



Orion³

TAKE ON EVERYDAY LIFE



Suitable for outdoor use

Orion3 Now Water Resistant

Our newly upgraded Orion3 is now rated IP55. Combining everything wearers already love about this intelligent microprocessor knee, Orion3 now gives wearers the confidence not to worry about getting wet or having to avoid situations or environments where water is present.

Designed to deliver a superior walking experience across multiple terrains and speeds, Orion3 is a hybrid hydraulic/pneumatic microprocessor knee suitable for activity level 3 walkers, that responds in a proportionate and natural way for greater stability, and smooth, easy, comfortable walking.

Key Features



Unique Pneumatic Swing

Our unique hybrid cylinder with its pneumatic swing allows for smooth flexion and extension, reducing effort needed from the wearer. By controlling the knee flexion resistance and providing the appropriate extension bias, wearers can be confident that their knee is where they want it to be, when they want it to be.



Safety

Irrespective of the situation, Orion3 constantly monitors and responds appropriately to help keep wearers safe. It allows variable cadence, and when loaded, progressively increases resistance as knee flexion increases, to aid walking down stairs or sitting. This setting is fully customisable to the wearer based on their residual limb strength.

In addition should it be needed, the stumble recovery mode is available.



Standing Support

Standing support stabilises the knee, whether fully extended or bent, irrespective of the terrain, enabling better posture and more balanced loading.



Water Resistant to IP55

Take on everyday situations knowing that our water resistant knee is tested to withstand conditions involving water.



Easy and Intuitive Programming

Programming is quick and simple and takes just two minutes, via the Apple or Android App. Additional options to fine tune are also available if required.



Blatchford

Enhanced Features Explained

Heel Rise Damping	By reducing excessive heel rise during rapid acceleration, Orion3 is more responsive to changes in walking speed and can adapt to rapid acceleration smoothly. Footwear changes to heavier shoes and the associated extra heel rise/knee flexion will be less noticeable to the user.
Stair Descent Recognition	Our stair descent recognition feature automatically detects stairs, increasing hydraulic support and pneumatic extension bias to make stair descent easier and more predictable.
Training Mode	Our training mode allows wearers to familiarise themselves with Orion3 and how it responds to stairs or steep slopes, in a safe and controlled environment. It also allows the wearer to confidently undertake activities with the reassurance that the knee will not enter standing mode should they hesitate.
Stance Flexion	An optional feature designed to provide a higher resistance to stance flexion when sudden deceleration occurs and causes the knee to be unstable. This provides the user with increased support resulting in more control and stability.
NEW IP-Rated	Internationally certified as water resistant, Orion3 provides IP55-level protection against the ingress of water. Equipped with efficient drainage holes, water automatically drains from the device. Wearers can confidently walk in nature no matter the weather.
Recessed, Covered and Magnetic Charging Point	The charging connector makes it easier to attach, and a more robust attachment makes it less likely that it will be accidentally knocked off. The rubber cover provides protection to the charging point when not on charge.
Optional Button Programming Function	If required Orion3 can also be programmed with a basic set-up using the buttons. This function is a handy alternative if Bluetooth® is not available.

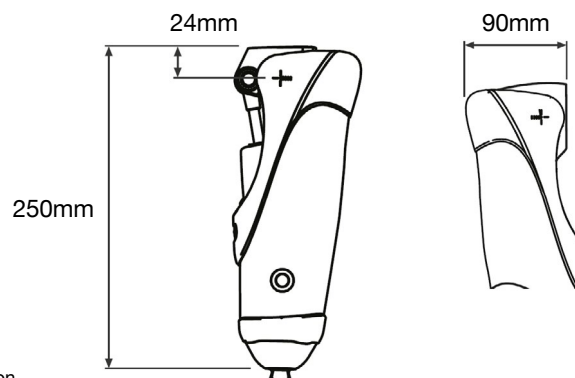


Technical Specification

Activity Level:	2, 3, 4*
Max User Weight:	125kg/275lbs
Weight of Unit:	1.5kg/3lbs 5oz
Build Height:	250mm/10in
Control Unit:	MPK Hydraulic/Pneumatic
Warranty:	36 months*

*Maximum user weight for activity Level 4 is 100kg.





*Warranty can be extended by 12, 24 or 36 months. Contact Customer Service for more information.



Ordering Information

Part Number	ORION3
Magnetic Charger Kit	239093V2A
Magnetic Charger Cover	236554
Cosmetic Cover	561101BLACK

Proximal Attachments

Rotating Pyramid with Shift	239017	
Non-rotating Pyramid with Shift	239089	
Rotating Female Pyramid with Shift	189128	
M36 Threaded Adapter	239092	

Reimbursement Codes

L-Codes L5828, L5845, L5848, L5856

www.blatchfordmobility.com

View Orion3 online

