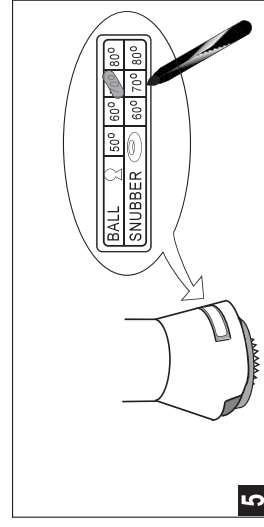
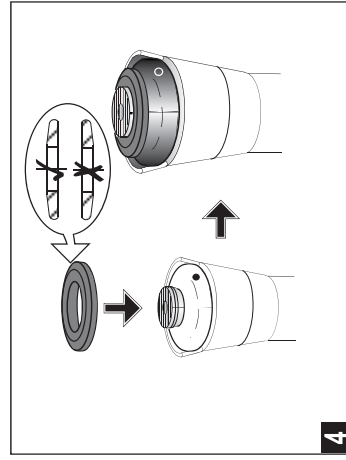
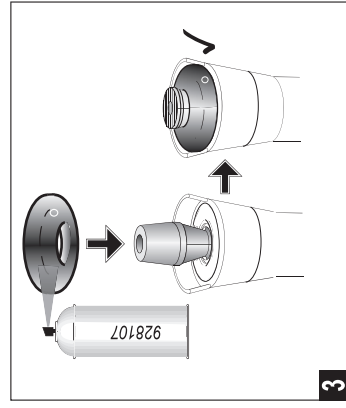
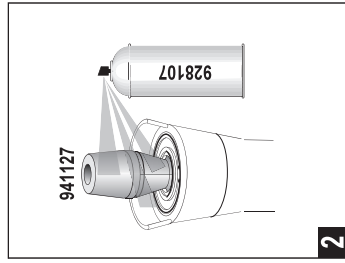
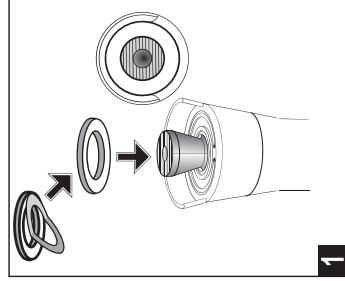
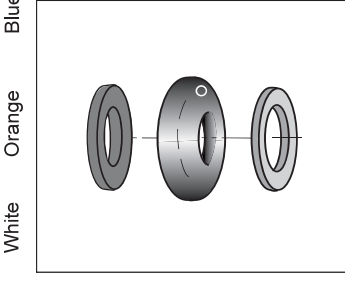


Standard Snubber Kits 409007 - 409009



- 409007 409008 409009
- 60° White
- 70° Orange
- 80° Blue

endolite
get busy living



Blatchford Products Limited and ENDOLITE are companies and trademarks of Chas. A. Blatchford and Sons Ltd.
Blatchford Products Ltd et ENDOLITE sont des entreprises et marques déposées de Chas. A. Blatchford & Sons Ltd.
Blatchford Products Limited und ENDOLITE sind Firmen und Warenzeichen von Chas. A. Blatchford and Sons Ltd.
Blatchford Products Limited e ENDOLITE sono società e marchi registrati di Chas. A. Blatchford and Sons Ltd.
Blatchford Products Limited y ENDOLITE son empresas y marcas registradas de Chas. A. Blatchford and Sons Ltd.



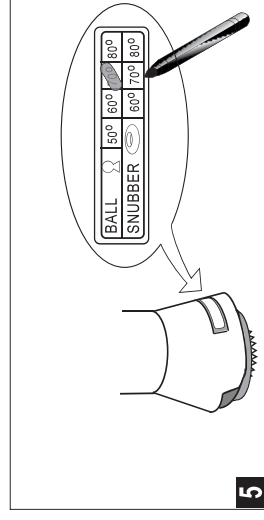
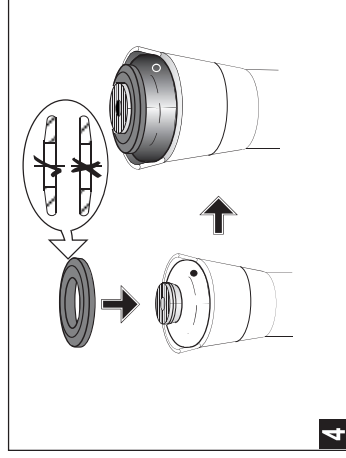
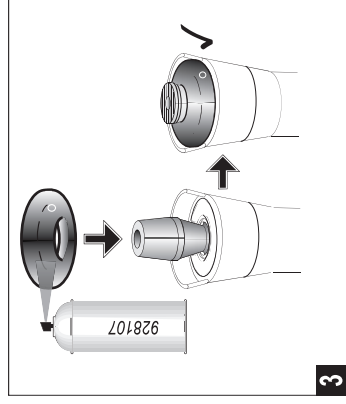
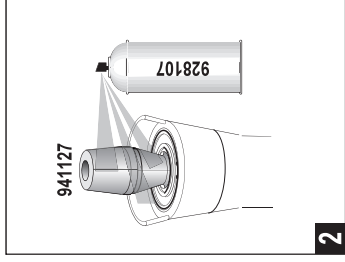
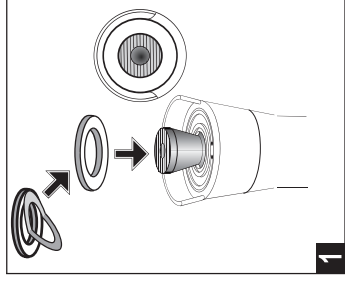
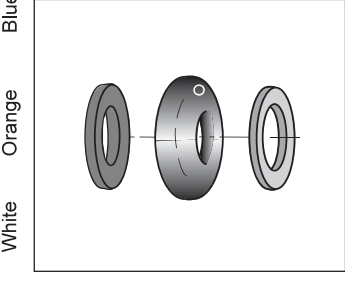
934331/06-0402

Standard Snubber Kits 409007 - 409009



- 409007 409008 409009
- 60° White
- 70° Orange
- 80° Blue

endolite
get busy living



Blatchford Products Limited and ENDOLITE are companies and trademarks of Chas. A. Blatchford and Sons Ltd.
Blatchford Products Ltd et ENDOLITE sont des entreprises et marques déposées de Chas. A. Blatchford & Sons Ltd.
Blatchford Products Limited und ENDOLITE sind Firmen und Warenzeichen von Chas. A. Blatchford and Sons Ltd.
Blatchford Products Limited e ENDOLITE sono società e marchi registrati di Chas. A. Blatchford and Sons Ltd.
Blatchford Products Limited y ENDOLITE son empresas y marcas registradas de Chas. A. Blatchford and Sons Ltd.



934331/06-0402

Blatchford Products Ltd

Lister Road, Basingstoke, Hampshire,
RG22 4AH, United Kingdom
Telephone: +44 (0)1256 316600
Facsimile: +44 (0)1256 479705
Email: sales@blatchford.co.uk
www.endolite.co.uk