

BMK2

Everyday freedom



It's not just changing how I walk,
it's changing how I live.

Thanks to its lightweight, compact design, the BMK2 is helping people regain their independence and their confidence. The BMK2 is a simple and affordable mechanical knee that provides stability, security and easy, smooth walking for K2 users.

Stance Flexion provides additional shock absorption and cushioning for greater comfort. Because the BMK2 is lighter and easier to use, it requires less energy for movement which leads to longer, more enjoyable walks.

BENEFITS

- Easy, smooth walking
- An affordable mechanical knee developed for K2 users
- Compact, lightweight stabilised knee
- Stance Flexion shock absorption
- Proven ESK technology
- Weight activated stance control
- Adjustable stance phase stability
- Progressive locking brake mechanism
- Adjustable Spring assisted swing control

Blatchford

BMK2

Independence that comes from easy, smooth walking



Features

The BMK2 is a cost effective, mechanical knee that can be paired with AvalonK2 to give the user a full limb system that delivers safety, confidence and ultimately independence.

SMOOTH AND COMFORTABLE

- Easy, smooth walking
- Stance Flexion provides additional shock absorption and cushioning
- Weight activated stance control for smooth activation and release
- Extension bias adjuster for more sensitive adjustments
- Engineered for better customisation

LIGHTWEIGHT AND EASY

- Lighter and easier to use
- Engineered to be compact, lightweight, and stabilised
- Requires less energy for movement leading to longer walks
- Walk longer and further with more stability and safety
- Reduced risk of tripping

RELIABLE STABILITY

- Adjustable spring assisted swing control
- Confident walking, ground clearance and standing
- Adjustable stance phase stability and progressive locking brake
- High stability and confidence at single walking speed
- Proven ESK technology with the stability adjusted for K2 users
- Easily customised to ensure perfect stability and swing behavior

Accessories

B-000021

Extension Buffer

239453

Extension Stop Kit

239553

Stabilising Mechanical Kit

Ordering Information

Part Number BMK2

Technical Specification

Build Height: Build height is 127mm (+130mm protrusion into the pylon)

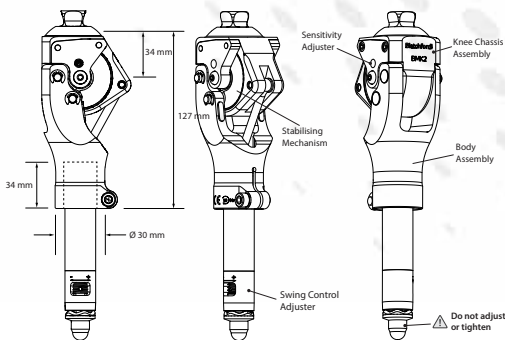
Knee Flexion: 130 degrees max knee flexion angle

Weight: 580g/1lb 5ozs

Activity Level: K2/low activity

Max. user weight: 125kg/275lb

Warranty: 24 months



An annual visual inspection is recommended. Check for visual defects that may affect proper function. Maintenance must be carried out by competent personnel. Before carrying out any new activities of daily living, please check with your clinician whether specific training is required.

Blatchford