

Echelon^{VT}

Instructions for Use

ECVT22L11S to ECVT30R84S
ECVT22L11SD to ECVT30R84SD

EN	Instructions for Use	2
SL	Navodila za uporabo	21
BG	Инструкции за употреба	40
HR	Upute za uporabu	59
SK	Návod na použitie	78
HU	Használati útmutató	97
EL	Οδηγίες χρήσης	116
LV	Lietošanas pamācība	135
LT	Naudojimo instrukcija	154
ET	Kasutusjuhend	173

Contents



Contents	2
1 Description and Intended Purpose	3
2 Safety Information	5
3 Construction	6
4 Function.....	7
5 Maintenance	7
6 Limitations on Use	8
7 Bench Alignment.....	9
7.1 Static Alignment.....	9
7.2 Biomimetic Alignment	10
7.3 Biomimetic Adjustment.....	11
7.4 Dynamic Adjustment.....	12
8 Fitting Advice.....	13
9 Maintenance Instructions	15
9.1 Foot Shell Removal.....	15
9.2 Heel & Toe Spring Replacement.....	15
9.3 Pylon Sleeve.....	17
10 Technical Data	18
11 Ordering Information	19

1 Description and Intended Purpose

These instructions are for use by the practitioner.

The term *device* is used throughout this document to refer to EchelonVT.

Application

The device is to be used exclusively as part of a lower limb prosthesis.

Intended for single user.

This device provides limited self-alignment of the prosthesis on varied terrain and following footwear changes. It is intended to improve on postural sway and symmetry while easing abnormal pressures at the socket interface. The device also includes a spring element capable of absorbing axial and rotational shocks intended to reduce sheer stresses at the residuum/socket interface.

Activity Level

This device is recommended for users that have the potential to achieve Activity Level 3 that may benefit from enhanced stability and an increase in confidence on uneven surfaces. The additional shock absorption and energy return supplied by the axial spring aims to improve comfort and performance.

There are exceptions and in our recommendation we want to allow for unique, individual circumstances. There may also be a number of users of Activity Levels 2 and 4* who would benefit from the enhanced stability offered by the device, but this decision should be made with sound and thorough justification.

Activity Level 1

Has the ability or potential to use a prosthesis for transfers or ambulation on level surfaces at fixed cadence. Typical of the limited and unlimited household ambulator.

Activity Level 2

Has the ability or potential for ambulation with the ability to traverse low-level environmental barriers such as curbs, stairs, or uneven surfaces. Typical of the limited community ambulator.

Activity Level 3

Has the ability or potential for ambulation with variable cadence. Typical of the community ambulator who has the ability to traverse most environmental barriers and may have vocational, therapeutic, or exercise activity that demands prosthetic utilization beyond simple locomotion.

Activity Level 4

Has the ability or potential for prosthetic ambulation that exceeds basic ambulation skills, exhibiting high impact, stress, or energy levels. Typical of the prosthetic demands of the child, active adult, or athlete.

(*Maximum user weight 100 kg and always use one higher spring rate category than shown in the Spring Set Selection table.)

Contraindications

This device may not be suitable for level 1 individuals or for competitive sports events, as these types of users will be better served by a specially designed prosthesis optimized for their needs. Ensure that the user has understood all instructions for use, drawing particular attention to the section regarding Maintenance.

Clinical Benefits

- Increased ground clearance reduces risk of trips and falls
- Improved balance through self-alignment
- Improved ground compliance for slope negotiation
- Improved kinetic gait symmetry
- Reduced loading on the residual limb
- Reduced loading rate on the residual limb
- Reduced back pain when twisting
- Increased walking speed

Spring Set Selection

Activity Level 3

44-52 (100-115)	53-59 (116-130)	60-68 (131-150)	69-77 (151-170)	78-88 (171-195)	89-100 (196-220)	101-116 (221-255)	117-125 (256-275)	kg (lbs)	User Weight
1	2	3	4	5	6	7	8		Foot Spring Set
●	●●	●●●	●●●●						Axial Shock Absorber Spring Rate
1	2	3	4						

Note... If in doubt choosing between two categories, choose the higher rate spring set. Foot Spring set recommendations shown are for transtibial users. For transfemoral users we suggest selecting a spring set one category lower, refer to Section 8 *Fitting Advice* to ensure satisfactory function and range of movement.

2 Safety Information



This warning symbol highlights important safety information which must be followed carefully.



Any changes in the performance or function of the limb e.g. restricted movement, non-smooth motion or unusual noises should be immediately reported to your service provider.



Always use a hand rail when descending stairs and at any other time if available.



The device is not suitable for extreme sports, running or cycle racing, ice and snow sports, extreme slopes and steps. Any such activities undertaken are done so completely at the users' own risk. Recreational cycling is acceptable.



Assembly, maintenance and repair of the device must only be carried out by a suitably qualified clinician.



The user should contact their clinician if their condition changes.



Ensure only suitably retrofitted vehicles are used when driving. All persons are required to observe their respective driving laws when operating motor vehicles.



To minimise the risk of slipping and tripping, appropriate footwear that fits securely onto the footshell must be used at all times.



After continuous use the ankle casing may become hot to the touch.



Avoid exposure to extreme heat and/or cold.



The user must not adjust or tamper with the setup of the device.

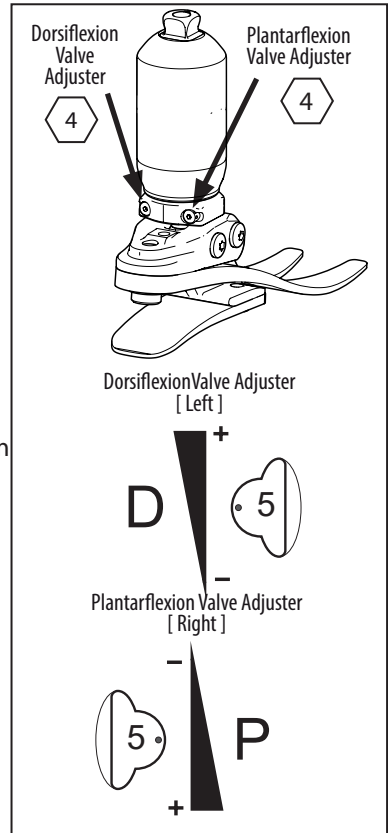
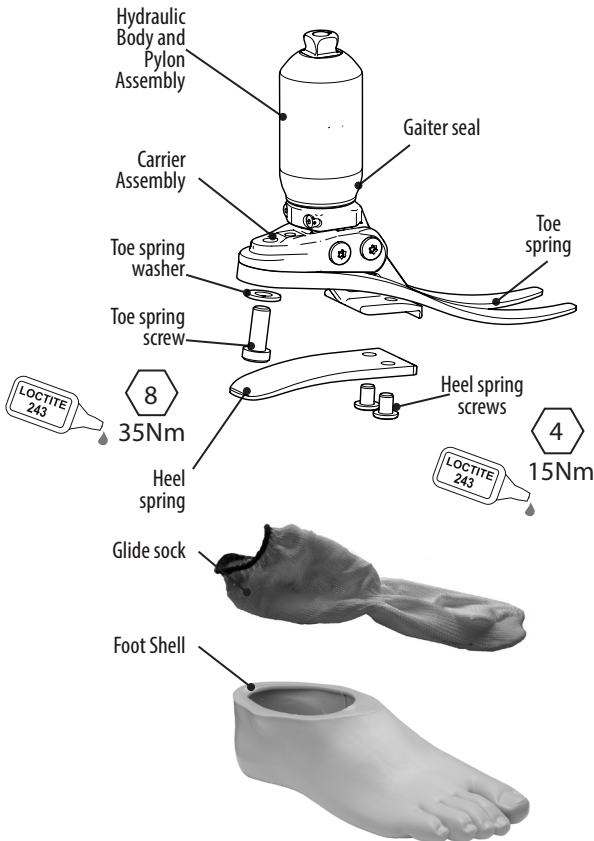


Be aware of finger trap hazard at all times.

3 Construction

Principal Parts

- Hydraulic Body and Pylon Assembly (Aluminium/St. Stl./Titanium)
- Carrier Assembly (Aluminium/St. Stl.)
- Heel & Toe Springs (e-Carbon)
- Spring attachment screws (St. Stl./Titanium)
- Glide Sock (UHM PE)
- Foot shell (PU)



4 Function

The device comprises a hydraulic body assembly containing adjustable hydraulic valves. The valves can be independently adjusted to increase and reduce hydraulic resistance to plantarflexion and dorsiflexion.

The proximal part of the hydraulic body assembly contains a spring component that allows the pyramid tube to deflect and/or rotate through a limited range under an axial and/or torsional load. When the load is removed the spring returns to its original position. The effect of this movement is to attenuate any shock forces that would otherwise be transmitted to the residuum/socket interface both in axial and rotational directions.

The hydraulic body assembly is connected to a carrier assembly via two pivot pins. Heel and toe springs are attached to the carrier using titanium and stainless steel screws. The foot is wrapped in a UHM PE sock which is in turn surrounded by a PU foot shell.

5 Maintenance

Maintenance must be carried out by competent personnel.

It is recommended that the following maintenance is carried out annually:

- Check for visual defects that may affect proper function
- Clean and relubricate bearing surface. Use Sapphire Endure (928015) or equivalent PTFE loaded grease (see Section 9 *Maintenance Instructions*).
- Remove the foot shell and glide sock, check for damage or wear and replace if necessary.
- Check all screws for tightness, clean and reassemble as necessary.
- Visually check the heel and toe springs for signs of delamination or wear and replace if necessary. Some surface damage may occur after a period of use, this does not affect the function or strength of the foot.

Any changes in performance of this device must be reported to the practitioner. Changes in performance may include:

- Increase in ankle stiffness
- Changes in axial or torsional stiffness
- Reduced ankle support (free movement)
- Softening of springs
- Excessive play in bearings
- Any unusual noise

The user should be advised to contact their practitioner if their condition changes.

The practitioner must also be informed of any changes in body weight and/or activity level.

The user should be advised that a regular visual check of the foot is recommended, signs of wear that may affect function should be reported to their service provider (e.g. significant wear or excessive discoloration from long term exposure to UV).

Cleaning

Use a damp cloth and mild soap to clean outside surfaces. Do not use aggressive cleansers.

6 Limitations on Use

Intended Life

A local risk assessment should be carried out based upon activity and usage.

Lifting Loads

User weight and activity is governed by the stated limits.

Load carrying by the user should be based on a local risk assessment.

Environment

Avoid exposing the device to corrosive elements such as water, acids and other liquids. Also avoid abrasive environments such as those containing sand for example as these may promote premature wear.

Exclusively for use between -15°C and 50°C (5°F to 122°F).



Suitable for outdoor use

7 Bench Alignment

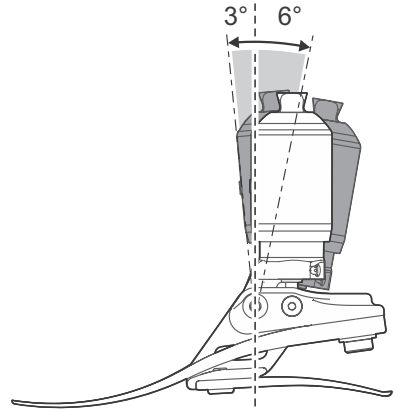
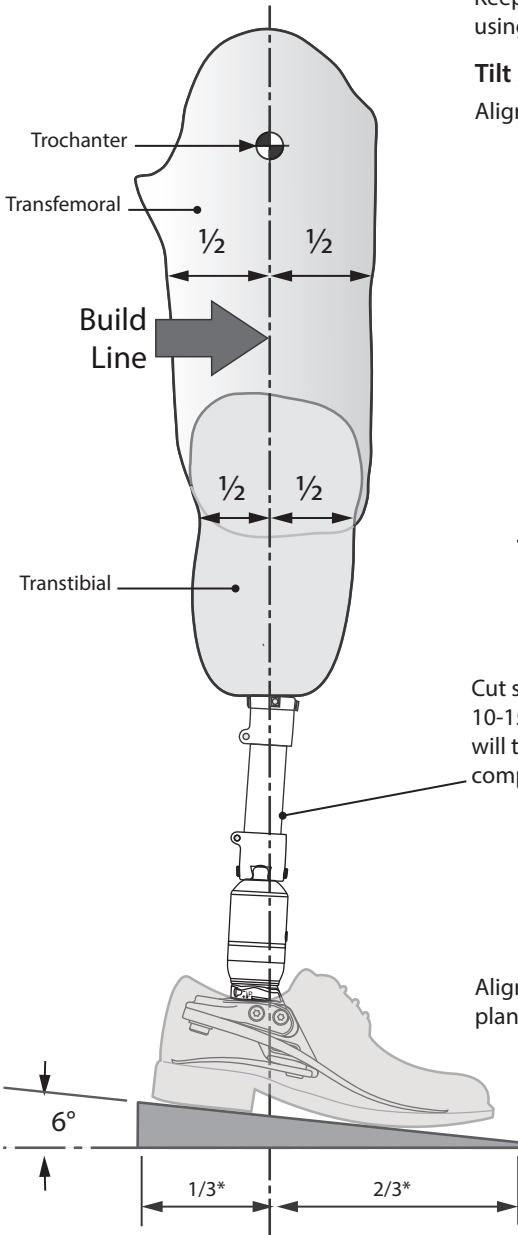
7.1 Static Alignment

Align transfemoral devices according to fitting instructions supplied with the knee.

Keep the build line between pivots as shown, using shift and/or tilt devices as necessary.

Tilt Setting

Align limb to achieve range of motion shown.



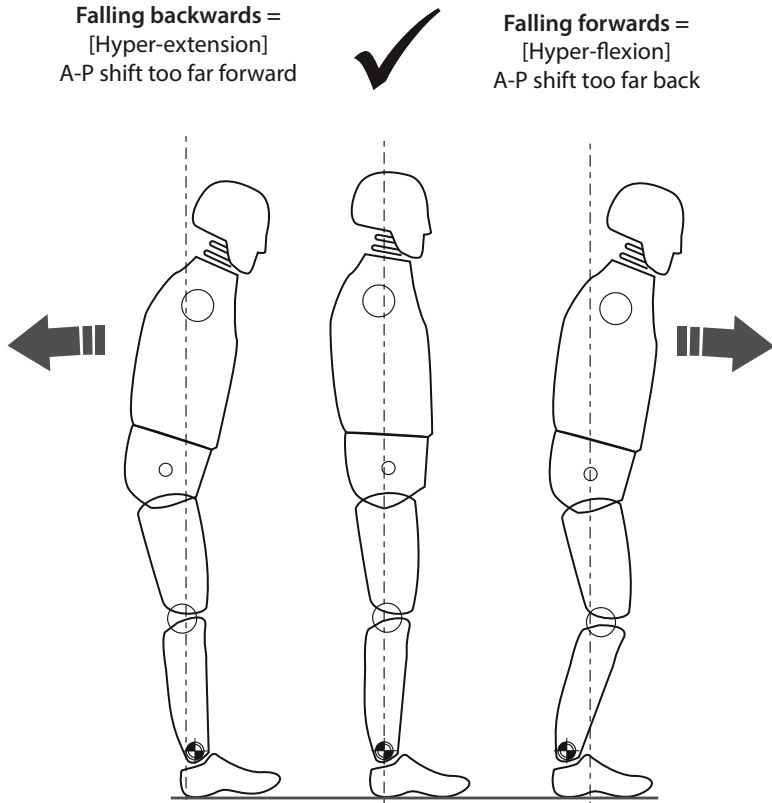
Cut shin to approximate length, allowing 10-15mm for final trimming. **Note:** trial length will typically include 10mm to allow for axial compression of heel, toe and spring (axial).

Align with shoe on and foot fully plantar flexed.

*Approximate ratio

7.2 Biomimetic Alignment

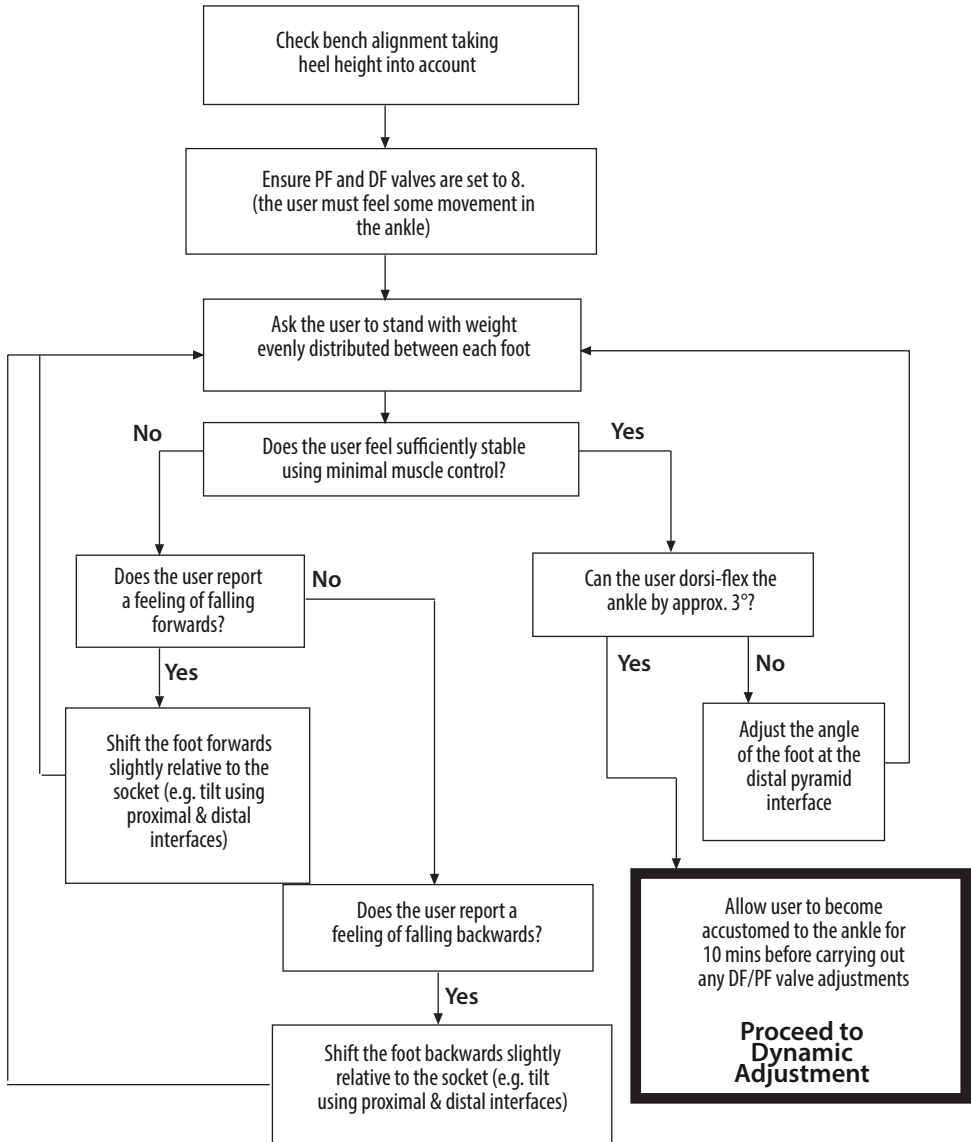
The aim of alignment is to achieve a “balance point” while standing and set the hydraulically damped range of motion. The aim of damping adjustment is to fine tune the ankle-foot roll-over stiffness characteristics until a comfortable gait is achieved. Due to the increased range of motion provided by the ankle the user may experience the need for more voluntary control and initially find the ankle disconcerting during setup. This should quickly pass upon completion of satisfactory setup.



Ensure that the user is relaxed and not resting on the dorsi-flexion limit.

7.3 Biomimetic Adjustment

Note... Carry out static alignment while ensuring the user has some means of support such as parallel bars. This is standing alignment only.



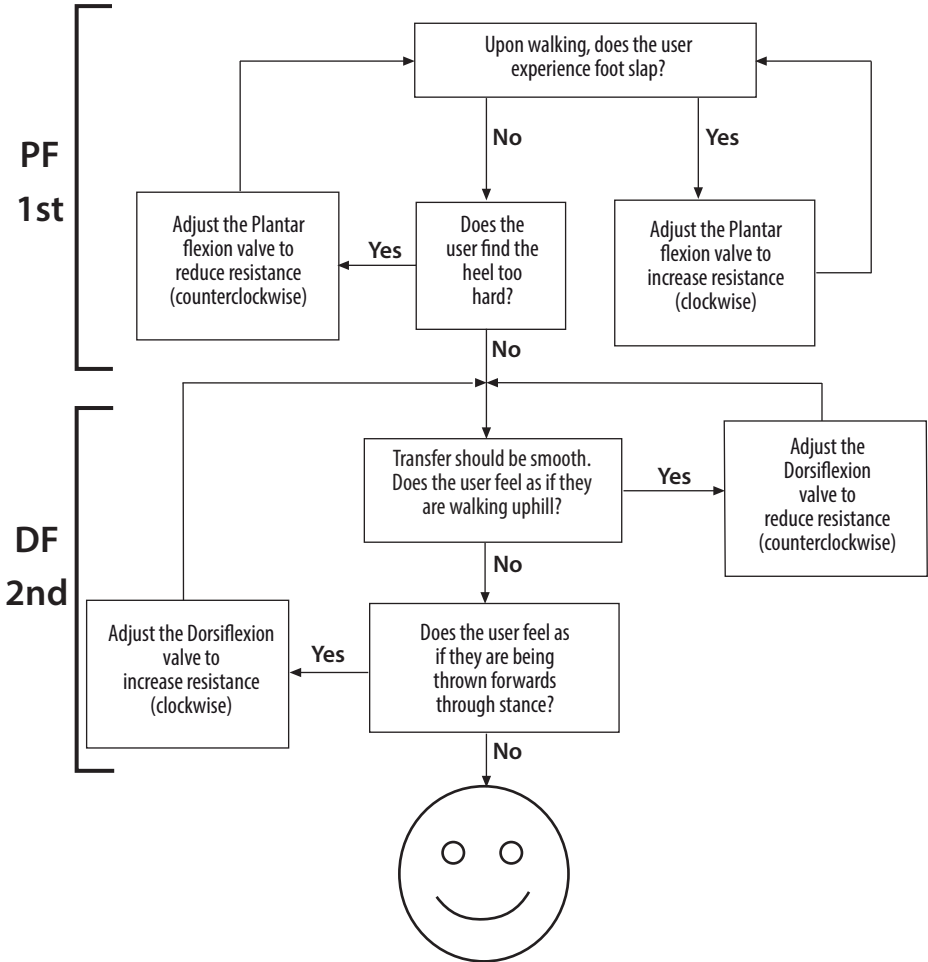
Use shift for static alignment and standing.

The device should encourage some degree of self adjustment to achieve a sense of balance for the user during standing.

7.4 Dynamic Adjustment

Adjustment of the hydraulic valves

The user should experience the ankle moving with the body through the gait cycle. There should be no effort exerted by the user to overcome the hydraulic resistance of the ankle.



Guidance

Following dynamic adjustment, trial the foot/ankle on ramps and stairs. Ensure the user is comfortable with the kind of terrain he/she may normally be expected to encounter. If the user reports any issues with comfort, usability or range of movement of the ankle, adjust accordingly.

8 Fitting Advice

The correct alignment (A-P position), range of motion (distribution of plantarflexion to dorsiflexion) and adjustment of the hydraulic settings are critical in achieving a smooth roll over and correct slope adaptation (see Section 7.3 *Biomimetic Adjustment*).

The device's axial springs are designed to work together with the heel and toe springs to give smooth progression for most users. The axial spring controls both compressive and torsional resilience and typical axial movement should be between 3-6mm for normal walking.

The device is available with a choice of 4 axial spring rates (see Section 1 for details).

Allow the user some time to become familiar with the initial set-up.

If after following the instructions below you still have problems with the function please contact the sales team in your area for advice.

Any of the following will have a negative effect on function and stability:

- Incorrect spring selection
- Incorrect A-P shift alignment
- Incorrect distribution of plantarflexion and dorsiflexion range

	<i>Symptoms</i>	<i>Remedy</i>
1.	<ul style="list-style-type: none">• Sinking at heel strike• Difficulty in achieving a smooth progression to mid stance• User feels they are walking up hill or forefoot feels excessively long	<ul style="list-style-type: none">• Increase plantarflexion resistance• Check A-P shift alignment; ensure foot is not too anteriorly positioned• Check distribution of plantarflexion and dorsiflexion movement; ensure that the plantarflexion range is not excessive• Check spring category is not too soft, if so fit higher rate spring
2.	<ul style="list-style-type: none">• Progression from heel strike to mid stance is too rapid• Difficulty in controlling the energy return from the foot at the heel strike (reduced knee stability)• User feels heel is too hard, fore foot is too short	<ul style="list-style-type: none">• Reduce plantarflexion resistance• Check A-P shift alignment; ensure foot is not too posteriorly positioned• Check distribution of plantarflexion and dorsiflexion movement; ensure that there is adequate plantarflexion range• Check the spring category is not too high for the weight and activity of the patient, if so fit lower rate spring

	<i>Symptoms</i>	<i>Remedy</i>
3.	<p>Heel contact and progression feel OK but:</p> <ul style="list-style-type: none"> • Forefoot feels too soft • Forefoot feels too short • User feels they are walking <i>down</i> hill, possibly with reduced knee stability • Lack of energy return 	<ul style="list-style-type: none"> • Increase dorsiflexion resistance • Check A-P shift alignment; ensure foot is not too posteriorly positioned • Check distribution of plantarflexion and dorsiflexion movement; ensure that there is not excessive dorsiflexion range • Check the spring category is not too soft for the weight and activity of the patient, if so fit higher rate spring
4.	<p>Heel contact and progression feel OK but:</p> <ul style="list-style-type: none"> • Forefoot feels too rigid • Forefoot feels too long • Feels like walking up hill 	<ul style="list-style-type: none"> • Reduce dorsiflexion resistance • Check A-P shift alignment; ensure foot is not too anteriorly positioned • Check distribution of plantarflexion and dorsiflexion movement; ensure that there is sufficient dorsiflexion range • Check the spring category is not too rigid for the weight and activity of the patient, if so fit lower rate spring

9 Maintenance Instructions



Be aware of finger trap hazard at all times.



Use appropriate health and safety equipment at all times including extraction facilities.

9.1 Foot Shell Removal

1

Insert shoe horn behind heel spring.



2

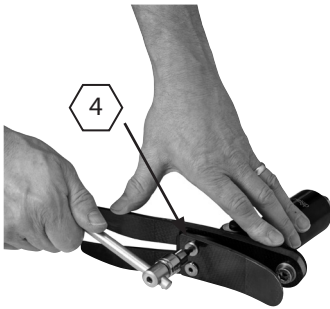
Rotate shoe horn as shown to remove shell.



9.2 Heel & Toe Spring Replacement

3

Remove heel spring and screws.



4

Remove toe spring screw, replace toe. Upon reassembly, use Loctite 243 (926012) and torque to 35Nm. Ensure toe spring is central to the carrier.



5

Re-assemble with replacement heel spring. Use Loctite 243 (926012) and torque to 15Nm.



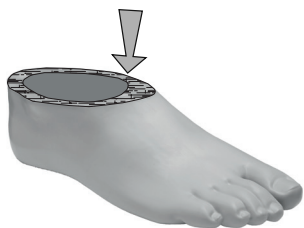
6

Cover appropriate lines on carrier with permanent black marker to leave springset number showing.



7

If a foam cosmesis is to be fitted, roughen top surface of foot shell to provide ideal bonding surface.

**8**

Lubricate toe and heel if required. (Foot shell is pre-lubricated).

**9**

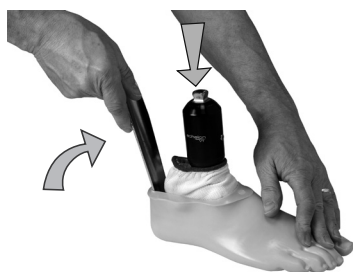
Toe spring location in foot shell.

10

Use a suitable lever to encourage the heel spring into location in the foot shell.

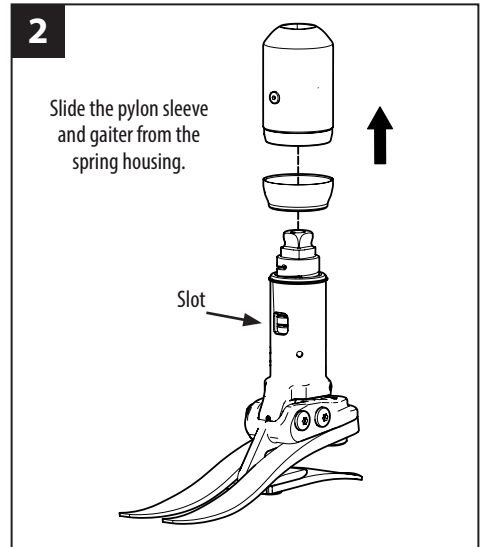
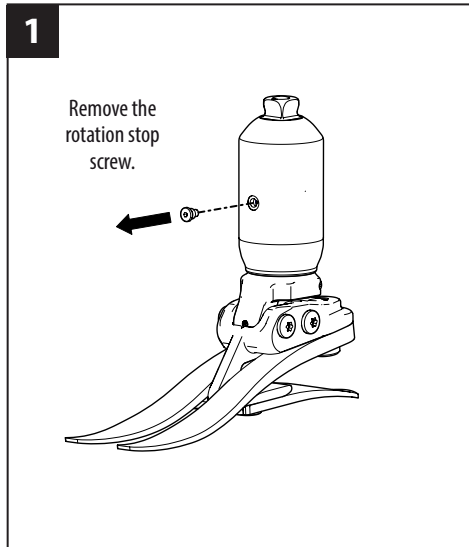
**11**

Ensure heel spring is engaged into slot.



If a cosmetic finish is required please contact a member of the Blatchford Sales Team.

9.3 Pylon Sleeve



Clean and relubricate bearing surface.

Use Sapphire Endure (928015) or equivalent PTFE loaded grease.

9.3.1 Re-assembly

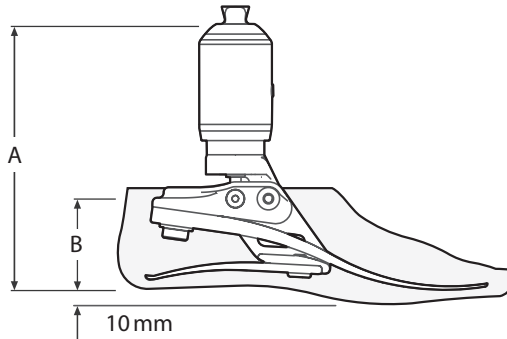
Ensure the rotation stop screw aligns with the slot in the pylon apply Loctite 243 and tighten.

Replacement Gaiter available Part No. 534003

10 Technical Data

Operating and Storage Temperature Range:	-15°C to 50°C (5°F to 122°F)
Component Weight (Size 26N):	1.05kg (2lb 3ozs)
Recommended Activity Level:	3
Maximum User Weight:	125kg (275lb)
Sizes:	22 to 30cm
Proximal Alignment attachment:	Male Pyramid (Blatchford) +/- 7°
Range of Ankle Movement:	6° plantar to 3° dorsiflexion
Maximum Rotation:	+/- 15°
Typical Axial Movement:	3- 6mm [maximum 10mm]
Build Height:*	22cm - 24cm 168mm 25cm - 26cm 173mm 27cm - 30cm 178mm
Heel Height:	10mm

Fitting Length



Size	A
22-24	168 mm
25-26	173 mm
27-30	178 mm

Size	B
22-26	65 mm
27-28	70 mm
29-30	75 mm

11 Ordering Information

Order example:

ECVT	25	L	N	3	2	S
	Size	Side	Width*	Spring Set	Axial	Sandal
	(L/R)	(N/W)	(N/W)	Category	Spring	Toe

Available from size 22 to size 30:

ECVT22L11S to ECVT30R84S

ECVT22L11SD to ECVT30R84SD

(add 'D' for a dark tone foot shell)

*Sizes 25-28 only. For all other sizes, omit the Width field.

e.g. ECVT25LN12S, ECVT22R34S, ECVT27RW33SD

Spring Kits				
Rate	Foot Sizes			
	Small (S)	Medium (M)	Large (L)	Extra Large (XL)
	22-24	25-26	27-28	29-30
Set 1	539801S	539810S	539819S	539828S
Set 2	539802S	539811S	539820S	539829S
Set 3	539803S	539812S	539821S	539830S
Set 4	539804S	539813S	539822S	539831S
Set 5	539805S	539814S	539823S	539832S
Set 6	539806S	539815S	539824S	539833S
Set 7	539807S	539816S	539825S	539834S
Set 8	539808S	539817S	539826S	539835S

Foot Shell (for dark add 'D')		
Size/Side	Narrow	Wide
22L	539038S	-
22R	539039S	-
23L	539040S	-
23R	539041S	-
24L	539042S	-
24R	539043S	-
25L	539044SN	539044SW
25R	539045SN	539045SW
26L	539046SN	539046SW
26R	539047SN	539047SW
27L	539048SN	539048SW
27R	539049SN	539049SW
28L	539050SN	539050SW
28R	539051SN	539051SW
29L	-	539052S
29R	-	539053S
30L	-	539054S
30R	-	539055S

Item	Part. No.
Glide Sock (Sizes 22-26)	531011
Glide Sock (Sizes 27-30)	532811
DF/PF Adjuster Key, 4 A/F Allen	940236
Gaiter	534003
Rotation stop screw	534005

Liability

The manufacturer recommends using the device only under the specified conditions and for the intended purposes. The device must be maintained according to the instructions for use supplied with the device. The manufacturer is not liable for any adverse outcome caused by any component combinations that were not authorized by them.

CE Conformity

This product meets the requirements of the European Regulation EU 2017/745 for medical devices. This product has been classified as a class I device according to the classification rules outlined in Annex VIII of the regulation. The EU declaration of conformity certificate is available at the following internet address: www.blatchford.co.uk



Medical Device



Single Patient – multiple use

Compatibility

Combination with Blatchford branded products is approved based on testing in accordance with relevant standards and the MDR including structural test, dimensional compatibility and monitored field performance.

Combination with alternative CE marked products must be carried out in view of a documented local risk assessment carried out by a Practitioner.

Warranty

This device is warranted for 36 months - foot shell 12 months - glide sock 3 months. The user should be aware that changes or modifications not expressly approved could void the warranty, operating licenses and exemptions. See Blatchford website for the current full warranty statement.

Reporting of Serious Incidents

In the unlikely event of a serious incident occurring in relation to this device it should be reported to the manufacturer and your national competent authority.

Environmental Aspects

Where possible the components should be recycled in accordance with local waste handling regulations.


Retaining the Packaging Label

You are advised to keep the packaging label as a record of the device supplied.

Trademark Acknowledgements

Echelon and Blatchford are registered trademarks of Blatchford Products Limited.

Manufacturer's Registered Address

 Blatchford Products Limited, Lister Road, Basingstoke RG22 4AH, UK.

Vsebina.....	21
1 Opis in namen uporabe	22
2 Varnostne informacije	24
3 Konstrukcija.....	25
4 Delovanje	26
5 Vzdrževanje	26
6 Omejitve uporabe	27
7 Poravnava sestava.....	28
7.1 Statična poravnava	28
7.2 Biomimetična poravnava	29
7.3 Biomimetična prilagoditev	30
7.4 Dinamična prilagoditev	31
8 Nasvet za namestitev	32
9 Navodila za vzdrževanje	34
9.1 Odstranjevanje ogrodja stopala	34
9.2 Zamenjava petne vzmeti in vzmeti za prst	34
9.3 Ovoj palice.....	36
10 Tehnični podatki	37
11 Podatki za naročanje.....	38

1 Opis in namen uporabe

Ta navodila so predvidena za zdravnika.

Izraz pripomoček se v tem dokumentu nanaša na EchelonVT.

Uporaba

Pripomoček je predviden izključno kot del proteze za spodnje okončine.

Predviden je za enega uporabnika.

Pripomoček zagotavlja omejeno samodejno prilagajanje različnim podlagam, tudi po zamenjavi obutve. Predviden je za izboljšanje telesne drže in simetrije ter zmanjšanje pritiska na ležišče.

Pripomoček ima tudi vzmetni element, ki lahko ublaži aksialne in rotacijske udarce ter zmanjša strižne sile na krn okončine.

Stopnja aktivnosti

Pripomoček je priporočen za uporabnike, ki imajo potencial doseči stopnjo aktivnosti 3 in bi jim koristila izboljšana stabilnost ter večja samozavest na neravnih površinah. Dodatno blaženje udarcev in povratek energije s pomočjo blažilne vzmeti izboljšata udobje ter delovanje.

Obstajajo izjeme in pri svojih priporočilih želimo upoštevati edinstvene okoliščine vsakega posameznika. Tako lahko pripomoček koristi tudi nekaterim uporabnikom s stopnjama aktivnosti 2 in 4*, ki bi jim koristila večja stabilnost, ki jo nudi pripomoček, vendar pa mora biti ta odločitev ustrezno utemeljena.

Stopnja aktivnosti 1

Ima sposobnost ali potencial uporabljati protezo za transferje ali premikanje po ravnih površinah z enakomernim korakom. Običajno omejeno in neomejeno pokretna oseba.

Stopnja aktivnosti 2

Ima sposobnost ali potencial za premikanje s sposobnostjo premagovanja nizkih ovir, kot so robniki, stopnice ali neravne površine. Običajno je to omejeno pokretna oseba v javnosti.

Stopnja aktivnosti 3

Ima sposobnost ali potencial za premikanje s spremenljivim korakom.

Običajno pokretna oseba, ki lahko premaga večino okoljskih ovir in morda opravlja poklicno, terapevtsko ali fizično aktivnost, ki zahteva uporabo proteze, ki presega zgolj preprosto gibanje.

Stopnja aktivnosti 4

Ima sposobnost ali potencial za hojo s protezo, ki presega osnovne sposobnosti hoje, in je izpostavljena močnim udarcem, visokim obremenitvam ali visokim ravnem energije. Običajno za zahteve za protezo otroka, aktivne odrasle osebe ali športnika.

(* Največja teža uporabnika je 100 kg. Ko izbirate sklop vzmeti, vedno uporabite naslednjo višjo kategorijo vzmeti od prikazane v tabeli.)

Kontraindikacije

Ta pripomoček ni primeren za uporabnike s stopnjo aktivnosti 1 ali za vrhunske športne prireditve, saj morajo ti uporabniki uporabljati proteze, razvite posebej za njihove potrebe. Poskrbite, da uporabnik razume vsa navodila za uporabo in ga še posebej opozorite na poglavje o vzdrževanju.

Klinične prednosti

- Večja razdalja od tal zmanjša tveganje padcev in spotikanja.
- Izboljšano ravnotežje zaradi samodejne poravnave.
- Izboljšana prilagoditev tlom na klančinah.
- Izboljšana kinetična simetrija pri hoji.
- Zmanjšana obremenitev na krn okončine.
- Zmanjšana obremenitev na krn okončine
- Manj bolečin v hrbtu pri obračanju
- Hitrejša hoja

Izbor sklopa vzmeti

Stopnja aktivnosti 3

44-52	53-59	60-68	69-77	78-88	89-100	101-116	117-125 kg	Teža uporabnika
1	2	3	4	5	6	7	8	Sklop stopalnih vzmeti
	●		●●		●●●		●●●●	Kategorija aksialne blažilne vzmeti
1		2		3		4		

Opomba... Če ste v dvomih in ne veste, katero kategorijo izbrati, izberite sklop vzmeti z višjo stopnjo. Priporočila za sklope stopalnih vzmeti so prikazana za transtibialne uporabnike.

Pri transfemoralnih uporabnikih priporočamo, da izberete sklop vzmeti eno kategorijo nižje; glejte poglavju 8 *Nasvet za namestitvev*, da zagotovite ustrezno delovanje in razpon gibanja.

2 Varnostne informacije



Ta opozorilni simbol poudarja pomembne varnostne informacije, ki jih je treba natančno upoštevati.



Morebitne spremembe v delovanju okončine, kot so npr. omejeno gibanje, zatikajoče gibanje ali neobičajni zvoki, je treba nemudoma javiti ponudniku storitve.



Pri hoji po stopnicah navzdol in vedno, ko je sicer mogoče, je treba uporabljati držala.



Pripomoček ni primeren za ekstremne športe, tekaške ali kolesarske dirke, športe na ledu in snegu ter za hojo po strminah in strmih stopnicah. Tovrstne aktivnosti uporabnik izvaja na lastno odgovornost. Rekreativno kolesarjenje je sprejemljivo.



Pripomoček lahko sestavi, vzdržuje in popravlja samo ustrezno usposobljen zdravnik.



Uporabniku naj se obrne na svojega zdravnika, če se njegovo stanje spremeni.



Poskrbeti je treba, da se za vožnjo uporabljajo samo ustrezno predelana vozila. Vse osebe morajo pri upravljanju motornih vozil upoštevati veljavne cestno-prometne predpise v svoji državi.



Za zmanjšanje nevarnosti zdrsa in spotika je treba vedno uporabljati ustrezno obutev, ki se dobro prilega na ogrodje stopala.



Po preostani uporabi lahko postane ohišje gležnja vroče na dotik.



Ne izpostavlajte ekstremni vročini in/ali mrazu.



Uporabnik ne sme prilagajati ali spreminjati nastavitve pripomočka.

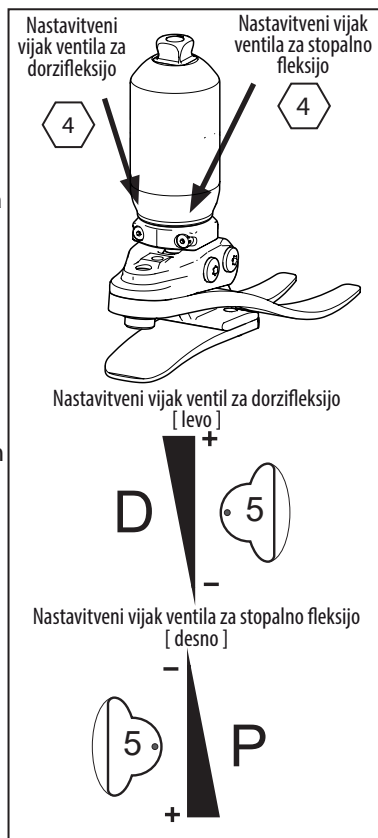
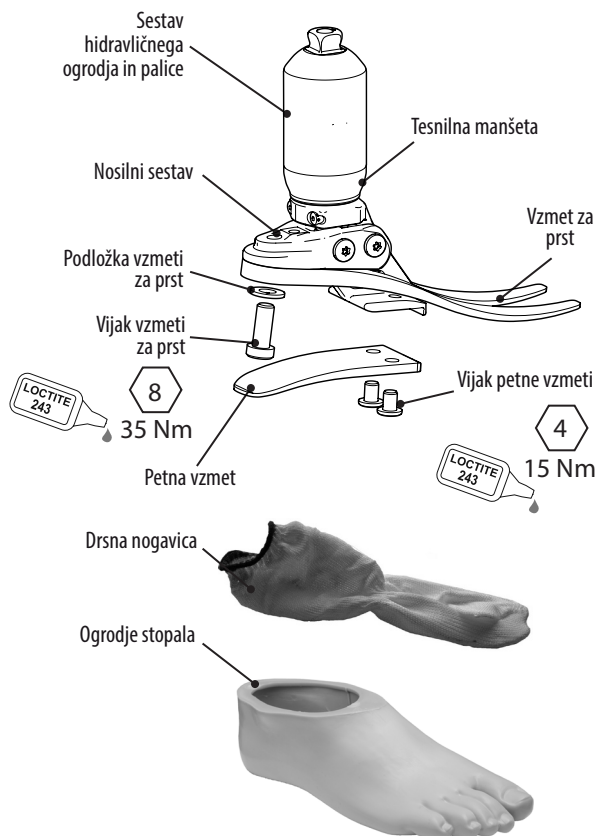


Bodite pozorni, saj obstaja nevarnost, da se vam prsti ujamejo.

3 Konstrukcija

Glavni deli

- Sestav hidravličnega ogrodja in palice (aluminij/nerjaveče jeklo/titan)
- Nosilni sestav (aluminij/nerjaveče jeklo)
- Petna vzmet in vzmet sprednjega dela stopala (e-karbon)
- Pritrditveni vijaki za vzmet (nerjaveče jeklo/titan)
- Drsna nogavica (UHM PE)
- Ogrodje stopala (PU)



4 Delovanje

Pripomoček je sestavljen iz sestava hidravličnega ogrodja z nastavljivimi hidravličnimi ventili. Ventile je mogoče individualno prilagajati ter povečati in zmanjšati hidravlični upor stopalne fleksije ter dorzifleksije.

Proksimalni del sestava hidravličnega ogrodja ima vzmetno komponento, ki cevi piramidnega adapterja omogoča blaženje in/ali zasuk v omejenem območju pri aksialni in/ali torzijski obremenitvi. Pri razbremenitvi se vzmet vrne v svoj prvotni položaj. Učinek tega gibanja ublaži sile zaradi udarcev, ki bi se sicer prenesle na krn okončine/ležišča tako v smeri osi kot v smeri vrtenja.

Sestav hidravličnega ogrodja je z dvema osema povezan z nosilcem. Petna vzmet in vzmet za prst sta pritrjeni na nosilni sestav z vijaki iz titana in nerjavečega jekla. Stopalo je ovito v nogavico iz UHM PE, ki je obdana z ogrodjem stopala iz poliuretana.

5 Vzdrževanje

Vzdrževanje lahko izvaja samo usposobljeno osebje.

Priporočeno je naslednje letno vzdrževanje:

- Preverite, ali so prisotne vidne poškodbe, ki bi lahko vplivale na pravilno delovanje.
- Očistite in znova namažite površino ležaja. Uporabite mazivo Sapphire Endure (928015) ali enakovredno mazivo s PTFE (glejte poglavje 9 *Navodila za vzdrževanje*).
- Snemite ogrodje stopala in drsno nogavico ter ju pregledajte, če sta kje poškodovana ali obrabljena in ju po potrebi zamenjajte.
- Preverite, ali so vsi vijaki čvrsto pritrjeni in jih očistite ter po potrebi znova vstavite.
- Vizualno pregledajte petno vzmet in vzmet za prst, če laminirani sloji kje odstopajo ali so obrabljeni in jih po potrebi zamenjajte. Po določenem času uporabe se lahko pojavijo površinske poškodbe, ki pa ne vplivajo na delovanje ali stabilnost stopala.

Morebitne spremembe v delovanju pripomočka je treba sporočiti zdravniku. Spremembe v delovanju lahko vključujejo:

- povečanje togosti gležnja;
- spremembe v aksialni ali torzijski togosti;
- manjšo oporo gležnja (prosto gibanje);
- zmeščanje vzmeti;
- prekomerna zračnost v ležajih;
- kakršenkoli neobičajen zvok.

Uporabniku je treba svetovati, da se naj obrne na svojega zdravnika, če se njegovo stanje spremeni.

Zdravnika je prav tako treba obvestiti o morebitnih spremembah v telesni teži in/ali stopnji aktivnosti.

Uporabniku je treba svetovati, da je stopalo priporočeno redno vizualno pregledovati in da je treba znake obrabe, ki lahko vplivajo na delovanje pripomočka, prijaviti ponudniku storitve (npr. večja obraba ali prekomerno razbarvanje zaradi dolgotrajne izpostavljenosti UV-žarkom).

Čiščenje

Z vlažno krpo in blagim milom očistite zunanje površine. Ne uporabljajte agresivnih čistil.

6 Omejitve uporabe

Predvidena uporabna doba

Na osnovi aktivnosti in uporabe je treba opraviti lokalno oceno tveganja.

Dviganje bremen

Glede na težo in aktivnost uporabnika veljajo navedene omejitve.

Pri prenašanju bremena mora uporabnik upoštevati lokalno oceno tveganja.

Okolje

Pripomočka ne izpostavljajte korozivnim elementom, kot so voda, kisline in druge tekočine. Prav tako se izogibajte abrazivnim okoljem, ki npr. vsebujejo pesek, ker povzročajo predčasno obrabo.

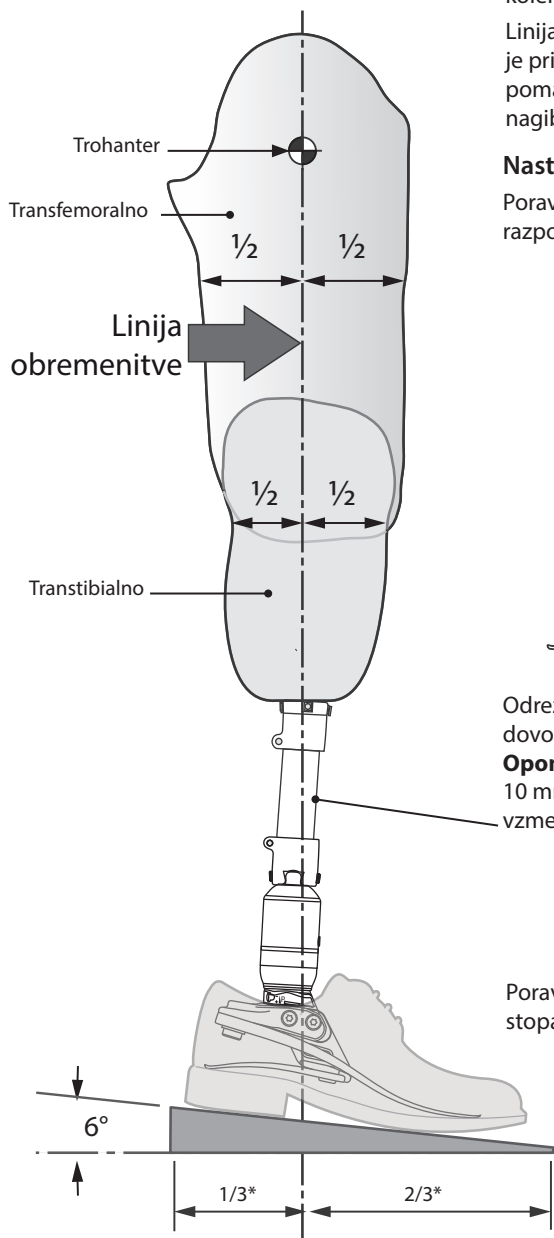
Samo za uporabo med -15 in 50 °C.



Primerno za uporabo na prostem

7 Poravnava sestava

7.1 Statična poravnava

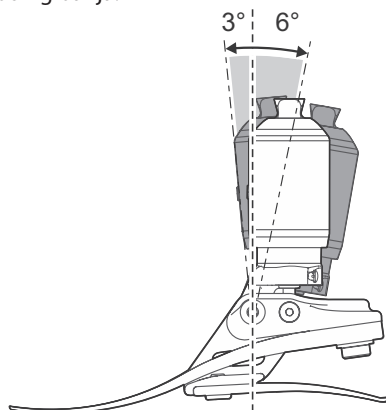


Poravnajte transfemoralne pripomočke v skladu z navodili za nameščanje, priloženimi kolenu.

Linija obremenitve naj bo med osema, kot je prikazano, pri čemer si lahko po potrebi pomagata s pripomočki za premikanje in/ali nagibanje.

Nastavitev nagiba

Poravnajte okončino, da dosežete prikazani razpon gibanja.



Odrežite golen na približno dolžino, pri čemer dovolite 10–15 mm za končno prilagoditev.

Opomba: poskusna dolžina običajno vključuje 10 mm za aksialno kompresijo pete, prsta in vzmeti (aksialno).

Poravnavanje izvajajte z obutim čevljem in stopalom v popolni stopalne fleksije.

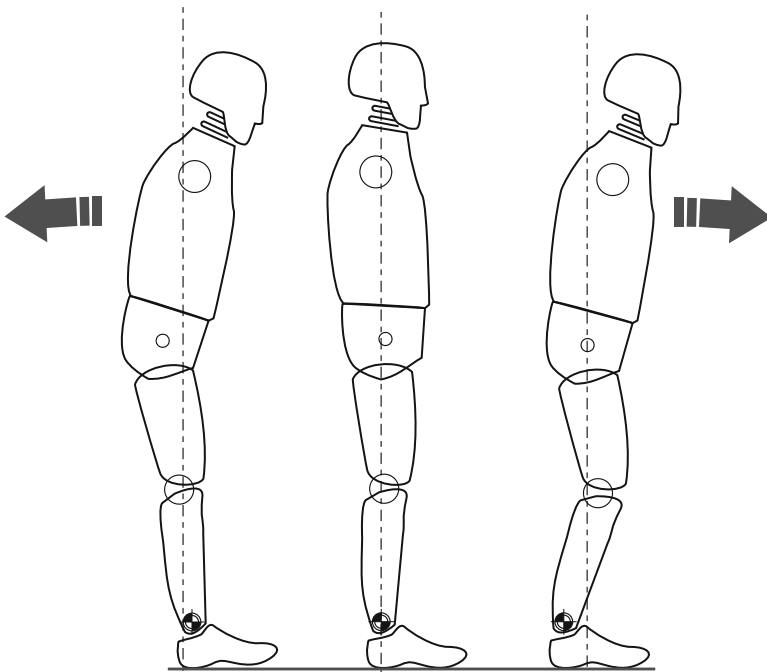
7.2 Biomimetična poravnava

Cilj te prilagoditve je doseči točko ravnotežja med stanjem in nastaviti hidravlično ublaženi razpon gibanja. Cilj prilagoditve blaženja je natančna nastavitve gibanja gležnja na stopalu, da bo hoja udobna. Ker gleženj omogoča veliko možnosti nastavitve, se mora uporabnik prepričati, da mu ni treba močneje kontrolirati gležnja. To preprečimo s pravilno nastavitvijo.

Padanje nazaj = [hiperekstenzija]
Premik A-P preveč naprej



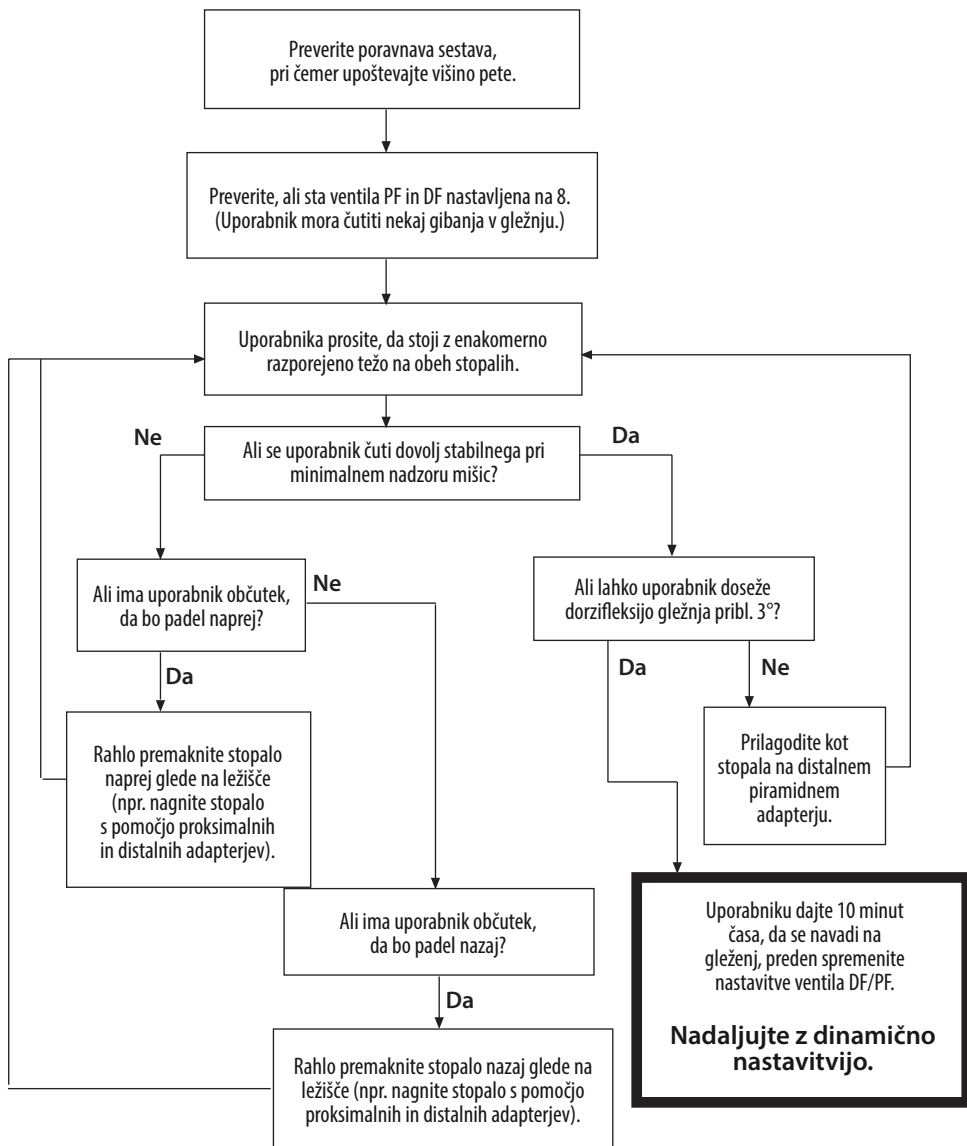
Padanje naprej = [hiperfleksija]
Premik A-P preveč nazaj



Preverite, ali je uporabnik sproščen in ni na meji dorzifleksije.

7.3 Biomimetična prilagoditev

Opomba... Pri izvajanju statične prilagoditve zagotovite, da se lahko uporabnik ob nekaj opre, kot je npr. vzporedna bradlja. To velja samo za prilagoditev med stanjem.



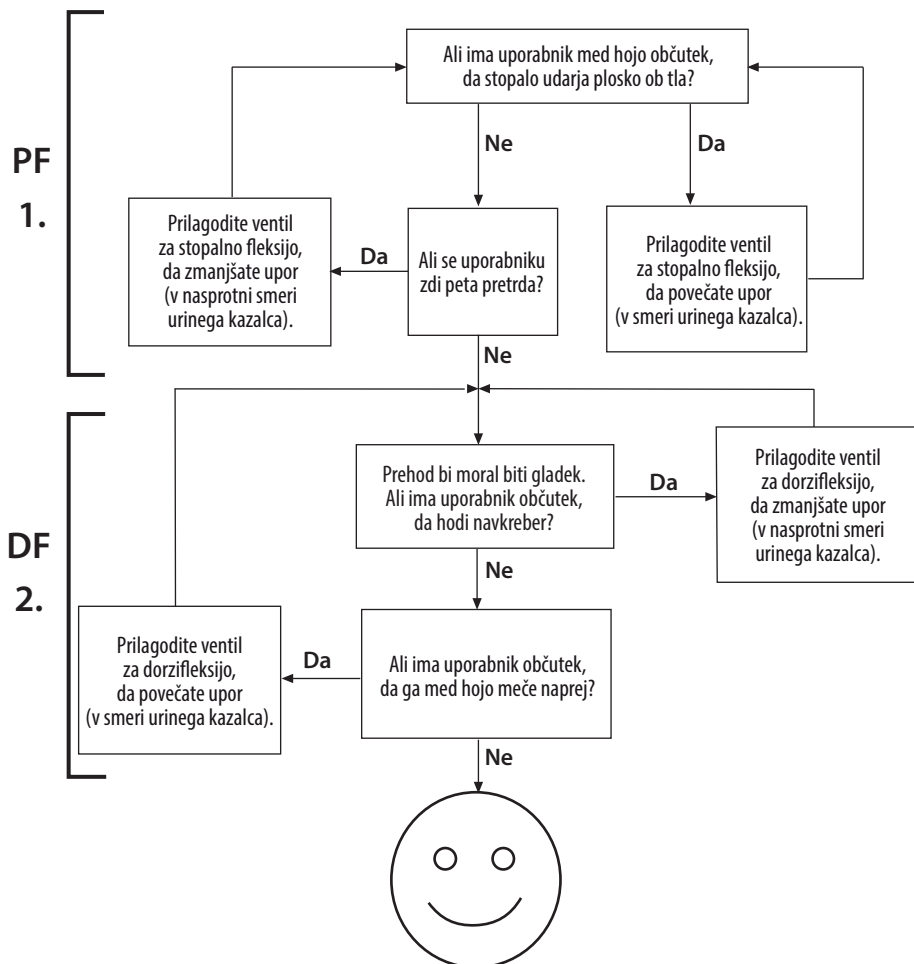
Uporabite premik za statično prilagoditev in fazo stanja.

Pripomoček bi moral uporabnika spodbujati k temu, da pridobi občutek ravnotežja med stanjem.

7.4 Dinamična prilagoditev

Nastavitev hidravličnih ventilov

Uporabnik bi moral med hojo čutiti sinhrono gibanje gležnja s telesom. Uporabnik se ne bi smel naprezati, da premaga hidravlični upor gležnja.



Napotki

Po dinamični nastavitvi preizkusite stopalo/gleženj na klančini in stopnicah. Zagotovite, da se uporabnik dobro počuti na podlagi, po kateri običajno hodi. Če uporabnik ni zadovoljen z udobjem, uporabnostjo ali razponom gibanja gležnja, ga ustrezno prilagodite.

8 Nasvet za namestitvev

Pravilna nastavitev (položaj A-P), razpon gibanja (razmerje med stopalno fleksijo in dorzifleksijo) in prilagoditev hidravličnih nastavitev so bistvenega pomena za doseganje gladkega prehoda in pravilne prilagoditve naklonu (glejte razdelek 7.3 *Biomimetična prilagoditev*).

Aksialne vzmeti pripomočka so zasnovane tako, da delujejo sinhrono s petno vzmetjo in vzmetjo za prst, kar večini uporabnikov zagotavlja enakomeren potek hoje. Aksialna vzmet nadzira tako kompresijsko kot torzijsko prožnost, tipični premik osi pa bi za normalno hojo moral znašati 3–6 mm.

Pripomoček je na voljo s 4 kategorijami osnih vzmeti (za podrobnosti glejte poglavje 1).

Uporabniku dovolite nekaj časa, da se navadi na začetno nastavitev.

Če imate kljub upoštevanju spodnjih navodil še vedno težave z delovanjem pripomočka, stopite v stik s prodajno ekipo v vašem območju.

Vse od naslednjega lahko negativno vpliva na delovanje in stabilnost:

- napačen izbor vzmeti,
- napačna poravnava A-P;
- napačno razmerje med stopalno fleksijo in dorzifleksijo.

	<i>Simptomi</i>	<i>Ukrep</i>
1.	<ul style="list-style-type: none">• Pogrezanje ob obremenitvi pete.• Težave pri nežnem in enakomernem prehodu v srednjo fazo koraka.• Uporabnik ima občutek, da hodi navkreber ali pa se sprednji del stopala zdi predolg.	<ul style="list-style-type: none">• Povečajte upor stopalne fleksije.• Preverite poravnavo A-P in se prepričajte, da stopalo ni preveč spredaj.• Preverite razmerje gibanja stopalne fleksije in dorzifleksije ter se prepričajte, da razpon gibanja stopalne fleksije ni prevelik.• Preverite, da izbrana kategorija vzmeti ni premehka; če je, izberite višjo kategorijo vzmeti.
2.	<ul style="list-style-type: none">• Prehod iz pete v srednjo fazo koraka je prehitер.• Težave pri nadziranju povratka energije stopala ob obremenitvi pete (zmanjšana stabilnost kolena).• Uporabniku ima občutek, da je peta pretrda in sprednji del stopala prekratek.	<ul style="list-style-type: none">• Zmanjšajte upor stopalne fleksije.• Preverite poravnavo A-P in se prepričajte, da stopalo ni preveč zadaj.• Preverite razmerje med gibanjem stopalne fleksije in dorzifleksije ter se prepričajte, da je razpon gibanja stopalne fleksije ustrezen.• Preverite, da izbrana kategorija vzmeti ni previsoka za težo in stopnjo aktivnosti bolnika ter po potrebi namestite vzmet nižje kategorije.

	<i>Simptomi</i>	<i>Ukrep</i>
3.	<p>Dotik pete in potek koraka sta v redu, vendar ima uporabnik občutek, da:</p> <ul style="list-style-type: none"> • je sprednji del stopala premehek; • je sprednji del stopala prekratek. • Uporabnik ima občutek, da hodi po klancu <i>navzdol</i>, morda z zmanjšano stabilnostjo kolena. • Pomanjkanje povratka energije. 	<ul style="list-style-type: none"> • Povečajte upor dorzifleksije. • Preverite poravnavo A-P in se prepričajte, da stopalo ni preveč zadaj. • Preverite razmerje med gibanjem stopalne fleksije in dorzifleksije ter se prepričajte, da razpon gibanja dorzifleksije ni prekomeren. • Preverite, da izbrana kategorija vzmeti ni premehka za težo in stopnjo aktivnosti bolnika ter po potrebi namestite vzmet višje kategorije.
4.	<p>Dotik pete in potek koraka sta v redu, vendar ima uporabnik občutek, da:</p> <ul style="list-style-type: none"> • Uporabnik ima občutek, da je sprednji del stopala preveč tog. • Uporabnik ima občutek, da je sprednji del stopala predolg. • Uporabnik ima občutek, da hodi navkreber. 	<ul style="list-style-type: none"> • Zmanjšajte upor dorzifleksije. • Preverite poravnavo A-P in se prepričajte, da stopalo ni preveč spredaj. • Preverite razmerje med gibanjem stopalne fleksije in dorzifleksije ter se prepričajte, da je razpon gibanja dorzifleksije zadosten. • Preverite, da izbrana kategorija vzmeti ni preveč toga za težo in stopnjo aktivnosti bolnika ter po potrebi namestite vzmet nižje kategorije.

9 Navodila za vzdrževanje



Bodite pozorni, saj obstaja nevarnost, da se vam prsti ujamejo.



Vedno uporabljajte primerno zaščitno opremo, vključno z odsesovalnimi napravami.

9.1 Odstranjevanje ogrodja stopala

1 Vstavite pripomoček za obuvanje za petno vzmet.

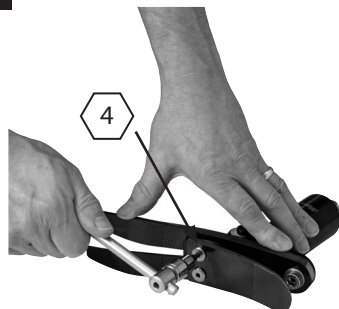


2 Zavrtite pripomoček za obuvanje, kot je prikazano, da odstranite ogrodje.

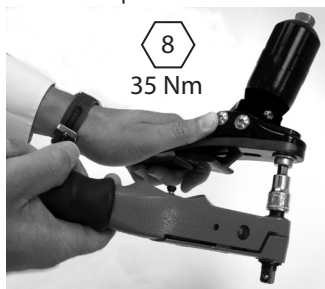


9.2 Zamenjava petne vzmeti in vzmeti za prst

3 Odstranite petno vzmet in vijake.



4 Odstranite vijak vzmeti za prste in zamenjajte prst. Po ponovni sestavi nanesite Loctite 243 (926012) in privijte z navorom 35 Nm. Poskrbite, da bo vzmet za prst na sredini nosilca.



5 Znova sestavite z nadomestno petno vzmetjo. Uporabite Loctite 243 (926012) in zategnite z navorom 15 Nm.



6 Prekrijte ustrezne linije nosilca z voodopornim črnim pisalom, vidna naj ostane samo številka sklopa vzmeti.



7

Če je treba namestiti penasto kozmetiko, pobrusite zgornjo površino ogrodja stopala, da bo hrapava in se bo bolje zlepila.

**8**

Po potrebi prst in peto namažite. (Ogrodje stopala je že namazano.)

**9**

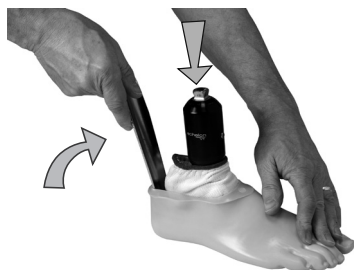
Položaj vzmeti za prst v ogrodju stopala.

10

S primernim vzvodom, kot je npr. žlica za obuvanje čevljev, petno vzmet potisnite v ustrezen položaj v ogrodju stopala.

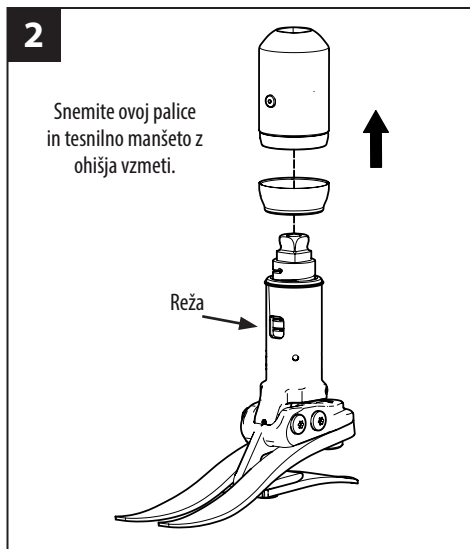
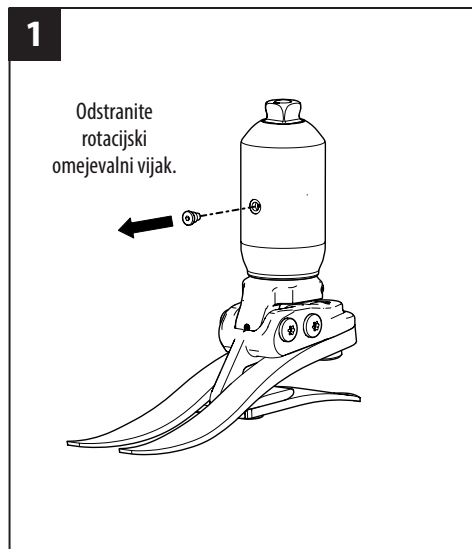
**11**

Preverite, ali se je petna vzmet zaskočila v režo.



Če je potrebna nadaljnja kozmetična obdelava, se obrnite na zastopnika prodajne ekipe Blatchford.

9.3 Ovoj palice



Očistite in znova namažite površino ležaja.

Uporabite mazivo Sapphire Endure (928015) ali enakovredno mazivo s PTFE.

9.3.1 Ponovno sestavljanje

Preverite, ali je rotacijski omejevalni vijak poravnan z režo na palici, nanesite Loctite 243 in ga privijte.

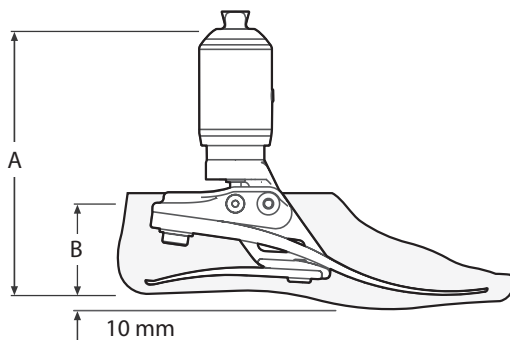
Na voljo je nadomestna tesnilna manšeta

št. dela 534003

10 Tehnični podatki

Temperaturno območje za uporabo in hrambo:	-15 do 50 °C
Teža komponent (<i>velikost 26N</i>):	1,05 kg
Priporočena stopnja aktivnosti:	3
Največja teža uporabnika:	125 kg
Velikosti:	22 do 30 cm
Proksimalna prilagoditev:	moški piramidni adapter (Blatchford) +/-7°
Razpon gibanja gležnja:	6° stopalna fleksija do 3° dorzifleksija
Največji zasuk:	+/-15°
Običajno aksialno gibanje:	3-6 mm [največ 10 mm]
Višina sestava*:	22-24 cm 168 mm 25-26 cm 173 mm 27-30 cm 178 mm
Višina pete:	10 mm

Namestitvena dolžina



Velikost	A
22-24	168 mm
25-26	173 mm
27-30	178 mm

Velikost	B
22-26	65 mm
27-28	70 mm
29-30	75 mm

11 Podatki za naročanje

Primer naročila:

ECVT	25	L	N	3	2	S
	Velikost	Stran (L/D)	Širina* (O/S)	Kategorija sklopa vzmeti	Aksialna vzmet	Sandal Toe

Na voljo od velikosti 22 do 30:
ECVT22L11S do ECVT30R84S
ECVT22L11SD do ECVT30R84SD

* Samo velikosti 25–28. Za vse ostale velikosti izpustite polje za širino.
npr. ECVT25LN12S, ECVT22R34S, ECVT27RW33SD

(dodajte »D« za temno
barvo ogrodja stopala)

Kategorija				
Sklopov vzmeti	Velikosti stopala			
	Majhno (S)	Srednje (M)	Veliko (L)	Zelo veliko (XL)
	22–24	25–26	27–28	29–30
Sklop 1	539801S	539810S	539819S	539828S
Sklop 2	539802S	539811S	539820S	539829S
Sklop 3	539803S	539812S	539821S	539830S
Sklop 4	539804S	539813S	539822S	539831S
Sklop 5	539805S	539814S	539823S	539832S
Sklop 6	539806S	539815S	539824S	539833S
Sklop 7	539807S	539816S	539825S	539834S
Sklop 8	539808S	539817S	539826S	539835S

Ogrodje stopala (za temno dodajte »D«)		
Velikost/ stran	Ozko	Široko
22L	539038S	
22R	539039S	
23L	539040S	
23R	539041S	
24L	539042S	
24R	539043S	
25L	539044SN	539044SW
25R	539045SN	539045SW
26L	539046SN	539046SW
26R	539047SN	539047SW
27L	539048SN	539048SW
27R	539049SN	539049SW
28L	539050SN	539050SW
28R	539051SN	539051SW
29L		539052S
29R		539053S
30L		539054S
30R		539055S

Artikel	Št. dela
Drsna nogavica (velikosti 22–26)	531011
Drsna nogavica (velikosti 27–30)	532811
Nastavitveni ključ DF/PF, imbusni ključ 4 A/F	940236
Tesnilna manšeta	534003
Rotacijski omejevalni vijak	534005

Odgovornost

Proizvajalec priporoča, da se pripomoček uporablja samo pri specifikiranih pogojih in v predvidene namene. Pripomoček je treba vzdrževati v skladu z navodili, priloženimi pripomočku. Proizvajalec ne prevzema odgovornosti za morebitne neželene posledice, nastale zaradi kakršnih koli kombinacij komponent, ki jih ni odobril.

Skladnost CE

Ta izdelek je v skladu z zahtevami evropske Uredbe EU 2017/745 o medicinskih pripomočkih. Ta izdelek je klasificiran kot izdelek razreda I v skladu z merili za klasifikacijo, navedenimi v prilogi VIII Uredbe. ES-izjava o skladnosti je na voljo na naslednjem spletnem naslovu: www.blatchford.co.uk



Medicinski pripomoček



Samo za enega bolnika –
za večkratno uporabo

Združljivost

Kombiniranje z izdelki znamke Blatchford je odobreno na osnovi preizkusov v skladu z ustreznimi standardi in uredbo o medicinskih pripomočkih, vključno s strukturnim testom, dimenzijsko združljivostjo in nadzorovano učinkovitostjo med uporabo.

Pri kombinacijah z alternativnimi izdelki z oznako CE je treba upoštevati dokumentirano lokalno oceno tveganja, ki jo opravi zdravnik.

Garancija

Ta pripomoček ima 36 mesecev garancije, ogrodje stopala 12 mesecev in drsna nogavica 3 mesece. Uporabnik se mora zavedati, da zaradi sprememb ali prilagoditev, ki niso izrecno odobrene, garancija, uporabne licence in izjeme morda ne bodo veljavne. Za trenutno celotno garancijsko izjavo obiščite spletno stran podjetja Blatchford.

Prijava resnih nesreč

V malo verjetnem primeru resnih nesreč, nastalih v povezavi s tem pripomočkom, je treba o dogodku obvestiti proizvajalca in pristojne oblasti v vaši državi.

Okoljski vidiki

Kjer je mogoče, je treba komponente reciklirati v skladu z veljavnimi lokalnimi predpisi za obravnavo odpadkov.

Nalepka na embalaži

Svetujemo vam, da nalepko na embalaži nameščenega pripomočka shranite za morebitno uporabo v prihodnje.

Izjave o blagovnih znamkah

Echelon in Blatchford sta registrirani blagovni znamki podjetja Blatchford Products Limited.

Uradni naslov proizvajalca



Blatchford Products Limited, Lister Road, Basingstoke RG22 4AH, Združeno kraljestvo.

Съдържание.....	40
1 Описание и предназначение.....	41
2 Информация относно безопасността.....	43
3 Устройство.....	44
4 Функция.....	45
5 Поддръжка.....	45
6 Ограничения в употребата.....	46
7 Центроване на стенд.....	47
7.1 Статично центроване.....	47
7.2 Биомиметично центроване.....	48
7.3 Биомиметично регулиране.....	49
7.4 Динамично регулиране.....	50
8 Съвети относно монтажа.....	51
9 Инструкции за поддръжка.....	53
9.1 Изваждане на облицовката на протезното стъпало.....	53
9.2 Смяна на пружини за пета и пръсти.....	53
9.3 Тръба на пилон.....	55
10 Технически данни.....	56
11 Информация за поръчка.....	57

1 Описание и предназначение

Настоящите инструкции са предназначени за ползване от лекаря/протезиста.

Терминът „изделие“ в настоящия документ се отнася за EchelonVT.

Приложение

Изделието се използва само като част от протеза за долен крайник.

Предназначено е за индивидуална употреба.

Това изделие осигурява ограничена възможност за самоцентриране на протезата на различни терени и след смяна на обувките. То е предназначено да подобри постуралния баланс и симетрия, като същевременно снижава всякакъв аномален натиск върху мястото на свързване на приемната гилза. Изделието включва също и пружинен елемент с възможност за поемане на аксиални и ротационни натоварвания, чието предназначение е да намали тангенциалното напрежение на мястото на контакт на остатъчния крайник с приемната гилза.

Ниво на мобилност

Настоящото изделие се препоръчва за потребители с потенциал да постигнат ниво на мобилност 3, за които би било от полза да разполагат с по-голяма стабилност и повишена сигурност върху неравни повърхности. Допълнителното поемане на удара и динамичната реакция, осигурени от аксиалната пружина, имат за цел да подобрят комфорта и функционирането.

Има и изключения и нашата препоръка е да се вземат предвид специфичните и индивидуални характеристики. Възможно е също и потребители с ниво на мобилност 2 и 4* да се възползват от увеличената стабилност, предлагана от изделието, но това решение трябва да бъде взето въз основа на разумна и задълбочена преценка.

Ниво на мобилност 1

Потребителят е в състояние или има потенциал да използва протезата за придвижване или ходене по равни повърхности при равномерен ритъм на крачката. Характерно за пациентите с ограничена и неограничена способност за движение.

Ниво на мобилност 2

Потребителят е в състояние или има потенциал да преодолява малки препятствия на околната среда, като бордюри, стъпала или неравни повърхности. Характерно за пациентите с ограничена способност за движение, които се придвижват на открито.

Ниво на мобилност 3

Потребителят е в състояние или има потенциал да се придвижва с различен ритъм на крачката. Характерно за пациенти, които се придвижват на открито без ограничения, които са способни да преодоляват повечето препятствия в околната среда и може да имат потребност от професионална, терапевтична или тренировъчна активност, която налага използване на протезата извън рамките на обикновеното придвижване.

Ниво на мобилност 4

Потребителят е в състояние или има потенциал да се придвижва с протезата извън рамките на базовите умения за придвижване, което е свързано с повишено натоварване, напрежение или ниво на енергия. Характерно за изискванията към протезите за деца, активни възрастни или спортисти.

(*Максимално тегло на потребителя от 100 кг, като винаги трябва да се използва пружина с една категория по-висока от показаното в таблицата за избор на комплект от пружини.)

Противопоказания

Възможно е изделието да не е подходящо за лица с ниво на мобилност 1 или за употреба при състезателни спортни събития, тъй като при такъв тип потребители по-подходяща е индивидуално проектирана протеза, оптимизирана според техните потребности.

Уверете се, че потребителят е разбрал всички инструкции за употреба, като му обърнете специално внимание на раздела относно поддръжката.

Клинични ползи

- Увеличен просвет до опорната повърхност, намаляващ риска от препъвания и падания
- Подобен баланс чрез самоцентриране
- Подобрена адаптация към опорната повърхност за преодоляване на наклони
- Подобрена кинетична симетрия на походката
- Намалено натоварване върху остатъчния крайник
- Намалена скорост на натоварване върху остатъчния крайник.
- Намалена болка в гърба при усукване
- По-висока скорост на вървене

Варианти за комплекти от пружини

Ниво на мобилност 3

44-52	53-59	60-68	69-77	78-88	89-100	101-116	117-125	kg	Тегло на потребителя
1	2	3	4	5	6	7	8		Комплект от пружини за протезно стъпало
	●		●●		●●●		●●●●		Категория на пружината на механизма за поемане на аксиално натоварване
1		2		3		4			

Забележка... При колебания в избора между две категории изберете по-високата категория комплект от пружини. Показаните препоръки за комплекти от пружини за протезно стъпало са за потребители с ампутация на крайника под коляното.

При потребители с ампутация в областта на бедрото препоръчваме да се избере комплект от пружини, който е с една категория по-нисък. Вижте раздел 8 *Съвети относно монтажа* с цел гарантиране на задоволително функциониране и диапазон на движение.

2 Информация относено безопасността



Този предупредителен символ обозначава важна информация относно безопасността, на която трябва да се обърне внимание.



Всякакви промени в движението или функционирането на крайника, като например ограничения в движението, скованост или необичайни шумове, трябва да се докладват незабавно на лекаря/протезиста.



Винаги използвайте парапет при слизване по стълби, както и при всеки друг случай, ако е възможно.



Изделието не е подходящо за екстремни спортове, бягане или състезателно колоездене, зимни спортове, големи наклони и стъпала. Предприемането на всякакви такива действия е изцяло на собствен риск на потребителите. Допуска се колоездене с рекреационна цел.



Монтирането, поддръжката и ремонтването на изделието трябва да се извършва единствено от медицински специалист с подходяща квалификация.



Препоръчва се потребителят да се свърже с медицинския специалист, ако състоянието му се промени.



Когато шофирате, използвайте само превозни средства с подходящо допълнително оборудване. Всички лица трябва да спазват съответните закони за движение по пътищата при управление на моторни превозни средства.



За да се сведе до минимум рискът от подхлъзване и препъване, върху облицовката на протезното стъпало трябва винаги да се носят подходящи плътно прилягащи обувки.



След продължителна употреба е възможно корпусът на глезена да стане горещ на допир.



Избягвайте излагане на прекалено високи и/или прекалено ниски температури.



Потребителят не трябва да регулира или да променя настройката на изделието.

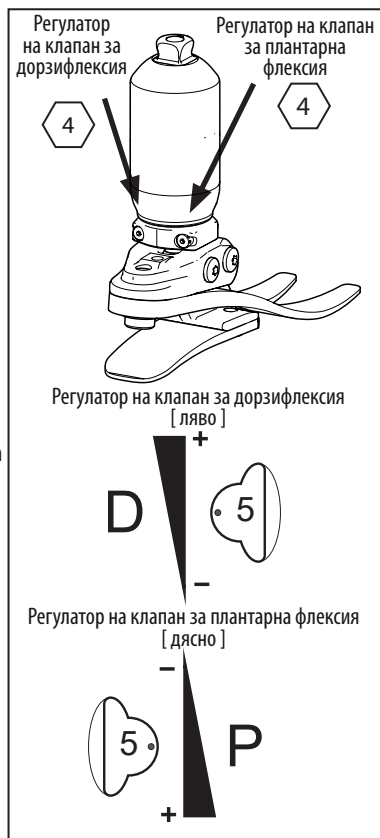


Необходимо е винаги да внимавате да не заклещите пръстите си.

3 Устройство

Основни части

- Хидравличен механизъм и пилон (алуминий/неръждаема стомана/титан)
- Носеща конструкция (алуминий/неръждаема стомана)
- Пружини за пета и пръсти (e-Carbon)
- Винтове за закрепване на пружини (неръждаема стомана/титан)
- Чорап за приплъзване (полиетилен UHMPE)
- Облицовка на протезно стъпало (полиуретан)



4 Функция

Изделието включва хидравличен механизъм, който съдържа регулируеми хидравлични клапани. Клапаните могат да се регулират независимо един от друг за увеличаване и намаляване на хидравличното съпротивление на плантарната флексия и дорзифлексията. Проксималната част на хидравличния механизъм включва пружинен елемент, който позволява на тръбата с пирамидата да променя посоката на движение и/или да се върти в ограничен диапазон при аксиално и/или торзионно натоварване. При премахване на натоварването пружината се връща към първоначалната си позиция. Ефектът от това движение е отслабване на силата на удара, която в противен случай би се предала към мястото на контакт на остатъчния крайник с приемната гилза както в аксиална, така и в ротационна посока.

Хидравличният механизъм е свързан към носеща конструкция чрез два шарнирни щифта. Пружините за пета и пръсти са закрепени за носещата конструкция чрез винтове от титан и неръждаема стомана. Стъпалото е увито в чорап от полиетилен UHMPE и върху него е поставена облицовка за протезно стъпало от полиуретан.

5 Поддръжка

Поддръжката трябва да се извършва от компетентно лице.

Препоръчва се всяка година да се извършва следната поддръжка:

- Проверете за дефекти във външния вид, които биха могли да повлияят на правилното функциониране
- Почистете и смажете отново носещата повърхност. Използвайте Sapphire Endure (928015) или еквивалентна грес с PTFE (вижте Раздел 9 *Инструкции за поддръжка*).
- Отстранете облицовката на протезното стъпало и чорапа за приплъзване, проверете за нарушена цялост или износване и сменете, ако е необходимо.
- Проверете затегнатостта на всички винтове и ги почистете и монтирайте отново, ако е необходимо.
- Проверете визуално пружините за пета и пръсти за признаци на разслояване или износване и ги заменете, ако е необходимо. Възможно е след известен период на употреба да се получат дефекти по повърхността им, но това не влияе на функционирането или якостта на протезното стъпало.

Всякакви промени във функционирането на изделието трябва да се докладват на лекаря/ протезиста. Промените във функционирането на изделието може да включват:

- затруднено движение на глезена;
- промени в аксиалната или торзионната твърдост;
- намалена опора на глезена (свободно движение);
- разхлабване на пружините;
- прекалено голям луфт в лагерите;
- необичаен шум.

Препоръчва се потребителят да се свърже със своя лекар, ако състоянието му се промени. Лекарят/протезистът трябва да бъде информиран и за всякакви промени в телесното тегло и/или нивото на мобилност.

Потребителят трябва да бъде информиран, че е препоръчителна редовна визуална проверка на протезното стъпало, както и че всякакви признаци на износване, които може да повлияят на функционирането, трябва да бъдат докладвани на лекаря/протезиста (напр. прекомерно износване или промяна на цвета поради продължително излагане на ултравиолетови лъчи).

Почистване

Използвайте навлажнена кърпа и мек сапун за почистване на външните повърхности.

Не използвайте агресивни почистващи препарати.

6 Ограничения в употребата

Срок на експлоатация

Необходимо е извършване на индивидуална оценка на риска въз основа на мобилността и употребата.

Повдигане на тежести

Ограниченията зависят от теглото на потребителя и неговото ниво на мобилност. Носенето на тежести от потребителя трябва да бъде според индивидуалната оценка на риска.

Околна среда

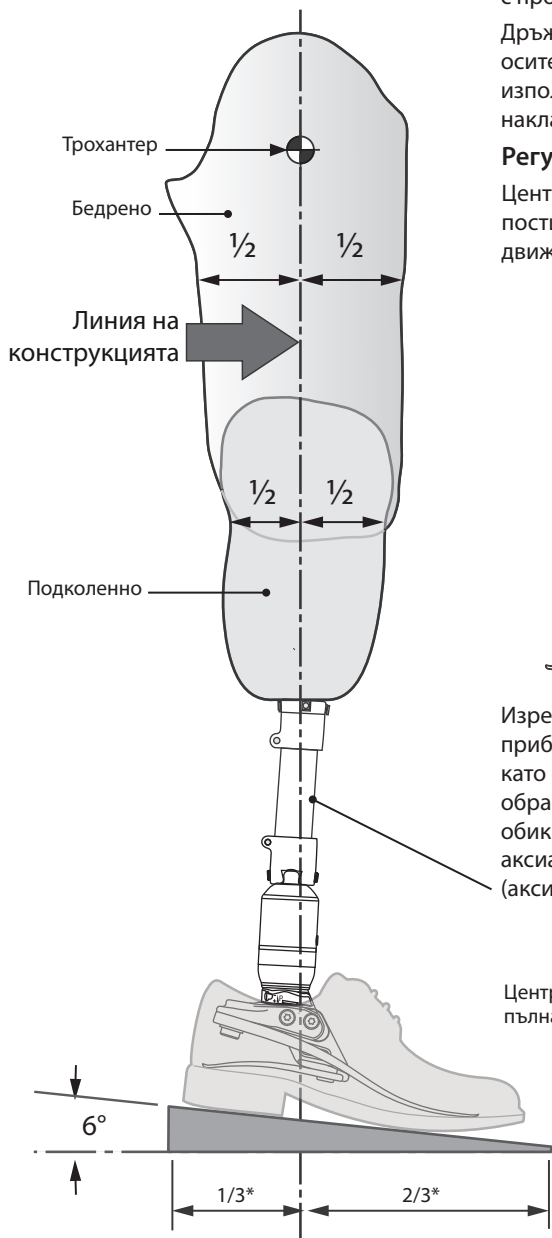
Избягвайте излагане на изделието на корозивни елементи, като вода, киселини и други течности. Освен това избягвайте абразивна среда, например среда, съдържаща пясък, тъй като това може да доведе до преждевременно износване. Изделието може да се използва само при температура между -15°C и 50°C .



Подходящо за употреба на открито

7 Центроване на стэнд

7.1 Статично центроване

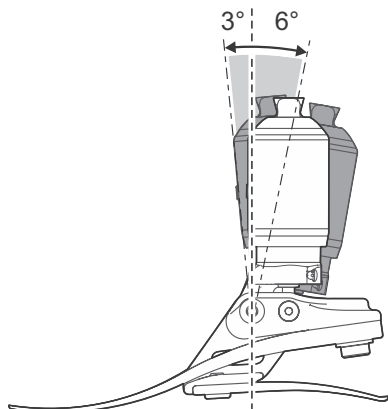


Центровайте бедрените компоненти според инструкциите за монтаж, предоставени с протезното коляно.

Дръжте линията на конструкцията между осите на въртене, както е показано, като използвате устройства за изместване и/или накланяне, ако е необходимо.

Регулиране на наклона

Центровайте крайника така, че да постигнете показания диапазон на движение.



Изрежете тръбата на пищяла до приблизително необходимата дължина, като оставите 10-15 мм за окончателната обработка. **Забележка:** пробната дължина обикновено е с 10 мм по-голяма, за да поеме аксиалната компресия на петата, пръстите и (аксиалната) пружина.

Центровайте с поставена обувка и стъпало в пълна плантарната флексия

*Приблизително съотношение

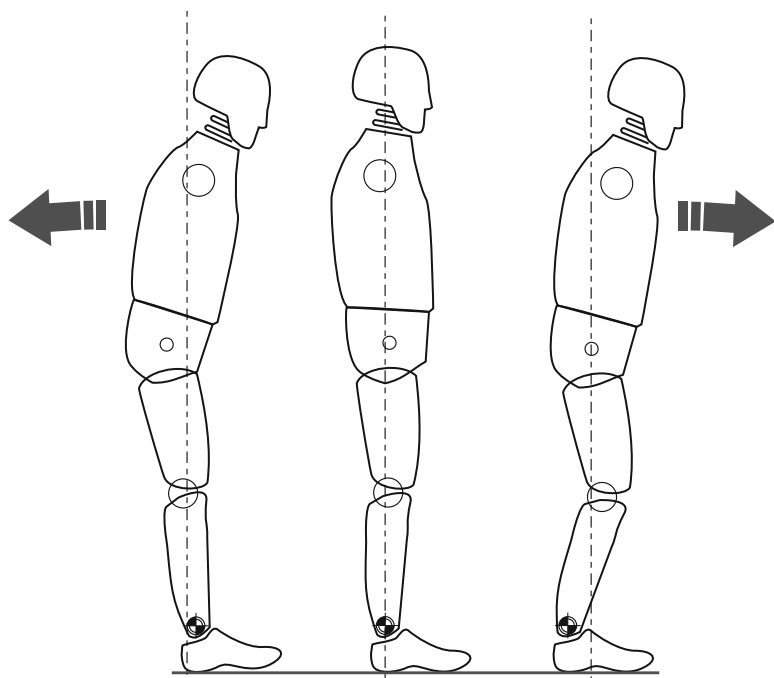
7.2 Биомиметично центроване

Целта на центроването е да се постигне „точка на баланс“ в изправено положение и да се регулира диапазонът на движение с хидравличния амортизатор. Целта на регулирането чрез хидравличния амортизатор е фина настройка на характеристиките на твърдост на претъркалянето глезен - стъпало до постигане на удобна походка. Поради увеличения диапазон на движение на глезена потребителят може да усети нужда от допълнителен волеви контрол и първоначално да изпита усещане за несигурност по време на настройването. Това усещане би трябвало да премине бързо след постигане на задоволителна настройка.

Залитане назад = [хиперекстензия]
Предно-задното изместване (А-Р)
е твърде напред



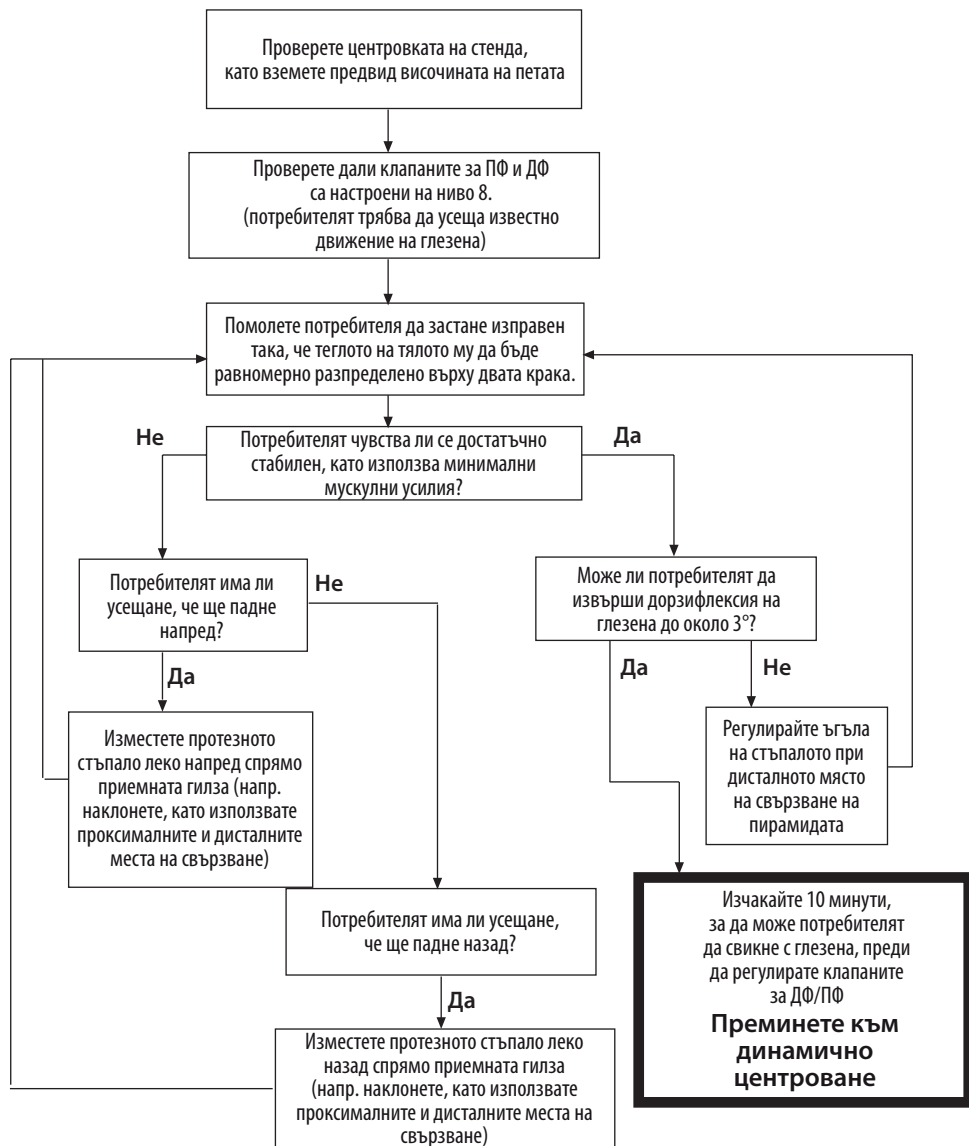
Залитане напред = [хиперфлексия]
Предно-задното изместване (А-Р)
е твърде назад



Уверете се, че потребителят е отпуснат и не се опира на границата на дорзифлексия.

7.3 Биомиметично регулиране

Забележка... Статичното центроване трябва да се извърши, докато потребителят използва някакъв вид опора, например успоредни перила. Това е центроване само в изправено положение.



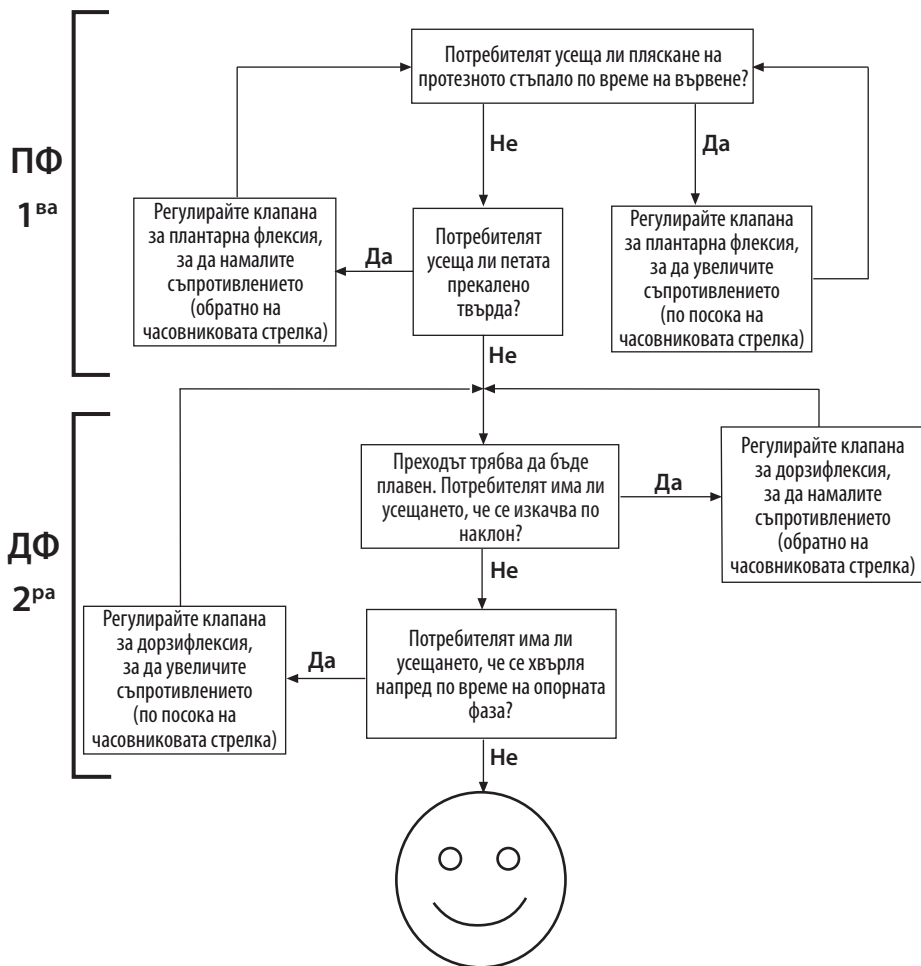
Използвайте изместване за статично центроване и центроване в изправено положение.

Изделието трябва да дава известна възможност за самоцентриране за създаване на усещане за равновесие у потребителя в изправено положение.

7.4 Динамично регулиране

Регулиране на хидравличните клапани

Потребителят трябва да усеща, че глезенът се движи заедно с тялото по време на цикъла на походка. Той не трябва да полага усилие, за да преодолее хидравличното съпротивление на глезена.



Насоки

След извършване на динамично центроване изпробвайте функционирането на стъпалото/ глезена върху рампи и стъпала. Уверете се, че потребителят се чувства удобно при вървене върху терен, с какъвто се очаква обичайно да има досег. Ако потребителят съобщи за проблеми във връзка с, свързани с комфорта, експлоатационните качества или диапазона на движение на глезена, направете съответните корекции в настройката.

8 Съвети относно монтажа

Правилното центроване (предно-задна (А-Р) позиция), диапазонът на движение (разпределението на плантарна флексия и дорзифлексия) и регулирането на хидравличните настройки са от критично значение за постигане на плавно движение и правилно адаптиране към наклона (вижте т. 7.3 *Биомиметично регулиране*).

Аксиалните пружини на изделието са проектирани така, че да функционират заедно с пружините за пета и пръсти, за да осигурят плавно придвижване при повечето потребители. Аксиалната пружина контролира едновременно компресивната и торзионната еластичност, като типичното аксиално движение трябва да бъде 3-6 мм при нормално ходене.

Изделието се предлага с възможност за избор от 4 категории аксиални пружини (вижте раздел 1 за повече информация).

Предвидете известно време, за да може потребителят да се запознае с първоначалната настройка.

Ако след прилагане на инструкциите по-долу продължавате да имате проблеми с функционирането, свържете се с местния екип по продажби за консултация.

Всеки от следните фактори оказва неблагоприятен ефект върху функционирането и стабилността:

- неправилен избор на пружини;
- неправилно центроване на предно-задното (А-Р) изместване;
- неправилно разпределение на диапазона на плантарна флексия и дорзифлексия.

	Признаци	Решение
1.	<ul style="list-style-type: none">• Потъване на петата при докосване на повърхността• Затруднено постигане на плавен преход към средата на опорната фаза• Потребителят има усещането, че се изкачва по наклон или усеща предната част на стъпалото прекалено дълга	<ul style="list-style-type: none">• Увеличете съпротивлението на плантарната флексия• Проверете центроването на А-Р изместването. Уверете се, че стъпалото не е позиционирано прекалено напред.• Проверете разпределението на движението при плантарна флексия и дорзифлексия. Уверете се, че диапазонът на плантарна флексия не е прекалено голям.• Проверете дали пружините не са прекалено меки и ако е така, поставете пружини от по-висока категория
2.	<ul style="list-style-type: none">• Преходът от началния контакт на петата с повърхността към средата на опорната фаза е прекалено бърз• Затруднено контролиране на динамичната реакция от стъпалото при началния контакт на петата с повърхността (намалена стабилност на коляното)• Потребителят усеща петата прекалено твърда, а предната част на стъпалото е прекалено къса	<ul style="list-style-type: none">• Намалете съпротивлението на плантарната флексия• Проверете центроването на А-Р изместването. Уверете се, че стъпалото не е позиционирано прекалено назад.• Проверете разпределението на движението при плантарна флексия и дорзифлексия. Уверете се, че диапазонът на плантарна флексия е подходящ.• Проверете дали пружините не са от прекалено висока категория за теглото и мобилността на пациента и ако е така, поставете пружини от по-ниска категория

	Признаци	Решение
3.	<p>Контактът на петата и преходът се усещат нормално, но:</p> <ul style="list-style-type: none"> • Предната част на стъпалото се усеща прекалено мека • Предната част на стъпалото се усеща прекалено къса • Потребителят има усещането, че върви по <i>нанадолнище</i>, евентуално с намалена стабилност на коляното • Липса на динамична реакция 	<ul style="list-style-type: none"> • Увеличете съпротивлението на дорзифлексията • Проверете центроването на А-Р изместването. Уверете се, че стъпалото не е позиционирано прекалено назад. • Проверете разпределението на движението при плантарна флексия и дорзифлексия. Уверете се, че диапазонът на дорзифлексия не е прекалено голям. • Проверете дали пружините не са прекалено меки за теглото и мобилността на потребителя и ако е така, поставете пружини от по-висока категория
4.	<p>Контактът на петата и преходът се усещат нормално, но:</p> <ul style="list-style-type: none"> • Предната част на стъпалото се усеща прекалено твърда • Предната част на стъпалото се усеща прекалено дълга • Усещане за изкачване нагоре 	<ul style="list-style-type: none"> • Намалете съпротивлението на дорзифлексията • Проверете центроването на А-Р изместването. Уверете се, че стъпалото не е позиционирано прекалено напред. • Проверете разпределението на движението при плантарна флексия и дорзифлексия. Уверете се, че диапазонът на дорзифлексия е достатъчен. • Проверете дали пружините не са прекалено твърди за теглото и мобилността на пациента и ако е така, поставете пружини от по-ниска категория

9 Инструкции за поддръжка



Необходимо е винаги да внимавате да не заклежите пръстите си.



Използвайте подходящи лични предпазни средства за осигуряване на здравословни и безопасни условия на труд през цялото време, включително екстрактори.

9.1 Изваждане на облицовката на протезното стъпало

1 Поставете обувалка зад пружината за пета.



2 Завъртете обувалката както е показано, за да извадите облицовката.

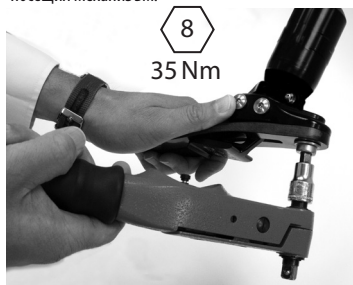


9.2 Смяна на пружини за пета и пръсти

3 Извадете пружината за пета и винтовете.



4 Извадете винта на пружината за пръсти и сменете пръстите. При повторното монтиране използвайте Loctite 243 (926012) и затегнете до 35 Nm. Уверете се, че пружината за пръсти е разположена централно спрямо носещия механизъм.



5 Монтирайте отново друга пружина за пета. Използвайте Loctite 243 (926012) и затегнете до 15 Nm.



6 Оцветете съответните линии на носещата конструкция с перманентен черен маркер, така че да се получи номерът на комплекта от пружини.



7

Ако ще се поставя козметично покритие, загладете с шкурка горната повърхност на облицовката на протезното стъпало, за да се осигури надеждно залепване.

**8**

Поставете смазка на пръстите и петата, ако е необходимо. (Облицовката на протезното стъпало е предварително смазана).



928017

9

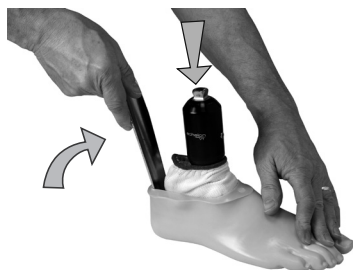
Място на пружината за пръсти в облицовката на протезното стъпало.

10

Използвайте подходящ лост (обувалка), за да наместите пружината за пета на съответното място в облицовката на протезното стъпало.

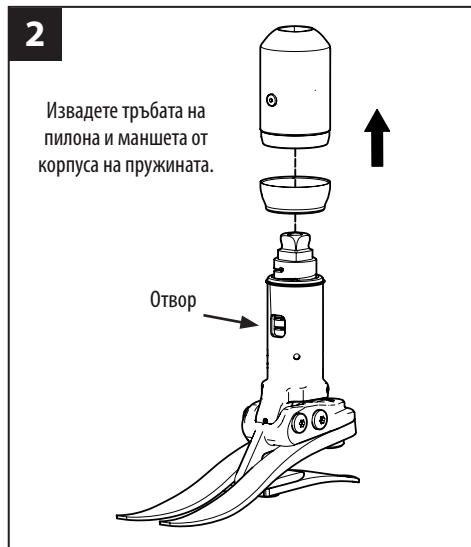
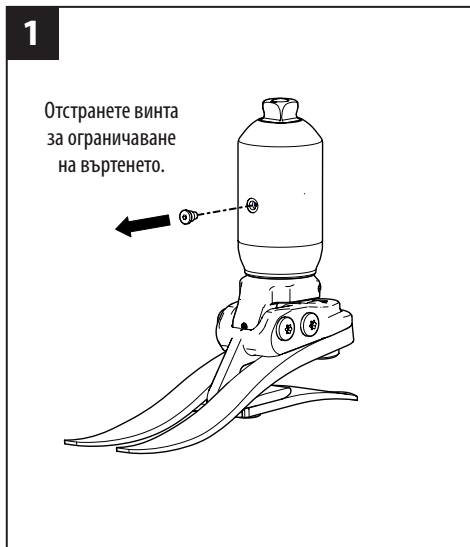
**11**

Уверете се, че пружината за пета е влязла в съответния отвор.



Ако е необходимо козметично покритие, свържете се с член от екипа по продажби на Blatchford.

9.3 Тръба на пилон



Почистете и смажете отново носещата повърхност.

Използвайте Sapphire Endure (928015) или еквивалентна грес с PTFE.

9.3.1 Повторно монтиране

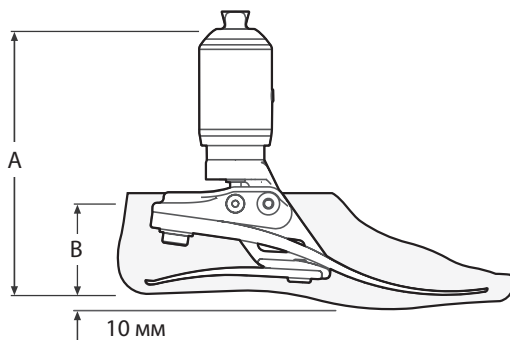
Подравнете винта за ограничаване на въртенето с отвора на пилона, нанесете Loctite 243 и затегнете.

Предлага се резервен маншет с каталожен № 534003

10 Технически данни

Температурен диапазон на експлоатация и съхранение:	от -15°C до 50°C
Тегло на компонента (размер 26N):	1,05 кг
Препоръчително ниво на мобилност:	3
Максимално тегло на потребителя:	125 кг
Размери:	22 до 30 см
Проксимално закрепване:	Входяща пирамида (Blatchford) +/- 7°
Диапазон на движение на глезена:	6° плантарна флексия до 3° дорзифлексия
Максимална ротация:	+/- 15°
Обичайно аксиално движение:	3-6 мм [максимум 10 мм]
Височина на конструкцията:*	22 см - 24 см 168 мм 25 см - 26 см 173 мм 27 см - 30 см 178 мм
Височина на петата:	10 мм

Монтажна дължина



Размер	A
22-24	168 мм
25-26	173 мм
27-30	178 мм

Размер	B
22-26	65 мм
27-28	70 мм
29-30	75 мм

11 Информация за поръчка

Примерна поръчка:

ECVT	25	L	N	3	2	S
------	----	---	---	---	---	---

Размер Страна Ширина* Категория Аксиална Пръст за
(L - лява/ (N - тясна/ на комплект пружина носене на
R - дясна) W - широка) от пружини сандали

*Само за размери 25-28. За всички останали размери пропуснете полето за ширина.

напр. ECVT25LN12S, ECVT22R34S, ECVT27RW33SD

Предлага се в размери
от 22 до 30:
ECVT22L11S
до ECVT30R84S
ECVT22L11SD
до ECVT30R84SD

(добавете „D“ за облицовка на
протезно стъпало в тъмен цвят)

Комплекти от пружини

Категория	Размер на стъпалото			
	Малък (S)	Среден (M)	Голям (L)	Много голям (XL)
	22-24	25-26	27-28	29-30
Комплект 1	539801S	539810S	539819S	539828S
Комплект 2	539802S	539811S	539820S	539829S
Комплект 3	539803S	539812S	539821S	539830S
Комплект 4	539804S	539813S	539822S	539831S
Комплект 5	539805S	539814S	539823S	539832S
Комплект 6	539806S	539815S	539824S	539833S
Комплект 7	539807S	539816S	539825S	539834S
Комплект 8	539808S	539817S	539826S	539835S

Облицовка на протезно стъпало (за тъмен цвят добавете „D“)

Размер/ страна	Тясна (N)	Широка (W)
22L	539038S	-
22R	539039S	-
23L	539040S	-
23R	539041S	-
24L	539042S	-
24R	539043S	-
25L	539044SN	539044SW
25R	539045SN	539045SW
26L	539046SN	539046SW
26R	539047SN	539047SW
27L	539048SN	539048SW
27R	539049SN	539049SW
28L	539050SN	539050SW
28R	539051SN	539051SW
29L	-	539052S
29R	-	539053S
30L	-	539054S
30R	-	539055S

Артикул	Кат. №
Чорап за приплъзване (размери 22-26)	531011
Чорап за приплъзване (размери 27-30)	532811
Ключ за регулиране на ДФ/ПФ, шестограмен ключ 4 A/F	940236
Маншет	534003
Винт за ограничаване на въртенето	534005

Отговорност

Производителят препоръчва изделието да се използва само при посочените условия и по предназначение. Изделието трябва да се поддържа в съответствие с инструкциите за употреба, предоставени с него. Производителят не носи отговорност за неблагоприятни събития, причинени от комбинации от елементи, които не са одобрени от него.

Маркировка за съответствие СЕ

Този продукт отговаря на изискванията на Регламент (ЕС) 2017/745 за медицинските изделия. Този продукт е класифициран като продукт от клас I според правилата за класификация, описани в Приложение VIII на регламента. ЕС декларацията за съответствие е достъпна на следния интернет адрес: www.blatchford.co.uk



Медицинско изделие



Предназначено за многократна употреба от един пациент

Съвместимост

Комбинирането с продукти на Blatchford е одобрено въз основа на изпитвания в съответствие с приложимите стандарти и Регламент (ЕС) 2017/745 за медицинските изделия, включително изпитване на конструкцията, съвместимост относно размерите и проследяване на функционалността в реални условия.

Комбинирането с други продукти с маркировка СЕ трябва да се извършва с оглед на документираната индивидуална оценка на риска, извършена от специалист.

Гаранция

Изделието се предлага с гаранция от 36 месеца, като гаранцията на облицовката на протезното стъпало е 12 месеца, а гаранцията на чорапа за приплъзване – 3 месеца. Потребителят трябва да е наясно, че промени или модификации, които не са изрично одобрени, биха могли да доведат до анулиране на гаранцията, лицензите за работа и изключенията. Вижте уебсайта на Blatchford за актуалната пълна декларация за гаранция.

Докладване на сериозни инциденти

В малко вероятния случай на сериозен инцидент, свързан с настоящото изделие, инцидентът трябва да се докладва на производителя и на компетентния национален орган.

Екологични аспекти

Когато е възможно, елементите му трябва да се рециклират в съответствие с местните разпоредби за управление на отпадъците.

Запазване на етикета на опаковката

Препоръчва се да запазите етикета на опаковката като документ за доставеното изделие.

Потвърждение за търговска марка

Echelon и Blatchford са регистрирани търговски марки на Blatchford Products Limited.

Адрес на управление на производителя

 Blatchford Products Limited, Lister Road, Basingstoke RG22 4AH, Обединено кралство.

Sadržaj.....	59
1 Opis i predviđena namjena	60
2 Informacije o sigurnosti	62
3 Izvedba.....	63
4 Funkcija.....	64
5 Održavanje.....	64
6 Ograničenja uporabe.....	65
7 Početno poravnanje	66
7.1 Statičko poravnanje	66
7.2 Biomimetičko poravnanje.....	67
7.3 Biomimetička prilagodba.....	68
7.4 Dinamička prilagodba.....	69
8 Savjeti za prilagođavanje	70
9 Upute o održavanju.....	72
9.1 Skidanje čahure stopala.....	72
9.2 Zamjena opruga pete i palca	72
9.3 Rukav stupnog dijela	74
10 Tehnički podaci	75
11 Informacije za naručivanje.....	76

1 Opis i predviđena namjena

Ove su upute za uporabu namijenjene zdravstvenim djelatnicima.

Izraz *proizvod* u ovom dokumentu odnosi se na proizvod EchelonVT.

Primjena

Proizvod se smije upotrebljavati isključivo kao dio proteze donjeg ekstremiteta.

Namijenjen za jednog korisnika.

Ovaj proizvod omogućava ograničeno samoporavnanje proteze na raznolikom terenu i nakon promjene obuće. Namijenjen je poboljšanju posturalnog otklona i ravnoteže dok olakšava neprirodne pritiske na sučelje ležišta. Proizvod sadrži opružni element koji može amortizirati aksijalne i rotacijske sile udara u svrhu smanjena smičnog naprezanja na bataljku/sučelju ležišta.

Stupanj aktivnosti

Ovaj proizvod preporučuje se za korisnike koji su u mogućnosti postići stupnjeve aktivnosti 3 i mogli bi imali koristi od pojačane stabilnosti i povećanja sigurnosti na neravnim površinama. Svrha dodatne amortizacije sila udara i povrata energije koje omogućava aksijalna opruga je poboljšanje udobnosti i funkcionalnosti.

Postoje iznimke i u svojim preporukama trudimo se uzeti u obzir jedinstvene, individualne okolnosti. Možda postoji određen broj korisnika stupnjeva aktivnosti 2 i 4* kojima bi koristila pojačana stabilnost kakvu omogućava proizvod, no takva odluka mora biti razumno i detaljno obrazložena.

Stupanj aktivnosti 1

Može upotrebljavati ili postoji potencijal upotrebljavanja proteze za transfer ili kretanje na ravnim površinama ujednačenim tempom. Karakteristično za osobu ograničene i neograničene sposobnosti hoda.

Stupanj aktivnosti 2

Može hodati ili postoji potencijal za hod uz sposobnost prelaženja manjih prepreka u okruženju, poput rubnika, stuba ili neravnih površina. Karakteristično za osobu ograničene sposobnosti hoda u vanjskom okruženju.

Stupanj aktivnosti 3

Može hodati ili postoji potencijal za hod promjenjivim tempom.

Karakteristično za osobu sa sposobnošću hoda u vanjskom okruženju koja može prelaziti većinu prepreka u okruženju i bavi se radnim, terapijskim ili rekreacijskim aktivnostima koje zahtijevaju složeniju uporabu proteze koja nadilazi jednostavne oblike kretanja.

Stupanj aktivnosti 4

Može hodati ili postoji potencijal za hod s protezom koji nadilazi osnovne sposobnosti kretanja, a pokazuje značajnu razinu upora, izdržljivosti i energije. Karakteristično za protetičke potrebe djece, aktivnih odraslih osoba ili sportaša.

(*Maksimalna težina korisnika iznosi 100 kg i uvijek odaberite za broj višu kategoriju kompleta opruga nego što je prikazano u tablici za odabir kompleta opruga.)

Kontraindikacije

Proizvod možda nije prikladan za osobe stupnja aktivnosti 1 ili za sportska natjecanja, jer je za korisnike te vrste primjerenija posebno oblikovana proteza optimizirana za njihove potrebe.

Osigurajte da je korisnik u potpunosti shvatio sve upute za uporabu, posebno obraćajući pozornost na odjeljak o održavanju.

Kliničke prednosti

- Povećan razmak od tla smanjuje rizik od posrtaja i padova
- Poboljšana ravnoteža kroz samoporavnanje
- Poboljšan sraz s tlom radi svladavanja kosina
- Poboljšana uravnoteženost kinetike hoda
- Smanjeno opterećenje na bataljak
- Smanjena stopa opterećenja na bataljak
- Smanjena bol u leđima prilikom okretanja
- Povećana brzina hoda

Odabir kompleta opruga

Stupanj aktivnosti 3

44-52	53-59	60-68	69-77	78-88	89-100	101-116	117-125	kg	Težina korisnika
1	2	3	4	5	6	7	8		Komplet opruga stopala
	●		●●		●●●		●●●●		Stupanj amortiziranja aksijalnih sila udara opruge
1		2		3		4			

Napomena... Ako se dvoumite između dvije kategorije, odaberite komplet opruga za višu razinu. Prikazane preporuke za komplet opruga stopala odnose se na korisnike potkoljene proteze.

Korisnicima natkoljene proteze preporučuje se odabrati za broj nižu kategoriju kompleta opruga, pogledajte upute za prilagođavanje u Odjeljku 8 *Savjeti za prilagođavanje*, kako bi se osigurala zadovoljavajuća funkcionalnost i raspon pokreta.

2 Informacije o sigurnosti



Ova oznaka upozorenja naglašava važne informacije o sigurnosti kojih se potrebno pažljivo pridržavati.



Bilo kakve promjene u funkcionalnosti ili u radu ekstremiteta npr. ograničeni pokreti, neuravnoteženi pokreti ili neobični zvukovi, moraju se odmah prijaviti pružatelju usluge.



Uvijek upotrebljavajte rukohvat prilikom silaženja niza stube i u svim ostalim prilikama ako je dostupno.



Proizvod nije primjeren za ekstremne sportove, natjecanja u trčanju ili biciklizmu, zimske sportove, ekstremne padine i stube. Bavljenje takvim aktivnostima na isključivu je odgovornost korisnika. Rekreativni biciklizam je prihvatljiv.



Sklapanje, održavanje i popravak proizvoda mora obavljati odgovarajuće osposobljeni kliničar.



Korisnik mora obavijestiti svog kliničara o svakoj promjeni svog stanja.



Osigurajte da se za vožnju koriste odgovarajuće prilagođena vozila. Svi korisnici dužni su pridržavati se važećih prometnih propisa prilikom upravljanja motornim vozilima.



Kako bi se smanjio rizik od pokliznuća i spoticanja, u svakom je trenutku potrebno upotrebljavati odgovarajuću obuću koja čvrsto prianja na čahuru stopala.



Nakon neprekidne uporabe kućište nožnog zgloba može postati vruće na dodir.



Izbjegavajte izlaganje ekstremnim vrućinama i/ili hladnoći.



Korisnik ne smije prilagođavati ili preinačavati proizvod.

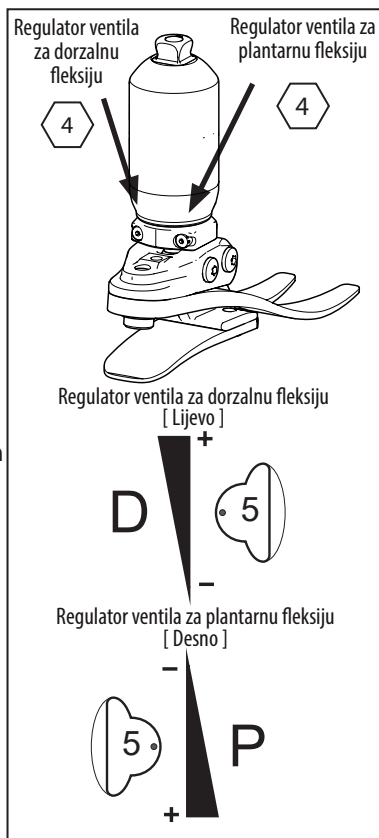


U svakom trenutku vodite računa o riziku od prignječenja prstiju.

3 Izvedba

Glavni dijelovi

- Sklop hidrauličnog tijela i stupnog dijela (aluminij/nehr. č./titanij)
- Sklop nosača (aluminij/nehr. č.)
- Opruge pete i palca (e-karbon)
- Vijci za pričvršćenje opruga (nehr. č./titanij)
- Klizna navlaka (UHM PE)
- Čahura stopala (PU)



4 Funkcija

Proizvod se sastoji od sklopa hidrauličnog tijela koji sadrži prilagodljive hidraulične ventile. Ventili se mogu nezavisno prilagođavati kako bi se povećao i smanjio hidraulični otpor plantarne i dorzalne fleksije.

Proksimalni dio sklopa hidrauličnog tijela sadrži opružnu komponentu koja omogućava otklon piramidne cijevi i/ili rotaciju u ograničenom rasponu pod aksijalnim i/ili torzijskim opterećenjem. Kada opterećenje prestane opruga se vraća u početni položaj. Učinak ovog pokreta je ublažavanje onih sila udara koje bi se u suprotnom prenijele na bataljak/sučelje ležišta i u aksijalnim i rotacijskim smjerovima.

Sklop hidrauličnog tijela spojen je na sklop nosača pomoću dva svornjaka. Opruge pete i palca priključuju se na nosač pomoću titanijskih vijaka i vijaka od nehrđajućeg čelika. Na stopalo se navlači navlaka od UHM PE-a koju se zatim uvlači u čahuru stopala od PU-a.

5 Održavanje

Održavanje smije izvoditi samo kvalificirano osoblje.

Preporučuje se sljedeće godišnje održavanje:

- Provjerite vidljive nedostatke koji bi mogli utjecati na pravilno funkcioniranje
- Očistite i ponovno podmažite nosivu površinu. Upotrijebite mazivo Sapphire Endure (928015) ili istovjetno mazivo s PTFE-om (pogledajte odjeljak 9 *Upute o održavanju*)
- Skinite čahuru stopala i kliznu navlaku, provjerite postoje li oštećenja ili dotrajalost i zamijenite ako je potrebno.
- Provjerite zategnutost svih vijaka, čistite i ponovno sklapajte prema potrebi.
- Vizualno provjerite ima li na oprugama pete i palca znakova delaminacije ili dotrajalosti i zamijenite ako je potrebno. Nakon određenog razdoblja uporabe može doći do površinskih oštećenja koja ne utječu na funkciju ili čvrstoću stopala.

Sve promjene u funkcionalnosti ovog proizvoda prijavi zdravstvenom djelatniku. Promjene u funkcionalnosti mogu uključivati:

- Povećanje krutosti nožnog zgloba
- Promjene u krutosti aksijalnog ili torzijskog gibanja
- Smanjenje potpore nožnom zglobu (slobodno kretanje)
- Olabavljenje opruga
- Prevelika zračnost u ležajevima
- Bilo kakav neobičan zvuk

Korisnika treba uputiti da o svakoj promjeni svog stanja obavijesti zdravstvenog djelatnika.

Zdravstvenog djelatnika potrebno je također obavijestiti o svim promjenama tjelesne težine i/ili stupnja aktivnosti.

Korisnika treba uputiti da se preporučuje redovito vizualno pregledavanje stopala, da znakove dotrajalosti koji bi mogli utjecati na funkcionalnost obavezno prijave svom pružatelju usluga (npr. značajna dotrajalost ili pretjerana izbljedjelost zbog dugotrajne izloženosti UV zračenju).

Čišćenje

Vanjske površine čistite vlažnom krpom i blagim sapunom. Ne upotrebljavajte agresivna sredstva za čišćenje.

6 Ograničenja uporabe

Predviden rok trajanja

Lokalnu procjenu rizika potrebno je izvršiti na temelju aktivnosti i uporabe.

Podizanje tereta

Tjelesna težina korisnika i aktivnosti podliježu navedenim ograničenjima.

Teret koji korisnik smije nositi mora se odrediti lokalnom procjenom rizika.

Okruženje

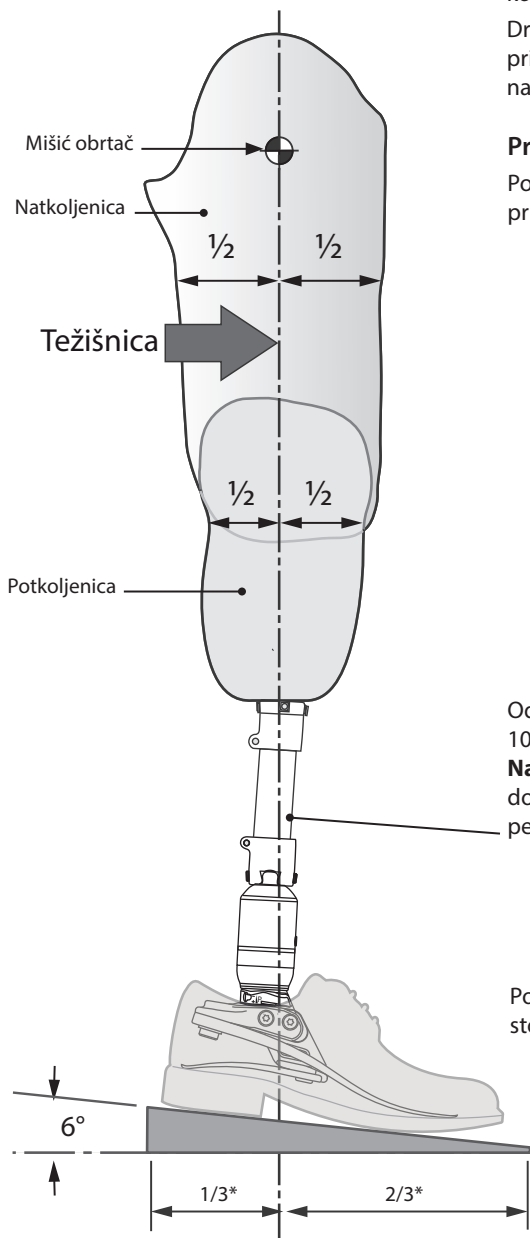
Izbjegavajte proizvod izlagati korozivnim elementima poput vode, kiselina i drugih tekućina. Također izbjegavajte abrazivna okruženja s npr. pijeskom jer to može pridonijeti prijevremenom trošenju.

Isključivo za uporabu na temperaturi od -15 °C do 50 °C.



7 Početno poravnanje

7.1 Statičko poravnanje

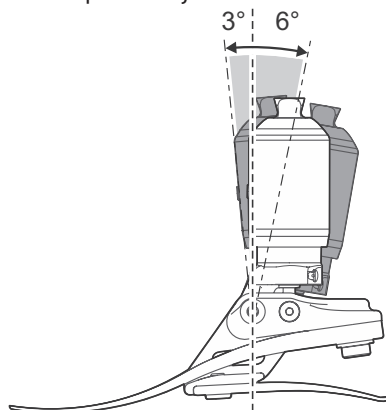


Poravnajte dijelove natkoljenice prema uputama o prilagođavanju isporučanim uz koljeno.

Držite težišnicu između svornjaka kako je prikazano, prema potrebi upotrebljavajući naprave za mijenjanje položaja i/ili nagiba.

Prilagođavanje nagiba

Poravnajte ekstremitet kako biste omogućili prikazan raspon kretnji.



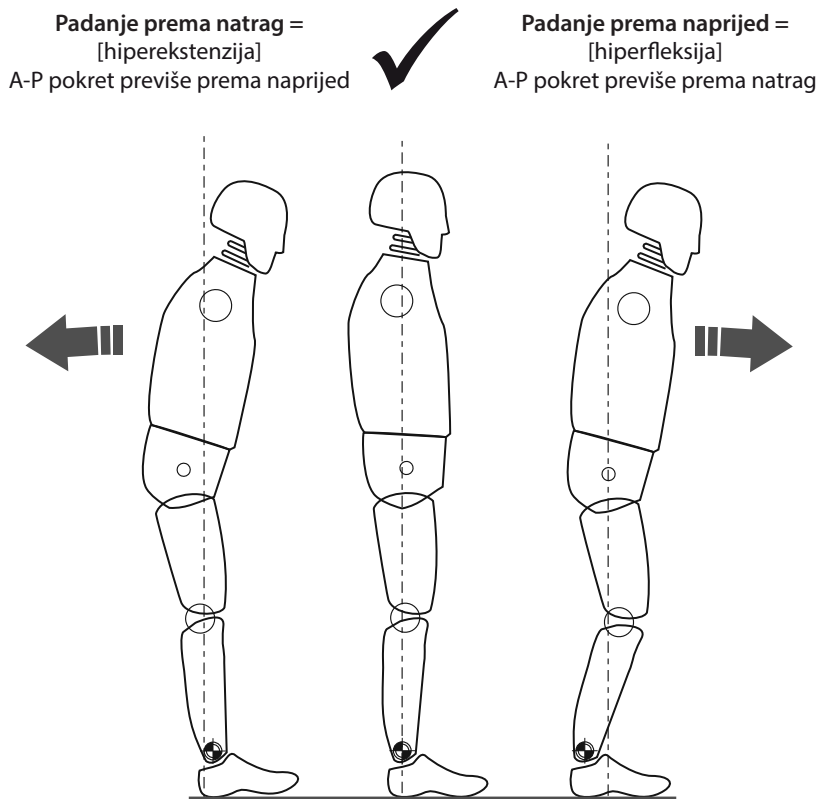
Odrežite cijev na približnu duljinu, ostavljajući 10-15 mm za završno obrezivanje.

Napomena: ispitna duljina obično uključuje dodatnih 10 mm radi aksijalnog opterećenja pete, palca i opruge (aksijalne).

Poravnavanje izvedite s obuvenom cipelom i stopalom u potpunij plantarne fleksije.

7.2 Biomimetičko poravnanje

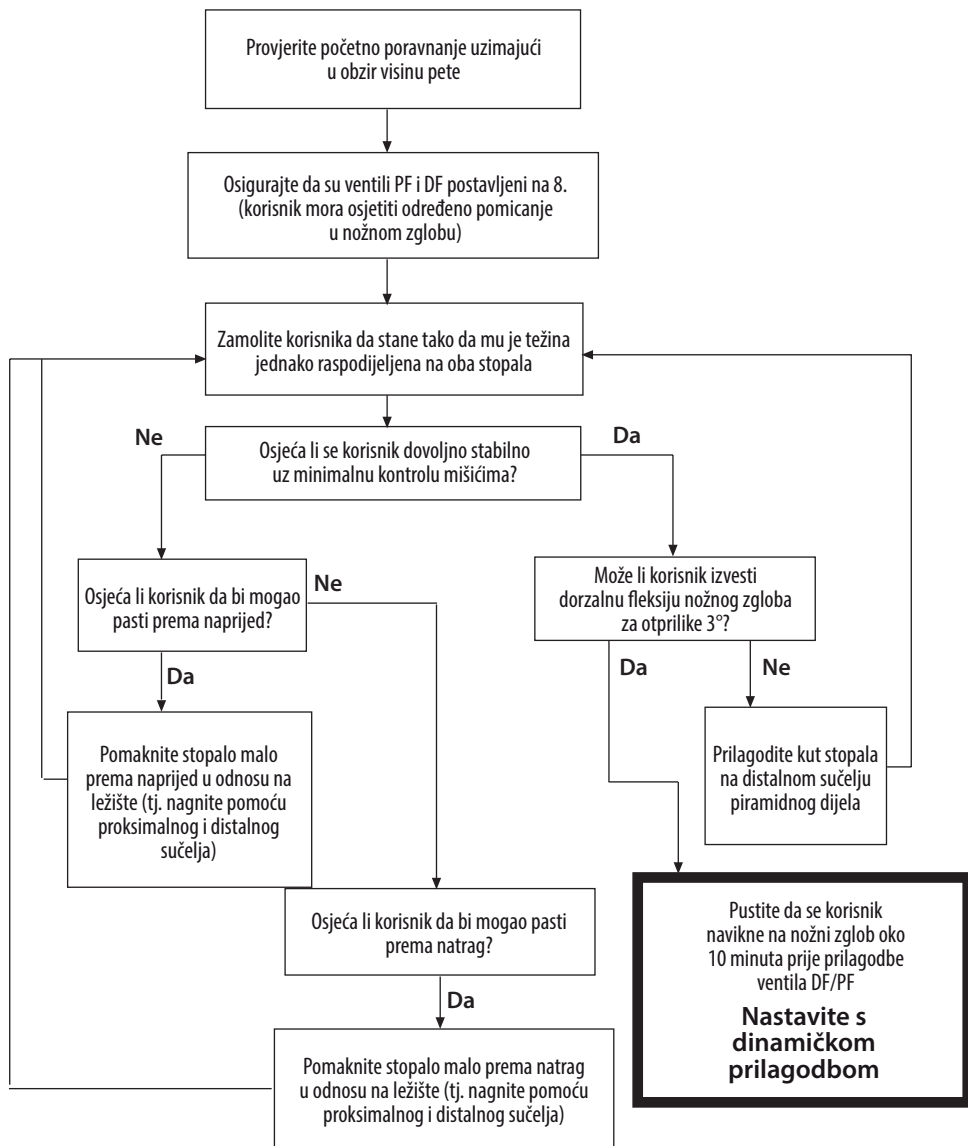
Svrha je poravnanja postizanje „točke ravnoteže“ u stojećem položaju i postavljanje raspona kretnji prigušenog hidraulikom. Svrha je prilagodbe prigušivanja fino podešavanje svojstva krutosti prijelaza s nožnog zgloba na stopalo dok se ne postigne udoban hod. Zbog povećanog raspona kretnji koje omogućava nožni zglob, korisnik će možda osjetiti potrebu za voljnom kontrolom i u početku osjećati nožni zglob neugodnim prilikom prilagodbe. To će prestati po završetku zadovoljavajuće prilagodbe.



Osigurajte da je korisnik opušten i da se ne oslanja na točku ograničenja dorzalne fleksije.

7.3 Biomimetička prilagodba

Napomena... Statičko poravnanje mora se izvoditi dok je korisnik oslonjen na pomagalo za potporu, poput paralelnih ruča. Ovo je poravnanje samo za stojeći položaj.



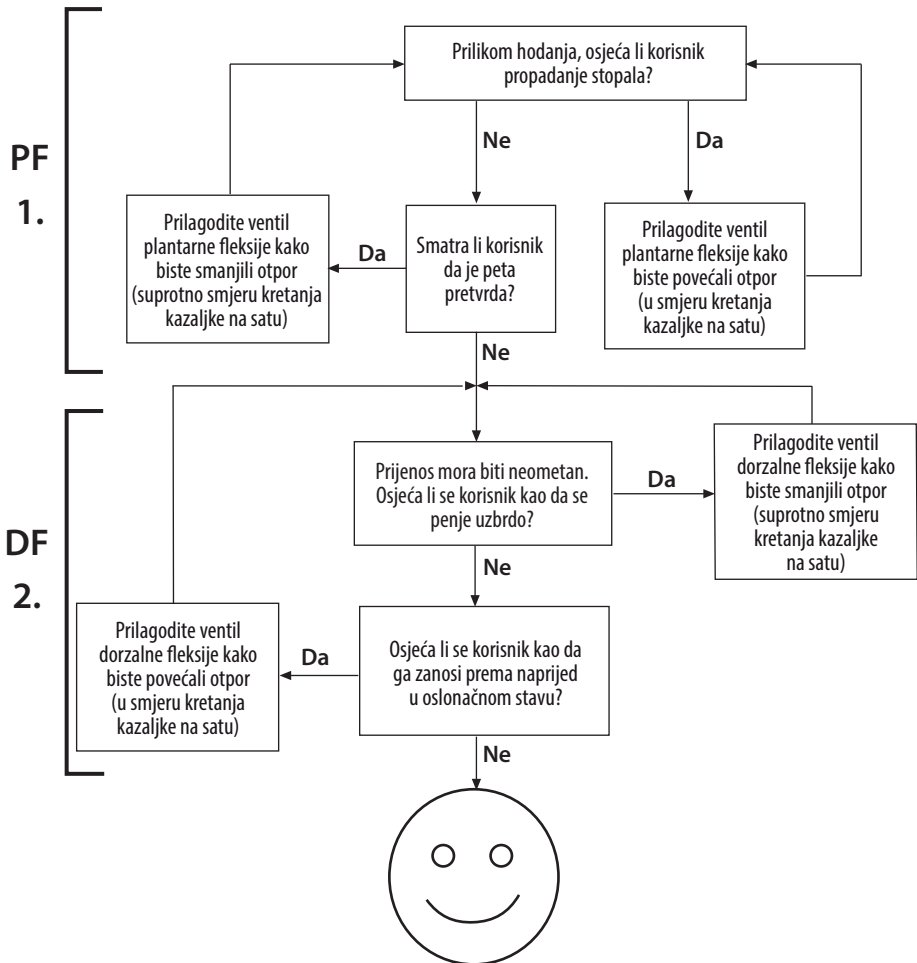
Primijenite pokret za statičko poravnanje i stajanje.

Proizvod bi trebao omogućiti određeni stupanj samoporavnanja kako bi korisnik stekao osjećaj ravnoteže kod stajanja.

7.4 Dinamička prilagodba

Prilagodba hidrauličnih ventila

Korisnik bi trebao osjećati kretanje nožnog zgloba s tijelom kroz ciklus hoda. Korisnik ne smije osjećati napor kod premošćivanja hidrauličnog otpora nožnog zgloba.



Smjernica

Nakon dinamičke prilagodbe, ispitajte stopalo/nožni zglob na rampama i stubama. Osigurajte da korisnik osjeća sigurnost na vrstama površina s kojima će se uobičajeno susretati. Ako korisnik prijavi bilo kakve smetnje vezane za udobnost, funkcionalnost ili raspon pokreta nožnog zgloba, prilagodite prema potrebi.

8 Savjeti za prilagođavanje

Ispravno poravnanje (položaj A-P), raspon kretnji (distribucija s plantarne fleksije na dorzalnu fleksiju) i prilagodba hidrauličnih postavki presudni su za neometan prijelaz i ispravno podešavanje kosine (pogledajte dio Odjeljku 7.3 *Biomimetička prilagodba*).

Aksijalne opruge proizvoda osmišljene su da u kombiniranoj upotrebi s oprugama pete i palca omoguće neometanu progresiju većini korisnika. Aksijalna opruga kontrolira elastičnost opterećenja i torzijsku elastičnost, a uobičajeni aksijalni pokret mora iznositi 3-6 mm kod normalnog hoda.

Proizvod je dostupan u 4 stupnja aksijalne opruge (pogledajte Odjeljak 1 za detalje).

Dajte korisniku vremena da se upozna s početnim postavkama.

Ako nakon postupanja prema donjim uputama i dalje postoje problemi s funkcioniranjem, molimo kontaktirajte službu prodaje na vašem području za savjet.



Bilo što od navedenog imat će negativni učinak na funkcionalnost i stabilnost:

- Neispravan odabir opruga
- Neispravno poravnanje pokreta A-P
- Neispravna raspodjela raspona pokreta plantarne i dorzalne fleksije

	<i>Simptomi</i>	<i>Korektivne mjere</i>
1.	<ul style="list-style-type: none">• Propadanje kod nagaza petom• Poteškoće s postizanjem neometane progresije u međustav• Korisnik osjeća kao da se penje uzbrdo ili osjeća da je prednji dio stopala predug.	<ul style="list-style-type: none">• Povećajte otpor plantarne fleksije.• Provjerite poravnanje pokreta A-P: osigurajte da stopalo nije previše izbačeno prema naprijed.• Provjerite raspodjelu pokreta plantarne fleksije i dorzalne fleksije: osigurajte da raspon plantarne fleksije nije prevelik• Provjerite da kategorija opruga nije premekana, ako jest odaberite oprugu višeg stupnja
2.	<ul style="list-style-type: none">• Progresija od nagaza na petu u međustav odvija se prebrzo• Poteškoće u kontroliranju povrata energije stopala kod nagaza petom (smanjena stabilnost koljena)• Korisnik osjeća da je peta pretvrda, prednji dio stopala prekratak	<ul style="list-style-type: none">• Smanjite otpor plantarne fleksije• Provjerite poravnanje pokreta A-P: osigurajte da stopalo nije previše zabačeno prema natrag.• Provjerite raspodjelu pokreta plantarne fleksije i dorzalne fleksije: osigurajte da je raspon plantarne fleksije primjeren• Provjerite da kategorija opruge nije previsoka za težinu i aktivnosti pacijenta, ako jest odaberite oprugu nižeg stupnja

	<i>Simptomi</i>	<i>Korektivne mjere</i>
3.	<p>Dodir petom i progresija čine se u redu, ali:</p> <ul style="list-style-type: none"> • Stopalo djeluje premekano • Stopalo djeluje prekratko • Korisnik osjeća kao da silazi <i>nizbrdo</i>, uz moguću smanjenu stabilnost koljena • Izostanak povrata energije 	<ul style="list-style-type: none"> • Povećajte otpor dorzalne fleksije • Provjerite poravnanje pokreta A-P: osigurajte da stopalo nije previše zabačeno prema natrag. • Provjerite raspodjelu pokreta plantarne fleksije i dorzalne fleksije: osigurajte da raspon dorzalne fleksije nije pretjeran • Provjerite da kategorija opruge nije premekana za težinu i aktivnosti korisnika, ako jest, odaberite oprugu višeg stupnja
4.	<p>Dodir petom i progresija čine se u redu, ali:</p> <ul style="list-style-type: none"> • Prednji dio stopala djeluje prekruto • Prednji dio stopala djeluje predugo • Osjećaj penjanja uzbrdo 	<ul style="list-style-type: none"> • Smanjite otpor dorzalne fleksije • Provjerite poravnanje pokreta A-P: osigurajte da stopalo nije previše izbačeno prema naprijed. • Provjerite raspodjelu pokreta plantarne fleksije i dorzalne fleksije: osigurajte da je raspon dorzalne fleksije dostatan • Provjerite da kategorija opruge nije prekruta za težinu i aktivnosti pacijenta, ako jest odaberite oprugu nižeg stupnja

9 Upute o održavanju

-  U svakom trenutku vodite računa o riziku od prignječenja prstiju.
-  Upotrebljavajte odgovarajuću zdravstvenu i zaštitnu opremu u svakom trenutku uključujući pribor za vađenje.

9.1 Skidanje čahure stopala



9.2 Zamjena opruga pete i palca



7

Ako je potrebno namjestiti kozmetičku navlaku, izbrusite gornju površinu čahure stopala kako biste dobili savršenu površinu za vezivanje.

**8**

Podmažite palac i petu ako je potrebno. (Čahura stopala već je podmazana).

**9**

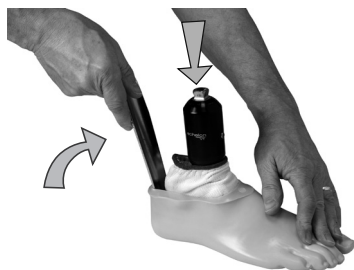
Položaj opruge palca u čahuri stopala.

10

Upotrijebite prikladnu polugu kako bi podložili oprugu pete na položaj u čahuru stopala.

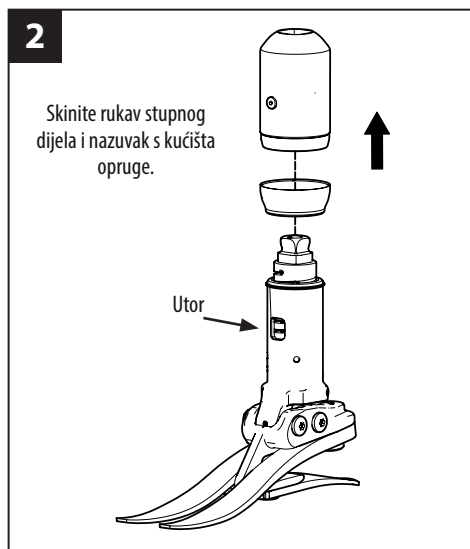
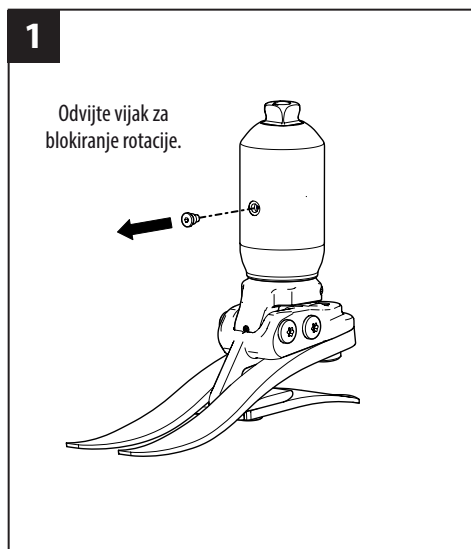
**11**

Osigurajte da je opruga pete dobro sjela u utor.



Ako je potrebna kozmetička završna obrada, molimo kontaktirajte službu prodaje tvrtke Blatchford.

9.3 Rukav stupnog dijela



Očistite i ponovno podmažite nosivu površinu.

Upotrijebite mazivo Sapphire Endure (928015) ili istovjetno mazivo s PTFE-om.

9.3.1 Ponovno sklapanje

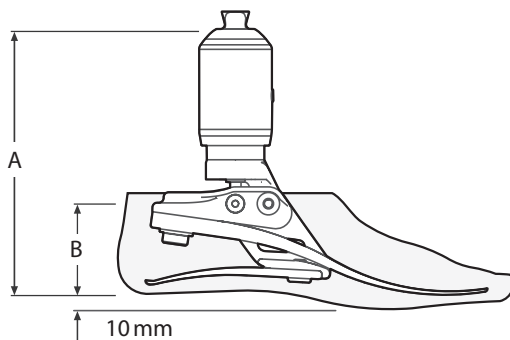
Osigurajte da se vijak za blokiranje rotacije poravnao s utorom u stupnom dijelu, nanesite ljepilo Loctite 243 i zategnite.

Dostupan zamjenski nazuvak Dio br. 534003

10 Tehnički podaci

Radni i temperaturni raspon skladištenja:	-15°C do 50°C
Težina komponente (<i>veličina 26N</i>):	1,05 kg
Preporučeni stupanj aktivnosti:	3
Maksimalna tjelesna težina korisnika:	125 kg
Veličine:	22 do 30 cm
Priključak za poravnanje proksimalnog dijela:	Muški piramidni dio (Blatchford) +/- 7°
Raspon pokreta nožnog zgloba:	6° plantarne do 3° dorzalne fleksije
Maksimalna rotacija:	+/- 15°
Uobičajen aksijalni pokret:	3- 6 mm [maksimalno 10 mm]
Visina izvedbe:*	22 cm - 24 cm 168 mm 25 cm - 26 cm 173 mm 27 cm - 30 cm 178 mm
Visina pete:	10 mm

Duljina prilagođavanja



Veličina	A
22-24	168 mm
25-26	173 mm
27-30	178 mm

Veličina	B
22-26	65 mm
27-28	70 mm
29-30	75 mm

11 Informacije za naručivanje

Primjer narudžbe:

ECVT	25	L	N	3	2	S
------	----	---	---	---	---	---

Veličina Strana Širina* Kategorija Aksijalna Palac boje
(L/R) (N/W) kompleta opruga sandalovine

Dostupno od veličine 22
do veličine 30:
ECVT22L11S do ECVT30R84S
ECVT22L11SD do ECVT30R84SD

*Samo veličine 25-28. Za sve druge veličine, izostavite polje Širina.

npr. ECVT25LN12S, ECVT22R34S, ECVT27RW33SD

(upišite „D“ za čahuru stopala
u tamnom tonu boje)

Komplet opruga				
Stupanj	Veličine stopala			
	Malo (S)	Srednje (M)	Veliko (L)	Jako veliko (XL)
	22-24	25-26	27-28	29-30
Komplet 1	539801S	539810S	539819S	539828S
Komplet 2	539802S	539811S	539820S	539829S
Komplet 3	539803S	539812S	539821S	539830S
Komplet 4	539804S	539813S	539822S	539831S
Komplet 5	539805S	539814S	539823S	539832S
Komplet 6	539806S	539815S	539824S	539833S
Komplet 7	539807S	539816S	539825S	539834S
Komplet 8	539808S	539817S	539826S	539835S

Čahura stopala (za tamniju izvedbu upišite „D“)		
Veličina/ strana	Usko	Široko
22L	539038S	-
22R	539039S	-
23L	539040S	-
23R	539041S	-
24L	539042S	-
24R	539043S	-
25L	539044SN	539044SW
25R	539045SN	539045SW
26L	539046SN	539046SW
26R	539047SN	539047SW
27L	539048SN	539048SW
27R	539049SN	539049SW
28L	539050SN	539050SW
28R	539051SN	539051SW
29L	-	539052S
29R	-	539053S
30L	-	539054S
30R	-	539055S

Dio	Br. dijela
Klizna navlaka (veličine 22-26)	531011
Klizna navlaka (veličine 27-30)	532811
Ključ za reguliranje ventila DF/PF, imbus ključ 4 A/F	940236
Nazuvak	534003
Vijak za blokiranje rotacije	534005

Odgovornost

Proizvođač preporučuje uporabu proizvoda u skladu s navedenim uvjetima i za predviđene namjene. Proizvod mora biti održavan u skladu s uputama za uporabu isporučenim uz proizvod. Proizvođač nije odgovoran ni za kakve neželjene ishode uzrokovane kombiniranjem komponenti koje nije odobrio.

CE sukladnost

Ovaj proizvod ispunjava zahtjeve Uredbe (EU) 2017/745 o medicinskim proizvodima. Ovaj proizvod razvrstan je kao proizvod klase rizika I prema kriterijima razvrstavanja navedenima u Dodatku VIII. Uredbe. Certifikat EU Izjava o sukladnosti dostupan je na sljedećoj internetskoj stranici: www.blatchford.co.uk



Medicinski proizvod



Jedan korisnik - višestruka uporaba

Kompatibilnost

Kombiniranje s proizvodima marke Blatchford odobrava se na temelju ispitivanja u skladu s primjenjivim normama i Uredbom o medicinskim proizvodima (MDR) uključujući ispitivanje strukture, usklađenost dimenzija i nadziranu radnu učinkovitost.

Kombiniranje s alternativnim proizvodima s oznakom CE mora se provesti uz dokumentiranu lokalnu procjenu rizika od strane zdravstvenog djelatnika.

Jamstvo

Na ovaj proizvod daje se jamstvo od 36 mjeseci – na čahuru stopala 12 mjeseci – na kliznu navlaku 3 mjeseca. Korisnik mora biti svjestan da promjene ili preinake koje nisu izričito dopuštene mogu poništiti jamstvo, odobrenja za rad i izuzeća. Pogledajte internetsku stranicu tvrtke Blatchford za uvid u cjelovitu važeću izjavu o jamstvu.

Prijavlivanje ozbiljnih neželjenih događaja

U malo vjerojatnom slučaju pojave ozbiljnog neželjenog događaja vezanog uz ovaj proizvod, potrebno je isti prijaviti proizvođaču i nadležnom državnom tijelu.

Ekološki aspekti

Gdje je izvedivo, komponente je potrebno reciklirati u skladu s lokalnim propisima o zbrinjavanju otpada.

Čuvanje oznake pakiranja

Morate sačuvati oznaku pakiranja kao evidenciju isporučenog proizvoda.

Izjave o žigu

Echelon i Blatchford registrirani su žigovi tvrtke Blatchford Products Limited.

Adresa sjedišta proizvođača

 Blatchford Products Limited, Lister Road, Basingstoke RG22 4AH, UK.

Obsah	78
1 Opis a zamýšľaný účel.....	79
2 Informácie o bezpečnosti.....	81
3 Konštrukcia.....	82
4 Funkcia.....	83
5 Údržba.....	83
6 Obmedzenie používania	84
7 Zarovnanie osadenia.....	85
7.1 Statické zarovnanie	85
7.2 Biomimetické zarovnanie.....	86
7.3 Biomimetické nastavenie	87
7.4 Dynamické nastavenie.....	88
8 Odporúčania pri osádzaní.....	89
9 Návod na údržbu.....	91
9.1 Snímanie krytu chodidla	91
9.2 Výmena pätovej a prstovej pružiny	91
9.3 Poťah pylónu	93
10 Technické údaje	94
11 Informácie pri objednávaní	95

1 Opis a zamýšľaný účel

Návod na použitie je určený odborníkovi.

V tomto dokumente sa používa termín pomôcka a odkazuje na EchelonVT.

Použitie

Pomôcka sa smie používať výhradne ako súčasť protézy dolnej končatiny.

Je určená jednému používateľovi.

Pomôcka umožňuje obmedzené samozarovnanie protézy na rôznorodom teréne a po výmene obuvi. Má zlepšovať symetriu a náklon v rámci postoja a zároveň znižovať abnormálny tlak na rozhranie lôžka. Súčasťou pomôcky je pružinový diel, ktorý tlmí osové a rotačné nárazy a jeho účelom je znižovanie kolmého tlaku v rozhraní kýpťa/lôžka.

Úroveň aktivity

Pomôcka sa odporúča používateľom s potenciálom dosiahnutia úrovne aktivity 3, ktorí by mohli mať osoh z vyššej stability a istoty na nerovnom povrchu. Dodatočné tľmenie nárazov a odval, ktoré zabezpečuje osová pružina, má zvýšiť pohodlie a zlepšiť vlastnosti.

Existujú výnimky a v odporúčaní chceme nechať priestor jedinečným okolnostiam. Zo zvýšenej stability zabezpečenej pomôckou by mohli mať osoh aj niektorí používatelia s úrovňou aktivity 2 a 4*, no rozhodnúť sa treba po dôkladnom zvážení.

Úroveň aktivity 1

Má schopnosť alebo potenciál používať protézu na presun alebo chôdzu na rovnom povrchu pri fixnej kadencii. Typická pre chodca s obmedzením alebo bez obmedzenia.

Úroveň aktivity 2

Má schopnosť alebo potenciál chôdze so schopnosťou prechádzať cez nízke prekážky v okolitom prostredí, ako sú obrubníky, schody alebo nerovný povrch. Typická pre komunitného chodca s obmedzením.

Úroveň aktivity 3

Má schopnosť a potenciál chôdze s rozličnou kadenciou.

Typická pre komunitného chodca so schopnosťou prechádzať cez väčšinu prekážok v okolitom prostredí, ktorý môže vykonávať pracovnú, terapeutickú alebo cvičebnú aktivitu vyžadujúcu si používanie protézy mimo jednoduchého pohybu.

Úroveň aktivity 4

Má schopnosť alebo potenciál protetickej chôdze, ktorá prekračuje základné ambulantly zručnosti, má veľkú mieru dopadu, tlaku alebo energie. Typická pre protetické nároky detí, aktívnych dospelých alebo atlétov.

(*Maximálna hmotnosť používateľa 100 kg a vždy použite pružiny o 1 kategóriu vyššie než je kategória v tabuľke Súpravy pružín na výber.)

Kontraindikácie

Pomôcka nemusí byť vhodná pre osoby s úroveňou 1 ani na súťažné športové podujatia. Takémuto typu používateľov lepšie poslúži špeciálne navrhnutá protéza optimalizovaná na jeho potreby.

Overte si, či používateľ rozumie všetkým častiam návodu na použitie, predovšetkým časti o údržbe.

Klinické výhody

- Vyššia svetlá výška znižuje riziko zakopnutia a pádu
- Lepšia rovnováha vďaka samozarovnaniu
- Lepšia poddajnosť na svahovitom teréne
- Vyššia kynetická symetria chôdze
- Nižšia záťaž kýpťa
- Nižšia záťaž kýpťa
- Miernejšia bolesť chrbta pri otáčaní
- Väčšia rýchlosť chôdze

Súpravy pružín na výber

Úroveň aktivity 3

44-52	53-59	60-68	69-77	78-88	89-100	101-116	117-125	kg	Hmotnosť používateľa
1	2	3	4	5	6	7	8		Súprava chodidlových pružín
	●	●●		●●●		●●●●			
1		2		3		4			Trieda pružiny pohlcujúcej osovú nárazu

Poznámka... V prípade pochybností si pri výbere medzi dvomi kategóriami vyberte súpravu pružín vyššej triedy. Zobrazené odporúčania ohľadne súpravy chodidlových pružín sa týkajú transtibiálnych používateľov.

Pri transfemorálnych používateľoch navrhujeme vybrať si o kategóriu nižšiu súpravu pružín, pozrite si časť 8 *Odporúčania pri osádzaní*.

2 Informácie o bezpečnosti



Tento výstražný symbol poukazuje na dôležité bezpečnostné informácie, ktoré treba dôsledne dodržiavať.



Všetky zmeny vo vlastnostiach alebo fungovaní končatiny, napr. obmedzený pohyb, drhnutie pri pohybe alebo nezvyčajné zvuky, treba ihneď nahlásiť servisnému pracovníkovi.



Pri kráčaní dolu schodmi a vždy, keď je k dispozícii, sa držte zábradlia.



Pomôcka nie je vhodná na extrémne športy, beh ani cyklistické závody, ľadové ani snehové športy, extrémne svahy ani schody. Absolvovanie takýchto aktivít je výhradne na riziko používateľa. Rekreačná cyklistika je povolená.



Skladanie, údržbu a opravu pomôcky sme vykonávať len primerane kvalifikovaný klinický pracovník.



Používateľ sa má v prípade zmeny zdravotného stavu obrátiť na klinického pracovníka.



Pri šoférovaní dbajte na to, aby sa používali len vhodne upravené vozidlá. Pri riadení motorového vozidla sa od každého očakáva dodržiavanie príslušných zákonov o cestnej premávke.



Na minimalizovanie rizika pošmyknutia alebo zakopnutia je potrebné neustále nosiť obuv, ktorá bezpečne prilieha ku krytu chodidla.



Po dlhodobom používaní môže byť členkový kryt horúci na dotyk.



Vyhňte sa vystavovaniu extrémnemu teplu a/alebo chladu.



Používateľ nesmie nastavovať ani neodborne upravovať nastavenie pomôcky.

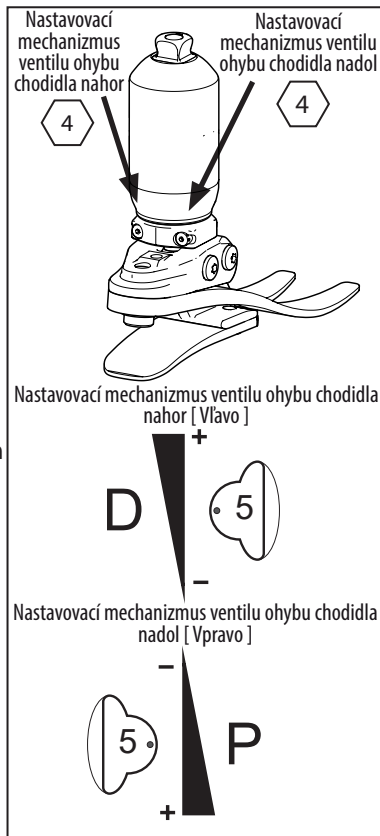
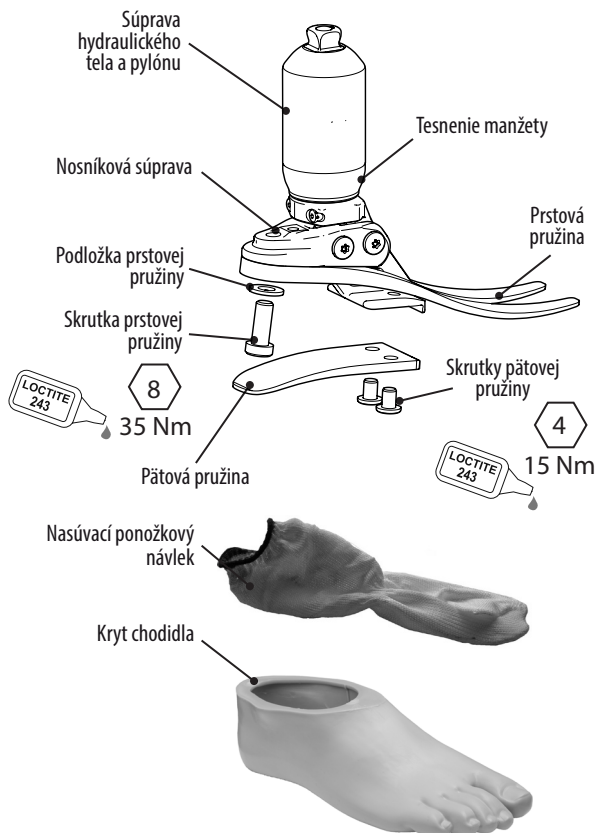


Dávajte pozor na riziko zachytenia prstov.

3 Konštrukcia

Hlavné diely

- Súprava hydraulického tela a pylónu (hliník/nehrdz. oceľ/titán)
- Nosníková súprava (hliník/nehrdz. oceľ)
- Päťové a prstové pružiny (e-uhlík)
- Skrutky na pripevnenie pružiny (nehrdz. oceľ/titán)
- Nasúvací ponožkový návlek (UHM PE)
- Kryt chodidla (PU)



4 Funkcia

Pomôcka obsahuje súpravu hydraulického tela s nastaviteľnými hydraulickými ventilmi. Ventily sa dajú nastaviť osobitne, aby sa zvýšil alebo znížil hydraulický odpor pri ohybe chodidla nahor a nadol.

Proximálna časť súpravy hydraulického tela obsahuje pružinový prvok, ktorý umožňuje rúrke s pyramídou v obmedzenom rozsahu vychýliť sa a/alebo rotovať pri osovej a/alebo torznej záťaži. Po pominutí zaťaženia sa pružina vráti do pôvodnej polohy. V dôsledku tohto pohybu sa stlmia nárazové sily, ktoré by sa inak preniesli na rozhranie kýpťa/lôžka v axiálnom aj rotačnom smere.

Súprava hydraulického tela je k nosníkovej súprave pripojená dvomi čapmi. Päťová a prstová pružina je skrutkami z titánu a nehrdzavejúcej ocele pripevnená k nosníku. Chodidlo je obalené ponožkovým návlekom z UHM PE na ňom je nasunutý kryt chodidla z PU.

5 Údržba

Údržbu smie vykonávať len kompetentný personál.

Odporúča sa raz ročne absolvovať nasledujúcu údržbu:

- Skontrolujte, či na pomôcke nie sú viditeľné poškodenia, ktoré by mohli ovplyvniť jej riadne fungovanie
- Vyčistite a znovu namažte povrch ložiska. Použite Sapphire Endure (928015) alebo podobné mazivo s PTFE (pozri časť 9 *Návod na údržbu*).
- Stiahnite kryt chodidla a nasúvací ponožkový návlak, skontrolujte, či protéza nie je poškodená alebo opotrebovaná, a v prípade potreby ju vymeňte.
- Skontrolujte dotiahnutie všetkých skrutiiek. V prípade potreby ich vyčistite a znovu dotiahnite.
- Zrakom skontrolujte, či na päťovej a prstovej pružine nie sú známky delaminácie a ak je to potrebné, vymeňte ich. Po určitom období používania sa môže objaviť poškodenie povrchu, ktoré nemá vplyv na funkčnosť ani silu chodidla.

Všetky zmeny vo vlastnostiach pomôcky treba nahlásiť odborníkovi. Medzi zmeny vo vlastnostiach patrí:

- Zvýšená tuhosť členka
- Zmeny v axiálnej alebo torznej tuhosti
- Znížená opora v členku (vôľa)
- Mäknutie pružín
- Nadmerná vôľa v ložiskách
- Hocijaký nezvyčajný zvuk

Používateľa treba upozorniť, že v prípade zmeny zdravotného stavu sa má obrátiť odborníka.

Informujte odborníka aj o zmene v telesnej hmotnosti a/alebo úrovni aktivity.

Používateľ by ma vedieť o tom, že sa odporúča pomôcku pravidelne kontrolovať zrakom. Opotrebovanie, ktoré by mohlo ovplyvniť fungovanie pomôcky, treba nahlásiť servisnému pracovníkovi (napr. významné opotrebovanie alebo nadmernú stratu farby po dlhom vystavovaní UV žiareniu).

Čistenie

Vonkajší povrch utrite handričkou navlhčenou vo vode s jemným čistiacim prostriedkom. Nepoužívajte agresívne čistiace prostriedky.

6 Obmedzenie používania

Zamýšľaná životnosť

Na základe aktivity a používania treba posúdiť lokálne riziko.

Zdvíhanie bremien

Hmotnosť a aktivita používateľa sa riadi stanovenými limitmi.

Nosenie bremien používateľom by malo vychádzať z posúdenia lokálnych rizík.

Prostredie

Pomôcku nevystavujte korozívnym vplyvom ako je voda, kyseliny ani iné kvapaliny.

Vyhýbajte sa aj abrazívnemu prostrediu, napríklad prostrediu s obsahom piesku, mohlo by urýchliť predčasné opotrebovanie.

Používajte výhradne pri teplotách od $-15\text{ }^{\circ}\text{C}$ do $50\text{ }^{\circ}\text{C}$.



Možno používať v exteriéri

7 Zarovnanie osadenia

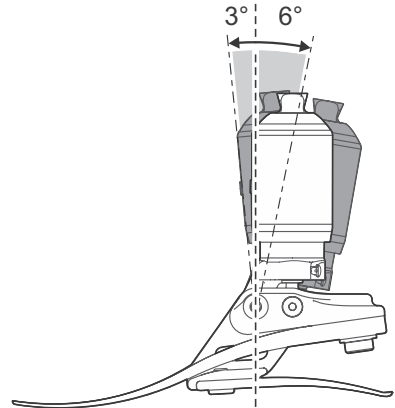
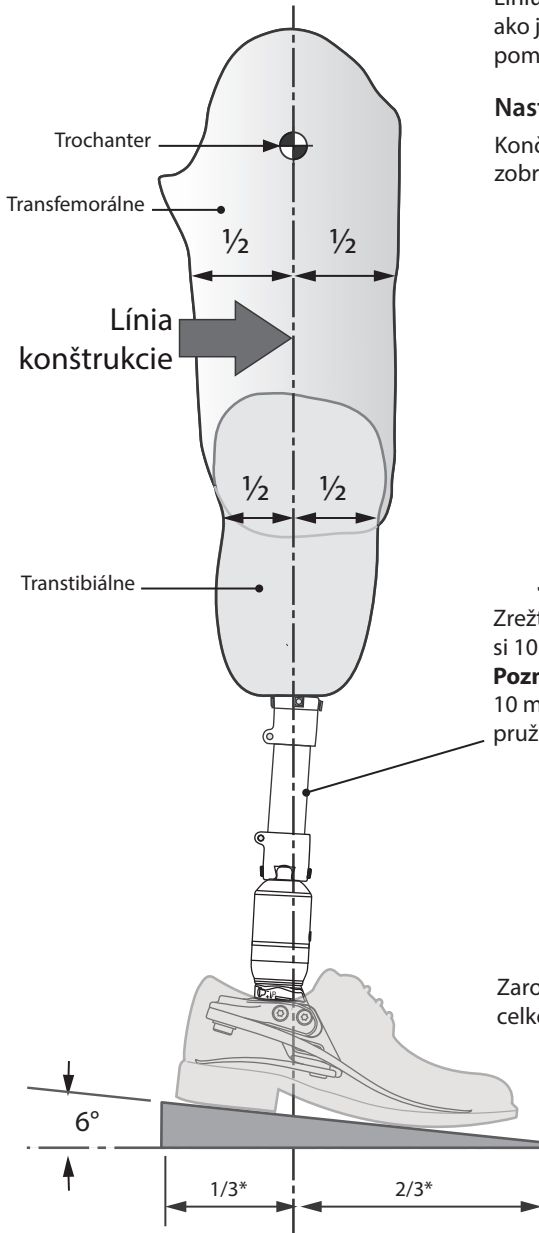
7.1 Statické zarovnanie

Transfemorálne pomôcky zarovnajajte podľa ku kolenu priložených pokynov na osadenie.

Líniu konštrukcie medzi čapmi zachovajte tak, ako je zobrazené, a podľa potreby použite pomôcky na zdvihnutie a/alebo naklonenie.

Nastavenie sklonu

Končatinu zarovnajajte tak, aby ste dosiahli zobrazený rozsah pohybu.



Zrežte píšťalu na približnú dĺžku a nechajte si 10 – 15 mm na záverečné zrezanie.

Poznámka: skúšobná dĺžka zvyčajne zahŕňa 10 mm na axiálne stlačenie päty, prstov a pružiny (axiálne).

Zarovnajajte s topánkou na chodidle ohnutom celkom nadol.

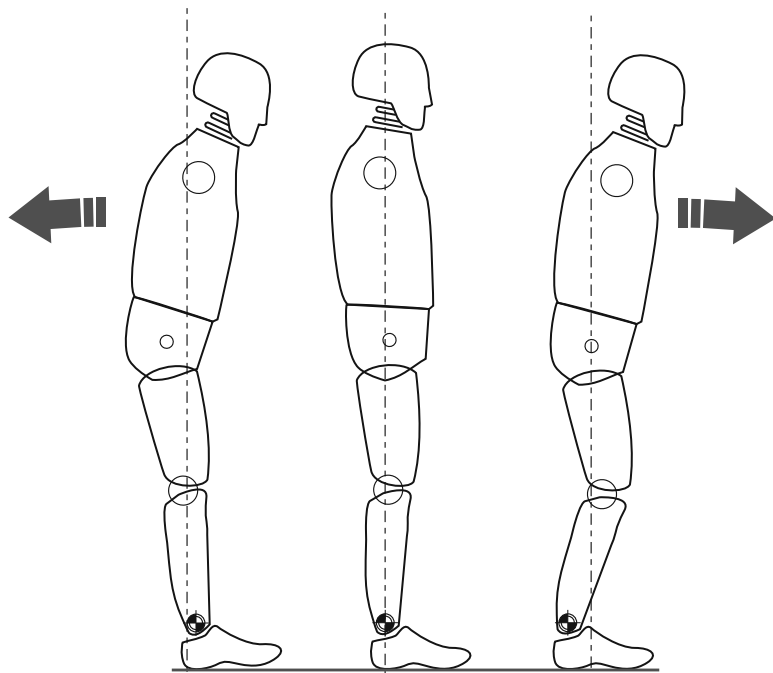
7.2 Biomimetické zarovnanie

Cieľom zarovnania je vytvoriť „rovnovážny bod“ v stoji a nastaviť hydraulicky tlmený rozsah pohybu. Cieľom nastavenia tlmenia je presne vyladiť tuhosť prechodu členok-chodidlo, kým sa nedosiahne pohodlný krok. V dôsledku vyššieho rozsahu pohybu v členku môže používateľ pociťovať potrebu väčšej úmyselnej kontroly a spočiatku počas nastavovania vnímať členok ako prvok, ktorý naruša rovnováhu. To by malo po uspokojivom nastavení rýchlo odoznieť.

Prepad dozadu = [Hyperextenzia]
Predo-zadný posun je príliš vpredu



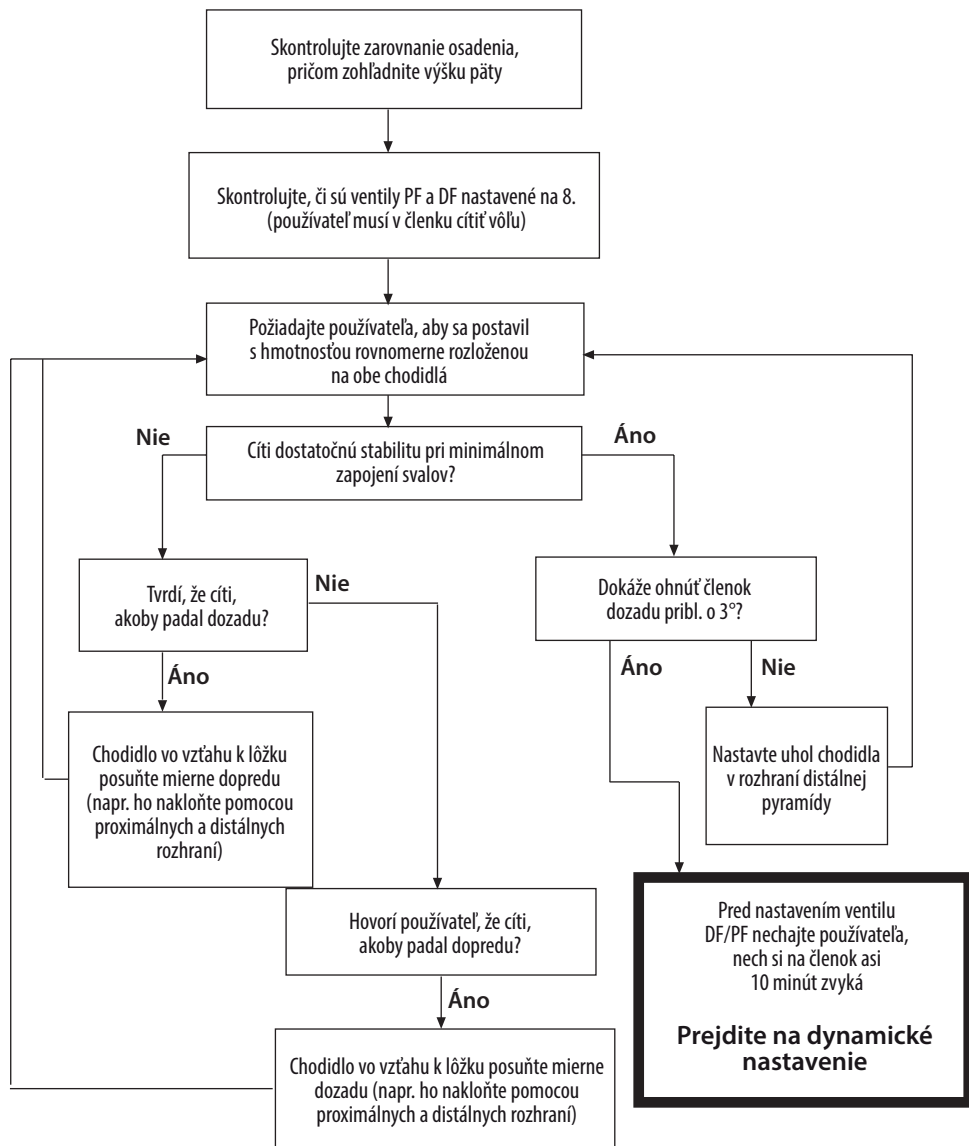
Prepad dopredu = [Hyperflexia]
Predo-zadný posun je príliš vzadu



Dbajte na to, aby bol používateľ uvoľnený a nestál na hrane ohybu chodidla nahor.

7.3 Biomimetické nastavenie

Poznámka... Staticky zarovnajzte pomôcku, pričom dbajte na to, aby sa mal používateľ o čo oprieť, napríklad o rovnobežné tyče. Toto je len zarovnanie v stoji.



Na statické zarovnanie a stoj použite posun.

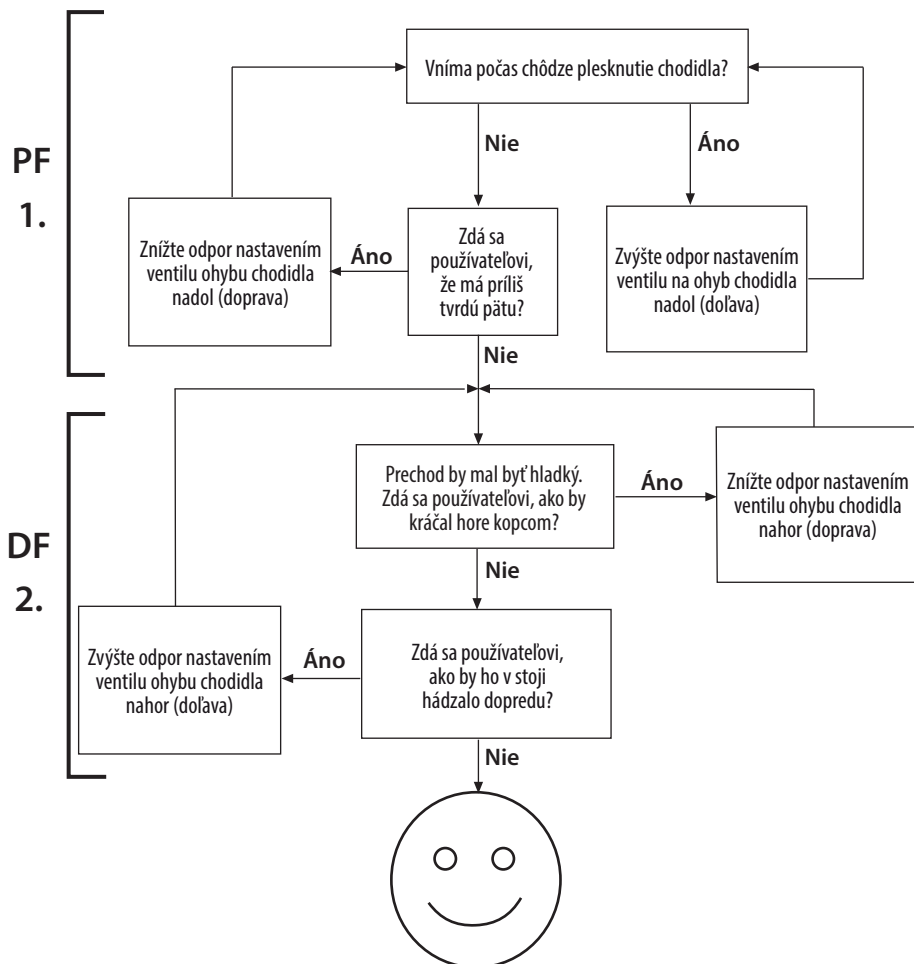
Pomôcka by mala umožňovať určitý stupeň samonastavenia, aby mal používateľ v stoji pocit rovnováhy.

7.4 Dynamické nastavenie

Nastavenie hydraulických ventilov

Používateľ by mal počas krokového cyklu cítiť, že sa členok pohybuje spolu s telom.

Používateľ by nemal pri prekonávaní hydraulického odporu členku vyvíjať žiadne úsilie.



Usmernenie

Po nastavení dynamiky vyskúšajte chodidlo/členok na rampách a schodoch. Dbajte na to, aby sa používateľ cítil uspokojivo v teréne, s ktorým by sa mohol bežne stretnúť. Ak nahlási nepohodlie, problém s použiteľnosťou alebo rozsahom pohybu členka, upravte ho podľa potreby.

8 Odporúčania pri osádzaní

Pri dosahovaní hladkého odvalu a správneho prispôsobenia svahu je dôležité správne zarovnanie (predo-zadná poloha), rozsah pohybu (rozloženie ohybu chodidla nahor a nadol) a úprava nastavenia hydrauliky (pozri časť 7.3 *Biomimetické nastavenie*).

Osové pružiny pomôcky sú navrhnuté tak, aby spolu s pätovou a prstovou pružinou vytvárali pre väčšinu používateľov hladký prechod. Osová pružina ovláda kompresnú a torznú pružnosť odrazu a zvyčajný osový pohyb by mal byť pri normálnej chôdzi medzi 3 – 6 mm.

Pri pomôcke si môžete vybrať zo 4 kategórií osových pružín (podrobnosti nájdete v časti 1).

Doprajte používateľovi čas, aby si zvykol na úvodné nastavenie.

Ak budete mať aj po dodržaní pokynov uvedených nižšie problémy s fungovaním, požiadajte o radu servisný tím v svojej oblasti.

Každá z nasledujúcich situácií bude mať negatívny dopad na funkčnosť a stabilitu:

- Nesprávny výber pružiny
- Nesprávne zarovnanie predo-zadného posunu
- Nesprávne rozloženie rozsahu ohybu chodidla nahor a nadol

	<i>Príznaky</i>	<i>Riešenie</i>
1.	<ul style="list-style-type: none">• Prepad pri dopade na pätu• Ťažkosti pri dosahovaní hladkého prechodu do stredového postoja• Používateľ má pocit, ako keby kráčal hore svahom alebo mu predná časť nohy pripadá príliš dlhá	<ul style="list-style-type: none">• Zvýšte odpor pri ohnutí chodidla nadol• Skontrolujte zarovnanie predo-zadného posunu, skontrolujte, či chodidlo nie je posunuté príliš dozadu• Skontrolujte rozloženie ohybu chodidla nahor a nadol, skontrolujte, či rozsah ohybu chodidla nie je príliš veľký• Skontrolujte, či kategória pružín nie je príliš mäkká, ak áno, osadte pružiny vyššej kategórie
2.	<ul style="list-style-type: none">• Prechod od dopadu na pätu po stred stoja je príliš rýchly• Ťažkosti pri ovládaní odvalu chodidla pri dopade na pätu (znížená stabilita kolena)• Používateľ cíti, že päta je príliš tvrdá, predná časť chodidla je príliš krátka	<ul style="list-style-type: none">• Znížte odpor pri ohnutí chodidla nadol• Skontrolujte zarovnanie predo-zadného posunu, skontrolujte, či chodidlo nie je posunuté príliš dopredu• Skontrolujte rozloženie ohybu chodidla nahor a nadol, skontrolujte primeranosť rozsahu ohybu chodidla nadol• Skontrolujte, či kategória pružín nie je príliš vysoká vzhľadom na hmotnosť a aktivitu pacienta, ak áno, osadte nižšiu kategóriu

	Príznaky	Riešenie
3.	<p>Kontakt päty a prechod sú v poriadku, ale:</p> <ul style="list-style-type: none"> • Predná časť chodidla je príliš mäkká • Predná časť chodidla je príliš krátka • Používateľ má pocit, ako keby kráčal <i>dolu</i> svahom, s prípadnou zníženou stabilitou kolena • Slabý odval 	<ul style="list-style-type: none"> • Zvýšte odpor pri ohnutí chodidla nahor • Skontrolujte zarovnanie predno-zadného posunu, skontrolujte, či chodidlo nie je posunuté príliš dopredu • Skontrolujte rozloženie ohybu chodidla nadol a nahor, skontrolujte, či ohyb nahor nie je nadmerný • Skontrolujte, či kategória pružiny nie je príliš mäkká vzhľadom na hmotnosť a aktivitu pacienta, ak áno, osadte vyššiu kategóriu
4.	<p>Kontakt päty a prechod sú v poriadku, ale:</p> <ul style="list-style-type: none"> • Predná časť chodidla je príliš tvrdá • Predná časť chodidla je príliš dlhá • Pocit ako pri chôdzi do kopca 	<ul style="list-style-type: none"> • Znížte odpor pri ohnutí chodidla nahor • Skontrolujte zarovnanie predno-zadného posunu, skontrolujte, či chodidlo nie je posunuté príliš dozadu • Skontrolujte rozloženie ohybu chodidla nahor a nadol, skontrolujte dostatočnosť rozsahu ohybu nahor • Skontrolujte, či kategória pružín nie je príliš tvrdá vzhľadom na hmotnosť a aktivitu pacienta, ak áno, osadte nižšiu kategóriu

9 Návod na údržbu

⚠ Dávajte pozor na riziko zachytenia prstov.

⚠ Vždy používajte primerané prostriedky osobnej ochrany, aj extrakčné zariadenia.

9.1 Snímanie krytu chodidla



9.2 Výmena pätovej a prstovej pružiny



7

Ak treba osadiť penovú kozmeticko-estetickú časť, zdrsňte vrchnú časť krytu chodidla, čím sa vytvorí ideálny spojovací povrch.

**8**

V prípade potreby namažte palce a pätu. (Kryt chodidla je namazaný vopred).

**9**

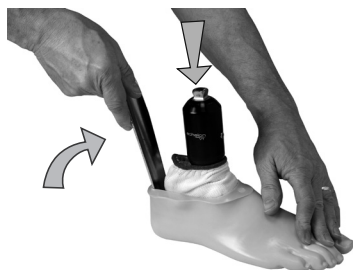
Miesto prstovej pružiny v kryte chodidla.

10

Na zasunutie pätovej pružiny na miesto v kryte chodidla použite vhodné páčidlo.

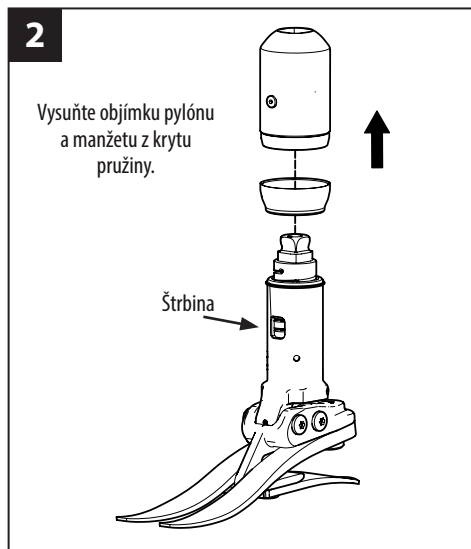
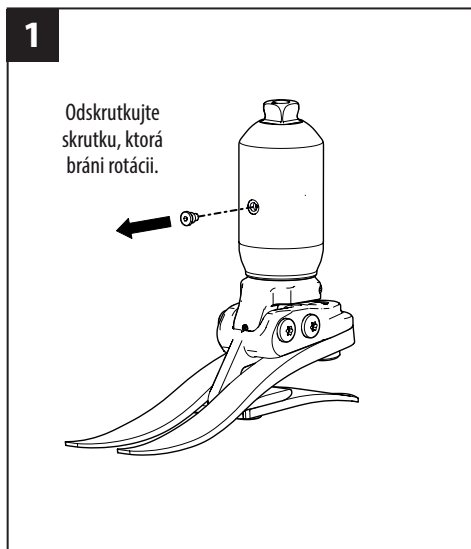
**11**

Skontrolujte, či päťová pružina zapadla do štrbiny.



Ak sa vyžaduje kozmeticko-estetická úprava, obráťte sa na člena obchodného tímu spoločnosti Blatchford.

9.3 Poťah pylónu



Vyčistite a znovu namažte povrch ložiska.

Použite Sapphire Endure (928015) alebo podobné mazivo s PTFE.

9.3.1 Zmontovanie

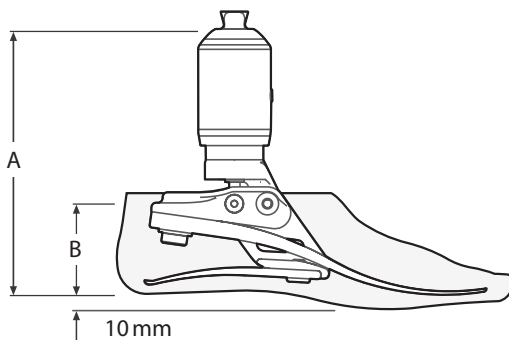
Skontrolujte, či je skrutka, ktorá bráni rotácii, zarovnaná so štrbinou na pylóne, naneste Loctite 243 a dotiahnite ju.

K dispozícii je náhradná manžeta Diel č. 534003

10 Technické údaje

Rozsah prevádzkovej a skladovacej teploty:	-15 °C až 50 °C
Hmotnosť dielu (veľkosť 26N):	1,05 kg
Odporúčaná úroveň aktivity:	3
Maximálna hmotnosť používateľa:	125 kg
Veľkosti:	22 až 30cm
Diel na proximálne zarovnanie:	Samčia pyramída (Blatchford) +/- 7°
Pohybový rozsah členka:	6° nadol až 3° nadol
Maximálna rotácia:	+/- 15°
Typický osový pohyb:	3 – 6 mm [maximum 10 mm]
Výška konštrukcie:*	22 cm – 24 cm 168 mm 25 cm – 26 cm 173 mm 27 cm – 30 cm 178 mm
Výška päty:	10 mm

Dĺžka osadenia



Veľkosť	A
22 – 24	168 mm
25 – 26	173 mm
27 – 30	178 mm

Veľkosť	B
22 – 26	65 mm
27 – 28	70 mm
29 – 30	75 mm

11 Informácie pri objednávaní

Príklad objednávky:

ECVT	25	L	N	3	2	S
	Velkosť	Strana (L/P)	Šírka* (N/W)	Kategória súpravy pružín	Osová pružina	Sandálové prsty

K dispozícii od veľkosti 22 do 30:
ECVT22L11S až ECVT30R84S
ECVT22L11SD až ECVT30R84SD

*Len veľkosti 25 – 28. Pri všetkých ostatných veľkostiach vynechajte políčko šírka.

(ak chcete tmavý odtieň krytu
chodidla, pripíšte „D“)

napr. ECVT25LN12S, ECVT22R34S, ECVT27RW33SD

Súpravy pružín				
Trieda	Veľkosti chodidla			
	Malé (S)	Stredné (M)	Veľké (L)	Extra veľké (XL)
	22 – 24	25 – 26	27 – 28	29 – 30
Súprava 1	539801S	539810S	539819S	539828S
Súprava 2	539802S	539811S	539820S	539829S
Súprava 3	539803S	539812S	539821S	539830S
Súprava 4	539804S	539813S	539822S	539831S
Súprava 5	539805S	539814S	539823S	539832S
Súprava 6	539806S	539815S	539824S	539833S
Súprava 7	539807S	539816S	539825S	539834S
Súprava 8	539808S	539817S	539826S	539835S

Kryt chodidla (pri tmavom odtieni pripíšte „D“)		
Veľkosť/ strana	Úzke	Široké
22L	539038S	-
22R	539039S	-
23L	539040S	-
23R	539041S	-
24L	539042S	-
24R	539043S	-
25L	539044SN	539044SW
25R	539045SN	539045SW
26L	539046SN	539046SW
26R	539047SN	539047SW
27L	539048SN	539048SW
27R	539049SN	539049SW
28L	539050SN	539050SW
28R	539051SN	539051SW
29L	-	539052S
29R	-	539053S
30L	-	539054S
30R	-	539055S

Položka	Č. dielu
Nasúvací ponožkový návlek (veľkosti 22 – 26)	531011
Nasúvací ponožkový návlek (veľkosti 27 – 30)	532811
Kľúč na nastavenie DF/PF, imbusový kľúč 4	940236
Manžeta	534003
Skrutka, ktorá bráni rotácii	534005

Ručenie

Výrobca odporúča používať pomôcku výhradne podľa špecifikovaných podmienok a na to, na čo je určená. Pomôcka sa musí udržiavať podľa priloženého návodu na použitie. Výrobca nezodpovedá za nežiaduci výsledok spôsobený kombináciou ním neschválených komponentov.

Súlada s CE

Tento produkt spĺňa požiadavky nariadenia EÚ 2017/745 o zdravotníckych pomôckach. Produkt je klasifikovaný ako produkt triedy I podľa klasifikačných pravidiel v Dodatku VIII nariadenia. Certifikát o vyhlásení o zhode CE je k dispozícii na nasledujúcej internetovej adrese: www.blatchford.co.uk



Zdravotnícka pomôcka



Jeden pacient – viacnásobné použitie

Kompatibilitnosť

Kombinovanie s produktmi značky Blatchford je schválené na základe testovania v súlade s príslušnými normami a MDR vrátane štrukturálnej skúšky, rozmerovej kompatibility a vlastností v monitorovanej oblasti.

Kombinovanie s alternatívnymi produktmi so značkou CE treba vykonávať s ohľadom na zdokumentované posúdenie lokálnych rizík odborníkom.

Záruka

Na pomôcku sa vzťahuje 36-mesačná záruka – na kryt chodidla 12 mesiacov – na nasúvací ponožkový návlek 3 mesiace. Používateľ by mal vedieť, že zmeny alebo úpravy bez jeho výhradného súhlasu by mohli ukončiť platnosť záruky, prevádzkových licencií a výnimiek. Celé vyhlásenie o záruke nájdete na webovej stránke spoločnosti Blatchford.

Nahlasovanie závažných incidentov

V nepravdepodobnom prípade závažného incidentu v súvislosti s pomôckou ho treba nahlásiť výrobcovi a kompetentnému štátnemu úradu.

Environmentálne aspekty

Tam, kde je to možné, by sa jednotlivé diely mali recyklovať v súlade s miestnymi nariadeniami o nakladaní s odpadom.


Odloženie štítka na balení

Odporúčame odložiť si štítok z balenia ako záznam o dodanej pomôčke.

Potvrdenie o obchodnej známke

Echelon a Blatchford sú registrované obchodné známky spoločnosti Blatchford Products Limited.

Sídlo výrobcu

 Blatchford Products Limited, Lister Road, Basingstoke RG22 4AH, Spojené kráľovstvo.

Tartalom.....	97
1 Leírás és tervezett felhasználás	98
2 Biztonsági információk.....	100
3 Felépítés	101
4 Működés.....	102
5 Karbantartás.....	102
6 A használatot érintő korlátozások.....	103
7 Szintillesztés.....	104
7.1 Statikus illesztés.....	104
7.2 Biometrikus illesztés.....	105
7.3 Biomimetikus beállítás.....	106
7.4 Dinamikus beállítás	107
8 Az illesztésre vonatkozó tanácsok.....	108
9 Karbantartási utasítások.....	110
9.1 A lábfejborítás eltávolítása	110
9.2 A sarok- és lábujjrugók cseréje.....	110
9.3 Pilonhüvely.....	112
10 Műszaki adatok	113
11 Rendelési információk.....	114

1 Leírás és tervezett felhasználás

Ezek az instrukciók az orvosnak szólnak.

Az eszköz kifejezés ebben a dokumentumban az EchelonVT eszközre utal.

Alkalmazás

Az eszköz kizárólag alsó végtagprotézis részeként alkalmazható.

Egyetlen felhasználónál való használatra szolgál.

Az eszköz a protézis korlátozott mértékű önbeállítását biztosítja változatos terepen, illetve a lábbeli cseréjét követően. Arra szolgál, hogy javítsa a poszturális instabilitást és szimmetriát, enyhítve a rendellenes nyomást a tok érintkező felületén. Az eszköz magában foglal egy rugós elemet is, amely képes elnyelni a tengelyirányú és forgási erőhatásokat, aminek célja a megmaradt végtag/tok érintkezési felületét érő nyíróerők csökkentése.

Aktivítási szint

Az eszköz olyan felhasználóknak javasolt, akiknél fennáll a lehetősége a 3. aktivitási szint elérésének, akiknek előnyére válhat a megnövelt stabilitás és a nagyobb magabiztosság egyenetlen felszínen. Az axiális rugó által biztosított további rezgéscsillapítás és energia-visszaadás célja a kényelem és a teljesítmény növelése.

Vannak kivételek, és ajánlásainkban lehetőséget kívánunk adni az egyedi, egyéni körülményeknek. Lehet néhány olyan felhasználó is a 2. és 4.* aktivitási szinten, akiknek előnyére válhat az eszköz által nyújtott nagyobb stabilitás, de ezt a döntést józan és alapos indoklással kell meghozni.

1. aktivitási szint

Képesség vagy lehetőség a protézis alkalmazására sík felületeken állandó ütemben való átkelésre vagy járásra. Jellemző a korlátozott vagy korlátlan otthon végzett járásra.

2. aktivitási szint

Képesség vagy lehetőség járásra, alacsony magasságú környezeti akadályokon, például útpadkán, lépcsőn vagy egyenetlen felületeken való áthaladásra. Jellemző az otthonát elhagyni képes felhasználóra.

3. aktivitási szint

Képesség vagy lehetőség változó ütemű járásra. Jellemző a közösségben mozgó felhasználóra, aki képes áthaladni a legtöbb környezeti akadályon, és olyan foglalkozásbeli, terápiás vagy sporttevékenységet űz, amely a protézis egyszerű helyváltoztatáson túli igénybevételével jár.

4. aktivitási szint

Képesség vagy lehetőség protézissel végzett olyan járásra, amely túllép az alapvető járási képességeken, erős behatást, nagy terhelést vagy energiaszintet mutat. A gyermekek, az aktív felnőttek vagy a sportolók protetikusan igényeire jellemző.* A felhasználó maximális súlya 100 kg, és mindig használjon eggyel magasabb besorolású rugót, mint ami A rugókészlet kiválasztása táblázatban látható.

(* a felhasználó maximális súlya 100 kg, és mindig használjon eggyel magasabb besorolású rugót, mint ami A rugókészlet kiválasztása táblázatban látható.)

Ellenjavallatok

Lehetséges, hogy ez az eszköz nem alkalmas 1. aktivitási szintű személyeknek vagy versenysportra, mivel ezeket a felhasználókat jobban szolgálja olyan, speciálisan kialakított protézis, amely az ő szükségleteikre van optimalizálva.

Győződjön meg arról, hogy a felhasználó megértette a teljes használati útmutatót, különösen felhívjuk figyelmét a karbantartásra vonatkozó részre.

Klinikai előnyök

- A talajtól való nagyobb távolság csökkenti a megbotlás és elesés kockázatát
- Jobb egyensúly az önbeállításon keresztül
- Jobb talajfogás a lejtőn való manőverezéshez
- Jobb kinetikus mozgásszimmetria
- Csökkent terhelés a megmaradt végtagon
- Csökkent terhelési arány a megmaradt végtagon
- Csavarodáskor kisebb mértékű hátfájás
- Nagyobb járási sebesség

A rugókészlet kiválasztása

3. aktivitási szint

44-52	53-59	60-68	69-77	78-88	89-100	101-116	117-125 kg
1	2	3	4	5	6	7	8
	●	●●	●●●	●●●●	●●●●●	●●●●●●	●●●●●●●
1		2		3		4	

A felhasználó testsúlya

Lábfejrugó-készlet

Az axiális rezgéscsillapító rugó besorolása

Megjegyzés... Ha két kategória közötti választásban bizonytalan, válassza a magasabb besorolású rugókészletet. Az itt látható lábfejrugó-készlet ajánlás transztibiális felhasználók számára készült.

Azt javasoljuk, hogy transzfemorális amputált felhasználóknak egy kategóriával alacsonyabb rugókészletet válasszanak a kielégítő működés és mozgástartomány biztosítása érdekében, lásd szakaszban 8 *Az illesztésre vonatkozó tanácsok*.

2 Biztonsági információk



Ez a figyelmeztető szimbólum kiemeli a fontos biztonsági információkat, amelyeket gondosan követni kell.



A végtag teljesítményében vagy működésében jelentkező bármilyen változást, például korlátozott mozgást, nem sima mozgást vagy szokatlan zajt haladéktalanul jelenteni kell a szolgáltatónak.



Lépcsőn lefelé menet és bármikor, amikor rendelkezésre áll, használjon korlátot.



Az eszköz nem alkalmas extrém sportokra, futásra vagy kerékpárversenyre, jégen és havon végzett sportokra, extrém lejtőkre és lépcsőkre. Bármilyen hasonló tevékenységet teljes mértékben a felhasználó saját kockázatára végez. A rekreációs kerékpározás elfogadható.



Az eszköz összeszerelését, karbantartását és javítását kizárólag megfelelően képzett orvos végezheti.



A felhasználó forduljon a klinikushoz, ha állapota változik.



Ügyeljen arra, hogy vezetéskor csak megfelelően átalakított járművet használjon. Gépjárművek működtetése során minden személynek be kell tartania a vonatkozó vezetési jogszabályokat.



A megcsúszás és megbotlás kockázatának minimálisra csökkentése érdekében mindig megfelelő lábbelit kell viselni, amely biztonságosan illeszkedik a lábfejborításra.



Folyamatos használatot követően a boka burkolata érintésre forró lehet.



Ne tegye ki szélsőséges melegnek és/vagy hidegnek.



A felhasználónak tilos módosítania vagy manipulálnia az eszköz beállításait.

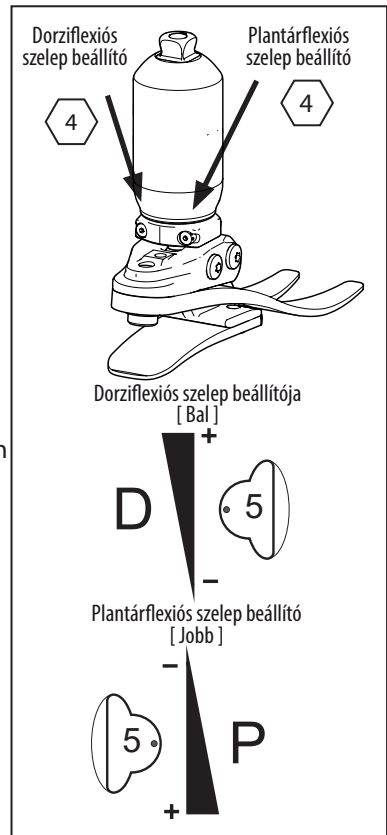
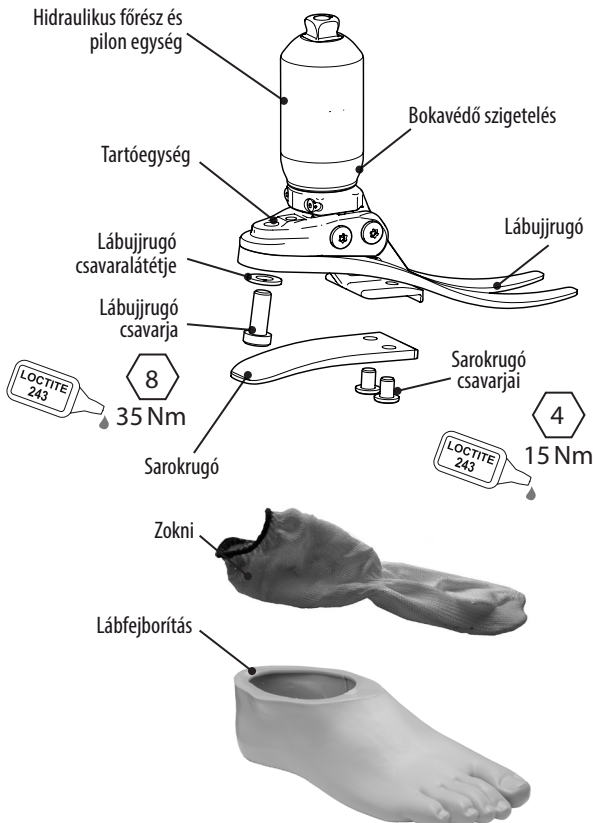


Mindig ügyeljen az ujj becsípődésének veszélyére.

3 Felépítés

Fő alkatrészek

- Hidraulikus főrészes és pilon egység (alumínium/rozsdamentes acél/titán)
- Tartóegység (alumínium/rozsdamentes acél)
- Sarok- és lábujjrugók (e-karbon)
- Rugórögzítő csavarok (rozsdamentes acél/titán)
- Zokni (UHM PE)
- Lábfejborítás (PU)



4 Működés

Az eszköz hidraulikus főrészegységből áll, amely állítható hidraulikus szelepeket tartalmaz. A szelepek függetlenül állíthatók a plantárflexió és a dorziflexió hidraulikus ellenállásának növelése és csökkentése érdekében.

A hidraulikus főrészegység proximális része magában foglal egy rugó összetevőt, amely lehetővé teszi, hogy a piramiscső elhajljon és/vagy korlátozott tartományban forogjon axiális és/vagy torziós terhelés alatt. A terhelés elvételekor a rugó visszatér eredeti helyzetébe. E mozgás hatása az, hogy csillapítson bármilyen olyan erőhatást, amely egyébként a megmaradt végtag/tok érintkező felületére továbbbítódna mind axiális, mind forgási irányba.

A hidraulikus főrészegység két forgócsapon keresztül egy tartóegységhez csatlakozik. A sarok- és lábujjrugók titán és rozsdamentes acél csavarokkal vannak rögzítve a tartóegységhez. A lábra ultranagy molekulatömegű PE zoknit húznak, amelyet PU lábfejbőrítés vesz körül.

5 Karbantartás

A karbantartást hozzáértő személynek kell végeznie.

A következő karbantartást javasolt évente elvégezni:

- Ellenőrizze, nincs-e olyan látható meghibásodás, amely befolyásolhatja a megfelelő működést
- Tisztítsa meg és olajozza újra a teherviselő felületet. Használjon Sapphire Endure (928015) vagy annak megfelelő PTFE-vel (teflonnal) töltött kenőanyagot (lásd 9. szakasz, *Karbantartási utasítások*).
- Vegye le a lábfejbőrítést és a zoknit, ellenőrizze, hogy nincs-e sérülés vagy kopás, és szükség esetén cserélje ki.
- Ellenőrizze az összes csavar szorosságát, szükség esetén tisztítsa meg és szerelje össze újra.
- Szemrevételezéssel ellenőrizze a sarok- és a lábujjrugókat, nem váltak-e szét vagy nem koptak-e el, és szükség esetén cserélje ki őket. Valamennyi felületi sérülés előfordulhat a használat következtében, azonban ez nem befolyásolja a lábfej működését vagy erejét.

Az eszköz teljesítményének bármilyen változásáról be kell számolni az orvosnak. A teljesítmény megváltozásába tartozhat például:

- A boka merevségének fokozódása
- Az axiális vagy torziós merevség változása
- A bokatámasztás (szabad mozgás) csökkenése
- A rugók puhábbá válása
- A csapágyak túl nagy holtjátéka
- Bármilyen szokatlan zaj

Javasoljuk, hogy a felhasználó forduljon az orvoshoz, ha állapota változik.

Az orvost tájékoztatni kell a testsúly és/vagy az aktivitási szint bármilyen változásáról is.

A felhasználót tájékoztatni kell arról, hogy a lábfej rendszeres, szemrevételezéssel történő ellenőrzése javasolt, és a működést esetleg befolyásoló kopás jeleit jelenteni kell a szolgáltatónak (pl. jelentős kopás vagy túlzott elszíneződés UV sugárzásnak való hosszan tartó expozíció miatt).

Tisztítás

Nedves ruhával és enyhe szappanos vízzel tisztítsa meg a külső felületeket. Ne használjon agresszív tisztítószeret.

6 A használatot érintő korlátozások

A tervezett élet

Helyi kockázatértékelést kell elvégezni az aktivitás és a felhasználás alapján.

Súlyok emelése

A felhasználó súlyát és aktivitását a megállapított határértékek szabályozzák.

A felhasználó által vitt súlyt a helyi kockázatértékelés alapján kell meghatározni.

Környezet

Ne tegye ki az eszközt korrozív anyagoknak, például víznek, savaknak vagy más folyadékoknak. Kerülje a dörzshatású – például homokos – környezetet is, mivel ez elősegítheti az idő előtti kopást.

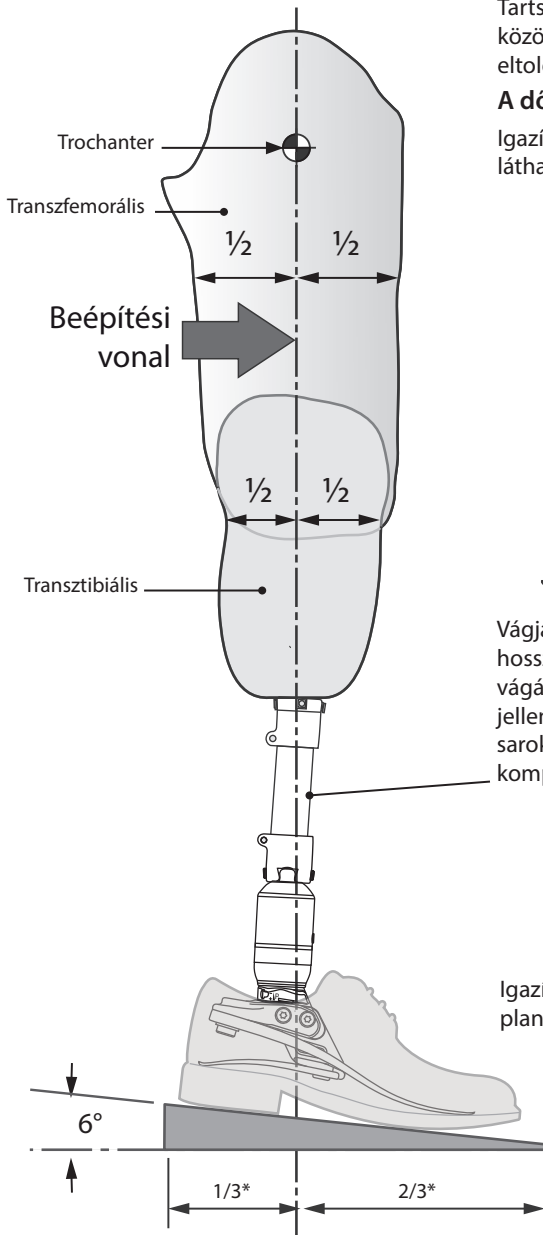
Kizárólag -15 °C és 50 °C közötti használatra.



Szabadtéri használatra alkalmas

7 Szintillesztés

7.1 Statikus illesztés

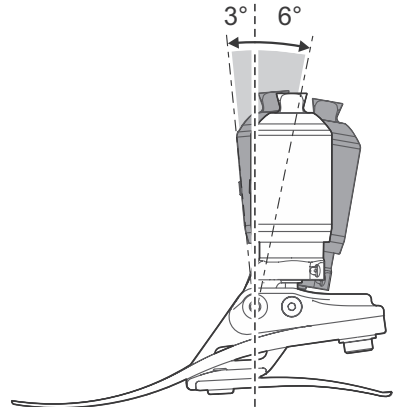


Igazítsa a transzfemorális eszközöket a térdhez mellékelt illesztési útmutató szerint.

Tartsa a beépítési vonalat a tengelycsapok között az ábrán látható módon, szükség esetén eltoló- és/vagy döntő eszközöket alkalmazva.

A dőlés beállítása

Igazítsa úgy a végtagot, hogy elérje az itt látható mozgástartományt.



Vágja el a lábszárat megközelítőleg hosszúságra, 10-15 mm-t hagyva a végleges vágásra. **Megjegyzés:** a próbahossz jellemzően magában foglal 10 mm-t a sarok, a lábujj és a(z) axiális rugó axiális kompressziójához.

Igazítsa úgy, hogy a cipő és a lábfej teljesen plantárflektált.

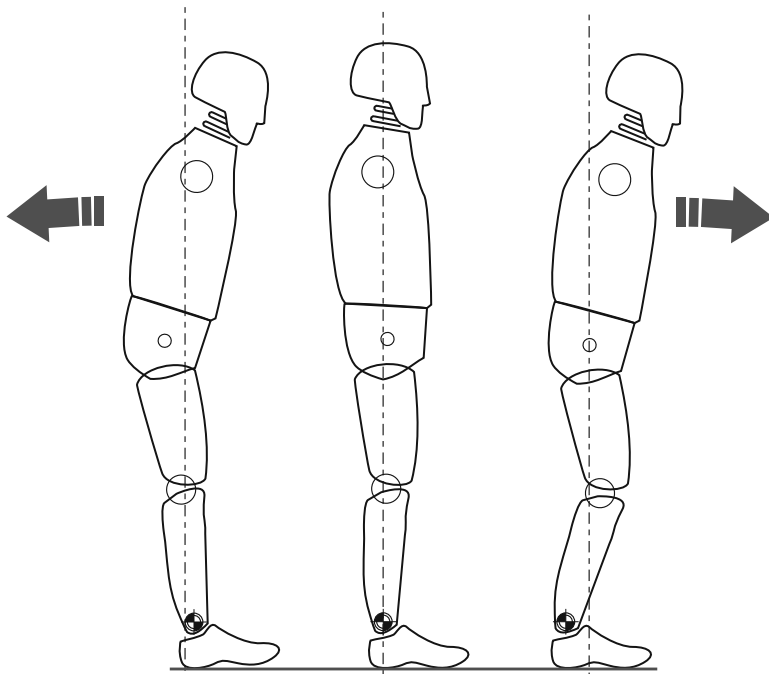
7.2 Biometrikus illesztés

Az igazítás célja egy „egyensúlyi pont” elérése állás közben, illetve a hidraulikailag csökkent mozgástartomány beállítása. A csillapító beállítás célja a boka–lábfej átgördülés merevség karakterisztikájának finomhangolása a kényelmes járás eléréséig. A boka által biztosított nagyobb mozgástartomány miatt a felhasználó azt tapasztalhatja, hogy nagyobb akarlatlagos kontrollra van szükség, és kezdetben lehangelőnek találhatja a bokát a beállítás során. Ennek a kielégítő beállítás befejezését követően rövid idő alatt el kell múlnia.

Hátrafelé esés = [hiperextenzió]
A- P elmozdulás túlságosan előre



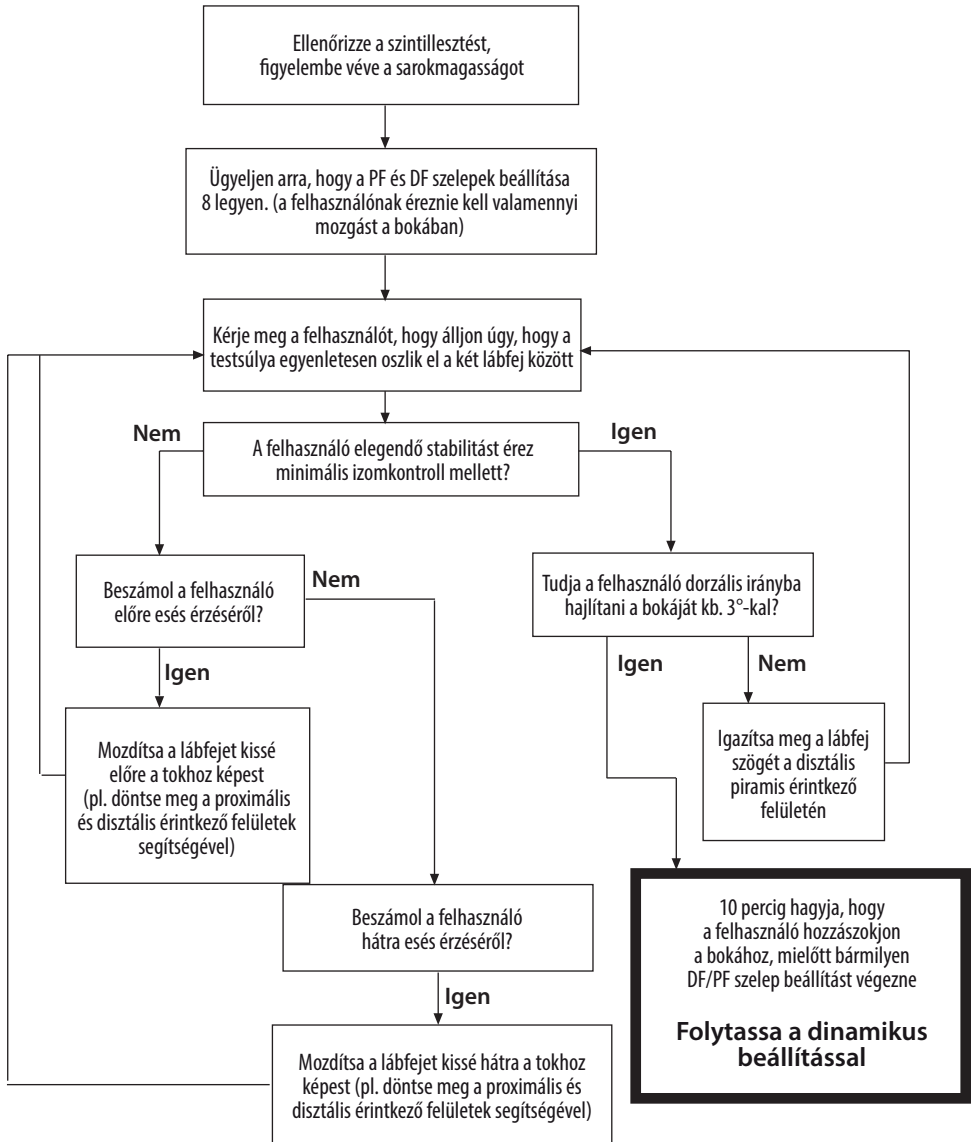
Előrefelé esés = [hiperflexió]
A-P elmozdulás túlságosan hátra



Győződjön meg arról, hogy a felhasználó testtartása laza, és nem pihen a dorziflexió határon.

7.3 Biomimetikus beállítás

Megjegyzés... A statikus illesztést úgy végezze el, hogy a felhasználónak van valamilyen támasza, például párhuzamos korlát. Ez csak álló igazítás.



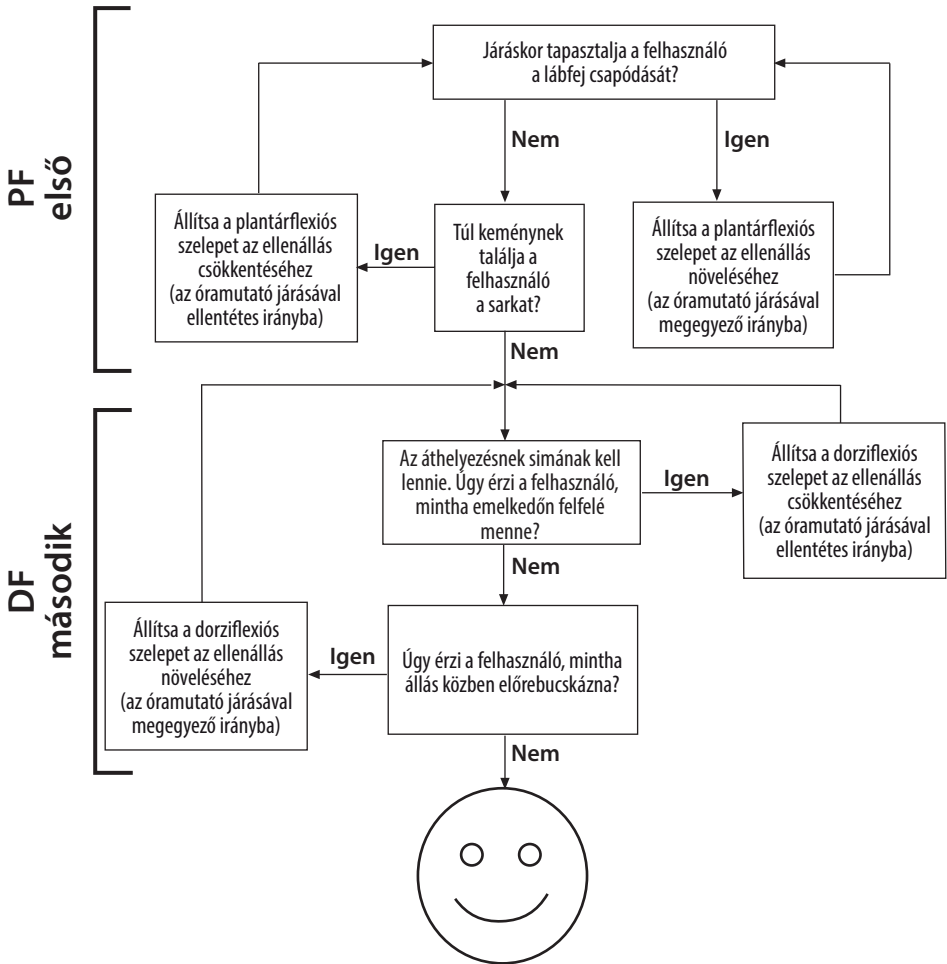
A statikus illesztéshez és álláshoz használjon elmozdítást.

Az eszköznek ösztönöznie kell bizonyos mértékű önbeállítást, hogy a felhasználó állás közben egyensúly érzését érje el.

7.4 Dinamikus beállítás

A hidraulikus szelepek beállítása

A felhasználónak azt kell tapasztalnia, hogy a boka a testtel együtt mozog a járáscikluson keresztül. Nem szabad, hogy a felhasználó erőfeszítést tegyen a boka hidraulikus ellenállásának legyőzése érdekében.



Útmutató

A dinamikus beállítást követően próbálja ki a lábfejet/bokát rámpán és lépcsőn. Győződjön meg arról, hogy a felhasználó kényelmesen érzi magát azon a terepen, amivel rendes körülmények között várhatóan találkozni fog. Ha a felhasználó a boka bármilyen kényelmi, használhatósági vagy mozgástartományt érintő problémájáról számol be, módosítsa annak megfelelően.

8 Az illesztésre vonatkozó tanácsok

A megfelelő igazítás (A–P pozíció), mozgástartomány (eloszlás a plantárflexiótól a dorziflexióig) és a hidraulikai beállítások szabályozása nélkülözhetetlen a sima átgördülés és a lejtőhöz való helyes adaptáció eléréséhez (lásd szakaszban 7.3 *Biomimetikus beállítás*).

Az eszköz axiális rugói arra szolgálnak, hogy együttműködjenek a sarok- és lábujjrugóval abban, hogy a legtöbb felhasználó számára sima haladást biztosítsanak. Az axiális rugó a kompressziós és torziós rugalmasságot egyaránt szabályozza. A jellemző axiális mozgásnak 3–6 mm között kell lennie normál járás esetén.

Az eszköz négyféle besorolását axiális rugóval kapható (a részleteket lásd az 1. szakaszban).

Hagyjon egy kis időt a felhasználónak, hogy megszokhassa a kezdeti beállítást.

Ha az alábbi instrukciók követése után még mindig működési problémákat tapasztal, kérjük, forduljon tanácsért az Ön területén található értékesítési csoporthoz.

A következők bármelyike negatívan hat a funkcióra és a stabilitásra:


- Helytelen rugóválasztás
- Helytelen A–P elmozdulás beállítás
- A plantárflexiós és dorziflexiós tartomány helytelen eloszlása

	Tünetek	Megoldás
1.	<ul style="list-style-type: none">• Süllyedés a sarok talajra érzékesekor• Nehezen érhető el sima haladás az átgördülésbe• A felhasználó azt érzi, hogy emelkedőn felfelé megy, vagy a lábfej első része túl hosszúnak érződik	<ul style="list-style-type: none">• Növelje a plantárflexiós ellenállást• Ellenőrizze az A–P elmozdulás beállítását; győződjön meg arról, hogy a lábfej nem túlságosan anterior irányban helyezkedik el• Ellenőrizze a plantárflexiós és a dorziflexiós mozgás eloszlását; győződjön meg arról, hogy a plantárflexiós tartomány nem túl nagy• Ellenőrizze, hogy rugó kategóriája nem túl puha-e; ha igen, helyezzen be magasabb besorolású rugót
2.	<ul style="list-style-type: none">• A sarok talajra érzékesétől az átgördülésig haladás túl gyors• A sarokra érzékeskor nehezen kontrollálható a lábfejtől érkező energia visszaadása (csökkent térdstabilitás)• A felhasználó azt érzi, hogy a sarok túl kemény, a lábfej első része túl rövid	<ul style="list-style-type: none">• Csökkentse a plantárflexiós ellenállást• Ellenőrizze az A–P elmozdulás beállítását; győződjön meg arról, hogy a lábfej nem túlságosan posterior irányban helyezkedik el• Ellenőrizze a plantárflexiós és a dorziflexiós mozgás eloszlását; győződjön meg arról, hogy megfelelő a plantárflexiós tartomány• Ellenőrizze, hogy a rugó kategóriája nem túl magas-e a beteg testsúlyához és aktivitási szintjéhez. Ha az, helyezzen be alacsonyabb kategóriájú rugót

	Tünetek	Megoldás
3.	<p>A sarok érintkezése és az előrehaladás rendben lévőnek tűnik, de:</p> <ul style="list-style-type: none"> • A lábfej első része túl puhának érződik • A lábfej első része túl rövidnek érződik • A felhasználó azt érzi, hogy lejtőn <i>lefelé</i> megy, esetlegesen csökkent térdstabilitással • Az energia-visszaadás hiánya 	<ul style="list-style-type: none"> • Növelje a dorziflexió ellenállást • Ellenőrizze az A–P elmozdulás beállítását; győződjön meg arról, hogy a lábfej nem túlságosan posterior irányban helyezkedik el • Ellenőrizze a plantárflexió és a dorziflexió mozgás eloszlását; győződjön meg arról, hogy nincs túl nagy dorziflexió mozgástartomány • Ellenőrizze, hogy a rugó kategóriája nem túl puha-e a beteg testsúlyához és aktivitási szintjéhez. Ha az, helyezzen be magasabb kategóriájú rugót
4.	<p>A sarok érintkezése és az előrehaladás rendben lévőnek tűnik, de:</p> <ul style="list-style-type: none"> • A lábfej első része túl merevnek érződik • A lábfej első része túl hosszúnak érződik • A felhasználó úgy érzi, mintha emelkedőn <i>felfelé</i> menne 	<ul style="list-style-type: none"> • Csökkentse a dorziflexió ellenállást • Ellenőrizze az A–P elmozdulás beállítását; győződjön meg arról, hogy a lábfej nem túlságosan anterior irányban helyezkedik el • Ellenőrizze a plantárflexió és a dorziflexió mozgás eloszlását; győződjön meg arról, hogy elegendő a dorziflexió tartomány • Ellenőrizze, hogy a rugó kategóriája nem túl merev-e a beteg testsúlyához és aktivitási szintjéhez. Ha az, helyezzen be alacsonyabb kategóriájú rugót

9 Karbantartási utasítások

 **Mindig ügyeljen az ujj becsípődésének veszélyére.**

 **Mindig használjon megfelelő egészségvédő és biztonsági felszerelést, ideértve az eltávolító eszközöket.**

9.1 A lábfejborítás eltávolítása

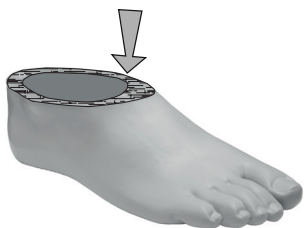


9.2 A sarok- és lábujjrugók cseréje



7

Ha habkozmezist helyez fel, érdesítse fel a lábfejborítás felül lévő felszínét, hogy ideális kötőfelületet biztosítson.

**8**

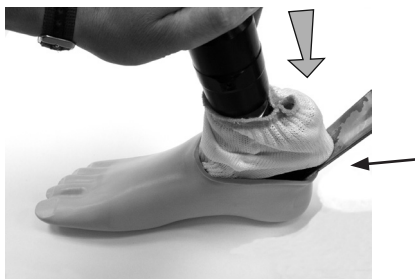
Szükség esetén kenje meg a lábujjat és a sarkat. (A lábfejborítás előre olajozva van).

**9**

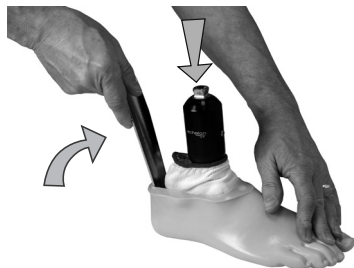
A lábujjrugó helye a lábfejborításban.

10

Megfelelő erőkaral segítse a sarokrugót a lábfejborításban lévő helyére.

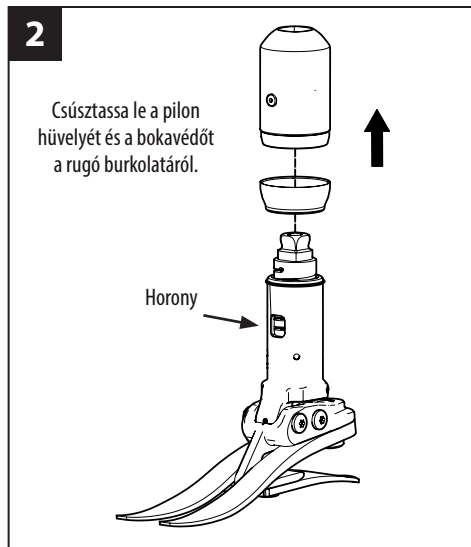
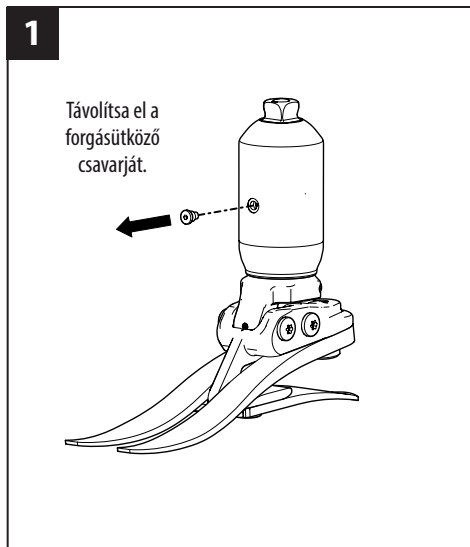
**11**

Győződjön meg arról, hogy a sarokrugó rögzült a horonyban.



Ha kozmetikai felületkezelés szükséges, kérjük, forduljon a Blatchford értékesítési csoport tagjához.

9.3 Pilonhüvely



Tisztítsa meg és olajozza újra a teherviselő felületet.

Használjon Sapphire Endure (928015) vagy annak megfelelő PTFE-vel töltött kenőanyagot.

9.3.1 Újbóli összeszerelés

Ügyeljen arra, hogy a forgásütköző csavar egy vonalba esik a pilonon lévő horonnyal.

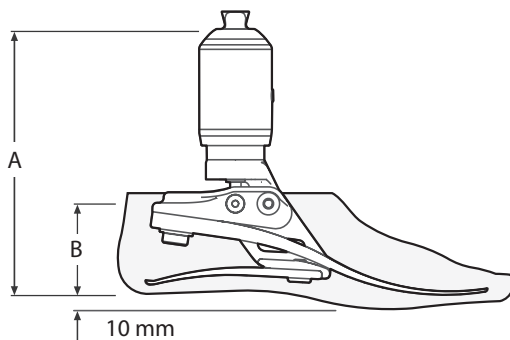
Használjon Loctite 243 csavarrögzítőt, és húzza meg.

Csere bokavédő kapható, alkatrészszám 534003

10 Műszaki adatok

Üzemi és tárolási hőmérséklet-tartomány	-15 °C–50 °C
Az alkatrész súlya (26N méret):	1,05 kg
Ajánlott aktivitási szint:	3
A felhasználó maximális súlya:	125 kg
Méretek:	22–30 cm
Proximális igazítás csatlakozása:	csatlakozódugós piramis (Blatchford) +/- 7°
A boka mozgástartománya:	6° plantárflexiótól 3° dorziflexióig
Maximális rotáció:	+/- 15°
Jellemző tengelymozgás:	3–6 mm [maximum 10 mm]
Beépítési magasság:*	22 cm–24 cm 168 mm 25 cm–26 cm 173 mm 27 cm–30 cm 178 mm
Sarokmagasság:	10 mm

Illesztési magasság



Méret	A
22–24	168 mm
25–26	173 mm
27–30	178 mm

Méret	B
22–26	65 mm
27–28	70 mm
29–30	75 mm

11 Rendelési információk

Megrendelési példa:

ECVT	25	L	N	3	2	S
	Méret	Oldal	Szélesség* (B/J)	A rugókészlet kategóriája	Axiális rugó	Szandál lábujj

Kapható 22-es mérettől
30-as méretig:
ECVT22L11S–ECVT30R84S
ECVT22L11SD–ECVT30R84SD

* Csak 25–28-es méret. Minden más méretnél hagyja üresen a
Szélesség mezőt.
pl. ECVT25LN12S, ECVT22R34S, ECVT27RW33SD

(sötét színű lábfejborításhoz
tegye hozzá a „D” jelzést)

Rugókészletek				
Besorolás	Lábfejméretek			
	Kicsi (S)	Közepes (M)	Nagy (L)	Extra nagy (XL)
	22–24	25–26	27–28	29–30
1. készlet	539801S	539810S	539819S	539828S
2. készlet	539802S	539811S	539820S	539829S
3. készlet	539803S	539812S	539821S	539830S
4. készlet	539804S	539813S	539822S	539831S
5. készlet	539805S	539814S	539823S	539832S
6. készlet	539806S	539815S	539824S	539833S
7. készlet	539807S	539816S	539825S	539834S
8. készlet	539808S	539817S	539826S	539835S

Lábfejborítás (sötét színűhöz tegye hozzá a „D” jelzést)

Méret/ Oldal	Keskeny	Széles
22L	539038S	-
22R	539039S	-
23L	539040S	-
23R	539041S	-
24L	539042S	-
24R	539043S	-
25L	539044SN	539044SW
25R	539045SN	539045SW
26L	539046SN	539046SW
26R	539047SN	539047SW
27L	539048SN	539048SW
27R	539049SN	539049SW
28L	539050SN	539050SW
28R	539051SN	539051SW
29L	-	539052S
29R	-	539053S
30L	-	539054S
30R	-	539055S

Tétel	Alkatrész- szám
Zokni (22–26-os méret)	531011
Zokni (27–30-os méret)	532811
DF/PF beállító kulcs, 4 A/F imbuszkulcs	940236
Bokavédő	534003
Forgásütőköző csavar	534005

Felelősség

A gyártó azt javasolja, hogy az eszközt csak a megadott körülmények között és a tervezett célokra használják. Az eszköz karbantartását az ahhoz mellékelt használati útmutató szerint kell végezni. A gyártó nem felel semmilyen olyan nemkívánatos kimenetelért, amelyet általa jóvá nem hagyott alkatrész-kombináció okoz.

CE-megfelelőség

Ez a termék megfelel az orvostechnikai eszközökre vonatkozó 2017/745 európai uniós rendelet követelményeinek. Ezt a terméket 1. osztályú termékként sorolták be a rendelet VIII. mellékletében meghatározott osztályozási szabályok szerint. Az európai uniós megfelelőségi nyilatkozat a következő internetes oldalon érhető el: www.blatchford.co.uk



Orvostechnikai eszköz



Egy beteg – többszöri felhasználás

Összeférhetőség

A Blatchford márkájú termékekkel való összeállítás a vonatkozó szabványok és az orvostechnikai eszközökre vonatkozó rendelet (MDR) szerint végzett tesztelés alapján engedélyezett, ideértve a szerkezeti vizsgálatot, a méretek összeférhetőségét és az ellenőrzött helyszíni teljesítményt. Más, CE-jelzéssel ellátott termékekkel való összeállítást orvos által végzett, dokumentált helyi kockázatértékelésre figyelemmel kell elvégezni.

Jótállás

Az eszközre 36 hónap jótállás, a lábfejborításra 12 hónap, a zoknira pedig 3 hónap jótállás vonatkozik. A felhasználónak tisztában kell lennie azzal, hogy a kifejezetten jóvá nem hagyott változtatások vagy módosítások érvényteleníthetik a jótállást, a működési engedélyeket és mentességeket. A teljes jótállási nyilatkozatot lásd a Blatchford weboldalán.

A súlyos incidensek jelentése

Abban a valószínűtlen esetben, ha súlyos incidens történne az eszközzel kapcsolatban, azt jelenteni kell a gyártónak és az illetékes nemzeti hatóságnak.

Környezetvédelmi szempontok

Hacsak lehetséges, az alkatrészeket a helyi hulladékkezelési szabályozások szerint újra kell hasznosítani.

A csomagolás címkéjének megőrzése

Javasoljuk, hogy őrizze meg a csomagolás címkéjét a biztosított eszköz dokumentálásaként.

Védjegyre vonatkozó elismervények

Az Echelon és a Blatchford a Blatchford Products Limited bejegyzett védjegye.

A gyártó székhelye

 Blatchford Products Limited, Lister Road, Basingstoke RG22 4AH, Egyesült Királyság

Περιεχόμενα.....	116
1 Περιγραφή και σκοπός για τον οποίο προορίζεται.....	117
2 Πληροφορίες για την ασφάλεια.....	119
3 Κατασκευή.....	120
4 Λειτουργία.....	121
5 Συντήρηση.....	121
6 Περιορισμοί για τη χρήση.....	122
7 Εργαστηριακή ευθυγράμμιση.....	123
7.1 Στατική ευθυγράμμιση.....	123
7.2 Βιομημητική ευθυγράμμιση.....	124
7.3 Βιομημητική ρύθμιση.....	125
7.4 Δυναμική ρύθμιση.....	126
8 Οδηγίες προσαρμογής.....	127
9 Οδηγίες συντήρησης.....	129
9.1 Αφαίρεση κελύφους πέλματος.....	129
9.2 Αντικατάσταση ελατηρίων πτέρνας και δακτύλων.....	129
9.3 Περίβλημα πυλώνα.....	131
10 Τεχνικά στοιχεία.....	132
11 Πληροφορίες παραγγελίας.....	133

1 Περιγραφή και σκοπός για τον οποίο προορίζεται

Οι οδηγίες αυτές προορίζονται για χρήση από τον ιατρό.

Ο όρος *συσκευή* όπως χρησιμοποιείται σε αυτό το έγγραφο αναφέρεται στο EchelonVT.

Εφαρμογή

Η συσκευή αυτή πρέπει να χρησιμοποιείται αποκλειστικά ως μέρος μιας πρόθεσης κάτω άκρου. Προορίζεται για έναν μόνο χρήστη.

Η συσκευή παρέχει περιορισμένη αυτοευθυγράμμιση της πρόθεσης σε διάφορα εδάφη και μετά από αλλαγές υποδημάτων. Προορίζεται για τη βελτίωση της ταλάντωσης και συμμετρίας της στάσης, περιορίζοντας ταυτόχρονα τις αφύσικες πιέσεις στη διεπαφή της θήκης. Η συσκευή περιλαμβάνει επίσης ένα στοιχείο ελατηρίου ικανό να απορροφά αξονικές και περιστροφικές προσκρούσεις και προορίζεται για τη μείωση των διατμητικών καταπονήσεων στη διεπαφή κολοβώματος/θήκης.

Επίπεδο σωματικής δραστηριότητας

Αυτή η συσκευή συνιστάται για χρήστες με δυνατότητα επίτευξης επιπέδου σωματικής δραστηριότητας 3, οι οποίοι ενδέχεται να επωφεληθούν από αυξημένη σταθερότητα και αύξηση της σιγουριάς σε ανώμαλες επιφάνειες. Η πρόσθετη απορρόφηση κραδασμών και η επαναφορά ενέργειας που παρέχονται από το αξονικό ελατήριο στοχεύουν στη βελτίωση της άνεσης και της απόδοσης.

Υπάρχουν εξαιρέσεις και στη σύστασή μας θέλουμε να υπάρχει πρόβλεψη για μοναδικές, ατομικές περιστάσεις. Ενδέχεται επίσης να υπάρχουν ορισμένοι χρήστες στα επίπεδα σωματικής δραστηριότητας 2 και 4* που θα μπορούσε να επωφεληθούν από την αυξημένη σταθερότητα που προσφέρει η συσκευή, αλλά η απόφαση αυτή θα πρέπει να λαμβάνεται με βάσιμη και διεξοδική αιτιολόγηση.

Επίπεδο σωματικής δραστηριότητας 1

Ο χρήστης έχει την ικανότητα ή τη δυνατότητα να χρησιμοποιεί πρόθεση για μετακινήσεις ή βάδιση σε επίπεδες επιφάνειες, με σταθερό ρυθμό. Αυτό είναι χαρακτηριστικό του περιορισμένου και μη περιορισμένου περιπατητή.

Επίπεδο σωματικής δραστηριότητας 2

Ο χρήστης έχει την ικανότητα ή τη δυνατότητα για βάδιση και μπορεί να διαβαίνει περιβαλλοντικά εμπόδια χαμηλού επιπέδου, όπως πεζοδρόμια, σκαλιά ή ανώμαλες επιφάνειες. Αυτό είναι χαρακτηριστικό του περιορισμένου περιπατητή που βγαίνει στην κοινωνία.

Επίπεδο σωματικής δραστηριότητας 3

Ο ασθενής έχει την ικανότητα ή τη δυνατότητα για βάδιση με μεταβλητό ρυθμό.

Αυτό είναι χαρακτηριστικό του περιπατητή που βγαίνει στην κοινωνία, ο οποίος έχει την ικανότητα να διαβαίνει τα περισσότερα περιβαλλοντικά εμπόδια και μπορεί να διεξάγει επαγγελματική, θεραπευτική ή αθλητική δραστηριότητα που απαιτεί προσθετική χρήση πέρα από την απλή μετακίνηση.

Επίπεδο σωματικής δραστηριότητας 4

Ο ασθενής έχει την ικανότητα ή τη δυνατότητα για προσθετική βάδιση που υπερβαίνει τη βασική ικανότητα βάδισης, επιδεικνύοντας υψηλά επίπεδα πρόσκρουσης, καταπόνησης ή ενέργειας. Αυτό είναι χαρακτηριστικό των προσθετικών απαιτήσεων ενός παιδιού, δραστήριου ενήλικα ή αθλητή.

(*Μέγιστο βάρος χρήστη 100 kg και να χρησιμοποιείτε πάντα μια υψηλότερη κατηγορία τιμής ελατηρίου από ό,τι φαίνεται στον πίνακα επιλογής σερ ελατηρίων.)

Αντενδείξεις

Αυτή η συσκευή ενδέχεται να μην είναι κατάλληλη για άτομα με επίπεδο σωματικής δραστηριότητας 1 ή για ανταγωνιστικά αθλητικά γεγονότα, καθώς αυτοί οι τύποι χρηστών θα εξυπηρετηθούν καλύτερα από μια ειδικά σχεδιασμένη πρόθεση βελτιστοποιημένη για τις ανάγκες τους.

Βεβαιωθείτε ότι ο χρήστης έχει κατανοήσει όλες τις οδηγίες χρήσης, επιστώντας ιδιαίτερα την προσοχή στην ενότητα σχετικά με τη συντήρηση.

Κλινικά οφέλη

- Αυξημένη απόσταση από το έδαφος που μειώνει τον κίνδυνο παραπατήματος και πτώσης
- Βελτιωμένη ισορροπία μέσω της αυτοευθυγράμμισης
- Βελτιωμένη συμμόρφωση με το έδαφος για κίνηση σε έδαφος με κλίση
- Βελτιωμένη κινητική συμμετρία βάρδισης
- Μειωμένο φορτίο στο κολόβωμα
- Μειωμένη τιμή φορτίου στο κολόβωμα
- Μειωμένος πόνος στην πλάτη κατά τη συστροφή
- Αυξημένη ταχύτητα βάρδισης

Επιλογή σετ ελατηρίων

Επίπεδο σωματικής δραστηριότητας 3

44-52	53-59	60-68	69-77	78-88	89-100	101-116	117-125 kg	Βάρος χρήστη
1	2	3	4	5	6	7	8	Σετ ελατηρίων πέλματος
	●	●●	●●●	●●●●				Τιμή ελατηρίων αξονικού αποσβεστήρα κραδασμών
1		2		3		4		

Σημείωση... Εάν έχετε αμφιβολίες σχετικά με την επιλογή μεταξύ δύο κατηγοριών, επιλέξτε το σετ ελατηρίων με το υψηλότερο όριο. Οι συστάσεις για το σετ ελατηρίων πέλματος που εμφανίζονται είναι για χρήστες με διακνημιαίο σύστημα.

Για χρήστες με διαμηριαίο σύστημα, προτείνουμε να επιλέξετε ένα σετ ελατηρίων μία κατηγορία χαμηλότερα. Ανατρέξτε στην Ενότητα στις 8 *Οδηγίες προσαρμογής* για να διασφαλίσετε ικανοποιητική λειτουργία και εύρος κίνησης.

2 Πληροφορίες για την ασφάλεια



Αυτό το προειδοποιητικό σύμβολο επισημαίνει σημαντικές πληροφορίες για την ασφάλεια, οι οποίες πρέπει να ακολουθούνται προσεκτικά.



Τυχόν αλλαγές στην απόδοση ή τη λειτουργία του άκρου, π.χ. περιορισμένη κίνηση, ανώμαλη κίνηση ή ασυνήθιστοι θόρυβοι, θα πρέπει να αναφέρονται αμέσως στον πάροχο υπηρεσιών σας.



Χρησιμοποιείτε πάντα χειρολισθήρα όταν κατεβαίνετε σκάλες και οποιαδήποτε άλλη στιγμή, εφόσον είναι διαθέσιμος.



Η συσκευή δεν είναι κατάλληλη για ακραία αθλήματα, αγώνες δρόμου ή ποδηλάτου, αθλήματα στον πάγο και το χιόνι, μεγάλες κλίσεις και ψηλά σκαλιά. Η συμμετοχή σε τέτοιες δραστηριότητες γίνεται αποκλειστικά με ανάληψη του κινδύνου από τους χρήστες. Η ποδηλασία αναψυχής είναι αποδεκτή.



Η συναρμολόγηση, η συντήρηση και η επισκευή της συσκευής πρέπει να διενεργούνται μόνο από ιατρό με τα κατάλληλα προσόντα.



Ο χρήστης θα πρέπει να επικοινωνήσει με τον ιατρό του σε περίπτωση αλλαγής της κατάστασής του.



Βεβαιωθείτε ότι χρησιμοποιούνται μόνο οχήματα με κατάλληλες μετατροπές κατά την οδήγηση. Όλα τα άτομα υποχρεούνται να τηρούν τους αντίστοιχους νόμους οδικής κυκλοφορίας όταν χειρίζονται μηχανοκίνητα οχήματα.



Για να ελαχιστοποιηθεί ο κίνδυνος ολίσθησης και παραπατήματος, πρέπει ανά πάσα στιγμή να χρησιμοποιούνται κατάλληλα υποδήματα που προσαρμόζονται με ασφάλεια στο κέλυφος του πέλματος.



Μετά από συνεχή χρήση, το περίβλημα του αστραγάλου μπορεί να θερμανθεί στην αφή.



Αποφύγετε την έκθεση σε υπερβολική ζέστη ή/και υπερβολικό κρύο.



Ο χρήστης δεν πρέπει να ρυθμίζει τη συσκευή ή να παρεμβαίνει στη ρύθμισή της.

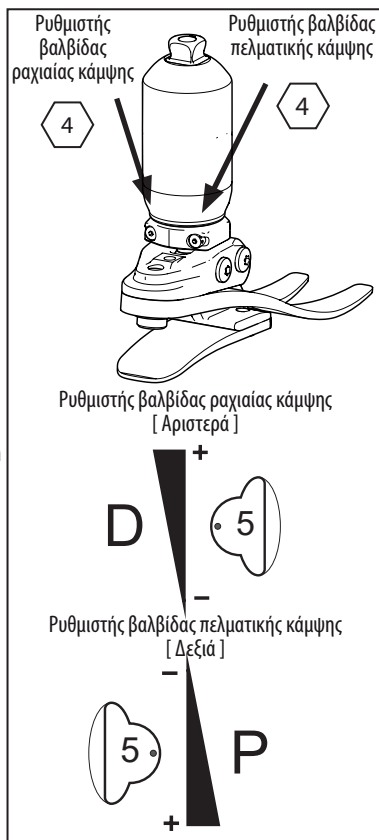
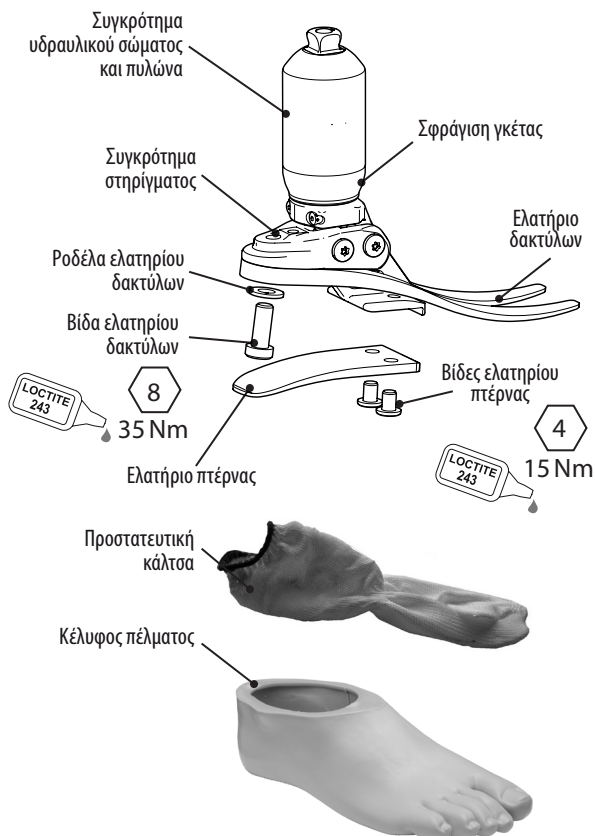


Να προσέχετε για τυχόν κίνδυνο παγίδευσης δακτύλων ανά πάσα στιγμή.

3 Κατασκευή

Κύρια μέρη

- Συγκρότημα υδραυλικού σώματος και πυλώνα (αλουμίνιο/ανοξ. χάλ./τιτάνιο)
- Συγκρότημα στηρίγματος (αλουμίνιο/ανοξ. χάλ.)
- Ελατήρια πτέρνας και δακτύλων (e-Carbon)
- Βίδες στερέωσης ελατηρίου (ανοξ. χάλ./τιτάνιο)
- Προστατευτική κάλτσα (UHM PE)
- Κέλυφος πέλματος (PU)



4 Λειτουργία

Η συσκευή αποτελείται από ένα συγκρότημα υδραυλικού σώματος που περιλαμβάνει ρυθμιζόμενες υδραυλικές βαλβίδες. Οι βαλβίδες μπορούν να ρυθμιστούν ανεξάρτητα για να αυξήσουν και να μειώσουν την υδραυλική αντίσταση της πελματικής κάμψης ή της ραχιαίας κάμψης.

Το εγγύς τμήμα του συγκροτήματος υδραυλικού σώματος περιέχει ένα εξάρτημα ελατηρίου που επιτρέπει στον σωλήνα πυραμίδας να αποσυμπίεζεται ή/και να περιστρέφεται σε περιορισμένο εύρος υπό αξονικό ή/και στρεπτικό φορτίο. Όταν αφαιρεθεί το φορτίο, το ελατήριο επιστρέφει στην αρχική του θέση. Το αποτέλεσμα αυτής της κίνησης είναι η εξασθένηση τυχόν δυνάμεων πρόσκρουσης που διαφορετικά θα μεταδίδονταν στη διεπαφή κολοβώματος/θήκης τόσο στην αξονική όσο και σε περιστροφική κατεύθυνση.

Το συγκρότημα του υδραυλικού σώματος συνδέεται σε ένα συγκρότημα φορείου μέσω δύο πείρων περιστροφής. Τα ελατήρια της πτέρνας και των δακτύλων προσαρτώνται στο στήριγμα χρησιμοποιώντας βίδες από τιτάνιο και ανοξείδωτο χάλυβα. Το πέλμα τυλίγεται με μια κάλτσα από UHM PE, η οποία με τη σειρά της περιβάλλεται από ένα κέλυφος πέλματος από PU.

5 Συντήρηση

Η συντήρηση πρέπει να εκτελείται από αρμόδιο προσωπικό.

Συνιστάται να εκτελείτε την ακόλουθη συντήρηση σε ετήσια βάση:

- Ελέγξτε για ορατά ελαττώματα που θα μπορούσαν να επηρεάσουν τη σωστή λειτουργία
- Καθαρίστε και λιπάνετε εκ νέου την επιφάνεια έδρασης. Χρησιμοποιήστε Sapphire Endure (928015) ή ισοδύναμο γράσο με περιεκτικότητα σε PTFE (βλ. ενότητα 9 *Οδηγίες συντήρησης*).
- Αφαιρέστε το κέλυφος πέλματος και την προστατευτική κάλτσα, ελέγξτε για τυχόν ζημιά ή φθορά και αντικαταστήστε τα, αν χρειάζεται.
- Ελέγξτε αν έχουν σφίξει καλά όλες οι βίδες, καθαρίστε και επανασυναρμολογήστε, αν χρειάζεται.
- Ελέγξτε οπτικά τα ελατήρια πτέρνας και δακτύλων για σημάδια αποφλοιώσης ή φθοράς και αντικαταστήστε τα, αν χρειάζεται. Μετά από κάποιο χρόνο χρήσης μπορεί να παρατηρηθούν κάποιες επιφανειακές φθορές, το οποίο δεν επηρεάζει τη λειτουργία ή την αντοχή του πέλματος.

Οποιοσδήποτε αλλαγές στην απόδοση αυτής της συσκευής πρέπει να αναφέρονται στον ιατρό.

Οι αλλαγές στην απόδοση μπορεί να περιλαμβάνουν τα εξής:

- Αύξηση της δυσκαμψίας του αστραγάλου
- Αλλαγές στην αξονική ή στρεπτική δυσκαμψία
- Μειωμένη στήριξη αστραγάλου (ελεύθερη κίνηση)
- Μαλάκωμα των ελατηρίων
- Υπερβολικό τζόγο στα έδρανα
- Τυχόν ασυνήθιστο θόρυβο

Ο χρήστης θα πρέπει να συμβουλευτεί να επικοινωνήσει με τον ιατρό του σε περίπτωση αλλαγής της κατάστασής του.

Ο ιατρός πρέπει επίσης να ενημερώνεται για τυχόν αλλαγές στο σωματικό βάρος ή/και το επίπεδο σωματικής δραστηριότητας.

Ο χρήστης θα πρέπει να ενημερώνεται ότι συνιστάται τακτικός οπτικός έλεγχος του πέλματος και ότι θα πρέπει να αναφέρονται στον πάροχο υπηρεσιών ενδείξεις φθοράς που μπορεί να επηρεάσουν τη λειτουργία του (π.χ. σημαντική φθορά ή υπερβολικός αποχρωματισμός από μακροχρόνια έκθεση σε υπεριώδη ακτινοβολία).

Καθαρισμός:

Χρησιμοποιήστε υγρό πανί και ήπιο σαπούνι για να καθαρίσετε τις εξωτερικές επιφάνειες.

Μη χρησιμοποιείτε επιθετικά καθαριστικά.

6 Περιορισμοί για τη χρήση

Προβλεπόμενη διάρκεια ζωής

Θα πρέπει να διεξαχθεί επιτόπια αξιολόγηση κινδύνου βάσει της δραστηριότητας και της χρήσης.

Άρση φορτίου

Το βάρος και η δραστηριότητα του χρήστη εξαρτώνται από τα αναφερόμενα όρια.

Η μεταφορά φορτίου από τον χρήστη θα πρέπει να βασίζεται σε επιτόπια αξιολόγηση κινδύνου.

Περιβάλλον

Αποφύγετε την έκθεση της συσκευής σε διαβρωτικά στοιχεία όπως νερό, οξέα και άλλα υγρά. Αποφύγετε επίσης διαβρωτικά περιβάλλοντα, όπως αυτά που περιέχουν άμμο, για παράδειγμα, καθώς αυτά μπορεί να προκαλέσουν την πρόωρη φθορά.

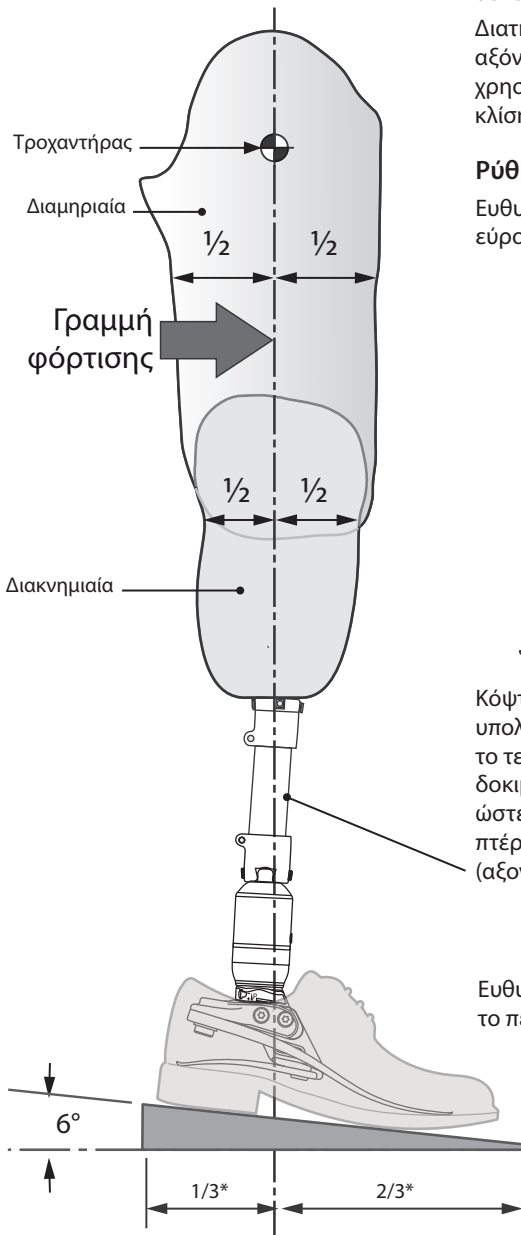
Αποκλειστικά για χρήση σε θερμοκρασία μεταξύ -15°C και 50°C .



Κατάλληλο για εξωτερική χρήση

7 Εργαστηριακή ευθυγράμμιση

7.1 Στατική ευθυγράμμιση

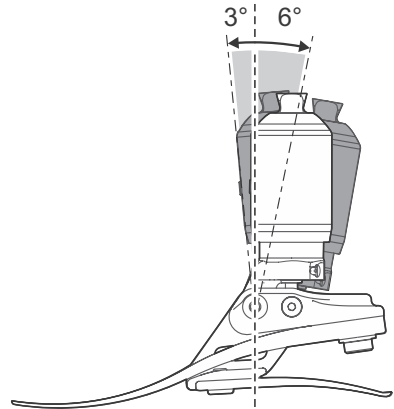


Ευθυγραμμίστε τις διαμηριαίες συσκευές σύμφωνα με τις οδηγίες προσαρμογής που συνοδεύουν το γόνατο.

Διατηρείτε τη γραμμή φόρτισης μεταξύ των αξόνων περιστροφής, όπως απεικονίζεται, χρησιμοποιώντας συσκευές μετατόπισης ή/και κλίσης, κατά περίπτωση.

Ρύθμιση κλίσης

Ευθυγραμμίστε το άκρο για να επιτευχθεί το εύρος κίνησης που απεικονίζεται.



Κόψτε την κνήμη στο κατά προσέγγιση μήκος, υπολογίζοντας ότι θα κοπούν 10-15mm κατά το τελικό τριμάρισμα. **Σημείωση:** Το μήκος δοκιμής θα περιλαμβάνει συνήθως 10 mm ώστε να είναι δυνατή η αξονική συμπίεση της πτέρνας, των δακτύλων και του ελατηρίου (αξονικά).

Ευθυγραμμίστε με φορεμένο το παπούτσι και το πέλμα σε πλήρη πελματικής κάμψης.

*Προσεγγιστική αναλογία

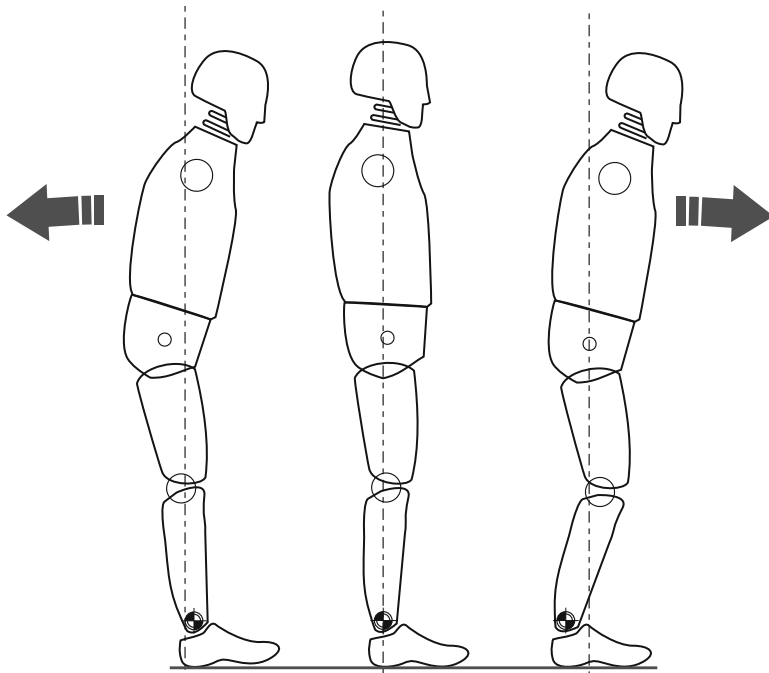
7.2 Βιομηχανική ευθυγράμμιση

Στόχος της ευθυγράμμισης είναι η επίτευξη ενός «σημείου ισορροπίας» κατά την όρθια στάση και η ρύθμιση του υδραυλικά αποσβεννυόμενου εύρους κίνησης. Στόχος της ρύθμισης απόσβεσης είναι η λεπτομερής ρύθμιση των χαρακτηριστικών ακαμψίας για κύλιση του αστραγάλου-πέλματος, έως ότου επιτευχθεί άνετη βάδιση. Λόγω του αυξημένου εύρους κίνησης που παρέχεται από τον αστράγαλο, ο χρήστης μπορεί να βιώσει την ανάγκη για περισσότερο εκούσιο έλεγχο και αρχικά να βρει τον αστράγαλο ενοχλητικό κατά τη διάρκεια της ρύθμισης. Αυτό θα πρέπει πάψει σύντομα να ισχύει, αφού ολοκληρωθεί ικανοποιητική ρύθμιση.

Πτώση προς τα πίσω = [Υπερέκταση]
Π/Ο μετατόπιση πολύ πρόσθια



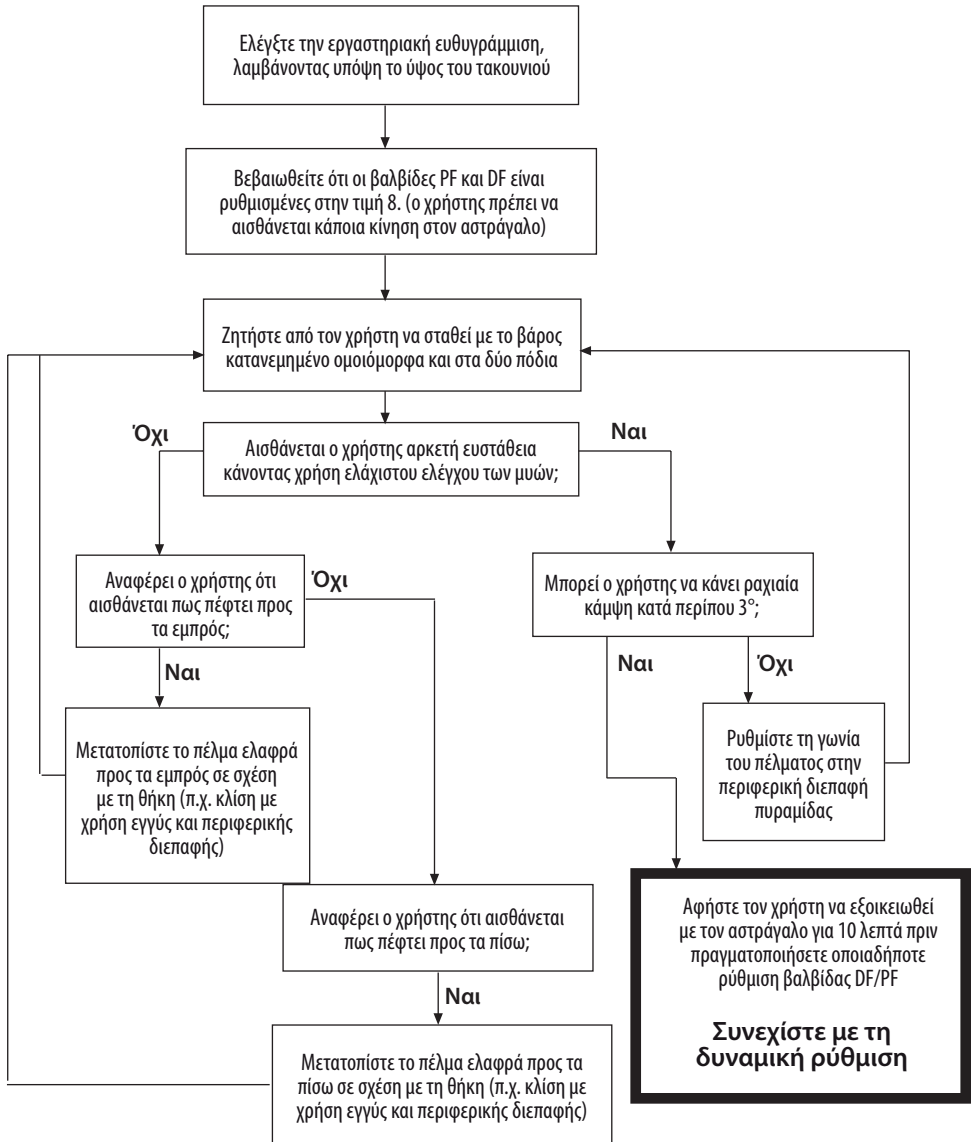
Πτώση προς τα εμπρός = [Υπερκάμψη]
Π/Ο μετατόπιση πολύ οπίσθια



Βεβαιωθείτε ότι ο χρήστης είναι χαλαρός και δεν στηρίζεται με το πέλμα στο όριο ραχιαίας κάμψης.

7.3 Βιομημητική ρύθμιση

Σημείωση... Πραγματοποιήστε στατική ευθυγράμμιση, διασφαλίζοντας παράλληλα ότι ο χρήστης έχει κάποιο μέσο υποστήριξης, όπως παράλληλες ράβδους. Αυτό αφορά μόνο την ευθυγράμμιση σε όρθια θέση.



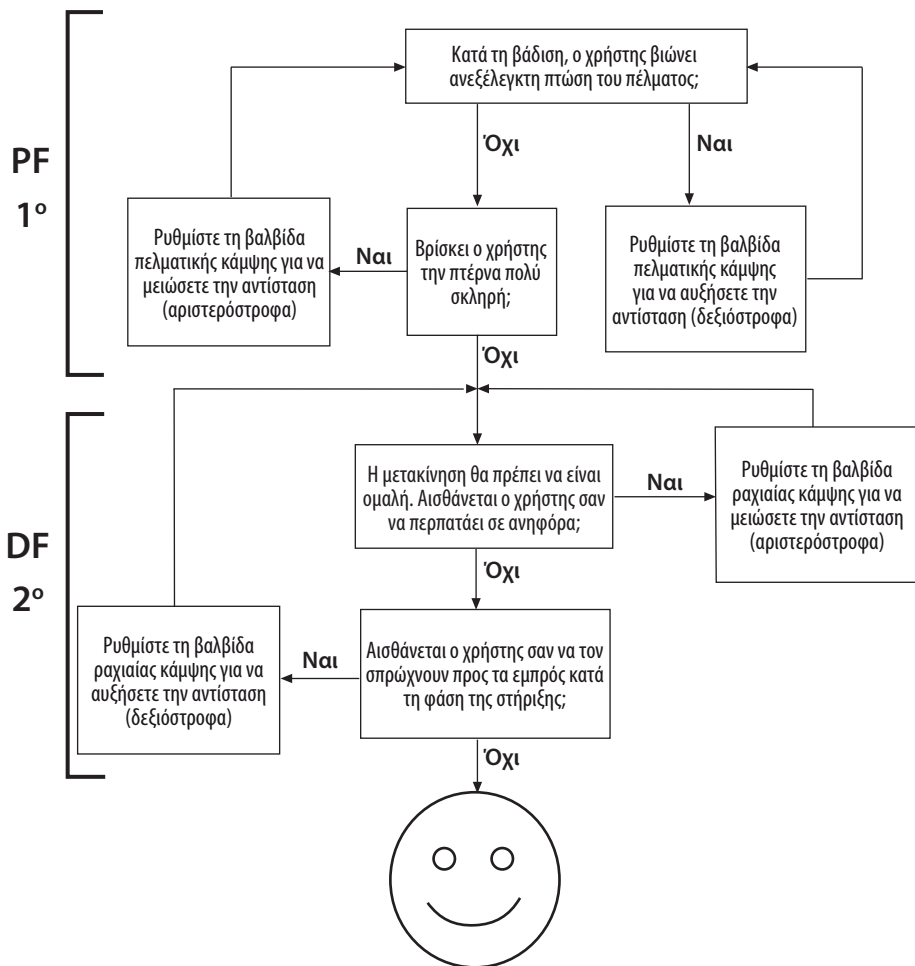
Χρησιμοποιήστε τη μετατόπιση για στατική ευθυγράμμιση και όρθια στάση.

Η συσκευή θα πρέπει να ενθαρρύνει κάποιο βαθμό αυτορύθμισης για να επιτευχθεί αίσθηση ισορροπίας για τον χρήστη κατά τη διάρκεια της όρθιας στάσης.

7.4 Δυναμική ρύθμιση

Ρύθμιση των υδραυλικών βαλβίδων

Ο χρήστης θα πρέπει να διαπιστώνει ότι ο αστράγαλος κινείται μαζί με το σώμα κατά τη διάρκεια του κύκλου βάδισης. Δεν θα πρέπει να καταβάλλεται προσπάθεια από τον χρήστη για να υπερνικήσει την υδραυλική αντίσταση του αστραγάλου.



Καθοδήγηση

Μετά από τη δυναμική ρύθμιση, δοκιμάστε το πέλμα/τον αστράγαλο σε ράμπες και σκάλες. Βεβαιωθείτε ότι ο χρήστης αισθάνεται άνετα με το είδος του εδάφους που μπορεί κανονικά να αναμένεται να συναντήσει. Αν ο χρήστης αναφέρει οποιαδήποτε προβλήματα άνεσης, ευχρηστίας ή εύρους κίνησης του αστραγάλου, προσαρμόστε ανάλογα.

8 Οδηγίες προσαρμογής

Η σωστή ευθυγράμμιση (θέση Π/Ο), το εύρος κίνησης (κατανομή πελματικής κάμψης προς ραχιαία κάμψη) και η ρύθμιση των υδραυλικών ρυθμίσεων είναι ζωτικής σημασίας για την επίτευξη ομαλής κύλισης και σωστής προσαρμογής κλίσης (βλ. 7.3 Βιομηχανική ρύθμιση).

Τα αξονικά ελατήρια της συσκευής έχουν σχεδιαστεί ώστε να συνεργάζονται με τα ελατήρια της πτέρνας και των δακτύλων για να παρέχουν ομαλή πορεία στους περισσότερους χρήστες. Το αξονικό ελατήριο ελέγχει τόσο τη συμπίεστική όσο και τη στρεπτική αντοχή και η τυπική αξονική κίνηση πρέπει να είναι μεταξύ 3-6 mm κατά το κανονικό βάδισμα.

Η συσκευή διατίθεται με επιλογή 4 τιμών αξονικών ελατηρίων (βλ. ενότητα 1 για λεπτομέρειες).

Δώστε στον χρήστη λίγο χρόνο για να εξοικειωθεί με την αρχική ρύθμιση.

Αν, αφού ακολουθήσετε τις παρακάτω οδηγίες, εξακολουθείτε να έχετε πρόβλημα με τη λειτουργία, επικοινωνήστε με την ομάδα πωλήσεων στην περιοχή σας για συμβουλές.

Οτιδήποτε από τα ακόλουθα θα έχει αρνητική επίδραση στη λειτουργία και τη σταθερότητα:

- Εσφαλμένη επιλογή ελατηρίου
- Εσφαλμένη ευθυγράμμιση Π/Ο μετατόπισης
- Εσφαλμένη κατανομή εύρους πελματικής κάμψης και ραχιαίας κάμψης

	<i>Συμπτώματα</i>	<i>Επανορθωτική ενέργεια αποκατάστασης</i>
1.	<ul style="list-style-type: none">• Βύθιση κατά την κρούση της πτέρνας• Δυσκολία στην επίτευξη ομαλής πορείας κατά τη μεσοστήριξη• Ο χρήστης αισθάνεται ότι περπατά σε ανηφόρα ή ότι το μπροστινό μέρος του πέλματος είναι υπερβολικά μακρύ	<ul style="list-style-type: none">• Αυξήστε την αντίσταση στην πελματική κάμψη• Ελέγξτε την Π/Ο ευθυγράμμιση μετατόπισης. Βεβαιωθείτε ότι το πέλμα δεν έχει τοποθετηθεί πολύ μπροστά• Ελέγξτε την κατανομή της πελματικής κάμψης και της ραχιαίας κάμψης. Βεβαιωθείτε ότι το εύρος της πελματικής κάμψης δεν είναι υπερβολικό• Ελέγξτε ότι η κατηγορία του ελατηρίου δεν είναι πολύ μαλακή. Αν είναι, τοποθετήστε ελατήριο υψηλότερης τιμής
2.	<ul style="list-style-type: none">• Η πορεία από την κρούση της πτέρνας ως τη μεσοστήριξη είναι πολύ γρήγορη• Δυσκολία στον έλεγχο της επαναφοράς ενέργειας από το πέλμα κατά την κρούση της πτέρνας (μειωμένη σταθερότητα γόνατος)• Ο χρήστης αισθάνεται ότι η πτέρνα είναι πολύ σκληρή, το μπροστινό μέρος του πέλματος πολύ κοντό	<ul style="list-style-type: none">• Μειώστε την αντίσταση στην πελματική κάμψη• Ελέγξτε την Π/Ο ευθυγράμμιση μετατόπισης. Βεβαιωθείτε ότι το πέλμα δεν έχει τοποθετηθεί πολύ πίσω• Ελέγξτε την κατανομή της πελματικής κάμψης και της ραχιαίας κάμψης. Βεβαιωθείτε ότι υπάρχει επαρκές εύρος πελματικής κάμψης• Ελέγξτε ότι η κατηγορία του ελατηρίου δεν είναι πολύ υψηλή για το βάρος και τη δραστηριότητα του ασθενούς. Αν είναι, τοποθετήστε ελατήριο χαμηλότερης τιμής

	<i>Συμπτώματα</i>	<i>Επανορθωτική ενέργεια αποκατάστασης</i>
3.	<p>Η επαφή της πτέρνας και η πορεία έχουν την αίσθηση ότι είναι εντάξει, αλλά:</p> <ul style="list-style-type: none"> Υπάρχει η αίσθηση ότι το μπροστινό μέρος του πέλματος είναι πολύ μαλακό Υπάρχει η αίσθηση ότι το μπροστινό μέρος του πέλματος είναι πολύ κοντό Ο χρήστης αισθάνεται ότι περπατά σε <i>κατηφόρα</i>, πιθανώς με μειωμένη σταθερότητα γόνατος Απουσία επαναφοράς ενέργειας 	<ul style="list-style-type: none"> Αυξήστε την αντίσταση στη ραχιαία κάμψη Ελέγξτε την Π/Ο ευθυγράμμιση μετατόπισης. Βεβαιωθείτε ότι το πέλμα δεν έχει τοποθετηθεί πολύ πίσω Ελέγξτε την κατανομή της πελματικής κάμψης και της ραχιαίας κάμψης. Βεβαιωθείτε ότι το εύρος πελματικής κάμψης δεν είναι υπερβολικό Ελέγξτε ότι η κατηγορία του ελατηρίου δεν είναι πολύ μαλακή για το βάρος και τη δραστηριότητα του ασθενούς. Αν είναι, τοποθετήστε ελατήριο υψηλότερης τιμής
4.	<p>Η επαφή της πτέρνας και η πορεία έχουν την αίσθηση ότι είναι εντάξει, αλλά:</p> <ul style="list-style-type: none"> Υπάρχει η αίσθηση ότι το μπροστινό μέρος του πέλματος είναι πολύ άκαμπτο Υπάρχει η αίσθηση ότι το μπροστινό μέρος του πέλματος είναι πολύ μακρύ Υπάρχει η αίσθηση της ανάβασης σε ανηφόρα 	<ul style="list-style-type: none"> Μειώστε την αντίσταση στη ραχιαία κάμψη Ελέγξτε την Π/Ο ευθυγράμμιση μετατόπισης. Βεβαιωθείτε ότι το πέλμα δεν έχει τοποθετηθεί πολύ μπροστά Ελέγξτε την κατανομή της πελματικής κάμψης και της ραχιαίας κάμψης. Βεβαιωθείτε ότι υπάρχει επαρκές εύρος ραχιαίας κάμψης Ελέγξτε ότι η κατηγορία του ελατηρίου δεν είναι πολύ άκαμπτη για το βάρος και τη δραστηριότητα του ασθενούς. Αν είναι, τοποθετήστε ελατήριο χαμηλότερης τιμής

9 Οδηγίες συντήρησης



Να προσέχετε για τυχόν κίνδυνο παγίδευσης δακτύλων ανά πάσα στιγμή.



Χρησιμοποιείτε τον κατάλληλο εξοπλισμό υγείας και ασφάλειας ανά πάσα στιγμή, συμπεριλαμβανομένων εγκαταστάσεων εξαγωγής αέρα.

9.1 Αφαίρεση κελύφους πέλματος

1

Τοποθετήστε το κόκαλο παπουτσιών πίσω από το ελατήριο της πτέρνας.



2

Περιστρέψτε το κόκαλο παπουτσιών όπως απεικονίζεται, για να αφαιρέσετε το κέλυφος.



9.2 Αντικατάσταση ελατηρίων πτέρνας και δακτύλων

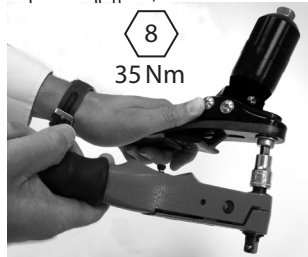
3

Αφαιρέστε το ελατήριο πτέρνας και τις βίδες.



4

Αφαιρέστε τη βίδα του ελατηρίου δακτύλων, αντικαταστήστε το ελατήριο δακτύλων. Κατά την επανασυναρμολόγηση, χρησιμοποιήστε Loctite 243 (926012) και σφίξτε με ροπή έως 35 Nm. Βεβαιωθείτε ότι το ελατήριο δακτύλων βρίσκεται στο κέντρο του στηρίγματος.



5

Επανασυναρμολογήστε με ανταλλακτικό ελατήριο πτέρνας. Χρησιμοποιήστε Loctite 243 (926012) και σφίξτε με ροπή έως 15 Nm.



6

Καλύψτε τα κατάλληλα τμήματα στο στηρίγμα με μόνιμο μαύρο μαρκαδόρο, ώστε να σχηματίζεται και να είναι ορατός ο αριθμός του σετ ελατηρίων.



7

Αν πρόκειται να τοποθετηθεί αφρώδης κόσμηση, κάντε την επάνω επιφάνεια του κελύφους του πέλματος τραχειά, ώστε να δημιουργηθεί ιδανική επιφάνεια συγκόλλησης.

**8**

Λιπάνετε τα δάκτυλα και την πτέρνα, αν χρειάζεται. (Το κέλυφος πέλματος είναι εκ των προτέρων λιπασμένο).



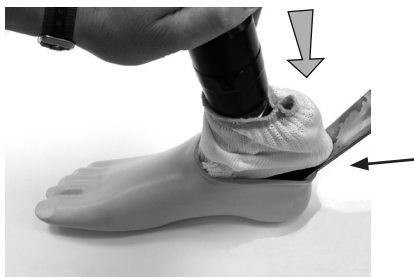
928017

9

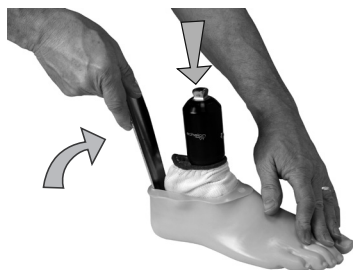
Θέση ελατηρίου δακτύλων στο κέλυφος πέλματος.

10

Χρησιμοποιήστε έναν κατάλληλο μοχλό για να διευκολύνετε την τοποθέτηση του ελατηρίου πτέρνας στη θέση του εντός του κελύφους του πέλματος.

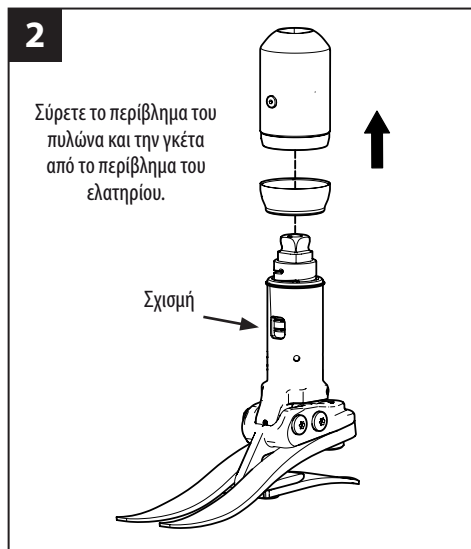
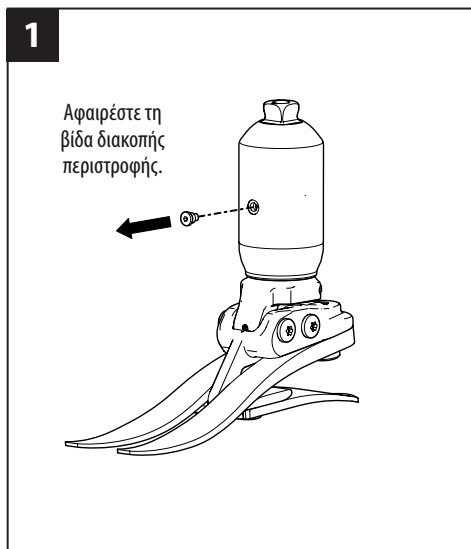
**11**

Βεβαιωθείτε ότι το ελατήριο της πτέρνας είναι ασφαλισμένο στη σχισμή.



Αν απαιτείται κοσμητικό φινιρίσμα, επικοινωνήστε με ένα μέλος της ομάδας πωλήσεων της Blatchford.

9.3 Περίβλημα πυλώνα



Καθαρίστε και λιπάνετε εκ νέου την επιφάνεια έδρασης.

Χρησιμοποιήστε Sapphire Endure (928015) ή ισοδύναμο γράσο με περιεκτικότητα σε PTFE.

9.3.1 Επανασυναρμολόγηση

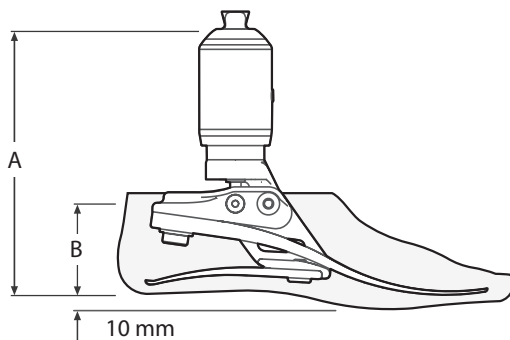
Βεβαιωθείτε ότι η βίδα διακοπής περιστροφής ευθυγραμμίζεται με τη σχισμή στον πυλώνα, εφαρμόστε Loctite 243 και σφίξτε.

Διαθέσιμη ανταλλακτική γκέτα Αρ. εξαρτήματος 534003

10 Τεχνικά στοιχεία

Εύρος τιμών θερμοκρασίας χειρισμού και φύλαξης:	-15 °C έως 50 °C
Βάρος εξαρτημάτων (μέγεθος 26N):	1,05 kg
Συνιστώμενο επίπεδο σωματικής δραστηριότητας:	3
Μέγιστο βάρος χρήστη:	125 kg
Μεγέθη:	22 έως 30 cm
Προσάρτημα εγγύς ευθυγράμμισης:	Αρσενική πυραμίδα (Blatchford) +/- 7°
Εύρος κίνησης αστραγάλου:	6° πελματική έως 3° ραχιαία κάμψη
Μέγιστη περιστροφή:	+/- 15°
Τυπική αξονική κίνηση:	3-6 mm [μέγιστο 10 mm]
Ύψος κατασκευής:*	22 cm - 24 cm 168 mm 25 cm - 26 cm 173 mm 27 cm - 30 cm 178 mm
Ύψος πτέρνας:	10 mm

Μήκος προσαρμογής



Μέγεθος	A
22-24	168 mm
25-26	173 mm
27-30	178 mm

Μέγεθος	B
22-26	65 mm
27-28	70 mm
29-30	75 mm

11 Πληροφορίες παραγγελίας

Παράδειγμα παραγγελίας:

ECVT	25	L	N	3	2	S
------	----	---	---	---	---	---

Μέγεθος Πλευρά Πλάτος* Κατηγορία Αξονικό Δάκτυλα
(L/R) (N/W) σετ ελατηρίων ελατήριο σανδαλιού

Διατίθεται από μέγεθος 22
έως μέγεθος 30:

ECVT22L11S έως ECVT30R84S

*Μεγέθη 25-28 μόνο. Για όλα τα άλλα μεγέθη,
παραλείψτε το πεδίο Πλάτος.

π.χ. ECVT25LN12S, ECVT22R34S, ECVT27RW33SD

ECVT22L11SD έως ECVT30R84SD

(προσθέστε 'D' για κέλυφος
πέλματος με σκούρο τόνο)

Κιτ ελατηρίων

Τιμή	Μεγέθη πέλματος			
	Μικρό (S)	Μεσαίο (M)	Μεγάλο (L)	Πολύ μεγάλο (XL)
	22-24	25-26	27-28	29-30
Σετ 1	539801S	539810S	539819S	539828S
Σετ 2	539802S	539811S	539820S	539829S
Σετ 3	539803S	539812S	539821S	539830S
Σετ 4	539804S	539813S	539822S	539831S
Σετ 5	539805S	539814S	539823S	539832S
Σετ 6	539806S	539815S	539824S	539833S
Σετ 7	539807S	539816S	539825S	539834S
Σετ 8	539808S	539817S	539826S	539835S

Κέλυφος πέλματος (για σκούρο, προσθέστε 'D')

Μέγεθος/ πλευρά	Στενό	Φαρδύ
22L	539038S	-
22R	539039S	-
23L	539040S	-
23R	539041S	-
24L	539042S	-
24R	539043S	-
25L	539044SN	539044SW
25R	539045SN	539045SW
26L	539046SN	539046SW
26R	539047SN	539047SW
27L	539048SN	539048SW
27R	539049SN	539049SW
28L	539050SN	539050SW
28R	539051SN	539051SW
29L	-	539052S
29R	-	539053S
30L	-	539054S
30R	-	539055S

Στοιχείο	Αρ. εξαφτ.
Προστατευτική κάλτσα (μεγέθη 22-26)	531011
Προστατευτική κάλτσα (μεγέθη 27-30)	532811
Κλειδί προσαρμογής DF/PF, Allen 4 A/F	940236
Γκέτα	534003
Βίδα διακοπής περιστροφής	534005

Ευθύνη

Ο κατασκευαστής συνιστά τη χρήση της συσκευής μόνο υπό τις καθορισμένες συνθήκες και για τους προβλεπόμενους σκοπούς. Η συσκευή πρέπει να συντηρείται σύμφωνα με τις οδηγίες χρήσης που συνοδεύουν τη συσκευή. Ο κατασκευαστής δεν φέρει ευθύνη για οποιοδήποτε δυσμενές αποτέλεσμα προκληθεί από συνδυασμούς εξαρτημάτων που δεν έχουν εγκριθεί από αυτόν.

Πιστότητα CE

Το προϊόν αυτό ικανοποιεί τις απαιτήσεις του Ευρωπαϊκού Κανονισμού (ΕΕ) 2017/745 περί ιατροτεχνολογικών προϊόντων. Το προϊόν αυτό έχει ταξινομηθεί ως ιατροτεχνολογικό προϊόν κατηγορίας Ι σύμφωνα με τους κανόνες ταξινόμησης που περιγράφονται στο παράρτημα VIII του κανονισμού. Η δήλωση πιστότητας ΕΕ διατίθεται στην ακόλουθη διεύθυνση στο Internet: www.blatchford.co.uk



Ιατροτεχνολογικό προϊόν



Πολλαπλή χρήση –
σε έναν μόνο ασθενή

Συμβατότητα

Ο συνδυασμός με προϊόντα επωνυμίας Blatchford εγκρίνεται βάσει δοκιμών σύμφωνα με τα σχετικά πρότυπα και την οδηγία περί των ιατροτεχνολογικών προϊόντων, συμπεριλαμβανομένων δομικών δοκιμών, συμβατότητας διαστάσεων και παρακολουθούμενης απόδοσης πεδίου.

Ο συνδυασμός με εναλλακτικά προϊόντα με σήμανση CE πρέπει να πραγματοποιείται βάσει τεκμηριωμένης επιτόπιας αξιολόγησης κινδύνου που έχει διεξαχθεί από ιατρό.

Εγγύηση

Η συσκευή αυτή καλύπτεται από εγγύηση 36 μηνών - περίβλημα πέλματος: 12 μηνών - προστατευτική κάλτσα: 3 μηνών. Ο χρήστης πρέπει να ενημερώνεται ότι οι αλλαγές ή οι τροποποιήσεις που δεν έχουν εγκριθεί ρητά ενδέχεται να ακυρώσουν την εγγύηση, τις άδειες λειτουργίας και τις εξαιρέσεις. Ανατρέξτε στον ιστότοπο Blatchford για την τρέχουσα πλήρη δήλωση εγγύησης.

Αναφορά σοβαρών περιστατικών

Στην απίθανη περίπτωση που προκύψει κάποιο σοβαρό περιστατικό σε σχέση με τη συσκευή αυτή, αυτό θα πρέπει να αναφερθεί στον κατασκευαστή και τις αρμόδιες εθνικές αρχές.

Θέματα περιβάλλοντος

Όπου αυτό είναι δυνατόν, τα εξαρτήματα θα πρέπει να ανακυκλώνονται σύμφωνα με τους τοπικούς κανονισμούς χειρισμού αποβλήτων.


Διατήρηση της ετικέτας συσκευασίας

Συνιστάται να διατηρείτε την ετικέτα της συσκευασίας ως αρχείο της παρεχόμενης συσκευής.

Αναγνωρίσεις εμπορικών σημάτων

Οι ονομασίες Echelon και Blatchford είναι σήματα κατατεθέντα της Blatchford Products Limited.

Καταχωρημένη διεύθυνση κατασκευαστή

 Blatchford Products Limited, Lister Road, Basingstoke RG22 4AH, Ηνωμένο Βασίλειο.

Saturs.....	135
1 Apraksts un paredzētais mērķis	136
2 Drošības informācija	138
3 Uzbūve	139
4 Funkcija.....	140
5 Apkope.....	140
6 Lietošanas ierobežojumi.....	141
7 Stenda salāgošana	142
7.1 Statiskā salāgošana	142
7.2 Biomimētiskā salāgošana.....	143
7.3 Biomimētiskā regulēšana.....	144
7.4 Dinamiskā regulēšana	145
8 Pielāgošanas ieteikumi.....	146
9 Apkopes norādījumi.....	148
9.1 Pēdas protēzes apvalka noņemšana.....	148
9.2 Papēža un pirksta atsperes nomaiņa	148
9.3 Pilona apvalks	150
10 Tehniskie dati.....	151
11 Pasūtīšanas informācija.....	152

1 Apraksts un paredzētais mērķis

Šī lietošanas pamācība paredzēta speciālistam.

Termiņš "ierīce" šajā pamācībā tiek lietots, lai apzīmētu EchelonVT.

Pielietojums

Šī ierīce ir jālieto tikai kā apakšējo ekstremitāšu protēzes daļa.

Paredzēta vienam lietotājam.

Šī ierīce nodrošina ierobežotu protēzes automātisku salāgošanu dažādos reljefos un pēc apavu maiņas. Tā ir paredzēta, lai uzlabotu stājas svārstības un simetriju, vienlaikus mazinot neparastu spiedienu uz mēķiem. Ierīcē ir arī atsperes elements, kas spēj absorbēt akšālos un rotējošos triecienus, kas paredzēti, lai samazinātu bīdes spriegumu atlikuma/uzmavas saskarnē.

Aktivitātes līmenis

Ierīce ieteicama lietotājiem ar potenciālu sasniegt 3. aktivitātes līmeni, kuri varētu gūt labumu no uzlabotas stabilitātes un justies drošāk uz nelīdzenām virsmām. Akšālās atsperes sniegtās papildu amortizācijas un enerģijas atdeves mērķis ir uzlabot komfortu un veikspēju.

Pastāv izņēmumi, un savā ieteikumā vēlamies pieļaut atsevišķus, individuālus apstākļus. Var būt arī vairāki lietotāji ar 2. un 4. aktivitātes līmeni*, kas varētu gūt labumu no ierīces nodrošinātās uzlabotas stabilitātes, bet šāds lēmums ir jāpieņem, ja ir skaidrs un pārdomāts pamatojums.

1. aktivitātes līmenis

Spēj vai ir potenciāls izmantot protēzi, lai pārvietotos ar palīdzību vai staigātu pa līdzenu virsmu fiksētā tempā. Tipiski personai, kura spēj staigāt ar vai bez ierobežojumiem.

2. aktivitātes līmenis

Spēja vai potenciāls staigāt ar spēju šķērsot nelielas vides barjeras, piemēram, ietves malas, kāpnes vai nelīdzenas virsmas. Tipiski cilvēkam, kas pārvietojas ar ierobežojumiem.

3. aktivitātes līmenis

Spēja vai potenciāls pārvietoties ar mainīgu tempu.

Tipiski cilvēkam, kurš var neatkarīgi pārvietoties ārpus mājas, šķērsojot lielāko daļu vides barjeru, un kuram var būt profesionālā, terapeitiskā vai fiziskā aktivitāte, kam nepieciešama protēzes izmantošana, kas pārsniedz parastu pārvietošanos.

4. aktivitātes līmenis

Spēja vai potenciāls staigāt, kas pārsniedz parastās pārvietošanās ar protēzi prasmes, pieļaujot augstu triecienu, stresa vai enerģijas pakāpi. Tipiski bērnu, aktīvu pieaugušo vai sportistu protezēšanas vajadzībām.

(*Maks. lietotāja ķermeņa masa ir 100 kg, un vienmēr izmantojiet par vienu kategoriju augstāku atsperi, nekā parādīts atsperu komplekta izvēles tabulā.)

Kontrindikācijas

Šī ierīce varētu nebūt piemērota personām ar 1. līmeni vai sacensību sporta aktivitātēm, jo šādiem lietotājiem vairāk piemērota ir viņu vajadzībām optimizēta, speciāli izstrādāta protēze. Pārliecinieties, ka lietotājs ir izpratis visu lietošanas pamācību, īpašu uzmanību pievēršot sadaļai par apkopi.

līniskie ieguvumi

- Pazemināts augstums līdz zemei samazina pakrišanas risku nelīdzena reljefa dēļ
- Uzlabots līdzsvars, ko nodrošina automātiska salāgošana
- Uzlabota pielāgošanās zemei uz slīpa reljefa
- Uzlabota kinētiskās gaitas simetrija
- Samazināta slodze uz atlikušo ekstremitāti
- Samazināta slodzes kategorija uz atlikušo ekstremitāti
- Samazinātas muguras sāpes pagriežoties
- Palielināts staigāšanas ātrums

Atsperu komplekta izvēle

3. aktivitātes līmenis

44-52	53-59	60-68	69-77	78-88	89-100	101-116	117-125	kg	Lietotāja ķermeņa masa
1	2	3	4	5	6	7	8		Pēdas atsperu komplekts
	●	●●	●●●	●●●●					Aksiālā trieciena absorbētāja atsperes kategorij
1		2		3		4			

Piezīme... Ja šaubāties par izvēli no divām kategorijām, izvēlieties augstākās kategorijas atsperu komplektu. Attēlotie kājas atsperu komplekta ieteikumi paredzēti lietotājiem ar zemceļa amputāciju.

Lietotājiem ar virsceļa amputāciju ieteicams izvēlēties vienu kategoriju zemāku atsperu komplektu; skatiet 8 *Pielāgošanas ieteikumi*, lai nodrošinātu apmierinošu funkcionalitāti un kustību diapazonu.

2 Drošības informācija



Šis brīdinājuma simbols izceļ svarīgu drošības informāciju, kas rūpīgi jāievēro.



Par jebkādām veiktspējas vai ekstremitātes funkcionēšanas izmaiņām, piem., ierobežotu kustību, nevienmērīgu kustību vai neparastiem trokšņiem, nekavējoties ziņojiet savam pakalpojumu sniedzējam.



Ejot pa kāpnēm lejā un jebkurā citā laikā vienmēr izmantojiet kāpņu margas, kad tās ir pieejamas.



Ierīce nav piemērota ekstrēmiem sporta veidiem, skriešanai vai riteņbraukšanas sacensībām, sportošanai uz ledus un sniega, ekstremālām nogāzēm un pakāpieniem. Par šādu darbību veikšanu ir atbildīgs tikai lietotājs. Ir pieļaujama riteņbraukšana atpūtas nolūkos.



Ierīces montāžu, apkopi un remontu drīkst veikt tikai atbilstoši kvalificēts ārsts.



Ja mainās ierīces stāvoklis, lietotājam jāsasazinās ar ārstu.



Pārliciecinieties, ka braukšanas laikā tiek izmantoti tikai atbilstoši aprīkoti transportlīdzekļi. Visām personām, vadot mehāniskos transportlīdzekļus, ir jāievēro attiecīgie satiksmes noteikumi.



Lai samazinātu paslīdēšanas un pakļūšanas risku, vienmēr jāizmanto atbilstoši apavi, kas cieši pieguļ pēdas protēzes apvalkam.



Pēc ilgstošas lietošanas potītes apvalks var sakarst.



Izvairieties no pārmērīga karstuma un/vai aukstuma iedarbības.



Lietotājs nedrīkst regulēt vai izmainīt ierīces iestatījumu.

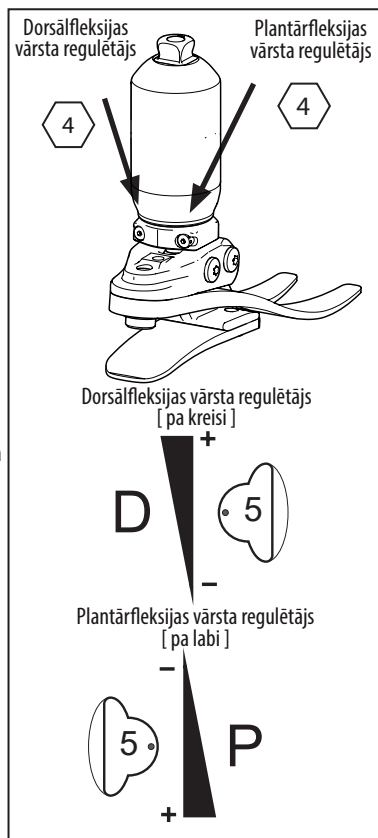
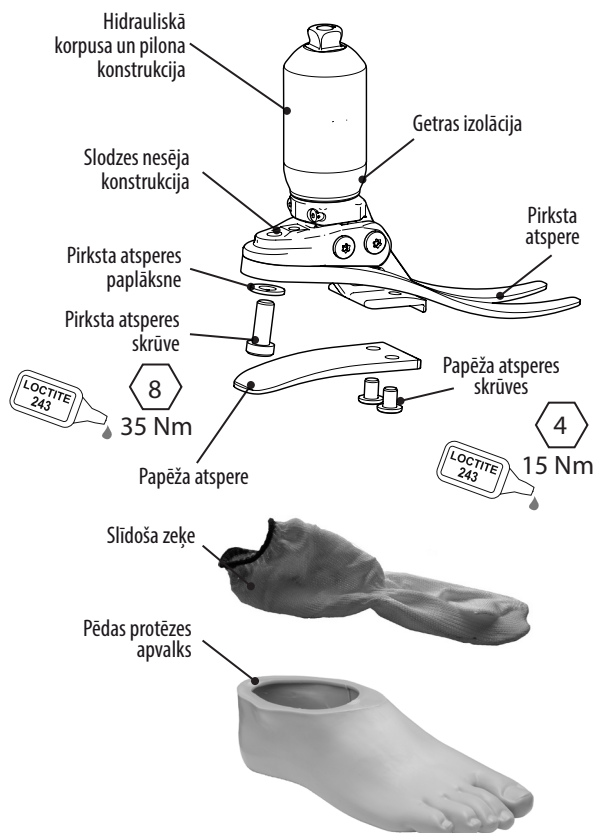


Vienmēr apzinieties pirkstu iespēšanas bīstamību.

3 Uzbūve

Galvenās daļas

- Hidrauliskā korpusa un pilona konstrukcija (alumīnijs/nerūsējošais tērauds/ titāns)
- Nesošās slodzes konstrukcija (alumīnijs/nerūsējošais tērauds)
- Papēža un pirksta atsperes (e-ogleklis)
- Atsperes pievienošanas skrūves (nerūsējošais tērauds/ titāns)
- Slīdoša zeķe (UHM PE)
- Pēdas protēzes apvalks (PU)



4 Funkcija

Ierīce satur hidrauliskā korpusa konstrukciju ar regulējamiem hidrauliskajiem vārstiem. Vārstus var neatkarīgi noregulēt, lai palielinātu un samazinātu plantārflēksijas un dorsālflēksijas hidraulisko pretestību.

Hidrauliskā korpusa konstrukcijas proksimālajā daļā ir atsperes sastāvdaļa, kas ļauj piramīdas caurulītei liekties un/vai pagriezties ierobežotā diapazonā ar aksiālu un/vai vērpes slodzi. Ja slodze tiek noņemta, atspere atgriežas sākotnējā pozīcijā. Šīs kustības rezultāts ir visu trieciena spēku, kas citādi tiktu pārnesti uz atlikuma/uzmavas saskarni gan aksiālā, gan rotācijas virzienā, vājināšana.

Hidrauliskā korpusa konstrukcija ir savienota ar slodzes nesēja konstrukciju, izmantojot divas šarnīra tapas. Papēža un pirksta atsperes ir pievienotas slodzes nesošajai konstrukcijai, izmantojot titāna un nerūsējoša tērauda skrūves. Uz pēdas protēzes ir uzvilka UHM PE zeķe, kuru savukārt aptver PU pēdas protēzes apvalks.

5 Apkope

Apkope jāveic kompetentam personālam.

Šādu apkopi ieteicams veikt reizi gadā.

- Pārbaudiet, vai nav vizuālu defektu, kas var ietekmēt pareizu darbību.
- Notīriet un atkārtoti ieeļļojiet gultņa virsmu. Izmantojiet Sapphire Endure (928015) vai līdzvērtīgu PTFE smērvielu (skatīt 9 sadaļu *Apkopes norādījumi*).
- Noņemiet pēdas protēzes apvalku un slidošo zeķi; pārbaudiet, vai nav bojājumu vai nodiluma, un, ja nepieciešams, nomainiet.
- Pārbaudiet visu skrūvju stingrību, notīriet un uzstādiet atkārtoti, ja nepieciešams.
- Vizuāli pārbaudiet papēža un pirksta atsperes, lai noteiktu, vai nav slāņošanās vai nodiluma pazīmju, un nomainiet, ja nepieciešams. Pēc lietošanas perioda var rasties virsmas bojājumi — tas neietekmē pēdas funkciju vai izturību.

Ziņojiet speciālistam par visām šīs ierīces veikspējas izmaiņām. Veikspējas izmaiņas ietver:

- potītes stīvuma palielinājums;
- aksiālā vai vērpes stingruma izmaiņas;
- samazinātu potītes atbalstu (brīva kustība);
- atspere atslābšana;
- pārmērīga kustība gultņos;
- jebkādu neparastu troksni.

Ja mainās ierīces stāvoklis, lietotājam ieteicams sazināties ar speciālistu.

Informējiet speciālistu par jebkādam ķermeņa masas un/vai aktivitātes līmeņa izmaiņām.

Lietotājam jānorāda, ka ieteicams regulāri veikt pēdas protēzes vizuālo pārbaudi; par nodiluma pazīmēm, kas var ietekmēt funkciju, jāziņo pakalpojumu sniedzējam (piem., par būtisku nodilumu vai izteiktu krāsas maiņu ilgstošas UV iedarbības dēļ).

Tīrīšana

Izmantojiet mitru drānu un vieglu ziepjūdeni, lai notīrītu ārējās virsmas. Neizmantojiet agresīvus tīrīšanas līdzekļus.

6 Lietošanas ierobežojumi

Paredzētais kalpošanas laiks

Jāveic vietējs riska novērtējums, pamatojoties uz aktivitāti un lietojumu.

Celšanas slodzes

Lietotāja ķermeņa masu un aktivitāti regulē noteiktie ierobežojumi.

Lietotāja slodzei jāatbilst vietējā riska novērtējumā noteiktajai.

Vide

Izvairieties no ierīces pakļaušanas kodīgas vides, piemēram, ūdens, skābju un citu šķīdrumu, iedarbības. Izvairieties arī no abrazīvām vidēm, piemēram, tām, kas satur smiltis, jo tās var veicināt priekšlaicīgu nodilumu.

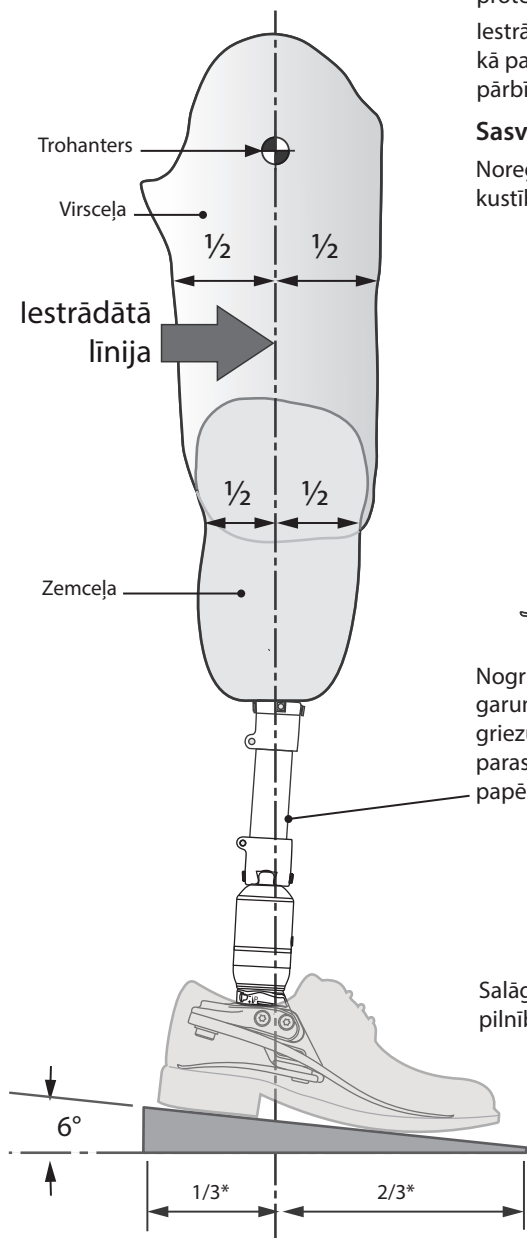
Lietot tikai temperatūrā no -15 °C līdz 50 °C.



Piemērota lietošanai ārā

7 Stenda salāgošana

7.1 Statiskā salāgošana

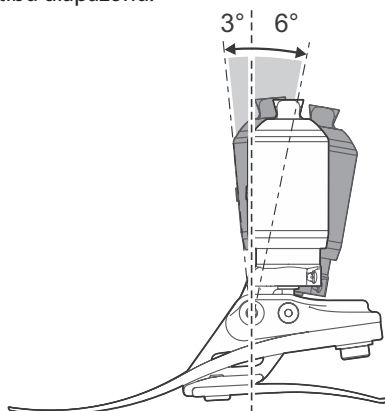


Salāgojiet virscelja ierīces atbilstoši pielāgošanas norādījumiem, kas iekļauti ceļa protēzes komplektācijā.

Iestrādātajai līnijai ir jāatrodas starp šarnīriem, kā parādīts, pēc nepieciešamības izmantojot pārbīdes un/vai savēršanas ierīces.

Sasvēruma iestatījums

Noregulējiet ekstremitāti, lai panāktu parādīto kustību diapazonu.



Nogrieziet apakšstilba caurulīti līdz aptuvenam garumam, pieļaujot 10–15 mm pēdējam griezumam. **Piezīme.** Izmēģinājuma garums parasti ietver 10 mm, lai varētu aksiāli saspiest papēdi, pirkstu un atsperi (aksiāli).

Salāgojiet, kad uzvilкта kurpe un pēda ir pilnībā atliekta uz priekšu.

*Aptuvenā attiecība

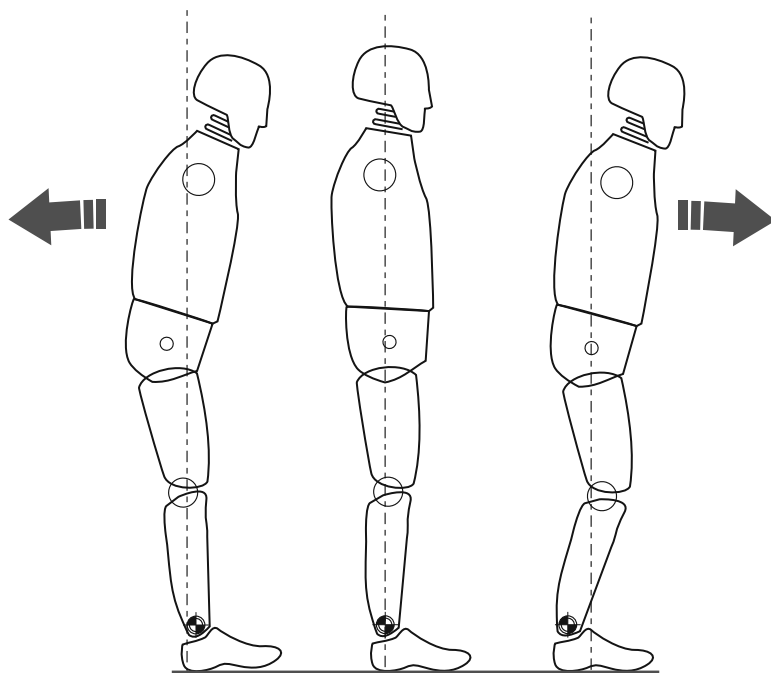
7.2 Biomimētiskā salāgošana

Salāgošanas mērķis ir sasniegt līdzsvara punktu stāvot un iestatīt hidrauliski amortizētu kustību diapazonu. Amortizācijas regulēšanas mērķis ir precīzi noregulēt potītes un pēdas svara pārnesanas stabilitātes īpašības, līdz tiek sasniegta ērta gaita. Potītes palielinātā kustību diapazona dēļ lietotājam, iespējams, būs sajūta, ka potīti ir nepieciešams kontrolēt un iestatīšanas laikā sākotnēji potīte šķitīs traucējoša. Pēc apmierinošas iestatīšanas šīs sajūtas ātri pāriet.

Krišana atpakaļ =
[pārmērīga izstiepšana]
A–P pārbīde pārāk daudz uz priekšu



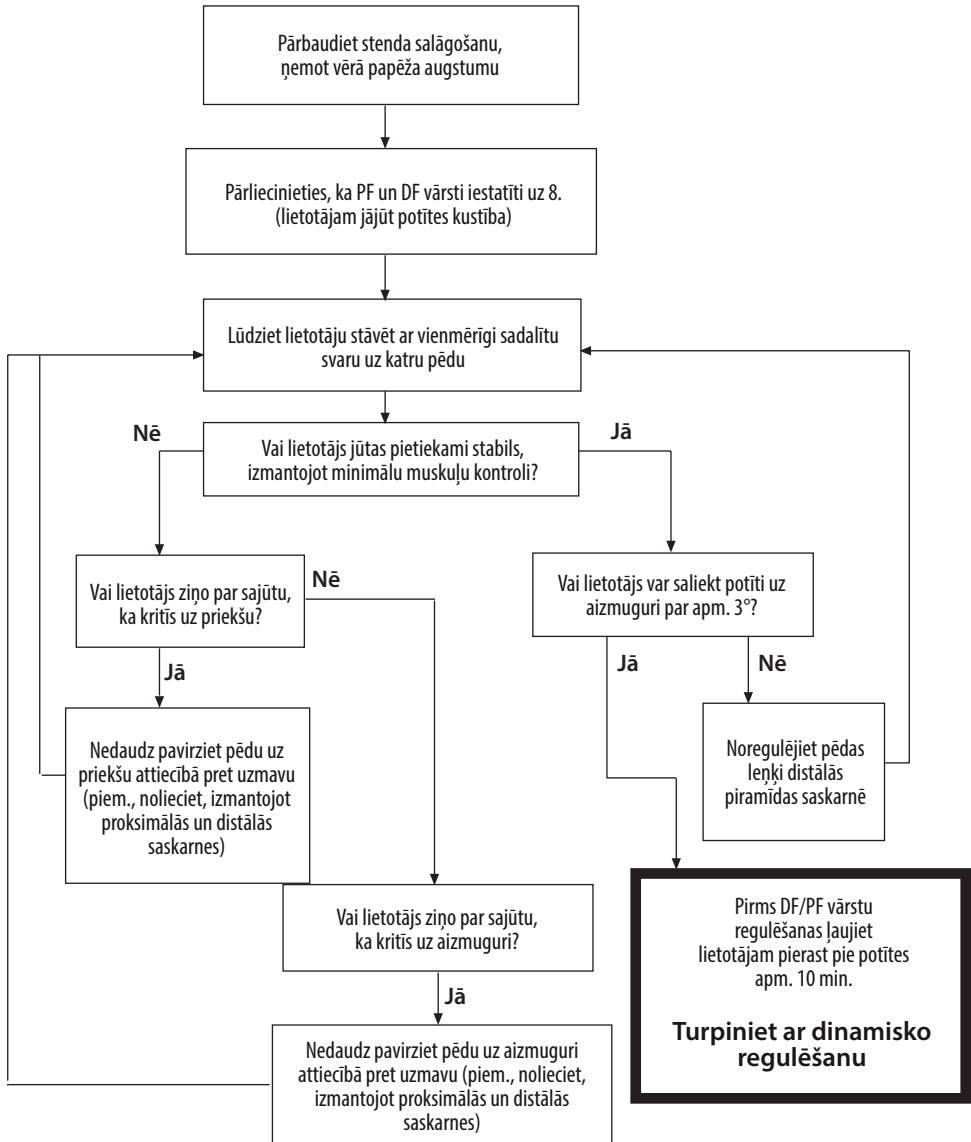
Krišana uz priekšu =
[pārmērīga saliekšana]
A–P pārbīde pārāk daudz uz aizmuguri



Pārliecinieties, ka lietotājs jūtas stabili un nebalstās uz dorsālfleksijas robežas.

7.3 Biomimētiskā regulēšana

Piezīme... Veiciet statisko salāgošanu, vienlaikus nodrošinot, ka lietotājam ir daži atbalsta līdzekļi, piemēram, paralēlie stieņi. Tas nepieciešams tikai salāgošanai stāvēt.



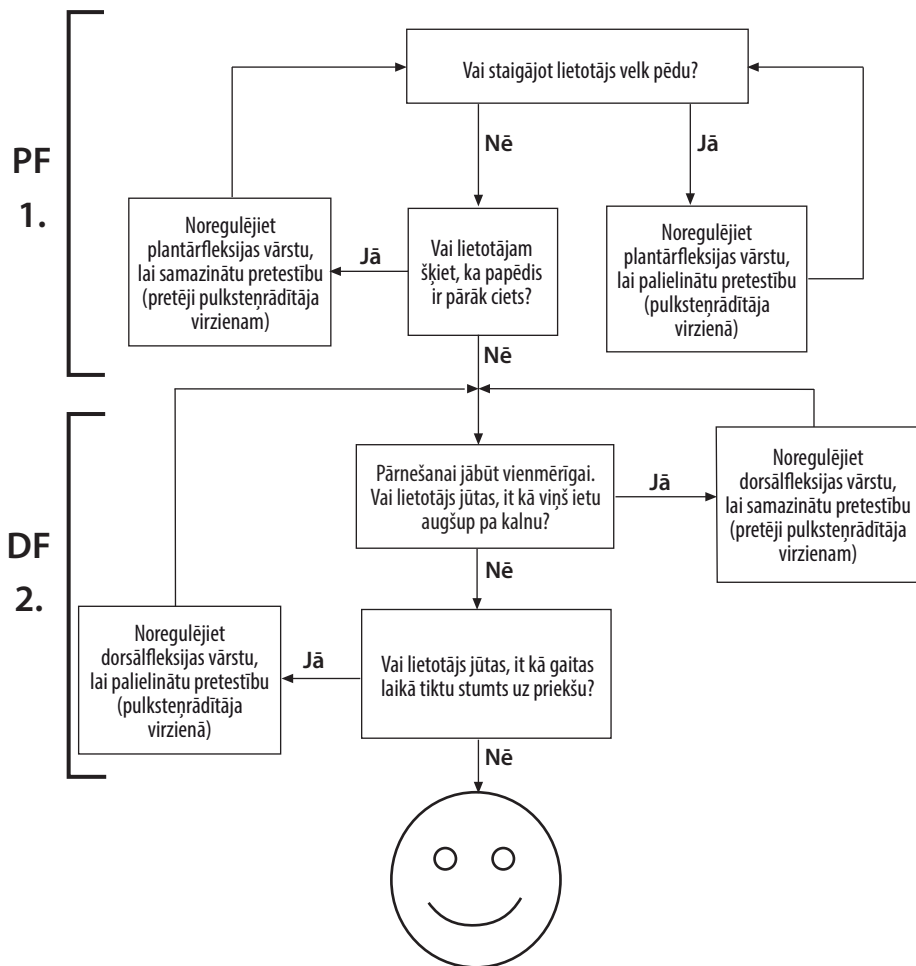
Izmantojiet pārbūdi statistiskajai salāgošanai un stāvēšanai.

Ierīcei jāspēj nodrošināt automātiska salāgošana, lai lietotājam stāvēšanas laikā rastos līdzsvara sajūta.

7.4 Dinamiskā regulēšana

Hidraulisko vārstu regulēšana

Lietotājam jāizjūt potītes kustība kopā ar ķermeni visā gaitas cikla laikā. Lietotājam nevajadzētu būt sarežģīti pārvarēt potītes hidraulisko pretestību.



Vadlinijas

Pēc dinamiskās regulēšanas izmēģiniet pēdu/potīti uz rampām un kāpnēm. Pārliecinieties, ka lietotājs jūtas komfortabli uz reljefa, pa kādu viņam/viņai var būt jāpārvietojas. Ja lietotājs norāda uz problēmām saistībā ar komfortu, izmantojamību vai potītes kustību diapazonu, veiciet atbilstošu regulēšanu.

8 Pielāgošanas ieteikumi

Lai panāktu vienmērīgu svāra pārvešanu un pareizu pēdas pielāgošanos slīpumam, ārkārtīgi svarīga ir pareiza salāgošana (A- P pozīcija), kustības diapazons (sadalijsms no plantārflēksijas līdz dorsālflēksijai) un hidraulisko iestatijsumu pielāgošana (skatiet 7.3 *Biomimētiskā regulēšana*. sadaļu).

lerīce aksiālās atspēres ir paredzētas, lai darbotos kopā ar papēža un pirksta atspērēm un vairumam lietotāju nodrošinātu vienmērīgu virzību. Aksiālā atspere kontrolē gan saspiēšanas, gan vērpes elastību, un normālai staigāšanai tipiskajai aksiālajai kustībai jābūt starp 3–6 mm.

lerīce ir pieejama ar 4 aksiālo atspēru kategoriju izvēli (sīkāku informāciju skatīt 1. sadaļā).

Dodiet laiku, lai lietotājs iepazītos ar sākotnējo iestatijsanu.

Ja pēc tālāk sniegto norādījumu izpildes funkcionalitātes problēmas joprojām pastāv, lūdzu, sazinieties ar pārdošanas komandu savā apgabalā, lai saņemtu palīdzību.

Jebkas no tālāk norādītā negatīvi ietekmēs funkcionalitāti un stabilitāti:

- nepareiza atspēres izvēle;
- nepareiza A–P pārbīdes salāgošana;
- nepareizs plantārflēksijas un dorsālflēksijas diapazona sadalijsms.

	<i>Simptomi</i>	<i>Risinājums</i>
1.	<ul style="list-style-type: none">• Papēža iegrimšana• Grūtības sasniegt vienmērīgu slodzes pārvešanu kājas kustības vidus fāzē• Lietotājam ir sajūta kā ejot pret kalnu vai pēdas priekšpuse šķiet pārāk gara	<ul style="list-style-type: none">• Palieliniet plantārflēksijas pretestību• Pārbaudiet A-P pārbīdes salāgojumu; pārliecinieties, ka pēda nav novietota pārāk tālu uz priekšu• Pārbaudiet plantārflēksijas un dorsālflēksijas kustības sadalijsmu; pārliecinieties, ka plantārflēksijas diapazons nav pārāk liels• Pārbaudiet, vai nav izvēlēta pārāk zemas kategorijas (vaiļģa) atspere; ja tā ir, uzstādiēt augstākas kategorijas atspēri
2.	<ul style="list-style-type: none">• Virzība no papēža uz kājas kustības slodzes pārvešanas vidus fāzi ir pārāk ātra• Grūtības kontrolēt enerģijas atdevi no pēdas pie papēža (samazināta ceļa stabilitāte)• Lietotājam šķiet, ka papēdis ir pārāk ciets, pēdas priekšpuse pārāk īsa	<ul style="list-style-type: none">• Samaziniet plantārflēksijas pretestību• Pārbaudiet A-P pārbīdes salāgojumu; pārliecinieties, ka pēda nav novietota pārāk daudz uz aizmuguri• Pārbaudiet plantārflēksijas un dorsālflēksijas kustības sadalijsmu; pārliecinieties, ka ir atbilstošs plantārflēksijas diapazons• Pārbaudiet, vai atspēres kategorija nav pārāk augsta pacienta ķermeņa masai un aktivitātei; ja tā ir, uzstādiēt zemākas kategorijas atspēri

	<i>Simptomi</i>	<i>Risinājums</i>
3.	<p>Papēža kontakts un virzība šķiet labi, bet:</p> <ul style="list-style-type: none"> • pēdas priekšpuse šķiet pārāk miksta; • pēdas priekšpuse šķiet pārāk isa. • Lietotājam ir sajūta, it kā viņš ietu <i>leju</i> no kalna, iespējams, ar samazinātu ceļa stabilitāti • Enerģijas atdeves trūkums 	<ul style="list-style-type: none"> • Palieliniet dorsālfleksijas pretestību • Pārbaudiet A-P pārbīdes salāgojumu; pārliecinieties, ka pēda nav novietota pārāk daudz uz aizmuguri • Pārbaudiet plantārfleksijas un dorsālfleksijas kustības sadalījumu, pārliecinieties, ka dorsālfleksijas amplitūda nav pārāk liela • Pārbaudiet, vai atsperes kategorija nav pārāk zema pacienta ķermeņa masai un aktivitātei; ja tā ir, uzstādiet augstākas kategorijas atsperi
4.	<p>Papēža kontakts un virzība šķiet labi, bet:</p> <ul style="list-style-type: none"> • Pēdas priekšpuse šķiet pārāk stingra • Pēdas priekšpuse šķiet pārāk gara • Sajūta kā ejot pret kalnu 	<ul style="list-style-type: none"> • Samaziniet dorsālfleksijas pretestību • Pārbaudiet A-P pārbīdes salāgojumu; pārliecinieties, ka pēda nav novietota pārāk tālu uz priekšu • Pārbaudiet plantārfleksijas un dorsālfleksijas kustības sadalījumu; pārliecinieties, ka dorsālfleksijas diapazons ir pietiekams • Pārbaudiet, vai atsperes kategorija nav pārāk stingra pacienta ķermeņa masai un aktivitātei; ja tā ir, uzstādiet zemākas kategorijas atsperi

9 Apkopes norādījumi

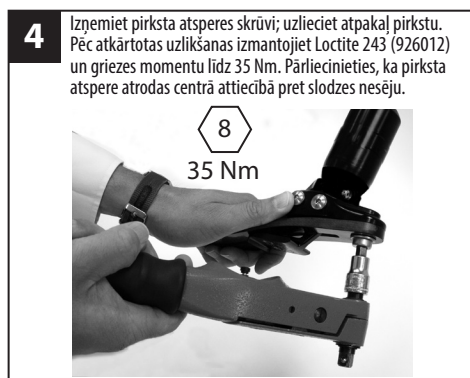
 Vienmēr apzinieties pirkstu iespiešanas bīstamību.

 Izmantojiet atbilstošu aprīkojumu veselības nodrošināšanai un aizsargaprīkojumu, ieskaitot ekstrakcijas līdzekļus.

9.1 Pēdas protēzes apvalka noņemšana



9.2 Papēža un pirksta atsperes nomaiņa



7

Ja paredzēts izmantot mīkstās putas (*Foam Cosmesis*), padariet raupjāku pēdas protēzes apvalka augšējo virsmu, lai nodrošinātu izcilu piesaistes virsmu.

**8**

Ja nepieciešams, ieeļļojiet pirkstu un papēdi. (Pēdas apvalks ir ieeļļots iepriekš.)

**9**

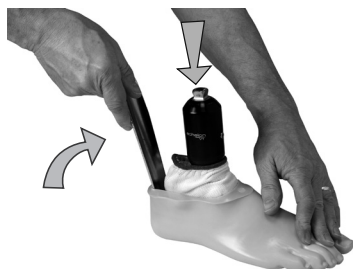
Pirksta atsperes atrašanās vieta pēdas protēzes apvalkā.

10

Izmantojiet piemērotu sviru, lai nodrošinātu, ka papēža atspere tiek fiksēta pēdas protēzes apvalkā.

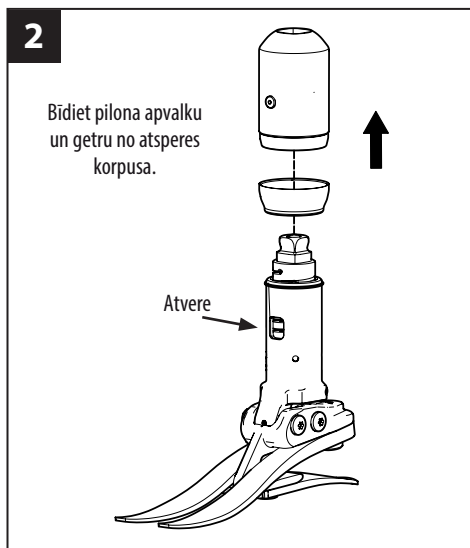
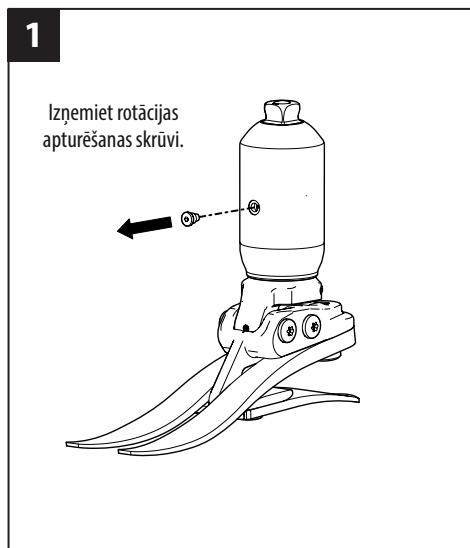
**11**

Pārlicinieties, ka papēža atspere ievietojas atverē.



Ja nepieciešama kosmētiska apdare, lūdzu, sazinieties ar Blatchford pārdošanas komandas locekli.

9.3 Pilona apvalks



Notīriet un atkārtoti ieeļļojiet gultņa virsmu.

Izmantojiet Sapphire Endure (928015) vai līdzvērtīgu PTFE smērvielu.

9.3.1 Uzstādiet atkārtoti

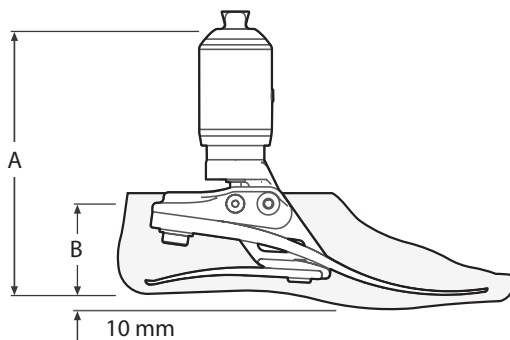
Pārliecinieties, ka rotācijas apturēšanas skrūve tiek salāgota ar pilona atveri; uzklājiet Loctite 243 un pievelciet.

Ir pieejama nomaiņas getra Preces Nr. 534003

10 Tehniskie dati

Darbības un uzglabāšanas temperatūras diapazons:	-15 °C līdz 50 °C
Komponenta svars (26.N izmērs):	1,05 kg
Ieteicamais aktivitātes līmenis:	3
Maks. lietotāja ķermeņa masa:	125 kg
Izmērs:	22 līdz 30 cm
Proksimālā noregulējuma pievienošana:	Spraudņa tipa piramīda (Blatchford) +/- 7°
Potītes kustības diapazons:	6° plantārflleksija līdz 3° dorsālflleksija
Maksimālā rotācija:	+/- 15°
Tipiska aksiālā kustība:	3–6 mm [maksimāli 10 mm]
Konstrukcijas augstums:*	22 cm - 24 cm 168 mm 25 cm - 26 cm 173 mm 27 cm - 30 cm 178 mm
Papēža augstums:	10 mm

Uzstādīšanas garums



Izmērs	A
22.–24.	168 mm
25.–26.	173 mm
27.–30.	178 mm

Izmērs	B
22.–26.	65 mm
27.–28.	70 mm
29.–30.	75 mm

11 Pasūtīšanas informācija

Pasūtījuma piemērs.

ECVT	25	L	N	3	2	S
	Izmērs	Puse (L=kreisā/ R=labā)	Platums* (N=šaura/ W=plats)	Atsperu komplekta kategorija	Aksiālā atspere	Sandales pirksta protēze

Pieejama no 22. līdz 30. izmēram:
ECVT22L11S līdz ECVT30R84S
ECVT22L11SD līdz ECVT30R84SD

(tumša toņa pēdas
apvalkam pievienojiet D)

*Tikai 25.–28. izmērs. Visiem pārējiem izmēriem izlaidiet
lauku Width (Platums).

piem., ECVT25LN12S, ECVT22R34S, ECVT27RW33SD

Atsperu komplekti				
Kategorija	Pēdas izmēri			
	Mazs (S)	Vidējs (M)	Liels (L)	Ļoti liels (XL)
	22.–24.	25.–26.	27.–28.	29.–30.
1. komplekts	539801S	539810S	539819S	539828S
2. komplekts	539802S	539811S	539820S	539829S
3. komplekts	539803S	539812S	539821S	539830S
4. komplekts	539804S	539813S	539822S	539831S
5. komplekts	539805S	539814S	539823S	539832S
6. komplekts	539806S	539815S	539824S	539833S
7. komplekts	539807S	539816S	539825S	539834S
8. komplekts	539808S	539817S	539826S	539835S

Pēdas protēzes apvalks (tumšajam pievienojiet D)		
Izmērs/ puse	Šaura	Plats
22L	539038S	-
22R	539039S	-
23L	539040S	-
23R	539041S	-
24L	539042S	-
24R	539043S	-
25L	539044SN	539044SW
25R	539045SN	539045SW
26L	539046SN	539046SW
26R	539047SN	539047SW
27L	539048SN	539048SW
27R	539049SN	539049SW
28L	539050SN	539050SW
28R	539051SN	539051SW
29L	-	539052S
29R	-	539053S
30L	-	539054S
30R	-	539055S

Vienība	Daļas Nr.
Slidoša zeķe (22.–26. izmērs)	531011
Slidoša zeķe (27.-30. izmērs)	532811
DF/PF regulētāja atslēga, 4 A/F seškanšu atslēga	940236
Getra	534003
Rotācijas apturēšanas skrūve	534005

Atbildība

Ražotājs iesaka izmantot ierīci tikai noteiktos apstākļos un paredzētajiem mērķiem. Ierīces apkope ir jāveic saskaņā ar komplektācijā iekļauto lietošanas pamācību. Ražotājs nav atbildīgs par negatīviem rezultātiem, ko izraisa neatļautas komponentu kombinācijas.

CE atbilstība

Šis izstrādājums atbilst Eiropas Regulai ES 2017/745, kas attiecas uz medicīniskajām ierīcēm. Šis izstrādājums ir klasificēts kā I klases produkts saskaņā ar klasifikācijas kritērijiem, kas izklāstīti Regulas VIII pielikumā. ES atbilstības deklarācijas sertifikāts pieejams tīmekļa vietnē www.blatchford.co.uk



Medicīniskā ierīce



Viens pacients — atkārtota lietošana

Saderība

Kombinācija ar Blatchford zīmola izstrādājumiem ir apstiprināta, pamatojoties uz testēšanu saskaņā ar attiecīgajiem standartiem un MDR, tostarp attiecībā uz konstrukcijas pārbaudi, izmēru saderību un uzraudzītu lauka veiktspēju.

Kombinēšana ar alternatīviem CE marķētiem izstrādājumiem jāveic, ņemot vērā dokumentētu vietējā riska novērtējumu, ko izpilda speciālists.

Garantija

Šai ierīcei tiek sniegta 36 mēnešu garantija, pēdas apvalkam — 12 mēneši, slidošajai zeķei — 3 mēneši. Lietotājam ir jāapzinās, ka izmaiņas vai pārveidojumi, kas nav skaidri apstiprināti, var anulēt garantiju, darbības licences un izņēmumus. Pilnīgu pašreizējo garantijas paziņojumu skatīt Blatchford tīmekļa vietnē.

Ziņošana par nopietniem negadījumiem

Ja rodas nopietns negadījums, kas saistīts ar šo ierīci un kas ir maz ticams, par to jāziņo ražotājam un valsts kompetentajai iestādei.

Vides aspekti

Ja iespējams, komponenti jāpārstrādā saskaņā ar vietējiem atkritumu apstrādes noteikumiem.


Iepakojuma etiķetes saglabāšana

Iesakām glabāt iepakojuma etiķeti atsaucei par piegādāto ierīci.

Paziņojumi par preču zīmēm

Echelon un Blatchford ir Blatchford Products Limited reģistrētās preču zīmes.

Ražotāja reģistrētā adrese

 Blatchford Products Limited, Lister Road, Basingstoke RG22 4AH, Apvienotā Karaliste.

Turiny	154
1 Aprašas ir numatyta paskirtis	155
2 Saugos informacija	157
3 Konstrukcija	158
4 Veikimas	159
5 Priežiūra	159
6 Naudojimo apribojimai	160
7 Lygiavimas stende	161
7.1 Statinis lygiavimas	161
7.2 Biomimetinis lygiavimas	162
7.3 Biomimetinis reguliavimas	163
7.4 Dinaminis reguliavimas	164
8 Pritaikymo patarimai	165
9 Priežiūros instrukcijos	167
9.1 Pėdos protezo apvalkalo nuėmimas	167
9.2 Kulno ir pirštų spyruoklių keitimas	167
9.3 Atramos mova	169
10 Techniniai duomenys	170
11 Informacija apie užsakymą	171

1 Aprašas ir numatyta paskirtis

Ši instrukcija skirta gydytojui.

Šiame dokumente terminu „priemonė“ vadinamas protezas „EchelonVT“.

Taikymas

Priemonė skirta naudoti tik kaip apatinės galūnės protezo dalis.

Skirta vienam naudotojui.

Priemonė automatiškai ribotai sulygiuoja protezą vaikstant ant skirtingų paviršių arba pakeitus avalynę. Ji skirta kūno laikysenos svyravimui sumažinti ir simetriškumui padidinti, sumažinant neįprastą spaudimą bigės ėmiklio sandūroje. Priemonėje taip pat yra spyruoklinis elementas, amortizuojantis ašinius ir sukamuosius smūgius. Jo paskirtis yra sumažinti šlyties įtempius likusios galūnės dalies ir bigės ėmiklio sandūroje.

Mobilumo lygis

Priemonė rekomenduojama naudotojams, kurie gali pasiekti 3 mobilumo lygį, kuriems pravartus padidintas stabilumas ir pasitikėjimas savimi ant nelygių paviršių. Papildomu smūgių amortizavimu ir energijos grąžinimu, kuriuos užtikrina ašinė spyruoklė, siekiama padidinti patogumą ir pagerinti veikimą.

Būna išimčių, todėl savo rekomendacijoje atsižvelgiame ir į galimas individualias naudojimo aplinkybes. Ši priemonė gali būti naudinga ir kai kuriems 2 ir 4* mobilumo lygio naudotojams, kuriems pravartus priemonės suteikiamas didesnis stabilumas, tačiau šis sprendimas turi būti logiškas ir visapusiškai pagrįstas.

1 mobilumo lygis

Naudodamas protezą geba perkelti svorį nuo vienos kojos ant kitos arba eiti lygiu paviršiumi vienodu greičiu. Tipinis ambulatorinis ligois, galintis vaikščioti su apribojimais arba be jų.

2 mobilumo lygis

Geba vaikščioti ir įveikti žemas aplinkos kliūtis, pvz., šaligatvio bortelius, laiptus arba nelygius paviršius. Tipinis ambulatorinis ligois, galintis su apribojimais vaikščioti ne tik gyvenamojoje vietoje.

3 mobilumo lygis

Geba vaikščioti kintamu greičiu.

Tipinis ambulatorinis ligois, kuris gali vaikščioti ne tik gyvenamojoje vietoje, geba įveikti daugumą aplinkos kliūčių ir gali užsiimti profesine, terapine arba mankštos veikla, dėl kurios protezas turi būti naudojamas intensyviau, nei atliekant įprastus judesius.

4 mobilumo lygis

Geba vaikščioti su protezu tokiu būdu, kuris viršija elementaraus vaikščiojimo įgūdžius, pasižymi stipriais smūgiais, įtempiais ir dideliu energijos kiekiu. Tipiniai vaikų, aktyvių suaugusiųjų arba sportininkų su protezu poreikiai.

(* Naudotojo svoris turi neviršyti 100 kg ir visada reikia naudoti vienu lygiu aukštesnę spyruoklių standumo kategoriją, nei nurodyta spyruoklių komplekto parinkimo lentelėje.)

Kontraindikacijos

Priemonė gali netikti 1 mobilumo lygio asmenims arba sporto varžyboms, nes tokiems naudotojams geriau tinka pagal jų poreikius specialiai suprojektuotas ir optimizuotas protezas. Įsitikinkite, kad naudotojas suprato visus naudojimo nurodymus, ypač atkreipdami dėmesį į skyrių apie priežiūrą.

Klinikinė nauda

- Padidinta prošvaisa sumažina užkliuvimo ir pargriuvimo riziką
- Automatinis lygiavimas pagerina balansą
- Geresnis prisitaikymas prie pagrindo einant nuožulnia vieta
- Didesnis kinetinis eisenos simetriškumas
- Mažesnė likusios galūnės dalies apkrova
- Mažesnė likusios galūnės dalies apkrova
- Mažesnis nugaros skausmas sukantis
- Didesnis ėjimo greitis

Spyruoklių komplekto parinkimas

3 mobilumo lygis

44-52	53-59	60-68	69-77	78-88	89-100	101-116	117-125	kg
1	2	3	4	5	6	7	8	
	●	●●		●●●		●●●●		
1		2		3		4		

**Hmotnost
Naudotojo svoris**
**Pėdos protezo
spyruoklių
komplektas**
**Sila pružiny
absorbėru
axiálních
nárazů**

Pastaba... Jei abejojate, kurią iš dviejų kategorijų pasirinkti, pasirinkite didesnio standumo spyruoklių komplektą. Pėdos protezo spyruoklių komplekto rekomendacijos skirtos naudotojams su žemiau kelio amputuota galūne.

Naudotojams su virš kelio amputuota galūne siūlome parinkti vienu lygiu žemesnę spyruoklių komplekto kategoriją (žr. 8 skyriuje *Pritaikymo patarimai*), kad užtikrintumėte tinkamą veikimą ir judesių diapazoną.

2 Saugos informacija



Šiuo įspėjamoju simboliu pažymėta svarbi saugos informacija, kuria būtina atidžiai vadovautis.



Apie bet kokius galūnės veikimo arba funkcionavimo pakitimus, pvz., ribotą judėjimą, nesklاندų judėjimą arba neįprastus garsus, būtina nedelsiant pranešti priežiūros specialistui.



Visada laikykitės už turėklų, kai leidžiatės laiptais žemyn ir kitais atvejais, kai turėklai įrengti.



Priemonė netinkama ekstremaliam sportui, bėgimui, dviračių lenktynėms, žiemos sporto šakoms, labai stačioms įkalnėms ir laiptams. Užsiimdami tokia veikla naudotojai prisiima visą atsakomybę. Leidžiamas pramoginis važinėjimas dviračiu.



Priemonės surinkimo, priežiūros ir remonto darbus privalo atlikti tik tinkamos kvalifikacijos gydytojas.



Pajutęs diskomfortą naudotojas turi susisiekti su gydytoju.



Vairuokite tik tinkamai pritaikytas transporto priemones. Valdydami motorines transporto priemones visi asmenys privalo laikytis atitinkamų vairavimą reglamentuojančių teisės aktų.



Siekiant sumažinti paslydimo arba užkliuvimo riziką, reikia visada avėti tinkamą avalynę, kuri tvirtai užsideda ant pėdos protezo apvalkalo.



Kurį laiką nepertraukiamai panaudojus kulkšnies korpusas gali įkaisti.



Saugokite nuo itin didelio karščio ir (arba) šalčio.



Naudotojui neleidžiama koreguoti ar savavališkai keisti priemonės sąrankos.

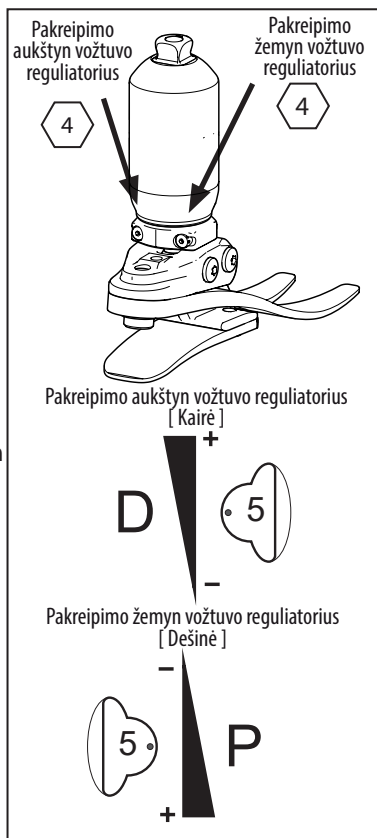
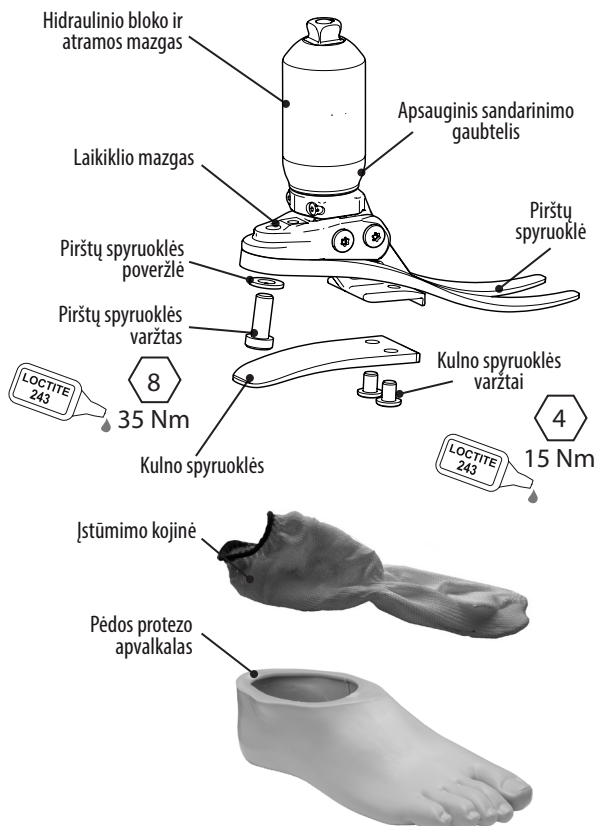


Visada atminkite apie pirštų prispaudimo pavojų.

3 Konstrukcija

Pagrindinės dalys

- Hidraulinio bloko ir atramos mazgas (aliuminis, nerūd. plienas, titanas)
- Laikiklio mazgas (aliuminis, nerūd. plienas)
- Kulno ir pirštų spyruoklės („E-carbon“)
- Spyruoklių tvirtinimo varžtai (nerūd. plienas, titanas)
- Įstūmimo kojinė (UHM PE)
- Pėdos protezo apvalkalas (PU)



4 Veikimas

Priemonę sudaro hidraulinio bloko mazgas, kuriame yra reguliuojamieji hidrauliniai vožtuvai. Vožtuvus galima atskirai sureguliuoti, norint padidinti arba sumažinti pakreipimo žemyn ir aukštyn hidraulinį pasipriešinimą.

Proksimalinėje hidraulinio bloko mazgo dalyje yra spyruoklinis komponentas, leidžiantis piramidės vamzdžiui ribotai pakrypti ir (arba) pasisukti esant ašinei ir (arba) susisukimo apkrovai. Apkrovai pranykus spyruoklė grįžta į pradinę padėtį. Šis judesys susilpnina smūgių jėgas, kurios kitaip būtų perduodamos į likusios galūnės dalies ir bigės ėmiklio sandūrą tiek ašine, tiek sukimosi kryptimis.

Hidraulinio bloko mazgas dviem sukimosi ašies kaiščiais prijungtas prie laikiklio mazgo. Kulno ir pirštų spyruoklės titano ir nerūdijančiojo plieno varžtais pritvirtintos prie laikiklio. Pėdos protezas įkišamas į UHM PE kojinę ir ant jo užmaunamas PU apvalkalas.

5 Priežiūra

Priežiūros darbus privalo atlikti kompetentingi darbuotojai.

Rekomenduojama kasmet atlikti šiuos priežiūros darbus:

- Patikrinkite, ar nėra matomų defektų, galinčių neleisti priemonei tinkamai veikti.
- Nuvalykite ir iš naujo sutepkite guolių paviršių. Naudokite „Sapphire Endure“ (928015) arba lygiavertį tepalą, papildytą PTFE (žr. 9 skyrių *Priežiūros instrukcijos*).
- Nuimkite pėdos protezo apvalkalą ir įstūmimo kojinę, patikrinkite, ar nėra pažeidimų arba nusidėvėjimo, ir, jei reikia, pakeiskite.
- Patikrinkite, ar visi varžtai tinkamai užveržti, nuvalykite ir, jei reikia, perrinkite.
- Apžiūrėkite, ar nėra kulno ir pirštų spyruoklių atsiluoksniavimo arba nusidėvėjimo požymių, ir, jei reikia, pakeiskite. Kurį laiką panaudojus gali atsirasti šiokių tokių paviršiaus pažeidimų, tačiau jie neturi įtakos pėdos protezo veikimui arba patvarumui.

Apie bet kokius priemonės veikimo pakitimus būtina pranešti gydytojui; Galimi veikimo pakitimai:

- kulkšnies standumo padidėjimas;
- ašinio arba sukamojo standumo pakitimas;
- prastesnė kulkšnies atrama (laisvumas);
- spyruoklių suminkštėjimas;
- per didelis guolių laisvumas;
- neįprasti garsai.

Naudotoją reikia informuoti, kad pajutus diskomfortą būtina susisiekti su gydytoju.

Gydytoją taip pat reikia informuoti apie kūno svorio ir (arba) mobilumo lygio pasikeitimus.

Naudotoją reikia informuoti, kad rekomenduojama reguliariai apžiūrėti kojos protezą, o apie pastebėtus nusidėvėjimo požymius, kurie gali turėti įtakos veikimui, pvz., didelį nusidėvėjimą arba stiprų spalvos pakitimą dėl ilgalaikio UV spinduliuotės poveikio, pranešti priežiūros specialistui.

Valymas

Drėgna šluoste ir švelniu muilu nuvalykite išorinius paviršius. Nenaudokite stiprių valiklių.

6 Naudojimo apribojimai

Numatyta naudojimo trukmė

Reikia atlikti vietinį rizikos vertinimą ir įvertinti aktyvumą bei naudojimą.

Sunkių daiktų kėlimas

Leidžiamas naudotojo svoris ir aktyvumas priklauso nuo nurodytų ribų.

Galimybė naudotojui nešti sunkius daiktus turi būti pagrįsta vietiniu rizikos vertinimu.

Aplinka

Saugokite priemonę nuo koroziją sukeliančių medžiagų, pvz., vandens, rūgščių ir kitų skysčių. Taip pat venkite aplinkos, kurioje yra abrazyvinių medžiagų, pvz., smėlio, nes jos gali sukelti pirmalaikį susidėvėjimą.

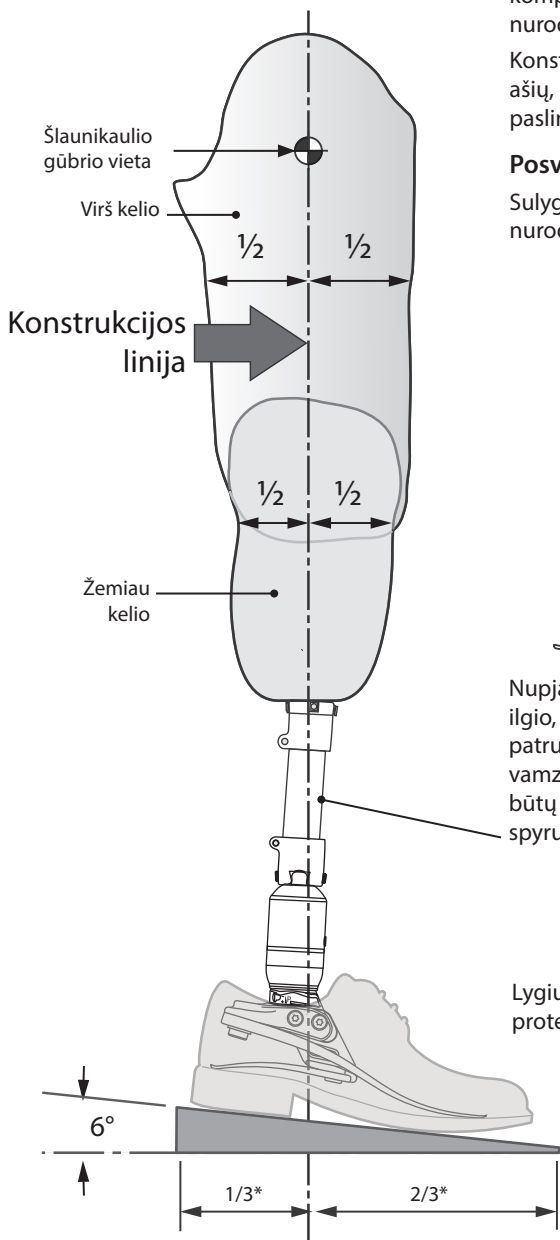
Naudokite tik nuo $-15\text{ }^{\circ}\text{C}$ iki $50\text{ }^{\circ}\text{C}$ temperatūroje.



Tinkama naudoti lauke

7 Lygiavimas stende

7.1 Statinis lygiavimas

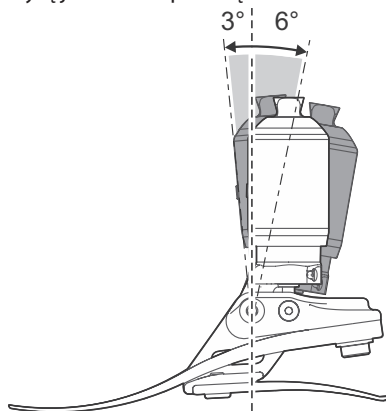


Virš kelio amputuotos galūnės priemonės sulygiuokite vadovaudamiesi su kelio komponentu pateiktais pritaikymo nurodymais.

Konstrukcijos liniją išlaikykite tarp sukimosi ašių, kaip parodyta. Jei reikia, naudokite paslinkimo ir (arba) pakreipimo priemones.

Posvyrio nustatymas

Sulygiuokite galūnę, kad pasiektumėte nurodytą judesio diapazoną.

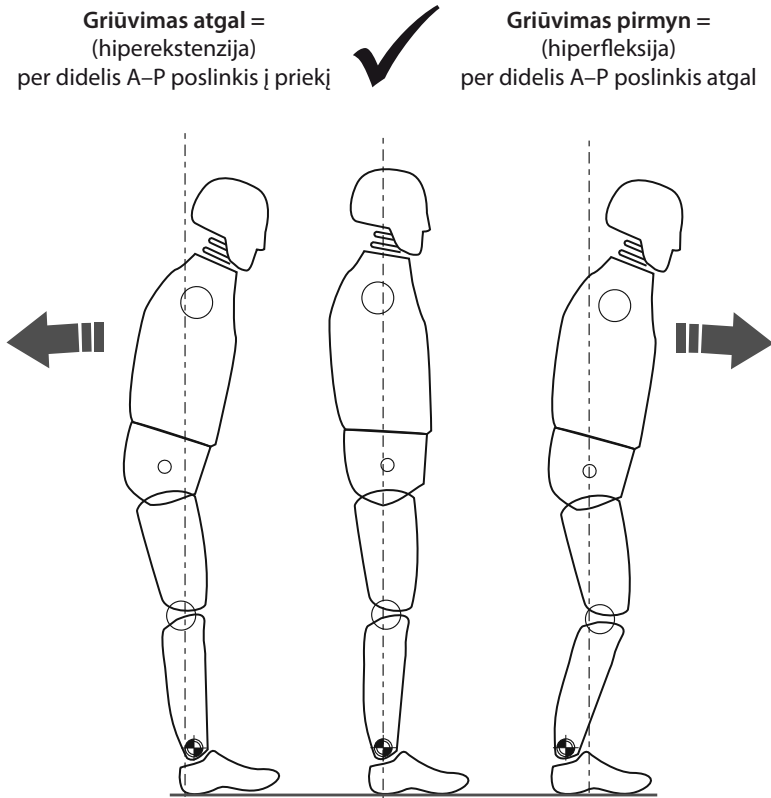


Nupjaukite blauzdos vamzdį iki apytikslio ilgio, palikdami 10–15 mm galutiniam patrupinimui. **Pastaba.** Bandomasis vamzdžio ilgis paprastai apima 10 mm, kad būtų kompensuojamas ašinis kulno, pirštų į spyruoklės (ašinės) susispaudimas.

Lygiuokite apavę batą ir pakreipę pėdos protezę iki galo žemyn.

7.2 Biomimetinis lygiavimas

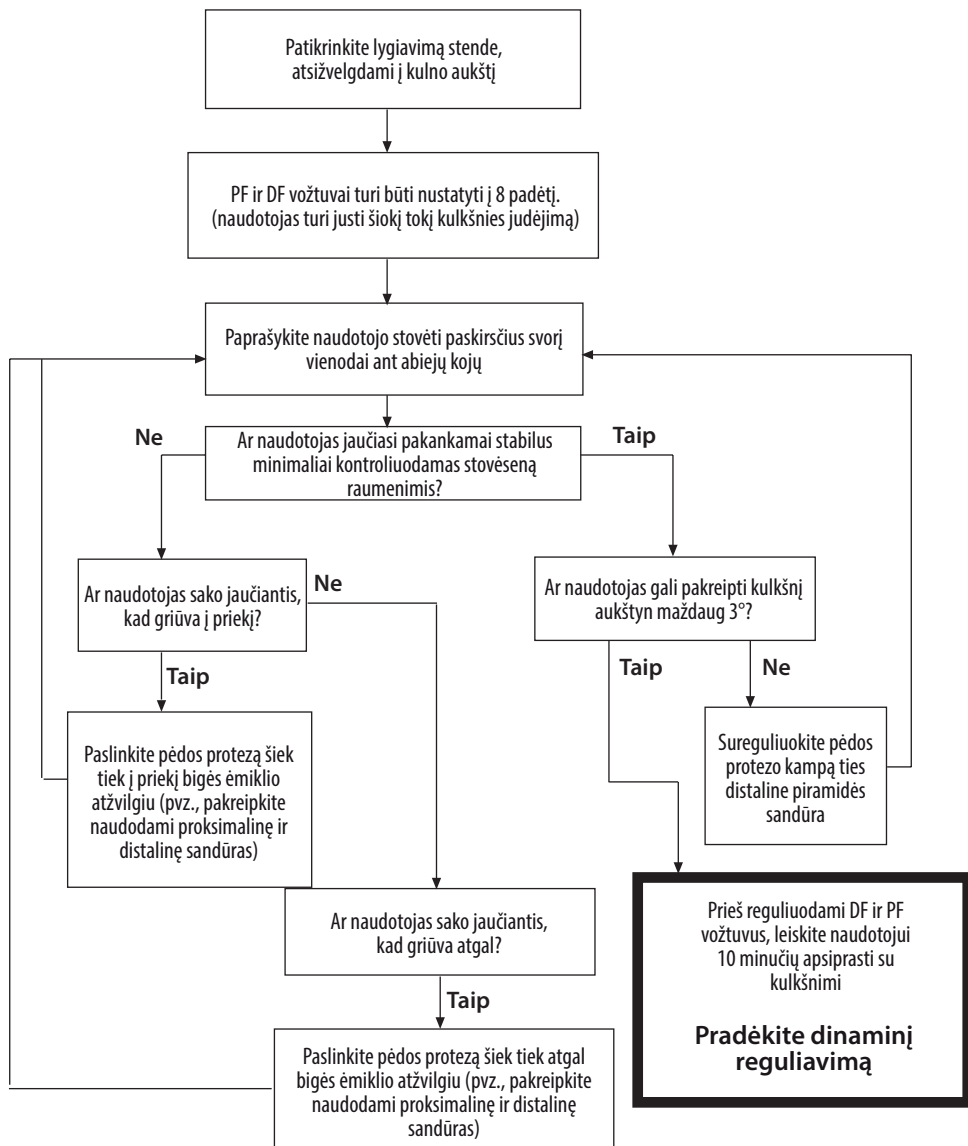
Lygiavimo tikslas yra pasiekti „pusiausvyros tašką“ stovint ir nustatyti hidrauliškai amortizuojamą judesio diapazoną. Amortizavimo reguliavimo tikslas yra tiksliai sureguliuoti pėdos sukimosi apie kulkšnį standumo charakteristikas, kad eisena būtų patogi. Dėl didesnio judesių diapazono, kurį suteikia kulkšnis, derinant naudotojas gali norėti labiau valingai kontroliuoti stovėseną ir iš pradžių kulkšnis gali trikdyti. Tinkamai suregulius šis pojūtis turi greitai praėti.



Naudotojas turi būti atsipalaidavęs ir nesiremti galinėje pakreipimo aukštyn padėtyje.

7.3 Biomimetinis reguliavimas

Pastaba... Statinį lygiavimą atlikite suteikdami naudotojui kokias nors atramas, pvz., lygiagretes. Šis lygiavimas atliekamas tik naudotojui stovint.



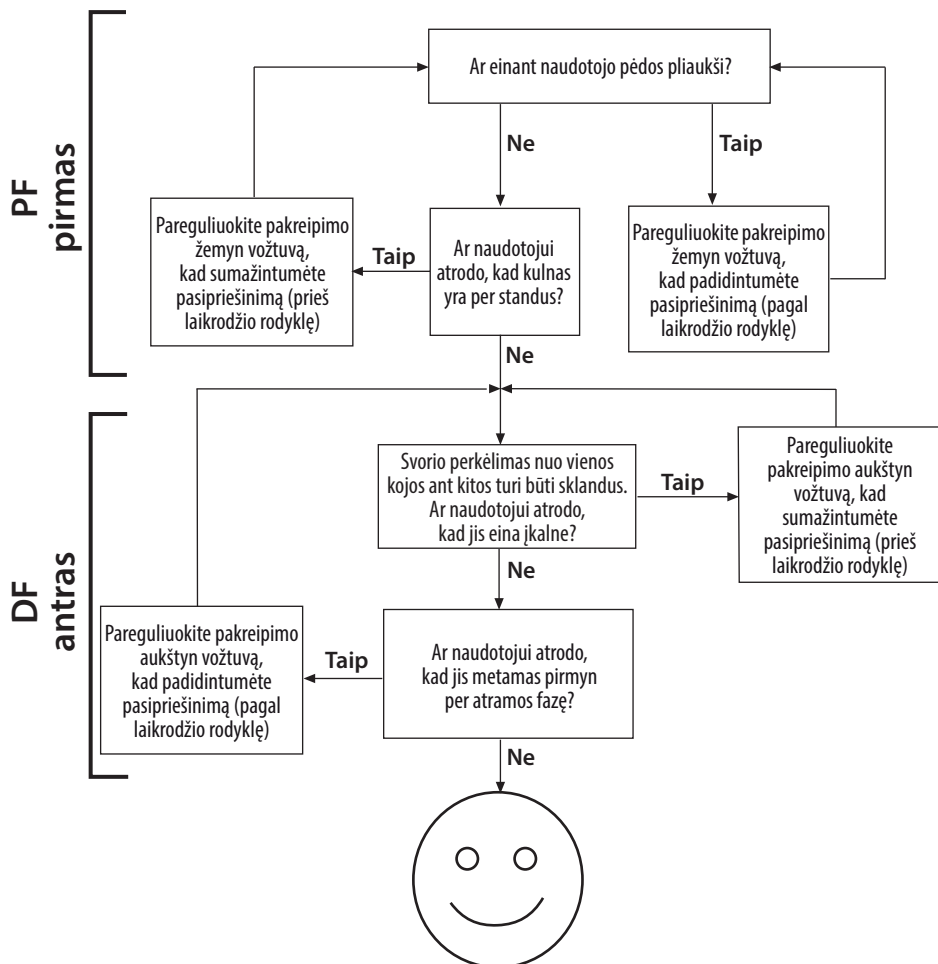
Statiniam lygiavimui ir lygiavimui stovint naudokite poslinkį.

Stovint priemonė turi skatinti naudotoją šiek tiek koreguoti stovėseną pačiam, kad jis pajustų pusiausvyrą.

7.4 Dinaminis reguliavimas

Hidraulinių vožtuvų reguliavimas

Per visą eisenos ciklą naudotojas turi jausti, kad kulkšnis juda kartu su kūnu. Naudotojas turi galėti be jokių pastangų įveikti hidraulinį kulkšnies pasipriešinimą.



Rekomendacijos

Užbaigę dinaminį reguliavimą, išbandykite pėdos protezą ir kulkšnį ant nuožulnaus paviršiaus ir laiptų. Naudotojui turi būti patogiu eiti paviršiumi, kuriuo paprastai tenka vaikščioti.

Jei naudotojas skundžiasi dėl nepatogumo, tinkamumo naudoti arba kulkšnies judesių diapazono, atitinkamai sureguliuokite.

8 Pritaikymo patarimai

Siekiant užtikrinti sklandų pėdos sukimašį apie kulkšnį ir tinkamai pritaikyti ėjimui nuožulnia vieta, itin svarbu tinkamai sulygiuoti (A–P padėtis), nustatyti judesių diapazoną (subalansuoti pakreipimą žemyn ir aukštyn) ir sureguliuoti hidraulinius parametrus (žr. 7.3 *Biomimetinis reguliavimas*).

Priemonės ašinės spyruoklės sukurtos taip, kad kartu su kulno ir pirštų spyruoklėmis užtikrintų sklandų ėjimą daugumai naudotojui. Ašinė spyruoklė kontroliuoja gniuždomąjį ir sukamąjį tamprumą. Normaliai einant, įprastas ašinis judėjimas turi būti 3–6 mm.

Priemonei galima parinkti 4 skirtingų standumų ašinę spyruoklę (išsamiau žr. 1 skyriuje).

Duokite naudotojui šiek tiek laiko apsiprasti su pradine sąranka.

Jei laikantis toliau pateiktų nurodymų vis tiek kyla funkcionavimo problemų, kreipkitės patarimo į savo vietos pardavimo komandą.

Toliau nurodytos aplinkybės paveiks funkcionavimą ir stabilumą.

- parinkta netinkama spyruoklė;
- Netinkamai sulygiuotas A–P poslinkis
- Netinkamai subalansuotas pakreipimo žemyn ir pakreipimo aukštyn diapazonas)

	<i>Problema</i>	<i>Sprendimas</i>
1.	<ul style="list-style-type: none">• Smunkama atremiant kulną• Sunku užtikrinti sklandų perėjimą į atramą visa pėda• Naudotojui atrodo, kad jis eina įkalne arba kad priekinė pėdos dalis yra per ilga	<ul style="list-style-type: none">• Padidinkite pakreipimo žemyn pasipriešinimą• Patikrinkite A–P poslinkio lygiavimą; įsitikinkite, kad pėdos protezas nepaslinktas per daug į priekį• Patikrinkite, ar tinkamai subalansuoti pakreipimo žemyn ir aukštyn judesiai; įsitikinkite, kad pakreipimo žemyn diapazonas ne per didelis• Patikrinkite, ar spyruoklė ne per minkšta. Jei taip, sumontuokite standesnę spyruoklę
2.	<ul style="list-style-type: none">• Per greitai pereinama nuo kulno atrėmimo į atramos visa pėda• Sunku kontroliuoti energijos grąžinimą iš pėdos protezo atremiant kulną (mažesnis kelio stabilumas)• Naudotojui atrodo, kad kulnas yra per standus, priekinė pėdos dalis yra per trumpa	<ul style="list-style-type: none">• Sumažinkite pakreipimo žemyn pasipriešinimą• Patikrinkite A–P poslinkio lygiavimą; įsitikinkite, kad pėdos protezas nepaslinktas per daug atgal• Patikrinkite, ar tinkamai subalansuoti pakreipimo žemyn ir aukštyn judesiai; įsitikinkite, kad pakreipimo žemyn diapazonas yra pakankamas• Patikrinkite, ar spyruoklės kategorija nėra per aukšta pagal paciento svorį ir mobilumą; jei taip, sumontuokite mažesnio standumo spyruoklę

	<i>Problema</i>	<i>Sprendimas</i>
3.	<p>Kulno atrėmimas ir perėjimas atrodo tinkami, tačiau:</p> <ul style="list-style-type: none"> • priekinė pėdos dalis atrodo per minkšta; • priekinė pėdos dalis atrodo per trumpa; • naudotojui atrodo, kad jis eina <i>nuokalne</i>, ir galbūt jaučia mažesnį kelio stabilumą; • grąžinama per mažai energijos. 	<ul style="list-style-type: none"> • Padidinkite pakreipimo aukštyn pasipriešinimą • Patikrinkite A–P poslinkio lygiavimą; įsitikinkite, kad pėdos protezas nepaslinktas per daug atgal • Patikrinkite, ar tinkamai subalansuoti pakreipimo žemyn ir aukštyn judesiai; įsitikinkite, kad pakreipimo aukštyn diapazonas ne per didelis • Patikrinkite, ar spyruoklės kategorija nėra per žema pagal paciento svorį ir mobilumą; jei taip, sumontuokite standesnę spyruoklę
4.	<p>Kulno atrėmimas ir perėjimas atrodo tinkami, tačiau:</p> <ul style="list-style-type: none"> • Priekinė pėdos dalis atrodo per standi • Priekinė pėdos dalis atrodo per ilga • Naudotojui atrodo, kad jis eina įkalne 	<ul style="list-style-type: none"> • Sumažinkite pakreipimo aukštyn pasipriešinimą • Patikrinkite A–P poslinkio lygiavimą; įsitikinkite, kad pėdos protezas nepaslinktas per daug į priekį • Patikrinkite, ar tinkamai subalansuoti pakreipimo žemyn ir aukštyn judesiai; įsitikinkite, kad pakreipimo aukštyn diapazonas yra pakankamas • Patikrinkite, ar spyruoklė nėra per standi pagal paciento svorį ir mobilumą; jei taip, sumontuokite mažesnio standumo spyruoklę

9 Priežiūros instrukcijos

 **Visada atminkite apie pirštų prispaudimo pavojų.**

 **Visada naudokite higienos ir saugos priemones, įskaitant siurbimo įrangą.**

9.1 Pėdos protezo apvalkalo nuėmimas

1 Įkiškite batų šaukštą už kulno spyruoklės.

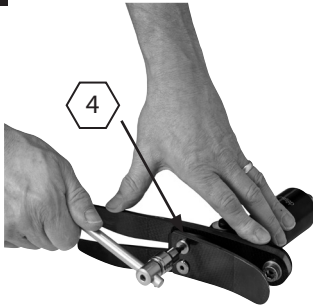


2 Sukite jį, kaip parodyta, kad nuimtumėte apvalkalą.

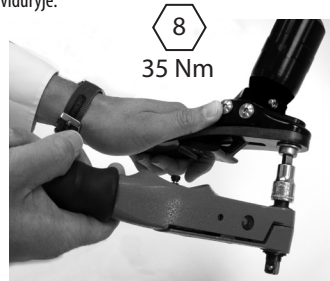


9.2 Kulno ir pirštų spyruoklių keitimas

3 Išsukite varžtus ir nuimkite kulno spyruoklę.



4 Išsukite pirštų spyruoklės varžtą, pakeiskite ją. Sumontuodami užtepkite „Loctite 243“ (926012) ir užveržkite 35 Nm sukimo momentu. Pirštų spyruoklė turi būti laikiklio viduryje.



5 Sumontuokite pakaitinę kulno spyruoklę. Užtepkite „Loctite 243“ (926012) ir užveržkite 15 Nm sukimo momentu.



6 Juodu permanentiniu žymekliu užpieškite atitinkamas linijas ant laikiklio, kad liktų matomas spyruoklių komplekto numeris.



7

Jei reikės uždėti kosmetinį putplasčio priedą, pašiauškite viršutinį pėdos protezo apvalkalo paviršių, kad klijai gerai prie jo prikibtų.

**8**

Jei reikia, sutepkite pirštus ir kulną. (Pėdos protezo apvalkalas suteptas iš anksto.)

**9**

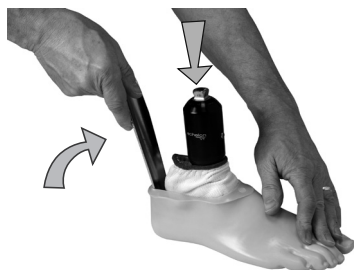
Pirštų spyruoklės vieta pėdos protezo apvalkale.

10

Tinkamu svertu įkiškite kulno spyruoklę į jai skirtą vietą pėdos protezo apvalkale.

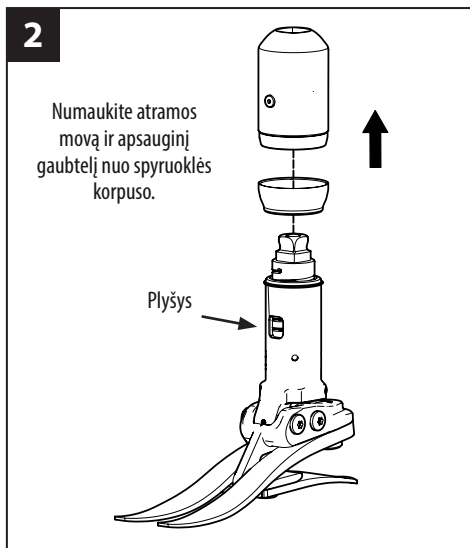
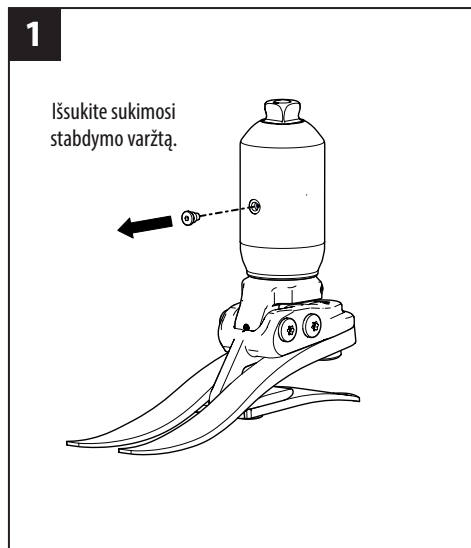
**11**

Kulno spyruoklė turi būti visiškai įstatyta į plyšį.



Jei reikalinga kosmetinė apdaila, susisiekite su „Blatchford“ pardavimo komandos atstovu.

9.3 Atramos mova



Nuvalykite ir iš naujo sutepkite guolių paviršius.

Naudokite „Sapphire Endure“ (928015) arba lygiavertį tepalą, papildytą PTFE.

9.3.1 Pakartotinis surinkimas

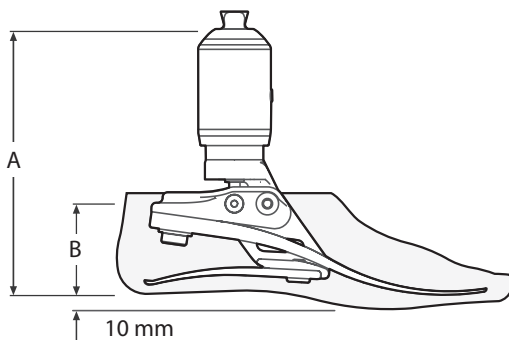
Sukimosi stabdymo varžtas turi būti sulygiuotas su plyšiu atramoje; užtepkite „Loctite 243“ ir užveržkite.

Galima įsigyti pakaitinį apsauginį gaubtelį. Dalies Nr. 534003

10 Techniniai duomenys

Darbinės ir laikymo temperatūros diapazonas	nuo -15°C iki 50°C
Komponento svoris (26N dydžio)	1,05 kg
Rekomenduojamas mobilumo lygis	3
Didžiausias naudotojo svoris	125 kg
Dydžiai	22–30 cm
Proksimalinis lygiavimo tvirtinimas	įkišamoji piramidė („Blatchford“) $\pm 7^{\circ}$
Kulkšnies judesių diapazonas	nuo 6° pakreipimo žemyn iki 3° pakreipimo aukštyn
Didžiausias pasisukimas	$\pm 15^{\circ}$
Įprastas ašinis judėjimas	3–6 mm (didžiausias – 10 mm)
Konstrukcijos linijos aukštis*	22–24 cm, 168 mm 25–26 cm, 173 mm 27–30 cm, 178 mm
Kulno aukštis	10 mm

Derinimo ilgis



Dydis	A
22–24	168 mm
25–26	173 mm
27–30	178 mm

Dydis	B
22–26	65 mm
27–28	70 mm
29–30	75 mm

11 Informacija apie užsakymą

Užsakymo pavyzdys

ECVT	25	L	N	3	2	S
	Dydis	Pusė (L – kairė, R – dešinė)	Plotis* (N – siauras, W – platus)	Spyruoklių komplekto kategorija	Ašinė spyruoklė	Sandalams pritaikyti pirštai

* Tik 25–28 dydžiams. Užsakydami kito dydžio protezą, pločio lauką praleiskite.

Pavyzdžiui, ECVT25LN12S, ECVT22R34S, ECVT27RW33SD

(jei reikia tamsaus atspalvio pėdos protezo apvalkalo, pridėkite raidę D)

Galima užsakyti
22–30 dydžio:
nuo ECVT22L11S
iki ECVT30R84S
nuo ECVT22L11SD
iki ECVT30R84SD

Spyruoklių komplektai				
Standumas	Pėdos dydis			
	Maža (S)	Vidutinė (M)	Didelė (L)	Labai didelė (XL)
	22–24	25–26	27–28	29–30
1 komplektas	539801S	539810S	539819S	539828S
2 komplektas	539802S	539811S	539820S	539829S
3 komplektas	539803S	539812S	539821S	539830S
4 komplektas	539804S	539813S	539822S	539831S
5 komplektas	539805S	539814S	539823S	539832S
6 komplektas	539806S	539815S	539824S	539833S
7 komplektas	539807S	539816S	539825S	539834S
8 komplektas	539808S	539817S	539826S	539835S

Pėdos protezo apvalkalas (jei reikia tamsaus, pridėkite raidę D)

Dydis / pusė	Siauras	Platus
22L	539038S	-
22R	539039S	-
23L	539040S	-
23R	539041S	-
24L	539042S	-
24R	539043S	-
25L	539044SN	539044SW
25R	539045SN	539045SW
26L	539046SN	539046SW
26R	539047SN	539047SW
27L	539048SN	539048SW
27R	539049SN	539049SW
28L	539050SN	539050SW
28R	539051SN	539051SW
29L	-	539052S
29R	-	539053S
30L	-	539054S
30R	-	539055S

Elementas	Dalies Nr.
Įstūmimo kojinė (22–26 dydžio)	531011
Įstūmimo kojinė (27–30 dydžio)	532811
DF / PF reguliavimo raktas, 4 A/F šešiabriaunis	940236
Apsauginis gaubtelis	534003
Sukimosi stabdymo varžtas	534005

Atsakomybė

Gamintojas rekomenduoja naudoti priemonę tik nurodytomis sąlygomis ir numatytais tikslais. Priemonę būtina prižiūrėti vadovaujantis kartu su ja pateikta naudojimo instrukcija. Gamintojas neatsako už jokiais neigiamas pasekmes, kurias sukėlė gamintojo nepatvirtinti komponentų deriniai.

CE atitiktis

Šis gaminys atitinka Europos reglamento (ES) 2017/745 dėl medicinos priemonių reikalavimus. Vadovaujantis klasifikavimo taisyklėmis, nurodytomis reglamento VIII priede, šis gaminys priskiriamas I klasės priemonėms. ES atitikties deklaraciją galima atsisiųsti šioje svetainėje: www.blatchford.co.uk



Medicinos priemonė



Vienas pacientas –
daugkartinis naudojimas

Suderinamumas

Derinimas su „Blatchford“ gaminiais patvirtintas remiantis bandymais, įskaitant konstrukcijos bandymą, atliktais pagal susijusius standartus ir Medicinos priemonių reglamentą (MPR), matmenų suderinamumu ir stebimomis eksploatacinėmis savybėmis.

Derinimas su alternatyviais CE ženklų pažymėtais gaminiais turi būti atliekamas atsižvelgiant į gydytojo atliktą dokumentuotą vietinį rizikos vertinimą.

Garantija

Priemonei suteikiama 36 mėnesių garantija, pėdos protezo apvalkalui – 12 mėnesių, įstūmimo kojinei – 3 mėnesių. Naudotojas turi žinoti, kad dėl pakeitimų ar modifikacijų, kurie nėra aiškiai patvirtinti, gali būti panaikinta garantija, naudojimo licencijos ir išimty. Dabartinį visą garantijos pareiškimą žr. „Blatchford“ svetainėje.

Pranešimas apie rimtus incidentus

Jei mažai tikėtina atveju įvyktų rimtas incidentas, susijęs su šia priemone, apie jį reikia pranešti gamintojui ir kompetentingai nacionalinei institucijai.

Su aplinkosauga susiję aspektai

Kai įmanoma, komponentus reikia atiduoti perdirbti pagal vietos atliekų tvarkymo reglamentus.

Pakuotės etiketės išsaugojimas

Išsaugokite pakuotės etiketę kaip pateiktos priemonės įrodymą.

Prekių ženklų patvirtinimo informacija

„Echelon“ ir „Blatchford“ yra „Blatchford Products Limited“ registruotieji prekių ženklai.

Registruotas gamintojo adresas

 Blatchford Products Limited, Lister Road, Basingstoke RG22 4AH, UK.

Sisukord	173
1 Kirjeldus ja kasutusotstarve.....	174
2 Ohutusteave.....	176
3 Konstruksioon	177
4 Talitlus	178
5 Hooldus.....	178
6 Kasutuspiirangud.....	179
7 Joondumuse eelseadistamine rakises	180
7.1 Staatiline joondumus	180
7.2 Bioonilise joondumuse seadistamine.....	181
7.3 Bioonilise joondumuse kohandamine	182
7.4 Dünaamika reguleerimine	183
8 Sobitamisinõuanded.....	184
9 Hooldusjuhised.....	186
9.1 Jalalabaümbrise eemaldamine.....	186
9.2 Kanna- ja varbavedru eemaldamine.....	186
9.3 Pülooni kest.....	188
10 Tehnilised andmed	189
11 Tellimisteave.....	190

1 Kirjeldus ja kasutusotstarve

Käesolev juhend on mõeldud proteesimeistrile.

Termin „seade“ viitab käesolevas kasutusjuhendis tootele EchelonVT.

Kasutamine

Seade on mõeldud kasutamiseks üksnes osana alajäsemeproteesist.

Ette nähtud kasutamiseks ühel patsiendil.

Seade võimaldab piiratud ulatuses iseseisvat proteesi joondumuse kohandamist vastavalt maastikule ja jalatsile. See on mõeldud parandama kehahoiakut ning sümmeetrilist, vähendades samas ebaühtlast survet hülsi juures. Seadmel on ka vedrulement, mis leevendab aksiaalseid ja tangentsiaalseid lööke, et vähendada survet kõndi/hülsi liitekohas.

Aktiivsusgrupp

Seade on soovitatav kasutajatele, kes võivad potentsiaalselt jõuda III aktiivsusgruppi ning kellele võib olla kasu suuremast stabiilsusest ja enesekindlusest ebatasastel pindadel. Aksiaalse vedru pakutav löögileevendus ja energiatagastus aitavad suurendada mugavust ja jõudlust.

Loomulikult on erandeid ja hoolimata meie soovitustest tuleb alati kaaluda iga konkreetse olukorra individuaalseid asjaolusid. Võib olla ka II ja IV aktiivsusgrupi* kasutajaid, kellele oleks abi seadme pakutavast suuremast stabiilsusest, kuid sellise otsuse taga peab olema selge ja ammendav põhjendus.

Aktiivsusgrupp 1

Patsient on suuteline või võimeline kasutama proteesi liikumiseks või kõndimiseks tasasel pinnal muutumatu kõnnikiirusega. Iseloomustab patsienti, kes suudab kõndida vaid lühikeste sammudega või aeglase kõnnikiirusega.

Aktiivsusgrupp 2

Patsient on suuteline või võimeline kõndima ning iseseisvalt ületama madalamaid igapäevasest keskkonnast tulenevaid takistusi (äärekivid, trepid või ebatasased pinnad). Iseloomustab patsienti, kes suudab kõndida lühiajaliselt kiirema tempoga.

Aktiivsusgrupp 3

Patsient on suuteline või võimeline kõndima muutuva kõnnikiirusega.

Iseloomustab patsienti, kes on suuteline kõndima ka kiire kõnnikiirusega, ületama enamikku igapäevasest keskkonnast tulenevatest takistustest ning võib tegeleda kutse-, teraapia- või treeningtegevustega, mis seavad proteesile lihtsalt liikumise abistamisest suuremad nõudmised.

Aktiivsusgrupp 4

Patsient on suuteline või võimeline kõndima proteesiga viisil, mis ületab elementaarseid kõndimisoskusi ning nõuab suuremat löögi- või pingetaluvust või energiataset. Iseloomustab lapse, aktiivse täiskasvanu või sportlase teeteelisi vajadusi.

(* Kasutaja kehakaal ei tohi ületada 100 kg ning alati tuleks kasutada kategooria võrra jäigemat vedrukomplekti, kui on toodud vedrukomplekti valimise tabelis.)

Vastunäidustused

Seade ei pruugi sobida I aktiivsusgrupi kasutajatele ega kasutamiseks võistlusspordis, sest sellistele kasutajatele on sobivam erikonstruktsiooniga protees, mis on optimeeritud konkreetse kasutaja vajadustele.

Veenduge, et kasutaja on kõik kasutusjuhised endale selgeks teinud, pöörates erilist tähelepanu jaotisele, mis puudutab hooldust.

Kliiniline kasu

- Suurem varba kaugus põrandast hooperihoodil vähendab komistamise ja kukkumise ohtu
- Parem tasakaal tänu iseseisvale joendumuse kohandamisele
- Parem vertikaalne vetruvus maapinnaga kontakteerumisel kallakutel liikumiseks
- Parem sammude sümmeetrilisus
- Väiksem koormus kõndile
- Väiksem dünaamiline koormus kõndile
- Vähem seljavalu keha pööramisel
- Suurem kõnnikiirus

Vedrukomplekti valimine

Aktiivsusgrupp 3

44-52	53-59	60-68	69-77	78-88	89-100	101-116	117-125 kg	Kasutaja kehakaal
1	2	3	4	5	6	7	8	Jalalaba vedrukomplekt
	●	●●		●●●		●●●●		Aksiaalse löögileevendi jäiku
1		2		3		4		

Märkus... Kui olete kahevahel, valige kõrgema intensiivsusega kategooria vedrukomplekt. Toodud jalalaba vedrukomplekti soovitusel kehtivad transtibiaalse süsteemi kasutajatele.

Transfemoraalse süsteemi kasutajatel soovitame valida kategooria võrra madalama vedrukomplekti. Rahuldava talitluse ja liikumisvabaduse tagamiseks vt jaotises 8 *Sobitamissoovitused*.

2 Ohutusteave



Selle hoiatussümboliga on esile tõstetud oluline ohutusteave, mida tuleb hoolikalt järgida.



Kui jäsemeproteesi omadused või talitlus muutuvad (nt piiratud või katkendlik liikumine või ebatavalised helid), tuleks sellest viivitamata teenusepakkujale teada anda.



Trepist alla kõndides hoidke kinni käsipuust (ja alati ka muudel juhtudel, kui see on olemas).



Seade ei sobi kasutamiseks ekstreemspordis, jooksu- ega jalgrattavõistlustel, jää- ja lumespordis, eriti järskudel kallakutel ega eriti järskudel treppidel. Mis tahes sellisteks tegevusteks kasutamine on kasutaja enda riisikol. Harrastuslik jalgrattasõit on lubatud.



Seadme kokkupaneku, hooldamise ja parandamisega seotud töid tohib teha ainult asjakohase kvalifikatsiooniga proteesimeister.



Kui kasutaja seisund muutub, peaks ta sellest viivitamatult proteesimeistrile teada andma.



Sõiduki juhtimisel peab sõidukile olema paigaldatud asjaomane invavarustus. Iga mootorsõiduki juht on kohustatud järgima talle kehtivat liiklusseadust.



Libastumise ja komistamise ohu minimeerimiseks tuleb alati kanda sobivat jalatsit, kuhu jalalabaümbris tihedalt sisse istub.



Kui pikemalt katkestusteta kasutada, võib hüppeliigese kere kuumeneda.



Vältige kokkupuudet eriti kõrge ja/või madala temperatuuriga.



Kasutaja ei tohi seadme seadistust ise reguleerida ega muuta.

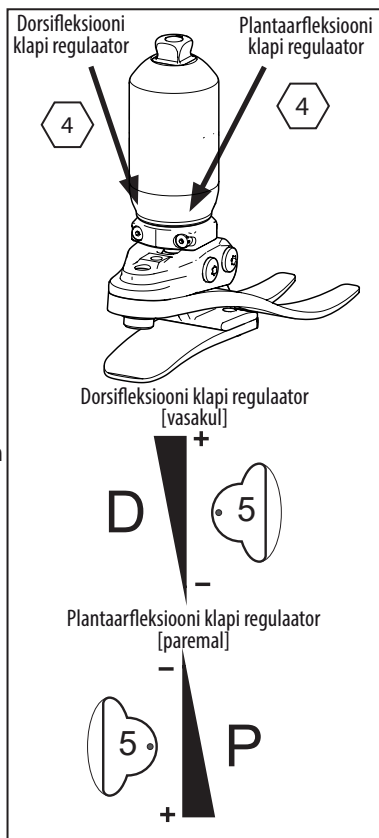
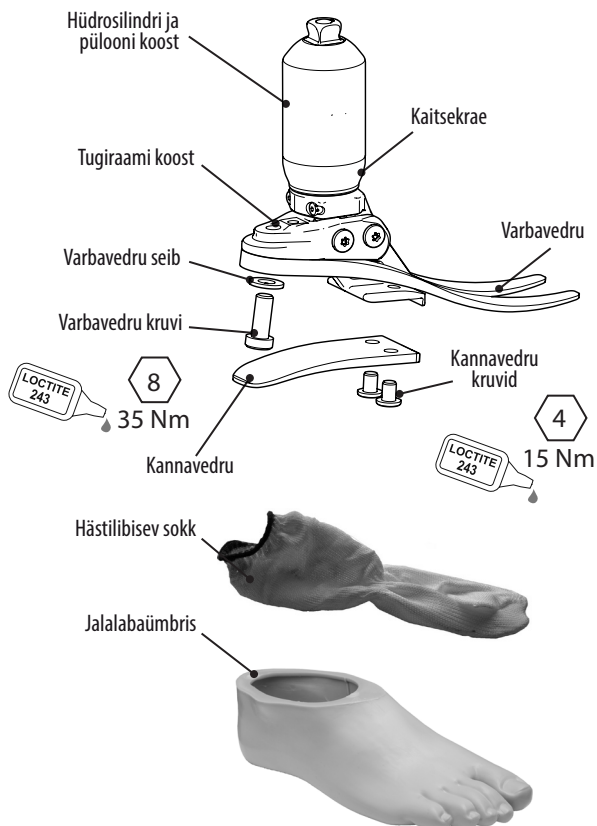


Olge alati teadlik sõrmede muljumise ohust.

3 Konstruktsioon

Peamised osad

- Hüdrosilindri ja pülooni koost (alumiinium / roostevaba teras / titaan)
- Tugiraami koost (alumiinium / roostevaba teras)
- Kanna- ja varbavedrud (e-Carbon)
- Vedru kinnituskruvid (roostevaba teras / titaan)
- Hästilibisev sokk (UHM PE)
- Jalalabaümbris (PU)



4 Talitlus

Seade sisaldab hüdrosilindri koostu, milles on reguleeritavad hüdroklapid. Klappe saab üksteisest sõltumatult reguleerida, et plantaar- ja dorsifleksiooni hüdraulilist vastujõudu suurendada ja vähendada.

Hüdrosilindri koostu proksimaalne osa sisaldab vedrut, mis võimaldab püramiidi toru piiratud kallutamist ja/või pöörlemist aksiaalse ja/või tangentsiaalse koormuse korral. Koormuse kadumisel liigub vedru tagasi algasendisse. Selle liikumise eesmärk on leevendada igasuguseid aksiaal- ja tangentsiaalsuunalisi lööke, mis võiksid vastasel juhul kanduda edasi kõndi/hülsi liitekohta.

Hüdrosilindri koost on ühendatud tugiraamiga kahe pöördetelje abil. Kanna- ja varbavedrud on kinnitatud tugiraami külge titaanist ja roostevasest terasest kruvidega. Jalalabale tõmmatakse sokk (UHM PE) ning seejärel sisestatakse see jalalabaümbrisse (PU).

5 Hooldus

Hooldustöid võib teha ainult pädev spetsialist.

Kord aastas on soovitatav teha järgmised hooldustoimingud.

- Kontrollige visuaalselt talitlust mõjutavate defektide suhtes.
- Puhastage ja määrige laagri kandepinda. Kasutage toodet Sapphire Endure (928015) või samaväärset PTFE-määret (vt *Hooldusjuhised* jaotises 9).
- Eemaldage jalalabaümbris ja hästilibisev sokk, kontrollige kahjustuste ja kulumise suhtes ning vajaduse korral vahetage.
- Kontrollige kõigi kruvide pingust, vajaduse korral puhastage ja pange uuesti kokku.
- Kontrollige kanna- ja varbavedrut visuaalselt delaminatsiooni või kulumise suhtes ning vajaduse korral vahetage. Pärast mõningast kasutamist võib tekkida pindmisi kahjustusi. Need ei mõjuta jalalaba talitlust ega tugevust.

Igasugustest seadme omaduste muutustest tuleb teatada proteesimeistrile. Sellised omaduste muutused võivad olla näiteks järgmised.

- Hüppeliigese jäikuse suurenemine
- Aksiaalse või tangentsiaalse jäikuse muutumine
- Hüppeliigese vastujõudude vähenemine (vaba liikumine)
- Vedrude pehmenemine
- Suurenenud laagrilõtk
- Igasugused ebatavalised helid

Kui kasutaja seisund muutub, peaks ta sellest viivitamatult proteesimeistrile teada andma.

Samuti tuleb proteesimeistrilt teavitada igasugustest kehakaalu ja/või aktiivsusgrupi muutustest.

Soovitage kasutajal jäsemeproteesi regulaarselt visuaalselt kontrollida ning teenusepakkujat teavitada, kui ta märkab kulumisjälgi, mis võivad mõjutada seadme talitlust (nt märkimisväärne kulumine või ülemäärane värvimuutus, mis on põhjustatud pikaajalisest kokkupuutest UV-kiirgusega).

Puhastamine

Kasutage välispindade puhastamiseks niisket lappi ja pehmetoimelist seepi. Ärge kasutage tugevatoimelisi puhastusvahendeid.

6 Kasutuspiirangud

Kavandatud kasutusiga

Koostada tuleks kohalik riskianalüüs, mis arvestab aktiivsust ja kasutamist.

Raskuste tõstmine

Kasutaja kehakaal ja aktiivsus peab jääma nimetatud piiridesse.

Kasutajale lubatud raskuste tõstmise piirid peaksid põhinema kohalikul riskianalüüsil.

Keskkond

Ärge laske seadmel puutuda kokku korrodeerivate ainetega (nt vesi, happed jm vedelikud). Vältige ka abrasiivseid (nt liiva sisaldavaid) keskkondi, sest need võivad põhjustada enneaegset kulumist.

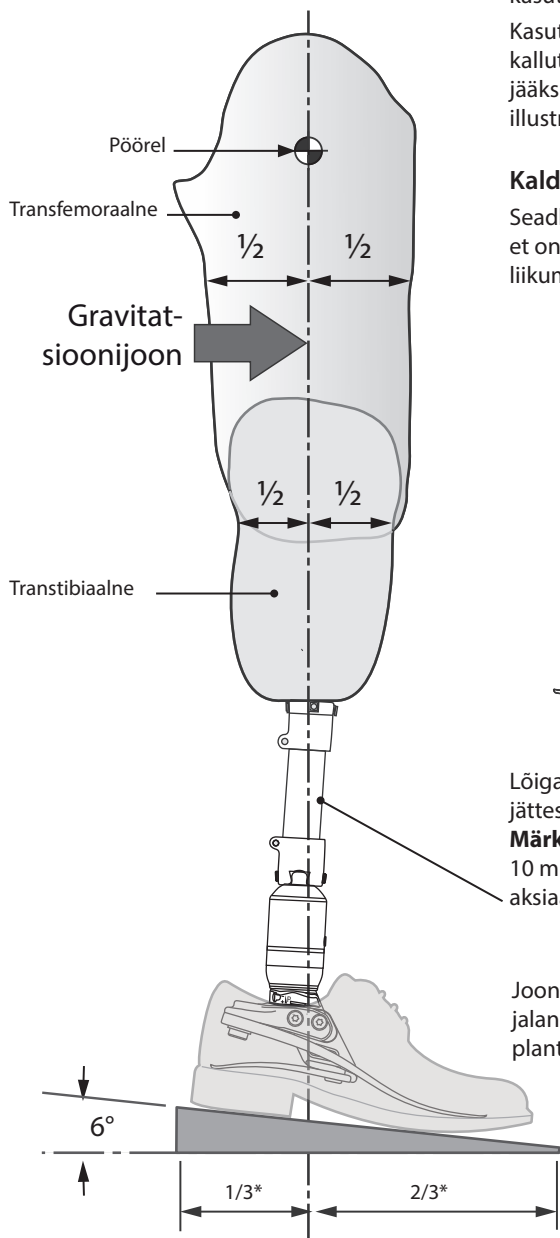
Mõeldud kasutamiseks ainult temperatuurivahemikus -15°C kuni 50°C .



Lubatud kasutada õues

7 Joondumuse eelseadistamine rakises

7.1 Staatiline joondumus

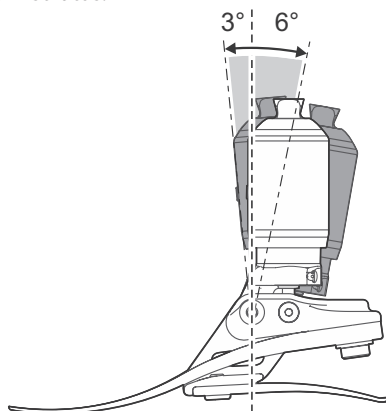


Seadistage transfemoraalsete seadmete joondumus kooskõlas põlve komplektis oleva kasutusjuhendiga.

Kasutage vajaduse korral nihutamise ja kallutamise seadiseid, et gravitatsioonijoon jääks pöördetelgede vahele, nagu näidatud illustatsioonis.

Kalde seadistus

Seadke alajäseme joondumus selliseks, et on saavutatud illustatsioonis toodud liikumisulatus.



Lõigake sääretoru ligikaudu õigesse pikkusse, jättes 10–15 mm lõplikuks lõikamiseks.

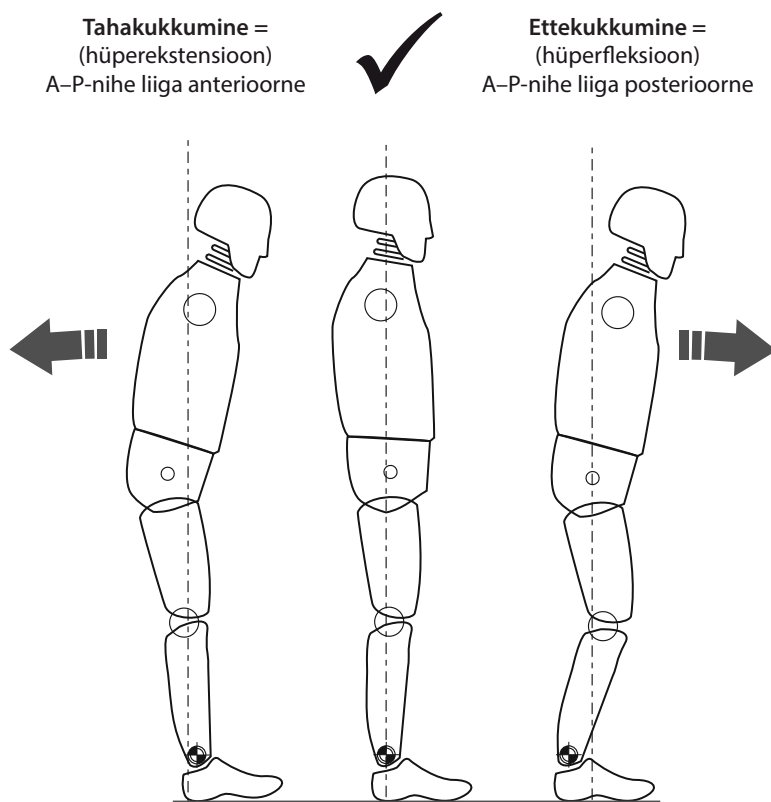
Märkus. Katsetuspikkus sisaldab tavaliselt 10 mm lisapikkust canna- ja varbavedru aksiaalseks kompressiooniks.

Joondumuse seadistamisel peab olema jalanõu jala otsa tõmmatud ja jalalaba plantaarfleksiooni lõppasendis.

*Ligikaudne suhe

7.2 Bioonilise joondumuse seadistamine

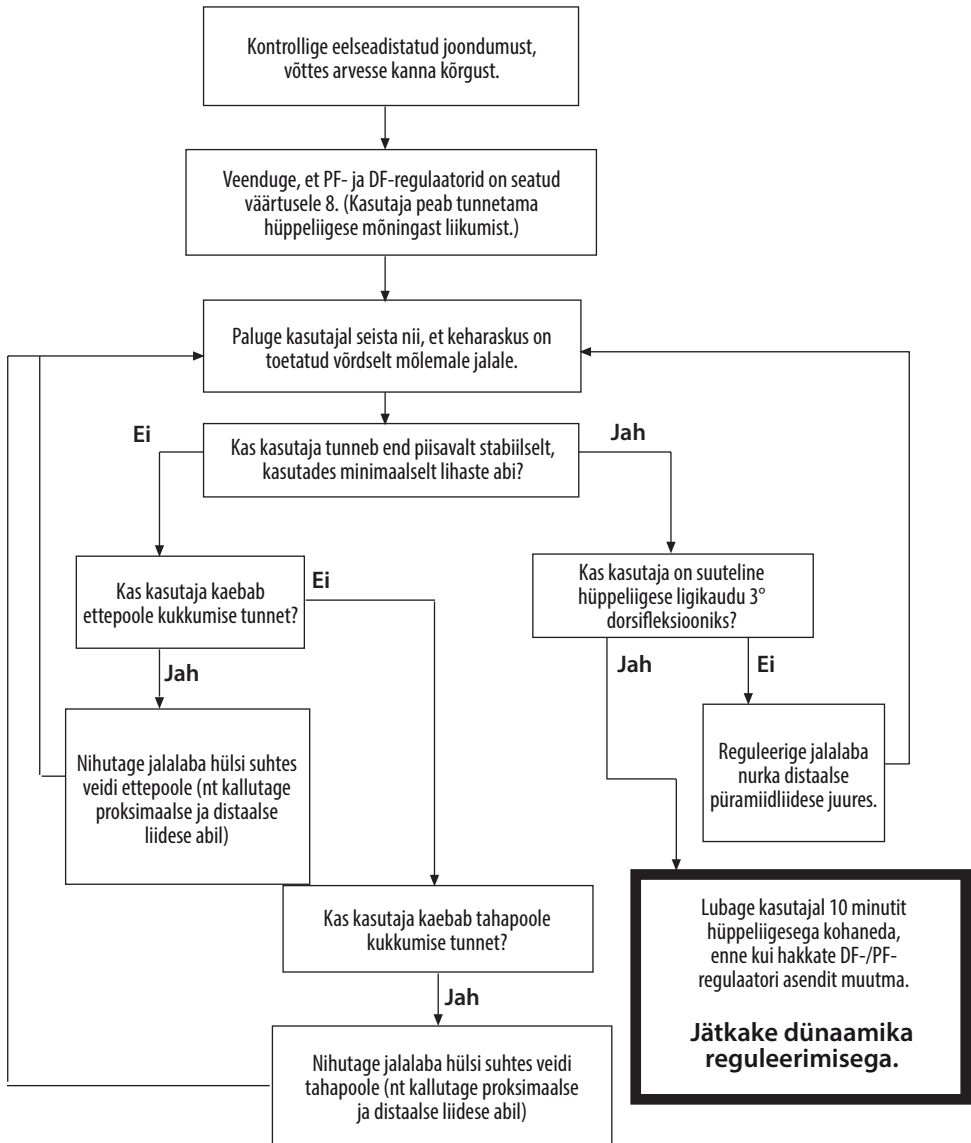
Joondumuse seadistamise eesmärk on saavutada tasakaalupunkt seismise ajal ja seadistada liikumisel tekkivate löökide hüdrauliline leevendamine. Löögileevenduse regulaatorid võimaldavad täpset kõnnietappide ülemineku / hüppeliigese-jalalaba jäikuse häälestust, et saavutada mugav kõnnak. Hüppeliigese pakutava suurema liikumisulatusetõttu võib kasutaja soovida teadvustamat kontrolli liikumise üle ja esialgu võib hüppeliiges tunduda talle häiriv. Kui joondumus on sobivaks seadistatud, peaks kasutaja edasi kiiresti harjuma.



Veenduge, et kasutaja seisab lõdvalt ja ei toetu dorsifleksiooni piirajale.

7.3 Bioonilise joondumuse kohandamine

Märkus... Seadistage staatiline joondumus, veendudes, et kasutaja saab sel ajal kuskilt kinni hoida (nt seisab rööbspuude vahel). See on ainult staatilise joondumuse seadistamine.



Kasutage komponentide nihutamist staatilise joondumuse seadistamiseks ja kehaasendi kohandamiseks.

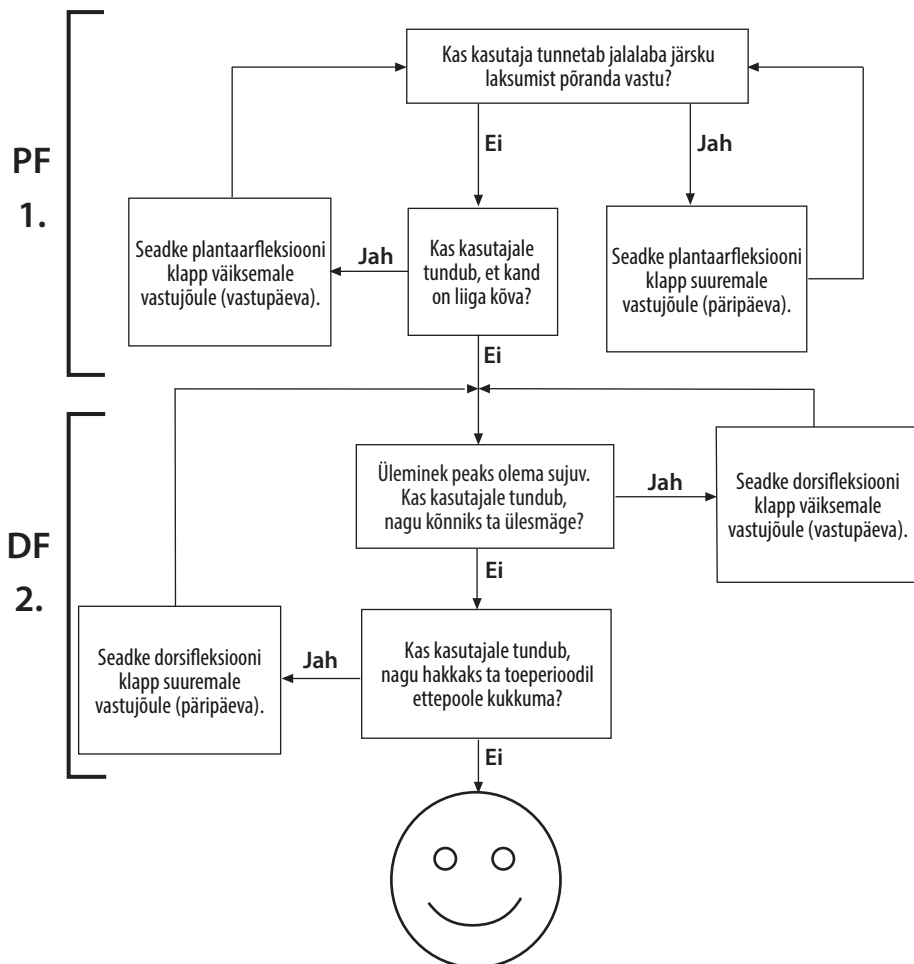
Seade peaks soodustama mõningast iseseisvat joondumuse kohandamist, et anda kasutajale seismise ajal tasakaalutunnetus.

7.4 Dünaamika reguleerimine

Hüdroklappide reguleerimine

Kasutaja peaks tunnetama hüppeliigese liikumist koos kehaga läbi kogu kõnnitsükli.

Kasutaja ei peaks pingutama hüppeliigese hüdraulilise vastujõu alistamiseks.



Nõuanne

Dünaamika reguleerimise järel katsetage hüppeliigese-jalalaba proteesi kaldteedel ja treppidel. Veenduge, et kasutaja tunneb end mugavalt seda tüüpi pindadel, kuhu võib tavalukorras sattuda. Kui kasutajal on kaebusi seoses hüppeliigese mugavuse, kasutatavuse või liikumisulatusega, reguleerige vastavalt.

8 Sobitamisinõuanded

Õige joendumus (A–P-asend), liikumisvahemik (plantaar- ja dorsifleksiooni jaotus) ning hüdro süsteemi seadistus on kõnnietappide sujuva ülemineku ja kallakutega kohanemise seisukohast kriitilise tähtsusega (vt jaotist 7.3 *Biooniilise joendumuse kohandamine*).

Seadme aksiaalvedru on loodud töötama koos kannal- ja varbavedruga, et pakkuda enamikule kasutajatest sujuvat kõnnietappide üleminekut. Aksiaalvedru juhib nii kompressiooni kui ka torsiooni vastujõudu ning tüüpiline aksiaallikumine peaks olema 3–6 mm tavakiirusega kõndimisel.

Seadmel saab valida nelja eri jäikusega aksiaalse vedru vahel (üksikasju vt jaotisest 1).

Laske kasutajal mõnda aega esialgse seadistusega harjuda.

Kui seadme talitlusega on probleeme ka pärast järgmiste juhiste läbitöötamist, küsige abi kohalikult müügiesindajalt.

Kõik järgmine mõjub negatiivselt talitlusele ja stabiilsusele.

- Vale kategooria vedru
- Sobimatu A–P-nihe
- Plantaar- ja dorsifleksiooni vale jaotus

	<i>Sümptomid</i>	<i>Lahendus</i>
1.	<ul style="list-style-type: none">• Vajumine kannalöögi ajal• Raskus sujuva ülemineku saavutamisel vertikaalimomenti.• Kasutajale tundub, nagu kõnniks ta ülesmäge või, et varbaosa on liiga pikk.	<ul style="list-style-type: none">• Suurendage plantaarfleksiooni vastujõudu.• Kontrollige A–P-nihke joendumust; veenduge, et jalalaba ei ole seatud liiga anteriorsele.• Kontrollige plantaar- ja dorsifleksiooni jaotust ning veenduge, et plantaarfleksiooni ulatus ei ole liiga suur.• Veenduge, et vedru kategooria ei ole liiga pehme. Sel juhul paigaldage jäigem vedru.
2.	<ul style="list-style-type: none">• Üleminek kannalöögist vertikaalimomenti on liiga kiire.• Raskus kannalöögi ajal jalalabast tagastatava energia kontrollimisel (vähenenud põlve stabiilsus)• Kand tundub kasutajale liiga kõva, varbaosa liiga lühike.	<ul style="list-style-type: none">• Vähendage plantaarfleksiooni vastujõudu.• Kontrollige A–P-nihke joendumust; veenduge, et jalalaba ei ole seatud liiga posterioorsele.• Kontrollige plantaar- ja dorsifleksiooni jaotust ning veenduge, et plantaarfleksiooni ulatus on piisavalt suur.• Kontrollige ega valitud vedru kategooria ei ole patsiendi kehakaalu ja aktiivsuse jaoks liiga jäik. Sel juhul paigaldage pehmem vedru.

	<i>Sümptomid</i>	<i>Lahendus</i>
3.	<p>Kannalööök ja üleminek tunduvad õiged, kuid</p> <ul style="list-style-type: none"> • varvaosa tundub liiga pehme või • varvaosa tundub liiga lühike. • Kasutajale tundub, nagu kõnniks ta <i>allamäge</i> või, et põlv on ebastabiilsem. • Energiatagastus puudub. 	<ul style="list-style-type: none"> • Suurendage dorsifleksiooni vastujõudu. • Kontrollige A–P-nihke joondumust; veenduge, et jalalaba ei ole seatud liiga posterioorselt. • Kontrollige plantaar- ja dorsifleksiooni jaotust ning veenduge, et dorsifleksiooni ulatus ei ole liiga suur. • Kontrollige, ega valitud vedru kategooria ei ole patsiendi kehakaalu ja aktiivsuse jaoks liiga pehme. Sel juhul paigaldage jäigem vedru.
4.	<p>Kannalööök ja üleminek tunduvad õiged, kuid</p> <ul style="list-style-type: none"> • Varvaosa tundub liiga jäik. • Varvaosa tundub liiga pikk. • Ülesmäge kõndimise tunne 	<ul style="list-style-type: none"> • Vähendage dorsifleksiooni vastujõudu. • Kontrollige A–P-nihke joondumust; veenduge, et jalalaba ei ole seatud liiga anterioorselt. • Kontrollige plantaar- ja dorsifleksiooni jaotust ning veenduge, et dorsifleksiooni ulatus on piisavalt suur. • Kontrollige, ega valitud vedru kategooria ei ole patsiendi kehakaalu ja aktiivsuse jaoks liiga jäik. Sel juhul paigaldage pehmem vedru.

9 Hooldusjuhised

⚠ Olge alati teadlik sõrmede muljumise ohust.

⚠ Kasutage alati sobivaid töövõrkoju ja tööohutuse vahendeid (sh äratõmbesüsteeme).

9.1 Jalalabaümbrise eemaldamine

1 Sisestage kingalusikas kannavedru taha.

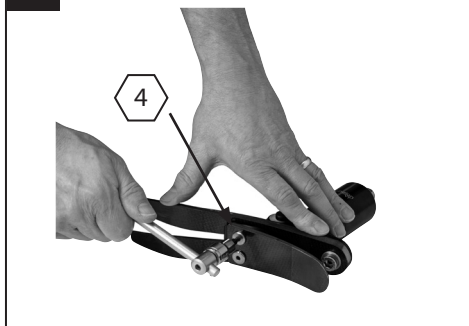


2 Pöörake kingalusikat, nagu näidatud illustatsioonil, et ümbris eemaldada.

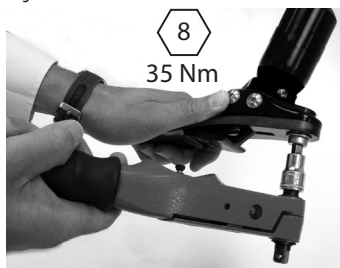


9.2 Kanna- ja varbavedru eemaldamine

3 Eemaldage kannavedru ja kruvid.



4 Eemaldage varbavedru kruvi, vahetage varbaosa. Paigaldamisel kasutage keermeliimi Loctite 243 (926012) ja pingutage momendiga 35 Nm. Veenduge, et varbavedru on tugiraami suhtes tsentreeritud.



5 Paigaldage uus kannavedru. Kasutage keermeliimi Loctite 243 (926012) ja pingutage momendiga 15 Nm.



6 Kasutage musta püsimerkit, et segmendid mustaks värvida selliselt, et nähtavale jääb vedrukomplekti number.



7

Kui paigaldatakse kosmeetiline vahtümbris, tehke jalalabaümbrise ülaosa karedaks, et vahtümbris paremini selle külge nakkuks.

**8**

Vajaduse korral määrige varba- ja kannavedrut. (Jalalabaümbris on eelmääritud.)

**9**

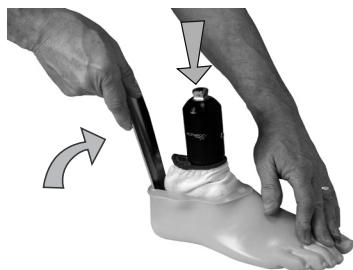
Varbavedru asukoht jalalabaümbrises.

10

Kasutage sobivat kingalusikat, et kannavedru jalalabaümbrises oma soonde sättida.

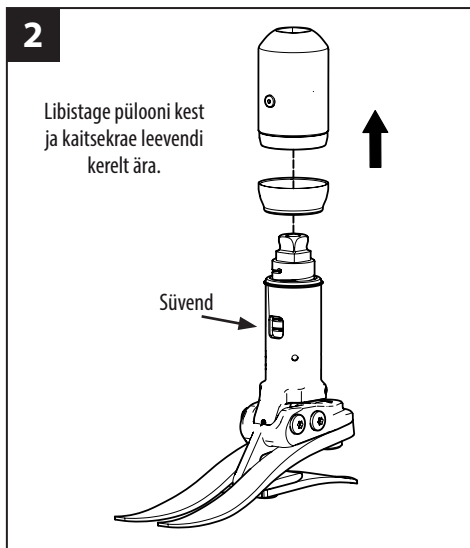
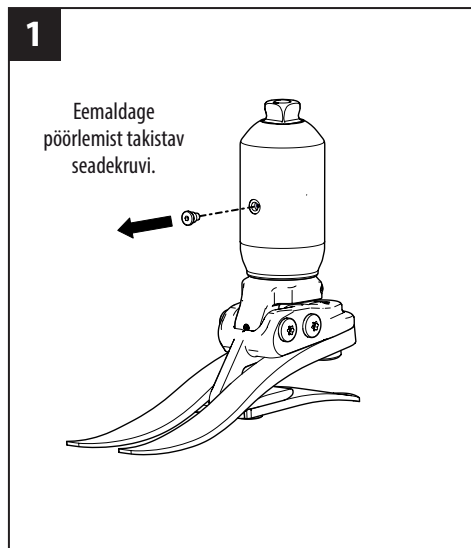
**11**

Veenduge, et kannavedru on soones.



Kosmeetiliste ümbrioste soetamiseks võtke ühendust Blatchfordi kohaliku müügiesindajaga.

9.3 Pülooni kest



Puhastage ja määrige laagri kandepinda.

Kasutage toodet Sapphire Endure (928015) või samaväärset PTFE-määret.

9.3.1 Tagasi monteerimine

Veenduge, et pöörlemist takistav seadekrugi on joondatud püloonis oleva süvendiga, kandke keermele keermeliimi Loctite 243 ja keerake kinni.

Vahetuskaitsekrae tootekood 534003

10 Tehnilised andmed

Kasutamise- ja hoiustamistemperatuur: -15°C kuni 50°C .

Komponendi mass (suurus 26N): 1,05 kg

Soovitav aktiivsusgrupp: 3

Kasutaja max kehakaal: 125 kg

Suurused: 22 kuni 30 cm

Proksimaalne joondumust kohandada võimaldav kinnitus: Pistikpüramiid (Blatchford) $\pm 7^{\circ}$

Hüppeliigese liikumisulatus: 6° plantaarfleksioon kuni 3° dorsifleksioon

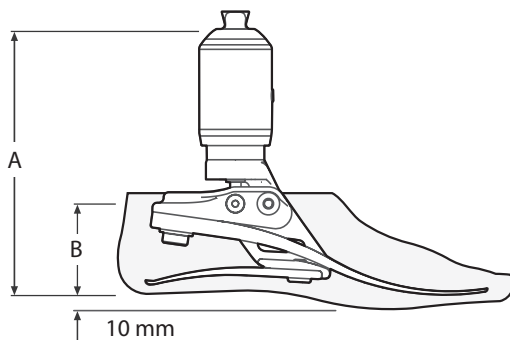
Pöörlemisulatus: $\pm 15^{\circ}$

Tüüpiline aksiaalliikumine: 3–6 mm (max 10 mm)

Konstruktiooni kõrgus:*
22–24 cm 168 mm
25–26 cm 173 mm
27–30 cm 178 mm

Kanna kõrgus: 10 mm

Sobituspikkus



Suurus	A
22–24	168 mm
25–26	173 mm
27–30	178 mm

Suurus	B
22–26	65 mm
27–28	70 mm
29–30	75 mm

11 Tellimisteave

Näidistellimus

ECVT	25	L	N	3	2	S
	Suurus	Kehapool	Laius*	Vedrukomplekti	Aksiaalvedru	Sandaalile
		(vasak – L / (kitsas – N / parem – R)	lai – W)	kategooria		sobiv varbaosa

* Ainult suurused 25–28. Kõigi ülejäänud suuruste puhul jätke laiuse väli tühjaks.

nt ECVT25LN12S, ECVT22R34S, ECVT27RW33SD

Saadaval suurused

22 kuni 30:

ECVT22L11S

kuni ECVT30R84S

ECVT22L11SD

kuni ECVT30R84SD

(lisage „D“ tumedas toonis jalalabaümbriseks)

Vedrukomplektid				
Jäikus	Jalalaba suurused			
	Väike (S)	Keskmine (M)	Suur (L)	Eriti suur (XL)
	22–24	25–26	27–28	29–30
Komplekt 1	539801S	539810S	539819S	539828S
Komplekt 2	539802S	539811S	539820S	539829S
Komplekt 3	539803S	539812S	539821S	539830S
Komplekt 4	539804S	539813S	539822S	539831S
Komplekt 5	539805S	539814S	539823S	539832S
Komplekt 6	539806S	539815S	539824S	539833S
Komplekt 7	539807S	539816S	539825S	539834S
Komplekt 8	539808S	539817S	539826S	539835S

Jalalabaümbris (tumedaks tooniks lisage „D“)		
Suurus/ kehapool	Kitsas	Lai
22L	539038S	-
22R	539039S	-
23L	539040S	-
23R	539041S	-
24L	539042S	-
24R	539043S	-
25L	539044SN	539044SW
25R	539045SN	539045SW
26L	539046SN	539046SW
26R	539047SN	539047SW
27L	539048SN	539048SW
27R	539049SN	539049SW
28L	539050SN	539050SW
28R	539051SN	539051SW
29L	-	539052S
29R	-	539053S
30L	-	539054S
30R	-	539055S

Artikkel	Tootekood
Hästilibisev sokk (suurused 22–26)	531011
Hästilibisev sokk (suurused 27–30)	532811
DF-/PF-regulaatori võti, 4 A/F kuuskantvõti	940236
Kaitsekrae	534003
Pöörlemist takistav seadekrui	534005

Vastutus

Tootja soovib kasutada seadet üksnes nimetatud tingimustes ja kasutusotstarbel. Seadet tuleb hooldada kooskõlas seadme komplektis oleva kasutusjuhendiga. Tootja ei vastuta mingisuguste kõrvaltoimete eest, mis on põhjustatud komponentide kombinatsioonist, mida tootja pole heaks kiitnud.

CE-vastavus

Toode on kooskõlas Euroopa meditsiiniseadmete määruse EL 2017/745 nõuetega. Toode on liigitatud I klassi seadmeks vastavalt määruse VIII lisas toodud liigitamisreeglitele. Euroopa Liidu vastavusdeklaratsiooni saate alla laadida järgmiselt aadressilt: www.blatchford.co.uk



Meditsiiniseade



Üks patsient – mitu kasutuskorda

Ühilduvus

Kasutamine koos Blatchfordi toodetega on heaks kiidetud, tuginedes kooskõlas asjaomaste standardite ja meditsiiniseadmete direktiiviga tehtud katsetele (sh konstruktsioonikatse, mõõtmete ühilduvus ja toimivuse jälgimine praktikas).

Kasutamine koos mõne teise CE-märgisega tootega nõuab eelnevat dokumenteeritud kohalikku riskianalüüsi proteesimeistri poolt.

Garantii

Seadmel on 36-kuuline, jalalabaümbrisel 12-kuuline ja hästilibiseval sokil 3-kuuline garantii. Kasutaja peab olema teadlik sellest, et muudatused või täiendused, milleks pole saadud selgesõnalist luba, võivad garantii, kasutusload ja vabastused kehtetuks muuta. Kõiki kehtivaid garantiitingimusi vt Blatchfordi veebisaidilt.

Ohujuhtumitest teatamine

Seadmega seotud ohujuhtumitest, mis on äärmiselt ebatõenäolised, tuleks teavitada tootjat ja oma riigi pädevat asutust.

Keskkonnaaspektid

Kui võimalik, tuleks komponendid kooskõlas kohalike jäätmekäitluseeskirjadega ringlusse võtta.

Pakendi etiketi säilitamine

Teil soovitatakse pakendi etikett alles hoida ning seda säilitada selle seadme tarnimise dokumendina.

Kaubamärgid

Echelon ja Blatchford on ettevõtte Blatchford Products Limited registreeritud kaubamärgid.

Tootja registriaadress

 Blatchford Products Limited, Lister Road, Basingstoke RG22 4AH, Ühendkuningriik.

blatchford.co.uk/distributors

Blatchford Products Ltd.

Unit D Antura
Kingsland Business Park
Basingstoke
RG24 8PZ
UNITED KINGDOM
Tel: +44 (0) 1256 316600
Fax: +44 (0) 1256 316710
Email: customer.service@blatchford.co.uk
www.blatchford.co.uk

Blatchford Inc.

1031 Byers Road
Miamisburg
Ohio 45342
USA
Tel: +1 (0) 800 548 3534
Fax: +1 (0) 800 929 3636
Email: info@blatchfordus.com
www.blatchfordus.com

Blatchford Europe GmbH

Am Prime-Parc 4
65479 Raunheim
GERMANY
Tel: +49 (0) 9221/87808-0
Fax: +49 (0) 9221/87808-60
Email: info@blatchford.de
www.blatchford.de

Email: contact@blatchford.fr
www.blatchford.fr

Endolite India Ltd.

A4 Naraina Industrial Area
Phase - 1
New Delhi
INDIA – 110028
Tel: +91 (011) 45689955
Fax: +91 (011) 25891543
Email: endolite@vsnl.com
www.endoliteindia.com

Ortopro AS

Hardangervegen 72
Seksjon 17
5224 Nesttun
NORWAY
Tel: +47 (0) 55 91 88 60
Email: post@ortopro.no
www.ortopro.no



Blatchford Europe GmbH
Am Prime-Parc 4
65479 Raunheim Germany

