

# BMK2 Knee

## Instructions for Use

BMK2

EN	Instructions for Use	2
DA	Brugsanvisning	20
NO	Bruksanvisning	38
FI	Käyttöohjeet	56
SV	Bruksanvisning	74
RU	Инструкция протезиста	92
ZH	使用说明	110

# Contents



Contents .....	2
1 Description and Intended Purpose .....	3
2 Safety Information .....	4
3 Construction .....	5
4 Function.....	5
5 Maintenance .....	6
6 Limitations on Use .....	7
7 Bench Alignment.....	8
8 Alignment Advice and Stability Adjustment.....	9
9 Dynamic Alignment .....	10
10 Maintenance of Stabilizing Mechanism.....	11
11 Maintenance of Extension Buffer .....	15
12 Troubleshooting .....	16
13 Technical Data .....	16
14 Ordering Information .....	17
14.1 Spare Parts.....	17

---

# 1 Description and Intended Purpose

These instructions are for the clinician/practitioner.

The term *device* is used throughout these instructions for use to refer to BMK2 knee.

Ensure that the user understands all instructions for use, drawing particular attention to the maintenance and safety information.

Users must be given gait training before using this device.

## Application

This device is to be used exclusively as part of a lower limb prosthesis.

The device is a compact weight activated knee with an adjustable spring extension bias.

This device is intended for a single user.

## Features

- Weight activated adjustable stance control
- Adjustable extension bias control incorporating terminal impact damping
- Maximum flexion angle 130°

## Activity Level

This device is for Activity Level 1 and 2 users only. For maximum user weight see Section 13 *Technical Data*.

### Activity Level 1

Has the ability or potential to use a prosthesis for transfers or ambulation on level surfaces at fixed cadence. Typical of the limited and unlimited household ambulator.

### Activity Level 2

Has the ability or potential for ambulation with the ability to traverse low-level environmental barriers such as curbs, stairs, or uneven surfaces. Typical of the limited community ambulator.

### Activity Level 3

Has the ability or potential for ambulation with variable cadence. Typical of the community ambulator who has the ability to traverse most environmental barriers and may have vocational, therapeutic, or exercise activity that demands prosthetic utilization beyond simple locomotion.

### Activity Level 4

Has the ability or potential for prosthetic ambulation that exceeds basic ambulation skills, exhibiting high impact, stress, or energy levels. Typical of the prosthetic demands of the child, active adult, or athlete.

## Contraindications

This device is not suitable for users with:

- Extreme muscular weakness, contractures that cannot be correctly accommodated, or proprioceptive dysfunction including poor balance.
- Contralateral joint instabilities or pathology.
- Complicated conditions involving multiple disabilities.
- Users, including bilateral transfemoral amputees, who require a yielding function from the knee to descend stairs or to sit. This can result in damage of the brake mechanism that can adversely affect stability and durability.

## Clinical Benefits

- Stabilizing knee activates smoothly on weight bearing to give security when standing and when traversing uneven ground. It then releases cleanly at toe off.
- Resilient action of stabilizing mechanism gives limited stance flexion which reduces shock at heel strike.

---

## 2 Safety Information



**This warning symbol highlights important safety information which must be followed carefully.**



Any changes in the performance or function of the knee e.g. restricted movement, non-smooth motion or unusual noises should be immediately reported to your service provider. During the terminal swing immediately before heel strike, some impact noise may be heard due to the extension assist as the limb reaches full extension.



Always use a hand rail when descending stairs and at any other time if available. Avoid exposure to extreme heat and/or cold.



The device is not intended to be used in water or as a shower prosthesis. If the knee comes into contact with water wipe dry immediately.



The device is not suitable for extreme sports, running or cycle racing, ice and snow sports, extreme slopes and steps. Any such activities undertaken are done so completely at the users' own risk.



Assembly, maintenance and repair of the device must only be carried out by a suitably qualified clinician.



When servicing the device make sure there is no grease in the brake drum.



Ensure only suitably retrofitted vehicles are used when driving. All persons are required to observe their respective driving laws when operating motor vehicles.



The user must not adjust or tamper with the setup of the device.



The user should be advised to contact their clinician if their condition changes.



Be aware of finger trap hazard at all times.



Any excessive changes in heel height after finalization of alignment may adversely affect limb function.



---

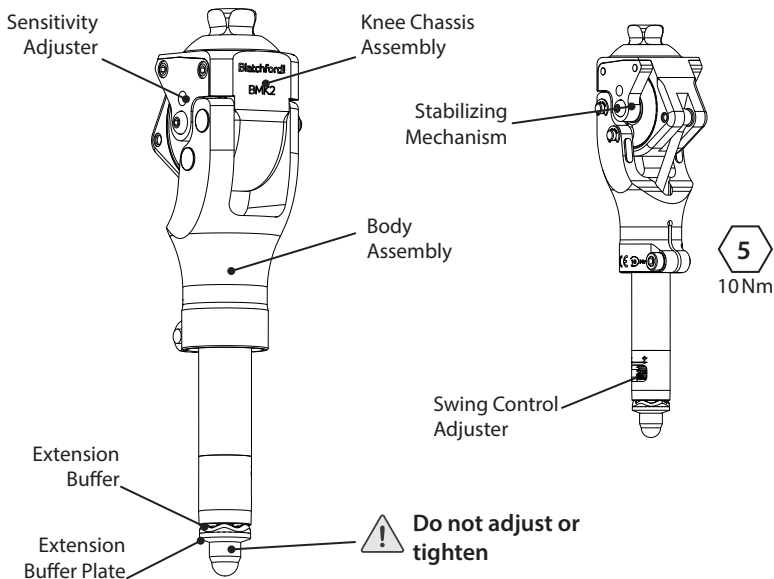
## 3 Construction

### Principal Parts

- Body Assembly (aluminum, stainless steel, polyurethane, felt)
- Knee Chassis Assembly (aluminum, stainless steel)
- Stabilizing Mechanism (aluminum, bronze, acetal homopolymer, polyurethane, synthetic rubber)

Note... The friction material in the stabilizing mechanism contains no asbestos.

### Component Identification



---

## 4 Function

The knee is weight activated and the sensitivity can be customized to suit the stability requirements of the user.

Swing control is adjustable by altering the compression on a coil spring controlling heel rise and extension bias.

The device provides stance flexion during brake activation as a result of the resilience of the brake band mechanism.

---

## 5 Maintenance

Maintenance must be carried out by competent personnel.

It is recommended that the following maintenance is carried out annually:

- Check all non-adjuster screws for tightness (see Construction section) (DO NOT tighten the covered nut at the distal end).
- Clean the brake pad and replace the extension stops (see Section 10 *Maintenance of Stabilizing Mechanism* for procedure).
- In the event of unusual noises such as squeaks and creaks and/or reduced stability, carry out maintenance of the stabilizing mechanism, see Section 10 *Maintenance of Stabilizing Mechanism*. If noises persist contact your Blatchford representative.
- Wear and tear on the extension buffer is acceptable. If excessive noise is present at full extension replace the extension buffer. See Section 11 *Maintenance of Extension Buffer*.
- Check for excessive Medio-Lateral play of the chassis.
- If the trailing edge of the brake band pad is worn down to the plastic of the brake band, replace the complete brake band. (Note: Individual pads cannot be replaced.)
- Ensure orientation of brakeband is correct on reassembly. Always check stability before using.

The user must be handed the User Guide supplied, and be advised to report the following to the practitioner:

- Any changes in body weight or activity level
- Any changes in performance of this device

Changes in performance may include:

- Restricted swing
- Changes in smoothness of swing
- Reduced stability during stance
- Any unusual noise

### Cleaning

Use a damp cloth and mild soap to clean outside surfaces, DO NOT use aggressive cleansers. Thoroughly dry before use.

---

## 6 Limitations on Use

### Intended Life

Service life of the product is covered by the warranty period - a local risk assessment should be carried out based upon activity and usage.

### Lifting Loads

User weight and activity is governed by the stated limits.

Load carrying by the user should be based on a local risk assessment.

Note... The device is weight activated and carrying loads may cause the stance support to engage more readily.

### Environment

Avoid exposing the device to corrosive elements such as water, acids and other liquids. Also avoid abrasive environments such as those containing sand for example as these may promote premature wear.

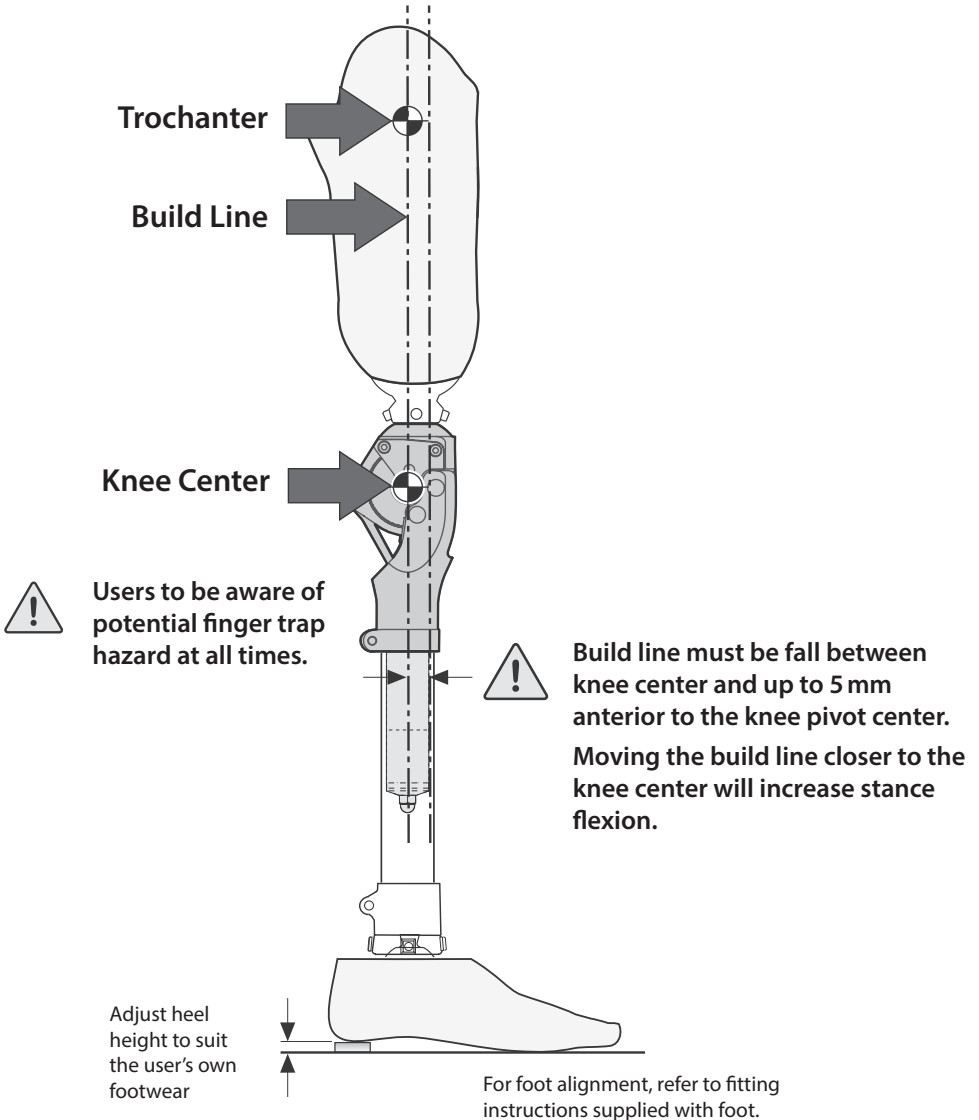


Suitable for outdoor use

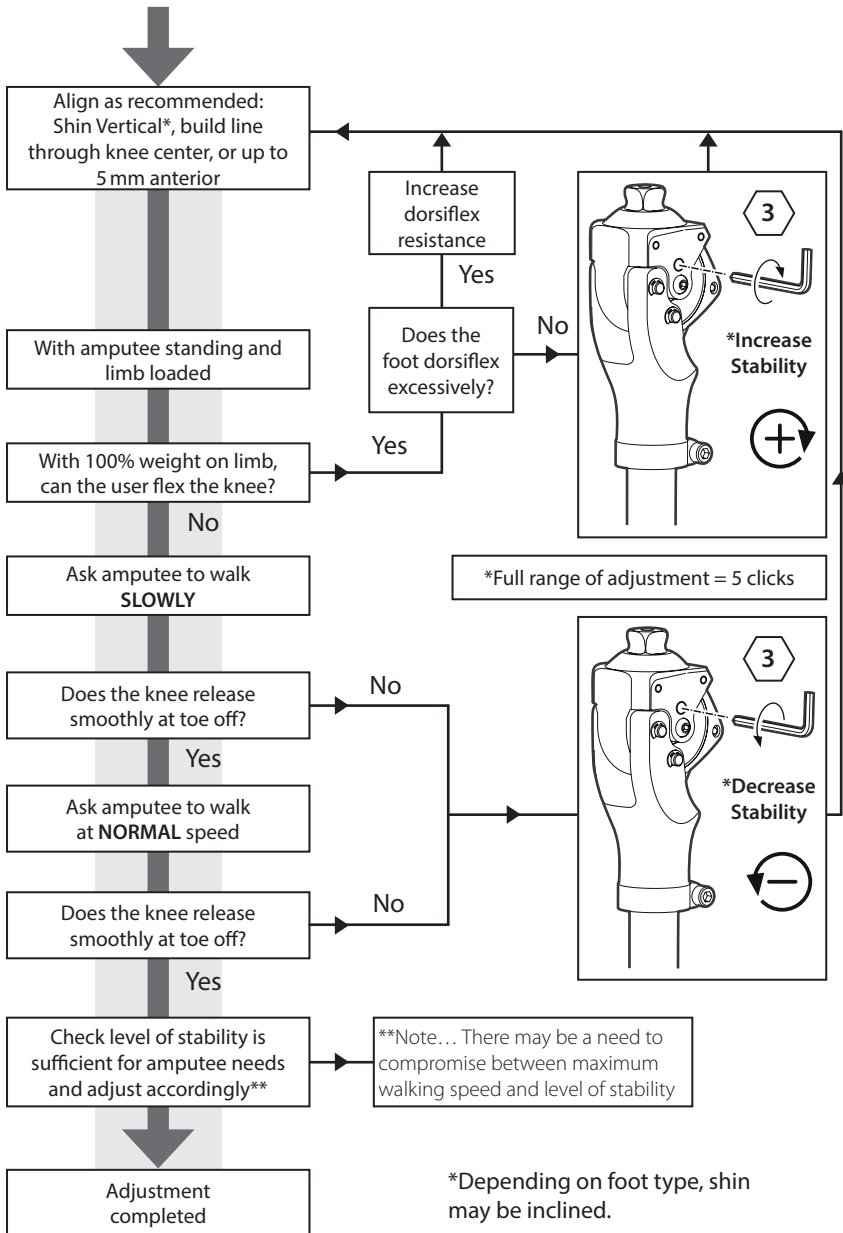
Exclusively for use between -15 °C and 50 °C  
(5 °F and 122 °F).

## 7 Bench Alignment

When aligning the prosthesis for use with the device, position of the build line is critical. The knee should be aligned so that it is geometrically stable. With flexion fully accommodated in the socket, the build line should pass through the trochanter and knee center, or in a line parallel to this, up to 5 mm anterior of the knee center.



# 8 Alignment Advice and Stability Adjustment

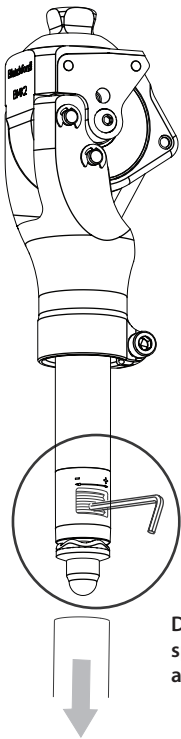


# 9 Dynamic Alignment

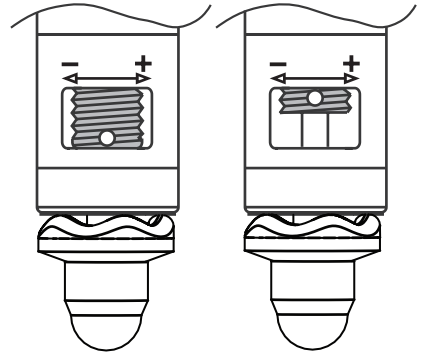
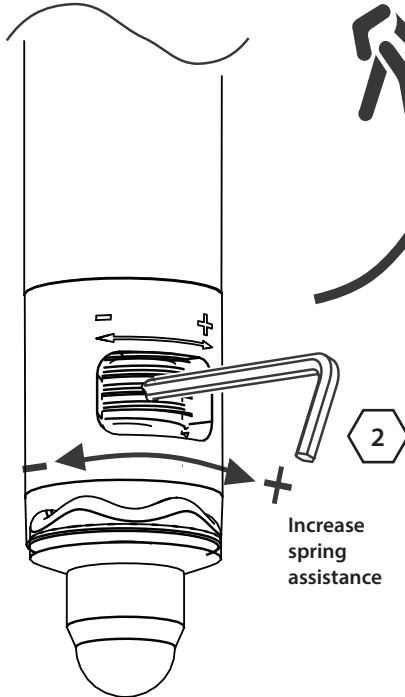
## Swing Control Adjustment (Extension Bias)

Note... If operated by hand, the engagement of the terminal impact damping may be felt immediately before full extension; this is normal.

Situation	Solution
Heel rise too high during swing or device does not fully extend during swing.	Increase spring assistance
Heel rise too low during swing or user experiences terminal impact.	Decrease spring assistance





Decrease  
spring  
assistance

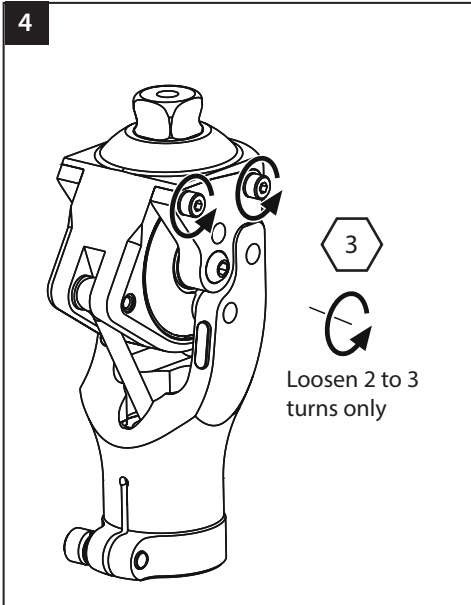
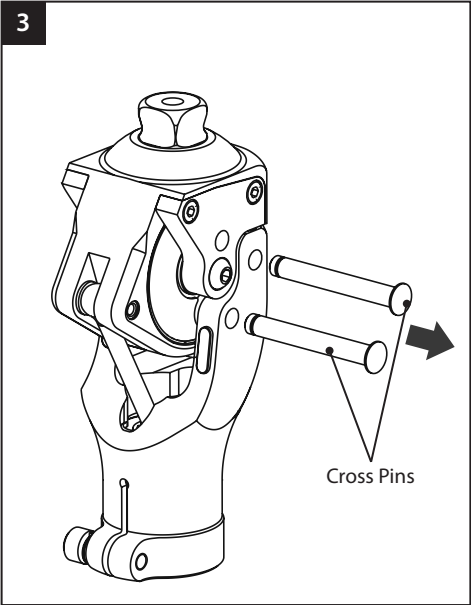
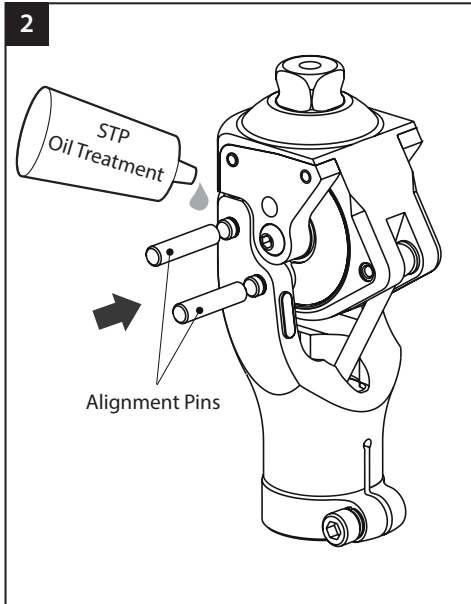
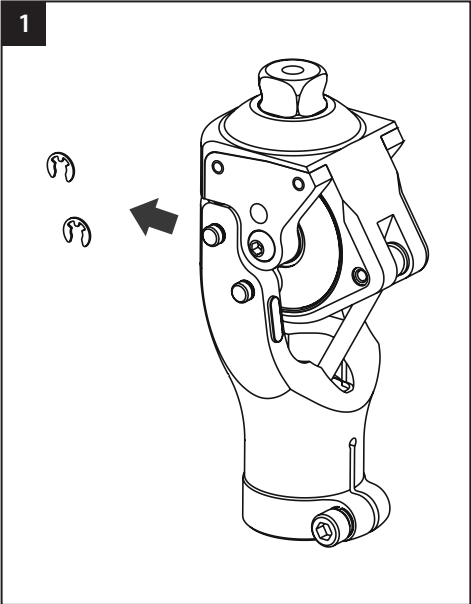


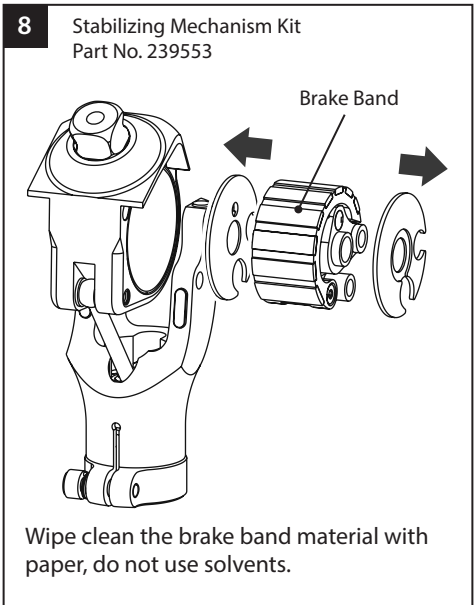
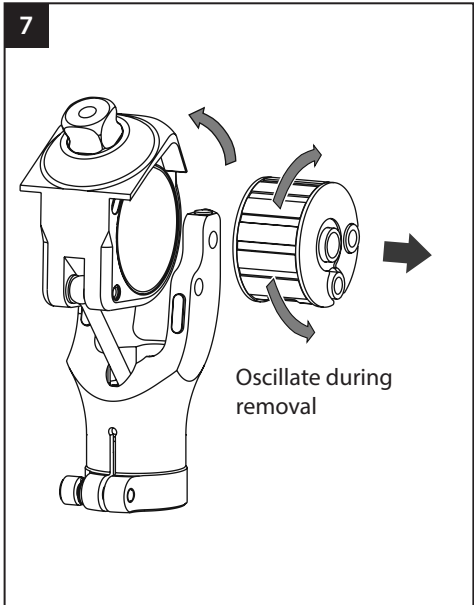
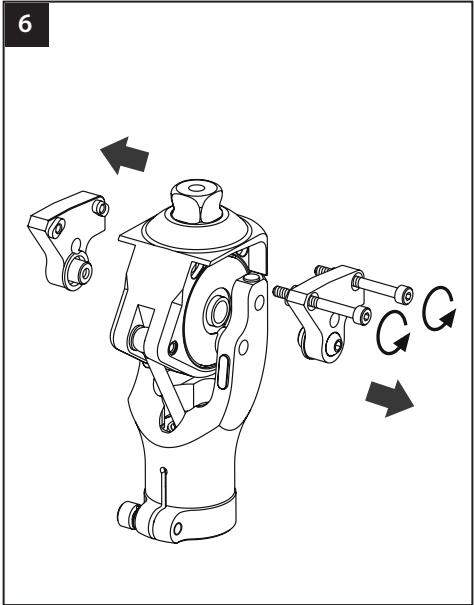
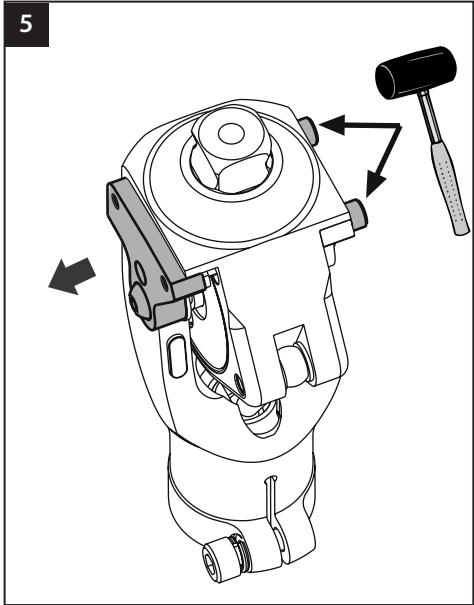
Increase  
spring  
assistance

# 10 Maintenance of Stabilizing Mechanism

 Use appropriate health and safety equipment at all times including extraction facilities.

 Be aware of finger trap hazard at all times.

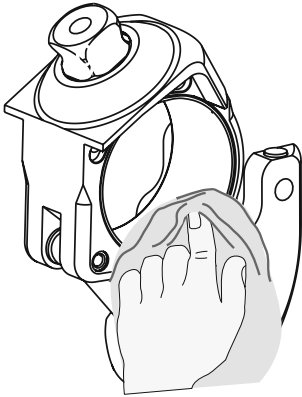






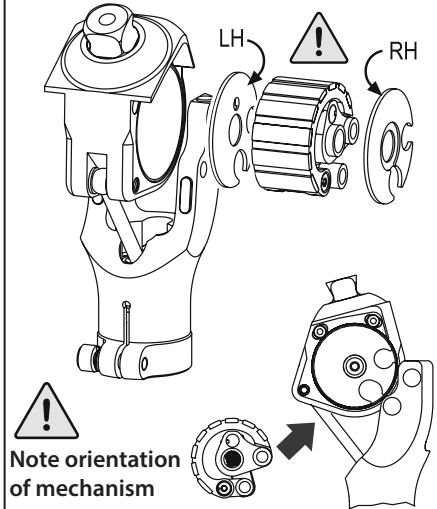
9

Clean bore with suitable solvent.

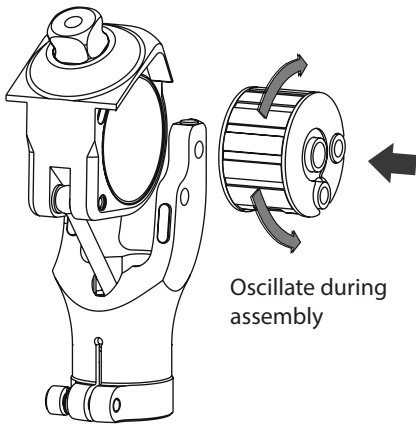


10

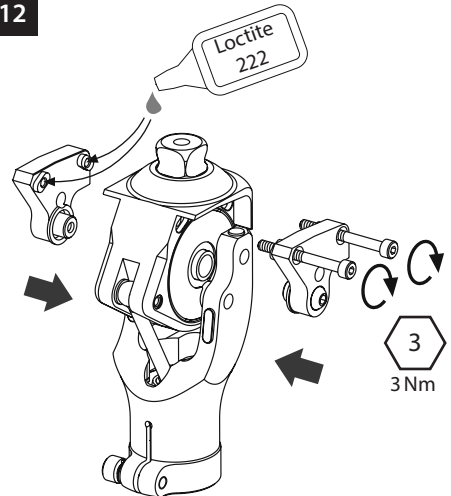
Re-assembly



11

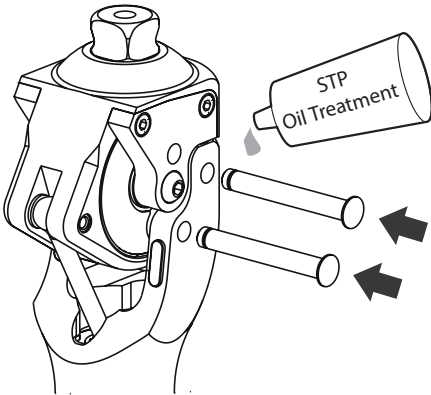


12



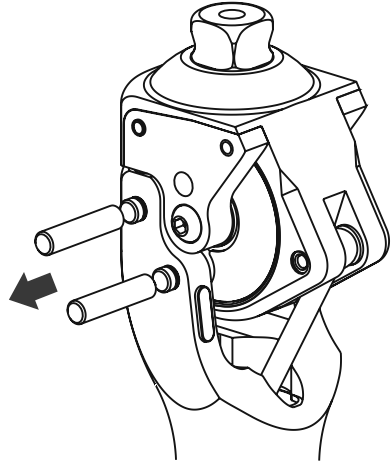
13

Apply a thin smear of lubricant (Part No. 928105) to the cross pins.

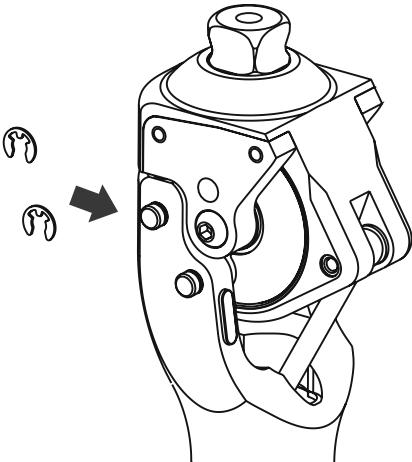


Make sure that no lubricant seeps into the brake drum. This may cause the device to become unstable.

14



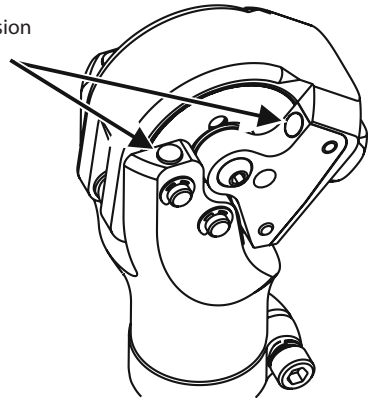
15



16

Replace all 4 extension stops annually. Extension stop kit Part No 239453

Extension Stops



Following maintenance it is important to review the user's stability adjustment. Refer to the flowchart in the Alignment Advice and Stability Adjustment section.

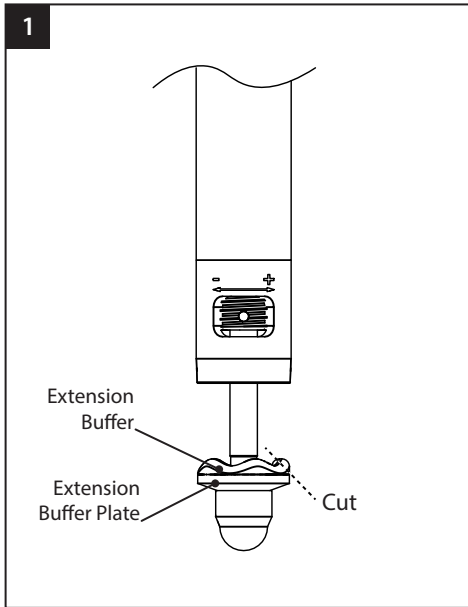
# 11 Maintenance of Extension Buffer



Use appropriate health and safety equipment at all times including extraction facilities.

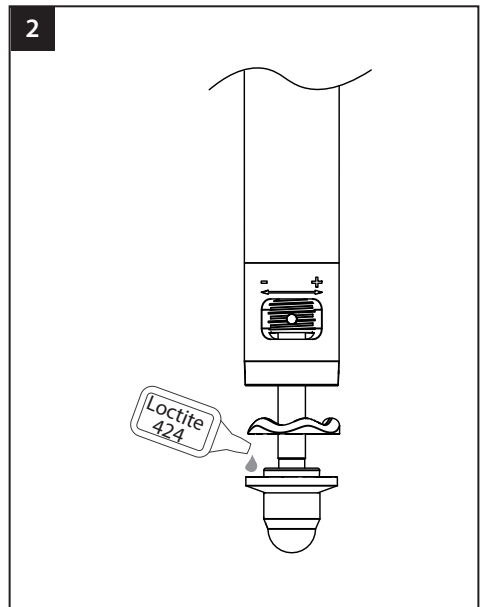


Be aware of finger trap hazard at all times.



Using a knife, cut and remove the old extension buffer.

Clean the top surface of the extension buffer plate using a suitable solvent.



Stretch the new extension buffer over the the extension buffer plate.

Secure the extension buffer to the extension buffer plate with Loctite 424.

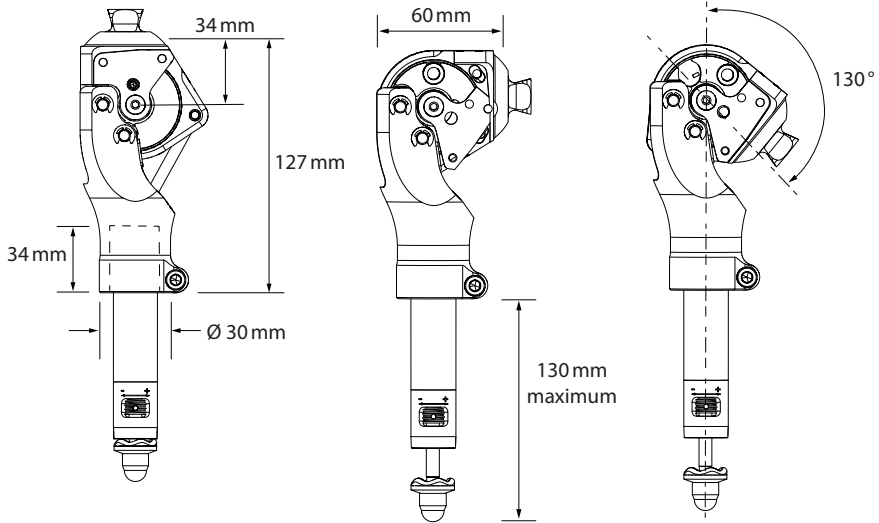
## 12 Troubleshooting

Symptom	Solution
Excessive noise from knee.	Clean the brake band and brake drum. Apply lubricant to the pivot pins. See Section 10 <i>Maintenance of Stabilizing Mechanism</i> for procedures.
Knee not stabilising.	Check the stability adjustment. See Section 8 <i>Alignment Advice and Stability Adjustment</i> . Clean the brake drum. Check the brake pads for wear and replace the stabilizing mechanism if the trailing edge of the brake is damaged. See Section 10 <i>Maintenance of Stabilizing Mechanism</i> for procedures.
Knee does not release.	Check the stability adjustment. See Section 8 <i>Alignment Advice and Stability Adjustment</i> .

## 13 Technical Data

Operating and Storage Temperature Range:	-15°C to 50°C 5°F to 122°F
Component Weight:	580 g (1 lb 5 ozs)
Recommended Activity Level:	2
Maximum User Weight:	125 kg (275 lb)
Proximal Alignment attachment:	Rotating Male Pyramid (Blatchford)
Distal attachment	30 mm dia tube clamp (Blatchford)
Build Height:	127 mm
Proximal pyramid to distal tube end	(+130 mm)
[See <i>Fitting Length</i> on page 17]	

## Fitting Length





## 14 Ordering Information

### Order Example

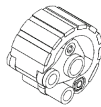


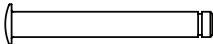

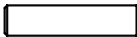


BMK2

### 14.1 Spare Parts


#### Extension Stop Kit 239453

Description	Qty	Illustration
Extension Stop - BMK2	4	
Fitting Instructions	1	


## Stabilizing Mechanism Kit 239553

Description	Qty	Illustration
Compact Stabilizing Mechanism	1	
Dust Cover LH	1	
Dust Cover RH	1	
Cross Pin	2	
Retainer External 'E' Ring	2	
Alignment Pin	2	
BMK2 Adjustment Warning Tag	1	
Fitting Instructions	1	

### Extension Buffer

Description	Qty	Part Number	Illustration
Extension Buffer	1	B-0000021	

### Consumables

Description	Qty	Part Number	Illustration
STP Oil Treatment	A/R	928105	
Loctite 222 Screwlock	A/R	926001	
Loctite 424 Adhesive	A/R	926104	

## Liability

The manufacturer recommends using the device only under the specified conditions and for the intended purposes. The device must be maintained according to the instructions for use supplied with the device. The manufacturer is not liable for any adverse outcome caused by any component combinations that were not authorized by them.

## CE Conformity

This product meets the requirements of the European Regulation EU 2017/745 for medical devices. This product has been classified as a class I device according to the classification rules outlined in Annex VIII of the regulation. The EU declaration of conformity certificate is available at the following internet address: [www.blatchford.co.uk](http://www.blatchford.co.uk)



Medical Device



Single Patient – multiple use

## Compatibility

Combination with Blatchford branded products is approved based on testing in accordance with relevant standards and the MDR including structural test, dimensional compatibility and monitored field performance.

Combination with alternative CE marked products must be carried out in view of a documented local risk assessment carried out by a Practitioner.

## Warranty

This device is warranted for 24 months from original date of purchase unless otherwise stated. The Compact Stabilizing Mechanism is warranted for 12 months from original date of purchase unless otherwise stated. Wear and tear on the brake band is excluded from the warranty. The user should be aware that changes or modifications not expressly approved could void the warranty, operating licenses and exemptions. See Blatchford website for the current full warranty statement including wear and tear.

## Reporting of Serious Incidents

In the unlikely event of a serious incident occurring in relation to this device it should be reported to the manufacturer and your national competent authority.

## Environmental Aspects

Where possible the components should be recycled in accordance with local waste handling regulations.

## Retaining the Packaging Label

You are advised to keep the packaging label as a record of the device supplied.

## Trademark Acknowledgements

Blatchford is a registered trademark of Blatchford Products Limited.

## Manufacturer's Registered Address



Blatchford Products Limited, Lister Road, Basingstoke RG22 4AH, UK

Indhold.....	20
1 Beskrivelse og tilsigtet formål.....	21
2 Sikkerhedsinformation.....	22
3 Konstruktion .....	23
4 Funktion.....	23
5 Vedligeholdelse .....	24
6 Begrænsninger i forbindelse med brugen.....	25
7 Bænktilpasning .....	26
8 Råd om tilpasning og stabilitetsjustering .....	27
9 Dynamisk tilpasning .....	28
10 Vedligeholdelse af stabiliseringsmekanismen .....	29
11 Vedligeholdelse af ekstensionsbuffer.....	33
12 Fejlfinding .....	34
13 Tekniske data .....	34
14 Bestillingsoplysninger .....	35
14.1 Reservedele.....	35



---

# 1 Beskrivelse og tilsigtet formål

Denne brugsanvisning er til klinikeren/lægen.

Udtrykket *anordning* anvendes i hele brugsanvisningen og henviser til BMK2-knæprotesen.

Sørg for, at brugeren har forstået hele brugsanvisningen, og gør især opmærksom på oplysningerne om vedligeholdelse og sikkerhed.

Brugere skal modtage gangtræning, før de bruger denne anordning.

## Anvendelse

Denne anordning må udelukkende anvendes som en del af en underbensprotese.

Anordningen er en kompakt, vægtaktiveret knæprotese med en justerbar hældning ved udstrækning af fjederen.

Denne anordning er beregnet til en enkelt bruger.

## Funktioner

- Vægtaktiveret, justerbar stillingskontrol
- Justerbar kontrol af hældningen ved udstrækning af fjederen sørger for dæmpning af belastning i slutpunktet
- Maksimal fleksionsvinkel 130°

## Aktivitetsniveau

Denne anordning er udelukkende beregnet til brugere med aktivitetsniveau 1 og 2. Se afsnit 13 *Tekniske data* for oplysninger om brugerens maksimale vægt.

### Aktivitetsniveau 1

Har evnen eller potentialet til at bruge en protese til forflytninger eller gang på plane overflader med en jævn gangrytme. Typisk for en person, der bruger protesen til begrænset og ubegrænset gang indendørs.

### Aktivitetsniveau 2

Har evnen eller potentialet til gang og kan krydse lave forhindringer i omgivelserne såsom kantsten, trappetrin eller ujævne overflader. Typisk for en person, der bruger protesen til begrænset og ubegrænset gang udendørs.

### Aktivitetsniveau 3

Har evnen eller potentialet til gang med en skiftende gangrytme. Typisk for en person, der kan gå udendørs, kan krydse de fleste forhindringer i omgivelserne, og kan have erhvervs-mæssig-, terapeutisk- eller træningsaktivitet, der kræver brug af protesen til andet end simpel bevægelse.

### Aktivitetsniveau 4

Har evnen eller potentialet til at gå med en benprotese, der overgår almindelige gangfærdigheder og kan klare høje niveauer af nedslag, stres og energi. Typisk for barnets, den aktive voksnes eller atletens krav.

## Kontraindikationer

Denne anordning er ikke egnet til brugere med:

- Ekstrem muskelsvaghed, kontrakturer som ikke kan tilpasses korrekt eller proprioceptiv dysfunktion, herunder dårlig balance.
- Kontralateral ledinstabilitet eller patologi.
- Komplicerede sygdomme der involverer flere handicap.
- Brugere, herunder dem der er transfemoralt amputerede på begge sider og kræver en støttefunktion i knæet for at gå ned ad trapper eller sidde ned. Dette kan medføre skader på bremsemekanismen, hvilket kan have en negativ effekt på stabilitet og slidstyrke.

## Kliniske fordele

- Den stabiliserende knæprotese aktiveres nemt under vægtbelastning for at give sikkerhed i stående stilling og ved gang på ujævne underlag. Den frigives derefter helt ved tåafsæt.
- Den robuste stabiliseringsmekanisme sørger for begænset stillingsfleksion, hvilket reducerer stødet under hælisættet.

---

## 2 Sikkerhedsinformation



Dette advarselssymbol fremhæver vigtig sikkerhedsinformation, som skal følges nøje.



Enhver ændring i knæprotesens ydeevne eller funktion, f.eks. begrænset bevægelse, ujævn bevægelse eller mislyde skal omgående rapporteres til serviceudbyderen. Under det afsluttende sving kan der muligvis høres lidt mislyde inden hælisæt som følge af belastningen under ekstension, når protesen opnår fuld ekstension.



Brug altid et gelænder, når du går ned ad trapper og på alle andre tidspunkter, når der forefindes gelænder.

Undgå eksponering for ekstrem varme og/eller kulde.



Anordningen er ikke beregnet til anvendelse i vand, eller når der tages brusebad. Hvis knæprotesen kommer i kontakt med vand, skal den omgående tørres.



Anordningen er ikke egnet til ekstremsport, løb eller cykelløb, sportsudøvelse på is eller i sne, ekstreme hældninger og trappetrin. Alle slags aktiviteter af denne art er udelukkende på brugerens egen risiko.



Montering, vedligeholdelse og reparation af anordningen må kun udføres af en læge med relevant uddannelse.



Sørg for, at der ikke er smørelse i bremsetromlen, når der udføres service på anordningen.



Sørg for, at der kun anvendes hensigtsmæssigt eftermonterede køretøjer under kørsel i bil. Alle personer er forpligtet til at overholde deres respektive kørebestemmelser, når de betjener motorkøretøjer.



Brugeren må ikke justere eller ændre på opsætningen af anordningen.



Brugeren bør rådes til at kontakte sin læge, hvis hans eller hendes tilstand ændres.



Vær til enhver tid opmærksom på risikoen for at få fingrene i klemme.



Alle større ændringer i hælhøjden efter at tilpasningen er udført kan have en negativ effekt på protesens funktion.

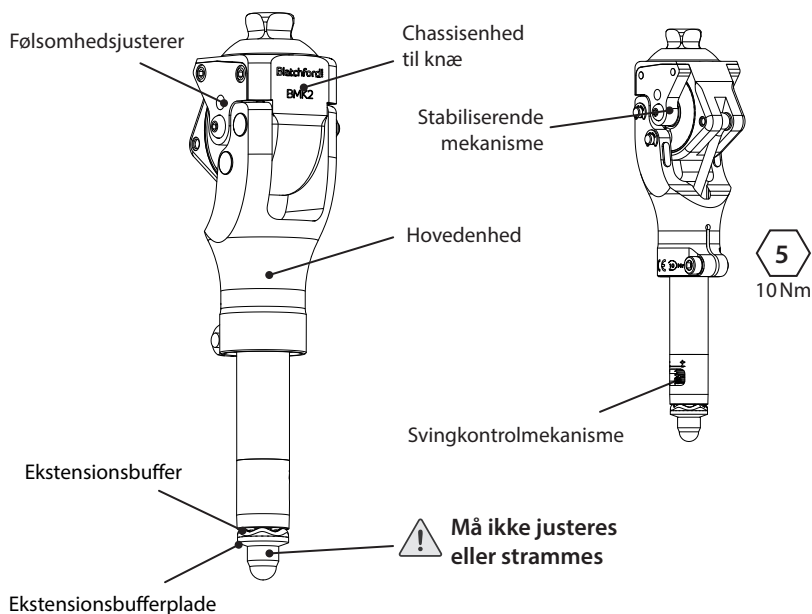
## 3 Konstruktion

### Vigtige dele

- Hovedenhed (aluminium, rustfrit stål, polyurethan, filt)
- Chassisenhed til knæ (aluminium, rustfrit stål)
- Stabiliserende mekanisme (aluminium, bronze, acetal homopolymer, polyurethan, syntetisk gummi)

Bemærk... friktionsmaterialet i stabiliseringsmekanismen indeholder ikke asbest.

### Komponentidentifikation



## 4 Funktion

Knæprotesen aktiveres under belastning, og følsomheden kan brugertilpasses, så den passer til brugerens behov.

Svingkontrollen kan justeres ved at ændre kompressionen på en springfeder, som kontrollerer hæløft og hældning under udstrækning

Anordningen giver mulighed for fleksion fra stående under aktivering af bremsen som følge af bremsebåndsmekanismens elasticitet.

---

## 5 Vedligeholdelse

Vedligeholdelse skal udføres af uddannet personale.

Det anbefales, at følgende vedligeholdelse udføres én gang om året:

- Kontrollér alle ikke-justerende skruer for stramhed (se afsnittet Konstruktion) (UNDGÅ at stramme den indkapslede møtrik i den distale ende).
- Rengør bremseklodsen, og udskift ekstensionsstoppene (se afsnit 10 *Vedligeholdelse af stabiliseringsmekanismen* med proceduren).
- I det tilfælde, at der opstår mislyde som f.eks. knirken og knagen og/eller mindsket stabilitet, skal der udføres vedligeholdelse på stabiliseringsmekanismen, se afsnit 10 *Vedligeholdelse af stabiliseringsmekanismen*. Hvis mislydene fortsætter, bedes du kontakte din Blatchford-repræsentant.
- Slitage på ekstensionsbufferen kan accepteres. Udskift ekstensionsbufferen, hvis der er høje mislyde under fuld ekstension. Se afsnit 11 *Vedligeholdelse af ekstensionsbuffer*.
- Kontrollér, at der ikke er overdreven medialt-lateralt slør i chassiset.
- Hvis bremsebåndsklodsens bagerste kant er slidt ned til plastikken på bremsebåndet, skal hele bremsebåndet udskiftes. (Bemærk: Individuelle klodser kan ikke udskiftes.)
- Sørg for, at retningen af bremsebåndet er korrekt under montering. Kontrollér altid stabiliteten før brug.

Den medfølgende brugervejledning skal udleveres til brugeren, og brugeren skal rådes til at rapportere følgende til den praktiserende læge:

- Eventuelle ændringer i kropsvægt eller aktivitetsniveau
- Eventuelle ændringer i denne anordnings ydeevne

Ændringer i ydeevnen kan omfatte:

- Begrænset sving
- Ændringer i svingets ubesværethed
- Nedsat stabilitet i stående stilling
- Eventuelle mislyde

### Rengøring

Brug en fugtig klud og mild sæbe til at rengøre udvendige overflader. Brug IKKE aggressive rengøringsmidler. Lad anordningen tørre helt inden brug.

## 6 Begrænsninger i forbindelse med brugen

### Forventet levetid

Der ydes garanti på produktet i produktets levetid – en lokal risikovurdering baseret på aktivitet og brugslængde skal udføres.

### Belastning ved løft af byrder

Brugerens vægt og aktivitet er underlagt de angivne grænser.

Byrder, der må bæres af brugeren, skal baseres på en lokal risikovurdering.

Bemærk... Anordningen aktiveres under belastning; når der bæres på byrder kan det medføre, at stillingsstøtten bliver hurtigere aktiv.

### Miljø

Undgå at udsætte anordningen for korroderende elementer som f.eks. vand, syrer og andre væsker. Undgå også slibende miljøer som f.eks. dem, der indeholder sand, eftersom disse kan fremme førtidigt slid.

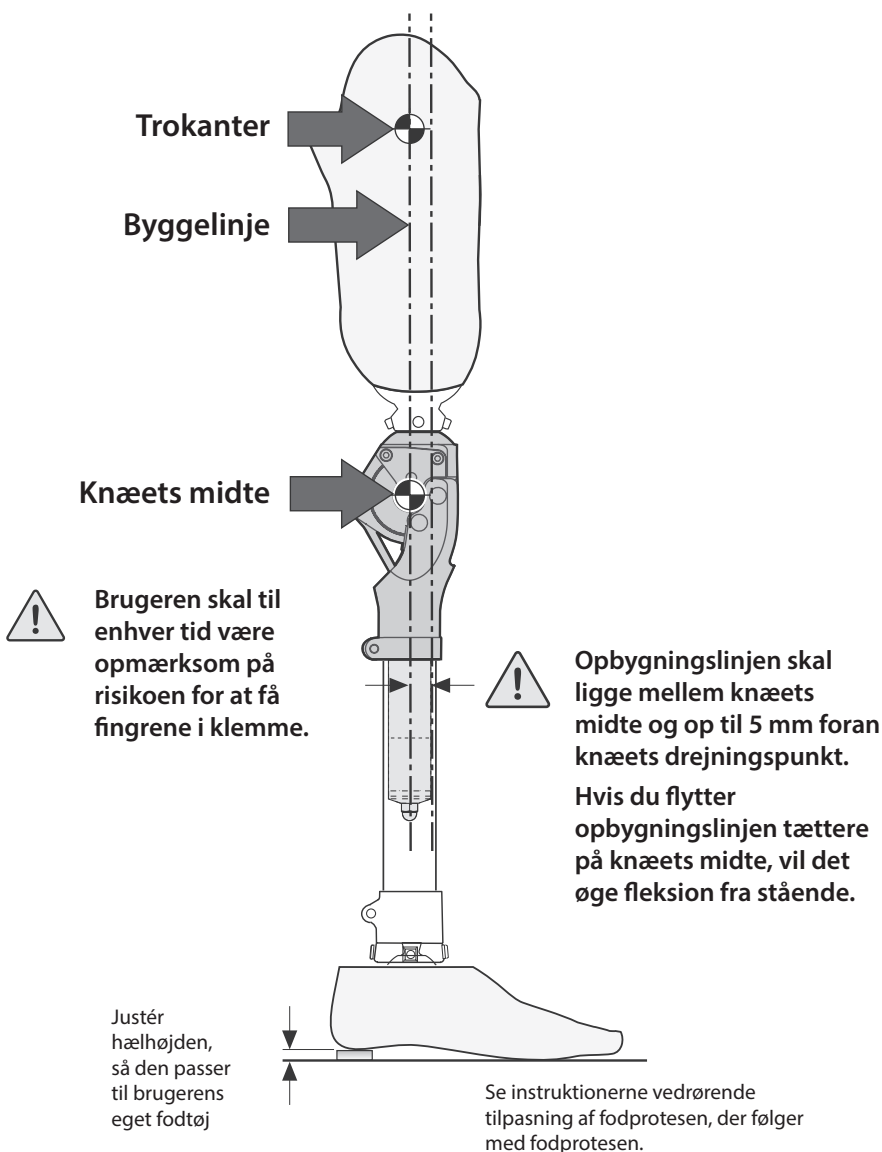


Egnet til udendørs brug

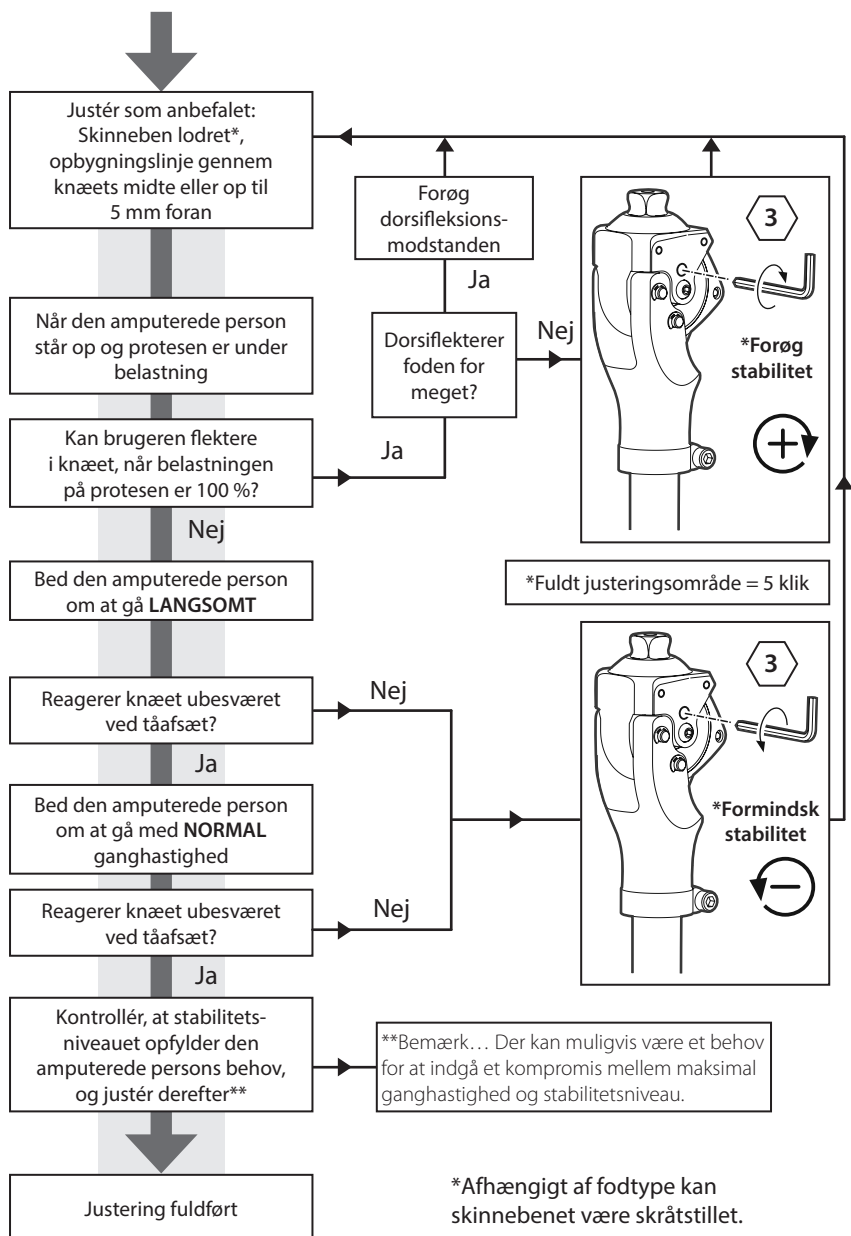
Må kun anvendes ved temperaturer mellem -15 °C og 50 °C.

## 7 Bænktilpasning

Når protesen justeres til brug med enheden, er placeringen af opbygningslinjen afgørende. Knæprotesen skal tilpasses, så den er geometrisk stabil. Med fuld fleksion i lårstykket skal opbygningslinjen gå gennem trokanter og knæets midte eller i en linje parallelt hermed op til 5 mm foran knæets midte.



## 8 Råd om tilpasning og stabilitetsjustering

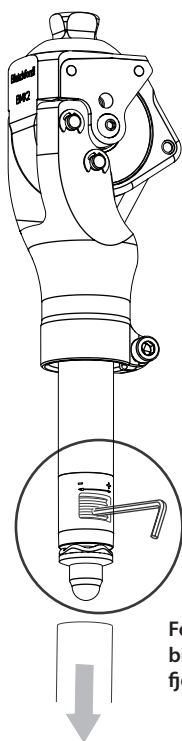


## 9 Dynamisk tilpasning

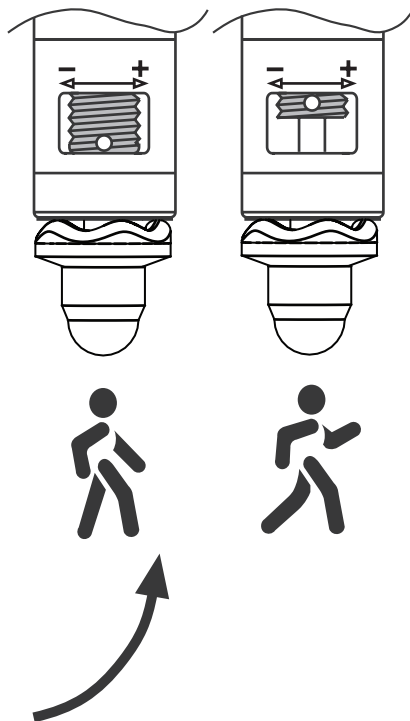
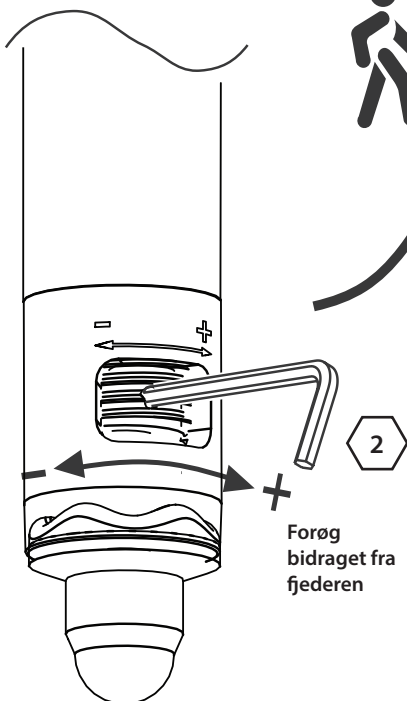
### Justering af svingkontrol (hældning ved udstrækning)

Bemærk... Når håndbetjent, kan involvering af dæmpning af belastning i slutpunktet mærkes umiddelbart inden fuld ekstension; dette er normalt.

Situation	Løsning
Hælløftet for højt under svingfasen, eller anordningen strækkes ikke helt ud i svingfasen.	Forøg bidraget fra fjederen
Hælløftet for lavt under svingfasen, eller brugeren oplever belastning i slutpunktet.	Formindsk bidraget fra fjederen



Formindsk bidraget fra fjederen



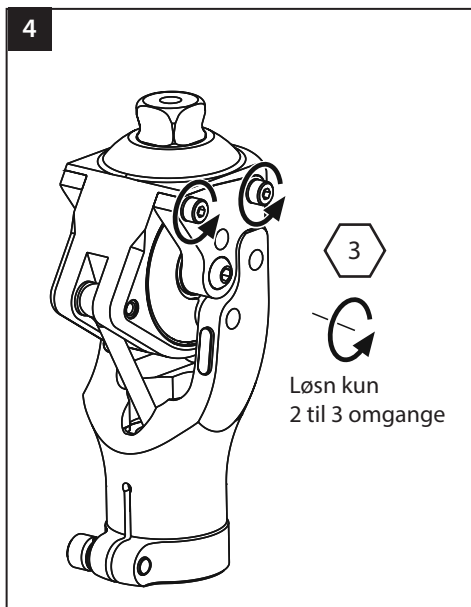
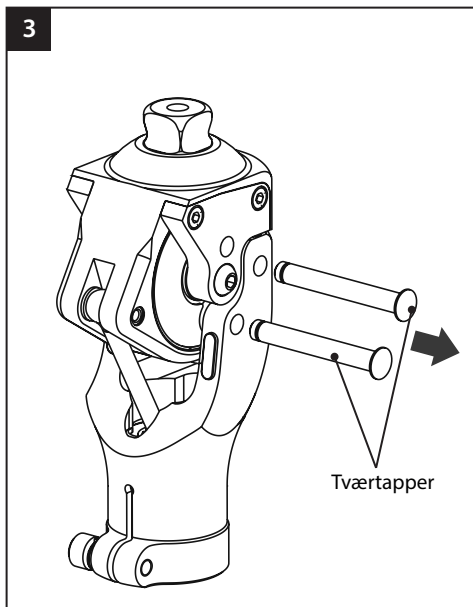
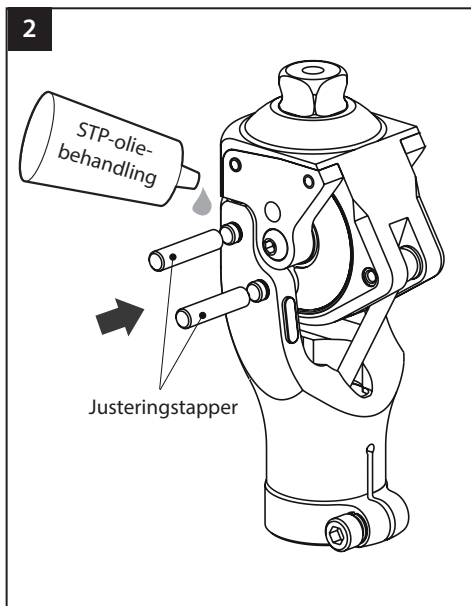
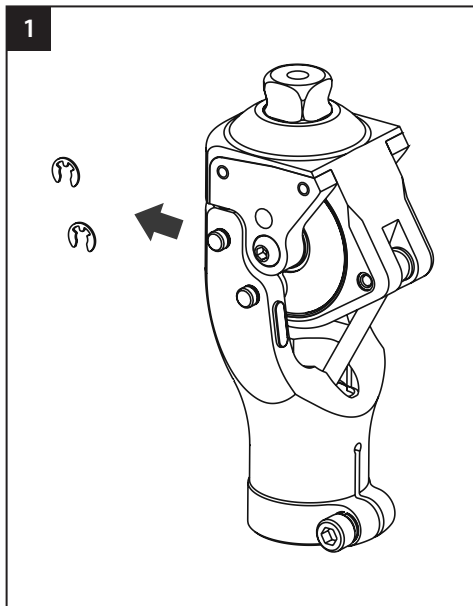
Forøg bidraget fra fjederen

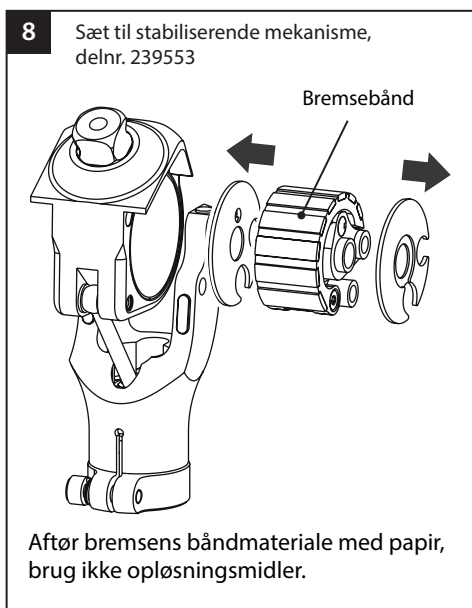
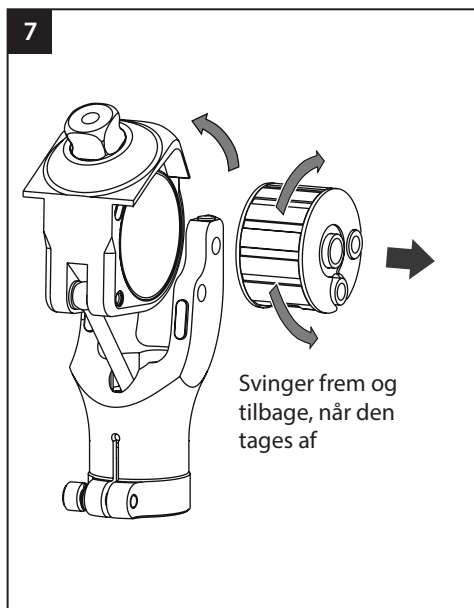
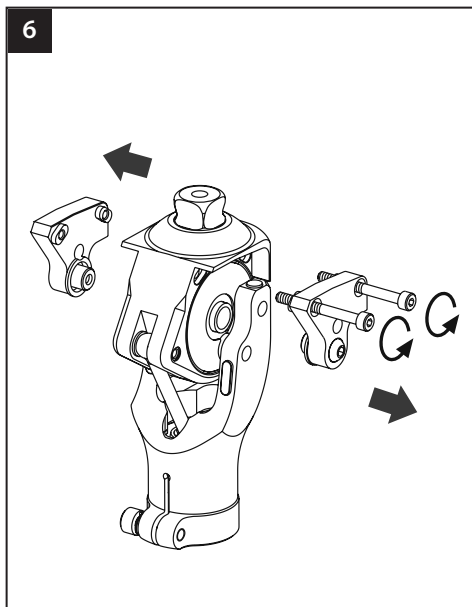
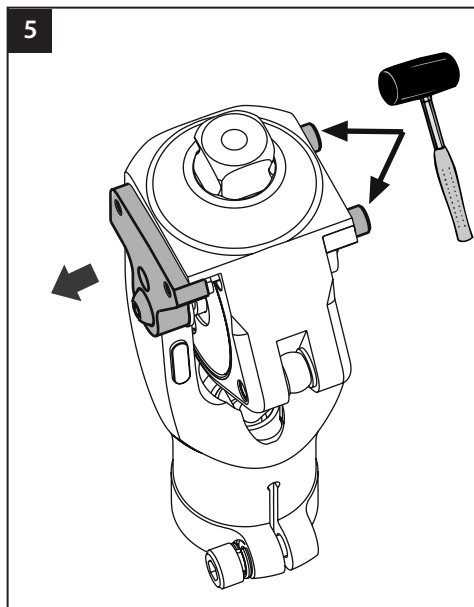


## 10 Vedligeholdelse af stabiliseringsmekanismen

⚠ Anvend altid passende sundheds- og sikkerhedsudstyr, herunder afmonteringsudstyr.

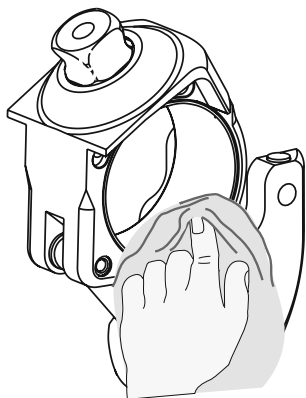
⚠ Vær til enhver tid opmærksom på risikoen for at få fingrene i klemme.





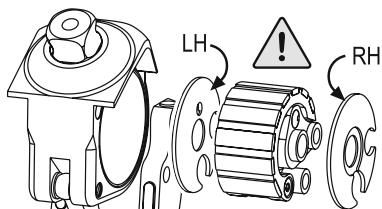
9

Rens hullet med et passende rengøringsmiddel.

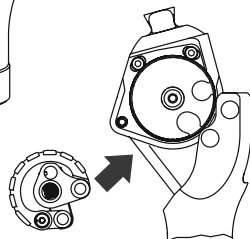


10

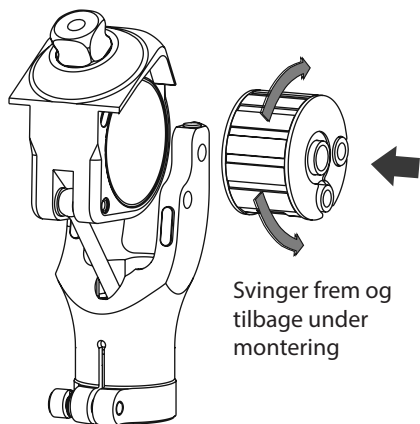
Monter igen



Læg mærke til mekanismens orientering

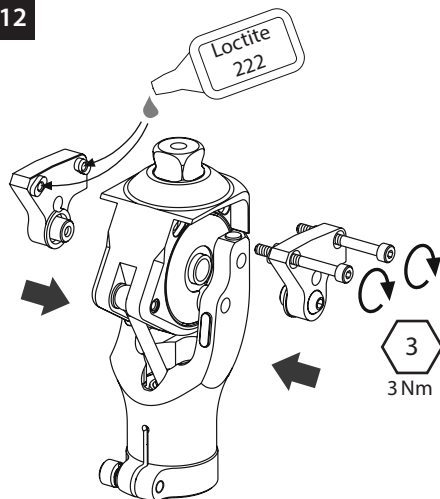


11



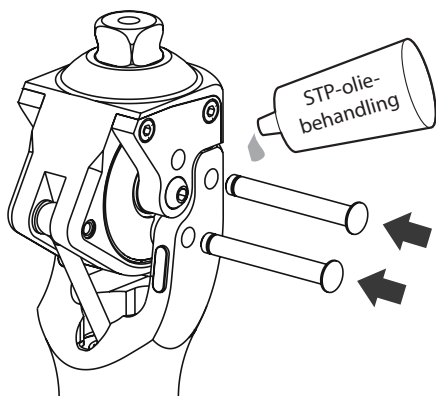
Svinger frem og tilbage under montering

12



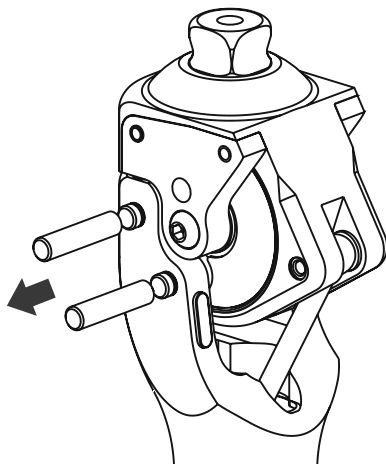
3  
3 Nm

- 13** Påfør et tyndt lag smørelse (delnr. 928105) på tværtapperne.

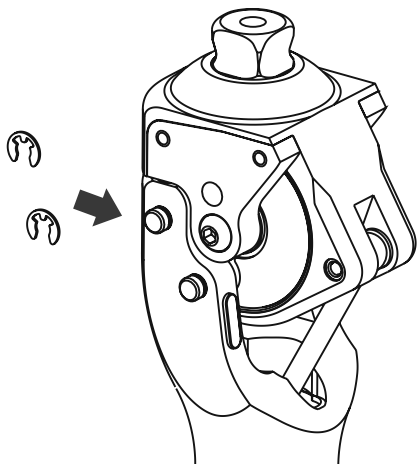


**!** Sørg for, at der ikke siver smørelse ind i bremsetromlen. Dette kan føre til, at anordningen bliver ustabil.

**14**



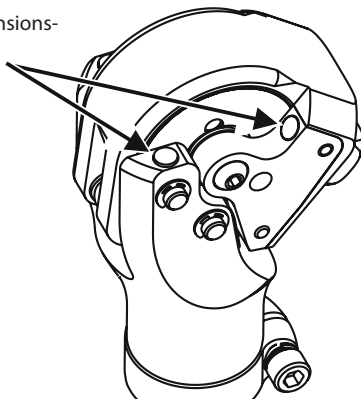
**15**



**16**

- Udskift alle 4 ekstensionsstoppene én gang om året. Sæt til ekstensionsstop delnr. 239453

Ekstensionsstop

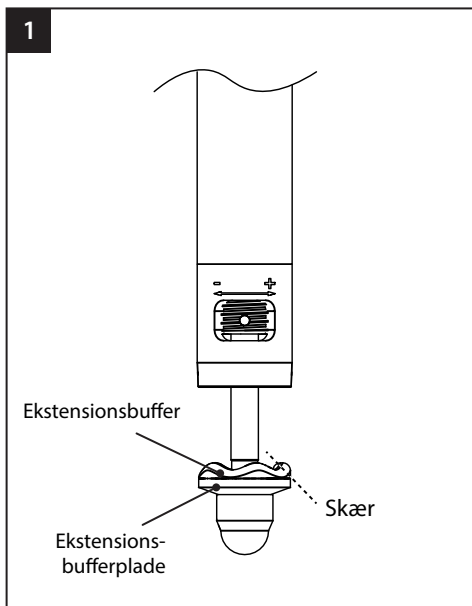


Efter vedligeholdelse er det vigtigt, at brugerens stabilitetsjustering gennemgås. Se flowdiagrammet i afsnittet Råd om tilpasning og stabilitetsjustering.

## 11 Vedligeholdelse af ekstensionsbuffer

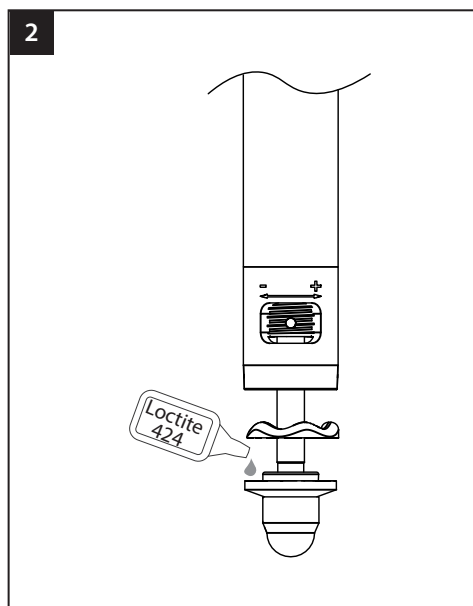
⚠ Anvend altid passende sundheds- og sikkerhedsudstyr, herunder afmonteringsudstyr.

⚠ Vær til enhver tid opmærksom på risikoen for at få fingrene i klemme.



Fjern den gamle ekstensionsbuffer ved at skære med en kniv.

Rengør oversiden af ekstensionsbufferpladen ved brug af et passende rengøringsmiddel.



Udstræk den nye ekstensionsbuffer hen over ekstensionsbufferpladen.

Fastgør ekstensionsbufferen til ekstensionsbufferpladen med Loctite 424.

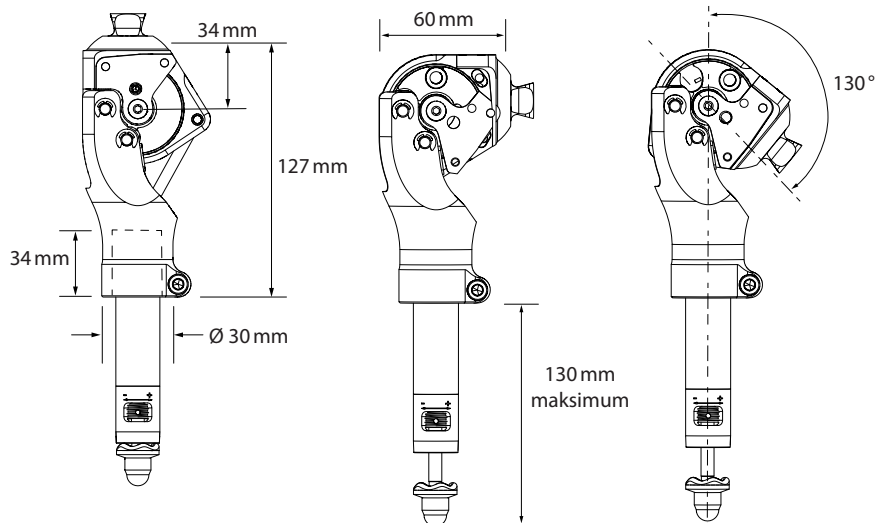
## 12 Fejlfinding

Symptom	Løsning
Høje mislyde i knæprotesen.	Rengør bremsebånd og bremsetromle. Påfør smørelse til drejetapperne. Se afsnit 10 <i>Vedligeholdelse af stabiliseringsmekanismen med procedurer.</i>
Knæprotesen stabiliseres ikke.	Kontrollér justering af stabilitet. Se afsnit 8 <i>Råd om tilpasning og stabilitetsjustering.</i> Rengør bremsetromlen. Kontrollér bremseklodserne for slid, og udskift den stabiliserende mekanisme, hvis bremSENS bagerste kant er beskadiget. Se afsnit 10 <i>Vedligeholdelse af stabiliseringsmekanismen med procedurer.</i>
Knæet frigøres ikke.	Kontrollér justering af stabilitet. Se afsnit 8 <i>Råd om tilpasning og stabilitetsjustering.</i>

## 13 Tekniske data

Temperaturområde for betjening og opbevaring:	-15 °C til 50 °C
Komponentens vægt:	580 g
Anbefalet aktivitetsniveau:	2
Brugerens maksimale vægt:	125 kg
Proksimal justeringsdel:	Drejende han-pyramide (Blatchford)
Distal montering	Rørklemme med 30 mm diameter (Blatchford)
Byggehøjde:	127 mm
Proksimal pyramide til distal rørende	(+130 mm)
[Se <i>Tilpasset længde</i> på side 35]	

## Tilpasset længde



## 14 Bestillingsoplysninger

### Bestillingseksempel

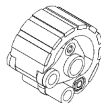


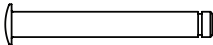

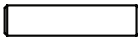
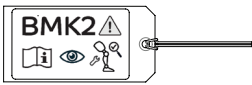

BMK2

### 14.1 Reservedele


#### Sæt til ekstensionsstop 239453

Beskrivelse	Stk.	Illustration
Ekstensionsstop - BMK2	4	
Tilpasningsanvisninger	1	


## Sæt til stabiliserende mekanisme 239553

Beskrivelse	Stk.	Illustration
Kompakt stabiliserende mekanisme	1	
Støvdæksel LH	1	
Støvdæksel RH	1	
Tværtap	2	
Ydre 'E'-ring til fastgørelse	2	
Justeringstap	2	
BMK2 etiket med advarsler ifm. justering	1	
Tilpasningsanvisninger	1	

### Ekstensionsbuffer

Beskrivelse	Stk.	Delnummer	Illustration
Ekstensionsbuffer	1	B-0000021	

### Forbrugsvarer

Beskrivelse	Stk.	Delnummer	Illustration
STP-olie-behandling	Efter behov	928105	
Loctite 222 skruelås	Efter behov	926001	
Loctite 424 klæbemiddel	Efter behov	926104	



## Ansvar

Producenten anbefaler, at anordningen udelukkende bruges under de specificerede forhold og til de tilsigtede formål. Anordningen skal vedligeholdes i henhold til brugsanvisningen, der følger med anordningen. Producenten er ikke ansvarlig for nogle negative resultater, der skyldes komponentkombinationer, der ikke er godkendt af producenten.

## CE-overensstemmelse

Dette produkt opfylder kravene i den Europæiske forordning EU 2017/745 for medicinsk udstyr. Dette produkt er klassificeret som klasse I-udstyr i henhold til klassificeringskriterierne, der er beskrevet i bilag VIII til forordningen. Certifikatet for EU-overensstemmelseserklæringen er tilgængeligt på følgende internetadresse: [www.blatchford.co.uk](http://www.blatchford.co.uk)



Medicinsk udstyr



Enkelt patient – flergangsbrug

## Kompatibilitet

Kombination med Blatchford-mærkevarer er godkendt baseret på testning i overensstemmelse med relevante standarder og direktivet om medicinsk udstyr, herunder strukturel test, dimensionskompatibilitet og monitoreret feltpræstation.

Kombination med alternative CE-mærkede produkter skal udføres på grundlag af en dokumenteret lokal risikovurdering udført af en praktiserende læge.

## Garanti

Der ydes 24 måneders garanti på anordningen fra købsdatoen, medmindre andet er angivet. Der ydes 12 måneders garanti på den kompakte stabiliseringsmekanisme fra købsdatoen, medmindre andet er angivet. Slitage på bremsebåndet er ikke dækket af garantien. Brugeren skal være opmærksom på, at ændringer eller modifikationer, der ikke udtrykkeligt er godkendt, kan annullere garantien, driftslicenser og undtagelser. Besøg Blatchford-webstedet for at se den aktuelle fulde garantierklæring, herunder slitage.

## Rapportering af alvorlige hændelser

I det usandsynlige tilfælde, at der opstår en alvorlig hændelse i forbindelse med denne anordning, skal den rapporteres til producenten og den nationale tilsynsmyndighed.

## Miljømæssige aspekter

Hvor det er muligt, skal komponenterne genbruges i overensstemmelse med lokale regler for affaldshåndtering.

## Opbevaring af emballagens etiket

Du rådes til at opbevare emballagens etiket som en fortegnelse over den leverede anordning.

## Anerkendelse af varemærket

Blatchford er et registreret varemærke tilhørende Blatchford Products Limited.

## Producentens registrerede adresse



Blatchford Products Limited, Lister Road, Basingstoke RG22 4AH, Storbritannien.

Innhold.....	38
1 Beskrivelse og tiltenkt formål .....	39
2 Sikkerhetsinformasjon.....	40
3 Konstruksjon .....	41
4 Funksjon .....	41
5 Vedlikehold.....	42
6 Begrensninger i bruken .....	43
7 Referanseinnretting.....	44
8 Stabilitetsjustering og råd om innretting.....	45
9 Dynamisk innretting .....	46
10 Vedlikehold av stabiliseringsmekanismen.....	47
11 Vedlikehold av ekstensjonsbufferen .....	51
12 Problemer og løsninger .....	52
13 Tekniske data .....	52
14 Bestillingsinformasjon.....	53
14.1 Reservedeler .....	53

---

# 1 Beskrivelse og tiltenkt formål

Denne bruksanvisningen er ment for kliniker/lege.

Begrepet *enhet* brukes i denne bruksanvisningen for å vise til BMK2-kneet.

Forsikre deg om at brukeren forstår alle bruksanvisningene, spesielt avsnittene om vedlikehold og sikkerhetsinformasjon.

Brukere må få gangart-opplæring før enheten brukes.

## Bruksområde

Denne enheten skal utelukkende brukes som en del av en protese for nedre ekstremiteter.

Enheten er et kompakt, vektaktivert kne med justerbar, fjærforspent ekstensjon.

Enheten er ment å brukes av én bruker.

## Egenskaper

- vektaktivert, justerbar stillingskontroll
- justerbar kontroll av ekstensjonsforspenning som omfatter demping av støt når kneet strekkes ut til endepunktet
- maksimal fleksjonsvinkel på 130°

## Aktivitetsnivå

Enheten er ment kun for brukere på aktivitetsnivå 1 og 2. Se avsnitt 13 *Tekniske data* for maksimal brukervekt.

### Aktivitetsnivå 1

Kan bruke protese når han/hun reiser seg eller setter seg ned eller forflytter seg på jevnt underlag med jevn skritthastighet. Typisk for en person som beveger seg hjemme med og uten begrensninger.

### Aktivitetsnivå 2

Kan forflytte seg normalt, samt stige over lave hindringer i miljøet, slik som fortauskanter, trapper eller ujevne underlag. Typisk for en person som beveger seg litt i nærmiljøet.

### Aktivitetsnivå 3

Kan forflytte seg normalt med variabel skritthastighet. Typisk for en person som beveger seg i nærmiljøet, og som kan stige over de fleste hindringer i miljøet. Han/hun kan også ha behov for å kunne utføre aktiviteter i forbindelse med yrket sitt, terapi eller trening som krever bruk av protesen utover enkel bevegelse.

### Aktivitetsnivå 4

Kan forflytte seg med protesen på et nivå som overgår grunnleggende gåferdigheter, og har høyt støt-, belastnings- eller energinivå. Typiske krav til proteser for barn, aktive voksne eller idrettsutøvere.

## Kontraindikasjoner

Enheten er ikke egnet for brukere med:

- Ekstrem muskelsvakhet, kontrakturer som ikke kan tilpasses riktig, eller somatosensorisk dysfunksjon inkludert dårlig balanse.
- Kontralateral leddinstabilitet eller patologi.
- Kompliserte tilstander som involverer multifunksjonshemming.
- Brukere, inkludert bilaterale transfemorale amputerte, som trenger en ettergivende funksjon fra kneet for å gå ned trapper eller sitte. Dette kan resultere i skade på bremsemekanismen, som kan negativt påvirke stabilitet og slitestyrke.

## Kliniske fordeler

- Stabiliseringskneet aktiveres med en jevn bevegelse når det påføres vekt for å holde brukeren trygg både når vedkommende står og går på ujevnt underlag. Det løses ut igjen idet tåen forlater bakken.
- Stabiliseringsmekanismen sikrer begrenset stillingsfleksjon, som reduserer støtet når brukeren setter hælen i bakken.

---

## 2 Sikkerhetsinformasjon



**Dette advarselssymbolet fremhever viktig sikkerhetsinformasjon som må følges nøye.**



Eventuelle endringer i ytelsen eller funksjonen til kneet, f.eks. begrenset bevegelse, ujevn bevegelse eller uvanlige lyder, må rapporteres til tjenesteleverandøren umiddelbart. Når kneet strekkes ut mot endepunktet og rett før hælen tar i bakken, kan det høres noe lyd fra ekstensjonshjelpeanordningen idet protesen strekkes helt ut.



Bruk alltid et rekkverk når du går ned trapper og når som helst ellers hvis det er tilgjengelig. Unngå å utsette enheten for ekstrem varme og/eller kulde.



Enheten er ikke egnet til bruk i vann eller som dusjprotese. Hvis kneet kommer i kontakt med vann, må det tørkes av umiddelbart.



Enheten er ikke egnet for ekstremsport, løping eller sykling, vinteridrett, svært bratte bakker/løyper og trappetrinn. Alle slike aktiviteter utføres helt og holdent på brukerens egen risiko.



Montering, vedlikehold og reparasjon av enheten må bare utføres av en kvalifisert kliniker.



Når du utfører vedlikehold på enheten, må du sjekke at det ikke er noe smurning i bremsetrommelen.



Forsikre deg om at bare kjøretøyer med passende ettermontering brukes når du kjører. Alle personer må overholde gjeldende vegtrafikklover når de bruker motorvogner.



Brukeren må ikke justere eller tukle med monteringen av enheten.



Brukeren bør informeres om å kontakte klinikerens sin dersom tilstanden deres endrer seg.



Vær alltid oppmerksom på at fingrene kan komme i klem.



Alle overdrevne endringer i hælhøyde etter justeringen er fullført kan negativt påvirke protesens funksjon.

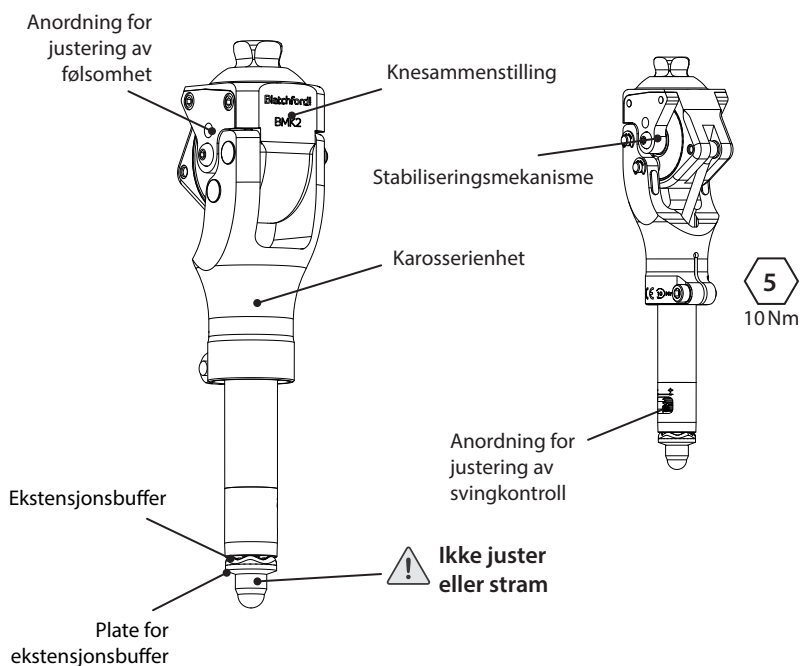
## 3 Konstruksjon

### Viktigste deler

- Hoveddel (aluminium, rustfritt stål, polyuretan, filt)
- Knesammenstilling (aluminium, rustfritt stål)
- Stabiliseringsmekanisme (aluminium, bronse, acetal-homopolymer, polyuretan, syntetisk gummi)

Merk... Friksjonsmateriale i stabiliseringsmekanismen inneholder ikke asbest.

### Komponentidentifisering



## 4 Funksjon

Kneet er vektaktivert, og følsomheten kan tilpasses den enkelte brukers stabilitetsbehov. Svingkontrollen kan justeres ved å endre komprimeringen av en spiralfjær som kontrollerer hæløftet og ekstensjonsforspenningen.

Fjæringen i bremsebåndmekanismen gjør det mulig for enheten å skape stillingsfleksjon når bremsen aktiveres.

---

## 5 Vedlikehold

Vedlikehold må utføres av kompetent personell.

Det anbefales at følgende vedlikehold utføres årlig:

- Sjekk at alle skruene som ikke er justeringsskruer, er stramme (se avsnittet Konstruksjon) (IKKE stram den tildekte mutteren på den distale enden).
- Rengjør bremsebelegget og bytt ut ekstensjonsstoppanordningene (se avsnitt 10 *Vedlikehold av stabiliseringsmekanismen* for fremgangsmåten).
- Hvis det oppstår uvanlige lyder som gnissing eller knirking og/eller stabiliteten blir redusert, må du utføre vedlikehold på stabiliseringsmekanismen. Se avsnitt 10 *Vedlikehold av stabiliseringsmekanismen*. Ta kontakt med Blatchford-representanten hvis lyden ikke forsvinner.
- Slitasje på ekstensjonsbufferen er akseptabelt. Hvis det er mye lyd idet kneet strekkes helt ut, må du bytte ut ekstensjonsbufferen. Se avsnitt 11 *Vedlikehold av ekstensjonsbufferen*.
- Kontroller knesammenstillingen for overdreven mediolateral vandring.
- Hvis bakkanten på belegget på bremsebåndet er slitt ned til plasten på bremsebåndet, må du bytte ut hele bremsebåndet. (Merk: beleggene kan ikke byttes ut enkeltvis.)
- Sørg for at bremsebåndet sitter rett vei når du setter delene sammen igjen. Sjekk alltid stabiliteten før bruk.

Gi bruksanvisningen som følger med, til brukeren, og be vedkommende rapporterte følgende til legen:

- alle endringer i kroppsvekt eller aktivitetsnivå
- alle endringer i enhetens ytelse

Endringer i ytelse kan omfatte:

- begrenset svingfase
- endringer i jevnheten til svingfasen
- redusert stabilitet i stillingen
- Eventuelle uvanlige lyder

### Rengjøring

Bruk en fuktig klut og mild såpe for å rengjøre utvendige overflater. IKKE bruk sterke rengjøringsmidler. Tørk nøye før bruk.

## 6 Begrensninger i bruken

### Tiltenkt levetid

Produktets levetid dekkes av garantiperioden. En lokal risikovurdering bør utføres basert på aktivitet og bruk.

### Løftebelastninger

Brukerens vekt og aktivitetsnivå bestemmes av de angitte grensene.

Lastbæring av brukeren skal være basert på en lokal risikovurdering.

Merk... Enheten er vektaktivert. Det betyr at stillingsstøtten kan aktiveres raskere hvis brukeren bærer noe.

### Miljø

Unngå å utsette enheten for korroderende elementer som vann, syrer og andre væsker. Unngå også slipende miljøer som for eksempel inneholder sand, fordi dette kan føre til tidlig slitasje.

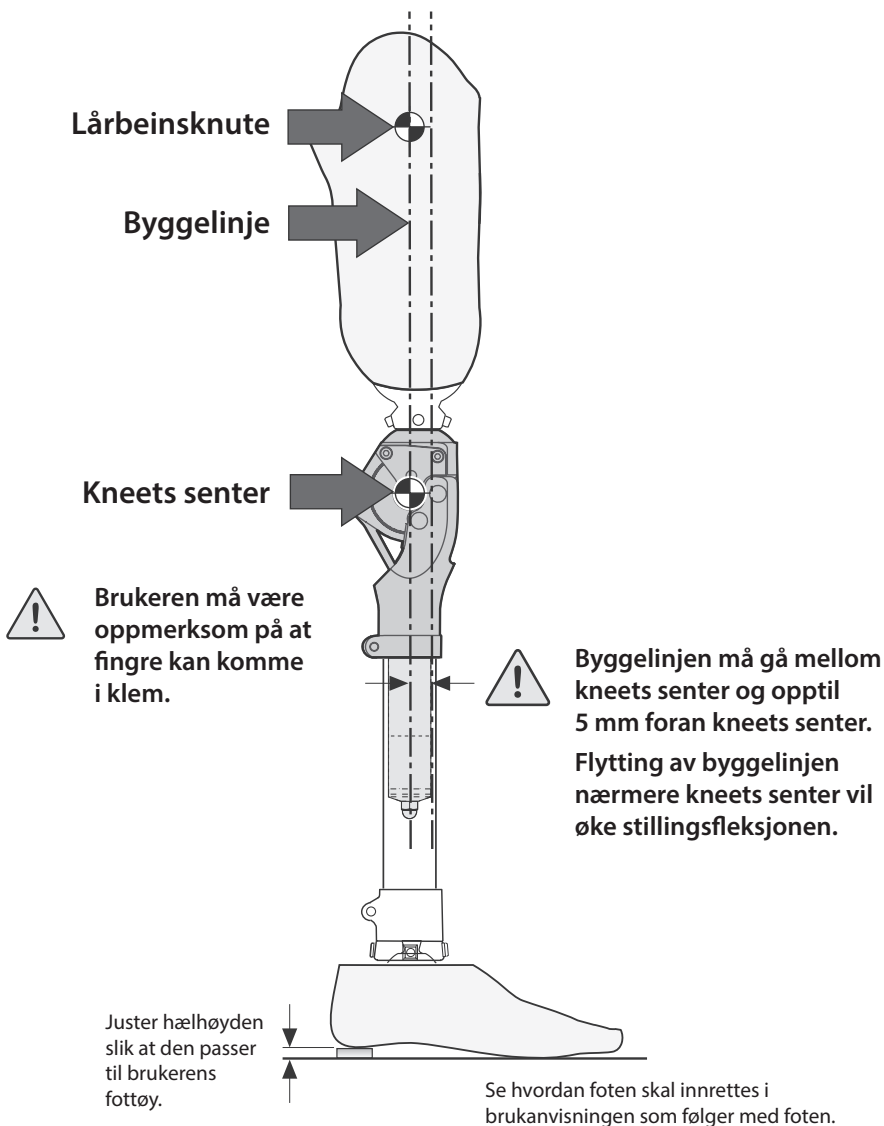


Egnet for utendørs bruk

Skal bare brukes ved temperaturer mellom -15 °C og 50 °C.

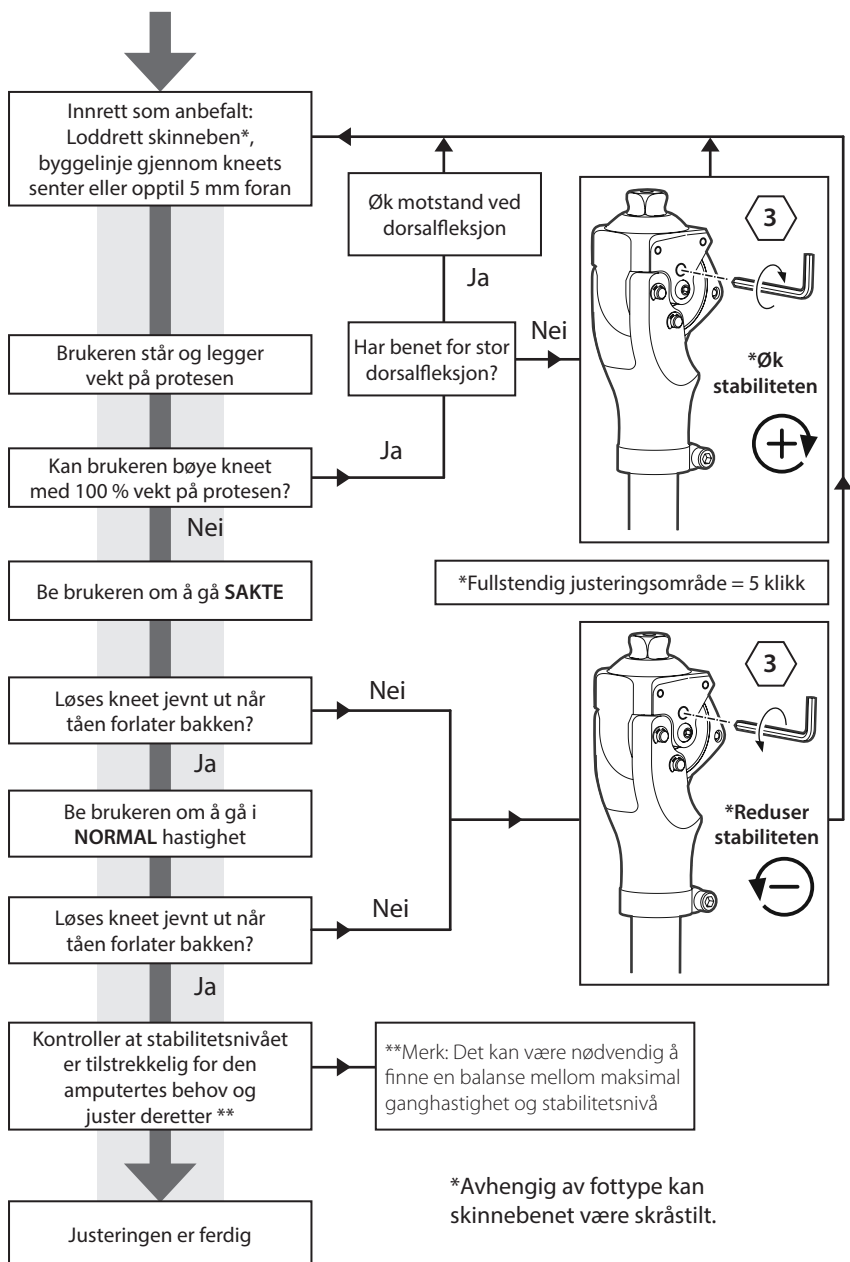
## 7 Referanseinnretting

Når protesen skal innrettes for bruk med enheten, er byggelinjens posisjon avgjørende. Kneet må være innrettet slik at det er geometrisk stabilt. Når hylsen er i fullstendig fleksjon, bør byggelinjen passere gjennom trokanter og kneets senter, eller i en linje parallelt med dette, inntil 5 mm foran kneets senter.





## 8 Stabilitetsjustering og råd om innretting

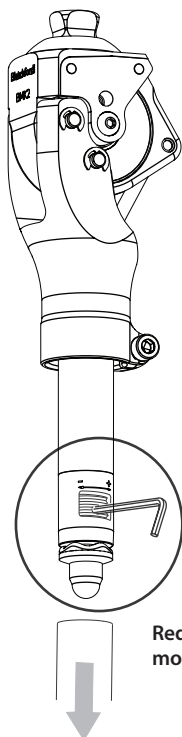


## 9 Dynamisk innretting

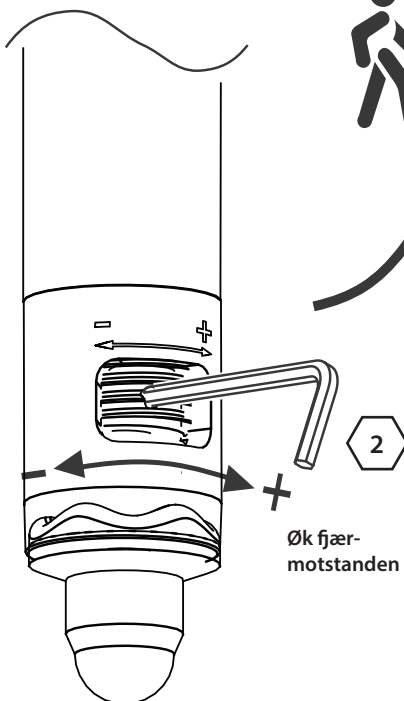
### Justering av svingkontroll (ekstensjonsforspenning)

Merk: Hvis enheten håndteres manuelt, kan det hende du kjenner når dempingen av støtet ved endepunktet aktiveres rett før full ekstensjon. Dette er normalt.

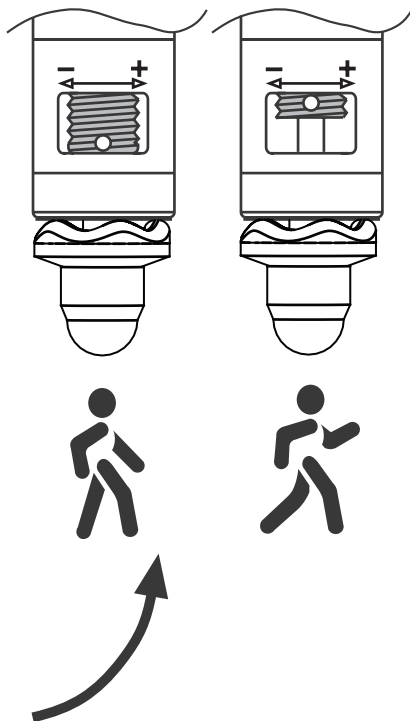
Situasjon	Løsning
Hælen løftes for høyt i svingfasen eller enheten strekkes ikke fullstendig ut i svingfasen.	Øk fjær- motstanden
Hælen løftes for lite under svingfasen eller brukeren opplever støt når kneet strekkes ut til endepunktet.	Reduser fjær- motstanden



Reduser fjær-  
motstanden



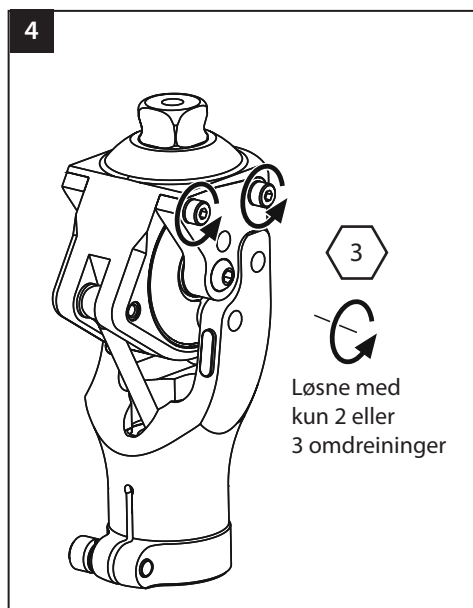
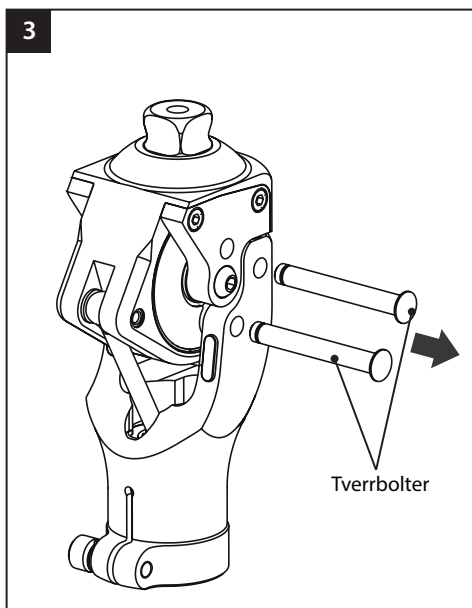
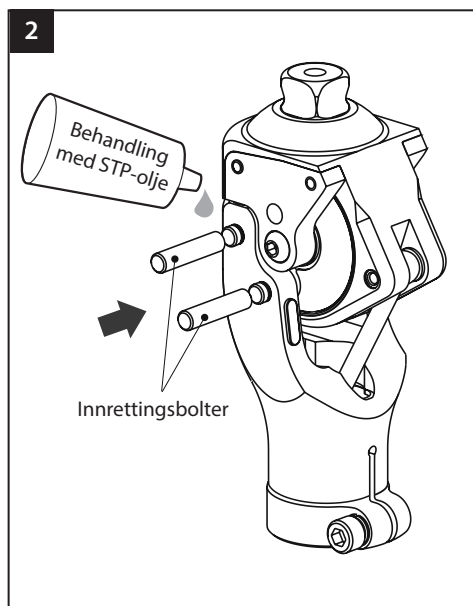
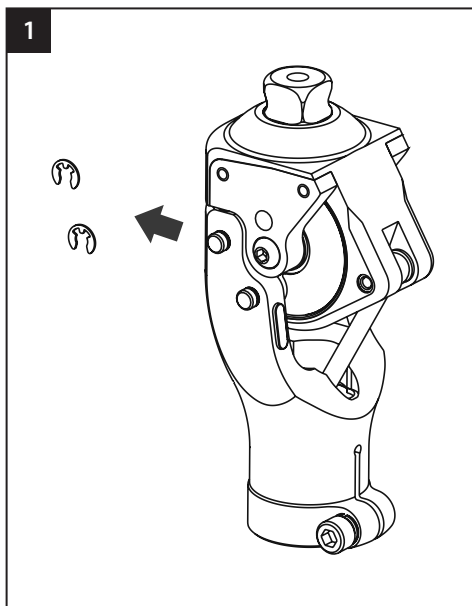
Øk fjær-  
motstanden

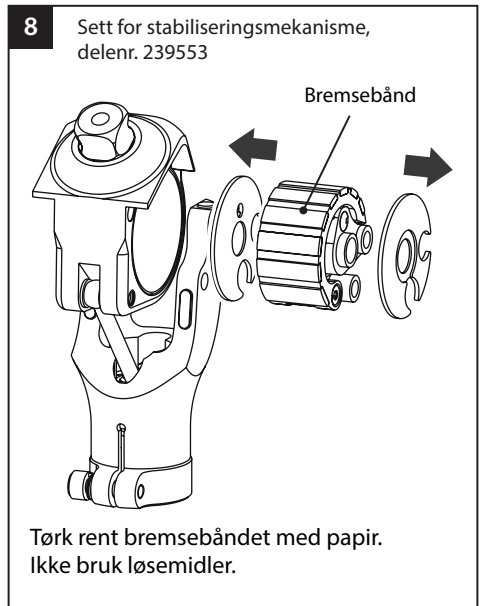
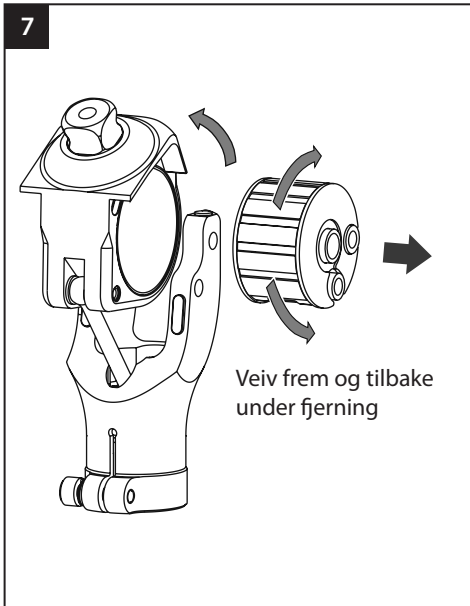
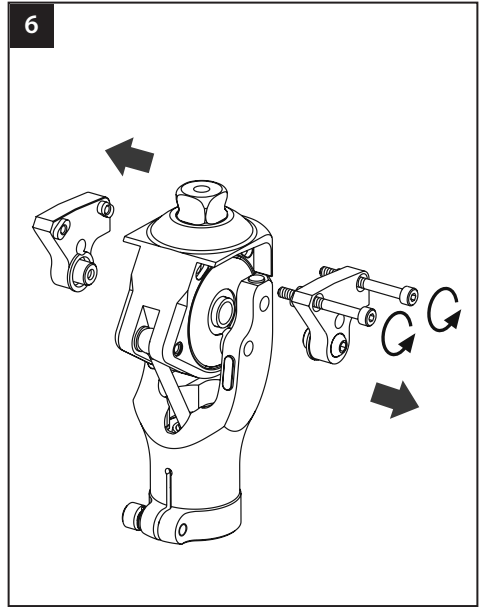
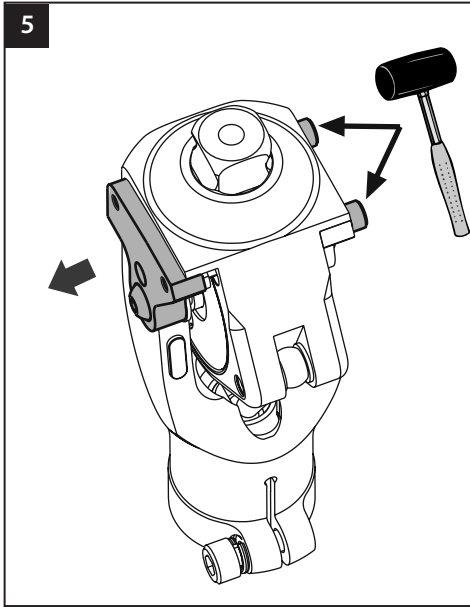


## 10 Vedlikehold av stabiliseringsmekanismen

⚠️ Bruk passende HMS-utstyr til enhver tid, inkludert avtrekksanlegg.

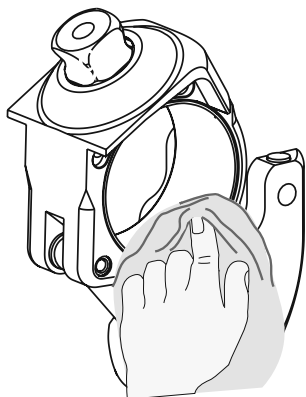
⚠️ Vær alltid oppmerksom på at fingrene kan komme i klem.





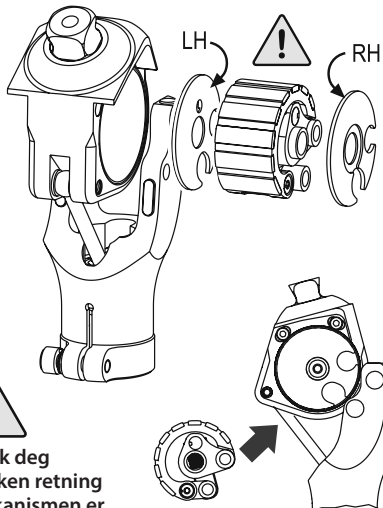
9

Rengjør drill med passende løsemiddel.



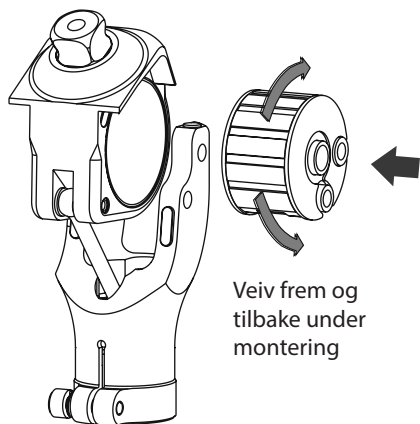
10

Sett sammen igjen



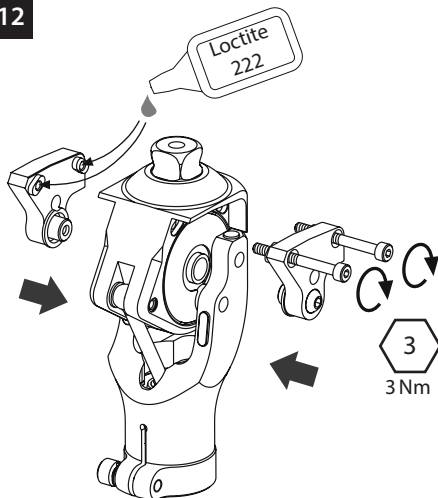
Merk deg hvilken retning mekanismen er montert i

11



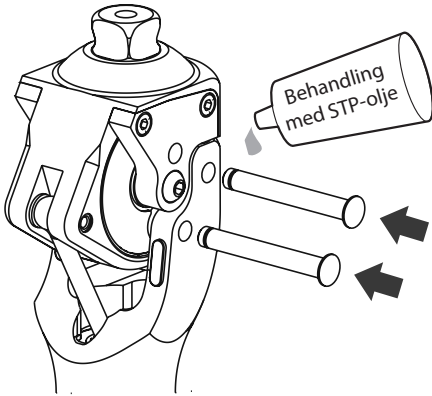
Veiv frem og tilbake under montering

12



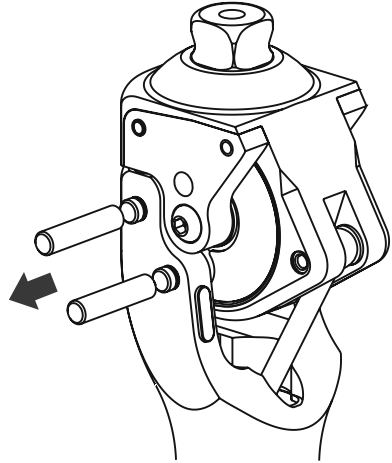
13

Påfør et tynt lag med smurning  
(delenr. 928105) på tverrboltene.

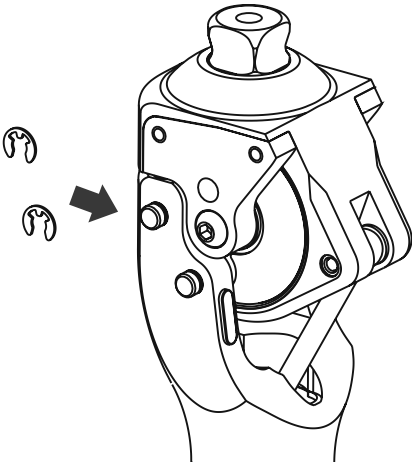


**!** Pass på at det ikke kommer noe smurning inn i bremsetrommelen. Det kan gjøre enheten ustabil.

14



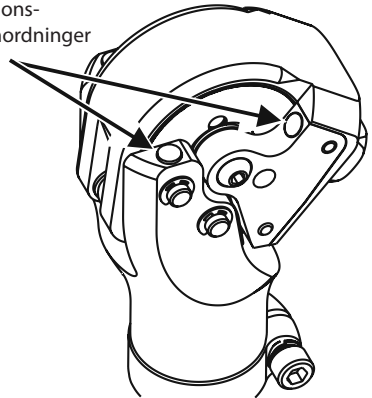
15



16

Bytt ut alle fire ekstensjons-  
stoppanordningene årlig.  
Sett med ekstensjons-  
stoppanordninger, delenr. 239453

Ekstensjons-  
stoppanordninger

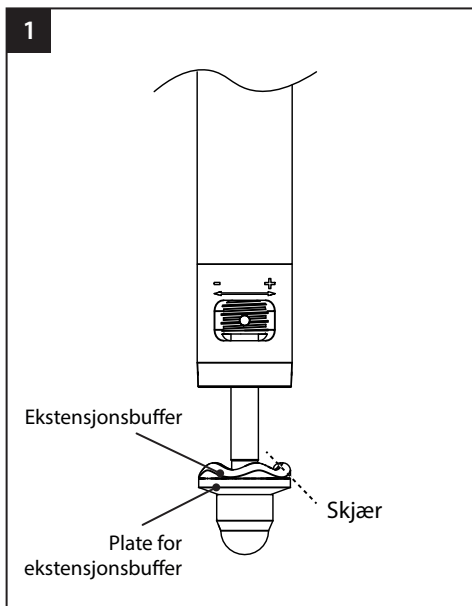


Etter vedlikehold er det viktig å sjekke stabilitetsjusteringen til brukeren. Se diagrammet i avsnittet Stabilitetsjustering og råd om innretting.

## 11 Vedlikehold av ekstensjonsbufferen

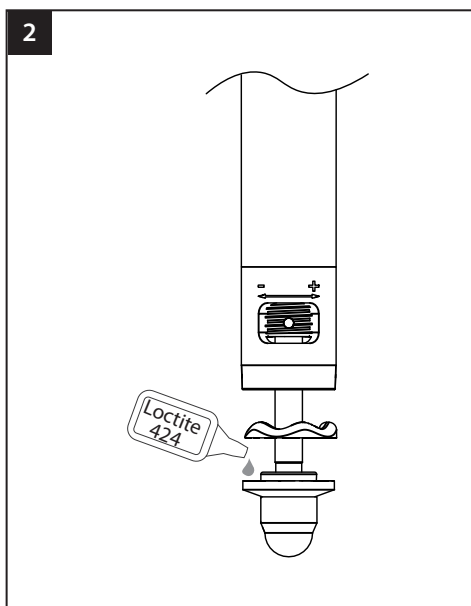
⚠️ Bruk passende HMS-utstyr til enhver tid, inkludert avtrekksanlegg.

⚠️ Vær alltid oppmerksom på at fingrene kan komme i klem.



Skjær vekk den gamle ekstensjonsbufferen med en kniv.

Rengjør toppen av platen for ekstensjonsbufferen med et passende løsemiddel.



Strekk den nye ekstensjonsbufferen over platen.

Fest ekstensjonsbufferen til platen med Loctite 424.

## 12 Problemer og løsninger

Symptom	Løsning
Mye lyd fra kneet.	Rengjør bremsebåndet og bremsetrommelen. Smør omdreiningsboltene. Se avsnitt 10 <i>Vedlikehold av stabiliseringsmekanismen</i> for fremgangsmåte.
Kneet stabiliserer ikke.	Sjekk stabilitetsjusteringen. Se avsnitt 8 <i>Stabilitetsjustering og råd om innretting</i> . Rengjør bremsetrommelen. Sjekk om bremsebeleggene er slitte, og bytt ut stabiliseringsmekanismen hvis bakkanten på bremsen er skadet. Se avsnitt 10 <i>Vedlikehold av stabiliseringsmekanismen</i> for fremgangsmåte.
Kneet utløses ikke.	Sjekk stabilitetsjusteringen. Se avsnitt 8 <i>Stabilitetsjustering og råd om innretting</i> .

## 13 Tekniske data

Temperaturområde for bruk og lagring: -15 °C til 50 °C

Komponentvekt: 580 g

Anbefalt aktivitetsnivå: 2

Maksimal brukervekt: 125 kg

Feste for proksimal innretting: roterende hannpyramide (Blatchford)

Distalt feste rørklemme med diameter på 30 mm (Blatchford)

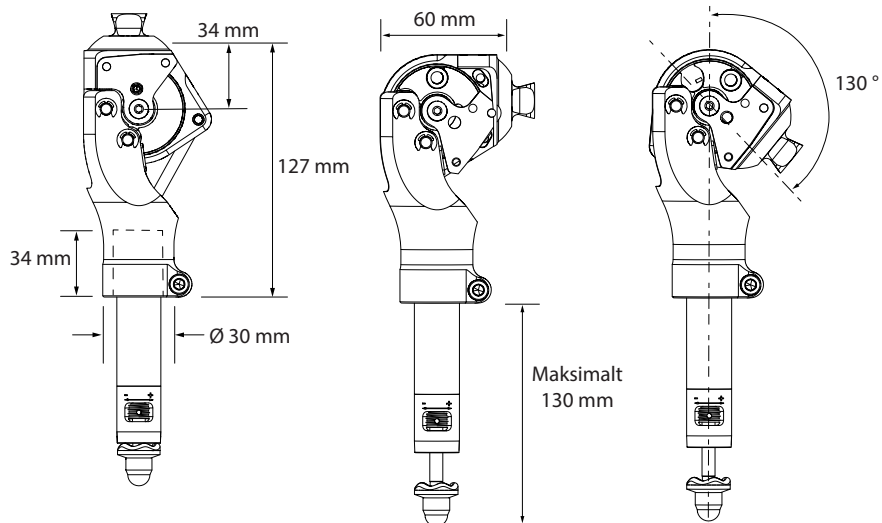
Bygghøyde: 127 mm

Proksimal pyramide til enden av distalrøret (+130 mm)

[Se *Passformlengde* på side 53]



## Passformlengde





## 14 Bestillingsinformasjon

### Bestillingseksempel

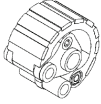


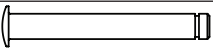

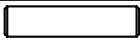


BMK2

### 14.1 Reservedeler


Sett med ekstensjonsstoppanordninger, 239453

Beskrivelse	Ant.	Illustrasjon
Ekstensjonsstoppanordning – BMK2	4	
Monteringsinstrukser	1	


## Sett for stabiliseringsmekanisme, 239553

Beskrivelse	Ant.	Illustrasjon
Kompakt stabiliseringsmekanisme	1	
Smussdeksel V	1	
Smussdeksel H	1	
Tverrbolt	2	
Ytre E-ring	2	
Innrettingsbolt	2	
Etikett med justeringsvarsel for BMK2	1	
Monteringsinstrukser	1	

### Ekstensjonsbuffer

Beskrivelse	Ant.	Delenummer	Illustrasjon
Ekstensjonsbuffer	1	B-0000021	

### Forbruksvarer

Beskrivelse	Ant.	Delenummer	Illustrasjon
Behandling med STP-olje	Etter behov	928105	
Loctite 222 gjengelåsing	Etter behov	926001	
Loctite 424 lim	Etter behov	926104	

## Erstatningsansvar

Produsenten anbefaler å bruke enheten kun under de angitte forholdene og til de tiltenkte formålene. Enheten må vedlikeholdes i henhold til bruksanvisningen som følger med enheten. Produsenten er ikke erstatningsansvarlig for skader forårsaket av komponentkombinasjoner som ikke er autorisert av dem.

## CE-samsvar

Dette produktet oppfyller kravene i forordning (EU) 2017/745 om medisinsk utstyr. Dette produktet er klassifisert som en klasse I-enhet i henhold til klassifiseringsreglene beskrevet i vedlegg VIII til forskriften. EU-samsvarserklæringen er tilgjengelig på følgende internettadresse: [www.blatchford.co.uk](http://www.blatchford.co.uk)



Medisinsk enhet



Enkelt pasient - flere bruksmåter

## Kompatibilitet

Bruk med andre Blatchford-merkede produkter er godkjent basert på testing utført i henhold til relevante standarder og direktivet for medisinsk utstyr, inkludert strukturell test, dimensjonell kompatibilitet og overvåket ytelse ved bruk.

Kombinasjon med alternative CE-merkede produkter må utføres på bakgrunn av en dokumentert lokal risikovurdering utført av en lege.

## Garanti

Denne enheten har en garanti på 24 måneder fra kjøpsdatoen med mindre annet er oppgitt. Den kompakte stabiliseringsmekanismen har en garanti på 12 måneder fra kjøpsdatoen med mindre annet er oppgitt. Slitasje på bremsebåndet er unntatt fra garantien. Brukeren må være klar over at endringer eller modifikasjoner som ikke uttrykkelig er godkjent, kan annullere garantien, driftslisensene og unntakene. Se nettstedet til Blatchford for gjeldende fullstendige garantierklæring, inkludert slitasje.

## Rapportering av alvorlige hendelser

Hvis det mot formodning skulle oppstå en alvorlig hendelse relatert til denne enheten, skal hendelsen rapporteres til produsenten og den relevante myndigheten i landet ditt.

## Miljøaspekter

Hvis det er mulig, skal delene resirkuleres i samsvar med lokale forskrifter for avfallshåndtering.

## Behold emballasjemerket

Det anbefales å oppbevare emballasjetiketten som en oppføring på den leverte enheten.

## Varemerkeanerkjennelser

Blatchford er et registrert varemerke for Blatchford Products Limited.

## Produsentens registrerte adresse

 Blatchford Products Limited, Lister Road, Basingstoke RG22 4AH, Storbritannia

Sisällys .....	56
1 Kuvaus ja käyttötarkoitus .....	57
2 Turvallisuustietoja .....	58
3 Rakenne .....	59
4 Toiminta .....	59
5 Huolto .....	60
6 Käyttöä koskevat rajoitukset .....	61
7 Linjaus työpenkillä .....	62
8 Linjausta koskevia ohjeita ja vakauden säätö .....	63
9 Dynaaminen linjaus .....	64
10 Stabilointimekanismin huolto .....	65
11 Ojennuksen rajoittimen huolto .....	69
12 Vianmääritys .....	70
13 Tekniset tiedot .....	70
14 Tilaustiedot .....	71
14.1 Varaosat .....	71

---

# 1 Kuvaus ja käyttötarkoitus

Nämä käyttöohjeet on tarkoitettu proteesiteknikolle.

Termiä *laite* käytetään näissä ohjeissa puhuttaessa BMK2-polvilaitteesta.

Varmista, että käyttäjä ymmärtää kaikki käyttöohjeet ja erityisesti kaikki huoltoon ja turvallisuuteen liittyvät ohjeet.

Käyttäjälle täytyy antaa kävelyopastusta ennen laitteen käyttöönottoa.

## Käyttö

Laite on tarkoitettu käytettäväksi vain osana alaraajaproteesia.

Laite on kompakti, kuormituksessa aktivoituva polvi, jossa ojennusta säädetään kartiojousella.

Tämä laite on tarkoitettu vain henkilökohtaiseen käyttöön.

## Ominaisuudet

- Kuormituksessa aktivoituva säädettävä tukivaiheen hallinta.
- Ojennuksen hallinta säädettävällä kartiojousella sekä tynkään kohdistuva iskun vaimennus.
- Maksimi koukistuskulma 130°

## Aktiivisuustaso

Tämä laite on tarkoitettu vain aktiivisuustason 1 ja 2 käyttäjille. Katso käyttäjän sallittu enimmäispaino kohdassa 13 *Tekniset tiedot*.

### Aktiivisuustaso 1

Pystyy käyttämään tai on mahdollisuus käyttää proteesia siirtymiseen tai liikkumiseen tasaisella pinnalla tasaiseen tahtiin. Tyypillistä rajallisesti ja rajoituksitta sisätiloissa liikkuvalla.

### Aktiivisuustaso 2

Pystyy liikkumaan tai on mahdollisuus liikkua ja pystyy ylittämään matalia esteitä, kuten reunakiveyksiä, portaita tai epätasaisia pintoja. Tyypillistä rajallisesti ulkona liikkuvalla.

### Aktiivisuustaso 3

Pystyy liikkumaan tai on mahdollisuus liikkua vaihtelevaan tahtiin. Tyypillistä ulkona liikkuvalla, joka pystyy ylittämään useimmat esteet ja jolla on työhön, terapiaan tai liikuntaan liittyvää toimintaa, joka vaatii proteesilta yksinkertaista liikettä enemmän.

### Aktiivisuustaso 4

Pystyy liikkumaan tai on mahdollisuus liikkua proteesilla perusliikkumistaitoja vaativammin, sisältäen iskuja, räsitusta ja voimaa. Tyypillinen vaatimus lasten, aktiivisten aikuisten ja urheilijoiden proteesilta.

## Vasta-aiheet

Tämä laite ei sovi henkilöille, joilla on

- äärimmäistä lihasheikkoutta amputaatiotyngässä, jäykistymiä, joita ei voi mukauttaa oikein, tai asento- ja liikeaistiin liittyvää toimintahäiriötä, kuten heikko tasapaino
- vastapuoleisen nivelen epävakautta tai poikkeavuutta
- monimutkaisia ongelmia, joihin liittyy useita toiminnanvajeita
- tarve polven taipumiseen portaita alas kuljettaessa tai istumaan laskeuduttaessa, mukaan lukien henkilöt, joilla on molemminpuolinen transfemoraalinen amputaatio. Tämä voi johtaa jarrumeکانismin rikkoontumiseen, mikä puolestaan voi vaikuttaa haitallisesti vakauteen ja keston.

## Kliiniset hyödyt

- Stabiloiva polvi aktivoituu tasaisesti kuormituksessa antaen varmuutta seisomiseen ja epätasaisella alustalla liikkumiseen. Tämän jälkeen se vapautuu ongelmitta varvastyönnössä.
- Stabilointimeکانismin kimmoisuuden ansiosta tukivaiheen koukistus on rajallista, mikä vähentää tärähdystä kantauskulla.

## 2 Turvallisuustietoja



Tällä varoitusmerkillä tuodaan esille tärkeitä turvallisuuteen liittyviä tietoja, joita täytyy noudattaa huolellisesti.



Kaikista proteesin toimintaan tai toimivuuteen liittyvistä muutoksista, kuten rajoittuneesta tai takeltelevasta liikkeestä tai poikkeavista äänistä, tulee ilmoittaa välittömästi laitevalmistajalle. Lopussa tapahtuvan heilahdusvaiheen aikana juuri ennen kantauskua ojennusavustimesta saattaa kuulua ääntä raajan ojentuessa suoraksi.



Pidä aina kiinni kaiteesta, kun kuljet alas portaita ja myös muulloin, jos mahdollista.

Vältettävä altistumista ääriämpötiloille.



Laitetta ei ole tarkoitettu käytettäväksi vedessä tai suihkussa. Jos se joutuu kosketukseen veden kanssa, pyyhi se välittömästi kuivaksi.



Laite ei sovellu vaativaan urheiluun, juoksemiseen tai kilpa-ajoon polkupyörällä, jää- ja lumiurheilulajeihin sekä jyrkissä rinteissä tai jyrkissä portaissa liikkumiseen. Tällaisiin aktiviteetteihin ryhtyminen on täysin käyttäjän omalla vastuulla.



Vain pätevä proteesitekniikko saa koota, huoltaa ja korjata laitetta.



Laitetta huollettaessa täytyy varmistaa, että jarrurummussa ei ole rasvaa.



Autoa ajettaessa on varmistettava, että asianmukaiset varusteet on asennettu. Jokaisen täytyy noudattaa paikallisia liikennelakeja moottoriajoneuvoilla ajettaessa.



Käyttäjä ei itse saa säätää tai muuttaa laitteen asetuksia.



Käyttäjää tulee neuvota ottamaan yhteyttä proteesitekniikkoon, jos hänen tilaansa tulee muutoksia.



Varo sormien juuttumista.



Kaikki linjauksen jälkeen tehdyt suuret muutokset kantapään korkeudessa voivat heikentää raajan toimintaa.

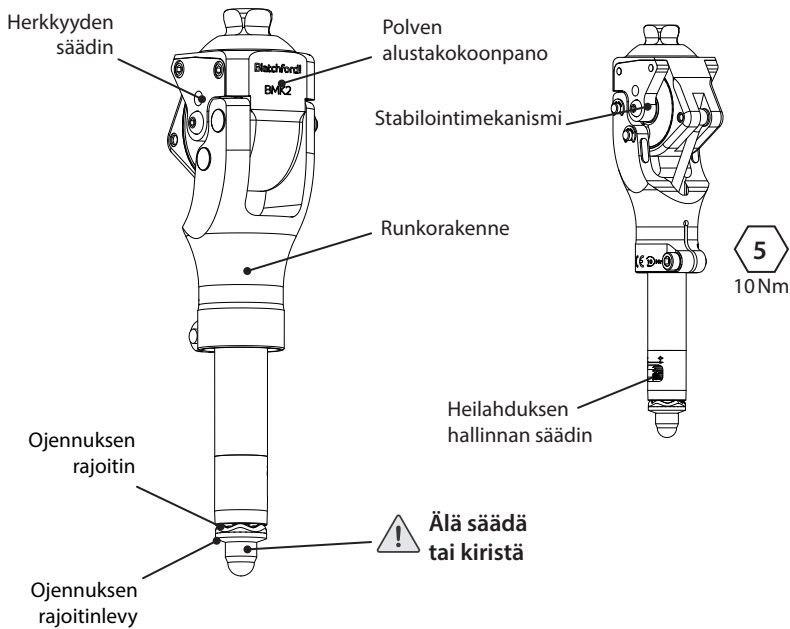
## 3 Rakenne

### Tärkeimmät osat

- Runkorakenne (alumiini, ruostumaton teräs, polyuretaani, huopa)
- Polven alustakokoonpano (alumiini, ruostumaton teräs)
- Stabilointimekanismi (alumiini, pronssi, asetaali-homopolymeeri, polyuretaani, synteettinen kumi)

Huomautus... Stabilointimekanismissa oleva kitkamateriaali ei sisällä asbestia.

### Osien kuvaus



## 4 Toiminta

Polvilaite aktivoituu kuormituksessa, ja herkkyyttä voi säätää käyttäjän tarvitseman vakauden mukaisesti.

Heilahduksen hallintaa voi säätää muuttamalla kantapään nousua ja ojennusta ohjaavan jousen kasaan painumista.

Koukistus tapahtuu tukivaiheessa, kun jarruvannemekanismin kimmoisuus aktivoi jarrun.

## 5 Huolto

Huoltotoimenpiteet saa tehdä vain pätevä ammattihenkilö.

On suositeltavaa, että seuraavat huoltotoimenpiteet tehdään vuosittain:

- Tarkista kaikkien ruuvien, paitsi säätöruuvien, kireys (katso kohta Rakenne) (ÄLÄ kiristä distaalipäässä olevaa peitettyä mutteria).
- Puhdista jarrupala ja vaihda ojennuksen pysäyttimet (katso ohjeet kohdasta 10 *Stabilointimekanismin huolto*).
- Jos kuuluu poikkeavaa ääntä, kuten narinaa tai kitinää, ja/tai vakaus on heikentynyt, stabilointimekanismi täytyy huoltaa, katso kohta 10 *Stabilointimekanismin huolto*. Jos ääni kuuluu huollon jälkeen, ota yhteyttä Blatchford-edustajaan.
- Ojennuksen rajoittimen normaali kuluminen on hyväksyttävää. Jos raajan ollessa täysin ojennettuna kuuluu voimakasta ääntä, vaihda ojennuksen rajoitin. Katso kohta 11 *Ojennuksen rajoittimen huolto*.
- Tarkista, onko alustassa liiallista väljyyttä mediaali-lateraalisuunnassa.
- Jos jarruvanteen takareuna on kulunut muoviin asti, vaihda koko jarruvanne. (Huomautus: jarrupaloja ei voi vaihtaa yksittäin.)
- Varmista, että asennat jarruvanteen oikein päin. Tarkista vakaus aina ennen käyttöä.

Käyttäjälle täytyy antaa toimituksen mukana tuleva Käyttäjän opas, ja häntä täytyy neuvoa kertomaan proteesiteknikolle seuraavista:

- muutokset painossa tai aktiivisuustasossa
- kaikki tämän laitteen toiminnassa esiintyvät muutokset.

Toimintaan liittyviä muutoksia ovat mm. seuraavat:

- rajoittunut heilahdus
- muutokset heilahduksen tasaisuudessa
- heikentynyt tuki tukivaiheessa
- poikkeavat äänet

### Puhdistus

Puhdista ulkopinnat kostealla liinalla ja miedolla saippualla. ÄLÄ käytä voimakkaita puhdistusaineita. Kuivaa huolellisesti ennen käyttöä.



## 6 Käyttöä koskevat rajoitukset

### Kestoikä

Laitteen takuu on voimassa ilmoitetun takuuajan. Toiminnan ja käytön perusteella täytyy tehdä paikallinen riskiarviointi.

### Kantokyky

Käyttäjän painolle ja toiminnalle on asetettu raja-arvot.

Käyttäjän kokonaispainon tulee perustua paikalliseen riskiarviointiin.

Huomautus... Laitte aktivoituu kuormituksessa ja taakan kantaminen voi saada tukivaiheen kytkeytymään päälle helpommin.

### Ympäristö

Vältä altistamasta laitetta syövyttävillä aineilla, kuten vedelle, hapoille ja muille nesteille.



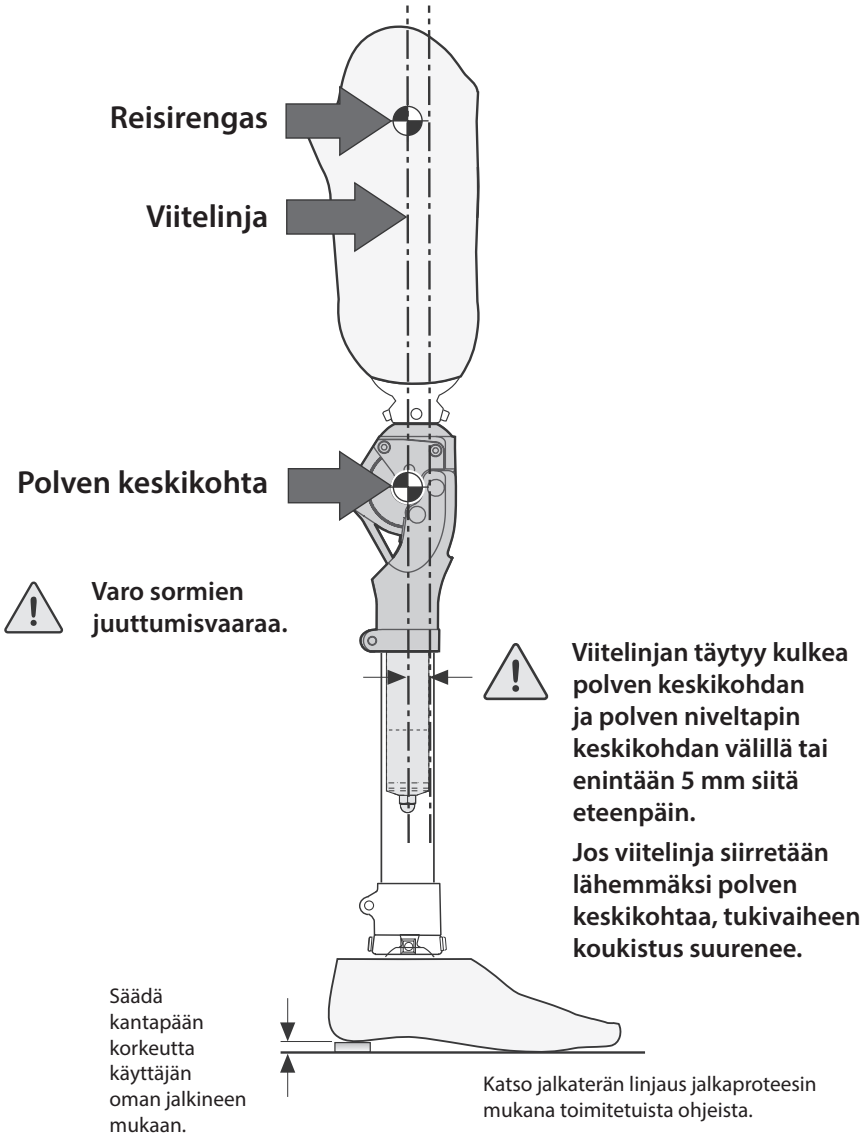
Soveltuu ulkokäyttöön

Vältä hankaavia materiaaleja, kuten hiekkaa, sisältäviä ympäristöjä, koska ne voivat aiheuttaa ennenaikaista kulumista.

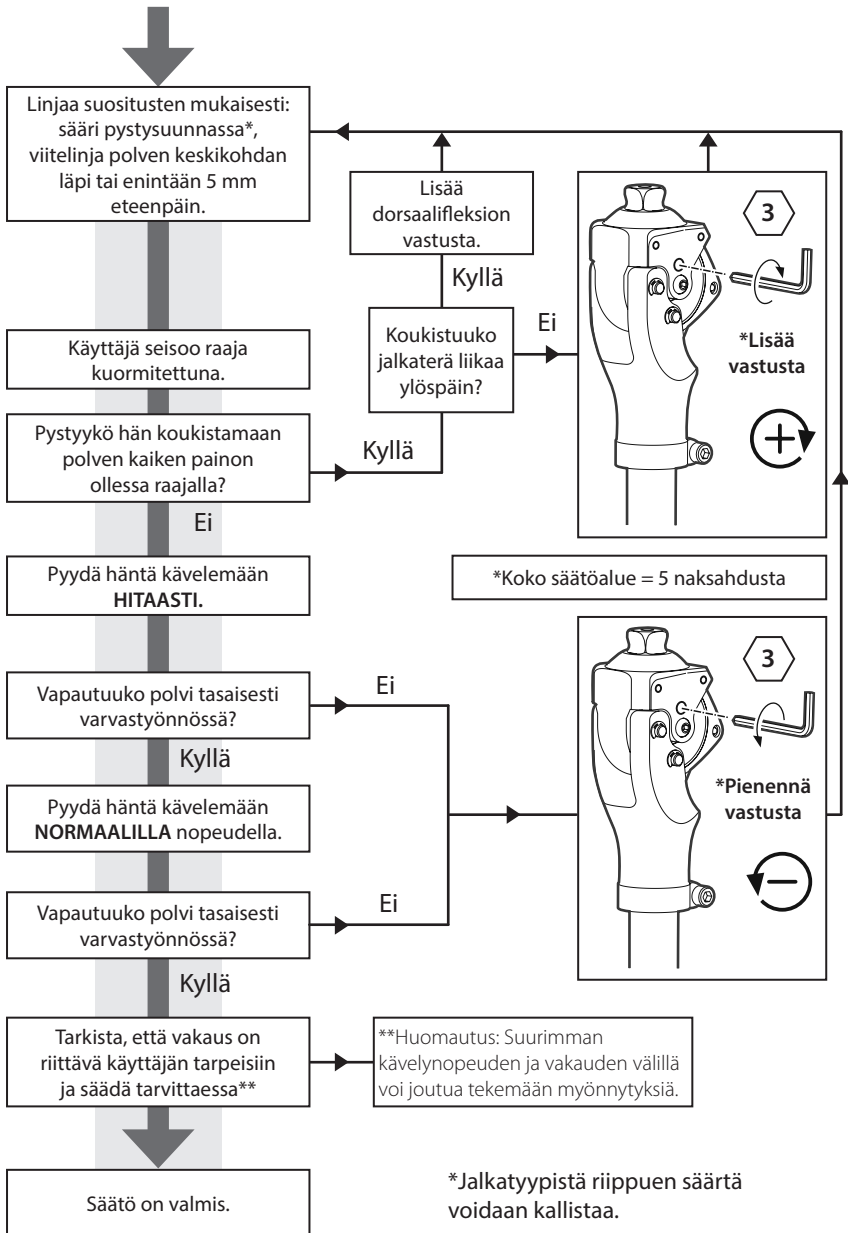
Sallittu käyttölämpötila -15–50 °C.

## 7 Linjaus työpenkillä

Kun proteesi linjataan käyttöön laitteen kanssa, viitelinjan sijainti on ratkaisevan tärkeä. Polvilaite tulee linjata niin, että se on geometrisesti vakaa. Kun koukistus on säädetty sopivaksi holkissa, viitelinjan tulisi kulkea reisirenkaan ja polven keskikohtan halki tai samansuuntaisesti tämän kanssa ja enintään 5 mm polven keskikohtasta eteenpäin.



## 8 Linjausta koskevia ohjeita ja vakauden säätö

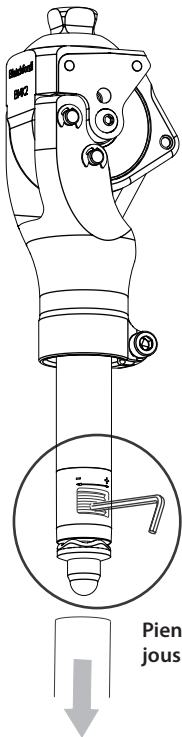


## 9 Dynaaminen linjaus

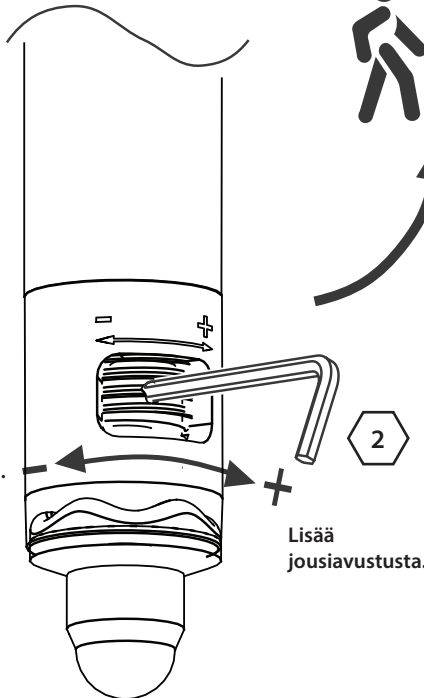
### Heilahduksen hallinnan säätö (kartiojousen ojennus)

Huomautus: Jos säätö tehdään käsin, tynkään kohdistuvan iskun vaimennus voi tuntua välittömästi ennen aivan suoraksi ojennusta, mikä on normaalia.

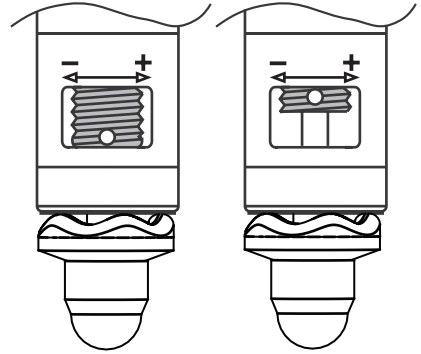
Tilanne	Ratkaisu
Kantapää nousee liian korkealle heilahduksen aikana, tai laite ei ojennu täysin heilahduksen aikana.	Lisää jousiavustusta.
Kantapää ei nouse riittävästi heilahduksen aikana, tai käyttäjä tuntee tynkään kohdistuvan iskun.	Pienennä jousiavustusta.



Pienennä jousiavustusta.



Lisää jousiavustusta.



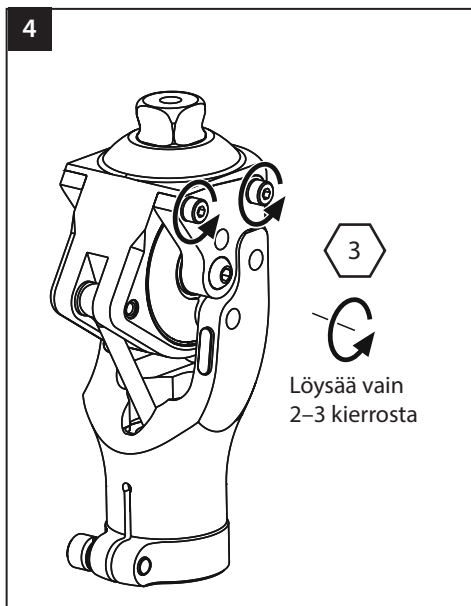
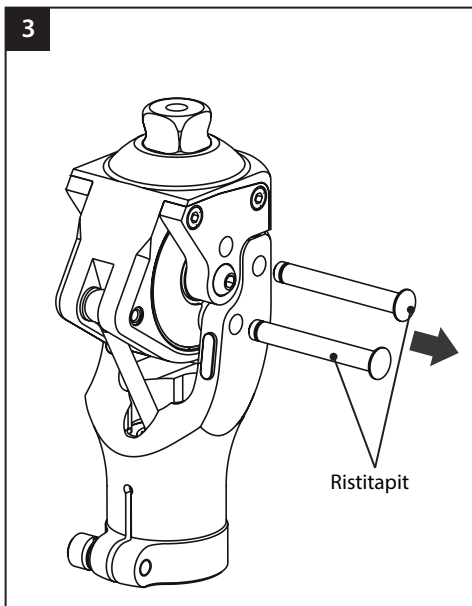
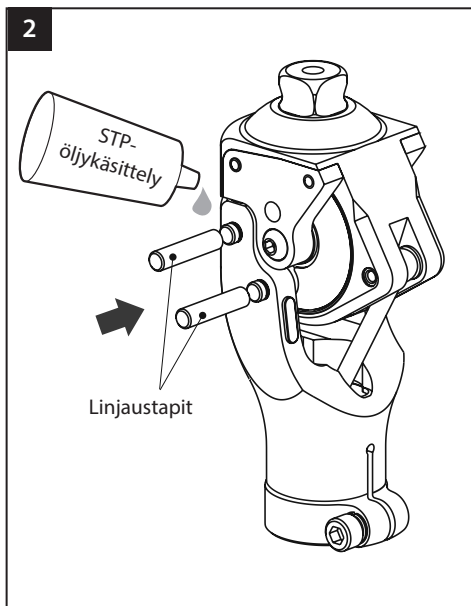
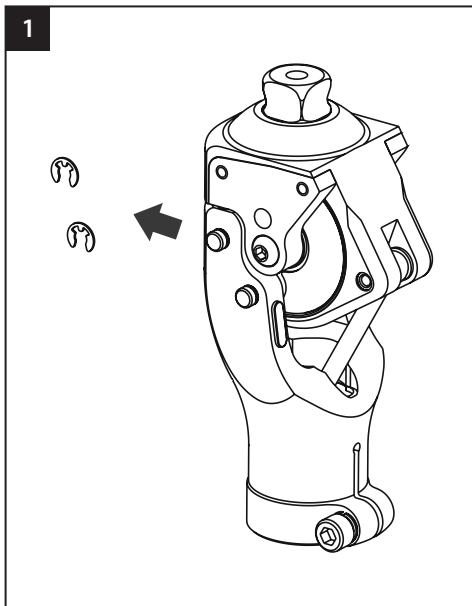
## 10 Stabilointimekanismin huolto

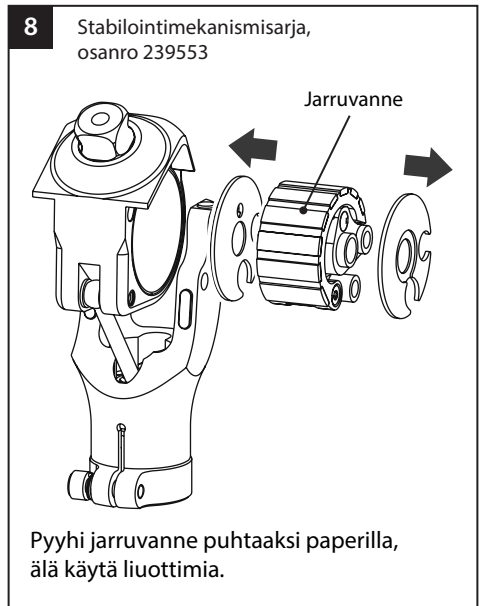
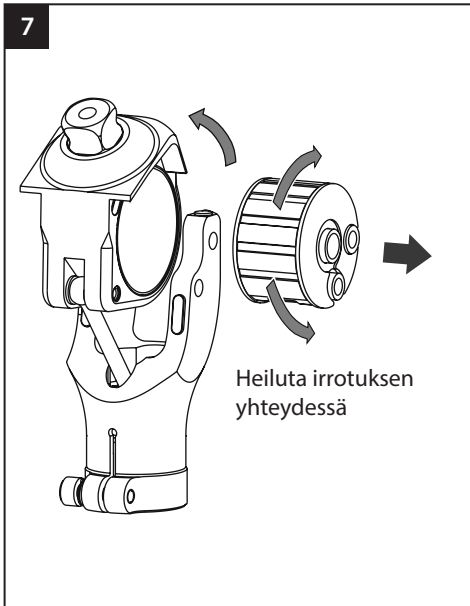
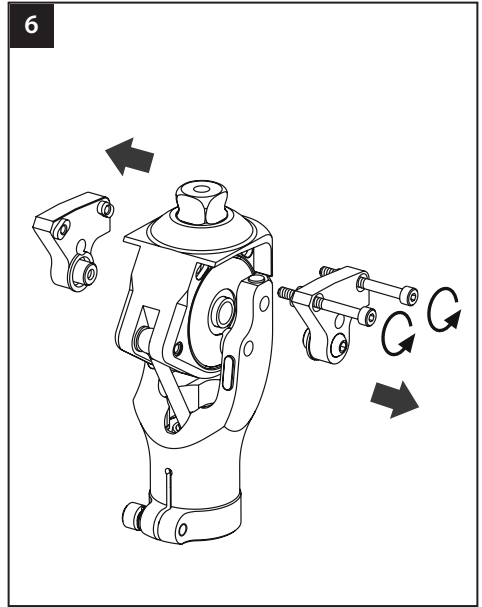
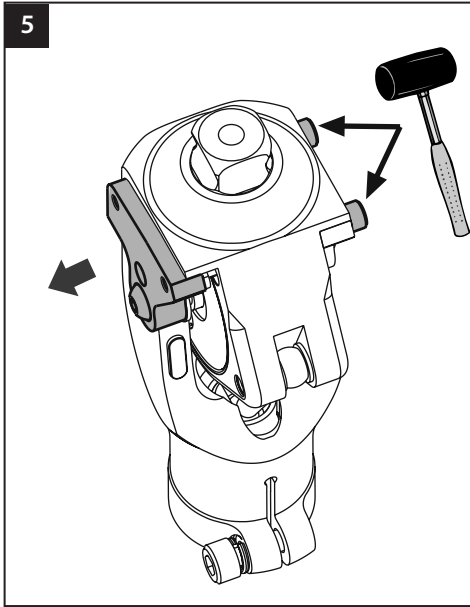


Käytä aina asianmukaisia suojaruosteita ja sopivia proteesin irrotusvälineitä.



Varo sormien juuttumista.





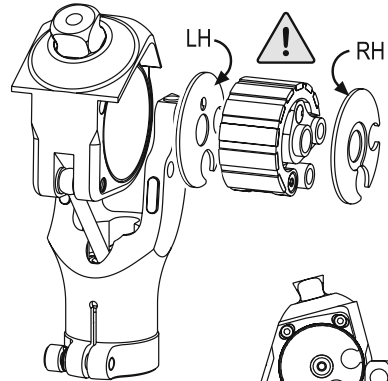
9

Puhdista reikä sopivalla liuottimella.

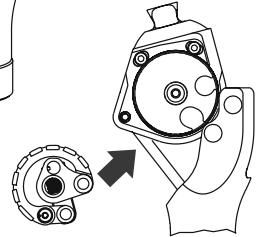


10

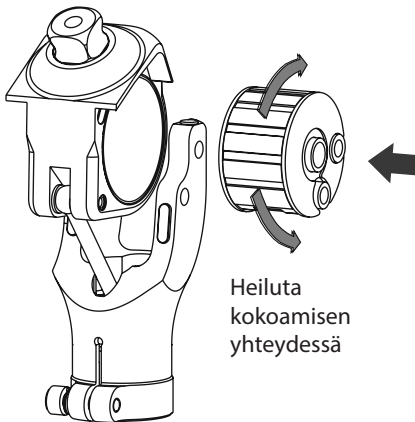
Uudelleen kokoaminen



Huomioi mekanismin asento

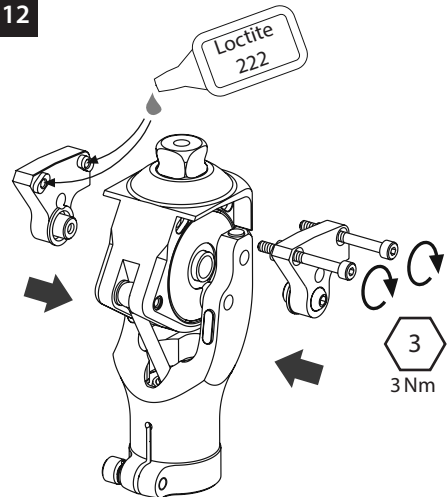


11



Heiluta  
kokoamisen  
yhteydessä

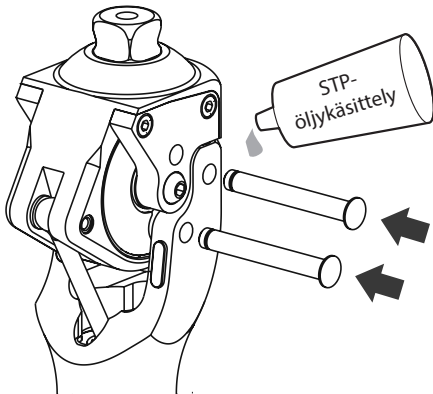
12



3  
3 Nm

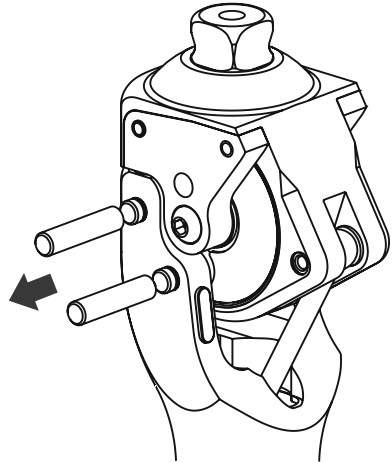
13

Laita ristitappeihin ohut kerros voiteluainetta (osanumero 928105).

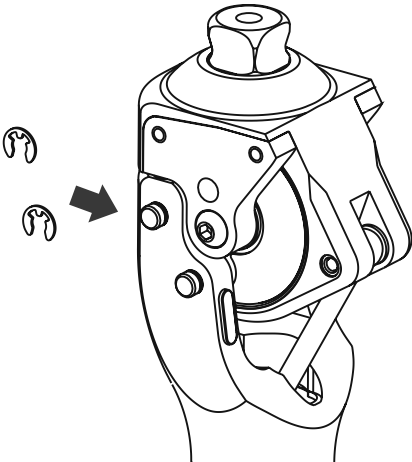


Varmista, että jarrurumpuun ei vuoda voiteluainetta. Muutoin laite saattaa muuttua epävakaaiksi.

14



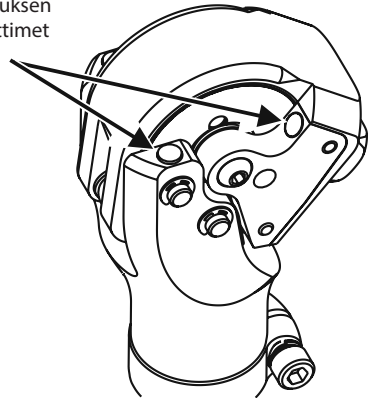
15



16

Vaihda kaikki neljä ojennuksen pysäytintä vuosittain. Ojennuksen pysäytinsarja, osanumero 239453.

Ojennuksen  
pysäyttimet



On tärkeää tarkistaa käyttäjän vakauden säätö huollon jälkeen.  
Katso vuokaavio kohdassa Linjausta koskevia ohjeita ja vakauden säätö.



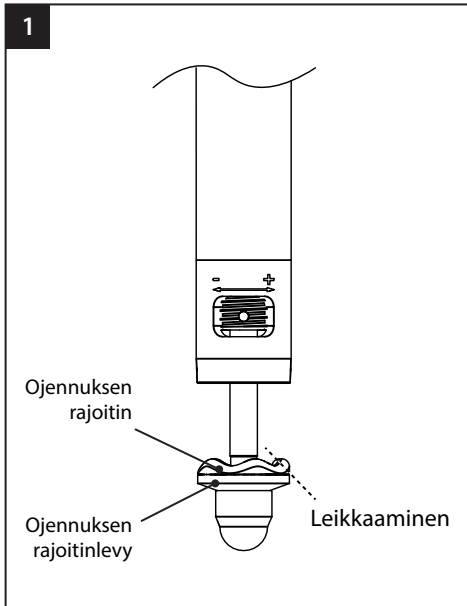
# 11 Ojennuksen rajoittimen huolto



Käytä aina asianmukaisia suojavarusteita ja sopivia proteesin irrotusvälineitä.

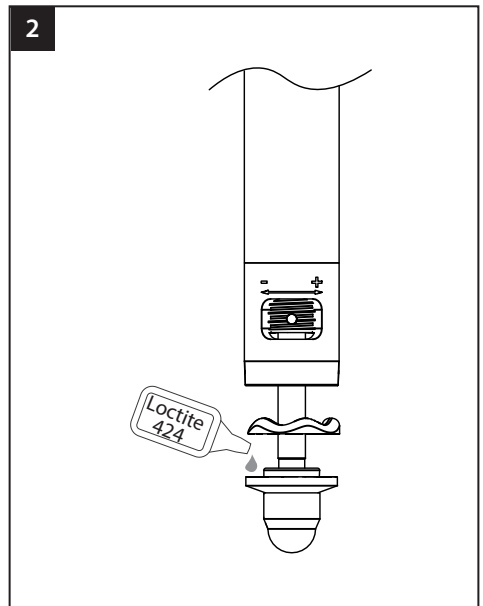


Varo sormien juuttumista.



Leikkaa vanha ojennuksen rajoitin veitsellä ja poista se.

Puhdista ojennuksen rajoittimen yläpinta sopivalla liuottimella.



Venytä uusi ojennuksen rajoitin ojennuksen rajoitinlevyn päälle.

Kiinnitä ojennuksen rajoitin ojennuksen rajoitinlevyyn Loctite 424 -kierrelukitteella.

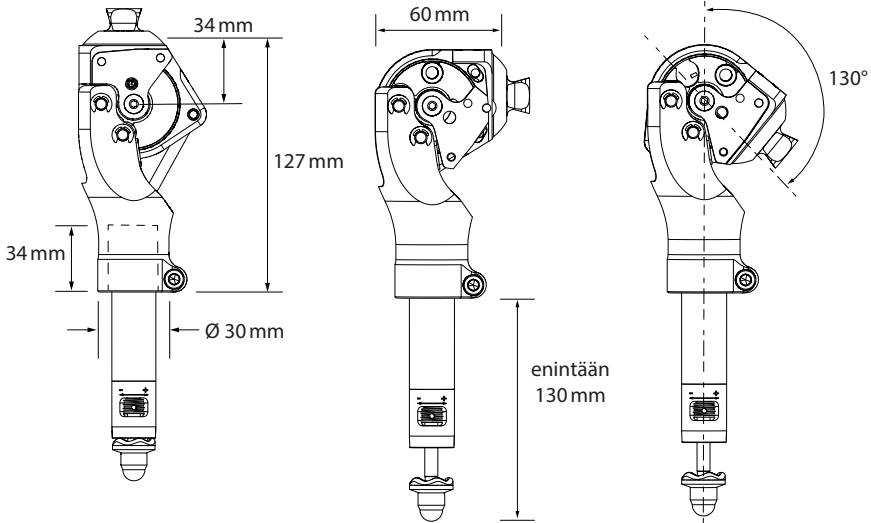
## 12 Vianmääritys

Ongelma	Ratkaisu
Polvesta kuuluu liiallista ääntä.	Puhdista jarruvanne ja jarrurumpu. Laite niveltappiin voiteluainetta. Katso ohjeet kohdasta 10 <i>Stabilointimekanismin huolto</i> .
Polvi ei stabiloidu	Tarkista vakauden säätö. Katso kohta 8 <i>Linjausta koskevia ohjeita ja vakauden säätö</i> Puhdista jarrurumpu. Tarkista, ovatko jarrupalat kuluneet ja vaihda stabilointimekanismi, jos jarrun takareuna on vahingoittunut. Katso ohjeet kohdasta 10 <i>Stabilointimekanismin huolto</i> .
Polvi ei vapaudu	Tarkista vakauden säätö. Katso kohta 8 <i>Linjausta koskevia ohjeita ja vakauden säätö</i>

## 13 Tekniset tiedot

Käyttö- ja säilytyslämpötila-alue:	-15–50°C
Paino:	580 g
Suosittelava aktiivisuustaso:	2
Suurin sallittu käyttäjän paino:	125 kg
Proksimaalinen kiinnitys:	Pyörivä urospyramidi (Blatchford)
Distaalikiinnitys	putkenkiristin, halkaisija 30 mm (Blatchford)
Rakenteen korkeus:	127 mm
Proksimaalisen pyramidin ja distaalin putken pään välinen etäisyys	(+130 mm)
[katso kohta <i>Sovituspituus</i> , sivulla 71]	

## Sovituspituus





## 14 Tilaustiedot

### Tilaukesimerkki

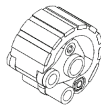


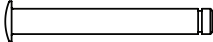




BMK2

### 14.1 Varaosat


#### Ojennuksen pysäytinsarja 239453

Kuvaus	lkm	Kuva
Ojennuksen pysäytin – BMK2	4	
Sovitusohjeet	1	


## Stabilointimekanismisarja 239553

Kuvaus	lkm	Kuva
Kompakti stabilointimekanismi	1	
Pölysuoja V	1	
Pölysuoja O	1	
Ristitappi	2	
Pidikkeen ulkorengas	2	
Linjaustappi	2	
BMK2:n säätöä koskeva varoitustarra	1	
Sovitusohjeet	1	

### Ojennuksen rajoitin

Kuvaus	lkm	Osanumero	Kuva
Ojennuksen rajoitin	1	B-0000021	

### Kulutusosat

Kuvaus	lkm	Osanumero	Kuva
STP-öljykäsittely	Tarvittaessa	928105	
Loctite 222 -kierrelukite	Tarvittaessa	926001	
Loctite 424 -tartunta-aine	Tarvittaessa	926104	

## Vastuu

Valmistaja suosittelee, että laitetta käytetään ainoastaan ilmoitetuissa olosuhteissa ja aiottuun käyttötarkoitukseen. Laitetta täytyy huoltaa laitteen mukana toimitettujen käyttöohjeiden mukaisesti. Valmistaja ei ole vastuussa mistään haitallisista seuraamuksista, jotka johtuvat sellaisten osakokoonpanojen käytöstä, joita valmistaja ei ole hyväksynyt.

## CE-vaatimustenmukaisuus

Tämä tuote täyttää lääkinnällisistä laitteista annetun Euroopan unionin säädöksen 2017/745 vaatimukset. Tämä tuote on luokiteltu luokan I tuotteeksi kyseisen säädöksen liitteen VIII luokituskriteerien mukaisesti. Todistus EU:n vaatimustenmukaisuusvakuutuksesta löytyy osoitteesta: [www.blatchford.co.uk](http://www.blatchford.co.uk)



Lääkinnällinen laite



Yhdelle potilaalle, kestävä käyttöinen

## Yhteensopivuus

Blatchfordin omien tuotteiden käyttö on hyväksytty edellyttäen että ne on testattu asiaankuuluvien standardien ja MDR-asetuksen mukaisesti käsittäen myös rakenteellisen testin, mittojen yhteensopivuuden ja valvotun kenttätoimivuuden.

Vaihtoehtoisia CE-merkittyjä tuotteita käytettäessä täytyy ottaa huomioon proteesitekniikan tekemä dokumentoitu paikallinen riskiarviointi.

## Takuu

Tällä laitteella on 24 kuukauden takuu alkuperäisestä ostopäiväyksestä lukien, ellei toisin mainita. Kompaktilla stabilointimekanismilla on 12 kuukauden takuu alkuperäisestä ostopäiväyksestä lukien, ellei toisin mainita. Jarruvanteen normaali kuluminen ei kuulu takuun piiriin. Käyttäjän tulee olla tietoinen siitä, että takuu, käyttölupa ja erityisluvat voidaan mitätöidä, jos laitteeseen tehdään muutoksia tai muunnoksia, joita ei ole erikseen hyväksytty. Tämänhetkiset täydelliset takutiedot löytyvät Blatchfordin verkkosivustolta.

## Vakavista tapahtumista ilmoittaminen

Jos tähän laitteeseen liittyvä vakava tapahtuma sattuu (mikä on hyvin epätodennäköistä), asiasta tulee ilmoittaa valmistajalle ja kansalliselle toimivaltaiselle viranomaiselle.

## Ympäristötiedot

Osat tulee kierrättää, mikäli mahdollista, paikallisten jätehuoltomääräysten mukaisesti.

## Pakkausetiketin säilyttäminen

On suositeltavaa, että säilytät pakkausetiketin tiedoksi tulevan varalle.

## Tavaramerkejä koskevat tiedot

Blatchford on Blatchford Products Limitedin rekisteröity tavaramerkki.

## Valmistajan rekisteröity osoite

 Blatchford Products Limited, Lister Road, Basingstoke RG22 4AH, Iso-Britannia.

Innehåll .....	74
1 Beskrivning och avsett syfte.....	75
2 Säkerhetsinformation .....	76
3 Konstruktion .....	77
4 Funktion.....	77
5 Underhåll.....	78
6 Begränsningar av användningen .....	79
7 Inriktning på arbetsbänken.....	80
8 Inriktningsråd och stabilitetsjustering .....	81
9 Dynamisk inriktning .....	82
10 Underhåll av stabiliseringsmekanismen.....	83
11 Underhåll av extensionsbufferten .....	87
12 Felsökning.....	88
13 Tekniska uppgifter .....	88
14 Beställningsinformation .....	89
14.1 Reservdelar .....	89

# 1 Beskrivning och avsett syfte

Dessa instruktioner är avsedda för den kliniska personalen/läkaren.

Termen *enhet* används i hela denna bruksanvisning för att referera till BMK2-knäet.

Se till att brukaren har förstått alla bruksanvisningar och särskilt informationen om underhåll och säkerhet.

Brukaren måste få gångträning innan hen kan använda enheten.

## Användningssätt

Denna enhet får endast användas som en del av en underbensprotes.

Enheten är ett kompakt viktaktiverat knä med justerbar fjäderextensionssnedhet.

Enheten är avsedd för en enskild brukare.

## Funktioner

- Viktaktiverad justerbar hållningskontroll
- Justerbar extensionssnedhetskontroll med inbyggd slutlig stötdämpning
- Maximal flexionsvinkel 130°

## Aktivitetsnivå

Den här enheten är endast avsedd för brukare på aktivitetsnivå 1 och 2. För information om maximal brukarvikt, se avsnitt 13 *Tekniska uppgifter*.

### Aktivitetsnivå 1

Har förmåga eller potential att använda protes för förflyttning eller rörlighet på plana ytor i jämn takt. Typiskt för en patient som rör sig begränsat eller obegränsat i hemmet.

### Aktivitetsnivå 2

Har förmåga eller potential att förflytta sig förbi låga hinder i miljön som trottoarkanter, trappor eller ojämna ytor. Typiskt för en patient som rör sig begränsat ute i samhället.

### Aktivitetsnivå 3

Har förmåga eller potential att förflytta sig i variabel takt. Typiskt för en person som har förmåga att ta sig förbi de flesta hinder i miljön och som kan bedriva yrkesmässig, terapeutisk eller motionsinriktad aktivitet som kräver att protesen kan användas för mer än bara enkel förflyttning.

### Aktivitetsnivå 4

Har förmåga eller potential att förflytta sig med hjälp av en protes som överskrider den grundläggande rörelseförmågan och har höga stöt-, belastnings- eller energinivåer. Typiskt för behovet av protes hos ett barn, en aktiv vuxen eller en idrottsman.

## Kontraindikationer

Den här enheten är inte lämplig för brukare med:

- Extrem muskelsvaghet, kontrakturer som inte kan ges korrekt utrymme eller proprioceptiv dysfunktion inklusive dålig balans.
- Instabilitet eller patologi i det kontralaterala benet.
- Komplicerade tillstånd med flera funktionshinder.
- Brukare, inklusive personer med bilaterala transfemorala amputationer, som behöver en eftergivlig funktion i knäet för att gå nedför trappor eller sätta sig. Detta kan leda till skador på bromsmekanismen som kan påverka stabiliteten och hållbarheten negativt.

## Klinisk nytta

- Knäets stabilisering aktiveras smidigt vid viktbelastning för att ge säkerhet när brukaren står eller går på ojämn mark. Den släpper sedan smidigt när tårna lyfts.
- Stabiliseringsmekanismens fjädrande verkan ger begränsad flexion i stående ställning, vilket minskar stöten vid hälisättningen.

---

## 2 Säkerhetsinformation



Denna varningssymbol visas vid viktig säkerhetsinformation som måste följas noggrant.



Eventuella förändringar i extremitetens prestanda eller funktion, t.ex. begränsade rörelser, osmidig rörelse eller ovanliga ljud, ska omedelbart rapporteras till serviceleverantören. Under den sista svängningen omedelbart före hälisättning kan ett visst ljud höras på grund av att förlängningen hjälper benet att nå full extension.



Använd alltid ett räcke när du går nedför trappor och vid andra tillfällen om det finns något.

Undvik exponering för extrem värme och/eller kyla.



Enheten är inte avsedd att användas i vatten eller som duschprotos. Torka omedelbart om knäet kommer i kontakt med vatten.



Enheten är inte lämplig för extremsport, löpnings- eller cykeltävlingar, is- och snösporter eller i extrema sluttningar eller trappor. Alla sådana aktiviteter utförs helt och hållet på brukarens egen risk.



Montering, underhåll och reparation av enheten får endast utföras av klinisk personal med lämpliga kvalifikationer.



Se till att det inte finns fett i bromstrumman när service utförs på enheten.



Se till att endast lämpliga, specialutrustade fordon används vid körning. Alla måste följa sina respektive trafiklagar vid framförande av motorfordon.



Brukaren får inte justera eller manipulera enhetens inställningar.



Brukaren rekommenderas att kontakta sin läkare om tillståndet förändras.



Var alltid medveten om risken för att fingrarna kommer i kläm.



Om hälhöjden ändras för mycket efter att inriktningen har slutförts kan extremitetens funktion påverkas negativt.



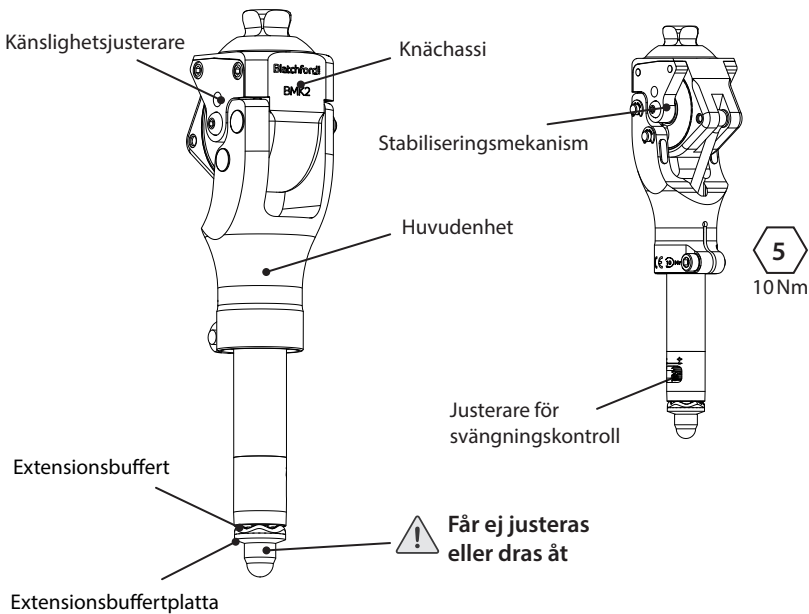
## 3 Konstruktion

### Huvuddelar

- Huvudenhet (aluminium, rostfritt stål, polyuretan, filt)
- Knächassi (aluminium, rostfritt stål)
- Stabiliseringsmekanism (aluminium/brons/acetalhomopolymer/polyuretan/syntetiskt gummi)

Obs! Friktionsmaterialet i stabiliseringsmekanismen innehåller ingen asbest.

### Identifiering av komponenter



## 4 Funktion

Knäet är viktaktiverat och känsligheten kan anpassas för att passa brukarens behov av stabilitet. Svängningskontroll kan justeras genom att ändra kompressionen på en spiralfjäder som styr hälhöjning och extensionsnedhet.

Enheten ger stansflexion under aktivering av bromsen tack vare bromsbandsmekanismens motståndskraft.

---

## 5 Underhåll

Underhåll måste utföras av kompetent personal.

Det rekommenderas att följande underhåll utförs varje år:

- Kontrollera att alla skruvar utom på justeraren är åtdragna (se avsnittet Konstruktion) (dra INTE åt den täckta muttern i den distala änden).
- Rengör bromsbelägget och byt ut extensionsstoppen (se avsnitt 10 *Underhåll av stabiliseringsmekanismen* för instruktioner).
- Om oväntade ljud som gnissel och knarr och/eller minskad stabilitet förekommer, utför underhåll av stabiliseringsmekanismen, se avsnitt 10 *Underhåll av stabiliseringsmekanismen*. Kontakta din Blatchford-representant om ljuden kvarstår.
- Slitage på extensionsbufferten är acceptabelt. Om kraftiga ljud förekommer vid full extension ska extensionsbufferten bytas ut. Se avsnitt 11 *Underhåll av extensionsbufferten*.
- Kontrollera om omfattande mediolateralt glapp förekommer i chassit.
- Om bromsbandsplattans bakre kant är nedsliten till plasten på bromsbandet ska hela bromsbandet bytas ut. (Obs! Det går inte att byta ut enskilda plattor.)
- Se till att bromsbandets orientering är korrekt vid återmonteringen. Kontrollera alltid stabiliteten före användning.

Brukaren måste få den medföljande användarhandboken och uppmanas att rapportera följande till läkaren:

- Eventuella förändringar av kroppsvikt eller aktivitetsnivå
- Eventuella förändringar av enhetens prestanda

Förändringar av prestandan kan omfatta:

- Begränsad svängning
- Förändringar av svängningens smidighet
- Minskad stabilitet vid stående
- Ovanliga ljud

### Rengöring

Använd en fuktig trasa och mild tvål för att rengöra utsidan. Använd INTE starka rengöringsmedel. Torka noggrant före användning.

## 6 Begränsningar av användningen

### Avsedd livslängd

Garantiperioden täcker hela produktens livslängd – en lokal riskbedömning bör göras baserat på aktivitet och användning.

### Lyft av laster

Brukarens vikt och aktivitet styrs av de angivna gränserna.

Den belastning som brukaren transporterar ska baseras på en lokal riskbedömning.

Obs! Enheten är viktaktiverad och att bära laster kan göra att stödet för stående ställning lättare aktiveras.

### Miljö

Undvik att utsätta enheten för korroderande ämnen som vatten, syror och andra vätskor. Undvik också nötande miljöer som t.ex. sandhaltiga, eftersom dessa kan orsaka förtida slitage.

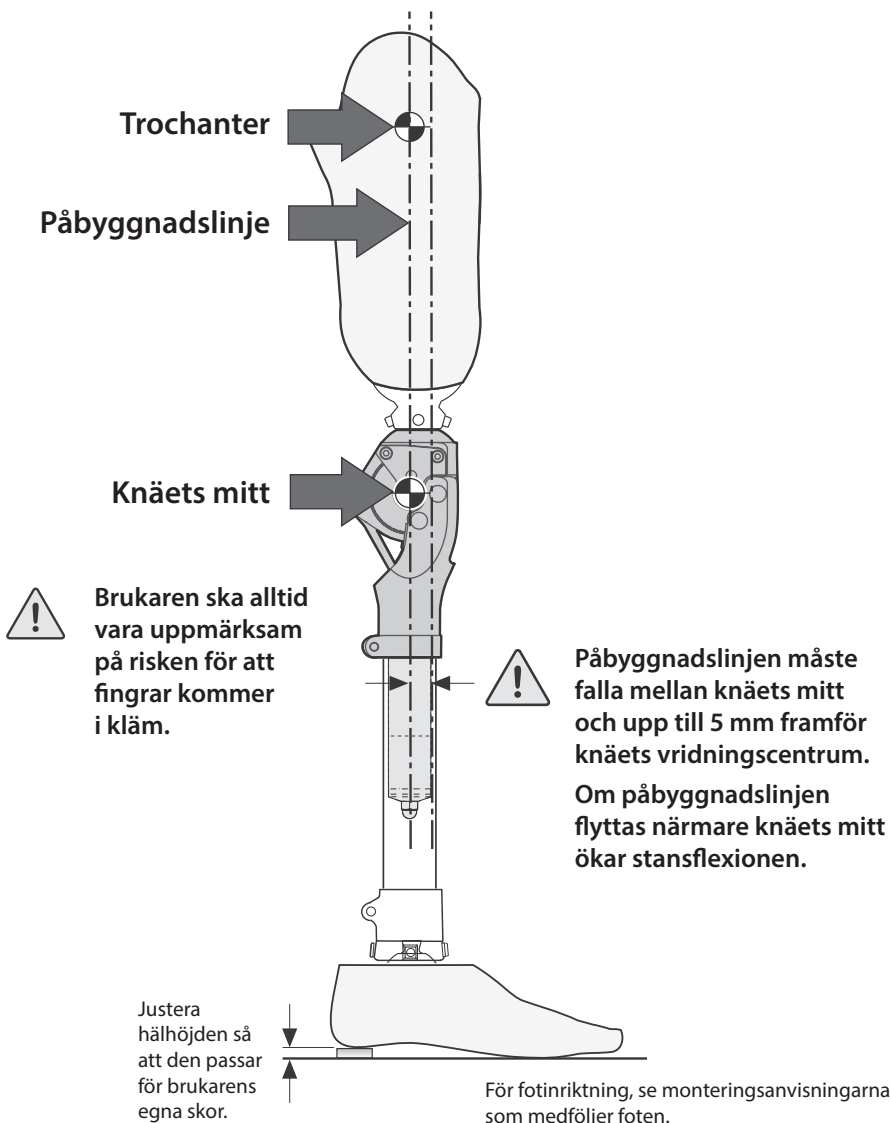


Får endast användas mellan -15 °C och 50 °C

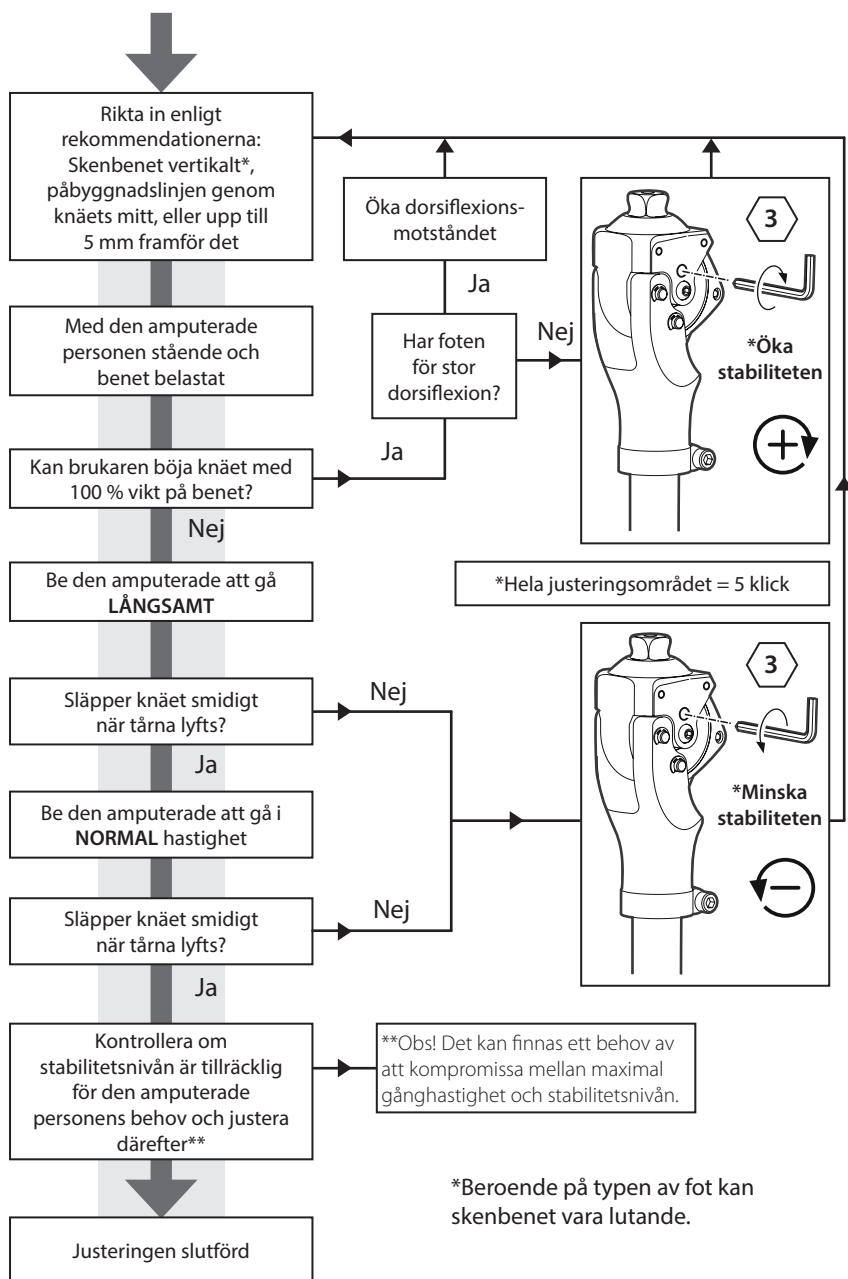
Lämplig för utomhusbruk

## 7 Inriktning på arbetsbänken

Vid justering av protesen för användning med enheten är påbyggnadslinjens position kritisk. Knäet ska riktas in så att det är geometriskt stabilt. Med fullt utrymme för flexion i hylsan ska påbyggnadslinjen passera genom trokantern och knäets mitt, eller i en linje parallellt med detta, upp till 5 mm framför knäets mitt.



## 8 Inriktningsråd och stabilitetsjustering

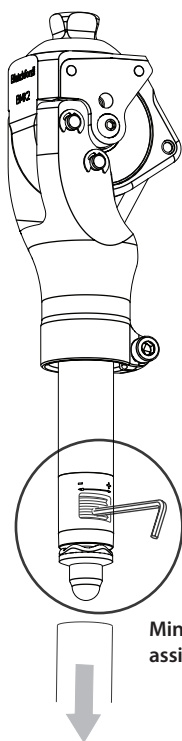


## 9 Dynamisk inriktning

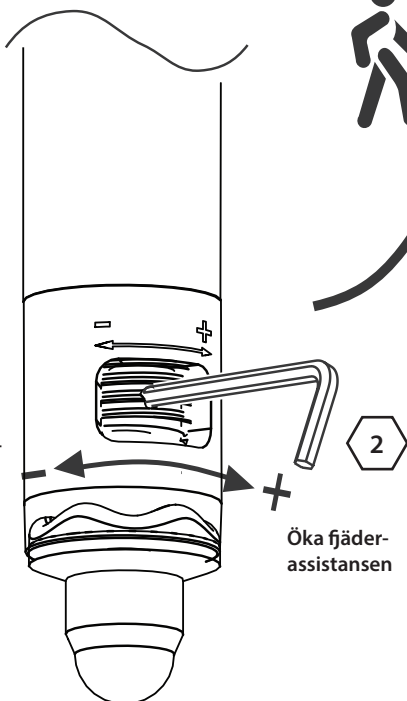
### Justering av svängningskontroll (extensionssnedhet)

Obs! Vid manövrering för hand kan stötdämpningen vid slutlig isättning kännas omedelbart före fullständig extension. Det är normalt.

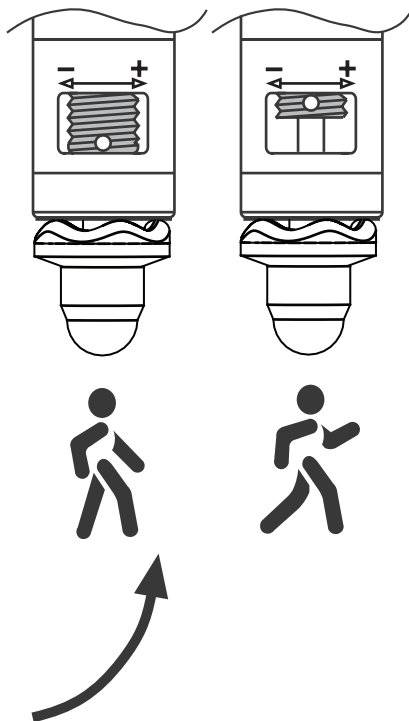
Situation	Lösning
Hälen höjs för mycket under svängningen eller enheten sträcks inte ut helt under svängningen.	Öka fjäderassistansen
Hälen höjs för lite under svängning eller när användaren upplever slutlig isättning.	Minska fjäderassistansen



Minska fjäderassistansen



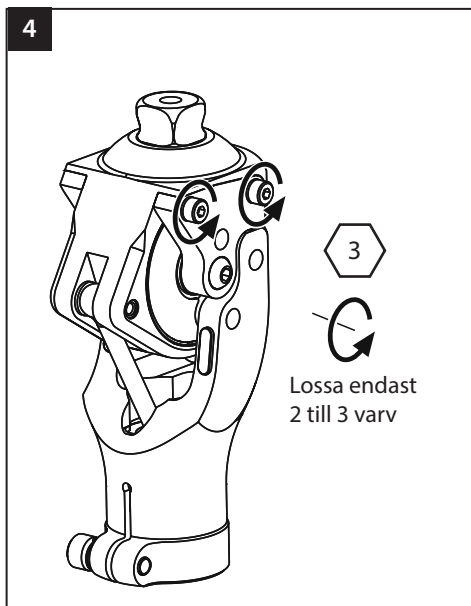
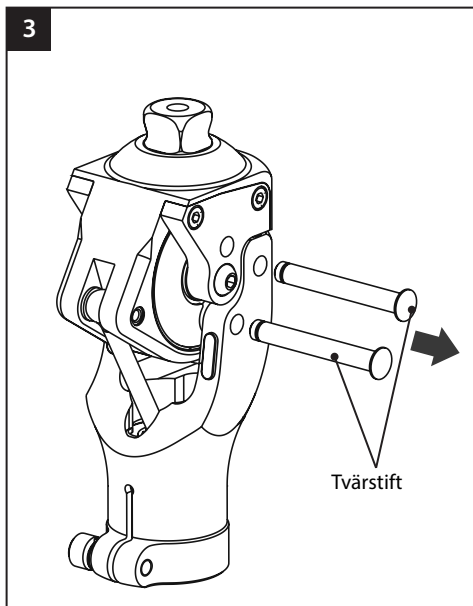
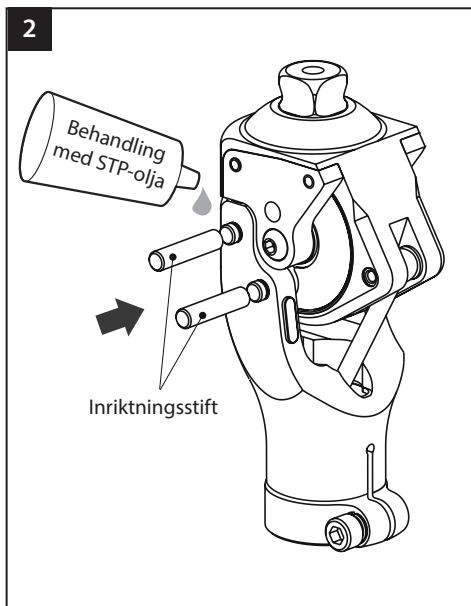
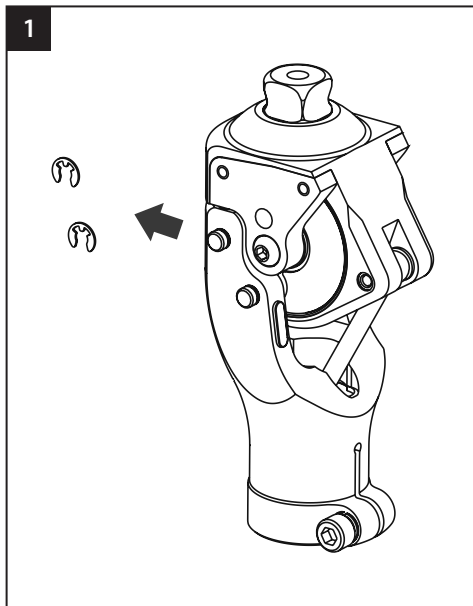
Öka fjäderassistansen

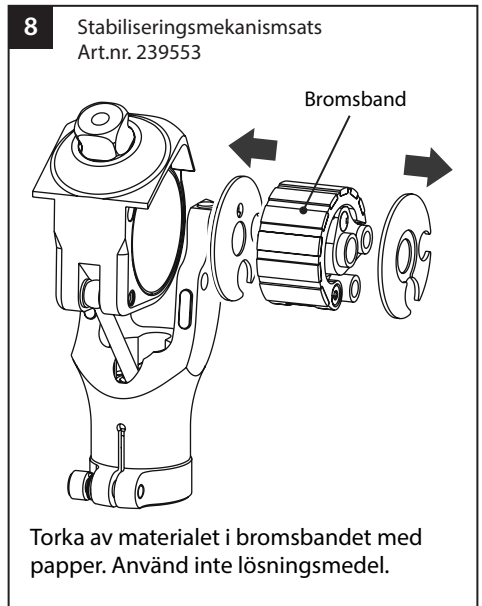
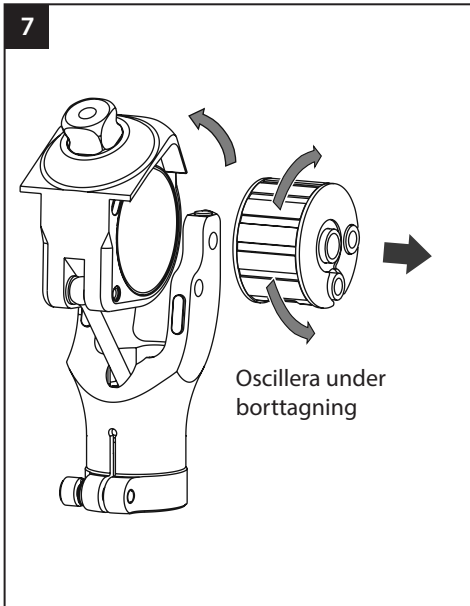
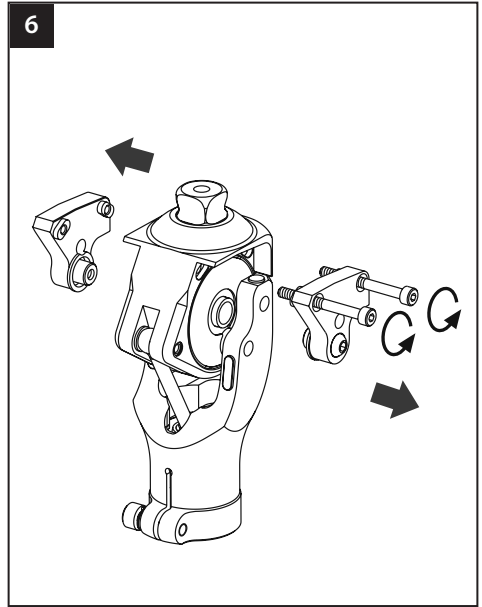
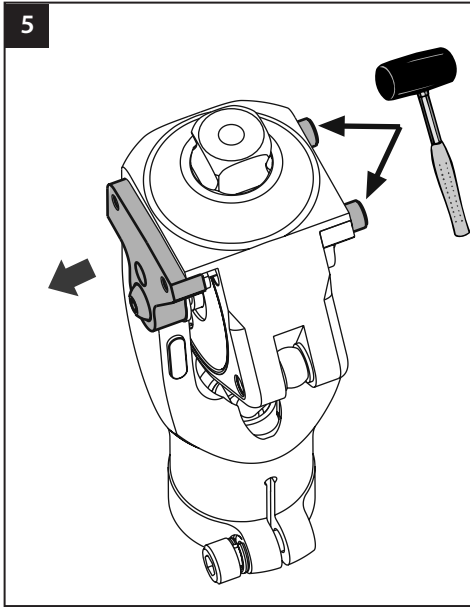


## 10 Underhåll av stabiliseringsmekanismen

⚠ Använd alltid lämplig hälso- och säkerhetsutrustning, inklusive utsugsutrustning.

⚠ Var alltid medveten om risken för att fingrarna kommer i kläm.

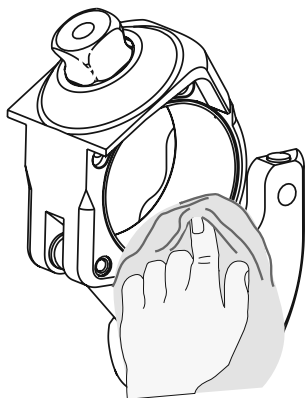






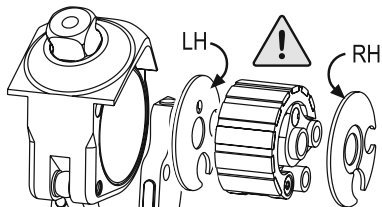
9

Rengör öppningen med lämpligt lösningsmedel.

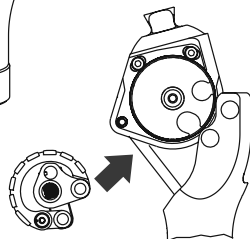


10

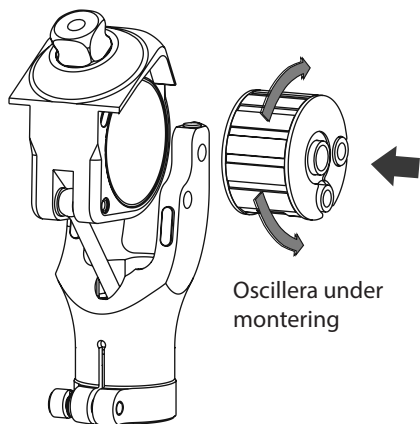
Återmontering



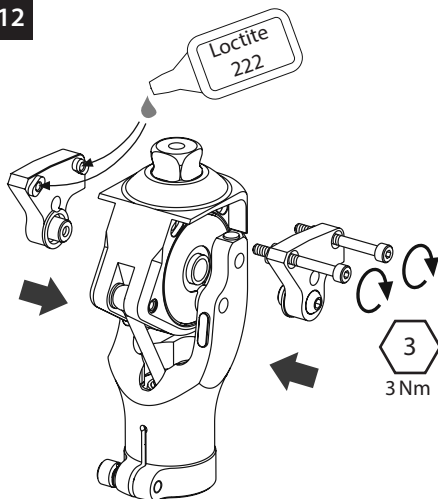
Notera  
mekanismens  
orientering



11

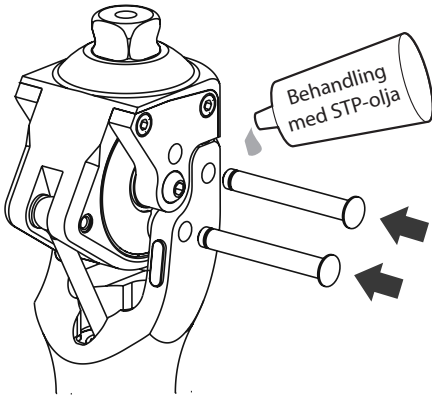


12



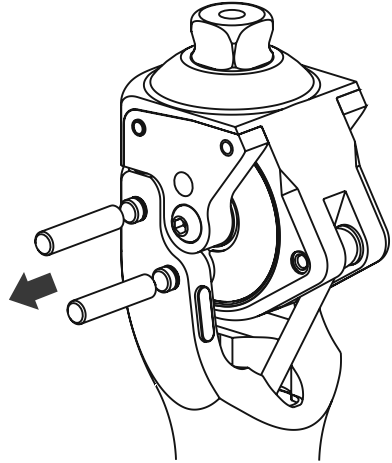
13

Applicera ett tunt lager smörjmedel (art.nr. 928105) på tvärstiften.

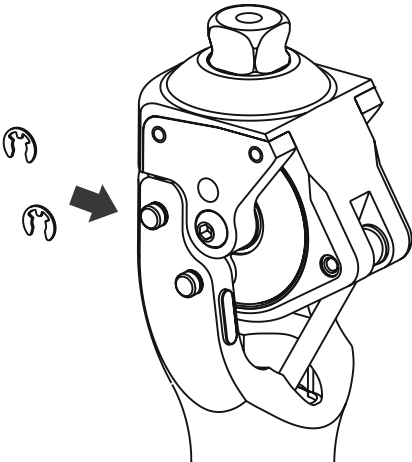


⚠ Se till att inga smörjmedel sipprar in i bromstrumman. Detta kan göra att enheten blir instabil.

14



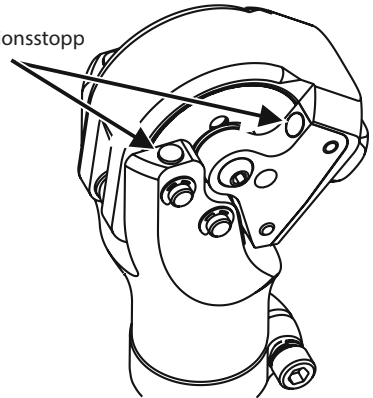
15



16

Byt ut alla fyra extensionsstoppen varje år. Extensionsstoppsats art.nr. 239453

Extensionsstopp

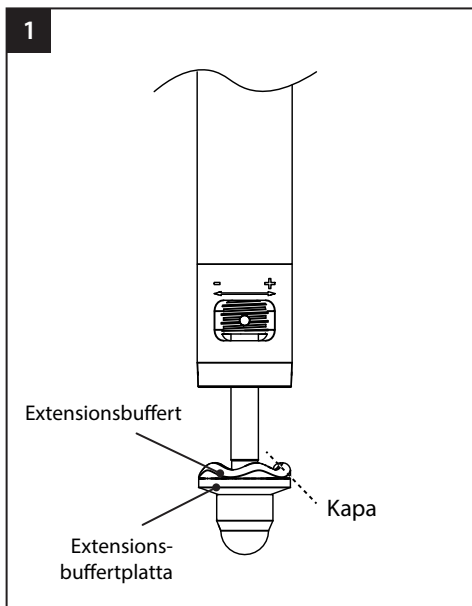


Efter underhåll är det viktigt att granska brukarens stabilitetsjustering. Se flödesschemat i avsnittet Inriktningråd och stabilitetsjustering.

## 11 Underhåll av extensionsbufferten

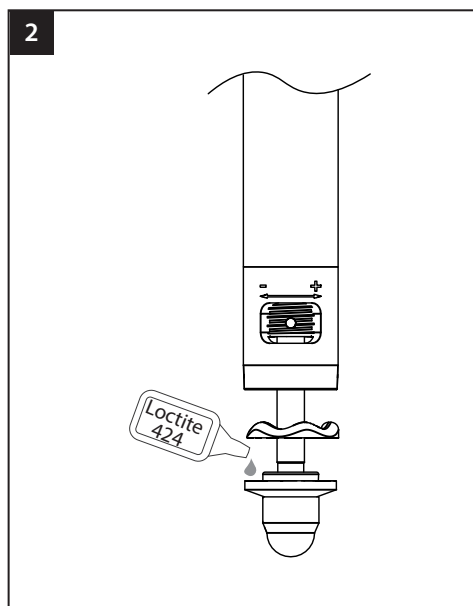
⚠ Använd alltid lämplig hälso- och säkerhetsutrustning, inklusive utsugsutrustning.

⚠ Var alltid medveten om risken för att fingrarna kommer i kläm.



Kapa den gamla extensionsbufferten med en kniv och ta bort den.

Rengör extensionsbuffertplattans ovansida med lämpligt lösningsmedel.



Sträck den nya extensionsbufferten över extensionsbuffertplattan.

Fäst extensionsbufferten på extensionsbuffertplattan med Loctite 424.

## 12 Felsökning

Symptom	Lösning
Omfattande ljud från knäet.	Rengör bromsbandet och bromstrumman. Applicera smörjmedel på ledtapparna. Se beskrivningarna i avsnitt 10 <i>Underhåll av stabiliseringsmekanismen</i> .
Knäet går inte att stabilisera.	Kontrollera stabilitetsjusteringen. Se avsnitt 8 <i>Inriktningsråd och stabilitetsjustering</i> . Rengör bromstrumman. Kontrollera om bromsbeläggen är slitna och byt ut stabiliseringsmekanismen om bromsens bakre kant är skadad. Se beskrivningarna i avsnitt 10 <i>Underhåll av stabiliseringsmekanismen</i> .
Knäet släpper inte.	Kontrollera stabilitetsjusteringen. Se avsnitt 8 <i>Inriktningsråd och stabilitetsjustering</i> .

## 13 Tekniska uppgifter

Temperatur vid drift och förvaring:	-15 °C till 50 °C
Komponentvikt:	580 g
Rekommenderad aktivitetsnivå:	2
Maximal brukarvikt:	125 kg
Proximalt inriktningsfäste:	Roterande hanpyramid (Blatchford)
Distalt fäste	Rörklämma med 30 mm diameter (Blatchford)
Påbyggnadshöjd:	127 mm
Proximal pyramid till distal rörände	(+130 mm)
[Se <i>Inpassningslängd</i> på sidan 89]	

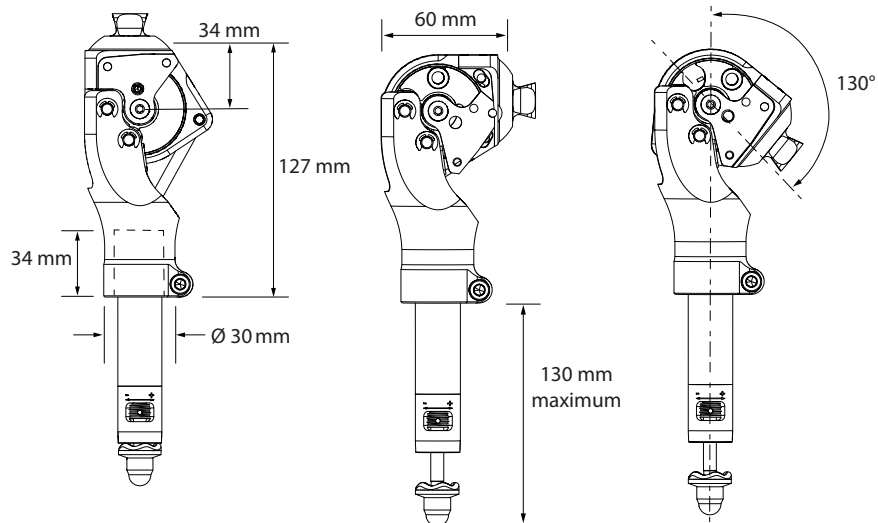
### Varumärkesinformation

Blatchford är ett registrerat varumärke som tillhör Blatchford Products Limited.

### Tillverkarens registrerade adress

Blatchford Products Limited, Lister Road, Basingstoke RG22 4AH, Storbritannien

## Inpassningslängd





## 14 Beställningsinformation

### Exempel på beställning

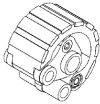


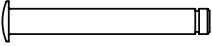

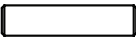
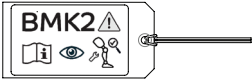

BMK2

### 14.1 Reservdelar


#### Extensionsstoppsats 239453

Beskrivning	Antal	Illustration
Extensionsstopp – BMK2	4	
Monteringsanvisningar	1	


## Stabiliseringsmekanismsats 239553

Beskrivning	Antal	Illustration
Kompakt stabiliseringsmekanism	1	
Dammskydd LH	1	
Dammskydd RH	1	
Tvärstift	2	
Fasthållande extern "E"-ring	2	
Inriktningstift	2	
BMK2 Justeringsvarningsetikett	1	
Monteringsanvisningar	1	

### Extensionsbuffert

Beskrivning	Antal	Artikelnummer	Illustration
Extensionsbuffert	1	B-0000021	

### Förbrukningsmaterial

Beskrivning	Antal	Artikelnummer	Illustration
Behandling med STP-olja	Efter behov	928105	
Loctite 222 skruvlock	Efter behov	926001	
Loctite 424 lim	Efter behov	926104	

## Ansvar

Tillverkaren rekommenderar att enheten endast används under angivna förhållanden och för avsedda ändamål. Enheten måste underhållas i enlighet med de instruktioner som medföljer enheten. Tillverkaren ansvarar inte för eventuella negativa resultat som orsakas av komponentkombinationer som tillverkaren inte har godkänt.

## CE-överensstämmelse

Denna produkt uppfyller kraven i EU-förordningen 2017/745 för medicintekniska produkter. Denna produkt är klassificerad som en klass I-produkt enligt de klassificeringsregler som anges i Bilaga VIII till förordningen. EU-försäkran om överensstämmelse finns på följande internetadress: [www.blatchford.co.uk](http://www.blatchford.co.uk)



Medicinteknisk utrustning



En patient – flera användningar

## Kompatibilitet

Kombination med Blatchford-märkta produkter är godkänt baserat på tester i enlighet med relevanta standarder och MDR, inklusive strukturellt test, dimensionell kompatibilitet och övervakade fältprestanda.

Kombination med alternativa CE-märkta produkter måste utföras med hänsyn till en dokumenterad lokal riskbedömning som utförts av en praktiserande läkare.

## Garanti

Denna enhet har 24 månaders garanti från inköpsdatumet om inget annat anges. Den kompakta stabiliseringsmekanismen har 12 månaders garanti från det ursprungliga inköpsdatumet om inget annat anges. Slitage på bromsbandet omfattas inte av garantin. Brukaren bör vara medveten om att ändringar eller modifieringar som inte uttryckligen godkänts kan upphäva garantin, användningslicenserna och undantagen. På Blatchfords webbplats finns fullständig aktuell garanti inklusive slitage.

## Rapportering av allvarliga incidenter

Om det mot förmodan skulle inträffa en allvarlig incident i samband med den här enheten ska denna rapporteras till tillverkaren och den nationella behöriga myndigheten.

## Miljöaspekter

Om möjligt ska komponenterna återvinnas i enlighet med lokala föreskrifter för avfallshantering.

## Spara förpackningsetiketten

Du rekommenderas att spara förpackningsetiketten som journal över den levererade enheten.

## Varumärkesinformation

Blatchford är ett registrerat varumärke som tillhör Blatchford Products Limited.

## Tillverkarens registrerade adress



Blatchford Products Limited, Lister Road, Basingstoke RG22 4AH, Storbritannien

Содержание .....	92
1 Описание и Основное Назначение .....	93
2 Техника Безопасности .....	94
3 Конструкция .....	95
4 Функциональность .....	95
5 Техническое обслуживание .....	96
6 Ограничения при Эксплуатации .....	97
7 Стендовая юстировка .....	98
8 Рекомендации по Юстировке и Настройке Устойчивости .....	99
9 Динамическая юстировка .....	100
10 Техническое обслуживание механизма стабилизации .....	101
11 Техническое обслуживание разгибательного амортизатора .....	105
12 Поиск и устранение неисправностей .....	106
13 Спецификация .....	106
14 Информация для Заказа .....	107
14.1 Перечень запасных частей .....	107



# 1 Описание и Основное Назначение

Данные инструкции предназначены только для лечащего врача или протезиста.

Термин «*устройство*» относится к коленному модулю ВМК2 и будет использован далее в настоящей инструкции.

Убедитесь в том, что пользователь внимательно ознакомился и осознал все положения инструкции по эксплуатации устройства, при этом особое внимание следует уделить разделам посвященным техническому обслуживанию и технике безопасности.

Перед использованием данного устройства пользователи должны пройти курс обучения ходьбе.

## **Область Применения**

Данное устройство должно использоваться исключительно как составная часть протеза нижней конечности.

Устройство представляет собой компактный коленный модуль с активацией под воздействием веса пользователя с регулируемой пружиной вспомогательного разгибателя.

Данное устройство предназначается для индивидуального использования.

## **Особенности**

- Регулируемая устойчивость в фазе опоры, активируемая под воздействие веса пользователя
- Регулируемая пружина разгибателя для управления демпфированием терминального удара, возникающего при разгибании в колене.
- Максимальный угол сгибания в колене 130°

## **Уровень двигательной активности**

Данное устройство предназначено только для пользователей с уровнями двигательной активности 1 и 2. Максимально допустимый вес пользователя см. в разделе 13 *Спецификация*.

### **Уровень двигательной активности 1**

Пользователь обладает способностью или имеет достаточный потенциал для перемещения на протезе по ровной опорной поверхности с фиксированным темпом ходьбы. Данный уровень типичен для пользователей, которые могут ограниченно или неограниченно перемещаются в пределах помещения.

### **Уровень двигательной активности 2**

Пользователь обладает способностью или имеет достаточный потенциал для перемещения на протезе, а также обладает способностью преодолевать невысокие естественные препятствия, такие как бордюры, ступени лестниц или неровные поверхности. Данный уровень типичен для пользователей, которые ограниченно перемещаются вне пределов помещения.

### **Уровень двигательной активности 3**

Пользователь обладает способностью или имеет достаточный потенциал для перемещения на протезе в переменном темпе вне помещения. Данный уровень типичен для пользователей, которые могут преодолевать большинство естественных препятствий, а также имеющих дополнительные потребности при использовании протеза не только для простого перемещения, но например, при ведении профессиональной деятельности, прохождении лечебно-профилактических процедур или занятий любительским спортом.

### **Уровень двигательной активности 4**

Пользователь обладает способностью или имеет достаточный потенциал для перемещения на протезе вне помещения, превышающий базовые типы перемещений, и сталкивающийся с повышенными вертикальными ударными воздействиями, связанными с высокой нагрузкой на протез при ходьбе. Данный уровень типичен для детей, активных взрослых или спортивных пользователей.

## Противопоказания

Данное устройство не подходит для пользователей, у которых имеется:

- Крайняя ослабленность мышц, контрактуры, которые препятствуют правильной аккомодации или нарушение проприоцептивной функции, включая нарушение равновесия.
- Нестабильность или патология контралатерального сустава.
- Осложнения, связанные со множественными заболеваниями.
- Потребность в функции поддрессирования коленного модуля для спуска по лестнице или сидения (включая пользователей с двусторонней ампутацией на уровне бедра). Данное действие может привести к повреждению тормозного механизма коленного модуля, что отрицательно скажется на устойчивости и долговечности устройства.

## Клинические преимущества

- Механизм стабилизации коленного модуля плавно активируется под воздействие веса пользователя, обеспечивая безопасность в положении стоя и при движении по неровной опорной поверхности. Данный механизм обеспечивает расфиксацию коленного модуля при отрыве мыска стопы от опорной поверхности.
- Амортизатор механизма стабилизации обеспечивает ограниченное сгибание в фазе опоры и снижает нежелательные нагрузки при пяточном ударе.

## 2 Техника Безопасности



**Данным символом обозначаются наиболее важные правила, которые должны соблюдаться неукоснительно.**



Пользователь обязан незамедлительно доложить своему протезисту/врачу о любых ощутимых изменениях в работе или функциональности данного устройства, например, ограничении движения, неплавном движении или появлении посторонних шумов. Во время завершения фазы, непосредственно перед пяточным ударом может быть слышен шум, возникающий вследствие действия вспомогательного разгибателя в момент полного разгибания коленного модуля. Это нормально.



При спуске по ступеням лестницы, а также в любых других случаях, когда это возможно, пользователь всегда должен использовать перила.

Запрещается подвергать устройства экстремальным воздействиям тепла и/или холода.



Данное устройство не предназначено для эксплуатации в воде или для приема водных процедур. В случае контакта коленного модуля с водой немедленно вытрите его насухо при помощи неворсистой салфетки.



Устройство не предназначается для экстремальных спортивных занятий, забегов, велогонок, соревнований на коньках, лыжах, санках, а также для ходьбы по экстремальным наклонным опорным поверхностям, ступеням и стремянкам. В этом случае вся ответственность за возможные последствия целиком возлагается на пользователя протезной системы.



К сборке, техническому обслуживанию и ремонту устройства допускается только квалифицированный персонал, прошедший обучение в учебных центрах Blatchford и имеющий соответствующий сертификат.



При обслуживании устройства убедитесь в том, что смазка не попала в тормозной барабан.



Убедитесь в том, чтобы ваше транспортное средство было оборудовано всем необходимым для управления человеком с ограниченными возможностями. При управлении транспортными средствами все лица обязаны строго соблюдать правила дорожного движения.



Пользователь не имеет права модифицировать устройство, производить его юстировку или вносить изменения в настройки.



При ощутимом изменении своего состояния пользователь обязан незамедлительно сообщить об этом своему врачу/протезисту, при этом состоянии может включать в себя изменения массы тела и/или уровня двигательной активности, а также изменение условий эксплуатации протеза, например, при переезде из городской в сельскую местность.



Всегда помните о потенциальной опасности защемления пальцев рабочими механизмами устройства.



Любые чрезмерные изменения высоты подъема каблук после окончательного завершения юстировки могут отрицательно сказаться на функциональности протеза.

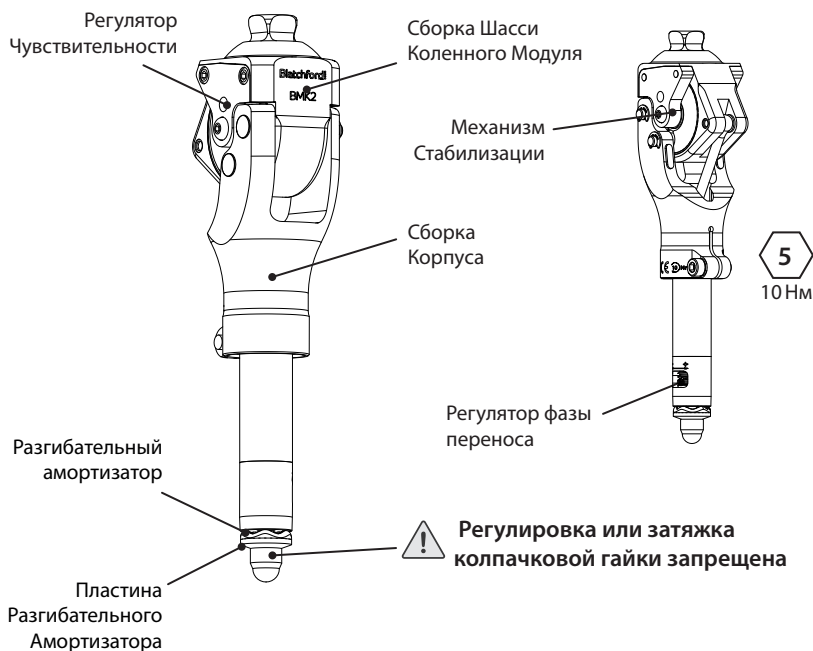
## 3 Конструкция

### Составные части

- Сборка корпуса (алюминиевый сплав, нержавеющая сталь, полиуретан, войлок)
- Сборка шасси коленного модуля (алюминиевый сплав, нержавеющая сталь)
- Механизм стабилизации (алюминиевый сплав, бронза, ацетат-гомополимер, полиуретан, синтетический каучук)

Примечание... Фрикционный материал механизма стабилизации не содержит асбеста.

### Идентификация компонентов



## 4 Функциональность

Коленный модуль активируется под воздействие веса пользователя, при этом чувствительность устройства быть настроена в соответствии с индивидуальными предпочтениями пользователя к устойчивости.

Управление фазой переноса настраивается путем изменения степени сжатия винтовой пружины, которая управляет подъемом пятки и демпфированием разгибания.

Устройство обеспечивает подгибание в фазе опоры при активации тормозного механизма за счет упругости тормозной ленты.

## 5 Техническое обслуживание

Техническое обслуживание имеет право производить только сертифицированный персонал, прошедший обучение в учебных центрах Blatchford.

Рекомендуется ежегодно проводить следующие мероприятия по техническому обслуживанию:

- Проверьте надежность крепления всех механических и винтовых креплений, которые не предназначены для юстировки (см. раздел Конструкция) (НЕ ЗАТЯГИВАЙТЕ колпачковую гайку на дистальном конце устройства).
- Очистите тормозную колодку и замените ограничители разгибания (см. Раздел 10 *Техническое обслуживание механизма стабилизации* для выполнения данной процедуры).
- В случае появления необычных шумов, например, таких как скрежет/скрип и/или снижения устойчивости коленного модуля, рекомендуется провести техническое обслуживание механизма стабилизации, см. раздел 10 *Техническое обслуживание механизма стабилизации*. Если шумы не исчезнут, немедленно обратитесь к ближайшему представителю Blatchford.
- Износ амортизатора разгибания является допустимым. Если чрезмерный шум отмечается при полном разгибании, замените разгибательный амортизатор. См. Раздел 11 *Техническое обслуживание разгибательного амортизатора*.
- Проверьте устройство на наличие чрезмерного люфта шасси в медиально-латеральной плоскости (M-L).
- Если задняя кромка колодки тормозной ленты, замените тормозную ленту целиком. (Примечание: Заменять тормозные колодки по отдельности нельзя.)
- При сборке устройства убедитесь в правильной ориентации тормозной ленты. Всегда проверяйте устойчивость перед началом использования устройства.

Пользователю необходимо передать на руки соответствующую инструкцию по эксплуатации и предупредить о необходимости немедленно сообщать своему протезисту о нижеследующем:

- О любых ощутимых изменениях массы тела и/или уровня двигательной активности;
- О любых ощутимых изменениях в работе устройства;

Изменения в работе устройства могут включать:

- Ограничение движения в фазе переноса;
- Изменения в плавности перемещения в процессе фазы переноса;
- снижение устойчивости в фазе опоры;
- Любые необычные шумы.

### Очистка от загрязнений

Для очистки внешней поверхности устройства используйте влажную не ворсистую салфетку и детское мыло, НЕ ИСПОЛЬЗУЙТЕ агрессивные моющие средства. Тщательно просушите перед началом эксплуатации.

## 6 Ограничения при Эксплуатации

### Срок службы

Срок службы изделия покрывается сроком гарантийного периода и определяется с учетом локальной оценки степени риска, основанной на двигательной активности пользователя и рода деятельности пользователя.

### Поднятие тяжестей

Ограничения зависят от веса пользователя и его уровня двигательной активности.

При переносе тяжестей пользователем должна быть учтена локальная оценка степени риска.

Примечание... Данное устройство активируется под воздействием веса пользователя, поэтому перенос тяжестей может привести к более быстрому включению фазы опоры.

### Условия эксплуатации

Не подвергайте устройство воздействию коррозионных реагентов, например, таких

как вода, кислоты и прочие жидкости. Также

следует избегать воздействие абразивных сред как, например, песок, поскольку это может вызвать преждевременный износ устройства.



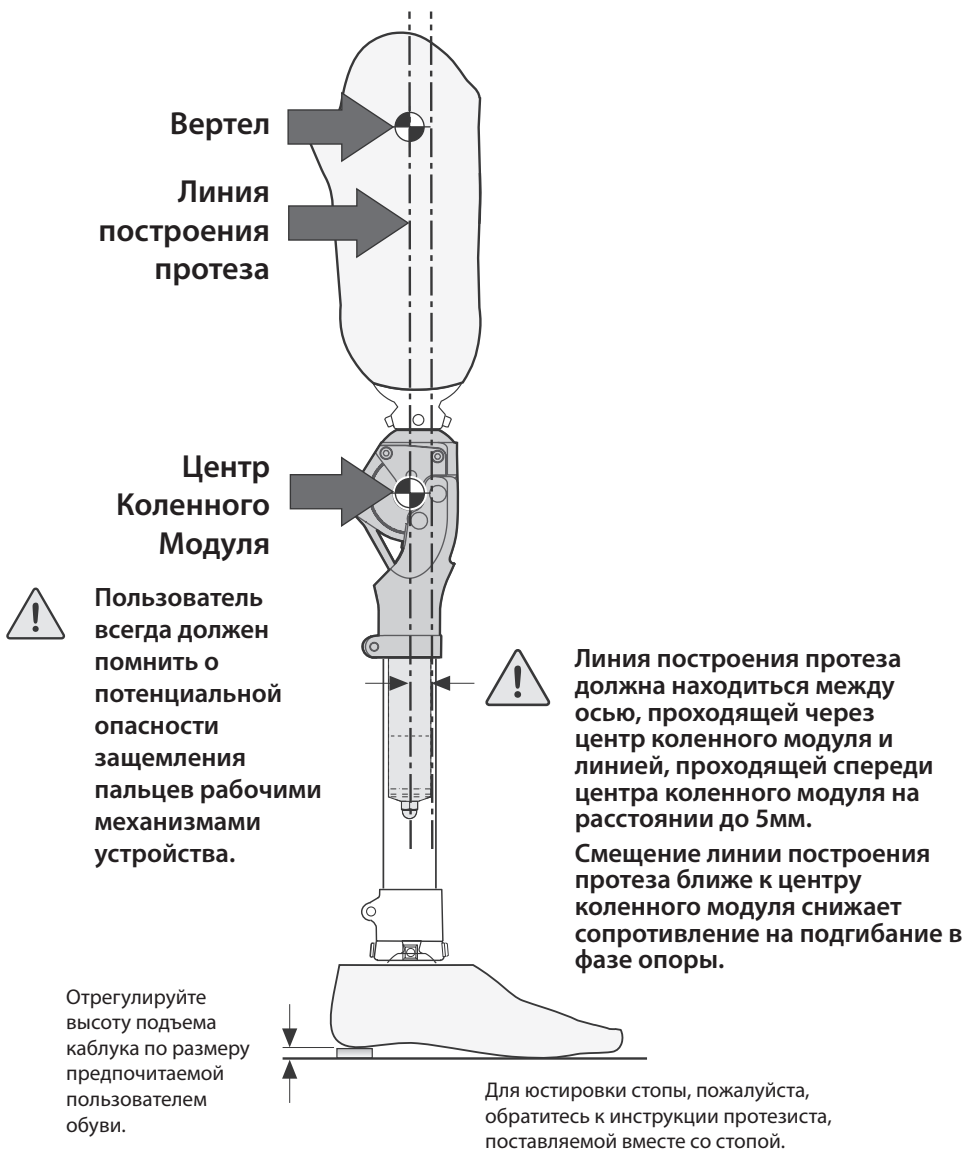
Влаго-, грязе-, пылезащищенное изделие

Допускается эксплуатация устройства исключительно в диапазоне температур от  $-15^{\circ}\text{C}$  до  $+50^{\circ}\text{C}$

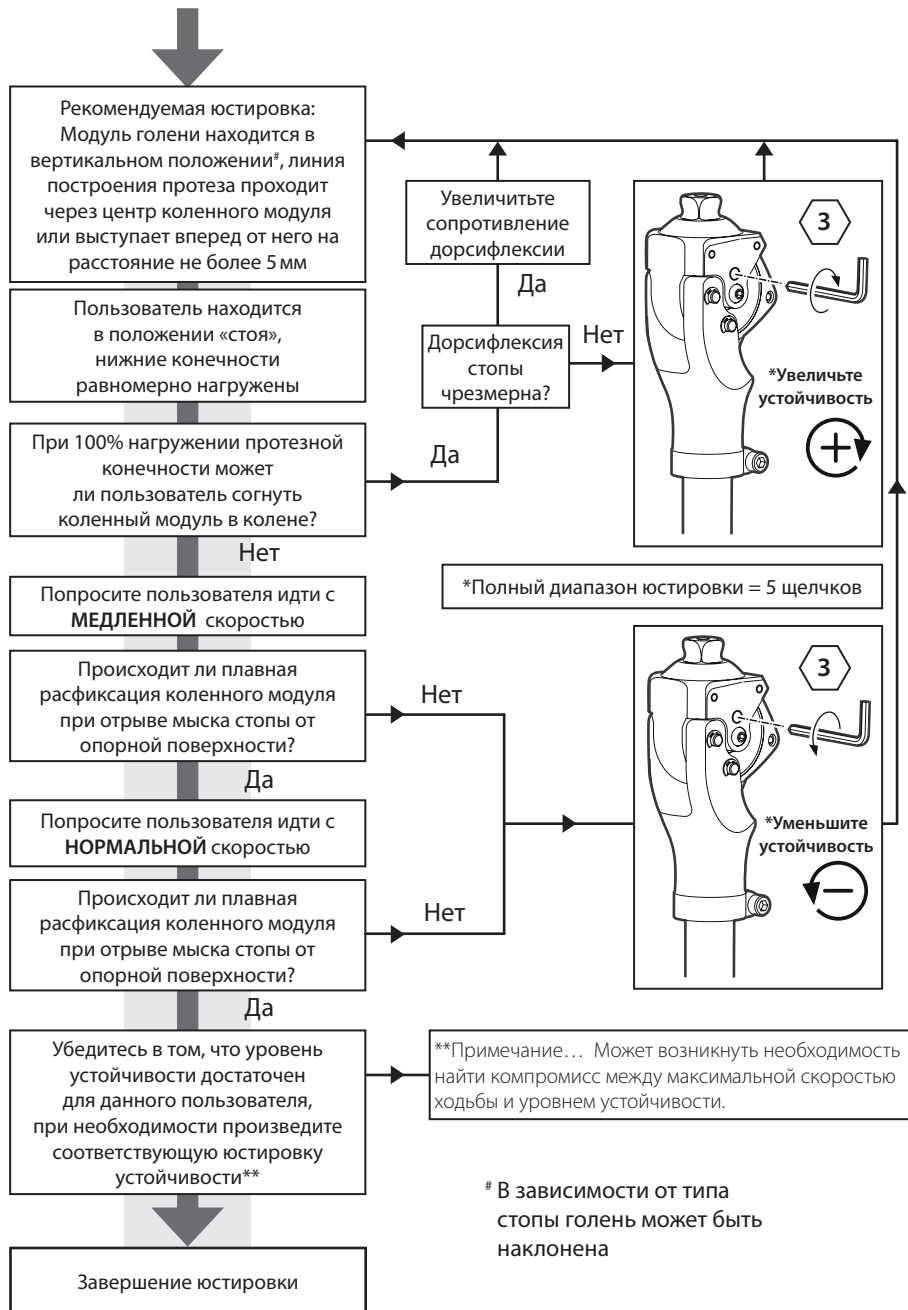
## 7 Стендовая юстировка

При юстировке протезной системы при совместном использовании с данным устройством критически важно расположение линии построения протеза.

Коленный модуль должен быть настроен так, чтобы он стал геометрически устойчивым. При полном сгибании в колене линия построения протеза должна проходить через вертел и центр коленного модуля или параллельно на расстоянии до 5 мм спереди от линии, проходящей через центр коленного модуля.



## 8 Рекомендации по Юстировке и Настройке Устойчивости

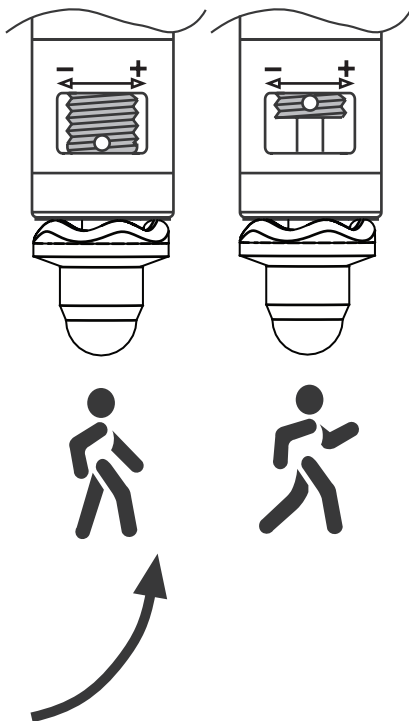
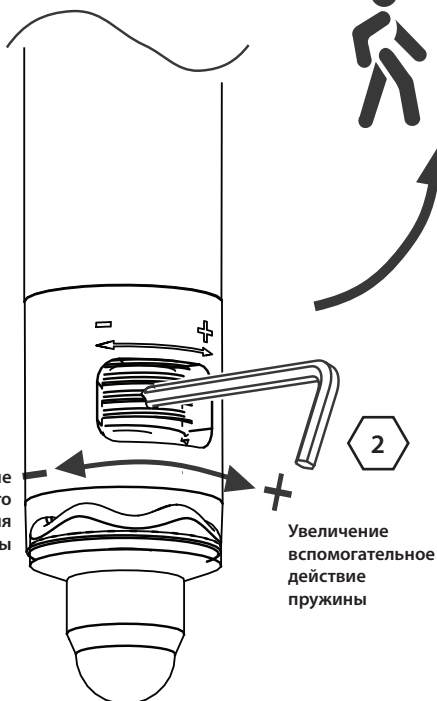
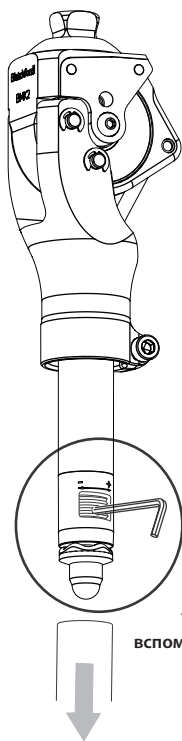


## 9 Динамическая юстировка

### Регулятор управления фазой переноса ( ограничение разгибания )

Примечание... При ручном управлении, срабатывание демпфирования терминального удара может ощущаться непосредственно перед полным разгибанием - это нормально.

Проблема	Решение
Пятка стопы поднимается слишком высоко во время фазы переноса или устройство не полностью разгибается во время фазы переноса.	Увеличьте вспомогательное действие пружины
Пятка стопы поднимается слишком низко во время фазы переноса или пользователь ощущает терминальный удар при разгибании в колене.	Уменьшите вспомогательное действие пружины





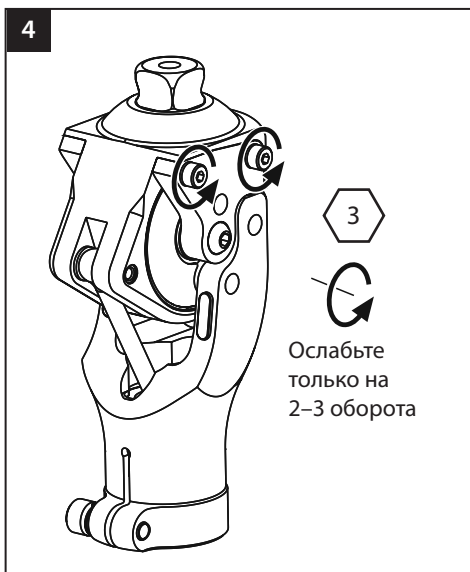
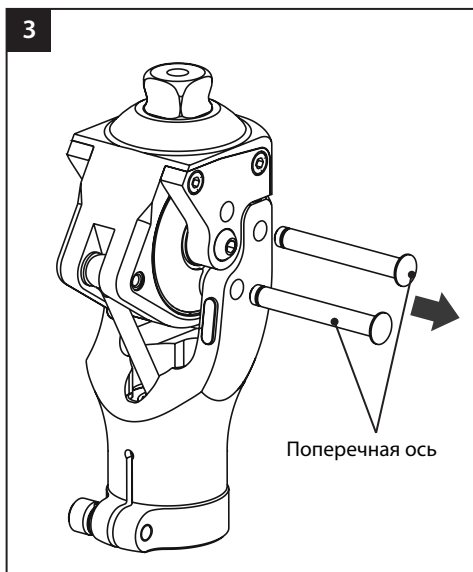
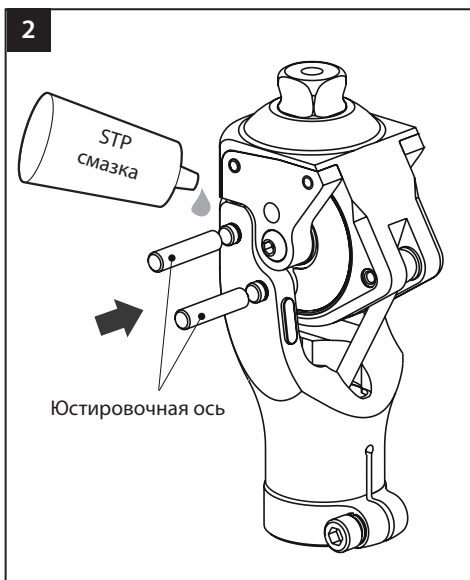
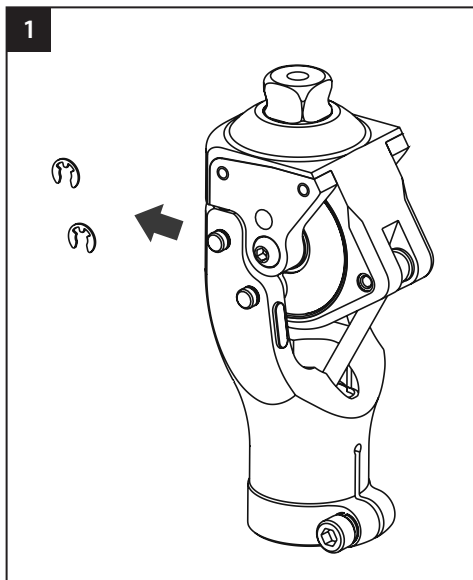
## 10 Техническое обслуживание механизма стабилизации

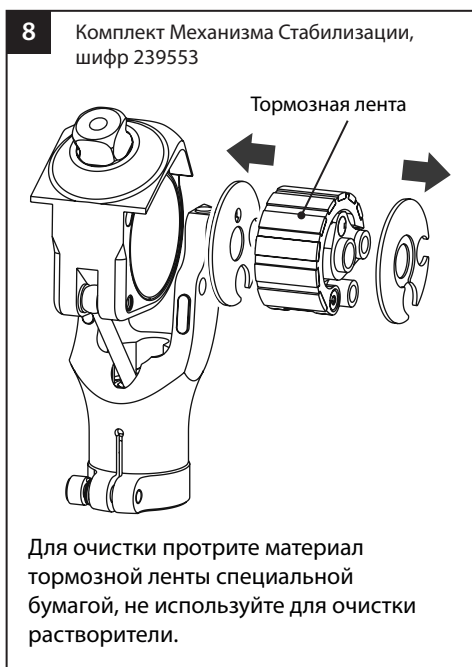
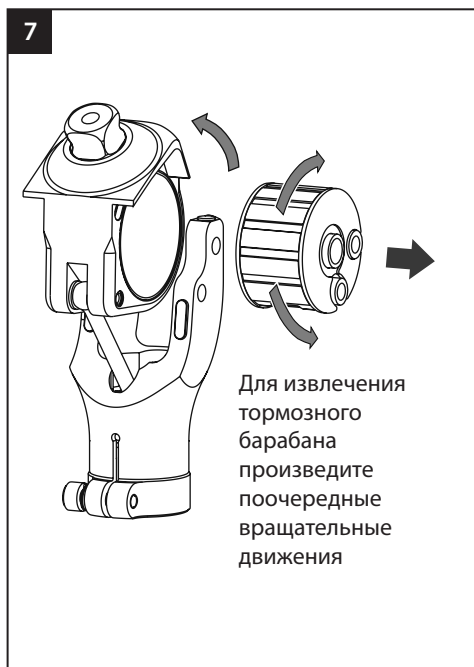
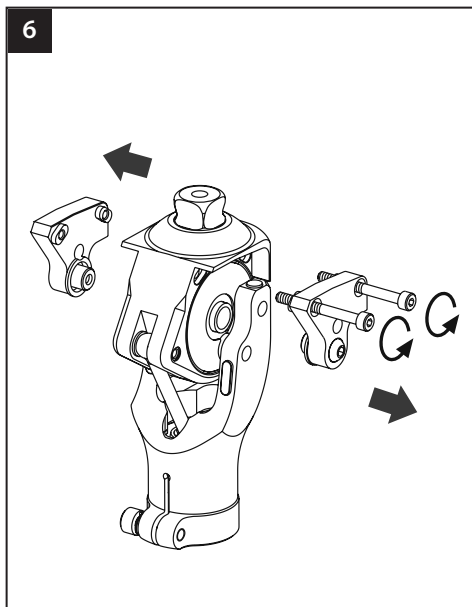
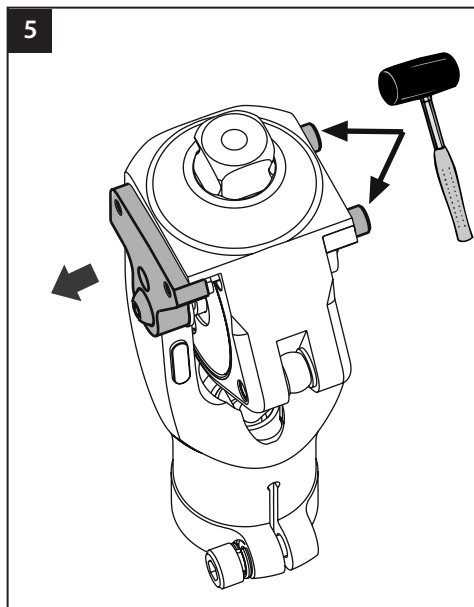


Всегда используйте соответствующее оборудование для обеспечения техники безопасности и защиты здоровья, в том числе и индивидуальные средства защиты.



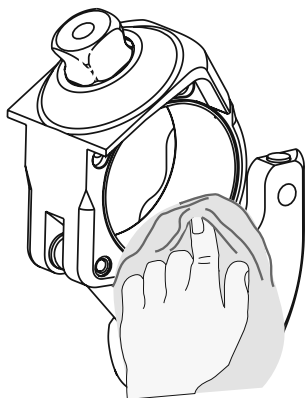
Всегда помните о потенциальной опасности защемления пальцев рабочими механизмами устройства.





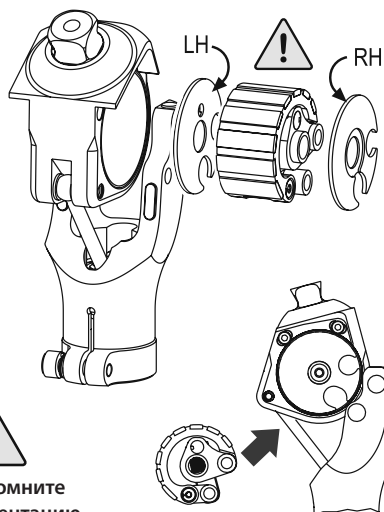
9

Очистите внутреннюю область отверстия при помощи подходящего растворителя.



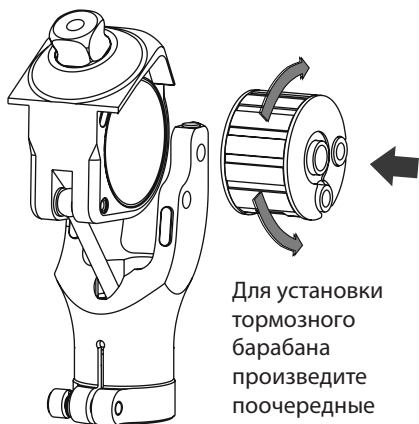
10

Повторная сборка



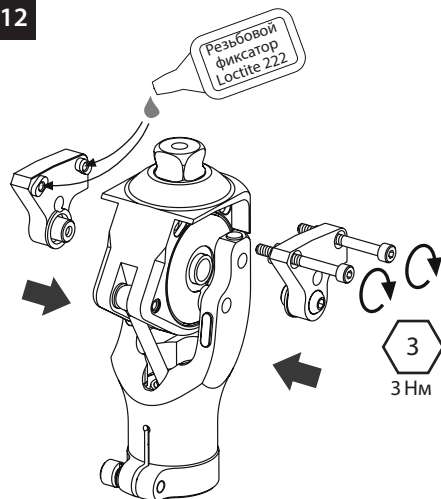
Запомните ориентацию механизма стабилизации

11

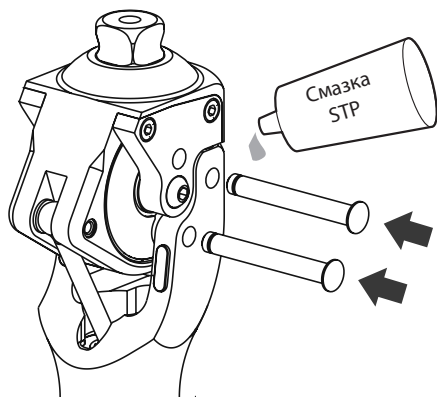


Для установки тормозного барабана произведите поочередные вращательные движения

12

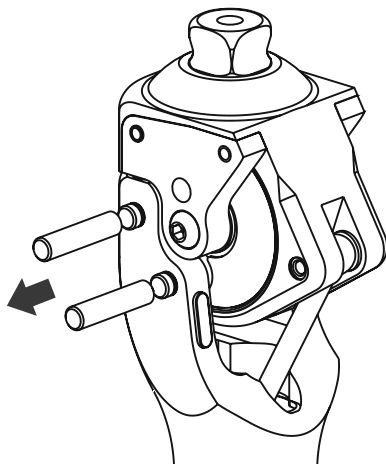


- 13** Нанесите тонким слоем на поперечные штифты смазку (шифр 928105).

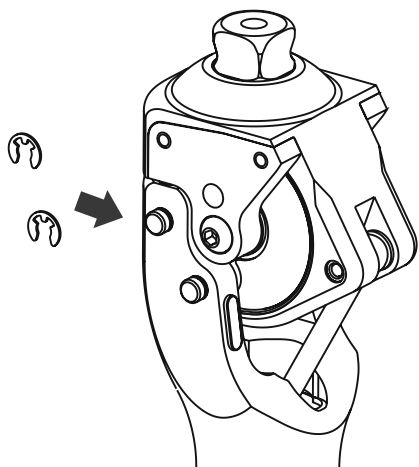


**!** Убедитесь в том, чтобы смазка не попала в тормозной барабан. Это может привести к нестабильной работе устройства.

**14**



**15**



- 16** Требуется ежегодная замена одновременно всех 4-х ограничителей разгибания. Комплект ограничителей разгибания, шифр 239453

Ограничители разгибания



После проведения технического обслуживания важно проверить настройку устойчивости коленного модуля для пользователя.

См. блок-схему в разделе «Рекомендации по Юстировке и Настройке Устойчивости».

## 11 Техническое обслуживание разгибательного амортизатора



Всегда используйте соответствующее оборудование для обеспечения техники безопасности и защиты здоровья, в том числе и индивидуальные средства защиты.

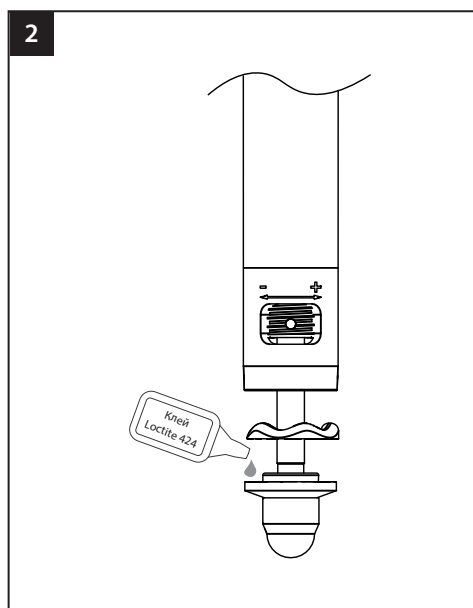


Всегда помните о потенциальной опасности защемления пальцев рабочими механизмами устройства.



Осторожно обрежьте ножом и аккуратно удалите старый разгибательный амортизатор.

Очистите подходящим растворителем верхнюю поверхность пластины разгибательного амортизатора.



Установите новый разгибательный амортизатор на пластину.

Зафиксируйте разгибательный амортизатор на пластине при помощи клея Loctite 424.

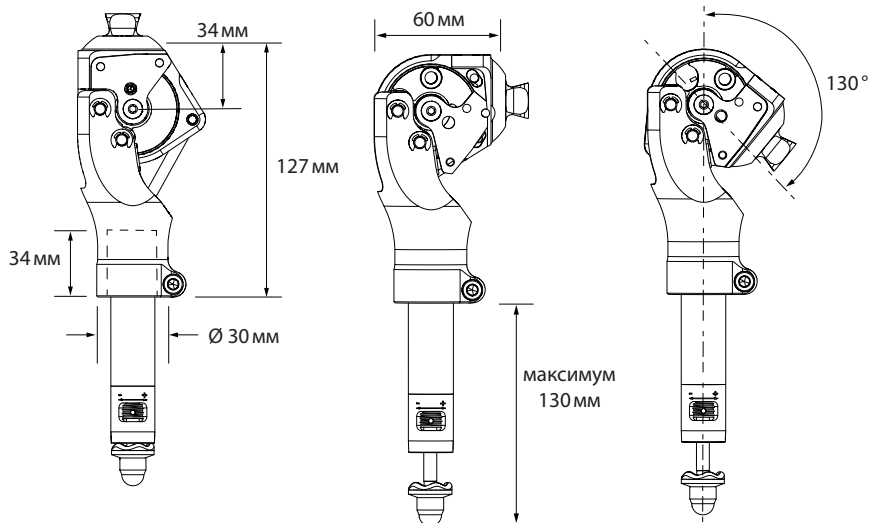
## 12 Поиск и устранение неисправностей

Проблема	Решение
Чрезмерный шум при работе коленного модуля.	Очистите от загрязнений тормозную ленту и тормозной барабан. Нанесите смазку на оси устройства. См. процедуры в разделе 10 <i>Техническое обслуживание механизма стабилизации.</i>
Коленный модуль неустойчив.	Проверьте юстировку устойчивости. См. раздел 8 <i>Рекомендации по Юстировке и Настройке Устойчивости.</i> Очистите от загрязнений тормозной барабан. Проверьте тормозные колодки на предмет износа, в случае повреждения задней кромки замените механизм стабилизации. См. процедуры в разделе 10 <i>Техническое обслуживание механизма стабилизации.</i>
Не происходит расфиксация коленного модуля.	Проверьте юстировку устойчивости. См. раздел 8 <i>Рекомендации по Юстировке и Настройке Устойчивости.</i>

## 13 Спецификация

Температурный диапазон хранения и эксплуатации:	от -15 °C до +50 °C
Вес изделия:	580 г
Рекомендуемый уровень двигательной активности:	2
Максимальный вес пользователя:	125 кг
Проксимальный адаптер :	Ротационный адаптер-пирамидка (Blatchford)
Дистальный адаптер:	Стяжной адаптер под несущий модуль голени диаметром 30 мм (Blatchford)
Высота конструкции:	127 мм
Высота конструкции:от проксимального адаптера-пирамидки до дистального конца несущего модуля голени	(+130 мм)
[См. <i>Сборочные Размеры</i> на странице 107]	

## Сборочные Размеры





## 14 Информация для Заказа

### Пример заказа

ВМК2

### 14.1 Перечень запасных частей


#### Комплект ограничителя разгибания 239453

Описание	Кол-во	Изображение
Ограничитель разгибания — ВМК2	4	
Инструкции протезиста	1	


## Комплект механизма стабилизации 239553

Описание	Кол-во	Изображение
Компактный механизм стабилизации	1	
Пылезащитная крышка, левая	1	
Пылезащитная крышка, правая	1	
Поперечный штифт	2	
Внешнее ограничительное «Е»-образное кольцо	2	
Юстировочная ось	2	
Юстировочный ярлык для коленного модуля ВМК2	1	
Инструкции протезиста	1	

## Разгибательный амортизатор

Описание	Кол-во	Шифр	Изображение
Разгибательный амортизатор	1	B-0000021	

## Расходные материалы

Описание	Кол-во	Шифр	Изображение
СТП смазка	расход	928105	
Резьбовой фиксатор Loctite 222	расход	926001	
Клей Loctite 424	расход	926104	



## Ответственность

Производитель рекомендует использовать данное устройство только в указанных условиях и предусмотренных целях. Техническое обслуживание устройства должно проводиться согласно прилагаемой к устройству инструкции по эксплуатации. Производитель не несет ответственности за ущерб, вызванный применением комбинацией компонентов, не разрешенной изготовителем.

## Соответствие стандартам качества и безопасности Европейского союза (СЕ)

Данное изделие соответствует требованиям Евростандарта ЕС 2017/745 для медицинских изделий. Данное изделие относится к категории устройств класса I в соответствии с критериями классификации, изложенными в Приложении VIII данного Стандарта. Сертификат соответствия нормативным требованиям ЕС можно найти в Интернете по следующему адресу: [www.blatchford.co.uk](http://www.blatchford.co.uk)



Медицинское изделие



Индивидуальное многократное использование

## Совместимость

Допускаются комбинации изделий производства компании Blatchford на основании тестирования по соответствующим стандартам, в том числе и стандартам на медицинские устройства (MDR), включая структурные испытания, совместимость размеров и другие контролируемые эксплуатационные характеристики.

Комбинация с альтернативными изделиями, имеющими маркировку соответствия стандартам Евросоюза СЕ, должна производиться с учетом оценки локальной степени риска, проводимой компетентным специалистом.

## Гарантийные обязательства

Если не оговорено иное, гарантийный срок на устройство составляет 24 месяца с момента покупки. Если не оговорено иное, гарантийный срок на Компактный Механизм Стабилизации составляет 24 месяца с момента первоначальной покупки, если не указано иное. Гарантийные обязательства не распространяются на тормозную ленту. Пользователь должен знать, что изменения или модификации, не одобренные явным образом, могут привести к аннулированию гарантии, лицензий на эксплуатацию и предоставленных льгот. Пользователь должен быть предупрежден о том, что любые изменения в конструкции изделия или его модификация, не согласованные с изготовителем, аннулируют гарантию, лицензию на эксплуатацию и предоставленные льготы. Для получения подробной актуальной информации о гарантии, пожалуйста, обратитесь к сайту компании Blatchford, (включает положения об износе устройства).

## Побочные эффекты и инциденты

Возникновение побочных эффектов и серьезных инцидентов, связанного с данным устройством, маловероятно, тем не менее, в случае возникновения таковых, следует сообщить об этом производителю и представителю Blatchford в вашем регионе.

## Экологические аспекты

Пожалуйста, по возможности утилизируйте устройство как обычные отходы, в соответствии с правилами местного законодательства по утилизации и обращению с отходами.

## Сохранение упаковочной этикетки

Рекомендуется сохранять этикетку на упаковке, поскольку она содержит необходимые данные о поставляемом устройстве.

## Товарные знаки

Blatchford является зарегистрированной торговой маркой компании Blatchford Products Limited.

## Юридический адрес производителя



Blatchford Products Limited, Lister Road, Basingstoke RG22 4AH, UK

目录.....	110
1 说明及设计用途 .....	111
2 安全须知.....	112
3 构造.....	113
4 功能.....	113
5 维护.....	114
6 使用限制.....	115
7 工作台对线.....	116
8 对线建议与稳定性调节 .....	117
9 动态对线.....	118
10增稳装置的维护 .....	119
11伸展缓冲垫的维护 .....	123
12故障排除.....	124
13技术数据.....	124
14订购须知.....	125
14.1 备件 .....	125

# 1 说明及设计用途

本说明供假肢技师使用。

在本使用说明中频繁出现的“装置”一词用于指代 BMK2 膝关节。

请确保用户理解使用说明的所有内容,尤其是维护和安全部分。

用户在使用本装置之前必须接受步态训练。

## 用途

本装置仅作为下肢假肢的一部分使用。

本装置是一种通过体重激活的紧凑型膝关节,带有可调节弹簧拉伸偏置功能。

本装置仅供单人使用。

## 功能及特性

- 通过体重激活可调节支撑控制功能
- 采用可调节拉伸偏置控制,具有末期撞击阻尼功能
- 最大屈曲角度 130°

## 活动等级

本装置仅适用于 1 级和 2 级活动等级的用户。用户体重上限见第13节,技术数据。

### 1 级活动等级

具有用假肢以固定步频在水平面上活动或行走的能力或潜力。通常为室内的受限或不受限活动者。

### 2 级活动等级

具有行走的能力或潜力,能够跨越低矮的环境障碍物,如路缘石、台阶或不平坦表面。通常为社区活动者。

### 3 级活动等级

具备以不同步频行走的能力或潜力。能够跨越大多数环境障碍物,可能需要在假肢的辅助下从事简单活动以外的职业、治疗或锻炼类活动,通常为社区活动者。

### 4 级活动等级

具有用假肢行走的能力或潜力,行走技能超过基础水平,表现出高冲击力、应力或能量等级。通常为有假肢需求的儿童、活跃型成年人或运动员。

## 不适用

本装置不适用于存在以下情况的用户：

- 肌肉极度无力、肌肉挛缩且无法正常适应，或本体感觉功能障碍，包括平衡能力差。
- 对侧关节不稳定或为病态。
- 涉及多重残疾的复杂情况。
- 需要膝关节提供屈曲功能方可下台阶或坐下的用户，包括双侧大腿截肢用户。这可能会导致制动装置损坏，从而对稳定性和耐久性造成不利影响。

## 临床优势

- 增稳型膝关节，负重时平稳激活，在站立和跨越不平坦地面时提供安全保障，然后在前掌离地时顺利放松。
- 增稳装置的回弹性可提供有限的支撑屈曲，有助于减少后跟触地时的冲击力。

---

## 2 安全须知



该警告标志用于强调必须认真遵守的重要安全信息。



膝关节的性能或功能若有任何变化，如活动受限、动作不顺畅或出现异响，都应立即报知服务提供商。在后跟触地前的末期摆动过程中，当假肢达到完全伸展状态时可能会听到伸展辅助装置发出的一些冲击噪音。



下台阶时以及任何其他时间都应始终握好扶手（若有）。避免暴露于极端高温和/或寒冷环境中。



根据设计，本装置并不用作浸水或淋浴时使用的假肢。膝关节与水发生接触后应立即擦干。



本装置不适合极限运动、赛跑、骑行比赛、冰雪运动、极陡坡面和台阶。用户从事任何上述活动都须自行承担一切风险。



本装置的组装、维护和修理只能由具备适当资质的假肢技师来进行。



维修本装置时，应确保制动鼓中没有润滑脂。



用户只能驾驶经过适当改装的机动车。操作机动车辆时，所有人员必须遵守各自适用的驾驶法规。



严禁用户自行调节或改动本装置的设置。



建议用户在身体状况出现变化时及时联系其假肢技师。



始终注意手指安全，防止夹伤。



对线完成后发生的任何足跟高度变化都可能对假肢的功能产生不利影响。

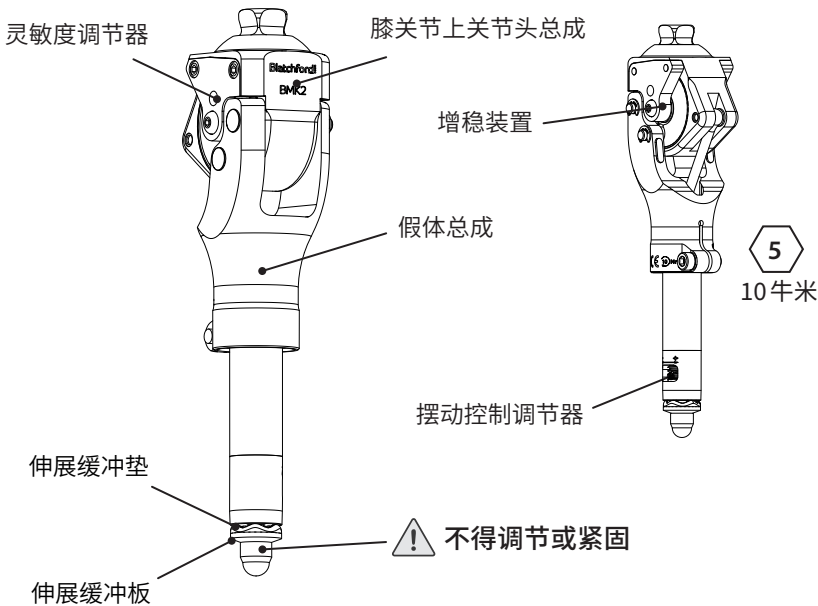
## 3 构造

### 主要部件

- 假体总成 (铝、不锈钢、聚氨酯、毛毡)
- 膝关节上关节头总成 (铝、不锈钢)
- 增稳装置 (铝、青铜、缩醛均聚物、聚氨酯、合成橡胶)

注意...增稳装置内的摩擦材料不含石棉。

### 部件识别



## 4 功能

膝关节由体重激活, 灵敏度可以设定, 以适应用户对稳定性的要求。

螺旋弹簧负责控制后跟抬升和拉伸偏置, 通过改变螺旋弹簧的压缩水平可对摆动控制进行调节。

由于制动带装置具有弹性, 该装置在制动激活期间提供支撑屈曲。

## 5 维护

维护操作必须由胜任的人士进行。

建议每年维护一次，具体操作如下：

- 检查所有非调节螺丝是否紧固（参见“构造”部分）（不得拧紧末端螺母）。
- 清洁制动片并更换拉伸止动螺丝（相关步骤参见第10节增稳装置的维护）。
- 如果出现异常噪音（如吱吱声和叽嘎声）和/或稳定性下降的情况，请对增稳装置进行维护，参见第10节，增稳装置的维护。如果噪音持续，请联系您的 Blatchford 服务代表。
- 伸展缓冲垫的磨损是可以接受的。如果完全伸展时噪音过大，应更换伸展缓冲垫。参见第11节，伸展缓冲垫的维护。
- 检查上关节头的中横向间隙是否过大。
- 如果制动带衬块的后缘已磨损至制动带的塑料部分，应更换整个制动带。（注意：单个衬块不能更换。）
- 重新组装完毕后，应确保制动带朝向正确。使用前务必检查稳定性。

必须将提供的“用户指南”交给用户，并建议用户将以下情况报知假肢技师：

- 体重或活动等级的任何变化
- 本装置在性能上的任何变化

性能变化可能包括：

- 摆动受限
- 摆动顺畅度的变化
- 支撑期稳定性降低
- 任何异响

### 清洁

用湿布与温性肥皂清洁外表面，**不得**使用腐蚀性清洁剂。使用前彻底擦干。

## 6 使用限制

### 预期使用寿命

在保修期内提供产品使用寿命保障 - 应根据活动等级和使用情况进行局部风险评估。

### 负重

用户的体重和活动应遵守所述限制。

用户应根据局部风险评估结果进行负重。

注意...本装置通过体重激活, 负重可能会加快支撑的就绪状态。

### 环境

避免将本装置暴露于腐蚀性元素中, 如水、酸和其他液体。此外, 还应避免磨蚀性环境, 例如含砂的环境, 否则可能导致过早磨损。

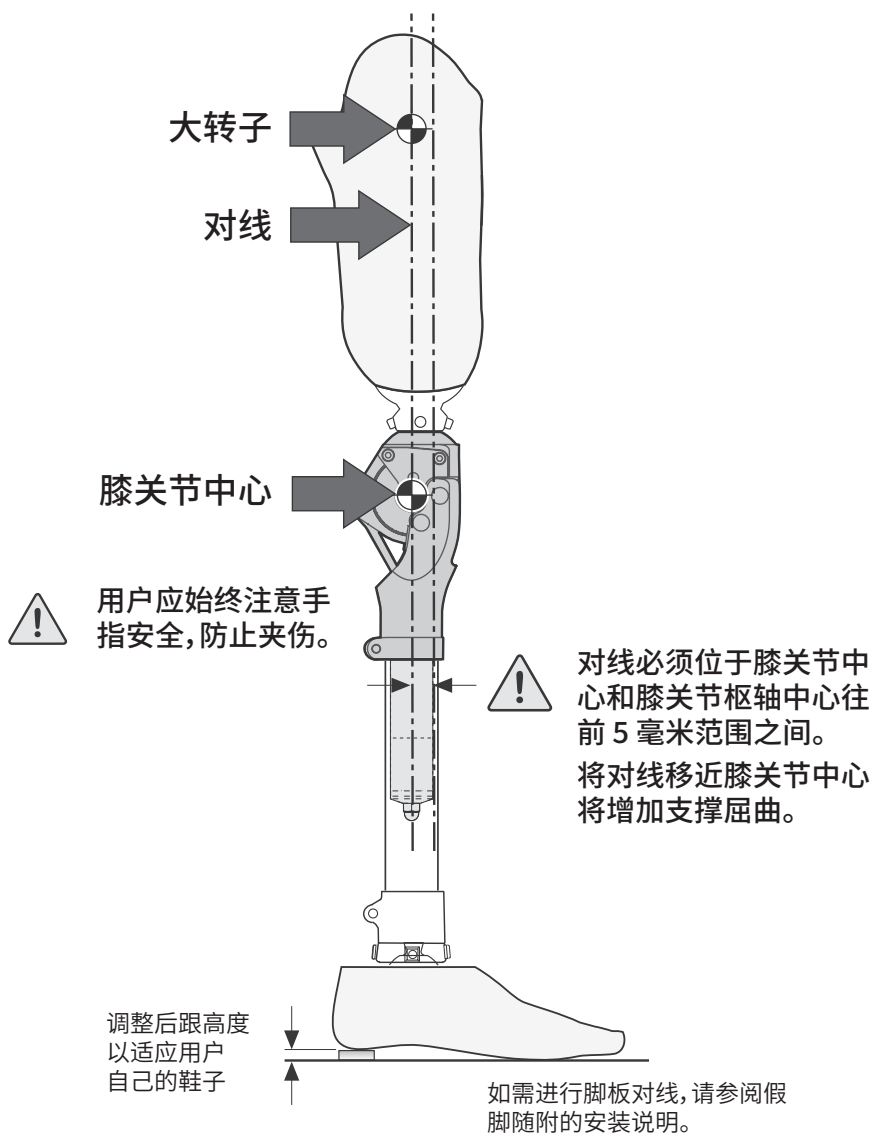


仅限在 -15°C 至 50°C 范围内使用

适合户外使用

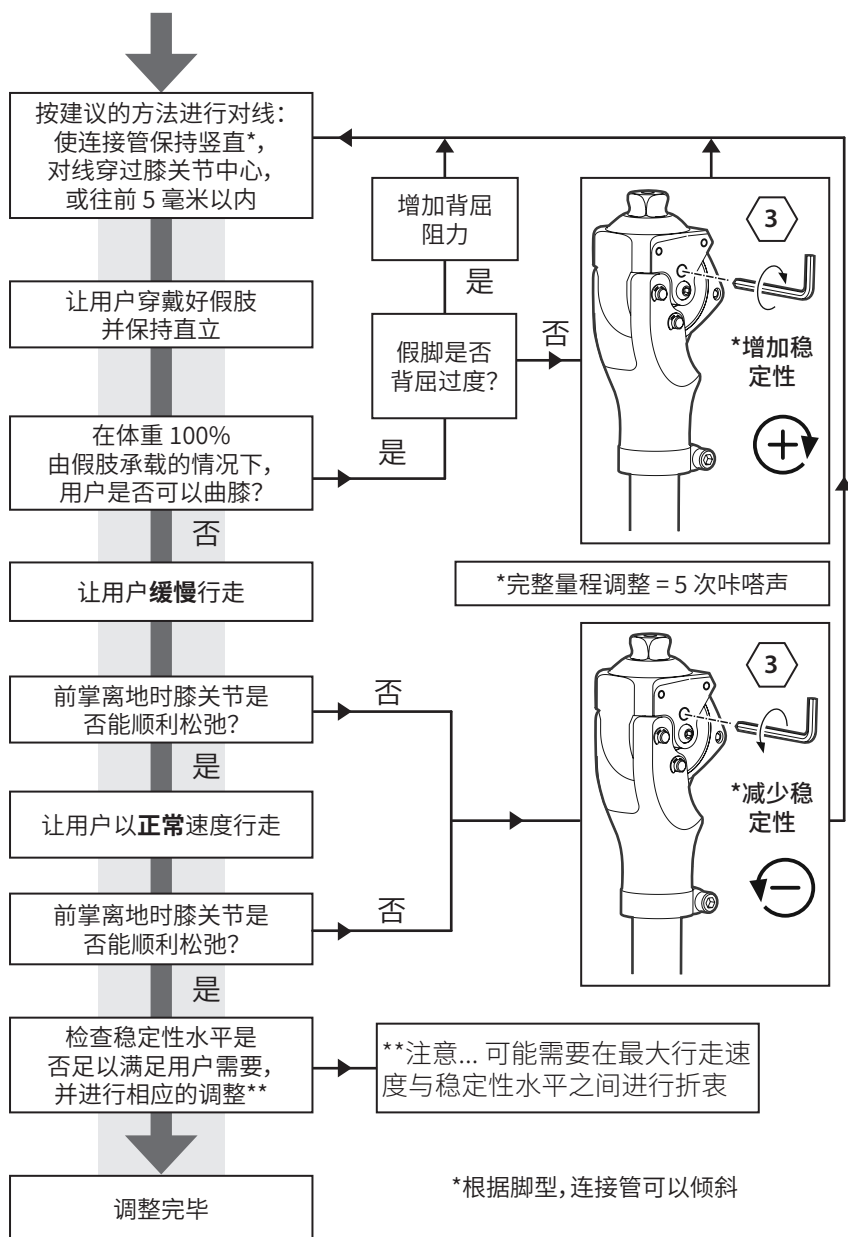
## 7 工作台对线

当对齐假肢以便与该装置配合使用时,对线的位置至关重要。膝关节应对线至几何稳定状态。当接受腔完全适应屈曲后,对线应穿过大转子 and 膝关节中心,或与其平行,位于膝关节中心往前 5 毫米以内。





## 8 对线建议与稳定性调节

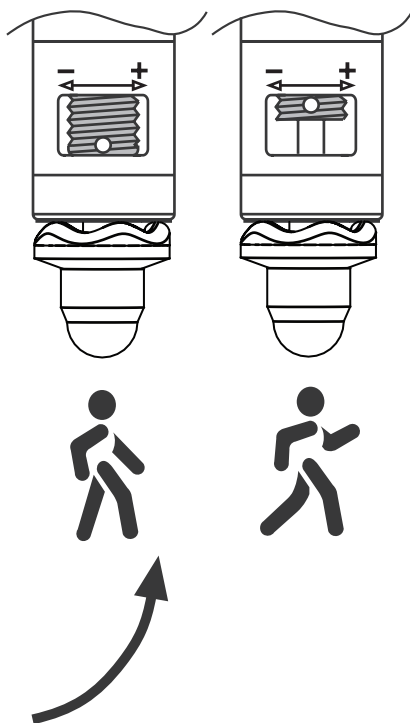
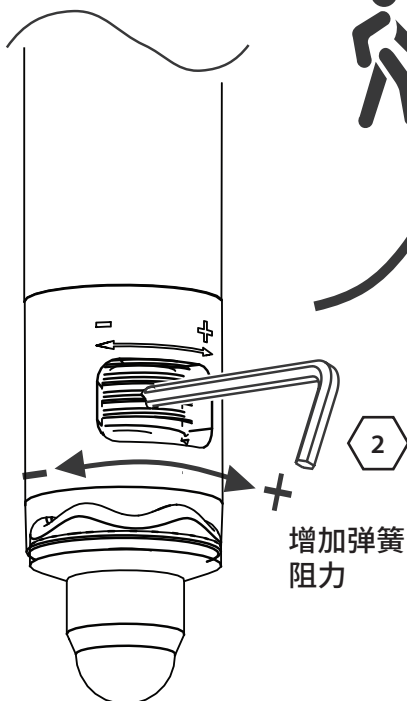
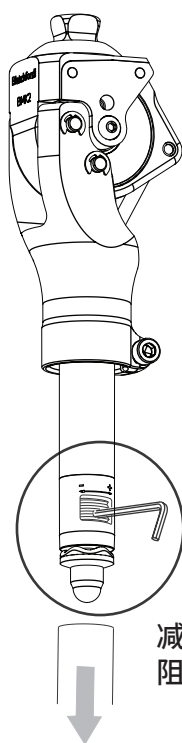


## 9 动态对线

### 摆动控制调节(拉伸偏置)

注意:如果手动操作,在完全伸展之前,可能会感觉到末期撞击阻尼;  
这属于正常现象。

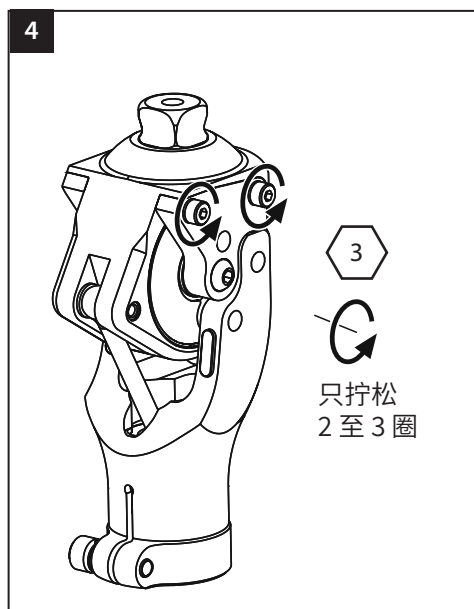
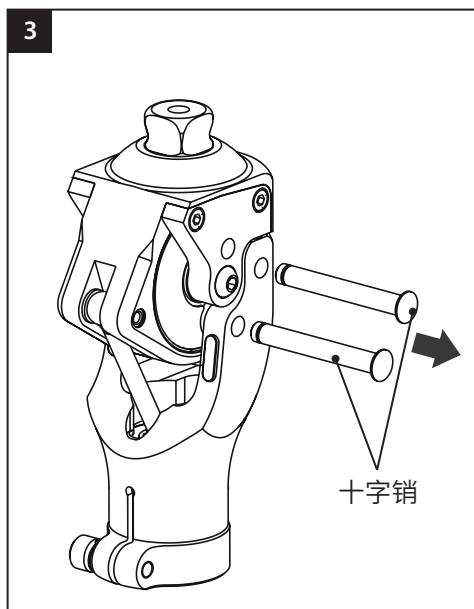
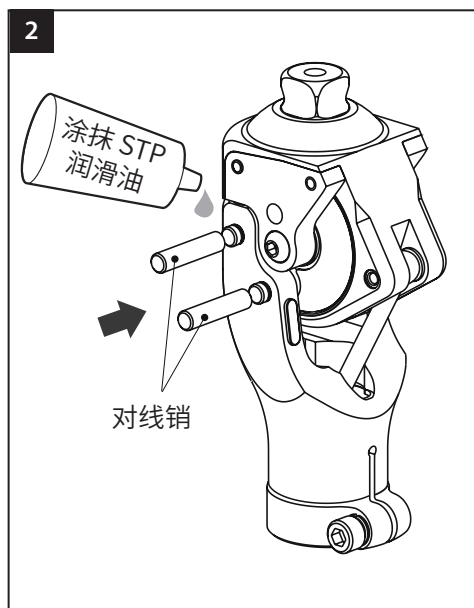
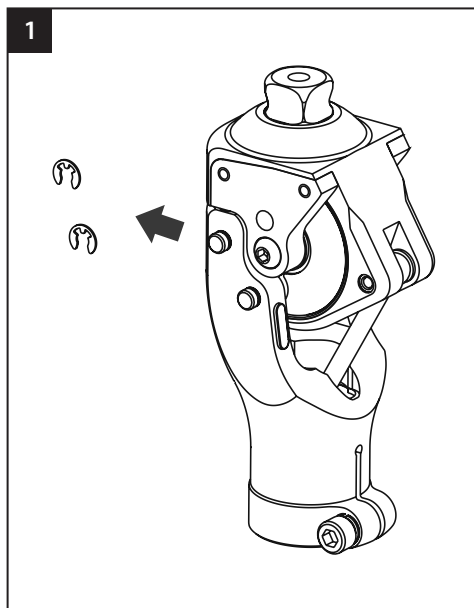
状况	解决方法
摆动过程中,后跟抬升过高或装置不能完全伸展。	增加弹簧阻力
摆动过程中后跟抬升过低,或用户感觉到了末期撞击。	减少弹簧阻力

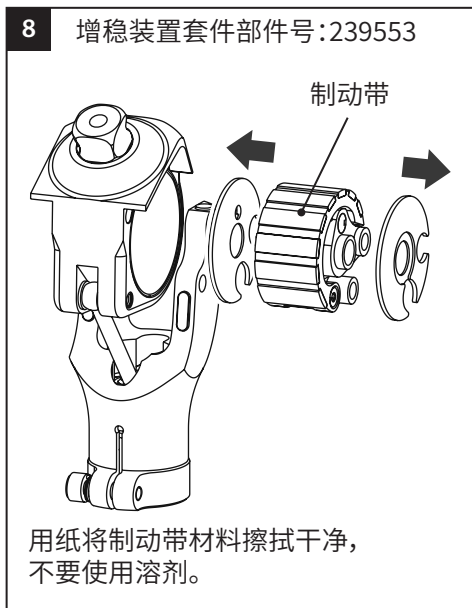
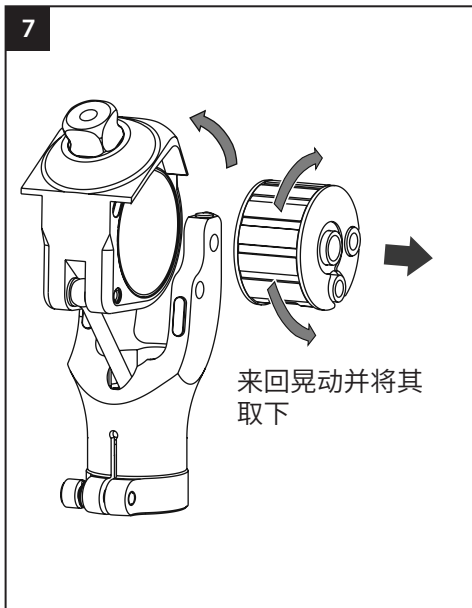
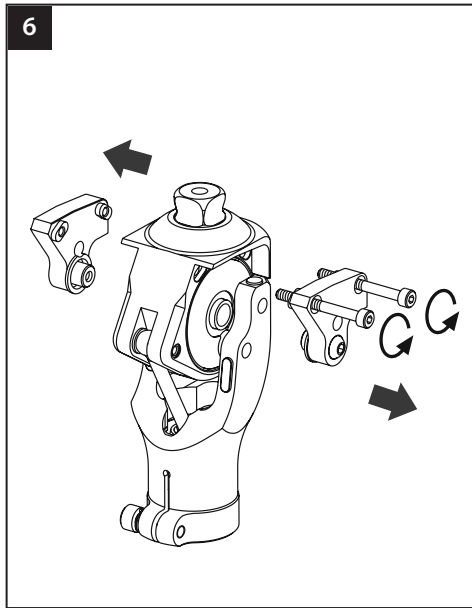
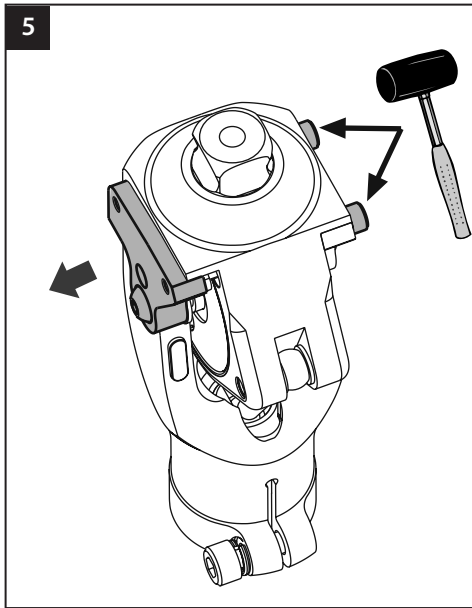


## 10 增稳装置的维护

⚠ 应始终使用适当的健康与安全设备，包括拆取设施。

⚠ 始终注意手指安全，防止夹伤。





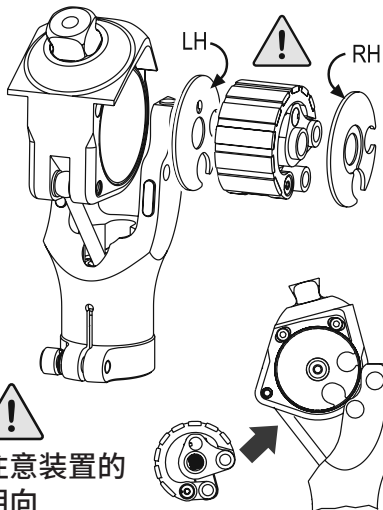
9

用适合的溶剂清洁内孔

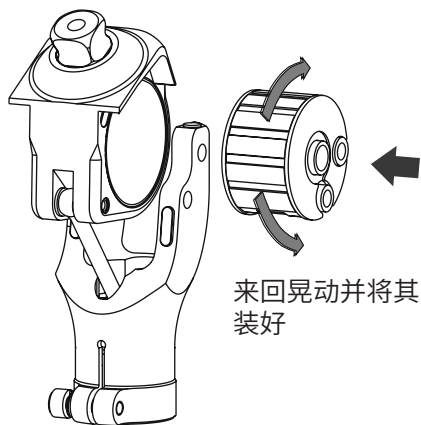


10

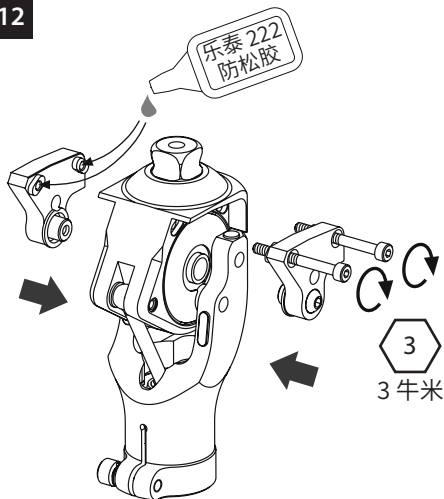
重新装配



11

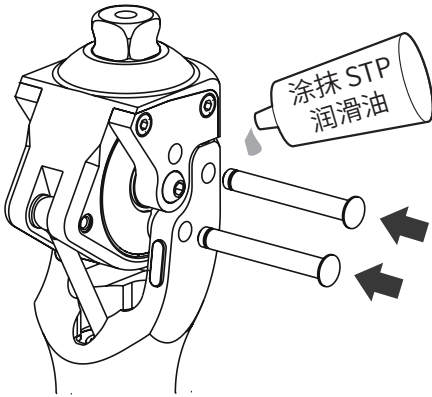


12



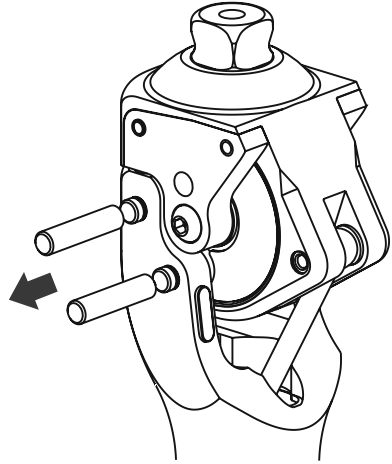
13

在十字销上涂抹一层薄薄的润滑剂  
(部件号:928105)。

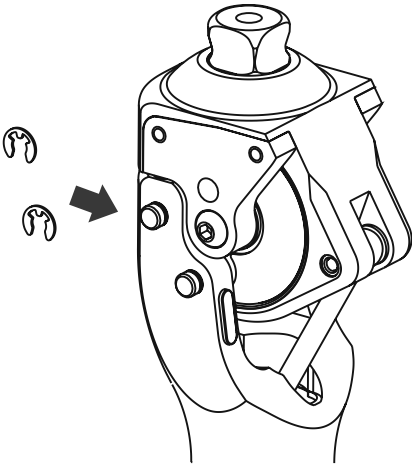


⚠ 确保没有润滑剂渗入制动鼓。  
这可能会导致本装置变得不稳定。

14



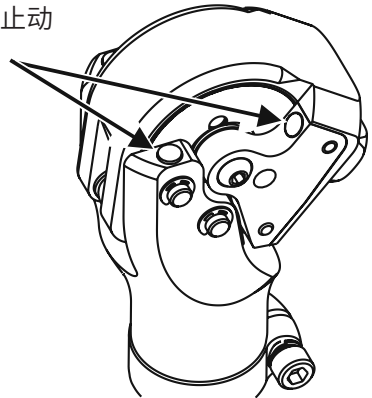
15



16

4 个拉伸止动螺丝每年应全部  
更换一次。拉伸止动螺丝套件部  
件号:239453

拉伸止动  
螺丝

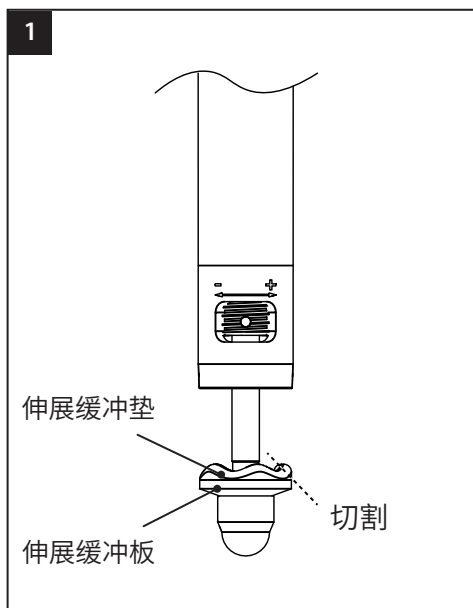


维护完成后应检查用户的稳定性调节情况,这一点很重要。  
参见“对线建议与稳定性调节”一节中的流程图。

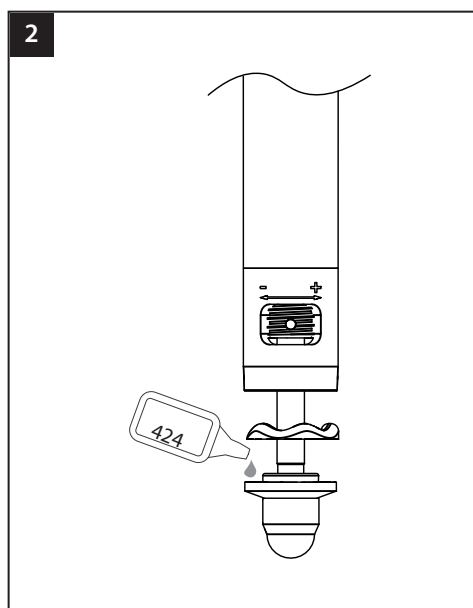
## 11 伸展缓冲垫的维护

⚠ 应始终使用适当的健康与安全设备,包括拆取设施。

⚠ 始终注意手指安全,防止夹伤。



用小刀切割并移除旧的伸展缓冲垫。  
用适合的溶剂清洁伸展缓冲板的上表面。



将新的伸展缓冲垫拉伸到伸展缓冲板上。  
用乐泰 424 防松胶将伸展缓冲垫固定到伸展缓冲板上。

## 12故障排除

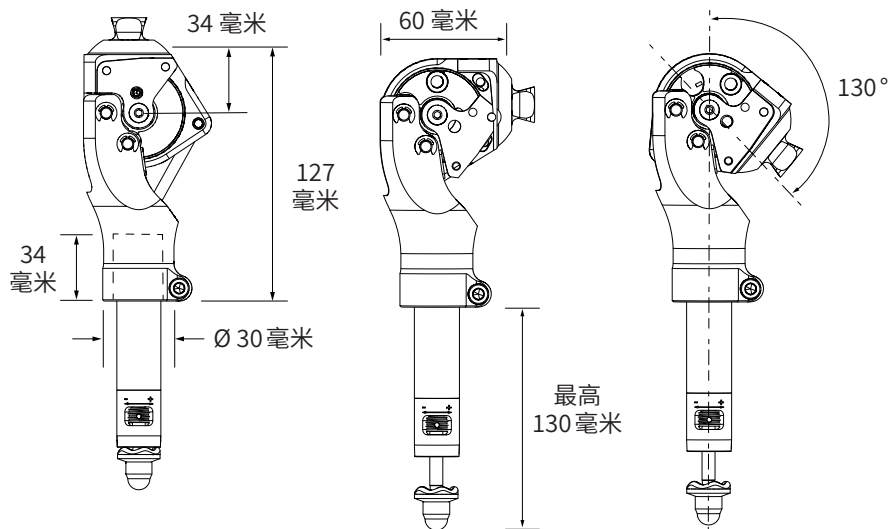
表现	解决方法
膝盖发出的噪音过大。	清洁制动带和制动鼓。 在枢轴销上涂抹润滑剂。 相关步骤参见第10节, 增稳装置的维护
膝盖不稳定。	检查稳定性调节情况。参见第8节对线建议与稳定性调节。 清洁制动鼓。 检查制动片是否有磨损, 如果制动器后缘有破损, 则更换增稳装置。 相关步骤参见第10节, 增稳装置的维护。
膝关节不松弛。	检查稳定性调节情况。参见第8节对线建议与稳定性调节。

## 13技术数据

使用和存放温度范围:	-15°C 至 50°C
部件重量:	580 g
推荐的活动等级:	2
用户体重上限:	125 kg
近端对线附件:	旋转阳方锥 (Blatchford)
末端附件	直径 30 毫米的管夹 (Blatchford)
结构高度:	127 毫米
近端方锥头至末端管尾	(+130 毫米)
[参见第 125 页的“安装高度”]	



## 安装高度



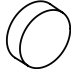

## 14 订购须知

### 订单示例

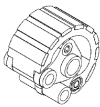


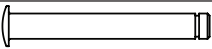

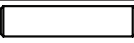
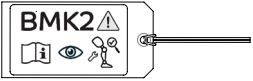

BMK2

### 14.1 备件

#### 拉伸止动螺丝套件 (239453)

描述	数量	图示
拉伸止动螺丝 - BMK2	4	
安装说明	1	

## 增稳装置套件(239553)

描述	数量	图示
紧凑型增稳装置	1	
防尘罩(左)	1	
防尘罩(右)	1	
十字销	2	
固定带外部“E”形环	2	
对线销	2	
BMK2 调节警告	1	
安装说明	1	

## 伸展缓冲垫

描述	数量	部件号	图示
伸展缓冲垫	1	B-0000021	

## 耗材

描述	数量	部件号	图示
涂抹 STP 润滑油	按需求	928105	
乐泰 222 防松胶	按需求	926001	
乐泰 424 防松胶	按需求	926104	

## 免责声明

制造商建议只在指定条件下和设计用途范围内使用本装置。本装置必须按照随附的使用说明进行维护。对于因使用未经制造商授权的任何部件组合而造成的任何不良后果，制造商概不负责。

## 欧盟合规认证

本产品符合欧盟第“2017/745”号医疗器械法规的要求。根据该法规“附录 8”所列分类规则，本产品被归为 I 类医疗器械。查看欧盟《符合性声明》证书请访问下方网址：[www.blatchford.co.uk](http://www.blatchford.co.uk)



医疗器械



单人 - 多次使用

## 兼容性

如需将其他产品与 Blatchford 品牌的产品组合使用，须根据相关标准和医疗器械法规进行测试（包括结构测试、尺寸兼容性测试和现场性能监测），测试通过后方可获准。

与其他具有 CE 认证标识的产品组合使用时，必须遵循假肢技师出具的局部风险评估意见。

## 保修

本装置自购买之日起保修 24 个月，除非另有说明。这款紧凑型增稳装置自购买之日起保修 12 个月，除非另有说明。制动带的磨损不在保修范围内。用户应注意，在未经明确许可的情况下对装置进行改动或改装，可能会造成保修、使用牌照和免责条款失效。最新完整保修声明（包括磨损）见 Blatchford 网站。

## 严重事故报告

使用本装置不大可能发生严重事故，如若发生，应报知制造商以及您所在国家的主管部门。

## 环保事项

应尽可能根据当地的废物处理法规对部件进行回收处理。

## 保留包装标签

建议您保留包装标签，作为所购装置的一份记录。

## 商标确认

Blatchford 是 Blatchford Products Limited 的注册商标。

## 制造商注册地址

 Blatchford Products Limited, Lister Road, Basingstoke RG22 4AH, UK (英国)

[blatchford.co.uk/distributors](http://blatchford.co.uk/distributors)

**Blatchford Products Ltd.**

Unit D Antura  
Kingsland Business Park  
Basingstoke  
RG24 8PZ  
UNITED KINGDOM  
Tel: +44 (0) 1256 316600  
Fax: +44 (0) 1256 316710  
Email: [customer.service@blatchford.co.uk](mailto:customer.service@blatchford.co.uk)  
[www.blatchford.co.uk](http://www.blatchford.co.uk)

**Blatchford Inc.**

1031 Byers Road  
Miamisburg  
Ohio 45342  
USA  
Tel: +1 (0) 800 548 3534  
Fax: +1 (0) 800 929 3636  
Email: [info@blatchfordus.com](mailto:info@blatchfordus.com)  
[www.blatchfordus.com](http://www.blatchfordus.com)

**Blatchford Europe GmbH**

Am Prime-Parc 4  
65479 Raunheim  
GERMANY  
Tel: +49 (0) 9221 87808 0  
Fax: +49 (0) 9221/87808 60  
Email: [info@blatchford.de](mailto:info@blatchford.de)  
[www.blatchford.de](http://www.blatchford.de)

Email: [contact@blatchford.fr](mailto:contact@blatchford.fr)  
[www.blatchford.fr](http://www.blatchford.fr)

**Endolite India Ltd.**

A4 Naraina Industrial Area  
Phase - 1  
New Delhi  
INDIA – 110028  
Tel: +91 (011) 45689955  
Fax: +91 (011) 25891543  
Email: [endolite@vsnl.com](mailto:endolite@vsnl.com)  
[www.endoliteindia.com](http://www.endoliteindia.com)

**Ortopro AS**

Hardangervegen 72  
Seksjon 17  
5224 Nesttun  
NORWAY  
Tel: +47 (0) 55 91 88 60  
Email: [post@ortopro.no](mailto:post@ortopro.no)  
[www.ortopro.no](http://www.ortopro.no)



Blatchford Europe GmbH  
Am Prime-Parc 4  
65479 Raunheim Germany

