



KX06 Datasheet

The unique, all-new KX06 features a robust, polycentric, 4-bar knee in combination with hydraulic swing and stance for a smooth, predictable operation and outstanding geometric stability in all terrain for high-impact and active users.

The resilient and waterproof design makes KX06 ideal for the active user who requires a reliable knee that can withstand wet, muddy or dusty environments.



What's new?

- ✓ Sleek and robust design
- ✓ Shorter build height by 10mm
- ✓ Waterproof
- ✓ Choice of proximal t-slot attachments
- ✓ Self-aligning bearings protect cylinder from side loads
- ✓ Strengthened bearings
- ✓ Latch to prevent self-adjustment of swing
- ✓ Sleek cover to protect



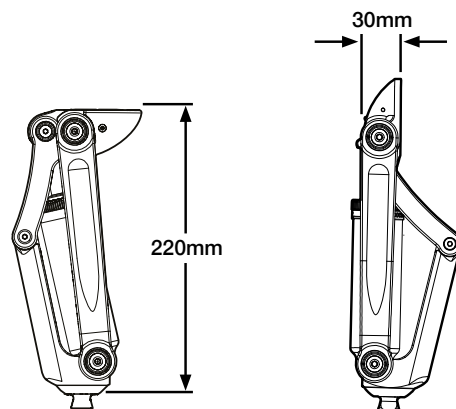
Features

All Terrain Stability	Robust Design	Easy to Use
4-bar geometric stability provides secure action on all terrain	Withstands demanding activities and environments	Fine tuning of the swing and extension resistance
Polycentric design for optimum swing clearance	Sleek and sturdy aluminium frame supporting up to 150kg	Easy selection of modes for cycling and standing support
Hydraulic control provides smooth walking	Waterproof*	Compatible with wide range of existing adapters including A-P shift for optimised alignment
Multi-speed ambulation stability	Cover provides protection from environment	Familiar design and technology – easy to upgrade patient
Large flexion angle for tight spaces and kneeling		

*Withstands submersion in fresh water. Device must be locked.

Technical Specification

Activity Level	3-4
Max. user weight	150kg (AL3) and 145kg (AL4)
Build Height	220mm
Weight	1.34kg (excluding cover)
Knee Flexion	160°
Warranty	36 months



Ordering Information

Part Number	KX06V2
--------------------	--------