

Transfemoral Suction Socket Valve Kit for Flexible Sockets

Instructions for Use

099135

EN	Instructions for Use	2
DA	Brugsanvisning	14
NO	Bruksanvisning	26
FI	Käyttöohjeet	38
SV	Bruksanvisning	50
RU	Инструкция протезиста	62
ZH	使用说明	74
AR	إرشادات الاستخدام	86

Contents



Contents	2
1 Description and Intended Purpose	3
2 Safety Information	4
3 Construction	5
4 Function.....	6
5 Maintenance	6
6 Limitations on Use	7
7 Fitting Advice.....	8
8 Assembly Instructions	9
9 Technical Data	11
10 Ordering Information	12

1 Description and Intended Purpose

These Instructions for Use are intended for use by the practitioner and user unless otherwise stated.

The term *device* is used throughout these instructions for use to refer to the Transfemoral Suction Socket Valve Kit for Flexible Sockets.

Please read and ensure you understand all instructions for use, in particular all safety information and maintenance instructions.

Application

The device is designed for use exclusively as part of a transfemoral lower limb prosthesis.

A prosthetic valve for use in suction sockets made with flexible thermoplastic socket materials.

Constructed in accordance with Blatchford socket manufacturing recommendations.

Intended for single user only.

Features

- Maintains vacuum within the socket.
- Depression of the central button allows manual ingress or expulsion of air, adjusting the level of vacuum within the socket.
- Facilitates donning/doffing by removal of the central threaded valve.

Activity Level

This device is suitable for activity levels 1 to 4; weight limits apply, see *Technical Data*, Section 9. Of course there are exceptions and in our recommendation we want to allow for unique, individual circumstances and any such decision should be made with sound and thorough justification.

Activity Level 1

Has the ability or potential to use a prosthesis for transfers or ambulation on level surfaces at fixed cadence. Typical of the limited and unlimited ambulator.

Activity Level 2

Has the ability or potential for ambulation with the ability to traverse low level environmental barriers such as curbs, stairs, or uneven surfaces. Typical of the limited community ambulator.

Activity Level 3

Has the ability or potential for ambulation with variable cadence.

Typical of the community ambulator who has the ability to traverse most environmental barriers and may have vocational, therapeutic, or exercise activity that demands prosthetic utilization beyond simple locomotion.

Activity Level 4

Has the ability or potential for prosthetic ambulation that exceeds basic ambulation skills, exhibiting high impact, stress, or energy levels. Typical of the prosthetic demands of the child, active adult, or athlete.

Contraindications

- This device is not suitable for use with rigid socket materials.
- Users must have sufficient balance, dexterity and cognitive function to use the device during donning/doffing and understand how to operate the device.
- Users with poor hand or cognitive function may find donning, operation and cleaning the device difficult.
- Poor hygiene
- This device should not be used in sockets that are not total contact.

Clinical Benefits

- Allows manual air expulsion/ ingress management for different activities and requirements.

2 Safety Information



This warning symbol highlights important safety information which must be followed carefully.



Any changes in the performance or function of the device e.g. restricted movement, non-smooth motion, unusual noises or loss of vacuum should be immediately reported to your service provider.



Always use a hand rail when descending stairs and at any other time if available.



Avoid exposure to extreme heat and/ or cold.



The device is not suitable for extreme sports, running or cycle racing, ice and snow sports, extreme slopes and steps. Any such activities undertaken are done so completely at the users' own risk. Recreational cycling is acceptable.



Be aware of finger trap hazard at all times.



Assembly, maintenance and repair of the device must only be carried out by a suitably qualified clinician.



The user must not adjust or tamper with the setup of the device.



The user should be advised to contact their practitioner if their condition changes.



Ensure only suitably retrofitted vehicles are used when driving. All persons are required to observe their respective driving laws when operating motor vehicles.



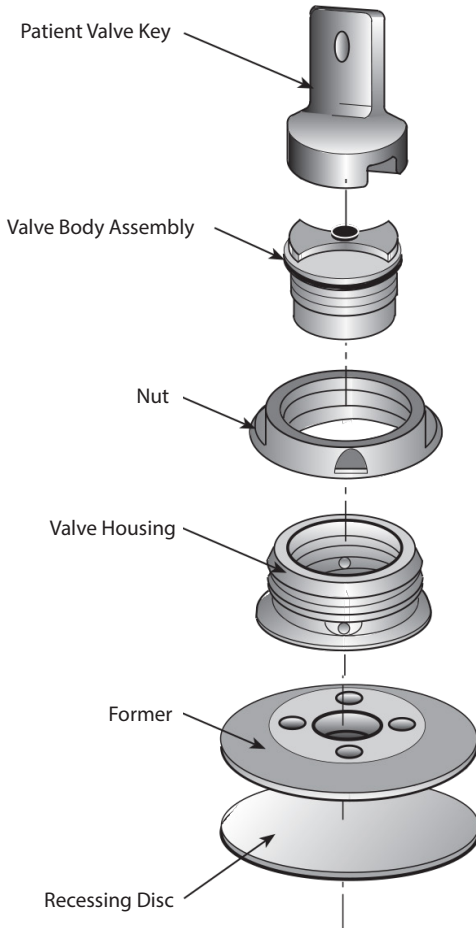
The device is designed for prolonged submersion and suitable for immersion in fresh water only. Ensure any use of the device in water complies with the conditions given in *Limitations on Use*.

3 Construction

Principal Parts

- Patient Valve Key Nylon or Acetal homopolymer
- Valve Body Assembly Acetal homopolymer
- Nut Acetal homopolymer
- Valve Housing Acetal homopolymer
- Former Acetal homopolymer
- Recessing Disc Chloroprene rubber

Component Identification



4 Function

This device provides a means of maintaining a vacuum within a prosthetic socket. The device allows for manual adjustment of that vacuum and expulsion of air via the central button. The device allows donning (pulling in) of prosthetic sockets via the removal of the central valve.

5 Maintenance

Visually check the device regularly.

Report any changes in performance of this device to the practitioner/service provider.

Changes in performance may include:

- Loss of vacuum
- Unusual noise
- Lack or loss of control/ connection
- Deterioration/ changes to the residual limb
- Tissue damage to the residual limb
- Changes in performance of the device

Inform the practitioner/service provider of any changes in body weight and/or activity level.

Use a damp cloth and mild soap to clean outside surfaces, do not use aggressive cleansers.

Cleaning the Device

The device is integrated into a prosthetic socket that should be cleaned daily to avoid any build up of bacteria. Take care handling the socket and device to avoid picking up dust, grit and other contamination which could cause irritation to the skin.

Dry thoroughly before use.

Cleaning the Residual Limb

1. Inspect residual limb before and after prosthetic limb use or at least daily. Any deterioration in residuum condition should be reported to the practitioner. If the residual limb has tissue damage, advise your practitioner for advice.
2. Clean the skin daily with an unperfumed, pH balanced soap, rinse the skin with clean water to remove all residues.
3. Dry residual limb.
4. Apply lotion to dry skin, as recommended by a practitioner.
5. Make sure that any damaged skin or open wound is properly and suitably dressed to prevent direct contact with the device.

The remaining instructions in this section are for practitioner use only.

Maintenance must be carried out only by competent personnel (practitioner or suitable trained technician).

The following routine maintenance is to be carried out at least annually.

- Check that the device functions properly, if not fault find as per *Fitting Advice*.

6 Limitations on Use

Intended Life

A local risk assessment should be carried out based upon activity and usage.

Lifting Loads

User weight and activity is governed by the stated limits.

Load carrying by the user should be based on a local risk assessment.

Environment

Avoid exposing the device to corrosive elements such as acids, industrial detergents, bleach or chlorine.

The use of creams or lotions with this device should be used with caution as these can foul the valve.

The product is waterproof to a maximum depth of 1 metre. Thoroughly rinse with fresh water after use in abrasive environments such as those that may contain sand or grit, for example, to prevent wear or damage to the device. Thoroughly rinse with fresh water after use in salt or chlorinated water.

Exclusively for use between -15 °C and 50 °C
(5 °F to 122 °F).



Suitable for submersion

7 Fitting Advice

The instructions in this section are for practitioner use only.

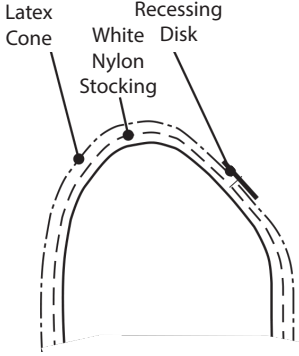
Symptom	Remedy
The device is unable to maintain vacuum	<ol style="list-style-type: none">1. Check the valve body is securely located within the prosthetic socket.2. Check the valve housing is seated correctly into the recess.3. Dismantle and clean the valve.

Consider the location of the valve on the definitive socket to suit the individual users unique requirements. Most users having a preference of the valve positioned disto-medially and slightly anteriorly in line with the adductor longus.

8 Assembly Instructions

The instructions in this section are for practitioner use only.

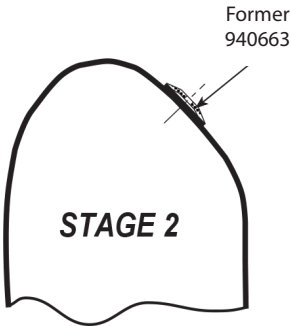
1



The diagram shows a cross-section of a plaster cast with a valve. A 'Latex Cone' is applied to the valve area, and a 'White Nylon Stocking' is pulled over the entire cast. A 'Recessing Disc' is placed on the surface of the cast, secured with double-sided tape. Dashed lines indicate the internal structure of the cast.

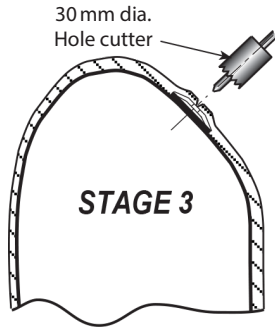
1. Locally flatten plaster cast where valve is to be fitted, ensuring area is large enough to accommodate Former 940663.
2. Fit a White Nylon Stocking and Latex Cone over the cast.
3. Apply first vacuum to form Stocking and Latex Cone to cast.
4. Locate Recessing Disc 093503 and retain in position with double sided tape.

2

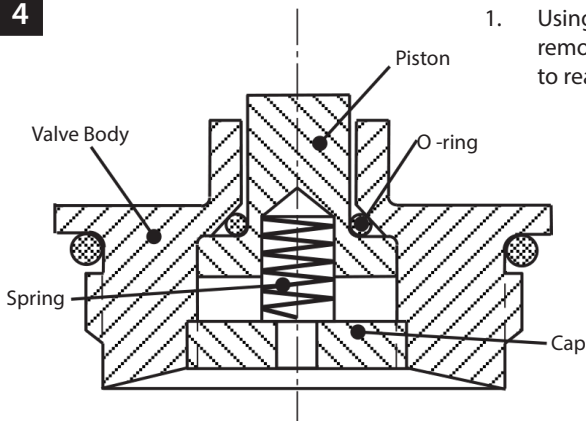


The diagram shows the 'STAGE 2' assembly. A 'Former 940663' is placed on a piece of 'Double Sided Tape' which is cut around the circumference of the cast. The former is positioned over the valve area, with the tape cut out under the center of the former to ensure the 4 off vacuum holes and the central hole are not covered.

1. Place Former on a length of Double Sided Tape (926401 - 50 mm) and cut around the circumference. Cut out tape under centre of Former to ensure the 4 off vacuum holes and the central hole are not covered.
2. Position Former with double sided tape. **Pin prick** the Latex Cone and Disc around the valve area, through the central hole and the 4 off vacuum
3. Put a sheet of very flexible Socket Material (EVA/low density Polythylene Co-polymer) in oven at 150°C for approximately 13 minutes, turning the sheet once after 6 minutes.

3

1. Drape hot plastic cone over cast and apply second vacuum. Allow to cool.
2. While still on cast centralise a 30 mm dia. Hole Cutter in the impression in the plastic formed by the central hole of the Former.
3. Build up distal end of cast/flexible socket with plaster to the knee interface. Ensure the plaster does not enter hole (plug with plasticine).
4. Pull a latex cone over the cast/flexible socket, followed by a nylon stocking to act as a wick for the vacuum.
5. Fabricate the outer container using a standard drape techniques.
6. On completion remove the outer container and remove the Former from the flexible socket.
7. Insert the Valve Housing 093501 through the hole in the flexible socket. (Use Vaseline if required). This is intended to be a tight fit **do not** enlarge hole. Tighten the Nut 093502 using Locking Ring 940063.
8. **Retighten the valve nut after 24 hours.**

4

1. Using Tool No. 940047 unscrew cap and remove and clean all internal parts prior to reassembly.

9 Technical Data

Part No:	099135 (24 mm dia orifice)
Operating and Storage Temperature Range:	-15°C to 50°C (5°F to 122°F)
Component Weight:	27 g
Activity Level:	1-4

10 Ordering Information

Part Number

099135 (24 mm dia orifice)

Spare Parts	
Patient Valve Key	940046
Valve Body Assembly	099334
Nut	093502
Valve Housing	093501
Former	940663
Recessing Disc	093503

Tools

Description	Part Number
Valve Spanner	940047

Liability

The manufacturer recommends using the device only under the specified conditions and for the intended purposes. The device must be maintained according to the instructions for use supplied with the device. The manufacturer is not liable for any adverse outcome caused by any component combinations that were not authorized by them.

CE Conformity

This product meets the requirements of the European Regulation EU 2017/745 for medical devices. This product has been classified as a class I device according to the classification rules outlined in Annex VIII of the regulation. The EU declaration of conformity certificate is available at the following internet address: www.blatchford.co.uk



Medical Device



Single Patient – multiple use

Compatibility

Combination with Blatchford branded products is approved based on testing in accordance with relevant standards and the MDR including structural test, dimensional compatibility and monitored field performance.

Combination with alternative CE marked products must be carried out in view of a documented local risk assessment carried out by a Practitioner.

Warranty

This device is warranted for 24 months.

The user should be aware that changes or modifications not expressly approved could void the warranty, operating licenses and exemptions.

See the Blatchford website for the current full warranty statement.

Reporting of Serious Incidents

In the unlikely event of a serious incident occurring in relation to this device it should be reported to the manufacturer and your national competent authority.

Environmental Aspects

This product is constructed from recyclable materials. Where possible the components should be recycled in accordance with local waste handling regulations.

Retaining the Packaging Label

The practitioner is advised to keep the packaging label as a record of the device supplied.

Trademark Acknowledgements

Registered trademarks of Blatchford Products Limited.

Manufacturer's Registered Address

Blatchford Products Limited, Lister Road, Basingstoke RG22 4AH, UK.

Indhold.....	14
1 Beskrivelse og tilsigtet formål	15
2 Sikkerhedsinformation.....	16
3 Konstruktion	17
4 Funktion.....	18
5 Vedligeholdelse	18
6 Begrænsninger i forbindelse med brugen.....	19
7 Rådgivning vedrørende tilpasning.....	20
8 Monteringsanvisninger.....	21
9 Tekniske data	23
10 Bestillingsoplysninger	24

1 Beskrivelse og tilsigtet formål

Denne brugsanvisning er beregnet til brug for den praktiserende læge og brugeren, medmindre andet er angivet.

Udtrykket *anordning* anvendes i hele denne brugsanvisning og henviser til sættet med transfemoralt hylster med sugeventil til fleksible hylstre.

Gennemlæs venligst hele brugsanvisningen, og sørg for, at du forstår den, især alle anvisninger vedrørende sikkerhedsinformation og vedligeholdelse.

Anvendelse

Denne anordning er udelukkende designet til brug som del af en transfemorale underbensprotese.

En proteseventil til brug med sugende hylstre, som er fremstillet med fleksible, termoplastiske hylstermaterialer.

Udformet i overensstemmelse med anbefalingerne vedrørende fremstilling af hylstre fra Blatchford.

Kun beregnet til en enkelt bruger.

Funktioner

- Opretholder vakuum indeni hylstret.
- Når der trykkes ned på midterknappen, muliggør det manuel styring af indtagning eller udstødning af luft, hvilket justerer vakuumniveauet indeni hylstret.
- Når den midterste ventil med gevind fjernes, gøres påsætning/aftagning nemmere.

Aktivitetsniveau

Denne anordning er egnet til aktivitetsniveau 1-4. Vægtbegrænsninger gælder, se *Tekniske data* i afsnit 9.

Der er naturligvis undtagelser, og i vores anbefaling tager vi højde for unikke, individuelle omstændigheder, og enhver sådan beslutning skal træffes med en velfunderet og grundig begrundelse.

Aktivitetsniveau 1

Har evnen eller potentialet til at bruge en protese til forflytninger eller gang på plane overflader med en jævn gangrytme. Typisk for en person, der bruger protesen til begrænset og ubegrænset gang indendørs.

Aktivitetsniveau 2

Har evnen eller potentialet til gang og kan krydse lave forhindringer i omgivelserne såsom kantsten, trappetrin eller ujævne overflader. Typisk for en person, der bruger protesen til begrænset og ubegrænset gang udendørs.

Aktivitetsniveau 3

Har evnen eller potentialet til gang med en skiftende gangrytme.

Typisk for en person, der kan gå udendørs, kan krydse de fleste forhindringer i omgivelserne, og kan have erhvervs-mæssig-, terapeutisk- eller træningsaktivitet, der kræver brug af protesen til andet end simpel bevægelse.

Aktivitetsniveau 4

Har evnen eller potentialet til at gå med en benprotese, der overgår almindelige gangfærdigheder og kan klare høje niveauer af nedslag, stres og energi. Typisk for barnets, den aktive voksnes eller atletens krav til en benprotese.

Kontraindikationer

- Denne anordning er ikke egnet til brug sammen med stive hylstermaterialer.
- Brugere skal have tilstrækkelig balance, behændighed og kognitiv funktion til at kunne anvende anordningen ved påsætning/aftagning og kunne forstå, hvordan anordningen fungerer.
- Brugere med nedsat kraft i hænderne eller dårlig kognitiv funktion vil muligvis finde det vanskeligt at påsætte, betjene og rengøre anordningen.
- Dårlig hygiejne
- Denne anordning må ikke anvendes i hylstre, som ikke er i fuldstændig kontakt.

Kliniske fordele

- Muliggør manuel styring af udstødning/indtagning af luft i forbindelse med forskellige aktiviteter og behov.

2 Sikkerhedsinformation



Dette advarselssymbol fremhæver vigtig sikkerhedsinformation, som skal følges nøje.



Enhver ændring i anordningens ydeevne eller funktion, f.eks. begrænset bevægelse, ujævn bevægelse, mislyde eller tab af vakuum skal omgående rapporteres til serviceudbyderen.



Brug altid et gelænder, når du går ned ad trapper og på alle andre tidspunkter, når der forefindes gelænder.



Undgå eksponering for ekstrem varme og/eller kulde.



Anordningen er ikke egnet til ekstrem sport, løb eller cykelløb, sportsudøvelse på is eller i sne, ekstreme hældninger og trappetrin. Alle slags aktiviteter af denne art er udelukkende på brugerens egen risiko. Motionscyklung kan accepteres.



Vær til enhver tid opmærksom på risikoen for at få fingrene i klemme.



Montering, vedligeholdelse og reparation af anordningen må kun udføres af en læge med relevant uddannelse.



Brugeren må ikke justere eller ændre på opsætningen af anordningen.



Brugeren bør rådes til at kontakte sin praktiserende læge, hvis hans eller hendes tilstand ændres.



Sørg for, at der kun anvendes hensigtsmæssigt eftermonterede køretøjer under kørsel i bil. Alle personer er forpligtet til at overholde deres respektive kørebestemmelser, når de betjener motorkøretøjer.



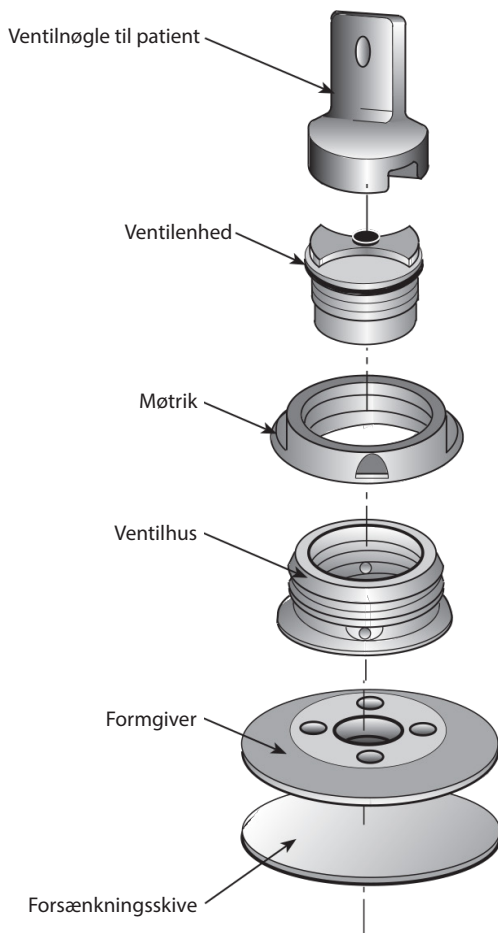
Anordningen er designet til længerevarende nedsækning, men er udelukkende egnet til nedsækning i ferskvand. Sørg for, at enhver brug af anordningen i vand er i overensstemmelse med betingelserne i *Begrænsninger i forbindelse med brugen.*

3 Konstruktion

Vigtige dele

- Ventilnøgle til patient Nylon eller acetal homopolymer
- Ventilenhed Acetal homopolymer
- Møtrik Acetal homopolymer
- Ventilhus Acetal homopolymer
- Formgiver Acetal homopolymer
- Forsænkningsskive Kloropren gummi

Komponentidentifikation



4 Funktion

Denne anordning tilvejebringer en måde, hvorpå et vakuum kan opretholdes i et protesehylster. Anordningen muliggør manuel justering af dette vakuum og udstødning af luft via midterknappen. Anordningen muliggør påsætning (indtrækning) af protesehylstre via fjernelse af midterventilen.

5 Vedligeholdelse

Efterse anordningen med jævne mellemrum.

Rapportér eventuelle ændringer i denne anordnings ydeevne til den praktiserende læge/serviceudbyderen.

Ændringer i ydeevnen kan omfatte:

- Tab af vakuum
- Mislyde
- Mangel på eller tab af kontrol/forbindelse
- Forringelse/ændringer af stumpen
- Vævsskade på stumpen
- Ændringer i anordningens ydeevne

Informér den praktiserende læge/serviceudbyderen, hvis der er ændringer kropsvægt og/eller aktivitetsniveau.

Brug en fugtig klud og mild sæbe til at rengøre udvendige overflader. Brug ikke aggressive rengøringsmidler.

Rengøring af anordningen

Anordningen er integreret i et protesehylster, der skal rengøres dagligt for at undgå ophobning af bakterier. Udvis forsigtighed under håndtering af hylstret og anordningen med henblik på at undgå, at der opsamles støv, partikler og anden kontaminering, hvilket kan medføre hudirritation.

Lad tørre helt inden brug.

Rengøring af stumpen

1. Efterse stumpen inden og efter brug af protesen, eller dagligt som minimum. Enhver forringelse i stumpens tilstand skal rapporteres til den praktiserende læge. Hvis der opstår vævsskade på stumpen, skal du spørge din praktiserende læge til råds.
2. Rens huden dagligt med en uparfumeret, pH-neutral sæbe, og rengør huden med frisk vand for at fjerne alle rester.
3. Tør stumpen.
4. Påfør creme på tør hud ifølge den praktiserende læges anbefaling.
5. Sørg for, at eventuel beskadiget hud eller et åbent sår forbindes korrekt for at forhindre direkte kontakt med anordningen.

De resterende anvisninger i dette afsnit er kun beregnet for den praktiserende læge.

Vedligeholdelse må kun udføres af kompetent personale (praktiserende læge eller relevant, uddannet tekniker).

Følgende rutinevedligeholdelse skal udføres mindst en gang om året:

- Kontrollér, at anordningen fungerer korrekt. Hvis dette ikke er tilfældet, kan der udføres fejlfinding ifølge *Rådgivning vedrørende tilpasning*.

6 Begrænsninger i forbindelse med brugen

Forventet levetid

En lokal risikovurdering baseret på aktivitet og brugslængde skal udføres.

Belastning ved løft af byrder

Brugerens vægt og aktivitet er underlagt de angivne grænser.

Byrder, der må bæres af brugeren, skal baseres på en lokal risikovurdering.

Miljø

Undgå at udsætte anordningen for ætsende elementer såsom syrer, industrielle rengøringsmidler, blegemiddel eller klor.

Brug af creme eller lotion sammen med denne anordning bør foregå med forsigtighed, da disse kan tilsmudse ventilen.

Produktet er vandtæt indtil en dybde på maksimalt 1 meter. Skyl grundigt med rent vand efter brug i slibende miljøer, som f.eks. sand eller grus, for at forhindre slid eller beskadigelse af anordningen. Skyl grundigt med rent vand efter brug i salt- eller klorinholdigt vand.

Må kun anvendes ved temperaturer mellem -15 °C og 50 °C.



Egnet til nedsænkning

7 Rådgivning vedrørende tilpasning

Anvisningerne i dette afsnit er kun beregnet til brug for den praktiserende læge.

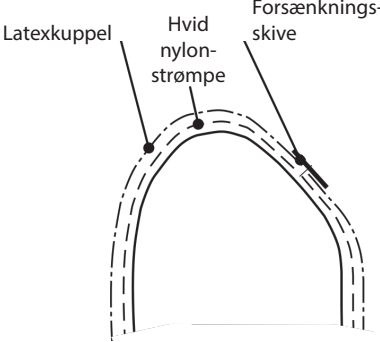
Symptom	Afhjælpning
Anordningen kan ikke opretholde vakuum	<ol style="list-style-type: none">1. Kontrollér, at ventilens hoveddel er placeret indeni protesehylstret.2. Kontrollér, at ventilens hus er korrekt placeret i fordybningen.3. Afmontér og rengør ventilen.

Undersøg, hvordan ventilen bedst kan placeres på det færdige hylster, så den passer til den enkelte brugers unikke behov. De fleste brugere foretrækker, at ventilen placeres distalt-medialt og en smule anteriort på linje med adduktor longus.

8 Monteringsanvisninger

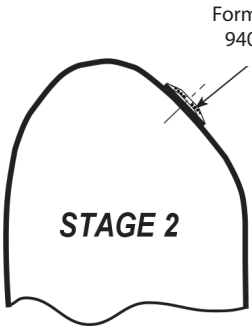
Anvisningerne i dette afsnit er kun beregnet til brug for den praktiserende læge.

1

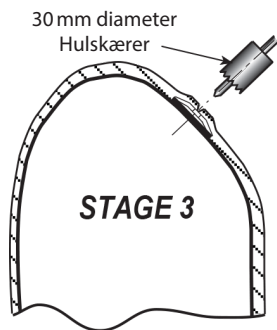


1. Udglat plaststøbningen lokalt, på det sted hvor ventilen skal monteres, mens det sikres, at området er stort nok til at tilpasse formgiveren (940663).
2. Monter en hvid nylonstrømpe og en latexkuppel ovenpå støbningen.
3. Start med at anvende vakuum for at forme strømpen og kuplen til støbningen
4. Anbring forsænkningsskiven (093503), og hold den fast i position med dobbeltklæbende tape.

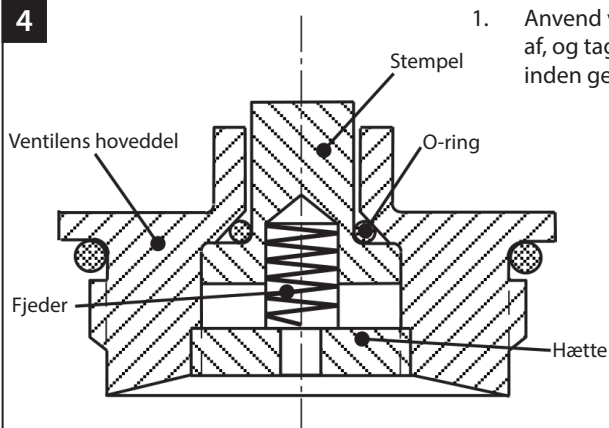
2



1. Placér formgiveren på et stykke dobbeltklæbende tape (926401 - 50 mm), og klip rundt i kanten. Skær tapen væk under formgiverens midte for at sikre, at de 4 huller til "vakuum fra" ikke er dækket.
2. Sæt formgiveren fast med dobbeltklæbende tape.
Prik hul med en stift i latexkuppen og igennem det midterste hul i skiven omkring ventilområdet og igennem de 4 huller til "vakuum fra"
3. Læg et stykke meget fleksibelt hylstermateriale (EVA/co-polymer af polythylen med lav densitet) i ovnen ved 150 °C i ca.13 minutter, og vend stykket efter 6 minutter.

3

1. Beklæd støbningen med varm plastik, og påfør sekundært vakuum. Lad nedkøle.
2. Midterstil en hulskaerer med 30 mm diameter i forsænkningen i plastikken, der er dannet af formgiverens centrale hul, mens den stadig befinder sig i støbningen.
3. Opbyg den distale ende af støbningen/ det fleksible hylster med plastmateriale på kontaktfladen til knæet. Sørg for, at plastmaterialet ikke trænger ind i hullet (sæt en plasticin-prop i).
4. Træk en latexkuppel hen over støbningen/ det fleksible hylster efterfulgt af en nylonstrømpe, som virker som en gazetampon for vakuomet.
5. Beklæd den ydre beholder ved brug af standardafdækningsteknikker.
6. Når du er færdig, skal du fjerne den ydre beholder og fjerne formgiveren fra det fleksible hylster.
7. Isæt ventilhuset (093501) gennem hullet i det fleksible hylster. (Brug vaseline om nødvendigt). Dette er beregnet til at være stramt. **Undlad** at gøre hullet større. Stram møtrikken (093502) ved brug af låseringen (940063).
8. **Stram ventilens møtrik til igen efter 24 timer.**

4

1. Anvend værktøjsnr. 940047, skru hættens af, og tag alle dele ud, og rengør dem inden genmontering.

9 Tekniske data

Delnr.	099135 (åbning, 24 mm i diameter)
Temperaturområde for betjening og opbevaring:	-15°C til 50°C
Komponentens vægt:	27 g
Aktivitetsniveau:	1-4

10 Bestillingsoplysninger

Delnummer

099135 (åbning, 24 mm i diameter)

Reserve dele	
Ventilnøgle til patient	940046
Ventilenhed	099334
Møtrik	093502
Ventilhus	093501
Formgiver	940663
Forsænkningsskive	093503

Værktøjer

Beskrivelse	Delnummer
Ventilnøgle	940047

Ansvar

Producenten anbefaler, at anordningen udelukkende bruges under de specificerede forhold og til de tilsigtede formål. Anordningen skal vedligeholdes i henhold til brugsanvisningen, der følger med anordningen. Producenten er ikke ansvarlig for nogle negative resultater, der skyldes komponentkombinationer, der ikke er godkendt af producenten.

CE-overensstemmelse

Dette produkt opfylder kravene i den Europæiske forordning EU 2017/745 for medicinsk udstyr. Dette produkt er klassificeret som klasse I-udstyr i henhold til klassificeringskriterierne, der er beskrevet i bilag VIII til forordningen. Certifikatet for EU-overensstemmelseserklæringen er tilgængeligt på følgende internetadresse: www.blatchford.co.uk



Medicinsk udstyr



Enkelt patient – flergangsbrug

Kompatibilitet

Kombination med Blatchford-mærkevarer er godkendt baseret på testning i overensstemmelse med relevante standarder og direktivet om medicinsk udstyr, herunder strukturel test, dimensionskompatibilitet og monitoreret feltpræstation.

Kombination med alternative CE-mærkede produkter skal udføres på grundlag af en dokumenteret lokal risikovurdering udført af en praktiserende læge.

Garanti

Der ydes 24 måneders garanti på anordningen.

Brugeren skal være opmærksom på, at ændringer eller modifikationer, der ikke udtrykkeligt er godkendt, kan annullere garantien, driftslicenser og undtagelser.

Gå til Blatchford-webstedet for at få den aktuelle fulde garantierklæring.

Rapportering af alvorlige hændelser

I det usandsynlige tilfælde, at der opstår en alvorlig hændelse i forbindelse med denne anordning, skal den rapporteres til producenten og den nationale tilsynsmyndighed.

Miljømæssige aspekter

Dette produkt er fremstillet af genanvendelige materialer. Hvor det er muligt, skal komponenterne genbruges i overensstemmelse med lokale regler for affaldshåndtering.

Opbevaring af emballagens etiket

Den praktiserende læge rådes til at opbevare emballagens etiket som en fortegnelse over den leverede anordning.

Anerkendelse af varemærket

Registrerede varemærker tilhørende Blatchford Products Limited.

Producentens registrerede adresse

Blatchford Products Limited, Lister Road, Basingstoke RG22 4AH, Storbritannien.

Innhold.....	26
1 Beskrivelse og tiltenkt formål	27
2 Sikkerhetsinformasjon.....	28
3 Konstruksjon.....	29
4 Funksjon	30
5 Vedlikehold.....	30
6 Begrensninger i bruken	31
7 Råd om passform	32
8 Monteringsinstruksjoner	33
9 Tekniske data	35
10 Bestillingsinformasjon.....	36

1 Beskrivelse og tiltenkt formål

Denne bruksanvisningen er for legen og brukeren, med mindre annet er oppgitt.

Begrepet *enhet* brukes i denne bruksanvisningen for å referere til ventilsettet for transfemoral sugeventil for fleksible hylser.

Les og sørg for at du forstår alle instruksjonene for bruk, særlig all sikkerhetsinformasjon og alle vedlikeholdsinstruksjoner.

Bruksområde

Enheten er utelukkende designet for bruk som en del av en transfemoral protese for nedre ekstremiteter.

En proteseventil for bruk i sugehylser laget av fleksible, termoplastiske hylsematerialer.

Bygget i samsvar med Blatchfords produksjonsanbefalinger for hylser.

Kun beregnet for én enkelt bruker.

Egenskaper

- Opprettholder vakuum i hylsen.
- Ved å trykke den midtre knappen ned for å tillate manuelt inntak eller utstøting av luft, slik at vakuumnivået justeres i hylsen.
- Gjør det enklere å ta på/av hylsen ved å fjerne den midtre gjengede ventilen.

Aktivitetsnivå

Enheten er egnet for aktivitetsnivåer 1 til 4, og den er underlagt vektgrenser. Se *Tekniske data* i avsnitt 9.

Selvfølgelig finnes det unntak, og i anbefalingen vår ønsker vi å gi rom for unike, individuelle omstendigheter, og enhver beslutning skal tas på bakgrunn av en grundig vurdering.

Aktivitetsnivå 1

Kan bruke protese når han/hun reiser seg eller setter seg ned, eller forflytter seg på jevne overflater med jevn skritthastighet. Typisk for en person som beveger seg hjemme med og uten begrensninger.

Aktivitetsnivå 2

Kan forflytte seg normalt, samt stige over lave hindringer i miljøet, slik som fortauskanter, trapper eller ujevne overflater. Typisk for en person som beveger seg litt i nærmiljøet.

Aktivitetsnivå 3

Kan forflytte seg normalt med variabel skritthastighet.

Typisk for en person som beveger seg i nærmiljøet, og som kan stige over de fleste hindringer i miljøet. Han/hun kan også ha behov for å kunne utføre aktiviteter i forbindelse med yrket sitt, terapi eller trening som krever bruk av protesen utover enkel bevegelse.

Aktivitetsnivå 4

Kan forflytte seg med protesen på et nivå som overgår grunnleggende ambuleringsferdigheter, og har høyt støt-, belastnings- eller energinivå. Typiske krav til en protese for et barn, en aktiv voksen eller en idrettsutøver.

Kontraindikasjoner

- Enheten er ikke egnet for bruk med stive hylsematerialer.
- Brukere må ha tilstrekkelig balanse, fysiske ferdigheter og kognitiv funksjon til å bruke enheten når den tas på/av, og til å forstå hvordan den betjenes.
- Brukere med dårlig hånd- og kognitiv funksjon kan ha problemer med å ta enheten av og på, samt å bruke og rengjøre den.
- Dårlig hygiene
- Denne enheten skal ikke brukes i hylser som ikke har full kontakt.

Kliniske fordeler

- Gjør manuelt inntak/utstøting av luft mulig for ulike aktiviteter og behov.

2 Sikkerhetsinformasjon



Dette advarselssymbolet fremhever viktig sikkerhetsinformasjon som må følges nøye.



Eventuelle endringer i ytelsen eller funksjonen til enheten, f.eks. begrenset bevegelse, ujevn bevegelse, uvanlige lyder eller tap av vakuum skal umiddelbart rapporteres til tjenesteleverandøren.



Bruk alltid et rekkverk når du går ned trapper og når som helst ellers hvis det er mulig.



Unngå å utsette enheten for ekstrem varme og/eller kulde.



Enheten er ikke egnet for ekstremsport, løping eller sykling, vinteridrett, svært bratte bakker/løyper og trappetrinn. Alle slike aktiviteter utføres helt og holdent på brukerens egen risiko. Rolig sykling er akseptabelt.



Vær alltid oppmerksom på at fingrene kan komme i klem.



Montering, vedlikehold og reparasjon av enheten må bare utføres av en kvalifisert kliniker.



Brukeren må ikke justere eller tukle med monteringen av enheten.



Brukeren skal informeres om å kontakte legen sin hvis deres tilstand endrer seg.



Forsikre deg om at bare kjøretøyer med passende ettermontering brukes når du kjører. Alle personer må overholde gjeldende vegtrafikklover når de bruker motorvogner.



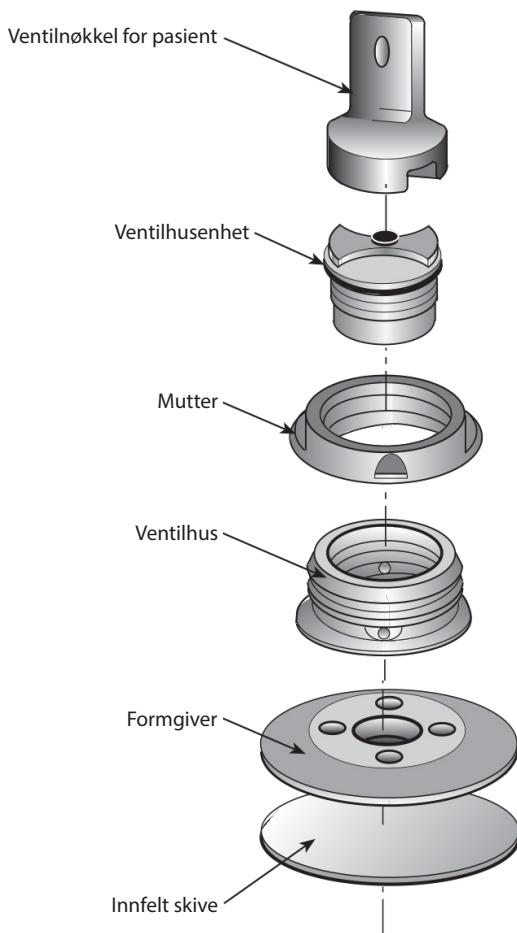
Enheten er designet for lengre tids nedsenkning, men er kun egnet for nedsenkning i ferskvann. Påse at all bruk i vann overholder vilkårene angitt i *Begrensninger i bruken*.

3 Konstruksjon

Hoveddeler

- Ventilnøkkel for pasient Nylon eller acetalhomopolymer
- Ventilhusenhet Acetalhomopolymer
- Mutter Acetalhomopolymer
- Ventilhus Acetalhomopolymer
- Formgiver Acetalhomopolymer
- Innfelt skive Kloroprengummi

Komponentidentifisering



4 Funksjon

Denne enheten gjør det mulig å opprettholde et vakuum i en protesehylse. Vakuomet kan justeres manuelt på enheten, og luft kan støtes ut ved bruk av knappen i midten. Enheten gjør det mulig å ta på (trekke inn) protesehylser ved fjerning av sentralventilen.

5 Vedlikehold

Sjekk enheten visuelt jevnlig.

Rapporter eventuelle endringer i ytelsen til denne enheten til legen/leverandøren.

Endringer i ytelse kan omfatte:

- Tap av vakuum
- Uvanlige lyder
- Mangel eller tap av kontroll/tilkobling
- Forverring/endringer på gjenværende lem
- Vevsskade på gjenværende lem
- Endringer i enhetens ytelse

Informér legen/leverandøren om endringer i kroppsvekt og/eller aktivitetsnivå.

Bruk en fuktig klut og mild såpe for å rengjøre utvendige overflater, ikke bruk aggressive rengjøringsmidler.

Rengjøring av enheten

Enheten er integrert i en protesehylse som skal rengjøres daglig for å unngå opphopning av bakterier. Vær forsiktig ved håndtering av hylsen og enheten for å unngå å fange opp støv, grus og andre forurensninger som kan føre til hudirritasjon.

Tørk nøye før bruk.

Rengjøring av gjenværende lem

1. Inspiser gjenværende lem før og etter bruk av protesen, eller minst daglig. Eventuell forverring av det gjenværende lemmets tilstand skal rapporteres til legen. Hvis det gjenværende lemmet har vevsskade, spør legen din om råd.
2. Rengjør huden daglig med en pH-balansert såpe uten parfyme. Skyll huden med rent vann for å fjerne alle rester.
3. Tørk gjenværende lem.
4. Påfør krem på tørr hud, som anbefalt av lege.
5. Sørg for at skadet hud eller åpne sår bandasjeres korrekt og hensiktsmessig for å unngå direkte kontakt med enheten.

Resten av instruksjonene i avsnittet er kun ment for legen.

Vedlikehold må kun utføres av kompetent personell (lege eller utdannet tekniker).

Følgende rutinemessige vedlikehold må gjennomføres minst én gang i året.

- Sjekk at enheten fungerer korrekt, hvis ikke kan du feilsøke i henhold til *Råd om passform*.

6 Begrensninger i bruken

Tiltenkt levetid

En lokal risikovurdering skal utføres basert på aktivitet og bruk.

Løftebelastninger

Brukervekt og aktivitet bestemmes av de angitte grensene.

Lastbæring av brukeren skal være basert på en lokal risikovurdering.

Miljø

Unngå å utsette enheten for etsende elementer som syrer, industrielle vaskemidler, blekemiddel eller klorin.

Man skal være forsiktig ved bruk av krem sammen med enheten, fordi det kan føre til at ventilen tilgrises.

Produktet er vanntett til en dybde på maks. 1 meter. Skyll grundig med ferskvann etter bruk i slipende miljøer som f.eks. kan inneholde sand eller grus. Dette må gjøres for å forhindre slitasje eller skade på enheten. Skyll grundig med ferskvann etter bruk i salt eller klorert vann.

Utelukkende for bruk mellom -15 og 50 °C



Egnet for nedsenking

7 Råd om passform

Instruksjonene i dette avsnittet er kun ment for legen.

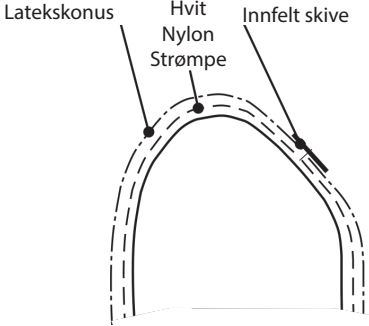
Symptom	Løsning
Enheten er ikke i stand til å opprettholde vakuum	<ol style="list-style-type: none">1. Sjekk at ventilhuset er trygt lokalisert inni protesehylsen.2. Sjekk at ventilhuset sitter korrekt i nedsenkningen.3. Demonter og rengjør ventilen.

Ta i betraktning plasseringen av ventilen på den endelige hylsen, slik at den passer til den enkelte brukers unike behov. De fleste brukere foretrekker enten at ventilen er plassert distomedialt og litt foran på linje med muskelen adductor longus.

8 Monteringsinstruksjoner

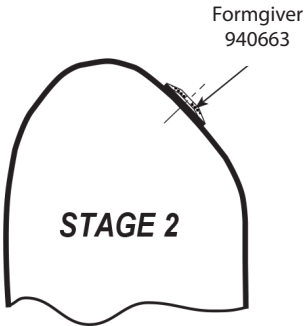
Instruksjonene i dette avsnittet er kun ment for legen.

1

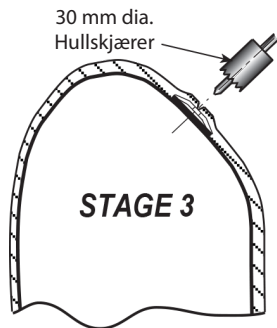


1. Avflat gipsavstøpningen lokalt der ventilen skal monteres, og påse at området er stort nok for formgiver 940663.
2. Sett en hvit nylonstrømpe og latekskonus over avstøpningen.
3. Påfør først vakuüm for å tilpasse strømpe og latekskonus til avstøpningen.
4. Lokaliser innfelt skive 093503, og hold i posisjon med dobbeltsidig teip.

2

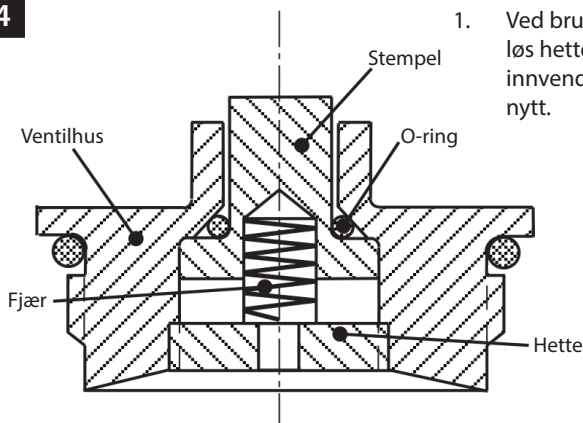


1. Plasser formgiver på en lengde med dobbeltsidig teip (926401 – 50 mm), og skjær rundt omkretsen. Skjær ut teip under midten av formgiveren for å påse at de fire vakuümhullene og det midtre hullet ikke er tildekket.
2. Posisjoner formgiver med dobbeltsidig teip.
Stikk hull på latekskonusen og skiven rundt ventilområdet, gjennom hullet i midten og de fire vakuümhullene
3. Sett et ark med svært fleksibelt hylsemateriale (EVA / polytylen-kopolymer med lav tetthet) i ovnen ved 150 °C i ca. 13 minutter, og snu arket én gang etter 6 minutter.

3

1. Trekk varm plastkonus over avstøpningen og påfør det andre vakuemet. La det kjøles ned.
2. Mens det fremdeles er på avstøpningen senteres en hullskjærer med dia. 30 mm i nedsenkningen i plastformgiveren ved sentralhullet til formgiveren.
3. Bygg opp den distale enden av avstøpningen / fleksibel hylse med gips til knekontaktflaten. Påse at gipsen ikke kommer inn i hullet (tett til med plasticin).
4. Trekk en latekskonus over avstøpningen / fleksibel hylse, etterfulgt av en nylonstrømpe som fungerer som en veke for vakuemet.
5. Kle den ytre beholderen ved bruk av standard draperingsteknikker.
6. Når du er ferdig kan den ytre beholderen og formgiveren fjernes fra den fleksible hylsen.
7. Sett inn ventilhus 093501 gjennom hullet i den fleksible hylsen. (Bruk vaselin ved behov).
Det er ment å være tettsittende, **ikke** gjør hullet større.
Stram mutteren 093502 ved bruk av låsering 940063.

8. Stram ventilmutteren på nytt etter 24 timer.

4

1. Ved bruk av verktøy nr. 940047, skru løs hetten, og fjern og rengjør alle innvendige deler før den monteres på nytt.

9 Tekniske data

Delenr.:	099135 (hull med dia. 24 mm)
Bruks- og lagringstemperaturområde:	-15 til 50 °C
Komponentvekt:	27 g
Aktivitetsnivå:	1–4

10 Bestillingsinformasjon

Delenummer

099135 (hull med dia. 24 mm)

Reservedeler	
Ventilnøkkel for pasient	940046
Ventilhusenhet	099334
Mutter	093502
Ventilhus	093501
Formgiver	940663
Innfelt skive	093503

Verktøy

Beskrivelse	Delenummer
Ventilnøkkel	940047

Erstatningsansvar

Produsenten anbefaler å bruke enheten bare under de angitte forholdene og til de tiltenkte formål. Enheten må vedlikeholdes i henhold til bruksanvisningen som følger med enheten. Produsenten er ikke erstatningsansvarlig for skadelige utfall forårsaket av komponentkombinasjoner som ikke ble autorisert av dem.

CE-samsvar

Dette produktet oppfyller kravene i EUs regelverk EU 2017/745 for medisinsk utstyr. Dette produktet er klassifisert som en klasse I-enhet i henhold til klassifiseringsreglene beskrevet i vedlegg VIII til forskriften. EU-samsvarserklæringen er tilgjengelig på følgende internettadresse: www.blatchford.co.uk



Medisinsk enhet



Enkelt pasient – flerbruk

Kompatibilitet

Kombinasjon med Blatchford-merkede produkter er godkjent basert på testing i samsvar med relevante standarder og MDR inkludert strukturell test, dimensjonell kompatibilitet og overvåket feltytelse.

Kombinasjon med alternative CE-merkede produkter må utføres på bakgrunn av en dokumentert lokal risikovurdering utført av en lege.

Garanti

Denne enheten har en garanti på 24 måneder.

Brukeren skal være klar over at endringer eller modifikasjoner som ikke uttrykkelig er godkjent, kan annullere garantien, driftslisensene og unntakene.

Se nettstedet til Blatchford for gjeldende, fullstendige garantierklæring.

Rapportering av alvorlige hendelser

I det usannsynlige tilfellet at det skulle oppstå en alvorlig hendelse relatert til denne enheten, skal den rapporteres til produsenten og kompetent myndighet i landet ditt.

Miljøaspekter

Dette produktet er konstruert av resirkulerte materialer. Der det er mulig, skal komponentene resirkuleres i samsvar med lokale forskrifter for avfallshåndtering.

Behold emballasjemerket

Legen anbefales å oppbevare emballasjeetiketten som en oppføring på den leverte enheten.

Varemerkeanerkjennelser

Registrerte varemerker av Blatchford Products Limited.

Produsentens registrerte adresse

Blatchford Products Limited, Lister Road, Basingstoke RG22 4AH, Storbritannia.

Sisällys	38
1 Kuvaus ja käyttötarkoitus	39
2 Turvallisuustietoja	40
3 Rakenne	41
4 Toiminta	42
5 Huolto	42
6 Käyttöä koskevat rajoitukset	43
7 Sovitusta koskevia ohjeita	44
8 Kokoonpano-ohjeet	45
9 Tekniset tiedot	47
10 Tilautiedot	48

1 Kuvaus ja käyttötarkoitus

Nämä käyttöohjeet on tarkoitettu proteesiteknikolle ja käyttäjälle, ellei toisin mainita.

Termiä *laite* käytetään näissä ohjeissa puhuttaessa joustavissa holkeissa käytettävästä reisiholkin alipaineventtiilisarjasta.

Lue ja varmista, että ymmärrät kaikki ohjeet, etenkin kaikki turvallisuuteen ja huoltoon liittyvät ohjeet.

Käyttö

Laite on suunniteltu käytettäväksi vain osana transfemoraalisia alaraajaproteeseja.

Proteesiventtiili on tarkoitettu käytettäväksi joustavista lämpömuovatuista holkkimateriaaleista valmistetuissa imuholkeissa.

Valmistettu Blatchfordin holkkien valmistussuosituksia noudattaen.

Vain henkilökohtaiseen käyttöön.

Ominaisuudet

- Ylläpitää imua holkissa.
- Holkkiin kohdistuvaa alipainetta voi säätää manuaalisesti painamalla keskellä olevaa painiketta, jolloin ilmaa pääsee sisään tai poistuu.
- Helpottaa pukemista/riisumista, kun keskellä oleva kierteinen venttiili poistetaan.

Aktiivisuustaso

Tämä laite soveltuu aktiivisuustasoille 1–4 (painorajoitukset täytyy huomioida, ks. *Tekniset tiedot* kohta 9).

Poikkeuksia ilman muuta on, ja siksi haluamme suosituksissamme huomioida yksilölliset tapaukset, jolloin päätöksen tulee olla perusteltu ja huolella harkittu.

Aktiivisuustaso 1

Pystyy käyttämään tai on mahdollisuus käyttää proteesia siirtymiseen tai liikkumiseen tasaisella pinnalla tasaiseen tahtiin. Tyypillistä rajallisesti ja rajoituksitta liikkuvalla.

Aktiivisuustaso 2

Pystyy liikkumaan tai on mahdollisuus liikkua ja pystyy ylittämään matalia esteitä, kuten reunakiveyksiä, portaita tai epätasaisia pintoja. Tyypillistä rajallisesti ulkona liikkuvalla.

Aktiivisuustaso 3

Pystyy liikkumaan tai on mahdollisuus liikkua vaihtelevaan tahtiin.

Tyypillistä ulkona liikkuvalla, joka pystyy ylittämään useimmat esteet ja jolla on työhön, terapiaan tai liikuntaan liittyvää toimintaa, joka vaatii proteesilta yksinkertaista liikettä enemmän.

Aktiivisuustaso 4

Pystyy liikkumaan tai on mahdollisuus liikkua proteesilla perusliikkumistaitoja vaativammin, sisältäen iskuja, rasiusta ja voimaa. Tyypillinen vaatimus lasten, aktiivisten aikuisten ja urheilijoiden proteesilta.

Vasta-aiheet

- Tämä laite ei sovellu käytettäväksi yhdessä jäykkien holkkimateriaalien kanssa.
- Käyttäjällä täytyy olla riittävän hyvä tasapaino, ketteryys ja kognitiivinen toimintakyky voidakseen käyttää tätä laitetta pukemisen ja riisumisen yhteydessä, ja hänen täytyy ymmärtää, kuinka laitetta käytetään.
- Käsien heikko toiminta tai heikko kognitiivinen toimintakyky saattavat hankaloittaa laitteen pukemista, käyttöä ja puhdistamista.
- Huono hygienia.
- Laitetta ei saa käyttää sellaisten holkkien kanssa, jotka eivät ole totaalikontaktissa.

Kliiniset hyödyt

- Ilmaa voidaan poistaa tai lisätä manuaalisesti eri aktiviteetteja ja tarpeita varten.

2 Turvallisuustietoja



Tällä varoitusmerkillä tuodaan esille tärkeitä turvallisuuteen liittyviä tietoja, joita täytyy noudattaa huolellisesti.



Kaikista laitteen toimintaan tai toimivuuteen liittyvistä muutoksista, kuten rajoittuneesta tai takeltelevasta liikkeestä, poikkeavista äänistä tai alipaineen vähenemisestä, tulee ilmoittaa välittömästi laitevalmistajalle.



Pidä aina kiinni kaiteesta, kun kuljet alas portaita ja myös muulloin, jos mahdollista.



Vältä altistumista ääriämpötiloille.



Laite ei sovellu vaativaan urheiluun, juoksemiseen tai kilpa-ajoon polkupyörällä, jää- ja lumiurheilulajeihin sekä jyrkissä rinteissä tai jyrkissä portaissa liikkumiseen. Tällaisiin aktiviteetteihin ryhtyminen on täysin käyttäjän omalla vastuulla. Virkistyspyöräily on sallittua.



Varo sormien juuttumista.



Vain pätevä proteesiteknikko saa koota, huoltaa ja korjata laitetta.



Käyttäjä ei itse saa säätää tai muuttaa laitteen asetuksia.



Käyttäjää tulee neuvoa ottamaan yhteyttä proteesitekniikkoon, jos hänen tilaansa tulee muutoksia.



Autoa ajettaessa on varmistettava, että asianmukaiset varusteet on asennettu. Jokaisen täytyy noudattaa paikallisia liikennelakeja moottoriajoneuvoilla ajettaessa.



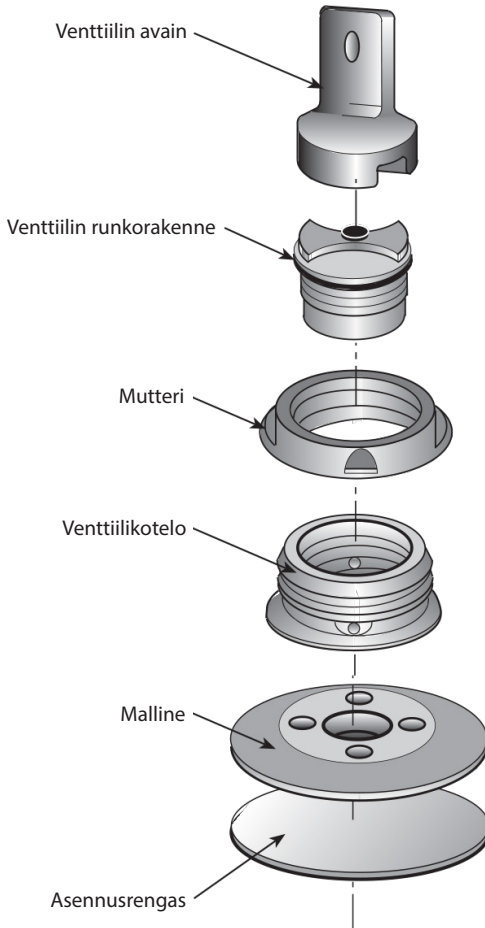
Laite kestää pitkiä aikoja veteen upotettuna; mutta vain makeaan veteen. Jos laitetta käytetään vedessä, kohdassa *Käyttöä koskevat rajoitukset* ilmoitettuja käyttöön liittyviä rajoituksia on noudatettava.

3 Rakenne

Tärkeimmät osat

- Venttiilin avain Nailon tai asetaalihomopolymeeri
- Venttiilin runkorakenne Asetaalihomopolymeeri
- Mutteri Asetaalihomopolymeeri
- Venttiilikotelo Asetaalihomopolymeeri
- Malline Asetaalihomopolymeeri
- Asennusrengas Neopreeni

Osien kuvaus



4 Toiminta

Tämän laitteen avulla alipaine saadaan pysymään proteesiholkissa. Alipainetta voidaan säätää ja ilma poistaa manuaalisesti keskellä olevaa painiketta painamalla. Laitteen avulla proteesiholkit voidaan pukea päälle (vetää paikalleen) poistamalla keskellä oleva venttiili.

5 Huolto

Tarkista laite silmämääräisesti säännöllisesti.

Kerro kaikista tämän laitteen toiminnassa esiintyvistä muutoksista proteesiteknikolle/laitevalmistajalle.

Toimintaan liittyviä muutoksia ovat mm. seuraavat:

- alipaineen puute.
- poikkeavat äänet
- hallinnan/liitoksen heikentyminen tai menetys
- amputaatiotyngän kunnan heikkeneminen tai muutokset
- amputaatiotyngän kudonvauriot
- muutokset laitteen toiminnassa.

Ilmoita proteesiteknikolle/laitevalmistajalle, jos painossasi ja/tai aktiivisuustasossasi tapahtuu muutoksia.

Puhdista ulkopinnat kostealla liinalla ja miedolla saippualla. Älä käytä voimakkaita puhdistusaineita.

Laitteen puhdistus

Laite on kiinni proteesiholkissa, joka tulee puhdistaa päivittäin bakteerikasvun estämiseksi. Käsittele holkkia ja laitetta varovasti, jotta siihen ei tartu pölyä, hiekkaa ja muuta likaa, jotka saattavat ärsyttää ihoa.

Kuivaa se huolellisesti ennen käyttöä.

Amputaatiotyngän puhdistus

1. Tarkasta amputaatiotyngä ennen raajaproteesin käyttöä ja käytön jälkeen tai vähintään päivittäin. Kaikesta amputaatiotyngän kunnan heikkenemisestä täytyy ilmoittaa proteesiteknikolle. Jos amputaatiotyngässä on kudonvaurio, kysy neuvoa proteesiteknikolta.
2. Puhdista iho päivittäin hajustamattomalla pH-neutraalilla saippualla ja huuhtelee kaikki jäämät pois iholta puhtaalla vedellä.
3. Kuivaa amputaatiotyngä.
4. Rasvaa kuiva iho proteesiteknikon suosituksen mukaan.
5. Varmista, että ihovauriot tai avohaavat sidotaan oikein ja riittävästi, jotta ne eivät suoraan kosketa laitetta.

Loput tässä kappaleessa annetuista ohjeista on tarkoitettu vain proteesiteknikoille.

Huoltotoimenpiteet saa tehdä vain pätevä ammattihenkilö (proteesiteknikko tai asianmukaisen koulutuksen saanut apuvälineteknikko).

Seuraavat säännölliset huoltotoimenpiteet täytyy tehdä vähintään kerran vuodessa:

- tarkista, että laite toimii kunnolla, ja jos ei, katso kohta *Sovitusta koskevia ohjeita*.

6 Käyttöä koskevat rajoitukset

Kestoikä

Toimintaan ja käyttöön perustuva paikallinen riskiarviointi tulee tehdä.

Kantokyky

Käyttäjän painolle ja toiminnalle on asetettu raja-arvot.

Käyttäjän kokonaispainon tulee perustua paikalliseen riskiarviointiin.

Ympäristö

Älä altista laitetta syövyttävälle aineille, kuten hapoille, teollisuuspuhdistusaineille, valkaisuaineelle tai kloorille.

Voiteita täytyy käyttää laitteen kanssa varovasti, koska ne saattavat liata venttiiliin.

Laitte on vedenpitävä yhteen metriin asti. Jos laitetta on käytetty hankaavia materiaaleja, kuten hiekkaa, sisältävässä ympäristössä, huuhtelee perusteellisesti puhtaalla vedellä, jotta laite ei kulu ja vaurioidu. Huuhtelee perusteellisesti puhtaalla vedellä, jos laitetta on käytetty suolaisessa tai klooripitoisessa vedessä.

Sallittu käyttölämpötila -15–50 °C.



Saa kastua

7 Sovitusta koskevia ohjeita

Tässä kappaleessa esitetyt ohjeet on tarkoitettu vain proteesiteknikoille.

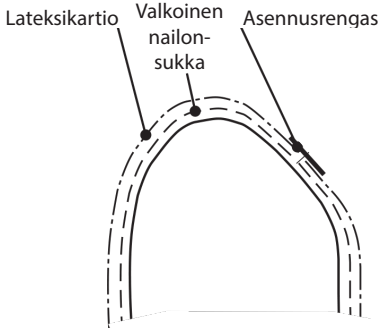
Ongelma	Korjaustoimenpide
Laite ei ylläpidä alipainetta	<ol style="list-style-type: none">1. Tarkista, onko venttiilin runko kunnolla paikallaan proteesiholkissa.2. Tarkista, onko venttiilikotelo oikein paikallaan syvennyksessä.3. Pura venttiili ja puhdista se.

Huomioi venttiilin paikka lopullisessa holkissa, jotta se soveltuu käyttäjän yksilöllisiin tarpeisiin. Useimmille käyttäjille sopiva paikka venttiilille on disto-mediaalisesti ja hieman anteriorisesti pitkän lähentäjähakseen suuntaisesti.

8 Kokoonpano-ohjeet

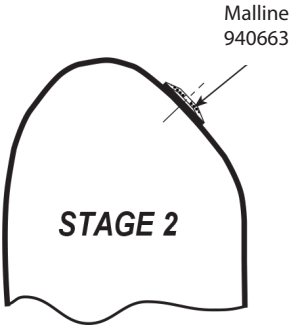
Tässä kappaleessa esitetyt ohjeet on tarkoitettu vain proteesiteknikoille.

1



1. Paina kipsimuottia riittävästi kasaan siitä kohdasta, johon venttiili kiinnitetään niin, että malline 940663 mahtuu siihen.
2. Laita valkoinen nailonsukka ja lateksikartio muotin päälle.
3. Muotoile sukka ja kartio muottiin ensimmäisen alipaineistuksen avulla.
4. Laita asennusrenkas (093503) paikalleen ja kiinnitä se kaksipuolisella teipillä.

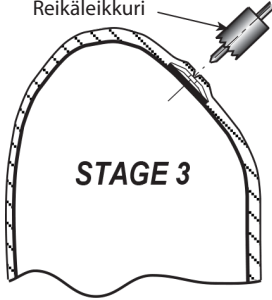
2



1. Aseta malline kaksipuolisen teipin (50 mm, 926401) päälle ja leikkaa sen reunoja pitkin. Leikkaa teippi pois mallineen keskikohdan alta varmistaen, että neljä imuaukkoa ja keskiaukko eivät ole peitossa.
2. Aseta malline paikalleen kaksipuolisella teipillä.
Pistele neulalla reikiä lateksikartioon ja renkaaseen keskiaukon ja neljän imuaukon kautta.
3. Laita arkki erittäin joustavaa holkkimateriaalia (EVA / pientiheyksinen polyeteenikopolymeeri) 150 °C:een uuniin noin 13 minuutiksi ja käännä arkki kerran kuuden minuutin jälkeen.

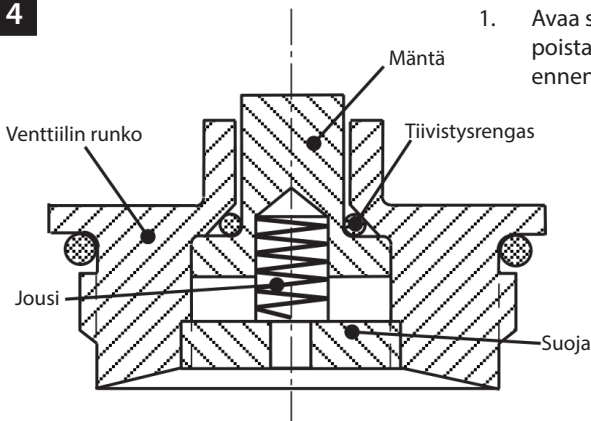
3

Halkaisijaltaan 30 mm:n
Reikäleikkuri



1. Aseta kuuma muovikartio muotin päälle ja tee toinen alipaineistus. Anna jäähtyä.
2. Kartion ollessa vielä muotin päällä aseta reikäleikkuri (halkaisija 30 mm) keskellä muovissa olevaa painumaa, jonka mallineen keskiaukko on muodostanut.
3. Muodosta muotin / joustavan holkin distaalipää kipsillä polven liitokseen saakka. Varmista, että kipsiä ei mene aukkoon (tulppaa muovilumassalla).
4. Vedä muotin / joustavan holkin päälle lateksikartio ja sen jälkeen nailonsukka, joka auttaa alipaineen muodostumista.
5. Valmista ulkokuori normaalilla peittomenetelmällä.
6. Poista lopuksi ulkokuori ja malline joustavasta holkista.
7. Laita venttiilikotelo (093501) joustavassa holkissa olevan aukon läpi. (Käytä tarvittaessa vaseliinia.) Kiinnityksen on tarkoitus olla tiukka; **älä** suurena aukkoa. Kiristä mutteri (093502) lukitusrenkaalla (940063).
- 8. Kiristä venttiiliin mutteri uudelleen 24 tunnin kuluttua.**

4



1. Avaa suoja työkalun (940047) avulla ja poista ja puhdista kaikki sisäiset osat ennen kokoamista.

9 Tekniset tiedot

Osanumero:	099135 (aukon halkaisija 24 mm)
Käyttö- ja säilytyslämpötila-alue:	-15–50°C
Paino:	27 g
Aktiivisuustaso:	1–4

10 Tilaustiedot

Osanumero

099135 (aukon halkaisija 24 mm)

Varaosat	
Venttiilin avain	940046
Venttiilin runkorakenne	099334
Mutteri	093502
Venttiilikotelo	093501
Malline	940663
Asennusrengas	093503

Työkalut

Kuvaus	Osanumero
Venttiiliavain	940047

Vastuu

Valmistaja suosittelee, että laitetta käytetään ainoastaan ilmoitetuissa olosuhteissa ja aiottuun käyttötarkoitukseen. Laitetta täytyy huoltaa laitteen mukana toimitettujen käyttöohjeiden mukaisesti. Valmistaja ei ole vastuussa mistään haitallisista seuraamuksista, jotka johtuvat sellaisten osakokoonpanojen käytöstä, joita valmistaja ei ole hyväksynyt.

CE-vaatimustenmukaisuus

Tämä tuote täyttää lääkinällisistä laitteista annetun Euroopan unionin säädöksen 2017/745 vaatimukset. Tämä tuote on luokiteltu luokan I tuotteeksi kyseisen säädöksen liitteen VIII luokituskriteerien mukaisesti. Todistus EU:n vaatimustenmukaisuusvakuutuksesta löytyy osoitteesta: www.blatchford.co.uk



Lääkinällinen laite



Yhdelle potilaalle, kestäkäyttöinen

Yhteensopivuus

Blatchfordin omien tuotteiden käyttö on hyväksytty edellyttäen että ne on testattu asiaankuuluvien standardien ja MDR-asetuksen mukaisesti käsittäen myös rakenteellisen testin, mittojen yhteensopivuuden ja valvotun kenttätoimivuuden.

Vaihtoehtoisia CE-merkittyjä tuotteita käytettäessä täytyy ottaa huomioon proteesiteknikon tekemä dokumentoitu paikallinen riskiarviointi.

Takuu

Tällä laitteella on 24 kuukauden takuu.

Käyttäjän tulee olla tietoinen siitä, että takuu, käyttöluva ja erityisluvut voidaan mitätöidä, jos laitteeseen tehdään muutoksia tai muunnoksia, joita ei ole erikseen hyväksytty.

Tämänhetkiset täydelliset takuutiedot löytyvät Blatchfordin verkkosivustolta.

Vakavista tapahtumista ilmoittaminen

Jos tähän laitteeseen liittyvä vakava tapahtuma sattuu (mikä on hyvin epätodennäköistä), asiasta tulee ilmoittaa valmistajalle ja kansalliselle toimivaltaiselle viranomaiselle.

Ympäristötiedot

Tämä tuote on valmistettu kierrätettävistä materiaaleista. Osat tulee kierrättää, mikäli mahdollista, paikallisten jätehuoltomääräysten mukaisesti.

Pakkausetiketin säilyttäminen

On suositeltavaa, että proteesiteknikko säilyttää pakkausetiketin tiedoksi tulevan varalle.

Tavaramerkkejä koskevat tiedot

Blatchford Products Limitedin rekisteröityjä tavaramerkkejä.

Valmistajan rekisteröity osoite

Blatchford Products Limited, Lister Road, Basingstoke RG22 4AH, Iso-Britannia.

Innehåll	50
1 Beskrivning och avsett syfte	51
2 Säkerhetsinformation	52
3 Konstruktion	53
4 Funktion.....	54
5 Underhåll.....	54
6 Begränsningar av användningen	55
7 Inpassningsråd	56
8 Monteringsanvisningar	57
9 Tekniska uppgifter	59
10 Beställningsinformation	60

1 Beskrivning och avsett syfte

Denna bruksanvisning är avsedd för användning av läkare och brukare om inget annat anges. Termen *enhet* används i hela denna bruksanvisning för att referera till den transfemorala ventilatsen med sughylsa för flexibla hylsor.

Läs och se till att du förstår hela bruksanvisningen, särskilt all säkerhetsinformation och alla underhållsinstruktioner.

Användningssätt

Enheten är utformad uteslutande för användning som en del av en transfemoral underbensprotes.

En protesventil för användning i sughylsor tillverkade av flexibla termoplastiska hylsmaterial.

Konstruerad i enlighet med Blatchford hylstillverkningsrekommendationer.

Avsedd för en enda brukare.

Funktioner

- Upprätthåller vakuum i hylsan.
- Genom att trycka på mittknappen kan man släppa in eller ut luft manuellt och justera vakuumnivån i hylsan.
- Underlättar på-/avtagning genom att den mittre gängade ventilen tas bort.

Aktivitetsnivå

Den här enheten är lämplig för aktivitetsnivå 1–4; viktgränser gäller, se *Tekniska uppgifter*, avsnitt 9. Det finns naturligtvis undantag och i vår rekommendation vill vi tillåta unika, individuella omständigheter. Varje sådant beslut bör fattas med en sund och grundlig motivering.

Aktivitetsnivå 1

Har förmåga eller potential att använda protes för förflyttning eller rörlighet på plana ytor i jämn takt. Typiskt för en patient som rör sig begränsat eller obegränsat.

Aktivitetsnivå 2

Har förmåga eller potential att förflytta sig förbi låga hinder i miljön som trottoarkanter, trappor eller ojämna ytor. Typiskt för en patient som rör sig begränsat ute i samhället.

Aktivitetsnivå 3

Har förmåga eller potential att förflytta sig i variabel takt.

Typiskt för en person som har förmåga att ta sig förbi de flesta hinder i miljön och som kan bedriva yrkesmässig, terapeutisk eller motionsinriktad aktivitet som kräver att protesen kan användas för mer än bara enkel förflyttning.

Aktivitetsnivå 4

Har förmåga eller potential att förflytta sig med hjälp av en protes som överskrider den grundläggande rörelseförmågan och har höga stöt-, belastnings- eller energinivåer. Typiskt för behovet av protes hos ett barn, en aktiv vuxen eller en idrottsman.

Kontraindikationer

- Den här enheten är inte lämplig för användning med stela hylsmaterial.
- Brukaren måste ha tillräcklig balans, fingerfärdighet och kognitiv funktion för att använda enheten under på-/avtagning och förstå hur enheten ska användas.
- Brukare med dålig handfunktion eller kognitiv funktion kan ha svårt att ta på/av, använda och rengöra enheten.
- Dålig hygien
- Den här enheten ska inte användas i hylsor som inte har fullständig kontakt.

Klinisk nytta

- Möjliggör manuellt ut-/inläppande av luft för olika aktiviteter och krav.

2 Säkerhetsinformation



Denna varningssymbol visas vid viktig säkerhetsinformation som måste följas noggrant.



Eventuella förändringar i enhetens prestanda eller funktion, t.ex. begränsade rörelser, osmidig rörelse, ovanliga ljud eller förlorat vakuum ska omedelbart rapporteras till serviceleverantören.



Använd alltid ett räcke när du går nedför trappor och vid andra tillfällen om det finns något.



Undvik att utsätta enheten för extrem värme och/eller kyla.



Enheter är inte lämplig för extremsport, löpnings- eller cykeltävlingar, is- och snösporter eller i extrema sluttningar eller trappor. Alla sådana aktiviteter utförs helt och hållet på brukarens egen risk. Cykling som rekreation är acceptabelt.



Var alltid medveten om risken för att fingrarna kommer i kläm.



Montering, underhåll och reparation av enheten får endast utföras av klinisk personal med lämpliga kvalifikationer.



Brukaren får inte justera eller manipulera enhetens inställningar.



Brukaren ska rekommenderas att kontakta sin läkare om tillståndet förändras.



Se till att endast lämpliga, specialutrustade fordon används vid körning. Alla måste följa sina respektive trafiklagar vid framförande av motorfordon.



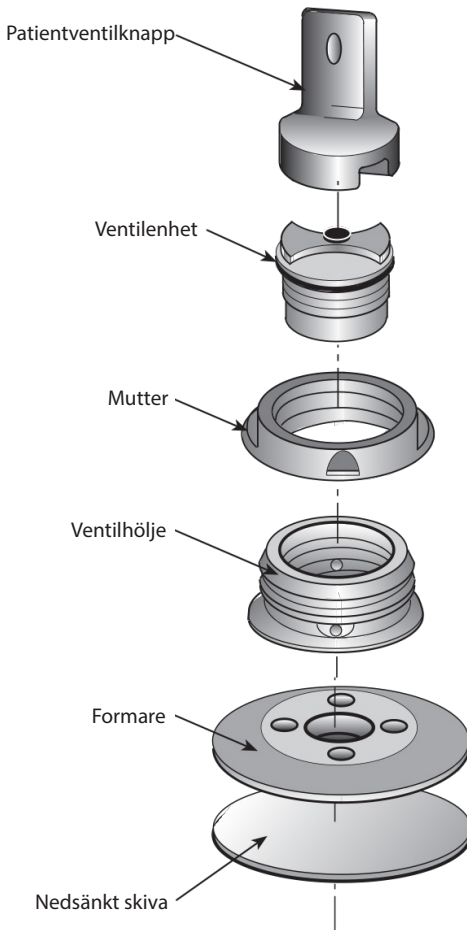
Enheter är utformad för långvarig nedsänkning i vatten och passar endast för nedsänkning i sötvatten. Se till att all användning av enheten i vatten uppfyller de villkor som anges i *Begränsningar av användningen*.

3 Konstruktion

Huvuddelar

- Patientventilknapp Nylon eller acetalhomopolymer
- Ventilenhet Acetalhomopolymer
- Mutter Acetalhomopolymer
- Ventilhölje Acetalhomopolymer
- Formare Acetalhomopolymer
- Nedsänkt skiva Kloropren gummi

Identifiering av komponenter



4 Funktion

Denna enhet ger ett sätt att upprätthålla vakuum i en proteshylsa. Enheten gör det möjligt att justera vakuomet manuellt och släppa ut luft via mittknappen. Enheten möjliggör påtagning (indragning) av proteshylsor genom att mittventilen tas bort.

5 Underhåll

Inspektera enheten regelbundet.

Rapportera eventuella förändringar av enhetens prestanda till läkaren/serviceleverantören.

Förändringar av prestandan kan omfatta:

- Vakuumförlust
- Ovanligt ljud
- Bristande eller ingen kontroll/anslutning
- Försämring/förändringar i kvarvarande extremitet
- Vävnadsskada i kvarvarande extremitet
- Förändringar av enhetens prestanda

Informera läkaren/serviceleverantören om eventuella förändringar av kroppsvikt och/eller aktivitetsnivå.

Använd en fuktig trasa och mild tvål för att rengöra utsidan. Använd inte starka rengöringsmedel.

Rengöring av enheten

Enheten är integrerad i en proteshylsa som bör rengöras dagligen för att undvika ansamling av bakterier. Var försiktig när du hanterar hylsan och enheten för att undvika att det samlas damm, korn och andra föroreningar som kan orsaka irritation på huden.

Torka noggrant före användning.

Rengöring av kvarvarande extremitet

1. Inspektera kvarvarande extremitet före och efter protesanvändning eller minst dagligen. Eventuell försämring av tillståndet på den kvarvarande extremiteten bör rapporteras till läkaren. Om den kvarvarande extremiteten har vävnadsskador bör du rådfråga läkaren.
2. Rengör huden dagligen med en oparfymerad, pH-balanserad tvål och skölj huden med rent vatten för att avlägsna alla rester.
3. Torka den kvarvarande extremiteten.
4. Applicera lotion på torr hud enligt läkares rekommendationer.
5. Se till att eventuell skadad hud eller öppet sår förses med lämpligt förband för att förhindra direktkontakt med enheten.

Övriga instruktioner i det här avsnittet är endast avsedda för läkaren.

Underhåll får endast utföras av kompetent personal (praktiserande läkare eller lämpligt utbildad tekniker).

Följande rutinunderhåll ska utföras minst en gång om året.

- Kontrollera att enheten fungerar som den ska, om inte, felsök enligt *Inpassningsråd*.

6 Begränsningar av användningen

Avsedd livslängd

En lokal riskbedömning bör utföras på grundval av aktivitet och användning.

Lyft av laster

Brukarens vikt och aktivitet styrs av de angivna gränserna.

Den belastning som brukaren transporterar ska baseras på en lokal riskbedömning.

Miljö

Undvik att utsätta enheten för korroderande ämnen som syror, industriella rengöringsmedel, blekmedel eller klorin.

Krämer eller lotioner bör användas med försiktighet eftersom de kan sätta igen ventilen.

Den här enheten är vattentät ned till ett djup på högst 1 meter. Skölj enheten noga med sötvatten efter användning i nötande miljöer, t.ex. sådana där sand eller grus kan förekomma, för att förhindra slitage eller skador på enheten. Skölj den noga med rent sötvatten efter användning i salt eller klorerat vatten.

Får endast användas mellan -15 °C och 50 °C



Lämplig för nedsänkning i vatten

7 Inpassningsråd

Instruktionerna i det här avsnittet är endast avsedda för läkaren.

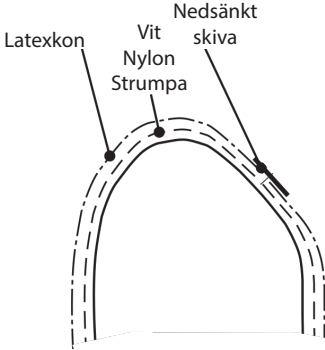
Symptom	Åtgärd
Enheten kan inte upprätthålla vakuum	<ol style="list-style-type: none">1. Kontrollera att ventilen sitter ordentligt i proteshylsan.2. Kontrollera att ventilhöljet sitter korrekt i fördjupningen.3. Demontera och rengör ventilen.

Överväg ventilens placering på den slutliga hylsan så att den passar de enskilda brukarnas unika behov. De flesta brukare föredrar att ventilen placeras disto-medialt och något anteriort i linje med adductor longus.

8 Monteringsanvisningar

Instruktionerna i det här avsnittet är endast avsedda för läkaren.

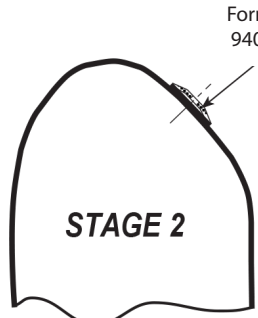
1



Latexkon
Vit Nylon Strumpa
Nedsänkt skiva

1. Platta till gjutformen lokalt där ventilen ska monteras, och se till att området är tillräckligt stort för att rymma formaren 940663.
2. Dra en vit nylonstrumpa och latexkon över gjutformen.
3. Applicera först vakuüm för att forma strumpan och latexkonen inför gjutningen.
4. Leta reda på den nedsänkta skivan 093503 och håll den på plats med dubbelhäftande tejp.

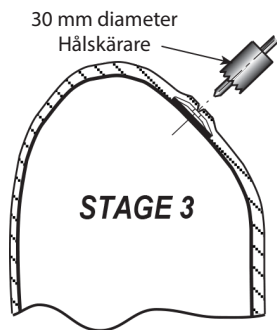
2



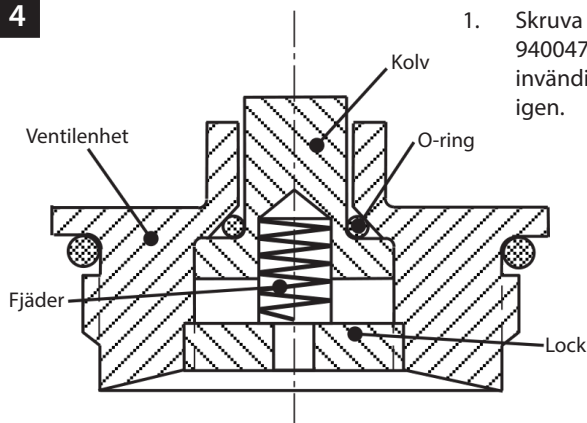
Formare 940663

STAGE 2

1. Placera formaren på en bit dubbelhäftande tejp (926401 – 50 mm) och skär runt dess omkrets. Klipp av tejpens under formarens mitt för att säkerställa att de 4 vakuumhålen och mitthålet inte täcks.
2. Placera formaren på den dubbelhäftande tejpens.
Gör hål i latexkonen och skivan runt ventilområdet, genom mitthålet och de 4 hålen utan vakuüm.
3. Lägg ett blad av mycket flexibelt hylsmaterial (EVA/polyetylenkopolymer med låg densitet) i ugnen på 150 °C i cirka 13 minuter och vänd på bladet en gång efter 6 minuter.

3

1. Drapera den heta plastkonen över gjutformen och applicera ett andra vakuum. Låt svalna.
2. Medan den fortfarande är kvar på gjutformen placerar du en hålskärare med 30 mm diameter på det avtryck i plasten som formats av mitthålet i formaren.
3. Bygg upp gjutformens/den flexibla hylsans distala ände med gips till kontaktytan mot knäet. Se till att gipset inte kommer in i hålet (plugga igen det med plasticin).
4. Dra en latexkon över gjutformen/den flexibla hylsan, följt av en nylonstrumpa som ska fungera som veke för vakuomet.
5. Tillverka den yttre behållaren med sedvanlig draperingsteknik.
6. När detta är klart tar du bort den yttre behållaren och tar formaren från den flexibla hylsan.
7. För in ventilhöljet 093501 genom hålet i den flexibla hylsan. (Använd vaselin vid behov.) Detta är avsett att sitta tätt. Förstora **inte** hålet. Dra åt mutter 093502 med låsring 940063.
- 8. Dra åt ventilmuttern på nytt efter 24 timmar.**

4

1. Skruva loss locket med verktyg nr 940047 och ta bort och rengör alla invändiga delar innan du monterar dem igen.

9 Tekniska uppgifter

Artikelnr: 099135 (24 mm diameters öppning)

Temperatur vid drift och förvaring: -15 °C till 50 °C

Komponentvikt: 27 g

Aktivitetsnivå: 1–4

10 Beställningsinformation

Artikelnummer

099135 (24 mm diameters öppning)

Reservdelar	
Patientventilknapp	940046
Ventilenhet	099334
Mutter	093502
Ventilhölje	093501
Formare	940663
Nedsänkt skiva	093503

Verktyg

Beskrivning	Artikelnummer
Ventilnyckel	940047

Ansvar

Tillverkaren rekommenderar att enheten endast används under angivna förhållanden och för avsedda ändamål. Enheten måste underhållas i enlighet med de instruktioner som medföljer enheten. Tillverkaren ansvarar inte för eventuella negativa resultat som orsakas av komponentkombinationer som tillverkaren inte har godkänt.

CE-överensstämmelse

Denna produkt uppfyller kraven i EU-förordningen 2017/745 för medicintekniska produkter. Denna produkt är klassificerad som en klass I-produkt enligt de klassificeringsregler som anges i Bilaga VIII till förordningen. EU-försäkran om överensstämmelse finns på följande internetadress: www.blatchford.co.uk



Medicinteknisk utrustning



En patient – flera användningar

Kompatibilitet

Kombination med Blatchford-märkta produkter är godkänt baserat på tester i enlighet med relevanta standarder och MDR, inklusive strukturellt test, dimensionell kompatibilitet och övervakade fältprestanda.

Kombination med alternativa CE-märkta produkter måste utföras med hänsyn till en dokumenterad lokal riskbedömning som utförts av en praktiserande läkare.

Garanti

Den här enheten har 24 månaders garanti.

Brukaren bör vara medveten om att ändringar eller modifieringar som inte uttryckligen godkänts kan upphäva garantin, användningslicenserna och undantagen.

På Blatchfords webbplats finns aktuell fullständig garanti.

Rapportering av allvarliga incidenter

Om det mot förmodan skulle inträffa en allvarlig incident i samband med den här enheten ska denna rapporteras till tillverkaren och den nationella behöriga myndigheten.

Miljöaspekter

Den här produkten är tillverkad av återvinningsbara material. Om möjligt ska komponenterna återvinnas i enlighet med lokala föreskrifter för avfallshantering.

Spara förpackningsetiketten

Praktiserande läkare rekommenderas att spara förpackningsetiketten som journal över den levererade enheten.

Varumärkesinformation

Registrerade varumärken som tillhör Blatchford Products Limited.

Tillverkarens registrerade adress

Blatchford Products Limited, Lister Road, Basingstoke RG22 4AH, Storbritannien.

Содержание	62
1 Описание и Основное Назначение	63
2 Техника Безопасности.....	64
3 Конструкция	65
4 Функциональность	66
5 Техническое Обслуживание.....	66
6 Ограничения при Эксплуатации	67
7 Рекомендации по Сборке.....	68
8 Сборочные Инструкции	69
9 Спецификация	71
10 Информация для Заказа.....	72

1 Описание и Основное Назначение

Если не оговорено иное, данная инструкция по эксплуатации предназначается для протезиста и пользователя.

Термин *устройство* относится к *Бедренному Вакуумному Клапану для Гибких Гильз* и будет использован далее в настоящей инструкции.

Пожалуйста, внимательно прочитайте данную инструкцию и убедитесь в том, что вам все понятно в ней, особое внимание следует уделить разделам, посвященным Технике Безопасности и Техническому Обслуживанию.

Область Применения

Устройство предназначено исключительно для использования в составе протеза нижней конечности для случаев ампутации на уровне бедра.

Протезный вакуумный клапан предназначается для использования в вакуумных протезных гильзах, изготовленных из гибких термопластичных гильзовых материалов.

Данное устройство должно устанавливаться в соответствии с техническими рекомендациями Blatchford по изготовлению протезных гильз.

Предназначен только для индивидуального использования.

Особенности

- Поддерживает вакуум в протезной гильзе.
- Нажатие центральной клавиши управления позволяет вручную выпускать или выпускать воздух, регулируя уровень вакуума внутри протезной гильзы.
- Облегчает надевание/снятие протеза при помощи отвинчивания центрального резьбового клапана.

Уровень Двигательной Активности

Данное устройство подходит для Уровня Двигательной Активности от 1 до 4; ограничения по весу приведены в Разделе 9 *Спецификация*. Однако с учетом отдельных обстоятельств существуют индивидуальные исключения для некоторых пользователей, однако это назначение должно быть оправданным и приниматься с учетом общего состояния здоровья.

Уровень Двигательной Активности 1

Пользователь обладает способностью или имеет достаточный потенциал для перемещения на протезе по ровной опорной поверхности с фиксированным темпом ходьбы. Данный уровень типичен для пользователей, которые могут ограниченно или неограниченно перемещаться в пределах помещения.

Уровень Двигательной Активности 2

Пользователь обладает способностью или имеет достаточный потенциал для перемещения на протезе, а также обладает способностью преодолевать невысокие естественные препятствия, такие как бордюры, ступени лестниц или неровные поверхности. Данный уровень типичен для пользователей, которые ограниченно перемещаются вне пределов помещения.

Уровень Двигательной Активности 3

Пользователь обладает способностью или имеет достаточный потенциал для перемещения на протезе в переменном темпе вне помещения. Данный уровень типичен для пользователей, которые могут преодолевать большинство естественных препятствий, а также имеющих дополнительные потребности при использовании протеза не только для простого перемещения, но например, при ведении профессиональной деятельности, прохождении лечебно-профилактических процедур или занятий любительским спортом.

Уровень Двигательной Активности 4

Пользователь обладает способностью или имеет достаточный потенциал для перемещения на протезе вне помещения, превышающий базовые типы перемещений, и сталкивающийся с повышенными вертикальными ударными воздействиями, связанными с высокой нагрузкой на протез при ходьбе. Данный уровень типичен для детей, активных взрослых или спортивных пользователей.

Противопоказания

- Данное устройство не подходит для совместного использования с жесткими гильзовыми материалами.
- Пользователи должны иметь достаточную устойчивость, ловкость и когнитивные способности, чтобы использовать устройство во время надевания/снятия протеза нижней конечности, а также понимать, как управлять данным устройством.
- Пользователи, имеющие проблемы с кистями рук или когнитивными способностями могут столкнуться с трудностями при надевании, эксплуатации и очистки устройства от загрязнений.
- Пользователи с плохой гигиеной.
- Данное устройство не следует использовать в протезных гильзах, не имеющих полного контакта с культей пользователя.

Клинические Преимущества

- Устройство позволяет вручную управлять впуском/выпуском воздуха, регулируя таким образом уровень вакуума внутри протезной гильзы, что может потребоваться для различных требований пользователя и видов деятельности.

2 Техника Безопасности



Данным символом обозначаются наиболее важные правила, которые должны соблюдаться неукоснительно.



Пользователь обязан незамедлительно доложить своему протезисту/врачу о любых ощутимых изменениях в работе или функциональности данного устройства, например, о ограничении движения, неплавном перемещении, посторонних шумах или потере вакуума.



При спуске по ступеням лестницы, а также в любых других случаях, когда это возможно, пользователь всегда должен использовать перила.



Избегайте воздействия на устройство экстремально высоких или экстремально низких температур.



Устройство не пригодно для занятий экстремальными видами спорта, бегом и мото- и велогонками, а также зимними видами спорта на льду и снегу, а также для подъема по крутым склонам и ступеням. Вся ответственность за подобные действия возлагается исключительно на пользователя. Допускается любительская езда на велосипеде или любительский бег.



Всегда помните о потенциальной опасности защемления пальцев кисти руки рабочими механизмами протеза.



К установке, настройке, техническому обслуживанию и ремонту устройства допускается только специально обученный и сертифицированный в учебных центрах Blatchford персонал.



Пользователь не имеет права самостоятельно настраивать устройство или вмешиваться в его настройки.



Пользователь обязан сообщить своему протезисту о любых ощутимых изменениях своего состояния: веса и/или уровня двигательной активности, например при переезде из городской в сельскую местность.



Убедитесь в том, что ваше транспортное средство оборудовано всем необходимым для вождения. При вождении транспортного средства пользователь обязан неукоснительно соблюдать действующие в стране правила дорожного движения



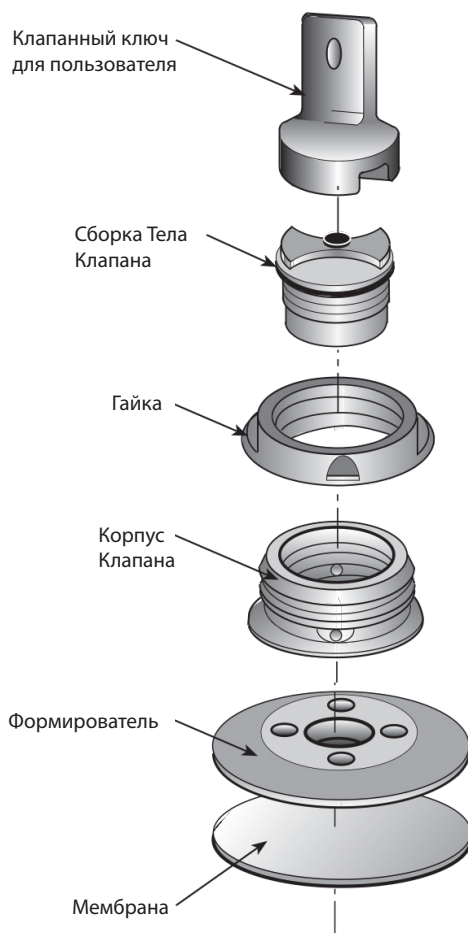
Данное устройство предназначено для длительного погружения в воду и для принятия водных процедур, но подходит только для пресной воды. Убедитесь в том, что любое использование устройства в воде соответствует условиям, указанным в Разделе 6 *Ограничения при Эксплуатации*.

3 Конструкция

Составные Части

- Клапанный ключ для пользователя Нейлон или Ацеталь гомополимер
- Сборка Тела Клапана Ацеталь гомополимер
- Гайка Ацеталь гомополимер
- Корпус Клапана Ацеталь гомополимер
- Формирователь Ацеталь гомополимер
- Мембрана Хлоропреновый каучук

Компоненты Устройства



4 Функциональность

Данное устройство обеспечивает поддержание вакуума в протезной гильзе. Устройство позволяет вручную регулировать уровень вакуума и при необходимости выпускать избыточный воздух при помощи центральной клавиши. Устройство позволяет надевать (натягивать) протезную гильзу при помощи вывинчивания и временного извлечения центрального клапана.

5 Техническое Обслуживание

Регулярно производите визуальный осмотр устройства.

При обнаружении ощутимых изменениях в работе устройства, пользователь обязан немедленно сообщить об этом своему протезисту.

Изменения в работе устройства могут включать в себя следующее:

- Потеря вакуума
- Посторонние шумы
- Снижение или потеря управления/надежности крепления
- Ухудшение/Изменение состояния культи
- Повреждение тканей культи
- Изменения функциональности или работы устройства

Сообщите своему протезисту о любых значимых изменениях в массе тела и/или уровне двигательной активности (например, при переезде на постоянное место жительства из городской в сельскую местность).

Очистка от Устройства от Загрязнений

Устройство встраивается в протезную гильзу, которую необходимо ежедневно очищать от загрязнений, во избежание скопления бактерий. Соблюдайте осторожность при обращении с протезной гильзой и устройством, избегайте попадания пыли, песка и других загрязнений, которые могут вызвать раздражение кожи культи. Для очистки внешней поверхности устройства используйте влажную не ворсистую ткань и детское мыло, НЕ ИСПОЛЬЗУЙТЕ агрессивные моющие средства.

После очистки от загрязнения перед началом эксплуатации протеза тщательно просушите его.

Очистка Культи от Загрязнений

1. Осматривайте культю до и после использования протеза, как минимум, ежедневно. О любом ухудшении состояния культи следует немедленно сообщить протезисту/врачу. Если на культе появились повреждения тканей, немедленно обратитесь за советом к вашему лечащему врачу.
2. Ежедневно очищайте кожу детским мылом, без отдушек и со сбалансированным рН, после ополосните кожу культи чистой водой, чтобы смыть все остатки моющего средства.
3. Тщательно высушите культю.
4. Нанесите специальный лосьон на сухую кожу культи в соответствии с рекомендациями вашего лечащего врача.
5. Убедитесь в том, что все повреждения кожи культи или открытые раны аккуратно перевязаны соответствующим образом, для исключения прямого контакта с устройством.

6 Ограничения при Эксплуатации

Срок службы

Необходимо провести индивидуальную оценку рисков на основании двигательной активности пользователя и ожидаемых условий эксплуатации устройства.

Подъем Тяжестей

Ограничения зависят от веса пользователя и его уровня двигательной активности.

При переносе тяжестей пользователем должна быть учтена локальная оценка степени риска.

Условия Эксплуатации

Избегайте воздействия на устройство коррозионных элементов, например, таких как кислоты, промышленные моющие средства, отбеливатели или хлорсодержащие агенты.

Применение различных протезных кремов и лосьонов с данным устройством должно быть очень осторожным, поскольку они могут повредить клапан.

Данное устройство является влагозащищенным и допускает погружение в воду на глубину до 1 м. После эксплуатации устройства в абразивных средах, например, таких как песок или пыль, для предотвращения преждевременного износа устройства или повреждения движущихся частей, рекомендуется тщательно промыть устройство чистой пресной водой.

После использования устройства в соленой или хлорированной воде также рекомендуется тщательно промыть устройство пресной чистой водой.

Устройство допускается эксплуатировать только в температурном диапазоне от -15 °C до +50 °C (от 5 °F до 122 °F).



Влагозащищенное устройство
Подходит для погружения в воду

7 Рекомендации по Сборке

Последующие инструкции данного раздела предназначены только для протезиста.

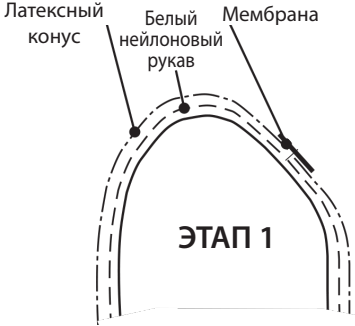
Симптомы	Методы решения проблемы
Устройство не способно поддерживать вакуум.	<ol style="list-style-type: none"><li data-bbox="568 244 1024 331">1. Убедитесь в том, что сборка тела клапана надежно и безопасно размещена в протезной гильзе.<li data-bbox="568 339 1024 427">2. Убедитесь в том, что корпус клапана правильно установлен в соответствующем углублении.<li data-bbox="568 435 1024 486">3. Демонтируйте и очистите клапан от загрязнений.

Учитывайте расположение клапана на протезной гильзе в соответствии с индивидуальными параметрами конкретного пользователя. Большинство пользователей предпочитают, чтобы клапан располагался в дистально-медиальной области и слегка был смещен вперед по линии приведения конечности.

8 Сборочные Инструкции

Последующие инструкции данного раздела предназначены только для протезиста.

1

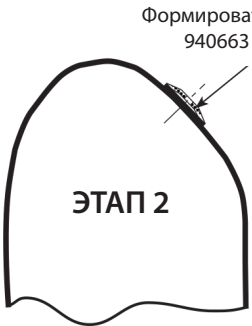


Латексный конус
Белый нейлоновый рукав
Мембрана

ЭТАП 1

1. Выровняйте гипсовый слепок-позитив в месте установки вакуумного клапана, убедитесь в том, что выровненная площадка достаточно для размещения Формирователя, шифр: 940663.
2. Наденьте на гипсовый слепок белый нейлоновый рукав и латексный конус.
3. Чтобы Рукав и Латексный Конус приняли форму слепка включите вакуумную установку и приложите первый вакуум.
4. Разместите Мембрану 093503 и зафиксируйте ее в требуемом положении с помощью двухстороннего скотча.

2

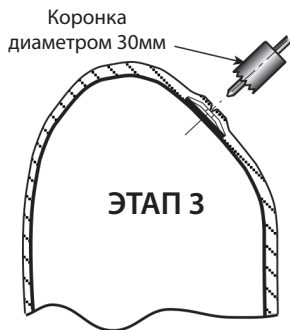


Формирователь 940663

ЭТАП 2

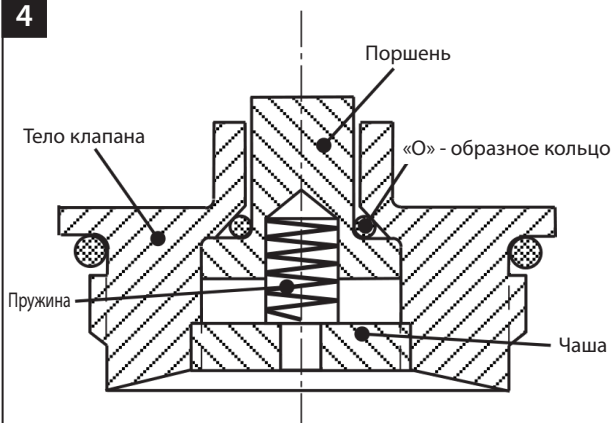
1. Разместите Формирователь на двухстороннем скотче (шифр: 926401 - ширина 50 мм) и аккуратно обрежьте по окружности. Вырежьте скотч под центром Формирователя таким образом, чтобы не закрыть 4 вакуумных отверстия и центральное отверстие.
2. Закрепите Формирователь двухсторонним скотчем. Аккуратно **приколите булавками** Латексный Конус и Мембрану вокруг области клапана, центрального отверстия и 4 вакуумных отверстий.
3. Поместите лист очень гибкого гильзового материала (EVA/сополимер-политилен низкой плотности) в электрическую печь при 150°C примерно на 13 минут, перевернув лист один раз после 6 минут выдержки при заданной температуре.

3



1. Наденьте разогретый пластмассовый конус на слепок-позитив и приложите второй вакуум. Дайте конструкции остыть.
 2. Не снимая слепка, установите коронку диаметром 30 мм. Прорежьте отверстие в пластмассовом конусе на гипсовом слепке для создания центрального отверстия Формирователя.
 3. Зафиксируйте дистальный конец гипсового слепка/гибкой гильзы гипсовым связующим до уровня коленного сустава. Убедитесь, что гипсовое связующее не попадает в отверстие (заклейте пластилином).
 4. Наденьте на гипсовый слепок/гибкую гильзу латексный конус, а затем нейлоновый рукав, через который будет создаваться вакуум.
 5. Изготовьте внешний контейнер, используя стандартную технику вытяжки термопластичных материалов.
 6. По завершении работы удалите внешний контейнер и извлеките Формирователь из гибкой гильзы.
 7. Вставьте Корпус Клапана (шифр: 093501) через отверстие в гибкой гильзе.
(При необходимости используйте технический вазелин).
- Отверстие не расширяйте**, оно должно обеспечивать плотное прилегание. Затяните гайку (шифр: 093502) используя стопорное кольцо (шифр: 940063).
8. Повторно затяните гайку клапана по истечении 24 часов.

4



1. Перед повторной сборкой при помощи специального инструмента (шифр: 940047) отвинтите чашу, а потом снимите и очистите от загрязнений все внутренние детали.

9 Спецификация

Шифр устройства	099135 (диаметр отверстия 24 мм)
Температурный Диапазон Хранения и Эксплуатации:	от -15°C до +50°C (от 5°F до 122°F)
Вес изделия:	27 г
Уровень Двигательной Активности:	1-4

10 Информация для Заказа

Шифр

099135 (вакуумный клапан с отверстием диаметром 24 мм)

Запасные Части	
Клапанный ключ для пользователя	940046
Сборка Тела Клапана	099334
Гайка	093502
Корпус Клапана	093501
Формирователь	940663
Мембрана	093503

Инструмент

Описание	Шифр изделия
Вакуумный ключ	940047

Ответственность

Изготовитель рекомендует использовать данное устройство только в указанных условиях и предусмотренных целях. Обслуживание устройства должно проводиться согласно прилагаемой к устройству инструкции по эксплуатации. Производитель не несет ответственности за ущерб, вызванный применением комбинацией компонентов, не разрешенной изготовителем.

Соответствие Стандартам Евросоюза CE

Данное изделие соответствует требованиям Евростандарта EU 2017/745 для медицинских изделий. Данное изделие относится к категории устройств класса I в соответствии с критериями классификации, изложенными в Приложении VIII данного Стандарта. Сертификат соответствия стандартам Евросоюза можно получить на сайте компании: www.blatchford.co.uk



Медицинское
устройство



Индивидуальное многократное
использование

Совместимость

Допускаются комбинации изделий производства компании Blatchford на основании тестирования по соответствующим стандартам, в том числе и стандартам на медицинские устройства (MDR), включая структурные испытания, совместимость размеров и другие контролируемые эксплуатационные характеристики.

Комбинация с альтернативными изделиями, имеющими маркировку соответствия стандартам Евросоюза CE должна производиться с учетом оценки локальной степени риска, проводимой компетентным специалистом.

Гарантийные Обязательства

Гарантия на данное устройство составляет 24 месяца..

Пользователь должен быть предупрежден о том, что любые изменения в конструкции изделия или его модификация, не согласованные с изготовителем, аннулируют гарантию.

Для получения подробной информации о гарантии, пожалуйста, обратитесь к сайту компании Blatchford.

Побочные Эффекты и Инциденты

Возникновение побочных эффектов и серьезных инцидентов, связанного с данным устройством, маловероятно, тем не менее, в случае возникновения таковых, следует сообщить об этом производителю и представителю Blatchford в вашем регионе.

Экологические Аспекты

Данное устройство изготовлено из перерабатываемых материалов. По возможности утилизируйте устройство, как обычные отходы, в соответствии с правилами местного законодательства по утилизации и обращению с отходами.

Сохранение Этикетки на Упаковке

Протезисту рекомендуется сохранять этикетку на упаковке, поскольку она содержит необходимые данные о поставляемом устройстве.

Торговые Марки

Blatchford является зарегистрированной торговой маркой компании Blatchford Products Limited.

Зарегистрированный Адрес Производителя

Blatchford Products Limited, Lister Road, Basingstoke RG22 4AH, UK.

目录



目录.....	74
1 说明及设计用途	75
2 安全须知.....	76
3 构造	77
4 功能.....	78
5 维护	78
6 使用限制.....	79
7 安装建议.....	80
8 装配说明.....	81
9 技术数据.....	83
10 订购须知.....	84

1 说明及设计用途

本使用说明供假肢技师和用户使用，除非另有说明。

在本使用说明中频繁出现的“装置”一词用于指代大腿截肢用户专用吸著式接受腔阀门套件(柔性接受腔用)。

请确保您阅读并充分理解使用说明的所有内容，尤其是安全须知和维护部分。

用途

本装置仅作为大腿假肢的一部分使用。

一种由柔性热塑性接受腔材料制成，用在吸著式接受腔内的假肢阀门。

根据 Blatchford 的接受腔生产建议制造。

仅供单人使用。

功能及特性

- 保持接受腔内的真空。
- 按下中央按钮可实现手动进气或排气，从而调整接受腔内的真空度。
- 卸下中心螺纹阀可方便穿脱。

活动等级

本装置适合 1 至 4 级活动等级的用户；有体重限制，详见第9节“技术数据”部分。

当然，也存在例外情况。通过我们的建议，我们希望用户可以根据自身情况实现独特的个性化应用，但应在充分考虑其合理性之后再决定是否使用本装置。

1 级活动等级

具有用假肢以固定步频在水平面上活动或行走的能力或潜力。通常为受限或不受限活动者。

2 级活动等级

具有行走的能力或潜力，能够跨越低矮的环境障碍物，如路缘石、台阶或不平坦表面。通常为社区活动者。

3 级活动等级

具备以不同步频行走的能力或潜力。

能够跨越大多数环境障碍物，可能需要在假肢的辅助下从事简单活动以外的职业、治疗或锻炼类活动，通常为社区活动者。

4 级活动等级

具有用假肢行走的能力或潜力，行走技能超过基础水平，表现出高冲击力、应力或能量等级。通常为有假肢需求的儿童、活跃型成年人或运动员。

不适用

- 本装置不适合与刚性接受腔材料一起使用。
- 用户须具备充分的平衡能力、敏捷度和认知功能,才能在穿脱过程中使用本装置并了解如何操作它。
- 手部功能或认知功能较差的用户在穿戴、操作和清洁本装置时可能存在困难。
- 卫生状况不良
- 本装置不应当用在非全接触式接受腔中。

临床优势

- 可针对不同的活动和要求进行手动排气/进气管理。

2 安全须知



该警告标志用于强调必须认真遵守的重要安全信息。



本装置的性能或功能若有任何变化,如活动受限、动作不顺畅、出现异响或失去真空,都应立即报知服务提供商。



下台阶时以及任何其他时间都应始终握好扶手(若有)。



避免暴露于极端高温和/或寒冷环境中。



本装置不适合极限运动、赛跑、骑行比赛、冰雪运动、极陡坡面和台阶。用户从事任何上述活动都须自行承担一切风险。允许休闲类骑行。



始终注意手指安全,防止夹伤。



本装置的组装、维护和修理只能由具备适当资质的假肢技师来进行。



严禁用户自行调节或改动本装置的设置。



建议用户在身体状况出现变化时及时联系执业医师。



用户只能驾驶经过适当改装的机动车。操作机动车辆时,所有人员必须遵守各自适用的驾驶法规。



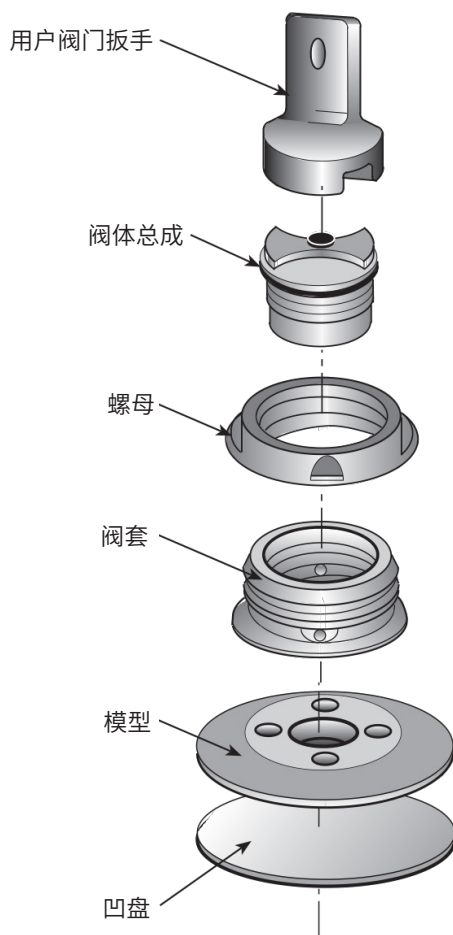
本装置专为长时间浸没而设计,但只适合在淡水中浸没。请确保每次在水中使用时都遵守使用限制中的要求。

3 构造

主要部件

- 用户阀门扳手 尼龙或缩醛均聚物
- 阀体总成 缩醛均聚物
- 螺母 缩醛均聚物
- 阀套 缩醛均聚物
- 模型 缩醛均聚物
- 凹盘 氯丁橡胶

部件识别



4 功能

本装置用于在假肢接受腔内保持真空。本装置允许手动调节真空度,通过中央按钮可以排气。该装置允许通过卸下中央阀门的方式穿上(拉入)假肢接受腔。

5 维护

定期对本装置进行目视检查。

本装置的性能若有任何变化,应立即报知假肢技师/服务提供商。

性能变化可能包括:

- 失去真空
- 异响
- 缺乏或失去控制/连接
- 残肢状况恶化/改变
- 残肢组织受损
- 本装置的性能发生改变

体重和/或活动等级发生任何变化时,都应报知假肢技师/服务提供商。

用湿布与温性肥皂清洁外表面,不得使用腐蚀性清洁剂。

清洁本装置

本装置集成在一个假肢接受腔中,须每天清洗,以免细菌积聚。应小心操作接受腔和本装置,以免沾染灰尘、沙砾和其他可能对皮肤造成刺激的污染物。

使用前应彻底干燥。

清洁残肢

1. 使用假肢之前以及之后应当对其进行检查,或至少每天检查一次。残肢状况发生任何恶化时,都应及时报知假肢技师。如果残肢出现组织损伤,请咨询假肢技师。
2. 每天用 pH 值均衡的无香型肥皂清洁皮肤;用清水冲洗皮肤,以清除所有残留物。
3. 干燥残肢。
4. 按照医生的建议,在干燥的皮肤上涂抹乳液。
5. 妥善处置任何皮肤损伤或开放性伤口,以防与本装置直接接触。

本节其余内容仅供假肢技师使用。

维护操作只能由合格人员(假肢技师或经过专业训练的技术人员)进行。

以下常规维护操作应至少每年进行一次。

- 检查本装置是否正常工作,如果不正常,则根据 **安装建议** 查找故障。

6 使用限制

预期使用寿命

应根据活动和使用情况进行局部风险评估。

负重

用户的体重和活动应遵守所述限制。

用户应根据局部风险评估结果进行负重。

环境

避免将本装置暴露于腐蚀性元素中,如酸、工业洗涤剂、漂白剂或氯。

为本装置涂抹乳霜时应谨慎操作,因为此类物质可能会阻塞阀门。

本产品的最大防水深度为 1 米。在磨蚀性环境(例如含沙/砂环境)中使用后,请用淡水彻底冲洗,以防止磨损或损坏本装置。在含盐或含氯的水中使用后,请用淡水彻底冲洗本装置。

仅限在 -15°C 至 50°C 范围内使用



适合浸没

7 安装建议

本节内容仅供假肢技师使用。

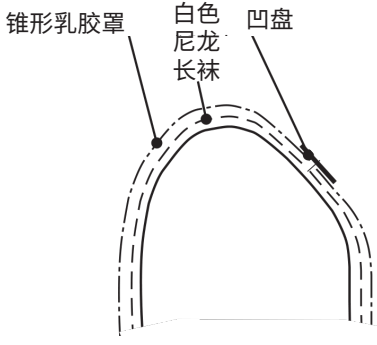
表现	解决方法
本装置不能保持真空	<ol style="list-style-type: none">1. 检查阀体是否牢固地位于假肢接受腔内。2. 检查阀套是否正确固定到凹槽中。3. 拆解并清洁阀门。

考虑阀门在最终接受腔的位置,以满足个体用户的独特需求。大多数用户倾向于将阀门置于中远位置或稍微向前,与长收肌成一线。

8 装配说明

本节内容仅供假肢技师使用。


1



锥形乳胶罩 白色尼龙长袜 凹盘

1. 在需要安装阀门的位置局部压平石膏模型, 确保该部位有足够大的空间用于容纳模型 940663。
2. 给石膏模型套上白色尼龙长袜和锥形乳胶罩。
3. 进行第一次抽真空操作, 使长袜和锥形乳胶罩在石膏模型上贴敷成型。
4. 找到凹盘 093503 的位置, 用双面胶带固定到位。

2

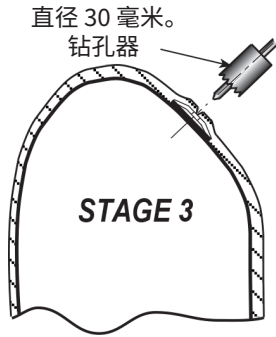


模型 940663

STAGE 2

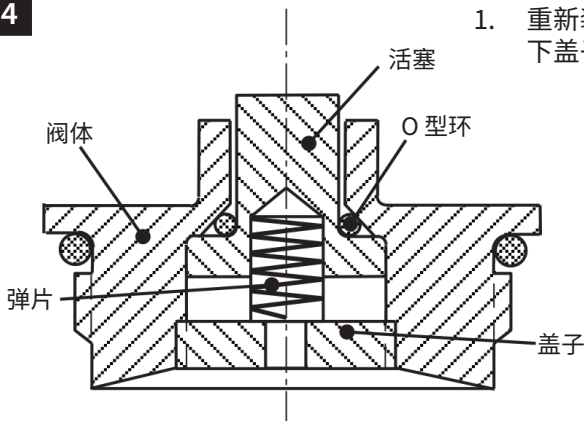
1. 将模型放在一段双面胶带 (926401 - 50 毫米) 上, 并沿圆周裁切。在模型中心下方裁下胶带, 确保 4 个真空出气孔和中心孔未被遮盖。
2. 用双面胶带将模型固定到位。在阀门周围, 通过中心孔和 4 个真空出气孔刺穿锥形乳胶罩和凹盘
3. 将一片非常柔韧的接受腔材料 (EVA/低密度聚乙烯共聚物) 放入 150°C 的烘箱中大约 13 分钟, 6 分钟时将材料翻转一下。

3



1. 将锥形热塑材料套在石膏模型上，并进行第二次抽真空操作。待其冷却。
2. 趁材料还在模型上时，将直径 30 毫米的钻孔器置于模型中心孔旁的塑料材料印记区域的中心位置。
3. 在石膏模型/柔性接受腔的远端朝膝关节接合面方向堆积石膏。注意不要让石膏进入孔内(用橡皮泥塞住)。
4. 给石膏模型/柔性接受腔套上锥形乳胶罩，然后将尼龙长袜作为真空出气孔。
5. 用标准的套披手法制作外部容器。
6. 完成后，取下外部容器，并将模型从柔性接受腔上取下。
7. 将阀套 093501 插入柔性接受腔的孔内。(必要时使用凡士林)。这是为了紧密适配而不扩大孔径。用锁环 940063 上紧螺母 093502。
8. 24 小时后再次上紧阀门螺母。

4



1. 重新装配前，使用 940047 号工具卸下盖子并清洁所有内部零件。

9 技术数据

部件号: 099135 (孔径 24 毫米)

使用和存放温度范围: -15 °C 至 50 °C

部件重量: 27 克

活动等级: 1-4

10 订购须知

部件号

099135 (孔径 24 毫米)

备件	
用户阀门扳手	940046
阀体总成	099334
螺母	093502
阀套	093501
模型	940663
凹盘	093503

工具

描述	部件号
阀门扳手	940047

免责声明

制造商建议只在指定条件下和设计用途范围内使用本装置。本装置必须按照随附的使用说明进行维护。对于因使用未经制造商授权的任何部件组合而造成的任何不良后果，制造商概不负责。

欧盟合规认证

本产品符合欧盟第“2017/745”号医疗器械法规的要求。根据该法规“附录 8”所列分类规则，本产品被归为 I 类医疗器械。查看欧盟《符合性声明》证书请访问下方网址：www.blatchford.co.uk



医疗器械



单人 - 多次使用

兼容性

如需将其他产品与 Blatchford 品牌的产品组合使用，须根据相关标准和医疗器械法规进行测试（包括结构测试、尺寸兼容性测试和现场性能监测），测试通过后方可获准。

与其他具有 CE 认证标识的产品组合使用时，必须遵循假肢技师出具的局部风险评估意见。

保修

本装置保修期为 24 个月。

用户应注意，在未经明确许可的情况下对装置进行改动或改装，可能会造成保修、使用牌照和免责条款失效。

最新完整保修声明见 Blatchford 网站。

严重事故报告

使用本装置不大可能发生严重事故，如若发生，应报知制造商以及您所在国家的主管部门。

环保事项

本产品由可回收材料制造。应尽可能根据当地的废物处理法规对部件进行回收处理。

保留包装标签

建议假肢技师保留包装标签，作为所购装置的一份记录。

商标确认

Blatchford Products Limited 的注册商标。

制造商注册地址

Blatchford Products Limited, Lister Road, Basingstoke RG22 4AH, UK. (英国)

86.....	المحتويات	
87.....	الوصف والغرض من الاستخدام	١
88.....	معلومات السلامة	٢
89.....	التركيب	٣
90.....	الوظيفة	٤
90.....	الصيانة	٥
91.....	قيود الاستخدام	٦
92.....	نصائح بشأن التركيب	٧
93.....	إرشادات التجميع	٨
95.....	البيانات الفنية	٩
96.....	معلومات الطلب	١٠

1 الوصف والغرض من الاستخدام

أعدت إرشادات الاستخدام المائلة بهدف أن يستخدمها كل من الممارس والمستخدم ما لم يُنص على خلاف ذلك. تُستخدم كلمة جهاز متى وُردت في إرشادات الاستخدام المائلة للإشارة إلى طقم صمام تجويف الشفط أعلى الركبة للتجويفات المرنة.

يُرجى قراءة كل ما جاء في إرشادات الاستخدام والتأكد من فهمها، وخاصةً جميع معلومات السلامة وتعليمات الصيانة.

الاستخدام

هذا الجهاز مصمم للاستخدام حصريًا كجزء من طرف صناعي سفلي أعلى الركبة.

صمام طرف صناعي للاستخدام في تجويفات الشفط المصنوعة من مواد التجويف البلاستيكية الحرارية المرنة.

تم تركيبه وفقًا لتوصيات تصنيع تجويفات Blatchford.

مخصص لمستخدم واحد فقط.

الميزات

- يحتفظ بالفراغ داخل التجويف.
- انخفاض مستوى الزر المركزي يسمح بإدخال أو طرد الهواء يدويًا، مما يعمل على ضبط نسبة الفراغ داخل التجويف.
- سهولة الارتداء/الخلع من خلال إزالة الصمام المسنن المركزي.

مستوى النشاط

هذا الجهاز مناسب لمستويات النشاط من 1 إلى 4؛ تطبق حدود الوزن، انظر البيانات الفنية، القسم 9. هنالك بعض الاستثناءات بطبيعة الحال، ونحن نُراعي في توصيتنا وجود ظروف خاصة واستثنائية، ومن ثم فإن أي قرار من هذا القبيل ينبغي أن يكون مشفوعًا بتقرير وافٍ وسليم.

مستوى النشاط 1

القدرة على أو إمكانية استخدام الطرف الصناعي في عمليات الانتقال أو السير على الأسطح المستوية بإيقاع ثابت. وهو المستوى المعتاد للقادرين على السير محدودة وغير محدودة بسرعة محدودة وغير محدودة.

مستوى النشاط 2

القدرة على أو إمكانية السير مع القدرة على اجتياز الحواجز البيئية منخفضة المستوى مثل الرُصُفان، أو السلالم، أو الأسطح غير المستوية. وهو المستوى المعتاد للقادرين على السير والتنقل في المجتمع باستقلالية بسرعة محدودة.

مستوى النشاط 3

القدرة على أو إمكانية السير بإيقاع متغير. عادةً ما يُقصد بذلك الأشخاص القادرين على السير والتنقل في المجتمع باستقلالية ممن لديهم القدرة على اجتياز معظم العوائق البيئية ويُحتمل أن يمارسوا نشاطًا مهنيًا أو علاجيًا أو ترفيهيًا يتطلب استخدام طرف صناعي لغرض أكبر من مجرد التنقل.

مستوى النشاط 4

القدرة على أو إمكانية السير باستخدام طرف صناعي مخصص لغرض يتخطى مهارات السير الأساسية، مع تحقيق مستويات مرتفعة من التأثير أو الضغط أو الطاقة. وعادةً ما تكون تلك هي متطلبات الطرف الصناعي للأطفال أو البالغين النشطين أو الرياضيين.

موانع الاستخدام

- هذا الجهاز غير مناسب للاستخدام مع مواد التجويف الصلبة.
- يجب أن يتمتع المستخدمون بالقدر الكافي من التوازن والمهارة والوظيفة الإدراكية ليتمكنوا من استخدام الجهاز أثناء الارتداء/الخلع وفهم كيفية تشغيل الجهاز.
- قد يجد المستخدمون الذين يعانون من ضعف في اليد أو الوظيفة الإدراكية أن تنظيف الجهاز وتشغيله وارتدائه أمر شاق.
- قلة النظافة الشخصية
- ينبغي ألا يُستخدم الجهاز في التجويفات التي لا تكون في تماس تام مع الطرف المتبقي.

المنافع السريرية

- يسمح بالتحكم في طرد/إدخال الهواء يدويًا لأداء الأنشطة والمتطلبات المختلفة.

٢ معلومات السلامة

يرمز التحذير هذا لمعلومات السلامة المهمة التي يجب اتباعها بعناية.



توخ الحذر طوال الوقت لتفادي خطر انحسار الإصبع.



لا يجب أن يتم تركيب الجهاز وصيانته وإصلاحه إلا من قبل طبيب مؤهل تأهيلاً مناسباً.



يجب ألا يُغيّر المستخدم إعدادات الجهاز أو يعبث بها.



ينبغي توجيه النصيحة للمستخدم بالاتصال بالممارس المسؤول عنه إذا تغيّرت حالته.



عند القيادة، تأكد من استخدام المركبات المعدلة بشكل مناسب فقط. يجب على جميع الأشخاص مراعاة قوانين القيادة الخاصة بهم عند قيادة المركبات الآلية.



الجهاز مصمم للغمر بالماء فترات طويلة ومناسب للغمر بالماء العذب فقط. تأكد من توافق أي استخدام للجهاز في الماء مع الشروط الواردة في قيود الاستخدام.



ينبغي إبلاغ مقدم الخدمة الخاص بك على الفور بأي تغيرات في أداء أو وظيفة الجهاز، على سبيل المثال تقييد أو عدم سلاسة الحركة أو صدور ضجيج غير معتاد أو فقدان الفراغ.



استخدم دائماً الدرابزين عند نزول الدرج وفي أي وقت آخر إذا كان متاحاً.



تجنب تعريضه إلى درجات الحرارة الشديدة و/أو البرودة القارصة.



الجهاز غير مناسب لممارسة الرياضات العنيفة أو سباقات الدراجات الهوائية أو الجري أو رياضات التزلج على الجليد والثلج أو السير على المنحدرات والمرفقات الوعرة. أي ممارسة لهذه الأنشطة تكون على مسؤولية المستخدمين الخاصة بشكل تام. مسموح بركوب الدراجات على سبيل الترفيه.



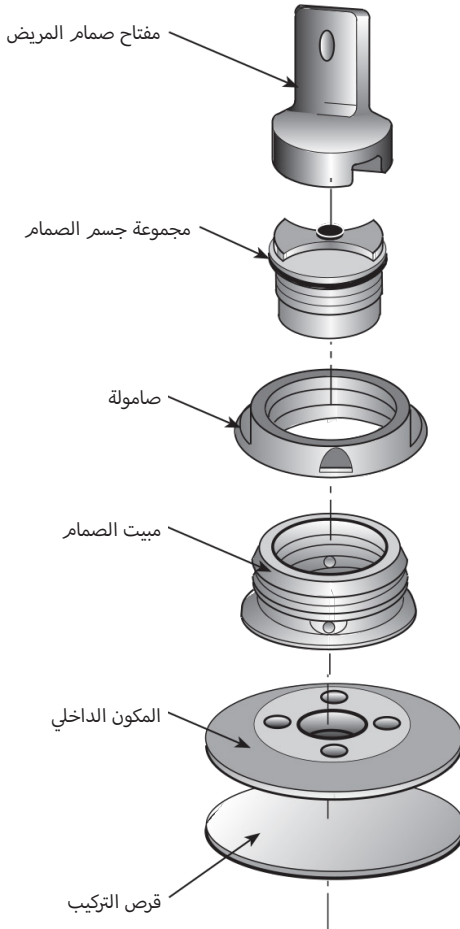
٣ التركيب

الأجزاء الرئيسية

النايلون أو بوليمر الأستاتال المتجانس
بوليمر الأستاتال المتجانس
بوليمر الأستاتال المتجانس
بوليمر الأستاتال المتجانس
بوليمر الأستاتال المتجانس
مطاط الكلوروبرين

- مفتاح صمام المريض
- مجموعة جسم الصمام
- صامولة
- مبيت الصمام
- المكون الداخلي
- قرص التركيب

تحديد المكونات



٤ الوظيفة

يوفر هذا الجهاز وسيلة للاحتفاظ بالفراغ داخل تجويف الطرف الصناعي. يسمح الجهاز بالضغط اليدوي للفراغ وطرده الهواء عبر الزر المركزي. يسمح الجهاز بارتداء (سحب) تجويفات الأطراف الصناعية عن طريق إزالة الصمام المركزي.

٥ الصيانة

يتعين فحص الجهاز بشكلٍ مُنتظم عن طريق المعاينة البصرية. يرجى الإبلاغ عن أي تغيرات في أداء هذا الجهاز إلى الممارس/مقدم الخدمة. قد تشمل التغيرات في الأداء ما يلي:

- فقدان الفراغ
- ضجيج غير معتاد
- نقص أو فقدان التحكم/الاتصال
- أي اختلال وظيفي/تغيرات في الجذعة
- أي تلف في أنسجة الجذعة
- أي تغيرات تطراً على أداء الجهاز

كما يتعين أيضاً إبلاغ الممارس/مقدم الخدمة بأي تغيرات تطراً على وزن الجسم و/أو مستوى النشاط. استخدم قطعة قماش رطبة وصابوناً لطيفاً لتنظيف الأسطح الخارجية، يُحظر استخدام المنظفات القوية.

تنظيف الجهاز

إن الجهاز مُدمج في تجويف طرف صناعي ينبغي تنظيفه يومياً لتجنب أي تراكم للبكتيريا. توحَّ الحذر عند التعامل مع التجويف والجهاز لتجنب التقاط الغبار والحصى والتعرض لملوثات أخرى من شأنها التسبب في تهيج الجلد. جفِّف الجهاز جيداً قبل الاستخدام.

تنظيف الجذعة

1. افحص الجذعة قبل استخدام الطرف الصناعي وبعده أو بشكل يومي على الأقل. ينبغي إبلاغ الممارس في حالة اكتشاف أي تدهور في حالة الجذعة. إذا كانت هناك أنسجة تالفة في الجذعة، فأبلغ الممارس الخاص بك للحصول على المشورة.
2. نظف الجلد يومياً باستخدام صابون غير مُعطر ذي درجة حموضة متوازنة، واشطف الجلد بالماء النظيف لإزالة جميع البقايا.
3. جفف الجذعة.
4. ضع المستحضر على جلد جاف، وفقاً لما يوصي به الممارس.
5. تأكد من تضميد أي جرح مفتوح أو أنسجة جلدية مُتضررة بشكلٍ صحيح ومناسب للحيلولة دون أي تلامس مُباشر مع الجهاز.

بقية الإرشادات الواردة في هذا القسم موجهة للممارس فقط.

- يجب إجراء أعمال الصيانة من خلال مختصين مؤهلين (ممارس أو فني مؤهل تأهيلاً مناسباً).
- يجب إجراء أعمال الصيانة الروتينية الآتية سنوياً على أقل تقدير.
- تحقق من أن الجهاز يعمل بشكل مناسب، إذا لم يكن الأمر كذلك فاعثر على الخطأ وفقاً ل نصائح بشأن التركيب.

٦ قيود الاستخدام

العمر التشغيلي المستهدف

يجب إجراء تقييم محلي للمخاطر بناءً على النشاط والاستخدام.

رفع الأحمال

وزن المستخدم ونشاطه يخضعان للحدود المذكورة.

يجب أن يستند الحمل الذي يحمله المستخدم إلى تقييم المخاطر المحلية.

البيئة

يُنصح بتجنّب تعريض الجهاز لأي مواد مسببة للتآكل مثل الأحماض أو المنظفات الصناعية أو المبيّضات أو الكحول.

ينبغي توخي الحذر بشأن استخدام الكريّمات أو المستحضرات السائلة مع هذا الجهاز، نظرًا لأنها قد تلتف الصمام.

هذا المنتج مقاوم للماء حتى عمق 1 متر كحد أقصى. احرص على شطفه جيّدًا بالماء العذب بعد الاستخدام في البيئات التي

يحدث فيها احتكاك، مثل تلك التي قد تحتوي على رمل أو حصى، وذلك لمنع حدوث تآكل أو تلف للجهاز. اشطفه جيّدًا بالماء

العذب بعد استخدامه في الماء المالح أو المعالج بالكحول.

مخصص فقط للاستخدام في درجة حرارة تتراوح بين 15° مئوية و50° مئوية



ملائم للغمر في الماء

٧ نصائح بشأن التركيب

الإرشادات الواردة في هذا القسم مُوجهة للممارس فقط.

العلاج	الأعراض
1. تحقق من أن جسم الصمام موضوع ومثبت بإحكام داخل تجويف الطرف الصناعي.	الجهاز غير قادر على الاحتفاظ بالفراغ
2. تحقق من أن مبيت الصمام مثبت بشكل صحيح في الفجوة.	
3. فكك الصمام ونظفه.	

ضع في اعتبارك أن يكون موقع الصمام على التجويف الدائم مناسباً لمتطلبات الفريدة لكل مستخدم. فأغلب المستخدمين يفضلون وضع الصمام بعيداً عن وسط الجسم وإلى الأمام قليلاً بمحاذاة العضلة المقربة الطويلة.

٨ إرشادات التجميع

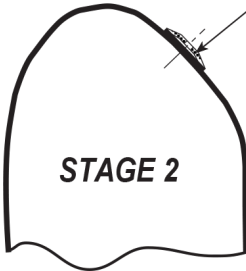
الإرشادات الواردة في هذا القسم موجهة للممارس فقط.

1



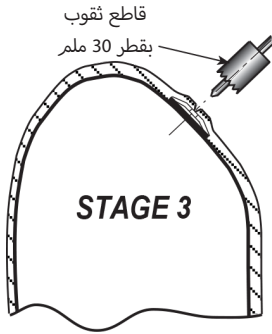
1. قم بتسوية سطح جبهة الجص عند موضع تركيب الصمام، مع ضمان وجود مساحة كبيرة بما يكفي لاستيعاب المكون الداخلي 940663.
2. ركب جورب نايلون أبيض ومخروطاً من المطاط فوق الجبهة.
3. قم بتفريغ الهواء أولاً ليلتصق الجورب والمخروط المطاطي بالجبهة.
4. حدد موقع قرص التركيب 093503 وثبته في موضعه بشريط مزدوج الجانب.

2



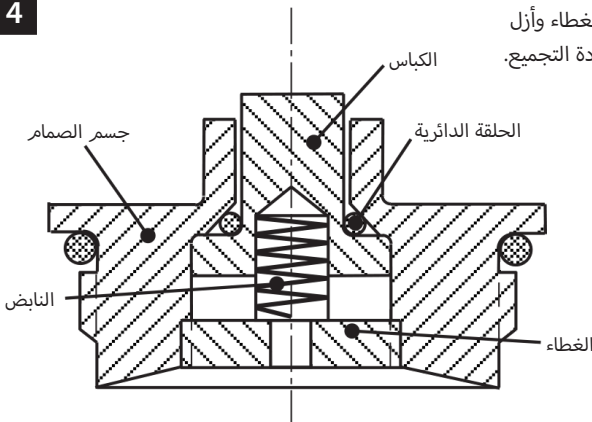
1. ضع المكون الداخلي على قطعة من الشريط مزدوج الجانب (926401 - 50 ملم) وقص حول المحيط. اقطع الشريط أسفل مركز المكون الداخلي لضمان عدم تغطية فتحات التفريغ الأربعة والفتحة المركزية.
2. ثبت المكون الداخلي بشريط مزدوج الجانب. اثقب المخروط المطاطي والقرص بإبرة حول منطقة الصمام، عبر الفتحة المركزية وفتحات التفريغ الأربعة.
3. ضع لوحاً من مادة تجويف ذات درجة عالية من المرونة (أسيئات إيثيلين فاينيل (EVA)/كوبوليمير البولي إيثيلين منخفض الكثافة) في الفرن على درجة حرارة 150° مئوية لمدة 13 دقيقة تقريباً، مع قلب اللوح مرة واحدة بعد 6 دقائق.

3



1. قم بتغطية الجبيرة بالمخروط البلاستيكي الساخن وقم بتفريغ الهواء للمرة الثانية. اتركه ليبرد.
2. بينما لا يزال المخروط موضوعاً على الجبيرة، ضع قاطع ثقب بقطر 30 ملم في مركز الأثر في البلاستيك المتكون من الفتحة المركزية للمكون الداخلي.
3. شكّل الطرف القاصي للجبيرة/التجويف المرن باستخدام الجص على السطح البيئي للركبة. تأكد من عدم دخول الجص في الفتحة (سد الفتحة بالبلاستيك).
4. شد المخروط المطاطي فوق الجبيرة/التجويف المرن، متبوعاً بجورب النايلون بحيث يعمل كفتيل لتفريغ الهواء.
5. ركب الحاوية الخارجية باستخدام أساليب التغطية القياسية.
6. عند الانتهاء، أزل الحاوية الخارجية وأزل المكون الداخلي من التجويف المرن.
7. أدخل مبيت الصمام 093501 من خلال الفتحة الموجودة في التجويف المرن. (استخدم الفازلين إذا لزم الأمر). يفترض أن تكون الأجزاء مشدودة بإحكام، فلا تقم بتوسيع الفتحة. اربط الصامولة بإحكام 093502 باستخدام حلقة القفل 940063.
8. أعد ربط صامولة الصمام بإحكام بعد 24 ساعة.

4



1. باستخدام الأداة رقم 940047، فك الغطاء وأزل جميع الأجزاء الداخلية ونظفها قبل إعادة التجميع.

٩ البيانات الفنية

099134 (ثقب بقطر يبلغ 24 ملم)

رقم القطعة:

-15° إلى 50° مئوية

نطاق درجة حرارة التشغيل والتخزين:

27 جم

وزن المكوّن الأساسي:

4-1

مستوى النشاط:

١٠ معلومات الطلب

رقم القطعة

099134 (ثقب بقطر يبلغ 24 ملم)

قطع الغيار	
940046	مفتاح صمام المريض
099334	مجموعة جسم الصمام
093502	صامولة
093501	مبيت الصمام
940663	المكون الداخلي
093503	قرص التركيب

الأدوات

الوصف	رقم القطعة
مفتاح ربط للصمام	940047

المسؤولية

توصي الجهة المصنعة بقصر استخدام الجهاز على الظروف المحددة وأعراض الاستخدام المقصودة. يجب صيانة الجهاز وفقاً لإرشادات الاستخدام المرفقة مع الجهاز. لن تتحمل الجهة المصنعة أي مسؤولية عن أي نتائج سلبية ناجمة عن أي مكونات لم تصرح باستخدامها مع الجهاز.

المطابقة لمواصفات المفوضية الأوروبية (CE)

يستوفي هذا المنتج متطلبات اللائحة الأوروبية 2017/745 EU للأجهزة الطبية. تم تصنيف هذا المنتج كجهاز من الفئة 1 وفقاً لقواعد التصنيف الموضحة في الملحق الثامن من اللائحة. تتوفر شهادة إعلان المطابقة للمواصفات الأوروبية على الموقع الإلكتروني التالي: www.blatchford.co.uk

مريض واحد - استخدامات متعددة



جهاز طبي



التوافق

اعتمدت عملية الاستخدام مع المنتجات التي تحمل علامة Blatchford استناداً إلى اختبارات أجريت طبقاً للمعايير ذات الصلة ولوائح الأجهزة الطبية متضمنة الاختبار الهيكلي وتوافق الأبعاد والأداء الميداني المرصود. ويجب أن يتم الاستخدام المتزامن مع المنتجات البديلة التي تحمل علامة المطابقة الأوروبية (CE) في ضوء تقييم المخاطر المحلية الموثق والذي يطلع به أحد الممارسين.

الضمان

هذا الجهاز مشمول بضمان مدته 24 شهراً. يجب أن يدرك المستخدم أن إجراء التغييرات أو التعديلات غير المعتمدة صراحة من شأنها أن تبطل الضمان وتراخيص التشغيل والإعفاءات. يرجى الرجوع إلى موقع Blatchford الإلكتروني للحصول على بيان الضمان الكامل الحالي.

الإبلاغ عن الحوادث الخطيرة

في حالة وقوع حادث خطير غير متوقع يتعلق بهذا الجهاز، يجب إبلاغ الجهة المصنعة والسلطة الوطنية المختصة لديك.

الجوانب البيئية

هذا المنتج مصنوع من مواد قابلة لإعادة التدوير. يجب إعادة تدوير المكونات وفقاً للوائح المحلية للتعامل مع النفايات حيثما أمكن.

الاحتفاظ بملصق التغليف

يُنصح الممارس بالحفاظ على ملصق التغليف باعتباره مستنداً يُثبت اقتناء الجهاز.

إقرارات العلامة لتجارية

علامات تجارية مسجلة لصالح شركة Blatchford Products Limited.

العنوان المسجل للجهة المصنعة

Blatchford Products Limited, Lister Road, Basingstoke RG22 4AH, UK

blatchford.co.uk/distributors

Blatchford Products Ltd.

Unit D Antura
Kingsland Business Park
Basingstoke
RG24 8PZ
UNITED KINGDOM
Tel: +44 (0) 1256 316600
Fax: +44 (0) 1256 316710
Email: customer.service@blatchford.co.uk
www.blatchford.co.uk

Blatchford Inc.

1031 Byers Road
Miamisburg
Ohio 45342
USA
Tel: +1 (0) 800 548 3534
Fax: +1 (0) 800 929 3636
Email: info@blatchfordus.com
www.blatchfordus.com

Blatchford Europe GmbH

Am Prime-Parc 4
65479 Raunheim
GERMANY
Tel: +49 (0) 9221 87808 0
Fax: +49 (0) 9221/87808 60
Email: info@blatchford.de
www.blatchford.de

Email: contact@blatchford.fr
www.blatchford.fr

Endolite India Ltd.

A4 Naraina Industrial Area
Phase - 1
New Delhi
INDIA – 110028
Tel: +91 (011) 45689955
Fax: +91 (011) 25891543
Email: endolite@vsnl.com
www.endoliteindia.com

Ortopro AS

Hardangervegen 72
Seksjon 17
5224 Nesttun
NORWAY
Tel: +47 (0) 55 91 88 60
Email: post@ortopro.no
www.ortopro.no



Blatchford Europe GmbH
Am Prime-Parc 4
65479 Raunheim Germany

