

∅ 30 mm Tube Clamp Adapter with Female Pyramid

Instructions for Use

AK30M1

EN	Instructions for Use	2
SL	Navodila za uporabo	11
BG	Инструкции за употреба	20
HR	Upute za uporabu	29
SK	Návod na použitie	38
HU	Használati útmutató	47
EL	Οδηγίες χρήσης	56
LV	Lietošanas pamācība	65
LT	Naudojimo instrukcija	74
ET	Kasutusjuhend	83

Contents



Contents	2
1 Description and Intended Purpose	3
2 Safety Information	4
3 Construction	5
4 Function.....	5
5 Maintenance	6
6 Limitations on Use	7
7 Fitting Advice.....	8
8 Technical Data	9
9 Ordering Information	9

1 Description and Intended Purpose

These Instructions for Use are intended for the practitioner and user, unless otherwise stated. The term *device* is used throughout to refer to the $\emptyset 30$ mm Tube Clamp Adapter with Female Pyramid.

Please read and ensure you understand these instructions, in particular all safety information and maintenance instructions.

Application

This device is to be used exclusively for lower limb prosthetic fittings, intended for a single user. The device is used to connect a $\emptyset 30$ mm tube securely to a Blatchford male pyramid, and allows for angular and rotational adjustment.

Features

- Lightweight, strong, titanium construction

Activity Level

This device is suitable for Activity Levels 1-4 (weight limits apply, see *Technical Data*). Of course there are exceptions and in our recommendation we want to allow for unique, individual circumstances and any such decision should be made with sound and thorough justification.

Activity Level 1

Has the ability or potential to use a prosthesis for transfers or ambulation on level surfaces at fixed cadence. Typical of the limited and unlimited household ambulator.

Activity Level 2

Has the ability or potential for ambulation with the ability to traverse low-level environmental barriers such as curbs, stairs, or uneven surfaces. Typical of the limited community ambulator.

Activity Level 3

Has the ability or potential for ambulation with variable cadence. Typical of the community ambulator who has the ability to traverse most environmental barriers and may have vocational, therapeutic, or exercise activity that demands prosthetic utilization beyond simple locomotion.

Activity Level 4

Has the ability or potential for prosthetic ambulation that exceeds basic ambulation skills, exhibiting high impact, stress, or energy levels. Typical of the prosthetic demands of the child, active adult, or athlete.

Contraindications

There are no known contraindications if used in accordance with these instructions.

Clinical Benefits

- Allows connection from shin tube to other prosthetic componentry.

2 Safety Information



This warning symbol highlights important safety information which must be followed carefully.



Any changes in the performance or function of the limb, e.g. excessive play or unusual noises, should be immediately reported to your service provider.



Always use a hand rail when descending stairs and at any other time if available.



The device is designed for prolonged submersion and suitable for immersion in fresh water only. Ensure any use of the device in water complies with the conditions given in *Limitations on Use*.



The user must not adjust or tamper with the setup of the device.



The user is advised to contact their practitioner if their condition changes.



To reduce the risk of injury due to failure or loosening of the bolt connections, ensure the bolt threads are cleaned thoroughly before each installation.



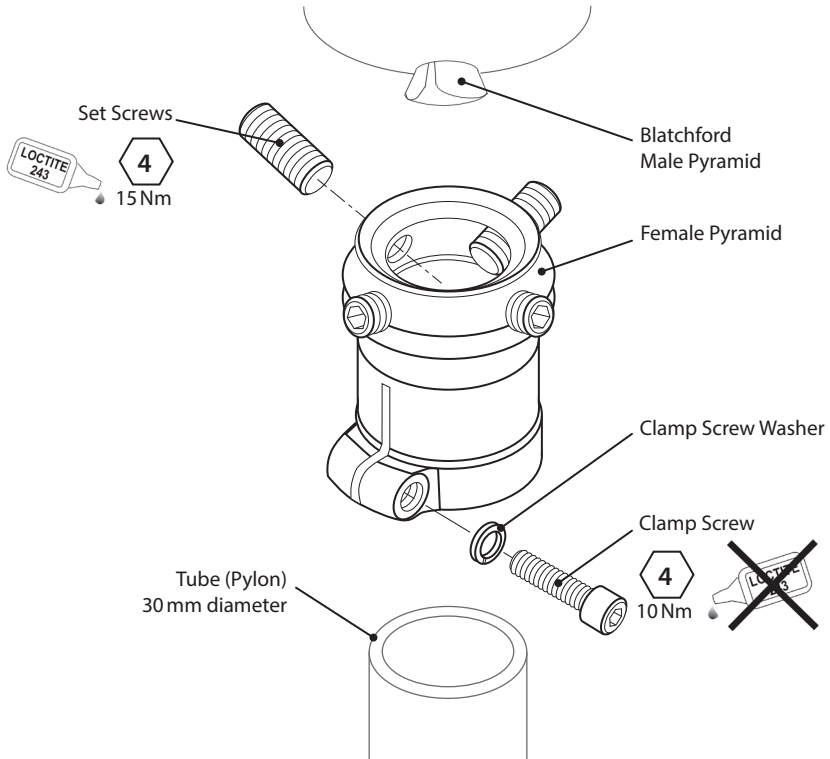
Always apply the specified torque value to the screws.

3 Construction

Principal Parts

- Female Pyramid Titanium
- Clamp Screw Plated steel
- Clamp Screw Washer Plated steel
- Set Screws Plated steel (x4)

Component Identification



4 Function

This device provides angular and rotational adjustment for a customized limb alignment to suit the amputee. When the set screws are tightened securely, using Loctite 243, this device offers a secure way to connect a 30 mm diameter tube to a male pyramid adapter.

5 Maintenance

Visually check the device regularly.

Report any changes in performance of this device to the practitioner/service provider e.g. unusual noises or significant wear.

Inform the practitioner/service provider of any changes in body weight and/or activity level.

Cleaning

Use a damp cloth and mild soap to clean outside surfaces. DO NOT use aggressive cleansers.

The remaining instructions in this section are for practitioner use only.

This maintenance must be carried out only by competent personnel (practitioner or suitable trained technician).

The following routine maintenance is to be carried out at least annually:

- Check for tube tightness. If loose, remove, clean and re-fit.
- Check the set screws for tightness. If loose, remove and clean, then apply Loctite 243 and tighten to the correct torque setting, see *Construction* section.
- Check for defects that could affect proper function.

Ensure the user has read and understood all safety and user-level maintenance information.

Advise the user that a regular visual check of the device is recommended and signs of wear that may affect function should be reported to their service provider.

Advise the user to inform the practitioner/service provider of any changes in body weight and/or activity level.

If this device is used for extreme activity, the maintenance level and interval should be reviewed and if required advice and technical support sought to plan a new maintenance schedule dependent upon the frequency and nature of the activity. This should be determined by a local risk assessment carried out by a suitably qualified individual.

6 Limitations on Use

Intended Life

A local risk assessment should be carried out based upon activity and usage.

Lifting Loads

User weight and activity is governed by the stated limits.

Load carrying by the user should be based on a local risk assessment.

Environment

This device is waterproof to a maximum depth of 1 meter. Thoroughly rinse with fresh water after use in abrasive environments such as those that may contain sand or grit, for example, to prevent wear or damage to moving parts. Thoroughly rinse with fresh water after use in salt or chlorinated water.

Exclusively for use between -15 °C and 50 °C (5 °F to 122 °F).

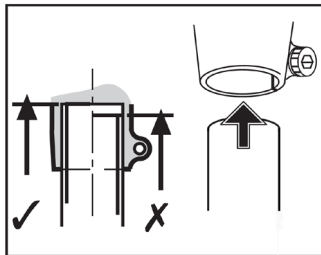
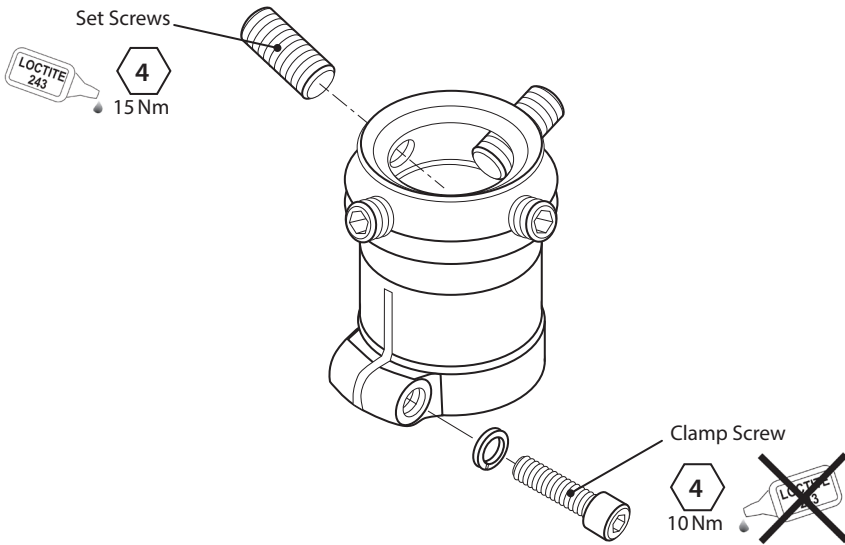


Suitable for submersion

7 Fitting Advice

The instructions in this section are for practitioner use only.

Position as close as practical to the build line.



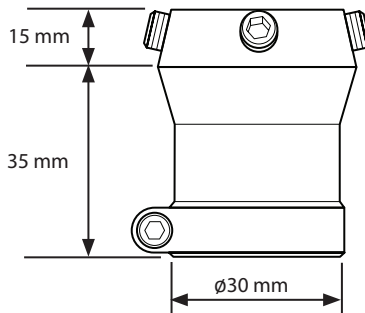
Symptom	Solution
A recurring noise occurs at the device interfaces.	Check security of all alignment screws and tube clamp. Apply Loctite as required and tighten to correct torque settings. Ensure mating surfaces are clean and end of tube is cut square.
The adapter moves out of position.	User must not use the device until adjusted, repaired or replaced.

8 Technical Data

Operating and Storage Temperature Range:	-15 °C to 50 °C (5 °F to 122 °F)
Component Weight:	92 g (3 oz)
Activity Level:	1–4
Maximum User Weight:	145 kg (320 lb)/1–4 150 kg (330 lb)/1–3
Attachment Type:	Proximal— female pyramid (Blatchford) Distal—30 mm diameter tube
Range of Adjustment:	360° axial rotation ±7° tilt from vertical
Length:	15 mm (50 mm)

Fitting Length

The device is of fixed length.



Storage and Handling

When storing for prolonged periods, ensure the product is free from moisture and stored at room temperature.

9 Ordering Information

Device	Part Number
30 mm Tube Clamp Adapter with Female Pyramid	AK30M1

Liability

The manufacturer recommends using the device only under the specified conditions and for the intended purposes. The device must be maintained according to the instructions for use supplied with the device. The manufacturer is not liable for any adverse outcome caused by any component combinations that were not authorized by them.

CE Conformity

This product meets the requirements of the European Regulation EU 2017/745 for medical devices. This product has been classified as a class I device according to the classification rules outlined in Annex VIII of the regulation. The EU declaration of conformity certificate is available at the following internet address: www.blatchford.co.uk



Medical Device



Single Patient – multiple use

Compatibility

Combination with Blatchford branded products is approved based on testing in accordance with relevant standards and the MDR including structural test, dimensional compatibility and monitored field performance.

Combination with alternative CE marked products must be carried out in view of a documented local risk assessment carried out by a Practitioner.

Warranty

This device is warranted for 24 months.

The user should be aware that changes or modifications not expressly approved could void the warranty, operating licenses and exemptions.

See the Blatchford website for the current full warranty statement.

Reporting of Serious Incidents

In the unlikely event of a serious incident occurring in relation to this device it should be reported to the manufacturer and your national competent authority.

Environmental Aspects

This product is made from a recyclable material. Where possible, the components should be recycled in accordance with local waste handling regulations.

Retaining the Packaging Label

The practitioner is advised to keep the packaging label as a record of the device supplied.

Trademark Acknowledgements

Blatchford is a registered trademark of Blatchford Products Limited.

Manufacturer's Registered Address

Blatchford Products Limited, Lister Road, Basingstoke RG22 4AH, UK.

Vsebina.....	11
1 Opis in namen uporabe	12
2 Varnostne informacije	13
3 Konstrukcija.....	14
4 Delovanje	14
5 Vzdrževanje.....	15
6 Omejitve uporabe.....	16
7 Nasvet za namestitev.....	17
8 Tehnični podatki	18
9 Podatki za naročanje.....	18

1 Opis in namen uporabe

Ta navodila za uporabo so predvidena za zdravnika in uporabnika, razen če je navedeno drugače. Izraz *pripomoček* se uporablja za cevno objemko za ženski piramidni adapter s premerom 30 mm. Preberite in poskrbite, da boste razumeli vsa navodila, predvsem vse varnostne informacije in navodila za vzdrževanje.

Uporaba

Ta pripomoček je treba uporabljati izključno s protezami za spodnje okončine, predviden pa je za enega uporabnika.

Pripomoček se uporablja za varno povezavo cevi premera 30 mm z moškim piramidnim adapterjem Blatchford in omogoča kotno ter rotacijsko prilagoditev.

Lastnosti

- Lahka, močna konstrukcija iz titana

Stopnja aktivnosti

Pripomoček je primeren za stopnje aktivnosti 1–4 (upoštevati je treba omejitve teže, glejte *Tehnični podatki*). Seveda pa obstajajo izjeme, zato pri našem priporočilu dopuščamo možnost edinstvenih, posameznih okoliščin, odločitev o tem pa je treba sprejeti na osnovi temeljite presoje.

Stopnja aktivnosti 1

Ima sposobnost ali potencial uporabljati protezo za transferje oz. premikanje po ravnih površinah z enakomernim korakom. Običajno omejeno in neomejeno pokretna oseba v gospodinjstvu in domačem okolju.

Stopnja aktivnosti 2

Ima sposobnost ali potencial za premikanje s sposobnostjo premagovanja nizkih ovir, kot so robniki, stopnice ali neravne površine. Običajno je to omejeno pokretna oseba v javnosti.

Stopnja aktivnosti 3

Ima sposobnost ali potencial za premikanje s spremenljivim korakom. Običajno pokretna oseba, ki lahko premaga večino okoljskih ovir in morda opravlja poklicno, terapevtsko ali fizično aktivnost, ki zahteva uporabo proteze, ki presega zgolj preprosto gibanje.

Stopnja aktivnosti 4

Ima sposobnost ali potencial za hojo s protezo, ki presega osnovne sposobnosti hoje, in je izpostavljena močnim udarcem, visokim obremenitvam ali visokim ravnem energije. Običajno za zahteve za protezo otroka, aktivne odrasle osebe ali športnika.

Kontraindikacije

Pri uporabi pripomočka v skladu s temi navodili kontraindikacije niso znane.

Klinične prednosti

- Omogoča povezavo od cevi goleni do druge protetične komponente.

2 Varnostne informacije



Ta opozorilni simbol poudarja pomembne varnostne informacije, ki jih je treba natančno upoštevati.



Morebitne spremembe v delovanju okončine, kot je npr. prekomerna zračnost ali neobičajni zvoki, je treba nemudoma javiti ponudniku storitve.



Pri hoji po stopnicah navzdol in vedno, ko je sicer mogoče, je treba uporabljati držala.



Pripomoček je zasnovan za dolgotrajno potopitev, in sicer samo v sladko vodo. Preverite, ali so pri uporabi tega pripomočka v vodi upoštevani pogoji, navedeni v *Omejitve uporabe*.



Uporabnik ne sme prilagajati ali spreminjati nastavitve pripomočka.



Uporabniku je treba svetovati, da se naj obrne na svojega zdravnika, če se njegovo stanje spremeni.



Za zmanjšanje tveganja telesnih poškodb zaradi odpovedi ali zrahljanja vijačnih povezav je treba pred vsako namestitvijo temeljito očistiti navoje vijakov.



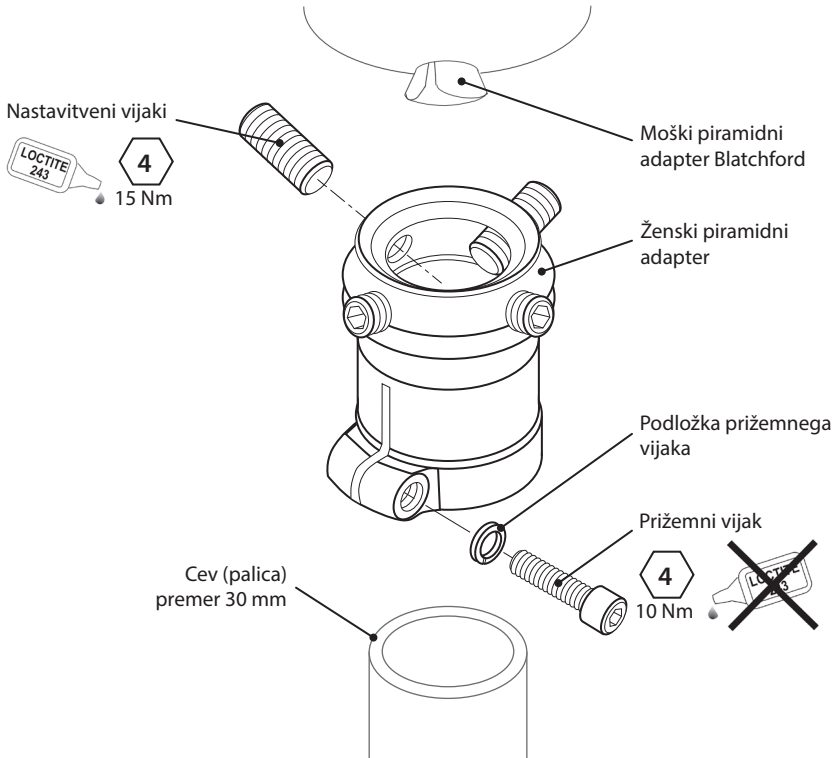
Vijake je treba vedno priviti z navedenim zateznim momentom.

3 Konstrukcija

Glavni deli

- Ženski piramidni adapter titan
- Prižemni vijak platirano jeklo
- Podložka za prižemni vijak platirano jeklo
- Nastavitveni vijaki platirano jeklo (4)

Identifikacija komponente



4 Delovanje

Ta pripomoček omogoča kotno in rotacijsko prilagoditev za poravnavo okončine po meri glede na potrebe uporabnika. Ko so nastavitveni vijaki čvrsto priviti in zavarovani z Loctite 243, pripomoček zagotavlja varen način za povezavo cevi premera 30 mm na moški piramidni adapter.

5 Vzdrževanje

Pripomoček je treba redno vizualno pregledovati.

Morebitne spremembe v delovanju pripomočka, kot so npr. neobičajni zvoki ali močna obraba, je treba nemudoma javiti zdravniku/ponudniku storitve.

Zdravnika/ponudnika storitve obvestite o morebitnih spremembah v telesni teži in/ali stopnji aktivnosti.

Čiščenje

Z vlažno krpo in blagim milom očistite zunanje površine. NE uporabljajte agresivnih čistil.

Preostala navodila v tem poglavju so samo za zdravnika.

To vzdrževanje lahko izvaja samo usposobljeno osebe (zdravnik ali ustrezno usposobljen zdravstveni tehnik).

Rutinsko vzdrževanje v nadaljevanju je treba opraviti najmanj enkrat letno:

- Preverite čvrstost pritrditve cevi. Če je zrahljana, jo odstranite, očistite in znova namestite.
- Preverite čvrstost pritrditve nastavitvenih vijakov. Če so zrahljani, jih odstranite in očistite, nanesite Loctite 243 in zategnite z navedenim zateznim momentom; glejte poglavje *Konstrukcija*.
- Preverite, ali so prisotne poškodbe, ki bi lahko vplivale na pravilno delovanje.

Poskrbite, da bo uporabnik prebral in razumel vse varnostne informacije ter informacije o vzdrževanju, ki ga mora opravljati uporabnik.

Uporabniku svetujte, naj redno vizualno pregleduje pripomoček in če opazi morebitno obrabo, ki bi lahko vplivala na delovanje, naj o tem obvesti ponudnika storitve.

Uporabniku svetujte, da zdravnika/ponudnika storitve obvesti o morebitnih spremembah v telesni teži in/ali stopnji aktivnosti.

Če se pripomoček uporablja za ekstremne aktivnosti, je treba preveriti raven in interval vzdrževanja ter se po potrebi posvetovati s tehnično podporo glede novega vzdrževalnega načrta na osnovi pogostosti in narave aktivnosti. To je treba določiti na osnovi lokalne ocene tveganja, ki jo mora opraviti ustrezno usposobljen posameznik.

6 Omejitve uporabe

Predvidena uporabna doba

Na osnovi aktivnosti in uporabe je treba opraviti lokalno oceno tveganja.

Dviganje bremen

Glede na težo in aktivnost uporabnika veljajo navedene omejitve.

Pri prenašanju bremena mora uporabnik upoštevati lokalno oceno tveganja.

Okolje

Pripomoček je vodotesen do globine največ 1 m. Po uporabi v abrazivnih okoljih, kot so tista, ki vsebujejo pesek ali prod, je treba pripomoček temeljito sprati v sladki vodi, da preprečite obrabo ali poškodbo premikajočih se delov. Pripomoček je prav tako treba temeljito sprati po uporabi v slani ali klorirani vodi.

Izključno za uporabo pri temperaturi med $-15\text{ }^{\circ}\text{C}$ in $50\text{ }^{\circ}\text{C}$.

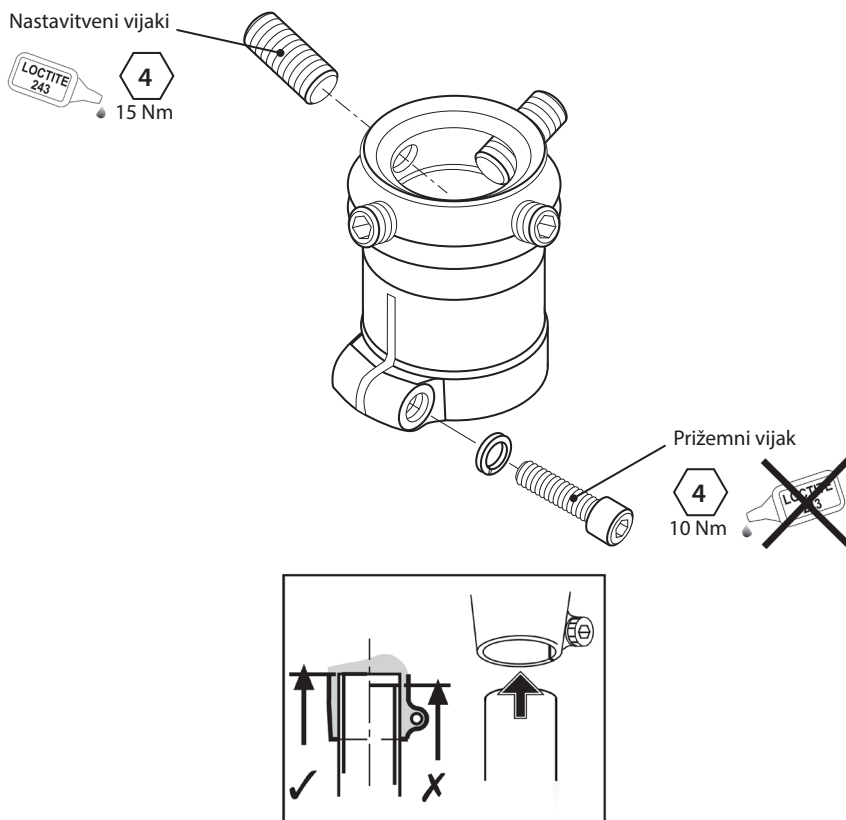


Primerno za potopitev v tekočine

7 Nasvet za namestitvev

Navodila v tem poglavju so namenjena samo zdravniku.

Namestite čim bliže liniji okončine.



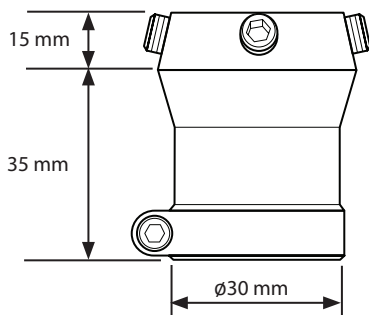
Težava	Rešitev
Ponavljajoč se zvok na stičiščih pripomočka.	Preverite, ali so vsi poravnalni vijaki in cevne objemke dobro pritrjeni. Po potrebi nanesite Loctite in zategnite z ustreznim zateznim momentom. Prepričajte se, da so stične površine čiste in je konec cevi pravokotno odrezan.
Adapter se premakne iz položaja.	Uporabnik pripomočka ne sme uporabljati, dokler mu ga ne prilagodijo, popravijo ali zamenjajo.

8 Tehnični podatki

Temperaturno območje za uporabo in hrambo:	-15 °C do 50 °C
Teža komponente:	92 g
Stopnja aktivnosti:	1–4
Največja teža uporabnika:	145 kg/1–4 150 kg/1–3
Vrsta pritrditve:	Proksimalno – ženski piramidni adapter (Blatchford) Distalno – cev s premerom 30 mm
Območje prilagoditve:	360° aksialni zasuk ±7° nagib iz navpičnega položaja
Dolžina:	15 mm (50 mm)

Namestitvena dolžina

Pripomoček ima fiksno dolžino.



Shranjevanje in uporaba

Pri daljšem shranjevanju poskrbite, da na pripomočku ni vlage in ga hranite pri sobni temperaturi.

9 Podatki za naročanje

Pripomoček	Številka dela
Adapter za 30-mm cevno objemko z ženskim piramidnim adapterjem	AK30M1

Odgovornost

Proizvajalec priporoča, da se pripomoček uporablja samo pri specifikiranih pogojih in v predvidene namene. Pripomoček je treba vzdrževati v skladu z navodili, priloženimi pripomočku. Proizvajalec ne prevzema odgovornosti za morebitne neželene posledice, nastale zaradi kakršnih koli kombinacij komponent, ki jih ni odobril.

Skladnost CE

Ta izdelek je v skladu z zahtevami evropske Uredbe EU 2017/745 o medicinskih pripomočkih. Ta izdelek je klasificiran kot izdelek razreda I v skladu z merili za klasifikacijo, navedenimi v prilogi VIII Uredbe. ES-izjava o skladnosti je na voljo na naslednjem spletnem naslovu: www.blatchford.co.uk



Medicinski pripomoček



Samo za enega bolnika –
za večkratno uporabo

Združljivost

Kombiniranje z izdelki znamke Blatchford je odobreno na osnovi preizkusov v skladu z ustreznimi standardi in uredbo o medicinskih pripomočkih, vključno s strukturnim testom, dimenzijsko združljivostjo in nadzorovano učinkovitostjo med uporabo.

Pri kombinacijah z alternativnimi izdelki z oznako CE je treba upoštevati dokumentirano lokalno oceno tveganja, ki jo opravi zdravnik.

Garancija

Ta pripomoček ima 24-mesečno garancijo.

Uporabnik se mora zavedati, da zaradi sprememb ali prilagoditev, ki niso izrecno odobrene, garancija, uporabne licence in izjeme morda ne bodo veljavne.

Za trenutno celotno garancijsko izjavo obiščite spletno stran podjetja Blatchford.

Prijava resnih nesreč

V malo verjetnem primeru resnih nesreč, nastalih v povezavi s tem pripomočkom, je treba o dogodku obvestiti proizvajalca in pristojne oblasti v vaši državi.

Okoljski vidiki

Pripomoček je izdelan iz materialov, ki jih je mogoče reciklirati. Kjer je mogoče, je treba komponente reciklirati v skladu z veljavnimi lokalnimi predpisi za obravnavo odpadkov.

Nalepka na embalaži

Zdravniku svetujemo, da nalepko na embalaži nameščenega pripomočka shrani za morebitno uporabo v prihodnje.

Izjave o blagovnih znamkah

Blatchford je registrirana blagovna znamka podjetja Blatchford Products Limited.

Uradni naslov proizvajalca

Blatchford Products Limited, Lister Road, Basingstoke RG22 4AH, Združeno kraljestvo.

Съдържание

BG

Съдържание.....	20
1 Описание и предназначение	21
2 Информация относно безопасността.....	22
3 Устройство.....	23
4 Функция.....	23
5 Поддръжка	24
6 Ограничения в употребата	25
7 Съвети относно монтажа.....	26
8 Технически данни.....	27
9 Информация за поръчка.....	27

1 Описание и предназначение

Настоящите инструкции за употреба са предназначени само за лекаря/протезиста и потребителя, освен ако не е посочено друго.

Терминът „изделие“ се отнася за адаптер – скоба за тръба с $\varnothing 30$ мм с обхващаща пирамида.

Моля, прочетете и се уверете, че разбирате тези инструкции и по-специално цялата информация относно безопасността и инструкциите за поддръжка.

Приложение

Това изделие е предназначено за използване изключително за фитинги за протези за долни крайници, предназначени за един потребител.

Изделието се използва за сигурно свързване на тръба с $\varnothing 30$ мм към входяща пирамида Blatchford и позволява регулиране на ъгъла и ротацията.

Характеристики

- Лека и здрава титанова конструкция

Ниво на мобилност

Изделието е подходящо за ниво на мобилност от 1 до 4 (при спазване на ограниченията за теглото, вж. *Технически данни*). Разбира се, има изключения и нашата препоръка е да се вземат предвид специфичните и индивидуални характеристики, като всяко такова решение трябва да бъде взето въз основа на разумна и изчерпателна обосновка.

Ниво на мобилност 1

Потребителят е в състояние или има потенциал да използва протезата за придвижване или ходене по равни повърхности при равномерен ритъм на крачката. Характерно за пациентите с ограничена и неограничена способност за движение, предимно на закрито.

Ниво на мобилност 2

Потребителят е в състояние или има потенциал да преодолява малки препятствия на околната среда, като бордюри, стъпала или неравни повърхности. Характерно за пациентите с ограничена способност за движение, които се придвижват на открито.

Ниво на мобилност 3

Потребителят е в състояние или има потенциал да се придвижва с различен ритъм на крачката. Характерно за пациенти, които се придвижват на открито без ограничения, които са способни да преодоляват повечето препятствия в околната среда и може да имат потребност от професионална, терапевтична или тренировъчна активност, която налага използване на протезата извън рамките на обикновеното придвижване.

Ниво на мобилност 4

Потребителят е в състояние или има потенциал да се придвижва с протезата извън рамките на базовите умения за придвижване, което е свързано с повишено натоварване, напрежение или ниво на енергия. Характерно за изискванията към протезите за деца, активни възрастни или спортисти.

Противопоказания

Няма известни противопоказания, ако се използва в съответствие с настоящите инструкции.

Клинични ползи

- Позволява свързване на тръбата на пищяла с останалите елементи на протезата.

2 Информация относно безопасността



Този предупредителен символ обозначава важна информация относно безопасността, на която трябва да се обърне внимание.



Всякакви промени в движението или функционирането на крайника, като например прекалено голям луфт или необичайни шумове, трябва да се докладват незабавно на лекаря/ протезиста.



Винаги използвайте парапет при слизане по стълби, както и при всеки друг случай, ако е възможно.



Изделието е предназначено за продължително потопяване под вода и намокряне само с питейна вода. Уверете се, че всяко използване на изделието във вода съответства на условията, посочени в *Ограничения в употребата*.



Потребителят не трябва да регулира или да променя настройката на изделието.



Препоръчва се потребителят да се свърже със своя лекар, ако състоянието му се промени.



За да се намали рискът от нараняване поради неизправност или разхлабване на болтовите съединения, резбата на болта трябва да се почиства добре преди всяко монтиране.



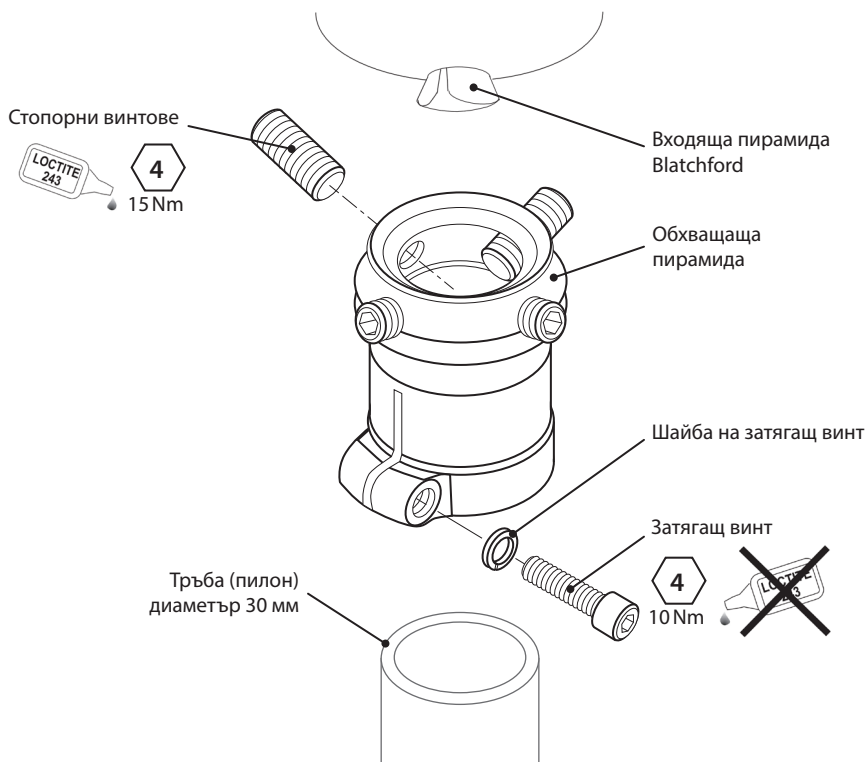
Винаги използвайте посочената стойност на силата на затягане за винтовете.

3 Устройство

Основни части

- Обхващаща пирамида Титан
- Затягащ винт Плакирана стомана
- Шайба на затягащ винт Плакирана стомана
- Стопорни винтове Плакирана стомана (4 бр.)

Обозначение на елементите



4 Функция

Изделието осигурява възможност за регулиране на ъгъла и ротацията за индивидуално центроване на крайника според потребностите на пациента. При здраво затягане на стопорните винтове с използване на Loctite 243 изделието предлага сигурен начин за свързване на тръба с диаметър 30 мм към адаптер на входяща пирамида.

5 Поддръжка

Проверявайте редовно изделието визуално.

Докладвайте всякакви промени във функционирането на изделието на лекаря/протезиста, като например необичайни шумове или значително износване.

Информирайте лекаря/протезиста за всякакви промени в телесното тегло и/или нивото на мобилност.

Почистване

Използвайте навлажнена кърпа и мек сапун за почистване на външните повърхности.

НЕ използвайте агресивни почистващи препарати.

Останалите инструкции в този раздел са предназначени само за лекаря/протезиста.

Поддръжката трябва да се извършва само от компетентен персонал (медицинско лице или техник с подходяща квалификация).

Най-малко веднъж годишно трябва да се извършва следната рутинна поддръжка:

- Проверете затегнатостта на тръбата. Ако е разхлабена, отстранете, почистете и поставете отново.
- Проверете затегнатостта на стопорните винтове. Ако са разхлабени, извадете ги и ги почистете, след това поставете Loctite 243 и ги затегнете до правилната настройка на сила на затягане, вж. раздел *Устройство*.
- Проверете за дефекти, които биха могли да повлияят на правилното функциониране.

Уверете се, че потребителят е прочел и разбрал цялата информация, свързана с безопасността и поддръжката, за която потребителят отговаря.

Информирайте потребителя, че е препоръчителна редовна визуална проверка на изделието, както и че всякакви признаци на износване, които може да повлияят на функционирането, трябва да бъдат докладвани на лекаря/протезиста.

Информирайте лекаря/протезиста за всякакви промени в телесното тегло и/или нивото на мобилност.

Ако изделието се използва за високо натоварване, степента на поддръжка и интервалът за поддръжка трябва да бъдат преразгледани и, ако е необходимо, да се потърси консултация и техническо съдействие за планиране на нов график на поддръжка, в зависимост от честотата и естеството на натоварването. Това трябва да се определи чрез индивидуална оценка на риска, извършена от лице с подходяща квалификация.

6 Ограничения в употребата

Срок на експлоатация

Необходимо е извършване на индивидуална оценка на риска въз основа на мобилността и употребата.

Повдигане на тежести

Ограниченията зависят от теглото на потребителя и неговото ниво на мобилност.

Носенето на тежести от потребителя трябва да бъде според индивидуалната оценка на риска.

Околна среда

Настоящото изделие е водоустойчиво до максимална дълбочина от 1 метър. Изплакнете добре с питейна вода след употреба в абразивна среда, като например среда, съдържаща пясък или прах, за да предотвратите износване или повреда на движещите се части.

Изплакнете добре с питейна вода след употреба в солена или хлорирана вода.

Изделието може да се използва само при температура между -15 °C и 50 °C.

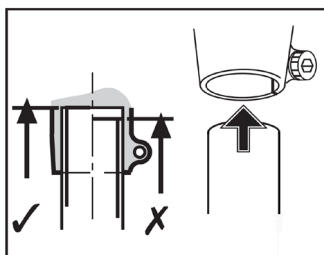
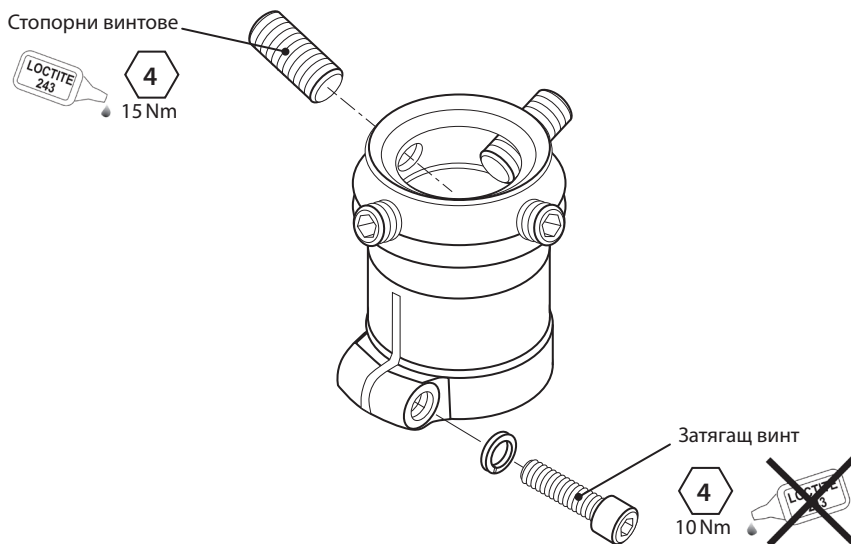


Подходящо за потопяване под вода

7 Съвети относно монтажа

Инструкциите в този раздел са предназначени само за медицинско лице/ протезист.

Поставете възможно най-плътно до линията на конструкцията.



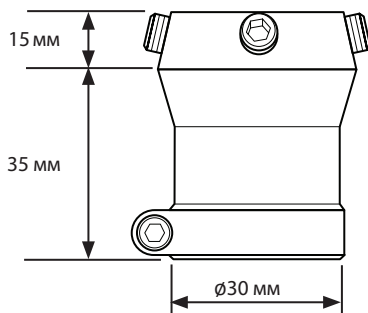
Признак	Решение
На местата на свързване на изделието се появява повтарящ се шум.	Проверете дали всички винтове за центроване и скобата на тръбата са здраво закрепени. Нанесете Loctite, ако е необходимо, и затегнете до правилните настройки на силата на затягане. Уверете се, че контактните повърхности са чисти и че краят на тръбата е равно изрязан.
Адаптерът се измества от позицията си.	Потребителят не трябва да използва изделието, докато не бъде регулирано, ремонтирано или заменено.

8 Технически данни

Температурен диапазон на експлоатация и съхранение:	-15 °C до 50 °C
Тегло на елемента:	92 г
Ниво на мобилност:	1–4
Максимално тегло на потребителя:	145 кг/1–4 150 кг/1–3
Тип закрепване:	Проксимално – обхващаща пирамида (Blatchford) Дистално – тръба с диаметър 30 мм
Диапазон на регулиране:	360° осово завъртане ±7° наклон от вертикала
Дължина:	15 мм (50 мм)

Монтажна дължина

Изделието е с фиксирана дължина.



Съхранение и използване

При съхраняване за продължителни периоди се уверете, че по продукта няма влага и се съхранява на стайна температура.

9 Информация за поръчка

Изделие	Каталожен номер
Адаптер – скоба за тръба с $\varnothing 30$ мм с обхващаща пирамида	АК30М1

Отговорност

Производителят препоръчва изделието да се използва само при посочените условия и по предназначение. Изделието трябва да се поддържа в съответствие с инструкциите за употреба, предоставени с него. Производителят не носи отговорност за неблагоприятни събития, причинени от комбинации от елементи, които не са одобрени от него.

Маркировка за съответствие СЕ

Този продукт отговаря на изискванията на Регламент (ЕС) 2017/745 за медицинските изделия. Този продукт е класифициран като продукт от клас I според правилата за класификация, описани в Приложение VIII на регламента. ЕС декларацията за съответствие е достъпна на следния интернет адрес: www.blatchford.co.uk



Медицинско изделие



Предназначено за многократна употреба от един пациент

Съвместимост

Комбинирането с продукти на Blatchford е одобрено въз основа на изпитвания в съответствие с приложимите стандарти и Регламент (ЕС) 2017/745 за медицинските изделия, включително изпитване на конструкцията, съвместимост относно размерите и проследяване на функционалността в реални условия.

Комбинирането с други продукти с маркировка СЕ трябва да се извършва с оглед на документираната индивидуална оценка на риска, извършена от специалист.

Гаранция

Гаранцията на това изделие е 24 месеца.

Потребителят трябва да е наясно, че промени или модификации, които не са изрично одобрени, биха могли да доведат до анулиране на гаранцията, лицензите за работа и изключенията.

Вижте уебсайта на Blatchford за актуалната пълна декларация за гаранция.

Докладване на сериозни инциденти

В малко вероятния случай на сериозен инцидент, свързан с настоящото изделие, инцидентът трябва да се докладва на производителя и на компетентния национален орган.

Екологични аспекти

Този продукт е изработен от материал, подлежащ на рециклиране. Когато е възможно, елементите му трябва да се рециклират в съответствие с местните разпоредби за управление на отпадъците.

Запазване на етикета на опаковката

Препоръчва се медицинското лице/протезистът да запази етикета на опаковката като документ за доставеното изделие.

Потвърждение за търговска марка

Blatchford е регистрирана търговска марка на Blatchford Products Limited.

Адрес на управление на производителя

Blatchford Products Limited, Lister Road, Basingstoke RG22 4AH, Обединено кралство.

Sadržaj.....	29
1 Opis i predviđena namjena	30
2 Informacije o sigurnosti	31
3 Izvedba.....	32
4 Funkcija.....	32
5 Održavanje.....	33
6 Ograničenja uporabe.....	34
7 Savjeti za prilagođavanje	35
8 Tehnički podaci	36
9 Informacije za naručivanje.....	36

1 Opis i predviđena namjena

Ove upute za uporabu namijenjene su zdravstvenim djelatnicima i korisnicima osim ako nije drukčije navedeno.

Izraz *proizvod* odnosi se na cijevnu stezaljku $\varnothing 30$ mm prilagodnika s ženskim piramidnim dijelom.

Molimo s razumijevanjem pročitajte ove upute, posebno sve informacije o sigurnosti i upute o održavanju.

Primjena

Ovaj se proizvod smije upotrebljavati isključivo za opskrbu protezom donjeg ekstremiteta, namijenjen je za jednog korisnika.

Proizvod je namijenjen sigurnom spajanju cijevi $\varnothing 30$ mm na muški piramidni dio Blatchford i omogućava prilagodbu nagiba i rotacije.

Značajke

- Lagana, čvrsta, titanijska konstrukcija

Stupanj aktivnosti

Ovaj proizvod prikladan je za stupnjeve aktivnosti 1-4 (uz ograničenja težine, pogledajte *Tehnički podaci*). Naravno, postoje iznimke, i u svojim preporukama trudimo se uzeti u obzir jedinstvene, individualne okolnosti te svako donošenje odluka mora biti razumno i detaljno obrazloženo.

Stupanj aktivnosti 1

Može upotrebljavati ili postoji potencijal upotrebljavanja proteze za transfer ili kretanje na ravnim površinama ujednačenim tempom. Karakteristično za osobu ograničene i neograničene sposobnosti hoda u stambenom prostoru.

Stupanj aktivnosti 2

Može hodati ili postoji potencijal za hod uz sposobnost prelazjenja manjih prepreka u okruženju, poput rubnika, stuba ili neravnih površina. Karakteristično za ograničene sposobnosti hoda u vanjskom okruženju.

Stupanj aktivnosti 3

Može hodati ili postoji potencijal za hod promjenjivim tempom. Karakteristično za osobu sa sposobnošću hoda u vanjskom okruženju koja može prelaziti većinu prepreka u okruženju i bavi se radnim, terapijskim ili rekreacijskim aktivnostima koje zahtijevaju složeniju uporabu proteze koja nadilazi jednostavne oblike kretanja.

Stupanj aktivnosti 4

Može hodati ili postoji potencijal za hod s protezom koji nadilazi osnovne sposobnosti kretanja, a pokazuje značajnu razinu upora, izdržljivosti i energije. Karakteristično za protetičke potrebe djece, aktivnih odraslih osoba ili sportaša.

Kontraindikacije

Nisu poznate kontraindikacije ako se upotrebljava u skladu s ovim uputama.

Kliničke prednosti

- Omogućava spoj stupne cijevi s ostalim protetičkim dijelovima.

2 Informacije o sigurnosti



Ova oznaka upozorenja naglašava važne informacije o sigurnosti kojih se potrebno pažljivo pridržavati.



Bilo kakve promjene u funkcionalnosti ili radu ekstremiteta, npr. prevelika zračnost ili neobični zvukovi, moraju se odmah prijaviti pružatelju usluge.



Uvijek upotrebljavajte rukohvat prilikom silaženja niza stube i u svim ostalim prilikama ako je dostupno.



Proizvod je namijenjen produljenom potapanju i prikladan samo za uranjanje u slatku vodu. Osigurajte da je uporaba proizvoda u vodi u skladu s uvjetima navedenim u odjeljku *Ograničenja uporabe*.



Korisnik ne smije prilagođavati ili preinačavati proizvod.



Korisnika se upućuje da o svakoj promjeni svog stanja obavijesti zdravstvenog djelatnika.



Kako biste smanjili rizik od ozljede zbog zakazivanja ili olabavljenja vijčanog spoja, osigurajte da se vijčani navoji dobro očiste prije svakog postavljanja.



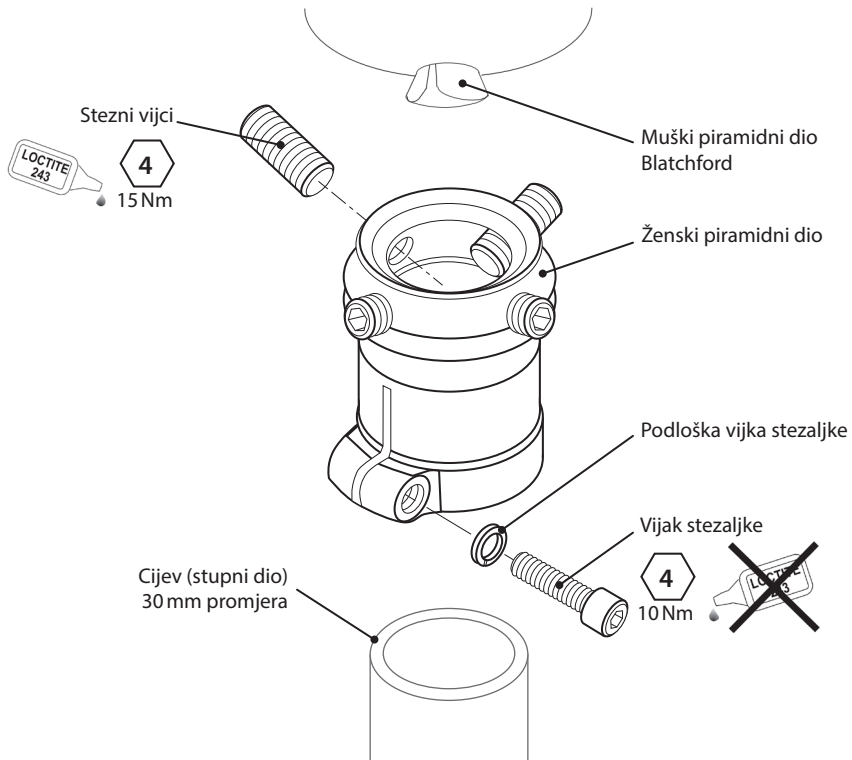
Uvijek primijenite navedenu vrijednost okretnog momenta na vijke.

3 Izvedba

Glavni dijelovi

- Ženski piramidni dio Titanij
- Vijak stezaljke Platirani čelik
- Podloška vijka stezaljke Platirani čelik
- Stezni vijci Platirani čelik (x4)

Prikaz komponenti



4 Funkcija

Ovaj proizvod omogućava korisniku prilagođeno poravnavanje ekstremiteta i prilagodbu nagiba i rotacije. Kad su stezni vijci sigurno zategnuti, pomoću ljepila Loctite 243, ovaj proizvod omogućava siguran način spajanja cijevi 30 mm promjera i muškog piramidnog prilagodnika.

5 Održavanje

Redovito vizualno pregledavajte proizvod.

Bilo kakve promjene u funkcionalnosti ovog proizvoda prijavite zdravstvenom djelatniku/pružatelju usluge, npr. neobične zvukove ili značajnu dotrajalost.

Obavijestite zdravstvenog djelatnika/pružatelja usluge o svim promjenama u tjelesnoj težini i/ili stupnju aktivnosti.

Čišćenje

Vanjske površine čistite vlažnom krpom i blagim sapunom. NE UPOTREBLJAVAJTE agresivna sredstva za čišćenje.

Ostale upute u ovom odjeljku namijenjene su samo zdravstvenom djelatniku.

Ovo održavanje smije izvoditi samo kvalificirano osoblje (zdravstveni djelatnik ili odgovarajuće osposobljeni tehničar).

Sljedeće rutinsko održavanje potrebno je izvoditi najmanje jedanput godišnje:

- Provjerite zategnutost cijevi. Ako je olabavljena, skinite ju, očistite i ponovno namjestite.
- Provjerite zategnutost steznih vijaka. Ako su olabavljeni, odvijte ih i očistite, zatim nanesite Loctite 243 i zategnite na ispravnu postavku okretnog momenta, pogledajte odjeljak *Izvedba*.
- Provjerite nedostatke koji bi mogli utjecati na pravilno funkcioniranje.

Osigurajte da je korisnik pročitao i shvatio sve informacije o sigurnosti i održavanju na korisničkoj razini.

Korisniku preporučite da redovito vizualno pregledava proizvod i da znakove dotrajalosti koji bi mogli utjecati na funkcionalnost obavezno prijavi svom pružatelju usluga.

Korisniku preporučite da obavijesti zdravstvenog djelatnika/pružatelja usluge o svim promjenama tjelesne težine i/ili stupnja aktivnosti.

Ako se proizvod upotrebljava za ekstremnu aktivnost, opseg i raspored održavanja potrebno je analizirati i, po potrebi, zatražiti savjet i tehničku podršku radi planiranja novog rasporeda održavanja ovisno o učestalosti i prirodi aktivnosti. To je potrebno odrediti procjenom rizika na licu mjesta od strane odgovarajuće kvalificirane osobe.

6 Ograničenja uporabe

Predviđen rok trajanja

Lokalnu procjenu rizika potrebno je izvršiti na temelju aktivnosti i uporabe.

Podizanje tereta

Tjelesna težina korisnika i aktivnosti podliježu navedenim ograničenjima.

Teret koji korisnik smije nositi mora se odrediti lokalnom procjenom rizika.

Okruženje

Ovaj je proizvod voodootporan do maksimalno 1 m dubine. Temeljito isperite pitkom vodom nakon uporabe u abrazivnim okruženjima, npr. s pijeskom ili srhom, kako biste spriječili habanje ili oštećenja pokretnih dijelova. Temeljito isperite pitkom vodom nakon uporabe u slanoj ili kloriranoj vodi.

Isključivo za uporabu na temperaturi od -15 °C do 50 °C.

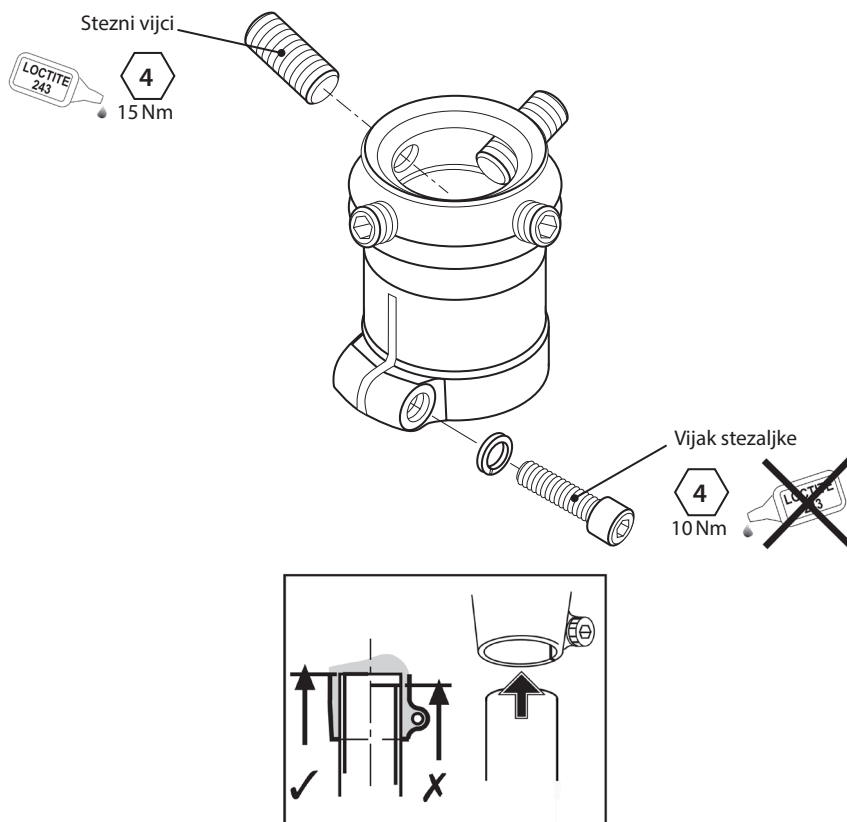


Prikladno za potapanje

7 Savjeti za prilagođavanje

Upute u ovom odjeljku namijenjene su samo zdravstvenom djelatniku.

Postavite što je bliže moguće liniji ugradnje.



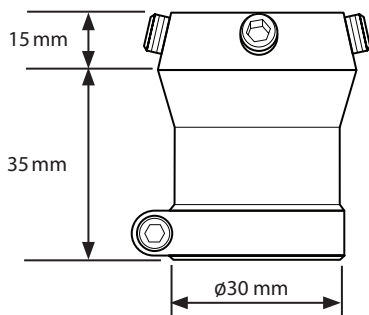
Simptom	Rješenje
Javlja se ponavljajući zvuk kod sučelja proizvoda.	Provjerite sigurnost svih vijaka za poravnavanje i cijevne stezaljke. Nanesite ljepilo Loctite prema potrebi i zategnite na ispravnu postavku okretnog momenta. Osigurajte da su spojne površine čiste i da je kraj cijevi odrezan pravokutno.
Prilagodnik se pomaknuo s mjesta.	Korisnik ne smije upotrebljavati proizvod do prilagođavanja, popravka ili zamjene.

8 Tehnički podaci

Radni i temperaturni raspon skladištenja:	-15 °C do 50 °C
Težina komponente:	92 g
Stupanj aktivnosti:	1–4
Maksimalna tjelesna težina korisnika:	145 kg /1–4 150 kg /1–3
Tip priključka:	Proksimalni—ženski piramidni dio (Blatchford) Distalni—cijev promjera 30 mm
Raspon prilagodbe:	Oсно zakretanje od 360 ° Nagib na ravninu $\pm 7^\circ$
Duljina:	15 mm (50 mm)

Duljina prilagođavanja

Proizvod je fiksne duljine.



Pohrana i rukovanje

Kada pohranjujete na dulja razdoblja, osigurajte da proizvod ne bude izložen vlazi i da je pohranjen na sobnoj temperaturi.

9 Informacije za naručivanje

Proizvod	Broj dijela
$\varnothing 30$ mm prilagodnik cijevne stezaljke sa ženskim piramidnim dijelom	AK30M1

Odgovornost

Proizvođač preporučuje uporabu proizvoda u skladu s navedenim uvjetima i za predviđene namjene. Proizvod mora biti održavan u skladu s uputama za uporabu isporučenim uz proizvod. Proizvođač nije odgovoran ni za kakve neželjene ishode uzrokovane kombiniranjem komponenti koje nije odobrio.

CE sukladnost

Ovaj proizvod ispunjava zahtjeve Uredbe (EU) 2017/745 o medicinskim proizvodima. Ovaj proizvod razvrstan je kao proizvod klase rizika I prema kriterijima razvrstavanja navedenima u Dodatku VIII. Uredbe. Certifikat EU Izjava o sukladnosti dostupan je na sljedećoj internetskoj stranici: www.blatchford.co.uk



Medicinski proizvod



Jedan korisnik - višestruka uporaba

Kompatibilnost

Kombiniranje s proizvodima marke Blatchford odobrava se na temelju ispitivanja u skladu s primjenjivim normama i Uredbom o medicinskim proizvodima (MDR) uključujući ispitivanje strukture, usklađenost dimenzija i nadziranu radnu učinkovitost.

Kombiniranje s alternativnim proizvodima s oznakom CE mora se provesti uz dokumentiranu lokalnu procjenu rizika od strane zdravstvenog djelatnika.

Jamstvo

Na ovaj proizvod daje se jamstvo od 24 mjeseca.

Korisnik mora biti svjestan da promjene ili preinake koje nisu izričito dopuštene mogu poništiti jamstvo, odobrenja za rad i izuzeća.

Pogledajte internetsku stranicu tvrtke Blatchford za uvid u cjelovitu važeću izjavu o jamstvu.

Prijavljivanje ozbiljnih neželjenih događaja

U malo vjerojatnom slučaju pojave ozbiljnog neželjenog događaja vezanog uz ovaj proizvod, potrebno je isti prijaviti proizvođaču i nadležnom državnom tijelu.

Ekološki aspekti

Ovaj proizvod proizveden je od materijala koji se mogu reciklirati. Gdje je izvedivo, komponente je potrebno reciklirati u skladu s lokalnim propisima o zbrinjavanju otpada.

Čuvanje oznake pakiranja

Zdravstveni djelatnik treba sačuvati oznaku pakiranja kao evidenciju isporučenog proizvoda.

Izjave o žigu

Blatchford je registrirani žig tvrtke Blatchford Products Limited.

Adresa sjedišta proizvođača

Blatchford Products Limited, Lister Road, Basingstoke RG22 4AH, UK.

Obsah	38
1 Opis a zamýšľaný účel	39
2 Informácie o bezpečnosti.....	40
3 Konštrukcia.....	41
4 Funkcia.....	41
5 Údržba.....	42
6 Obmedzenie používania	43
7 Odporúčania pri osádzaní.....	44
8 Technické údaje.....	45
9 Informácie pri objednávaní.....	45

1 Opis a zamýšľaný účel

Návod na použitie je určený odborníkovi a používateľovi, ak nie je uvedené inak.

Tu používaný termín *pomôcka* označuje redukciu samičej pyramídy s objímkou na 30 mm rúrku

Pozorne si prečítajte tento návod, predovšetkým všetky informácie o bezpečnosti a návod na údržbu.

Použitie

Pomôcka sa smie používať výhradne pri osádzaní protézy dolnej končatiny určenej jednému používateľovi.

Pomôcka bezpečne pripája rúrku s \varnothing 30 mm k samičej pyramíde Blatchford a umožňuje nastavenie uhla a rotácie.

Vlastnosti

- Ľahká, pevná titánová konštrukcia

Úroveň aktivity

Pomôcka je vhodná pre úrovne aktivity 1 – 4 (platia hmotnostné obmedzenia, pozri *Technické údaje*). Samozrejme, existujú výnimky, a pri odporúčaní chceme zohľadniť individuálne okolnosti. Rozhodovať sa treba na základe rozumného a dôkladného odôvodnenia.

Úroveň aktivity 1

Má schopnosť alebo potenciál používať protézu na presun alebo chôdzu na rovnom povrchu pri fixnej kadencii. Typická pre chodca v domácnosti s obmedzením alebo bez obmedzenia.

Úroveň aktivity 2

Má schopnosť alebo potenciál chôdze so schopnosťou prechádzať cez nízke prekážky v okolitom prostredí, ako sú obrubníky, schody alebo nerovný povrch. Typická pre komunitného chodca s obmedzením.

Úroveň aktivity 3

Má schopnosť a potenciál chôdze s rozličnou kadenciou. Typická pre komunitného chodca so schopnosťou prechádzať cez väčšinu prekážok v okolitom prostredí, ktorý môže vykonávať pracovnú, terapeutickú alebo cvičebnú aktivitu vyžadujúci si používanie protézy mimo jednoduchého pohybu.

Úroveň aktivity 4

Má schopnosť alebo potenciál protetickej chôdze, ktorá prekračuje základné ambulantné zručnosti, má veľkú mieru dopadu, tlaku alebo energie. Typická pre protetické nároky detí, aktívnych dospelých alebo atlétov.

Kontraindikácie

Ak sa používa v súlade s návodom, neexistujú známe kontraindikácie.

Klinické výhody

- Spája píštalú s ďalším protetickým prvkom.

2 Informácie o bezpečnosti



Tento výstražný symbol poukazuje na dôležité bezpečnostné informácie, ktoré treba dôsledne dodržiavať.



Všetky zmeny vo vlastnostiach alebo fungovaní končatiny, napr. nadmerná voľnosť alebo nezvyčajné zvuky, treba ihneď nahlásiť servisnému pracovníkovi.



Pri kráčaní dolu schodmi a vždy, keď je k dispozícii, sa držte zábradlia.



Pomôcka je určená na dlhodobé ponáranie a je vhodná len na ponáranie v sladkej vode. Dbajte na to, aby bolo použitie pomôcky vo vode v súlade s podmienkami uvedenými v časti *Obmedzenie používania*.



Používateľ nesmie nastavovať ani neodborne upravovať nastavenie pomôcky.



Používateľa upozornili, že v prípade zmeny zdravotného stavu sa má obrátiť odborníka.



V rámci predchádzania riziku poranenia v dôsledku zlyhania alebo uvoľnenia skrutkových spojov dbajte na to, aby sa pred každou montážou dôkladne vyčistili závit.



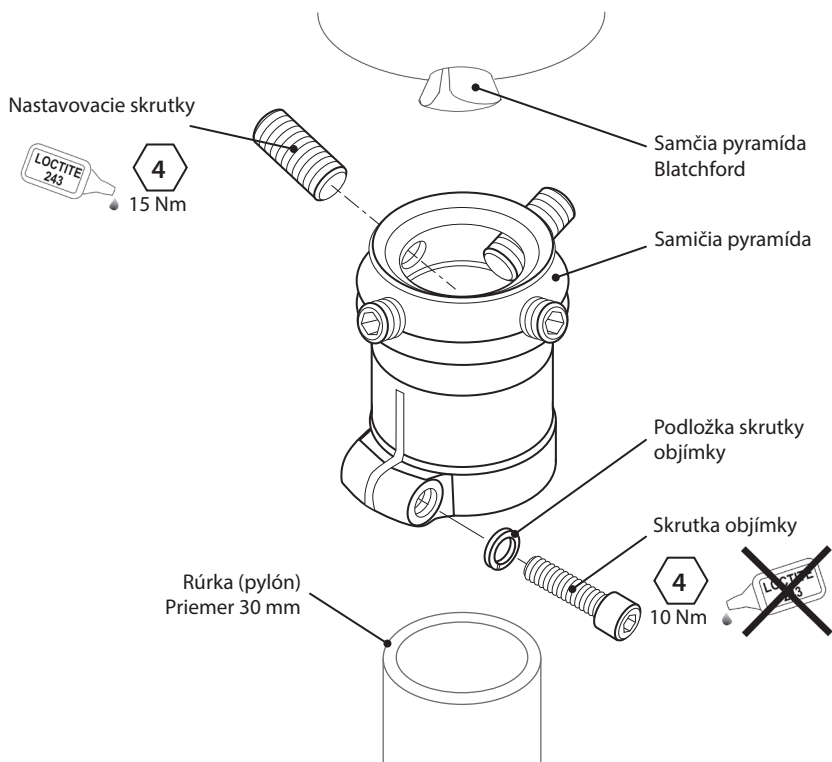
Skrutky vždy dotahujte na špecifikovaný krútiaci moment.

3 Konštrukcia

Hlavné diely

- | | |
|----------------------------|------------------------|
| • Samičia pyramída | Titán |
| • Skrutka objímky | Pokovovaná oceľ |
| • Podložka skrutky objímky | Pokovovaná oceľ |
| • Nastavovacie skrutky | Pokovovaná oceľ (4 ks) |

Identifikácia dielu



4 Funkcia

Pomôcka umožňuje nastavenie uhla a rotácie a zarovnáva končatinu na mieru tak, aby vyhovovala osobe po amputácii. Po bezpečnom dotiahnutí nastavovacích skrutiek a použití Loctite 243 vytvára bezpečné spojenie rúrky s priemerom 30 mm a redukcie samčej pyramídy.

5 Údržba

Pomôcku pravidelne kontrolujte zrakom.

Všetky zmeny vo vlastnostiach pomôcky nahláste technikovi/servisnému pracovníkovi, napr. nezvyčajné zvuky alebo značné opotrebovanie.

Informujte odborníka/servisného pracovníka o zmene v telesnej hmotnosti a/alebo úrovni aktivity.

Čistenie

Vonkajší povrch utrite handričkou navlhčenou vo vode s jemným čistiacim prostriedkom. NEPOUŽÍVAJTE agresívne čistiace prostriedky.

Zvyšné pokyny v tejto časti sú len pre odborníka.

Údržbu smie zabezpečovať len kompetentný personál (odborník alebo vhodne zaškolený technik).

Najmenej raz ročne je potrebné absolvovať nasledujúcu rutinnú údržbu:

- Skontrolujte, či je rúrka tesne osadená. Ak je uvoľnená, vyberte ju, vyčistite a znovu osadte.
- Skontrolujte dotiahnutie nastavovacích skrutiek. Ak sa uvoľnili, vyberte ich a vyčistite, potom naneste Loctite 243 a dotiahnite ich na správny krútiaci moment, pozri časť *Konštrukcia*.
- Overte, či na pomôcke nie sú poškodenia, ktoré by mohli ovplyvniť jej riadne fungovanie.

Overte si, či si používateľ prečítal a rozumie všetkým informáciám o bezpečnosti a údržbe na úrovni používateľa.

Informujte používateľa, že sa odporúča pravidelná kontrola pomôcky zrakom a znaky opotrebovania, ktoré by mohli mať vplyv na jej funkčnosť, treba hlásiť servisnému pracovníkovi.

Poučte používateľa, aby informoval odborníka/servisného pracovníka o zmene v telesnej hmotnosti a/alebo úrovni aktivity.

Ak sa pomôcka používa pri extrémnych aktivitách, úroveň a interval údržby treba prehodnotiť a v prípade potreby má poradné a technické oddelenie naplánovať nový harmonogram údržby v závislosti od frekvencie a povahy činnosti. Na základe posúdenia lokálneho rizika by to mala stanoviť primerane kvalifikovaná osoba.

6 Obmedzenie používania

Zamýšľaná životnosť

Na základe aktivity a používania treba posúdiť lokálne riziko.

Zdvíhanie bremien

Hmotnosť a aktivita používateľa sa riadi stanovenými limitmi.

Nosenie bremien používateľom by malo vychádzať z posúdenia lokálnych rizík.

Prostredie

Pomôcka je vodotesná do maximálnej hĺbky 1 meter. Po používaní v abrazívnom prostredí, ako je napríklad prostredie s možným obsahom piesku alebo kamienkov pomôcku dôkladne opláchnite vodou, aby sa predišlo opotrebovaniu alebo poškodeniu pohyblivých častí. Po použití v slanej alebo chlóranej vode pomôcku dôkladne opláchnite vodou.

Používajte výhradne pri teplote od -15 °C až 50 °C.

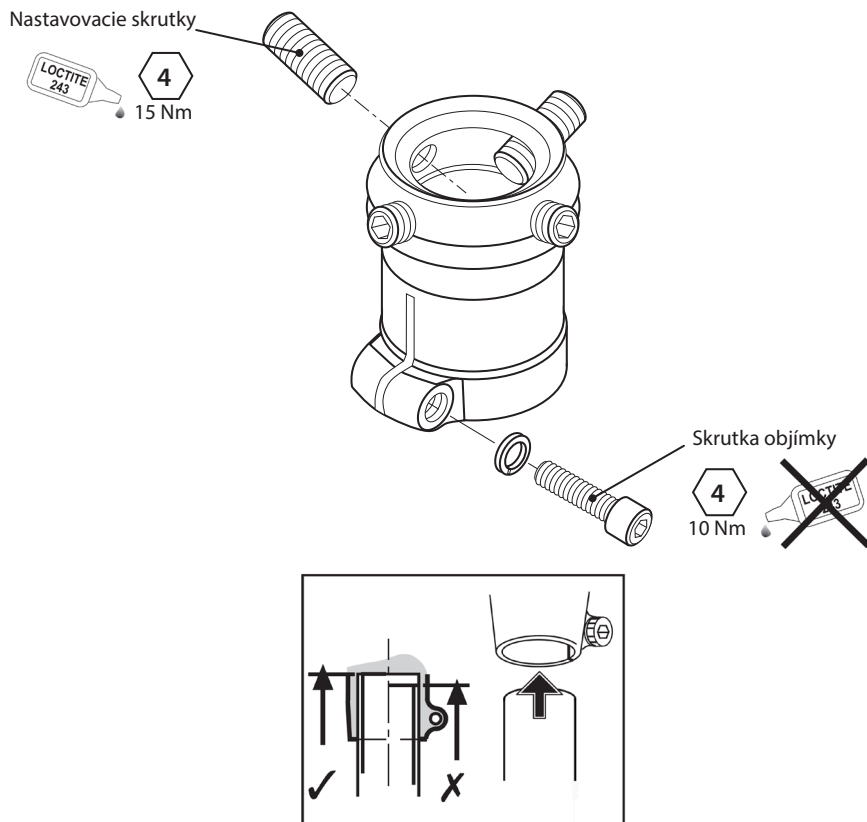


Možno ponárať

7 Odporúčania pri osádzaní

Pokyny v tejto časti sú len pre odborníkov.

Priložte čo najbližšie k línii konštrukcie pri zohľadnení praktickosti.



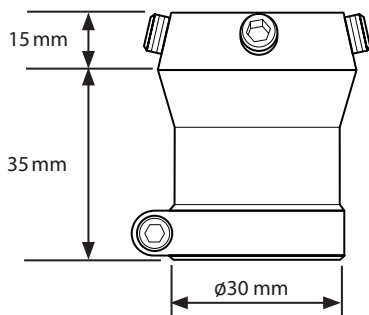
Príznak	Riešenie
Medzi rozhraniami pomôcky sa opakovane ozýva zvuk.	Skontrolujte bezpečnosť všetkých zarovnávacích skrutiek a rúrkovej objímky. Podľa potreby naneste Loctite a dotiahnite na správny ťahovací moment. Dbajte na to, aby boli styčné plochy čisté a koniec rúrky zrezaný kolmo.
Redukcia sa vysúva.	Používateľ nesmie používať pomôcku, kým nebude nastavená, opravená alebo vymenená.

8 Technické údaje

Rozsah prevádzkovej a skladovacej teploty:	-15 °C až 50 °C
Hmotnosť dielov:	92g
Úroveň aktivity	1 – 4
Maximálna hmotnosť používateľa:	145 kg/1 – 4 150 kg/1 – 3
Typ pripojenia:	Proximálny – samičia pyramída (Blatchford) Distálne – rúrka s priemerom 30 mm
Nastavovací rozsah:	Axiálna rotácia o 360° Náklon $\pm 7^\circ$ od vertikálnej roviny
Dĺžka:	15 mm (50 mm)

Dĺžka osadenia

Pomôcka má fixnú dĺžku.



Skladovanie a manipulácia

Pri dlhodobom skladovaní dbajte na to, aby produkt nebol vlhký, a uchovávajte ho pri izbovej teplote.

9 Informácie pri objednávaní

Pomôcka	Číslo dielu
Redukcia samičej pyramídy s objímkou na rúrku s $\varnothing 30$ mm	AK30M1

Ručenie

Výrobca odporúča používať pomôcku výhradne podľa špecifikovaných podmienok a na to, na čo je určená. Pomôcka sa musí udržiavať podľa priloženého návodu na použitie. Výrobca nezodpovedá za nežiaduci výsledok spôsobený kombináciou ním neschválených komponentov.

Súlada s CE

Tento produkt spĺňa požiadavky nariadenia EÚ 2017/745 o zdravotníckych pomôckach. Produkt je klasifikovaný ako produkt triedy I podľa klasifikačných pravidiel v Dodatku VIII nariadenia. Certifikát o vyhlásení o zhode CE je k dispozícii na nasledujúcej internetovej adrese: www.blatchford.co.uk



Zdravotnícka pomôcka



Jeden pacient – viacnásobné použitie

Kompatibilitnosť

Kombinovanie s produktmi značky Blatchford je schválené na základe testovania v súlade s príslušnými normami a MDR vrátane štrukturálnej skúšky, rozmerovej kompatibility a vlastností v monitorovanej oblasti.

Kombinovanie s alternatívnymi produktmi so značkou CE treba vykonávať s ohľadom na zdokumentované posúdenie lokálnych rizík odborníkom.

Záruka

Na pomôcku sa vzťahuje 24-mesačná záruka.

Používateľ by mal vedieť, že zmeny alebo úpravy bez jeho výhradného súhlasu by mohli ukončiť platnosť záruky, prevádzkových licencií a výnimiek.

Celé vyhlásenie o záruke nájdete na webovej stránke spoločnosti Blatchford.

Nahlasovanie závažných incidentov

V nepravdepodobnom prípade závažného incidentu v súvislosti s pomôckou ho treba nahlásiť výrobcovi a kompetentnému štátnemu úradu.

Environmentálne aspekty

Produkt je vyrobený z recyklovateľných materiálov. Tam, kde je to možné, by sa jednotlivé diely mali recyklovať v súlade s miestnymi nariadeniami o nakladaní s odpadom.

Odloženie štítka na balení

Odborníkovi odporúčame odložiť si štítky z balenia ako záznam o dodanej pomôčke.

Potvrdenie o obchodnej známke

Blatchford je registrovaná obchodná známka spoločnosti Blatchford Products Limited.

Sídlo výrobcu

Blatchford Products Limited, Lister Road, Basingstoke RG22 4AH, Spojené kráľovstvo.

Tartalom.....	47
1 Leírás és tervezett felhasználás	48
2 Biztonsági információk.....	49
3 Felépítés	50
4 Működés.....	50
5 Karbantartás.....	51
6 A használatot érintő korlátozások.....	52
7 Az illesztésre vonatkozó tanácsok.....	53
8 Műszaki adatok	54
9 Rendelési információk.....	54

1 Leírás és tervezett felhasználás

Ez a Használati útmutató az orvos és a felhasználó használatára szolgál, kivéve, ha máshogy jelezzük.

A dokumentumban használt eszköz kifejezés a csatlakozóhüvelyes piramissal ellátott $\varnothing 30$ mm-es csőbilincsadapterre utal.

Kérjük, olvassa el, és győződjön meg arról, hogy megértette a teljes útmutatót, különösen az összes biztonsági információt és karbantartási utasítást.

Alkalmazás

Ez az eszköz kizárólag alsó végtagprotézis illesztéseként alkalmazható, és egy felhasználónál való használatra szolgál.

Az eszköz az $\varnothing 30$ mm cső Blatchford csatlakozódugós piramishoz való biztonságos csatlakoztatására szolgál. Szöveget bezáró és forgatásos beállítást tesz lehetővé.

Jellemzők

- Könnyű, erős, titán konstrukció

Aktivítási szint

Ez az eszköz megfelel az 1–4. aktivítási szintnek (testsúlykorlátozás érvényes, lásd *Műszaki adatok*). Természetesen vannak kivételek, és ajánlásainkban lehetőséget kívánunk adni az egyedi, egyéni körülményeknek, és minden ilyen döntést józan és alapos indoklással kell meghozni.

1. aktivítási szint

Képesség vagy lehetőség a protézis alkalmazására sík felületeken állandó ütemben való átkelésre vagy járásra. Jellemző a korlátozott vagy nem korlátozott, beltérben mozgó járóbetegre.

2. aktivítási szint

Képesség vagy lehetőség járásra, alacsony magasságú környezeti akadályokon, például útpadkán, lépcsőn vagy egyenetlen felületeken való áthaladásra. Jellemző a korlátozott, közösségben mozgó járóbetegre.

3. aktivítási szint

Képesség vagy lehetőség változó ütemű járásra. Jellemző a közösségben mozgó járóbetegre, aki képes áthaladni a legtöbb környezeti akadályon, és olyan foglalkozásbeli, terápiás vagy sporttevékenységet űz, amely az egyszerű helyváltoztatáson túl igényli a protézis használatát.

4. aktivítási szint

Képesség vagy lehetőség protézissel végzett olyan járásra, amely túllép az alapvető járási képességeken, erős behatást, nagy terhelést vagy energiaszintet mutat. A gyermekek, az aktív felnőttek vagy a sportolók protetikus igényeire jellemző.

Ellenjavallatok

Ha a jelen útmutató szerint használják, nincsenek ismert ellenjavallatok.

Klinikai előnyök

- Lehetővé teszi sípcsontcső csatlakoztatását más protéziskomponensekhez.

2 Biztonsági információk



Ez a figyelmeztető szimbólum kiemeli a fontos biztonsági információkat, amelyeket gondosan követni kell.



A végtag teljesítményében vagy működésében jelentkező bármilyen változást, például túl nagy holtjátékot vagy szokatlan hangokat azonnal jelenteni kell a szolgáltatónak.



Lépcsőn lefelé menet és bármikor, amikor rendelkezésre áll, használjon korlátot.



Az eszköz hosszan tartó vízbe merítésre készült, és csak édesvízbe merítésre alkalmas. Ügyeljen arra, hogy az eszköz használata vízben megfeleljen az *A használatot érintő korlátozások* szakaszban megadott feltételeknek.



A felhasználónak tilos módosítania vagy manipulálnia az eszköz beállításait.



Javasoljuk, hogy a felhasználó forduljon az orvoshoz, ha állapota változik.



A meghibásodás vagy a csavarcsatlakozások meglazulása okozta sérülésveszély csökkentése érdekében minden egyes beszerelés előtt győződjön meg arról, hogy a menetek alaposan meg vannak tisztítva.



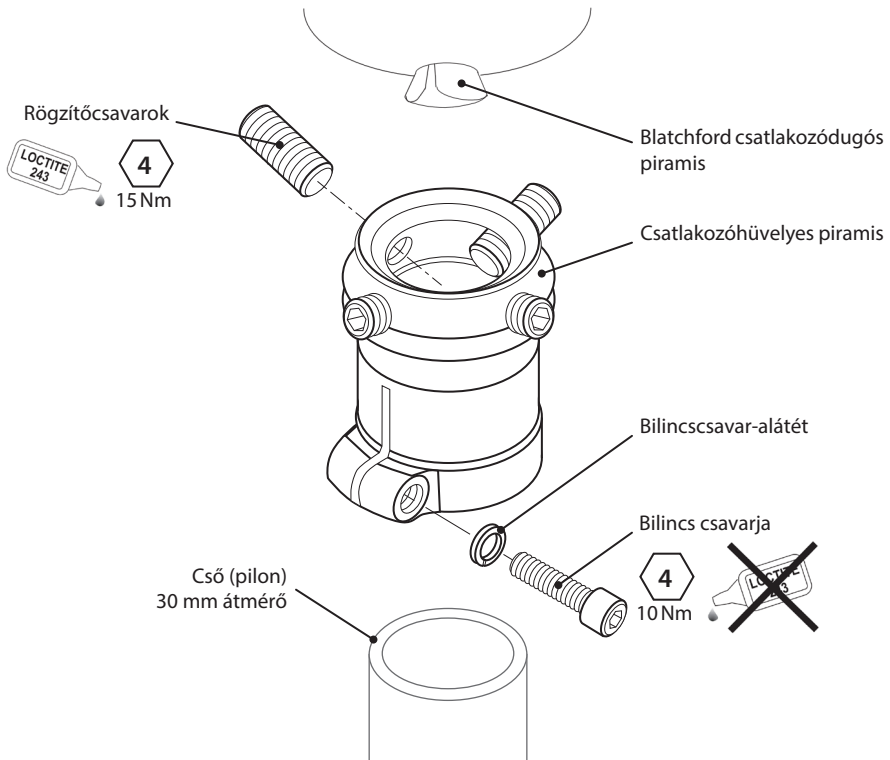
Mindig a meghatározott forgatónyomaték-értéket használja a csavarokhoz.

3 Felépítés

Fő alkatrészek

- Csatlakozóhüvelyes piramis titán
- Bilincscsavar galvanizált acél
- Bilincscsavar-alátét galvanizált acél
- Rögzítőcsavarok galvanizált acél (x4)

Az alkatrészek azonosítása



4 Működés

Ez az eszköz szöveget bezáró és forgatásos beállítást tesz lehetővé, személyre szabott végtagillesztést biztosítva, amely megfelel az amputált betegeknek. Ha a rögzítőcsavarokat erősen megszorítják Loctite 243 menetrögzítő használata mellett, az eszköz biztonságosan csatlakoztat egymáshoz egy 30 mm átmérőjű csövet és egy csatlakozódugós piramisadaptert.

5 Karbantartás

Szemrevételezéssel rendszeresen ellenőrizze az eszközt.

Az eszköz teljesítményének minden változását, például a szokatlan zajokat vagy a jelentős elhasználódást jelentse az orvosnak/szolgáltatónak.

Tájékoztassa az orvost/szolgáltatót testsúlya és/vagy aktivitási szintje bármilyen változásáról.

Tisztítás

Nedves ruhával és enyhe szappanos vízzel tisztítsa meg a külső felületeket. NE használjon agresszív tisztítószeret.

A további utasítások ebben a szakaszban kizárólag az orvos használatára szolgálnak.

A karbantartást kizárólag hozzáértő személy végezheti (orvos vagy megfelelően képzett technikus).

A következő rutin karbantartást legalább évente el kell végezni:

- Ellenőrizze a cső szorosságát. Ha laza, távolítsa el, tisztítsa meg és illessze újra.
- Ellenőrizze a rögzítőcsavarok szorosságát. Ha laza, távolítsa el és tisztítsa meg, majd alkalmazzon Loctite 243 csavarrögzítőt, és szorítsa meg a megfelelő forgatónyomatékra, lásd *Felépítés* szakasz.
- Ellenőrizze a hibákat, amelyek befolyásolhatják a megfelelő működést.

Győződjön meg arról, hogy a felhasználó elolvasta és megértette az összes biztonsági és felhasználói szintű karbantartásra vonatkozó információt.

Tájékoztassa a felhasználót, hogy az eszköz szemrevételezéssel történő, rendszeres ellenőrzése javasolt, és a működést esetleg befolyásoló elhasználódás jeleit jelenteni kell a szolgáltatónak.

Tanácsolja a felhasználónak, hogy tájékoztassa az orvost/szolgáltatót testsúlya és/vagy aktivitási szintje bármilyen változásáról.

Ha ezt az eszközt extrém aktivitásra használják, felül kell vizsgálni a karbantartás szintjét és intervallumát, és szükség esetén tanácsot és műszaki támogatást kell kérni új karbantartási ütemezés tervezésére az aktivitás gyakoriságától és természetétől függően. Ezt helyi kockázatértékeléssel kell meghatározni, amelyet megfelelően képzett személy végez el.

6 A használatot érintő korlátozások

A tervezett élet

Helyi kockázatértékelést kell elvégezni az aktivitás és a felhasználás alapján.

Súlyok emelése

A felhasználó súlyát és aktivitását a megállapított határértékek szabályozzák.

A felhasználó által vitt súlyt a helyi kockázatértékelés alapján kell meghatározni.

Környezet

Ez az eszköz legfeljebb 1 méter mélységig vízálló. A mozgó alkatrészek kopásának vagy sérülésének megelőzése érdekében alaposan öblítse át friss vízzel, ha dörzshatású – például homokos vagy poros – környezetben használta. Sós vagy klóros vízben való használatot követően alaposan öblítse el friss vízben.

Kizárólag -15 °C és 50 °C között használható.

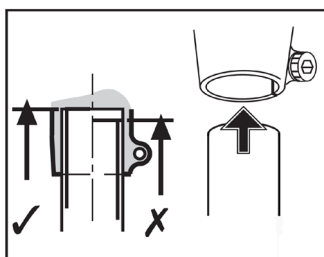
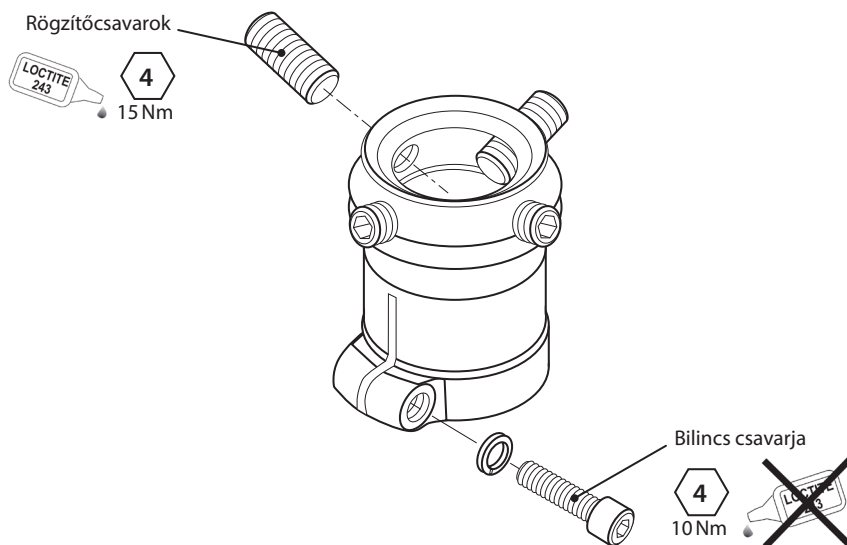


Vízbe merítésre alkalmas

7 Az illesztésre vonatkozó tanácsok

Az ebben a szakaszban található utasítások kizárólag az orvos használatára szolgálnak.

Pozicionálja olyan közel a felépítési vonalhoz, amilyen közel a legpraktikusabb.



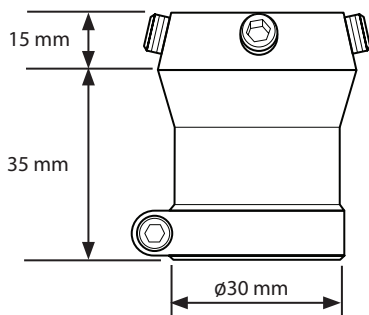
Tünet	Megoldás
Visszatérő zaj az eszköz érintkező felületeinél.	Ellenőrizze, hogy az illesztőcsavarok és a csőbilincs biztonságosan rögzülnek-e. Szükség esetén használjon Loctite-et, és húzza meg a megfelelő forgatónyomatékra. Ügyeljen arra, hogy az érintkező felületek tiszták legyenek, és a cső vége merőlegesen, pontosan legyen vágva.
Az adapter kimozdul a helyéről.	A felhasználó nem használhatja az eszközt az igazításig, javításig vagy kicserélésig.

8 Műszaki adatok

Üzemi és tárolási hőmérséklet-tartomány:	-15 °C–50 °C
Az alkatrész súlya:	92 g
Aktivítási szint:	1–4
A felhasználó maximális súlya:	145 kg/1–4 150 kg/1–3
Csatlakozási típusok:	Proximális – csatlakozóhüvelyes piramis (Blatchford) Disztális – 30 mm átmérőjű cső
Az igazítás tartománya:	360°-os, tengely körüli forgatás ±7° dőlés a függőlegestől
Hossz:	15 mm (50 mm)

Illesztési hossz

Az eszköz fix hosszúságú.



Tárolás és kezelés

Ha hosszú ideig tárolja, ügyeljen arra, hogy a termék ne legyen nedves, és szobahőmérsékleten tárolja.

9 Rendelési információk

Eszköz	Alkatrészszám
Ø30 mm csőbilincsadapter csatlakozóhüvelyes piramissal	AK30M1

Felelősség

A gyártó azt javasolja, hogy az eszközt csak a megadott körülmények között és a tervezett célokra használják. Az eszköz karbantartását az ahhoz mellékelt használati útmutató szerint kell végezni. A gyártó nem felel semmilyen olyan nemkívánatos kimenetelért, amelyet általa jóvá nem hagyott alkatrész-kombináció okoz.

CE-megfelelőség

Ez a termék megfelel az orvostechnikai eszközökre vonatkozó 2017/745 európai uniós rendelet követelményeinek. Ezt a terméket 1. osztályú terméként sorolták be a rendelet VIII. mellékletében meghatározott osztályozási szabályok szerint. Az európai uniós megfelelőségi nyilatkozat a következő internetes oldalon érhető el: www.blatchford.co.uk



Orvostechnikai eszköz



Egy beteg – többszöri felhasználás

Összeférhetőség

A Blatchford márkájú termékekkel való összeállítás a vonatkozó szabványok és az orvostechnikai eszközökre vonatkozó rendelet (MDR) szerint végzett tesztelés alapján engedélyezett, ideértve a szerkezeti vizsgálatot, a méretek összeférhetőségét és az ellenőrzött helyszíni teljesítményt.

Más, CE-jelzéssel ellátott termékekkel való összeállítást orvos által végzett, dokumentált helyi kockázatértékelésre figyelemmel kell elvégezni.

Jótállás

Az eszközre 24 hónapos jótállás vonatkozik.

A felhasználónak tisztában kell lennie azzal, hogy a kifejezetten jóvá nem hagyott változtatások vagy módosítások érvényteleníthetik a jótállást, a működési engedélyeket és mentességeket.

A teljes jótállási nyilatkozatot lásd a Blatchford weboldalán.

A súlyos incidensek jelentése

Abban a valószínűtlen esetben, ha súlyos incidens történne az eszközzel kapcsolatban, azt jelenteni kell a gyártónak és az illetékes nemzeti hatóságnak.

Környezetvédelmi szempontok

Ez a termék újrahasznosítható anyagból készült. Hacsak lehetséges, az alkatrészeket a helyi hulladékkezelési szabályozások szerint újra kell hasznosítani.

A csomagolás címkéjének megőrzése

Javasoljuk, hogy az orvos őrizze meg a csomagolás címkéjét a biztosított eszköz dokumentálásaként.

Védjegyre vonatkozó elismervények

A Blatchford a Blatchford Products Limited bejegyzett védjegye.

A gyártó székhelye

Blatchford Products Limited, Lister Road, Basingstoke RG22 4AH, Egyesült Királyság

Περιεχόμενα.....	56
1 Περιγραφή και σκοπός για τον οποίο προορίζεται	57
2 Πληροφορίες για την ασφάλεια	58
3 Κατασκευή.....	59
4 Λειτουργία	59
5 Συντήρηση.....	60
6 Περιορισμοί για τη χρήση.....	61
7 Οδηγίες προσαρμογής.....	62
8 Τεχνικά στοιχεία.....	63
9 Πληροφορίες παραγγελίας.....	63

1 Περιγραφή και σκοπός για τον οποίο προορίζεται

Αυτές οι οδηγίες χρήσης προορίζονται για τον ιατρό και τον χρήστη, εκτός αν αναφέρεται κάτι διαφορετικό.

Ο όρος *συσσκευή* όπως χρησιμοποιείται σε αυτές τις οδηγίες χρήσης αναφέρεται στον προσαρμογέα σφιγκτήρα σωλήνα $\varnothing 30$ mm με θηλυκή πυραμίδα.

Διαβάστε και βεβαιωθείτε ότι κατανοήσατε αυτές τις οδηγίες, ιδιαίτερα όλες τις πληροφορίες για την ασφάλεια και τις οδηγίες συντήρησης.

Εφαρμογή

Η συσκευή αυτή πρέπει να χρησιμοποιείται αποκλειστικά για προσαρτήσεις προθέσεων κάτω άκρου και προορίζεται για έναν μόνο χρήστη.

Η συσκευή χρησιμοποιείται για την ασφαλή σύνδεση ενός σωλήνα $\varnothing 30$ mm σε αρσενική πυραμίδα Blatchford και επιτρέπει ρύθμιση γωνίας και περιστροφής.

Χαρακτηριστικά

- Ελαφριά, ανθεκτική κατασκευή από τιτάνιο

Επίπεδο σωματικής δραστηριότητας

Αυτή η συσκευή είναι κατάλληλη για τα επίπεδα δραστηριότητας 1-4 (ισχύουν όρια βάρους, βλ. *Τεχνικά στοιχεία*). Ασφαλώς υπάρχουν εξαιρέσεις και στη σύστασή μας θέλουμε να υπάρξει πρόβλεψη για μοναδικές, ατομικές περιστάσεις και οποιαδήποτε τέτοια απόφαση θα πρέπει να λαμβάνεται με βάσιμη και διεξοδική αιτιολόγηση.

Επίπεδο σωματικής δραστηριότητας 1

Ο χρήστης έχει την ικανότητα ή τη δυνατότητα να χρησιμοποιεί πρόθεση για μετακινήσεις ή βάδιση σε επίπεδες επιφάνειες, με σταθερό ρυθμό. Αυτό είναι χαρακτηριστικό του περιορισμένου και μη περιορισμένου περιπατητή μέσα στο σπίτι.

Επίπεδο σωματικής δραστηριότητας 2

Ο χρήστης έχει την ικανότητα ή τη δυνατότητα για βάδιση και μπορεί να διαβαίνει περιβαλλοντικά εμπόδια χαμηλού επιπέδου, όπως πεζοδρόμια, σκαλιά ή ανώμαλες επιφάνειες. Αυτό είναι χαρακτηριστικό του περιορισμένου περιπατητή που βγαίνει στην κοινωνία.

Επίπεδο σωματικής δραστηριότητας 3

Ο ασθενής έχει την ικανότητα ή τη δυνατότητα για βάδιση με μεταβλητό ρυθμό. Αυτό είναι χαρακτηριστικό του περιπατητή που βγαίνει στην κοινωνία, ο οποίος έχει την ικανότητα να διαβαίνει τα περισσότερα περιβαλλοντικά εμπόδια και μπορεί να διεξάγει επαγγελματική, θεραπευτική ή αθλητική δραστηριότητα που απαιτεί προσθετική χρήση πέρα από την απλή μετακίνηση.

Επίπεδο σωματικής δραστηριότητας 4

Ο ασθενής έχει την ικανότητα ή τη δυνατότητα για προσθετική βάδιση που υπερβαίνει τη βασική ικανότητα βάδισης, επιδεικνύοντας υψηλά επίπεδα πρόσκρουσης, καταπόνησης ή ενέργειας. Αυτό είναι χαρακτηριστικό των προσθετικών απαιτήσεων ενός παιδιού, δραστήριου ενήλικα ή αθλητή.

Αντενδείξεις

Δεν υπάρχουν γνωστές αντενδείξεις εφόσον χρησιμοποιείται σύμφωνα με αυτές τις οδηγίες.

Κλινικά οφέλη

- Επιτρέπει τη σύνδεση από τον σωλήνα κνήμης σε άλλα προσθετικά εξαρτήματα.

2 Πληροφορίες για την ασφάλεια



Αυτό το προειδοποιητικό σύμβολο επισημαίνει σημαντικές πληροφορίες για την ασφάλεια, οι οποίες πρέπει να ακολουθούνται προσεκτικά.



Τυχόν αλλαγές στην απόδοση ή τη λειτουργία του άκρου, π.χ. υπερβολικός τζόγος ή ασυνήθιστοι θόρυβοι, θα πρέπει να αναφέρονται αμέσως στον πάροχο υπηρεσιών σας.



Χρησιμοποιείτε πάντα χειρολισθήρα όταν κατεβαίνετε σκάλες και οποιαδήποτε άλλη στιγμή, εφόσον είναι διαθέσιμος.



Η συσκευή έχει σχεδιαστεί για παρατεταμένη βύθιση και είναι κατάλληλη για εμβάπτιση σε γλυκό νερό μόνο. Βεβαιωθείτε ότι οποιαδήποτε χρήση της συσκευής σε νερό συμμορφώνεται με τις προϋποθέσεις που αναφέρονται στην ενότητα *Περιορισμοί για τη χρήση*.



Ο χρήστης δεν πρέπει να ρυθμίζει τη συσκευή ή να παρεμβαίνει στη ρύθμισή της.



Συνιστάται στον χρήστη να επικοινωνήσει με τον ιατρό του σε περίπτωση αλλαγής της κατάστασής του.



Για να μειωθεί ο κίνδυνος τραυματισμού λόγω αστοχίας ή χαλάρωσης των συνδέσεων με κοχλίες, βεβαιωθείτε ότι τα σπειρώματα των κοχλιών έχουν καθαριστεί καλά πριν από κάθε εγκατάσταση.



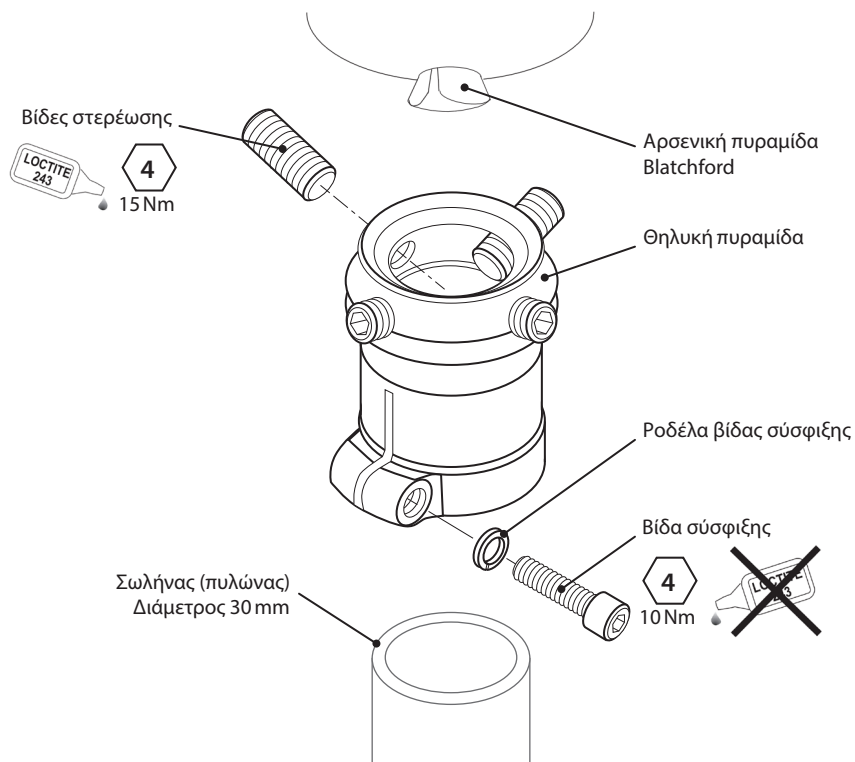
Εφαρμόζετε πάντα την καθορισμένη τιμή ροπής στις βίδες.

3 Κατασκευή

Κύρια μέρη

- Θηλυκή πυραμίδα Τιτάνιο
- Βίδα σύσφιξης Επιμεταλλωμένος χάλυβας
- Ροδέλα βίδας σύσφιξης Επιμεταλλωμένος χάλυβας
- Βίδες στερέωσης Επιμεταλλωμένος χάλυβας (x4)

Αναγνώριση εξαρτημάτων



4 Λειτουργία

Η συσκευή παρέχει γωνιακή και περιστροφική ρύθμιση για προσαρμοσμένη ευθυγράμμιση του άκρου ώστε να ταιριάζει στο ακρωτηριασμένο άτομο. Όταν οι βίδες στερέωσης σφίγγονται με ασφάλεια, χρησιμοποιώντας Loctite 243, αυτή η συσκευή προσφέρει έναν ασφαλή τρόπο σύνδεσης ενός σωλήνα διαμέτρου 30 mm σε έναν προσαρμογέα αρσενικής πυραμίδας.

5 Συντήρηση

Ελέγχετε οπτικά τη συσκευή σε τακτά χρονικά διαστήματα.

Αναφέρετε οποιοσδήποτε αλλαγές στην απόδοση αυτής της συσκευής στον ιατρό/τον πάροχο υπηρεσιών, π.χ. ασυνήθιστους θορύβους ή σημαντική φθορά.

Ενημερώστε τον ιατρό/τον πάροχο υπηρεσιών για τυχόν αλλαγές στο σωματικό βάρος ή/και το επίπεδο σωματικής δραστηριότητας.

Καθαρισμός

Χρησιμοποιήστε υγρό πανί και ήπιο σαπούνι για να καθαρίσετε τις εξωτερικές επιφάνειες. ΜΗ χρησιμοποιείτε επιθετικά καθαριστικά.

Οι υπόλοιπες οδηγίες της ενότητας αυτής προορίζονται μόνο για χρήση από ιατρούς.

Η συντήρηση αυτή πρέπει να εκτελείται μόνο από αρμόδιο προσωπικό (ιατρό ή κατάλληλο εκπαιδευμένο τεχνικό).

Οι ακόλουθες εργασίες τακτικής συντήρησης πρέπει να εκτελούνται τουλάχιστον σε ετήσια βάση:

- Ελέγξτε αν είναι καλά σφιγμένος ο σωλήνας. Αν είναι χαλαρός, αφαιρέστε, καθαρίστε και επανατοποθετήστε.
- Ελέγξτε αν είναι καλά σφιγμένες οι βίδες στερέωσης. Αν είναι χαλαρές, αφαιρέστε και καθαρίστε τις και, στη συνέχεια, εφαρμόστε Loctite 243 και σφίξτε στη σωστή ρύθμιση ροπής, βλ. ενότητα *Κατασκευή*.
- Ελέγξτε για ελαττώματα που θα μπορούσαν να επηρεάσουν τη σωστή λειτουργία.

Βεβαιωθείτε ότι ο χρήστης έχει διαβάσει και κατανοήσει όλες τις πληροφορίες ασφαλείας και συντήρησης σε επίπεδο χρήστη.

Ενημερώστε τον χρήστη ότι συνιστάται τακτικός οπτικός έλεγχος της συσκευής και ότι θα πρέπει να αναφέρονται στον πάροχο υπηρεσιών ενδείξεις φθοράς που μπορεί να επηρεάσουν τη λειτουργία της.

Συμβουλευτέ τον χρήστη να ενημερώσει τον ιατρό/τον πάροχο υπηρεσιών για οποιοσδήποτε αλλαγές στο σωματικό βάρος ή/και το επίπεδο σωματικής δραστηριότητας.

Αν αυτή η συσκευή χρησιμοποιείται για ακραία σωματική δραστηριότητα, το επίπεδο και το διάστημα συντήρησης θα πρέπει να επανεξεταστούν και, εφόσον χρειαστεί, θα πρέπει να ζητηθεί η παροχή συμβουλών και τεχνικής υποστήριξης για τον σχεδιασμό ενός νέου χρονοδιαγράμματος συντήρησης ανάλογα με τη συχνότητα και τη φύση της σωματικής δραστηριότητας. Αυτό θα πρέπει να καθοριστεί βάσει επιτόπιας αξιολόγησης κινδύνου που θα αναληφθεί από άτομο με τα κατάλληλα προσόντα.

6 Περιορισμοί για τη χρήση

Προβλεπόμενη διάρκεια ζωής

Θα πρέπει να διεξαχθεί επιτόπια αξιολόγηση κινδύνου βάσει της δραστηριότητας και της χρήσης.

Άρση φορτίου

Το βάρος και η δραστηριότητα του χρήστη εξαρτώνται από τα αναφερόμενα όρια.

Η μεταφορά φορτίου από τον χρήστη θα πρέπει να βασίζεται σε επιτόπια αξιολόγηση κινδύνου.

Περιβάλλον

Η συσκευή αυτή είναι αδιάβροχη σε μέγιστο βάθος 1 μέτρου. Ξεπλένετε καλά με γλυκό νερό μετά τη χρήση σε διαβρωτικά περιβάλλοντα, όπως για παράδειγμα αυτά που μπορεί να περιέχουν άμμο ή χαλίκι, ώστε να αποφύγετε τη φθορά ή την πρόκληση βλάβης στα κινούμενα μέρη.

Ξεπλύνετε καλά με γλυκό νερό μετά τη χρήση σε θαλασσίνο ή χλωριωμένο νερό.

Αποκλειστικά για χρήση σε θερμοκρασία μεταξύ -15 °C και 50 °C.

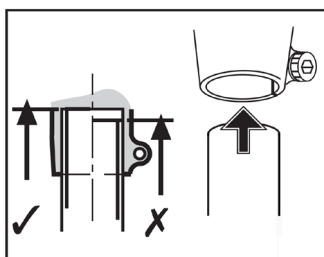
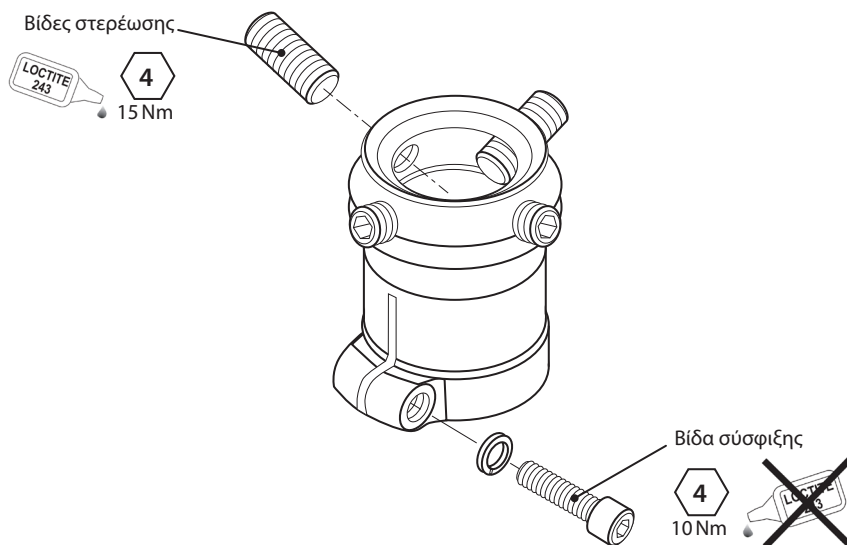


Κατάλληλο για βύθιση σε υγρό

7 Οδηγίες προσαρμογής

Οι οδηγίες της ενότητας αυτής προορίζονται μόνο για χρήση από ιατρούς.

Τοποθετήστε όσο πιο κοντά είναι πρακτικά εφικτό στη γραμμή φόρτισης.



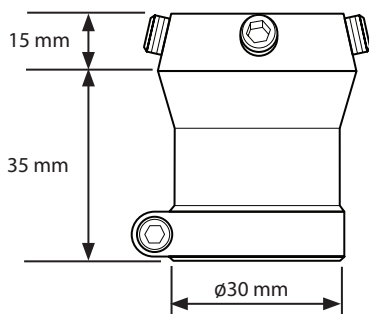
Σύμπτωμα	Λύση
Ακούγεται ένας επαναλαμβανόμενος θόρυβος στις διεπαφές της συσκευής.	Ελέγξτε ότι έχουν σφίξει καλά όλες οι βίδες ευθυγράμμισης και ο σφιγκτήρας του σωλήνα. Εφαρμόστε Loctite, όπως απαιτείται, και σφίξτε με τις σωστές ρυθμίσεις ροπής. Βεβαιωθείτε ότι οι επιφάνειες προσαρμογής είναι καθαρές και ότι το άκρο του σωλήνα έχει κοπεί ίσια.
Ο προσαρμογέας βγαίνει από τη θέση του.	Ο χρήστης δεν πρέπει να χρησιμοποιήσει τη συσκευή μέχρι να προσαρμοστεί, να επισκευαστεί ή να αντικατασταθεί.

8 Τεχνικά στοιχεία

Εύρος τιμών θερμοκρασίας χειρισμού και φύλαξης:	-15 °C έως 50 °C
Βάρος εξαρτημάτων:	92 g
Επίπεδο σωματικής δραστηριότητας:	1–4
Μέγιστο βάρος χρήστη:	145 kg/1–4 150 kg/1–3
Τύπος προσαρτήματος:	Εγγύς—θηλυκή πυραμίδα (Blatchford) Περιφερικά—σωλήνας διαμέτρου 30 mm
Εύρος ρύθμισης:	Αξονική περιστροφή 360° ±7° κλίση κατακόρυφα
Μήκος:	15 mm (50 mm)

Μήκος προσαρμογής

Η συσκευή είναι σταθερού μήκους.



Φύλαξη και χειρισμός

Κατά τη φύλαξη για παρατεταμένα χρονικά διαστήματα, βεβαιωθείτε ότι το προϊόν είναι απαλλαγμένο από υγρασία και ότι αποθηκεύεται σε θερμοκρασία δωματίου.

9 Πληροφορίες παραγγελίας

Συσκευή	Αριθμός εξαρτήματος
Προσαρμογέας σφιγκτήρα σωλήνα $\varnothing 30$ mm με θηλυκή πυραμίδα	AK30M1

Ευθύνη

Ο κατασκευαστής συνιστά τη χρήση της συσκευής μόνο υπό τις καθορισμένες συνθήκες και για τους προβλεπόμενους σκοπούς. Η συσκευή πρέπει να συντηρείται σύμφωνα με τις οδηγίες χρήσης που συνοδεύουν τη συσκευή. Ο κατασκευαστής δεν φέρει ευθύνη για οποιοδήποτε δυσμενές αποτέλεσμα προκληθεί από συνδυασμούς εξαρτημάτων που δεν έχουν εγκριθεί από αυτόν.

Πιστότητα CE

Το προϊόν αυτό ικανοποιεί τις απαιτήσεις του Ευρωπαϊκού Κανονισμού (ΕΕ) 2017/745 περί ιατροτεχνολογικών προϊόντων. Το προϊόν αυτό έχει ταξινομηθεί ως ιατροτεχνολογικό προϊόν κατηγορίας Ι σύμφωνα με τους κανόνες ταξινόμησης που περιγράφονται στο παράρτημα VIII του κανονισμού. Η δήλωση πιστότητας ΕΕ διατίθεται στην ακόλουθη διεύθυνση στο Internet: www.blatchford.co.uk



Ιατροτεχνολογικό προϊόν



Πολλαπλή χρήση – σε έναν μόνο ασθενή

Συμβατότητα

Ο συνδυασμός με προϊόντα επωνυμίας Blatchford εγκρίνεται βάσει δοκιμών σύμφωνα με τα σχετικά πρότυπα και την οδηγία περί των ιατροτεχνολογικών προϊόντων, συμπεριλαμβανομένων δομικών δοκιμών, συμβατότητας διαστάσεων και παρακολουθούμενης απόδοσης πεδίου.

Ο συνδυασμός με εναλλακτικά προϊόντα με σήμανση CE πρέπει να πραγματοποιείται βάσει τεκμηριωμένης επιτόπιας αξιολόγησης κινδύνου που έχει διεξαχθεί από ιατρό.

Εγγύηση

Η συσκευή αυτή καλύπτεται από εγγύηση 24 μηνών.

Ο χρήστης πρέπει να ενημερώνεται ότι οι αλλαγές ή οι τροποποιήσεις που δεν έχουν εγκριθεί ρητά ενδέχεται να ακυρώσουν την εγγύηση, τις άδειες λειτουργίας και τις εξαιρέσεις.

Ανατρέξτε στον ιστότοπο της Blatchford για την τρέχουσα πλήρη δήλωση εγγύησης.

Αναφορά σοβαρών περιστατικών

Στην απίθανη περίπτωση που προκύψει κάποιο σοβαρό περιστατικό σε σχέση με τη συσκευή αυτή, αυτό θα πρέπει να αναφερθεί στον κατασκευαστή και τις αρμόδιες εθνικές αρχές.

Θέματα περιβάλλοντος

Το προϊόν αυτό έχει κατασκευαστεί από ανακυκλώσιμα υλικά. Όπου αυτό είναι δυνατόν, τα εξαρτήματα θα πρέπει να ανακυκλώνονται σύμφωνα με τους τοπικούς κανονισμούς χειρισμού αποβλήτων.

Διατήρηση της ετικέτας συσκευασίας

Συνιστάται στον ιατρόνα διατηρεί την ετικέτα της συσκευασίας ως αρχείο της παρεχόμενης συσκευής.

Αναγνωρίσεις εμπορικών σημάτων

Η ονομασία Blatchford είναι σήμα κατατεθέν της Blatchford Products Limited.

Καταχωρημένη διεύθυνση κατασκευαστή

Blatchford Products Limited, Lister Road, Basingstoke RG22 4AH, Ηνωμένο Βασίλειο.

Saturs.....	65
1 Apraksts un paredzētais mērķis	66
2 Drošības informācija	67
3 Uzbūve	68
4 Funkcija.....	68
5 Apkope.....	69
6 Lietošanas ierobežojumi.....	70
7 Pielāgošanas ieteikumi.....	71
8 Tehniskie dati.....	72
9 Pasūtišanas informācija.....	72

1 Apraksts un paredzētais mērķis

Šī lietošanas pamācība ir paredzēta speciālistam un lietotājam, ja vien nav norādīts citādi.

Termins *ierīce* šajā dokumentā tiek izmantots, lai apzīmētu Ø30 mm caurulītes skavas adapteri ar ligzdas tipa piramīdu.

Lūdzu, izlasiet un pārliecinieties, ka izprotat šos norādījumus — it īpaši visu informāciju par drošību un apkopes norādījumus.

Pielietojums

Šī ierīce ir jālieto tikai apakšējo ekstremitāšu protēžu savienojumiem; tā paredzēta vienam lietotājam.

Ierīci lieto, lai Ø30 mm caurulīti droši pievienotu Blatchford spraudņa tipa piramīdai, un tā ļauj regulēt leņķa un rotācijas kustības.

Funkcijas

- Viegla, izturīga titāna konstrukcija

Aktivitātes līmenis

Šī ierīce ir piemērota 1.–4. aktivitātes līmenim (pastāv ķermeņa masas ierobežojumi; skatīt *Tehniskie dati*). Protams, pastāv izņēmumi, un mūsu ieteikumā vēlamies pieļaut unikālus, individuālus apstākļus, un jebkurš šāds lēmums ir jāpieņem, ja ir skaidrs un pārdomāts pamatojums.

1. aktivitātes līmenis

Spēj vai ir potenciāls izmantot protēzi, lai pārvietotos ar palīdzību vai staigātu pa līdzenu virsmu fiksētā tempā. Tipiski personai, kura spēj staigāt mājās ar vai bez ierobežojumiem.

2. aktivitātes līmenis

Spēja vai potenciāls staigāt ar palīdzīdzekli ar spēju šķērsot nelielas vides barjeras, piemēram, ietves malas, kāpnes vai nelīdzenas virsmas. Tipiski cilvēkam, kas pārvietojas ar ierobežojumiem ārpus mājām.

3. aktivitātes līmenis

Spēja vai potenciāls pārvietoties ar mainīgu tempu. Tipiski cilvēkam, kurš var neatkarīgi pārvietoties ārpus mājas, šķērsojot lielāko daļu vides barjeru, un kuram var būt profesionālā, terapeitiskā vai fiziskā aktivitāte, kam nepieciešama protēzes izmantošana, kas pārsniedz parastu pārvietošanos.

4. aktivitātes līmenis

Spēja vai potenciāls staigāt, kas pārsniedz parastās pārvietošanās ar protēzi prasmes, pieļaujot augstu triecienu, stresa vai enerģijas pakāpi. Tipiski bērnu, aktīvu pieaugušo vai sportistu protezēšanas vajadzībām.

Kontrindikācijas

Nav zināmu kontrindikāciju, ja ierīce tiek lietota atbilstoši šiem norādījumiem.

Klīniskie ieguvumi

- Ļauj izveidot savienojumu starp apakšstilba caurulīti un citām protēzes sastāvdaļām.

2 Drošības informācija



Šis brīdinājuma simbols izceļ svarīgu drošības informāciju, kas rūpīgi jāievēro.



Par jebkādam ekstremitātes veiktspējas vai funkcionēšanas izmaiņām, piem., pārmērīgu kustību vai neparastiem trokšņiem, nekavējoties ziņojiet savam pakalpojumu sniedzējam.



Ejot pa kāpnēm lejā un jebkurā citā laikā vienmēr izmantojiet kāpņu margas, kad tās ir pieejamas.



Ierīce ir paredzēta ilgstošai iegremdēšanai un piemērota tikai iegremdēšanai saldūdenī. Pārlicinieties, ka ierīces lietošana ūdenī atbilst nosacījumiem, kas norādīti sadaļā *Lietošanas ierobežojumi*.



Lietotājs nedrīkst regulēt vai izmainīt ierīces iestatījumu.



Ja mainās ierīces stāvoklis, lietotājam tiek ieteikts sazināties ar speciālistu.



Lai samazinātu traumu risku skrūvju savienojumu kļūmes vai vaļīguma dēļ, pirms katras uzstādīšanas pārlicinieties, ka skrūvju vītnes ir rūpīgi iztīrītas.



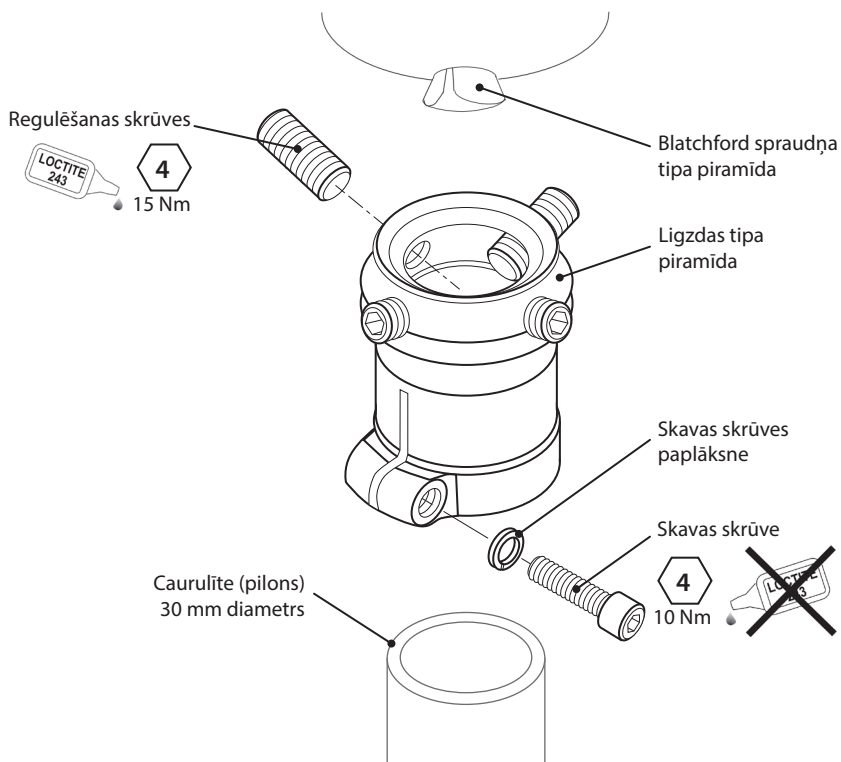
Vienmēr izmantojiet norādīto griezes momenta vērtību skrūvēm.

3 Uzbūve

Galvenās daļas

- | | |
|----------------------------|-----------------------|
| • Ligzdas tipa piramīda | Titāns |
| • Skavas skrūve | Pārklāts tērauds |
| • Skavas skrūves paplāksne | Pārklāts tērauds |
| • Regulēšanas skrūves | Pārklāts tērauds (x4) |

Sastāvdaļu identifikācija



4 Funkcija

Šī ierīce nodrošina leņķa un rotējošo kustību regulēšanu, lai pielāgotu ekstremitātes salāgošanu personai, kurai ir veikta amputācija. Kad regulēšanas skrūves ir stingri nostiprinātas, izmantojot Loctite 243, šī ierīce ļauj 30 mm diametra caurulīti droši pievienot spraudņa tipa piramīdas adapterim.

5 Apkope

Regulāri vizuāli pārbaudiet ierīci.

Par jebkādam izmaiņām šīs ierīces veiktspējā, piem., neparastiem trokšņiem vai nozīmīgu nodilumu, ziņojiet speciālistam/pakalpojumu sniedzējam.

Informējiet speciālistu/pakalpojumu sniedzēju par jebkādam ķermeņa masas un/vai aktivitātes līmeņa izmaiņām.

Tīrīšana

Izmantojiet mitru drānu un vieglu ziepjūdeni, lai notīrītu ārējās virsmas. NEIZMANTOJIET agresīvus tīrīšanas līdzekļus.

Turpmākie šajā sadaļā esošie norādījumi paredzēti tikai speciālistam.

Šo apkopi drīkst veikt tikai kompetents personāls (speciālists vai atbilstoši apmācīts tehniķis).

Vismaz reizi gadā jāveic šāda regulārā apkope.

- Pārbaudiet, vai caurulīte ir stingri nostiprināta. Ja tā ir vaļīga, atvienojiet, notīriet un uzstādiet atkārtoti.
- Pārbaudiet, vai regulēšanas skrūves ir stingri pievilktas. Ja tās ir vaļīgas, atvienojiet un notīriet, pēc tam izmantojiet Loctite 243 un pievelciet līdz pareizajam griezes momenta iestatījumam; skatīt sadaļu *Uzbūve*
- Pārbaudiet, vai nav defektu, kas varētu ietekmēt pareizu darbību.

Pārļiecinieties, ka lietotājs ir izlasījis un sapratis visu drošības un lietotājam veicamās apkopes informāciju.

Norādiet lietotājam, ka ir ieteicama regulāra vizuāla ierīces pārbaude un gadījumā, ja redzamas nodiluma pazīmes, kas var ietekmēt funkcionalitāti, par to ir jāziņo pakalpojumu sniedzējam.

lesakiet lietotājam informēt speciālistu/pakalpojumu sniedzēju par jebkādam ķermeņa masas un/vai aktivitātes līmeņa izmaiņām.

Ja šo ierīci izmanto ekstrēmām aktivitātēm, tehniskās apkopes līmenis un intervāls ir jāpārskata un, ja nepieciešams, jālūdz padoms un tehniskais atbalsts, lai plānotu jaunu tehniskās apkopes grafiku atkarībā no darbību biežuma un rakstura. Tas jānosaka vietējā riska novērtējumā, ko veic atbilstoši kvalificēta persona.

6 Lietošanas ierobežojumi

Paredzētais kalpošanas laiks

Jāveic vietējs riska novērtējums, pamatojoties uz aktivitāti un lietojumu.

Celšanas slodzes

Lietotāja ķermeņa masu un aktivitāti regulē noteiktie ierobežojumi.

Lietotāja slodzei jāatbilst vietējā riska novērtējumā noteiktajai.

Vide

Šī ierīce ir ūdensizturīga maksimāli līdz 1 metra dziļumam. Pēc lietošanas abrazīvās vidēs, piemēram, vietās, kur, var būt smiltis vai grants, rūpīgi nomazgājiet ar tīru ūdeni, lai novērstu kustīgu daļu nodilumu vai bojājumus. Pēc lietošanas sāls vai hlorētā ūdenī rūpīgi noskalojiet ar saldūdeni.

Lietojiet tikai temperatūrā no -15 °C līdz 50 °C.

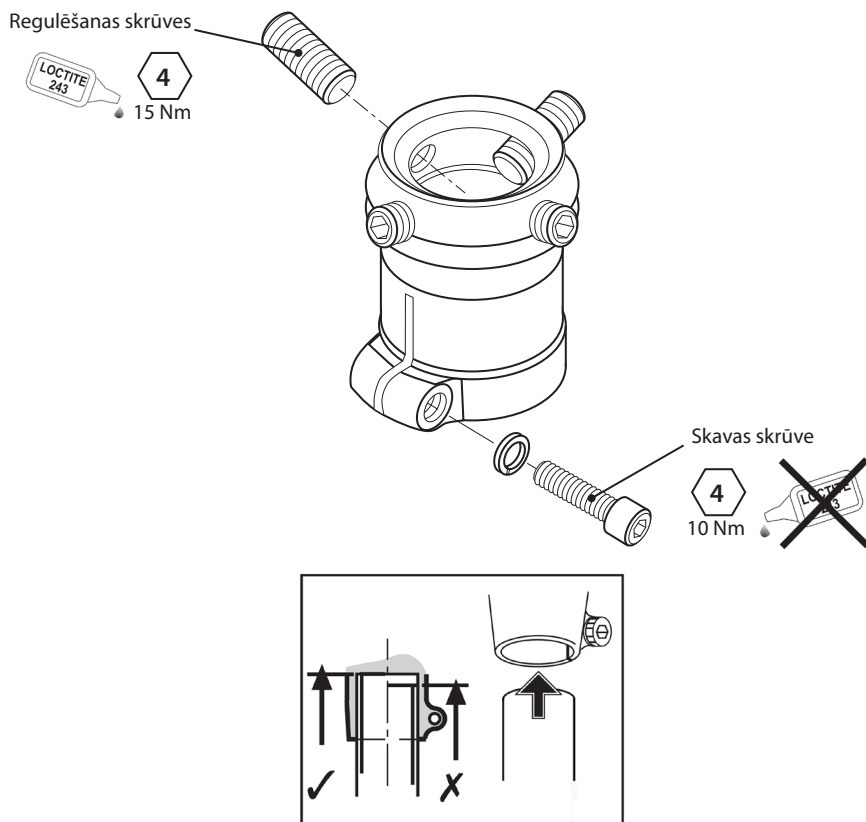


Piemērota iegremdēšanai

7 Pielāgošanas ieteikumi

Šajā sadaļā esošie norādījumi paredzēti tikai speciālistam.

Novietojiet pēc iespējas tuvāk iestrādātajai līnijai.



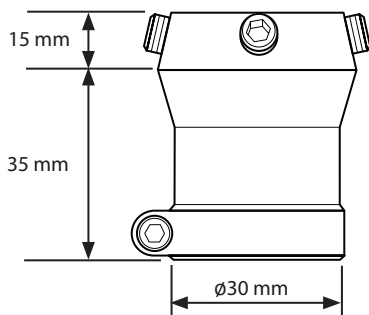
Simptoms	Risinājums
Starp ierīces saskares virsmām atkārtoti rodas troksnis.	Pārbaudiet visu salāgojuma skrūvju un caurulītes skavas drošumu. Pēc nepieciešamības uzklājiet Loctite un pievelciet līdz pareizajam griezes momentam. Nodrošiniet, lai salāgotās virsmas būtu tīras un caurulītes gals būtu nogriezts taisni.
Adapteris izvirzījies no pozīcijas.	Lietotājs nedrīkst lietot ierīci, kamēr tā nav noregulēta, salabota vai nomainīta.

8 Tehniskie dati

Darbības un uzglabāšanas temperatūras diapazons:	-15 °C līdz 50 °C
Komponenta svars:	92 g
Aktivitātes līmenis:	1.–4.
Maks. lietotāja ķermeņa masa:	145 kg/1–4 150 kg/1–3
Piestiprināšanas veids:	Proksimālais — ligzdas tipa piramīda (Blatchford) Distālais — 30 mm diametra caurulīte
Noregulēšanas diapazons:	360° aksiāla rotācija ±7° sasvērums no vertikālā
Garums:	15 mm (50 mm)

Uzstādīšanas garums

Šai ierīcei ir fiksēts garums.



Uzglabāšana un rīkošanās

Uzglabājot ilgstoši, nodrošiniet, ka izstrādājumā nav mitruma un tas tiek uzglabāts istabas temperatūrā.

9 Pasūtīšanas informācija

Ierīce	Daļas numurs
Ø30 mm caurulītes skavas adapteris ar ligzdas tipa piramīdu	AK30M1

Atbildība

Ražotājs iesaka izmantot ierīci tikai noteiktos apstākļos un paredzētajiem mērķiem. Ierīces apkope ir jāveic saskaņā ar komplektācijā iekļauto lietošanas pamācību. Ražotājs nav atbildīgs par negatīviem rezultātiem, ko izraisa neatļautas komponentu kombinācijas.

CE atbilstība

Šis izstrādājums atbilst Eiropas Regulai ES 2017/745, kas attiecas uz medicīniskajām ierīcēm. Šis izstrādājums ir klasificēts kā I klases produkts saskaņā ar klasifikācijas kritērijiem, kas izklāstīti Regulas VIII pielikumā. ES atbilstības deklarācijas sertifikāts pieejams tīmekļa vietnē www.blatchford.co.uk



Medicīniskā ierīce



Viens pacients — atkārtota lietošana

Saderība

Kombinācija ar Blatchford zīmola izstrādājumiem ir apstiprināta, pamatojoties uz testēšanu saskaņā ar attiecīgajiem standartiem un MDR, tostarp attiecībā uz konstrukcijas pārbaudi, izmēru saderību un uzraudzītu lauka veiktspēju.

Kombinēšana ar alternatīviem CE marķētiem izstrādājumiem jāveic, ņemot vērā dokumentētu vietējā riska novērtējumu, ko izpilda speciālists.

Garantija

Šai ierīcei ir piešķirta 24 mēnešu garantija.

Lietotājam ir jāapzinās, ka izmaiņas vai pārveidojumi, kas nav skaidri apstiprināti, var anulēt garantiju, darbības licences un izņēmumus.

Pilnīgu pašreizējo garantijas paziņojumu skatiet Blatchford tīmekļa vietnē.

Ziņošana par nopietniem negadījumiem

Ja rodas nopietns negadījums, kas saistīts ar šo ierīci un kas ir maz ticams, par to jāziņo ražotājam un valsts kompetentajai iestādei.

Vides aspekti

Šis izstrādājums ir izgatavots no pārstrādājamiem materiāliem. Ja iespējams, komponenti jāpārstrādā saskaņā ar vietējiem atkritumu apstrādes noteikumiem.

Iepakojuma etiķetes saglabāšana

Speciālistam ieteicams glabāt iepakojuma etiķeti atsaucei par piegādāto ierīci.

Paziņojumi par preču zīmēm

Blatchford ir Blatchford Products Limited reģistrēta preču zīme.

Ražotāja reģistrētā adrese

Blatchford Products Limited, Lister Road, Basingstoke RG22 4AH, Apvienotā Karaliste.

Turinys	74
1 Aprašas ir numatyta paskirtis	75
2 Saugos informacija	76
3 Konstrukcija.....	77
4 Veikimas.....	77
5 Priežiūra	78
6 Naudojimo apribojimai	79
7 Pritaikymo patarimai.....	80
8 Techniniai duomenys.....	81
9 Informacija apie užsakymą	81

1 Aprašas ir numatyta paskirtis

Jei nenurodyta kitaip, ši naudojimo instrukcija skirta gydytojui ir naudotojui.

Joje terminu *priemonė* vadinamas $\varnothing 30$ mm vamzdžio veržiklio adapteris su užmaunamąja piramide.

Perskaitykite šią instrukciją ir įsitikinkite, kad viską supratote, ypač visą saugos informaciją ir priežiūros instrukcijas.

Taikymas

Priemonė skirta naudoti tik su apatinių galūnių protezų jungtimis, ji skirta vienam naudotojui.

Priemonė naudojama $\varnothing 30$ mm vamzdžiui tvirtai prijungti prie „Blatchford“ įkišamosios piramidės ir leidžia reguliuoti pakreipimo bei pasukimo kampus.

Ypatybės

- Lengva, tvirta, titano konstrukcija

Mobilumo lygis

Priemonė tinka 1–4 mobilumo lygiams (taikomi svorio apribojimai, žr. *Techniniai duomenys*).

Žinoma, būna išimčių, todėl savo rekomendacijoje atsižvelgiame ir į galimas individualias naudojimo aplinkybes, tačiau visi sprendimai turi būti logiškai ir visapusiškai pagrįsti.

1 mobilumo lygis

Naudodamas protezą geba perkelti svorį nuo vienos kojos ant kitos arba eiti lygiu paviršiumi vienodu greičiu. Tipinis ambulatorinis ligois, galintis vaikščioti su apribojimais arba be jų tik gyvenamojoje vietoje.

2 mobilumo lygis

Geba vaikščioti ir įveikti žemas aplinkos kliūtis, pvz., šaligatvio bortelius, laiptus arba nelygius paviršius. Tipinis ambulatorinis ligois, galintis su apribojimais vaikščioti ne tik gyvenamojoje vietoje.

3 mobilumo lygis

Geba vaikščioti kintamu greičiu. Tipinis ambulatorinis ligois, kuris gali vaikščioti ne tik gyvenamojoje vietoje, geba įveikti daugumą aplinkos kliūčių ir gali užsiimti profesine, terapine arba mankštos veikla, dėl kurios protezas turi būti naudojamas intensyviau, nei atliekant įprastus judesius.

4 mobilumo lygis

Geba vaikščioti su protezu tokiu būdu, kuris viršija elementaraus vaikščiojimo įgūdžius, pasižymi stipriais smūgiais, įtempiais ir dideliu energijos kiekiu. Tipiniai vaikų, aktyvių suaugusiųjų arba sportininkų su protezu poreikiai.

Kontraindikacijos

Nėra žinomų kontraindikacijų, jei naudojama pagal šią instrukciją.

Klinikinė nauda

- Leidžia sujungti blauzdos vamzdį su kitais protezo komponentais.

2 Saugos informacija



Šiuo įspėjamoju simboliu pažymėta svarbi saugos informacija, kuria būtina atidžiai vadovautis.



Apie bet kokius galūnės veikimo arba funkcionavimo pakitimus, pvz., per didelį laisvumą arba neįprastus garsus, būtina nedelsiant pranešti priežiūros specialistui.



Visada laikykitės už turėklų, kai leidžiatės laiptais žemyn ir kitais atvejais, kai turėklai įrengti.



Priemonę galima ilgą laiką panardinti į vandenį (tik gėlą). Priemonės naudojimas vandenyje turi atitikti sąlygas, nurodytas *Naudojimo apribojimais*.



Naudotojui neleidžiama koreguoti ar savavališkai keisti priemonės sąrankos.



Naudotoją reikia informuoti, kad pajutus diskomfortą būtina susisiekti su gydytoju.



Siekdami sumažinti susižalojimo riziką dėl varžtinių jungčių gedimo arba atsilaisvinimo, kaskart montuodami būtina kruopščiai nuvalykite varžtų sriegį.



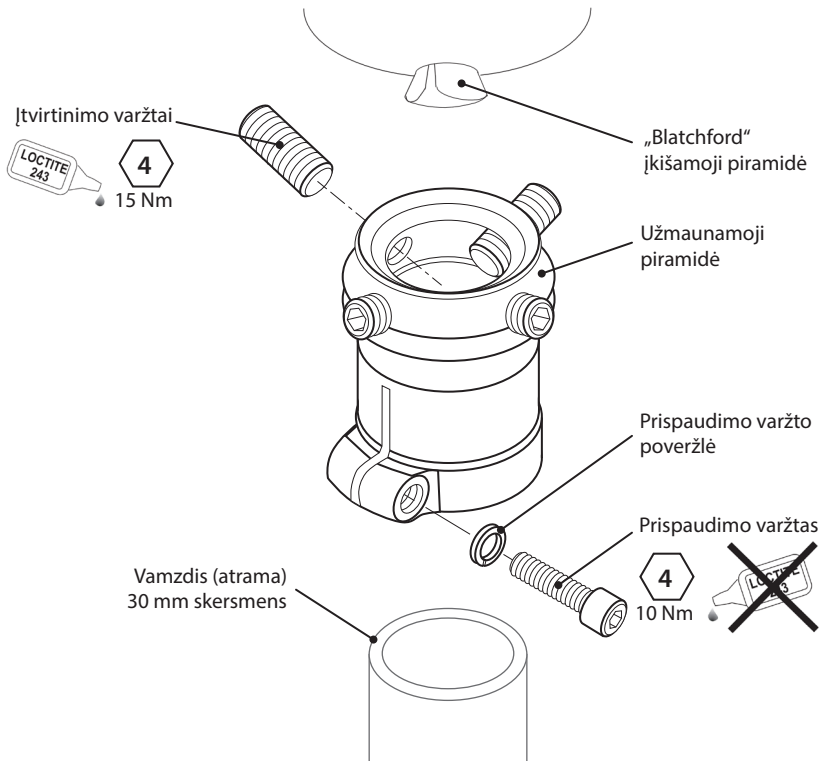
Varžtus visada užveržkite nurodytu sukimo momentu.

3 Konstrukcija

Pagrindinės dalys

- Užmaunamoji piramidė
 - Prispaudimo varžtas
 - Prispaudimo varžto poveržlė
 - Įtvirtinimo varžtai
- | |
|--------------------------|
| Titanas |
| Dengtas plienas |
| Dengtas plienas |
| Dengtas plienas (4 vnt.) |

Komponentų identifikavimas



4 Veikimas

Priemonė leidžia reguliuoti pakreipimo ir pasukimo kampus bei individualiai sulygiuoti galūnę pagal asmens poreikius. Kai įtvirtinimo varžtai yra tvirtai užveržti ir naudojami „Loctite 243“ klijai, priemonė leidžia tvirtai sujungti 30 mm skersmens vamzdį su įkišamosios piramidės adapteriu.

5 Priežiūra

Priemonę reguliariai apžiūrėkite.

Apie bet kokius šios priemonės veikimo pakitimus, pvz., nejprastus garsus arba didelį nusidėvėjimą, praneškite gydytojui ir (arba) priežiūros specialistui.

Informuokite gydytoją ir (arba) priežiūros specialistą apie pasikeitusį kūno svorį ir (arba) mobilumo lygį.

Valymas

Drėgna šluoste ir švelniu muilu nuvalykite išorinius paviršius. NENAUDOKITE stiprių valiklių.

Kiti nurodymai šiame skyriuje skirti tik gydytojui.

Šiuos priežiūros darbus privalo atlikti tik kompetentingi darbuotojai (gydytojas arba tinkamos kvalifikacijos specialistas).

Toliau nurodytus reguliarios priežiūros darbus reikia atlikti ne rečiau nei kasmet.

- Patikrinkite, ar vamzdis neatsilaisvinęs. Jei atsilaisvinęs, išimkite, nuvalykite ir sumontuokite iš naujo.
- Patikrinkite, ar įtvirtinimo varžtai tinkamai užveržti. Jeigu laisvi, išsukite, nuvalykite, užtepkite „Loctite 243“ ir užveržkite tinkamu sukimo momentu; žr. skyrių *Konstrukcija*.
- Patikrinkite, ar nėra defektų, neleidžiančių priemonei tinkamai veikti.

Naudotojas turi perskaityti ir suprasti saugos ir naudotojui skirtą priežiūros informaciją.

Informuokite naudotoją, kad rekomenduojama reguliariai apžiūrėti priemonę, o apie pastebėtus nusidėvėjimo požymius, kurie gali turėti įtakos veikimui, reikia pranešti priežiūros specialistui.

Nurodykite naudotojui informuoti gydytoją ir (arba) priežiūros specialistą apie pasikeitusį kūno svorį ir (arba) mobilumo lygį.

Jei ši priemonė naudojama ekstremaliai veiklai, reikia pakoreguoti priežiūros darbų lygį ir intervalą – jei reikia, kreipkitės dėl rekomendacijų ir techninės pagalbos, kad galėtumėte sudaryti naują priežiūros planą pagal aktyvumo dažnumą ir pobūdį. Planą turi nustatyti tinkamos kvalifikacijos asmuo, atlikdamas vietinį rizikos vertinimą.

6 Naudojimo apribojimai

Numatyta naudojimo trukmė

Reikia atlikti vietinį rizikos vertinimą ir įvertinti aktyvumą bei naudojimą.

Sunkių daiktų kėlimas

Leidžiamas naudotojo svoris ir aktyvumas priklauso nuo nurodytų ribų.

Galimybė naudotojui nešti sunkius daiktus turi būti pagrįsta vietiniu rizikos vertinimu.

Aplinka

Priemonė yra atspari vandeniui iki 1 metro gylyje. Panaudoję aplinkoje, kurioje yra abrazyvinių medžiagų, pvz., smėlio ar žvyro, kruopščiai nuskalaukite gėlu vandeniu, kad išvengtumėte judamųjų dalių spartesnio dėvėjimosi arba pažeidimo. Kruopščiai nuskalaukite panaudoję sūriame arba chlorintame vandenyje.

Naudokite tik nuo $-15\text{ }^{\circ}\text{C}$ iki $50\text{ }^{\circ}\text{C}$ temperatūroje.



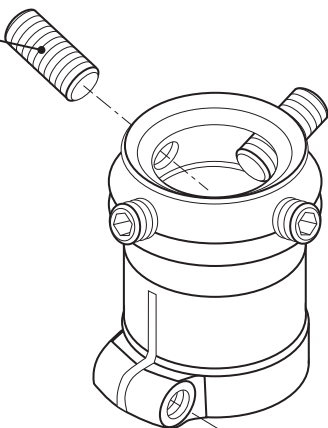
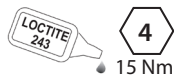
Tinkama panardinti

7 Pritaikymo patarimai

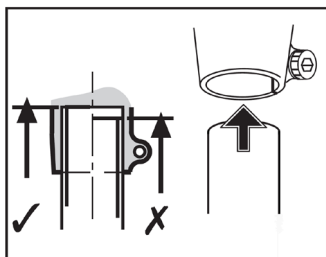
Nurodymai šiame skyriuje skirti tik gydytojui.

Nustatykite kuo arčiau konstrukcijos linijos.

Įtvirtinimo varžtai



Prispaudimo varžtas



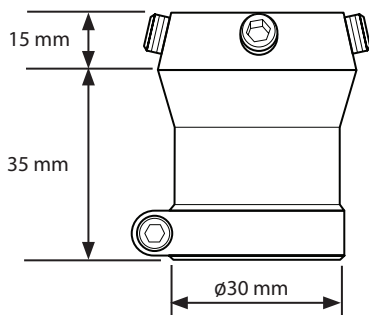
Požymis	Sprendimas
Pasikartojantys garsai, sklindantys iš priemonės sandūrų.	Patikrinkite, ar visi lygiavimo varžtai ir vamzdžio veržiklis patikimai užveržti. Užtepkite „Loctite“, kaip nurodyta, ir užveržkite tinkamu sukimo momentu. Jungiami paviršiai turi būti švarūs, o vamzdžio galas – nupjautas statmenai.
Adapteris pasislenka iš savo vietos.	Naudotojas nebegali naudoti priemonės, kol ji bus sureguliuota, pataisyta arba pakeista.

8 Techniniai duomenys

Darbinės ir laikymo temperatūros diapazonas	nuo -15 °C iki 50 °C
Komponento svoris	92 g
Mobilumo lygis	1–4
Didžiausias naudotojo svoris	145 kg / 1–4 150 kg / 1–3
Tvirtinimo tipas	Proksimalinis – užmaunamoji piramidė („Blatchford“) Distalinis – 30 mm skersmens vamzdis
Reguliuavimo diapazonas	360° sukimas apie ašį ±7° posvyris nuo vertikalios padėties
Ilgis	15 mm (50 mm)

Derinimo ilgis

Priemonė yra fiksuoto ilgio.



Laikymas ir priežiūra

Sandėliuoti ilgą laiką galima sausoje, kambario temperatūros patalpoje.

9 Informacija apie užsakymą

Priemonė	Dalies numeris
Ø30 mm vamzdžio veržiklio adapteris su užmaunamąja piramide	AK30M1

Atsakomybė

Gamintojas rekomenduoja naudoti priemonę tik nurodytomis sąlygomis ir numatytais tikslais. Priemonę būtina prižiūrėti vadovaujantis kartu su ja pateikta naudojimo instrukcija. Gamintojas neatsako už jokiais neigiamas pasekmes, kurias sukėlė gamintojo nepatvirtinti komponentų deriniai.

CE atitiktis

Šis gaminys atitinka Europos reglamento (ES) 2017/745 dėl medicinos priemonių reikalavimus. Vadovaujantis klasifikavimo taisyklėmis, nurodytomis reglamento VIII priede, šis gaminys priskiriamas I klasės priemonėms. ES atitikties deklaraciją galima atsisiųsti šioje svetainėje: www.blatchford.co.uk



Medicinos priemonė



Vienas pacientas –
daugkartinis naudojimas

Suderinamumas

Derinimas su „Blatchford“ gaminiais patvirtintas remiantis bandymais, įskaitant konstrukcijos bandymą, atliktais pagal susijusius standartus ir Medicinos priemonių reglamentą (MPR), matmenų suderinamumu ir stebimomis eksploatacinėmis savybėmis.

Derinimas su alternatyviais CE ženklų pažymėtais gaminiais turi būti atliekamas atsižvelgiant į gydytojo atliktą dokumentuotą vietinį rizikos vertinimą.

Garantija

Priemonei suteikiama 24 mėnesių garantija.

Naudotojas turi žinoti, kad dėl pakeitimų ar modifikacijų, kurie nėra aiškiai patvirtinti, gali būti panaikinta garantija, naudojimo licencijos ir išimty.

Dabartinį visą garantijos pareiškimą žr. „Blatchford“ svetainėje.

Pranešimas apie rimtus incidentus

Jei mažai tikėtina atveju įvyktų rimtas incidentas, susijęs su šia priemone, apie jį reikia pranešti gamintojui ir kompetentingai nacionalinei institucijai.

Su aplinkosauga susiję aspektai

Šis gaminys pagamintas iš perdirbamos medžiagos. Kai įmanoma, komponentus reikia atiduoti perdirbti pagal vietos atliekų tvarkymo reglamentus.

Pakuotės etiketės išsaugojimas

Gydytojui rekomenduojama išsaugoti pakuotės etiketę kaip pateiktos priemonės įrodymą.

Prekių ženklų patvirtinimo informacija

„Blatchford“ yra „Blatchford Products Limited“ registruotasis prekių ženklas.

Registruotas gamintojo adresas

Blatchford Products Limited, Lister Road, Basingstoke RG22 4AH, UK.

Sisukord	83
1 Kirjeldus ja kasutusotstarve	84
2 Ohutusteave.....	85
3 Konstruksioon	86
4 Otstarve	86
5 Hooldus.....	87
6 Kasutuspiirangud.....	88
7 Sobitamisinõuanded.....	89
8 Tehnilised andmed	90
9 Tellimisteave.....	90

1 Kirjeldus ja kasutusotstarve

Kui pole öeldud teisiti, on käesolev kasutusjuhend mõeldud proteesimeistrile ja kasutajale. Termin *seade* viitab käesolevas dokumendis $\varnothing 30$ mm torukinnitusega pesapüramiidadapterile. Lugege käesolev juhend tervenisti läbi ja tehke see endale selgeks. Pöörake erilist tähelepanu ohutusteabele ja hooldusjuhistele.

Kasutamine

Seade on mõeldud kasutamiseks üksnes osana alajäsemeproteesist ühe kasutaja poolt. Seadme abil ühendatakse $\varnothing 30$ mm toru kindlalt Blatchfordi pistikpüramiidi külge ning see võimaldab kohandada kalde- ja pöördnurka.

Omadused

- Kerge ja tugev titaankonstruksioon

Aktiivsusgrupp

Seade sobib aktiivsusgruppide 1–4 jaoks (järgida tuleb kehakaalu piiranguid, vt *Tehnilised andmed*). Loomulikult on erandeid ja hoolimata meie soovitudest tuleb alati kaaluda iga konkreetse olukorra individuaalseid asjaolusid, kuid iga otsuse taga peab olema selge ja ammendav põhjendus.

Aktiivsusgrupp 1

Patsient on suuteline või võimeline kasutama proteesi liikumiseks või kõndimiseks tasasel pinnal muutumatu kõnnikiirusega. Iseloomustab patsienti, kes suudab kõndida vaid lühikeste sammudega või aeglase kõnnikiirusega.

Aktiivsusgrupp 2

Patsient on võimeline või potentsiaalselt võimeline kõndima ning iseseisvalt ületama madalamaid igapäevases keskkonnast tulenevaid takistusi (äärekivid, trepid või ebatasased pinnad). Iseloomustab patsienti, kes suudab kõndida lühiajaliselt kiirema tempoga.

Aktiivsusgrupp 3

Patsient on suuteline või võimeline kõndima muutuva kõnnikiirusega. Iseloomustab patsienti, kes on suuteline kõndima ka kiire kõnnikiirusega, ületama enamikku igapäevases keskkonnast tulenevatest takistustest ning võib tegeleda kutse-, teraapia- või treeningtegevustega, mis seavad proteesile lihtsalt liikumise abistamisest suuremad nõudmised.

Aktiivsusgrupp 4

Patsient on suuteline või võimeline kõndima proteesiga viisil, mis ületab elementaarseid kõndimisoskusi ning nõuab suuremat löögi- või pingetaluvust või energiataset. Iseloomustab lapse, aktiivse täiskasvanu või sportlase proteetilisi vajadusi.

Vastunäidustused

Teadaolevaid vastunäidustusi pole, kui kasutada kooskõlas käesoleva juhendiga.

Kliiniline kasu

- Võimaldab ühendada sääretoru proteesi teiste osadega.

2 Ohutusteave



Selle hoiatussümboliga on esile tõstetud oluline ohutusteave, mida tuleb hoolikalt järgida.



Kui jäsemeproteesi omadused või talitlus peaks muutuma (nt liigne lötk või ebatavalised helid), tuleks sellest viivitamatult teenusepakkujale teada anda.



Trepist alla kõndides hoidke kinni käsipuust (ja alati ka muudel juhtudel, kui see on olemas).



Seade talub pikaajalist vettekastmist ning seda võib kasta ainult magevette. Seadme vees kasutamisel järgige kindlasti tingimusi, mis on toodud jaotises *Kasutuspiirangud*.



Kasutaja ei tohi seadme seadistust ise reguleerida ega muuta.



Kui kasutaja seisund muutub, peaks ta sellest viivitamatult proteesimeistrile teada andma.



Poltliidete purunemisest või lõdvenemisest põhjustatud kehavigastuste ohu vähendamiseks puhastage kindlasti enne iga poldi paigaldamist põhjalikult keermeid.



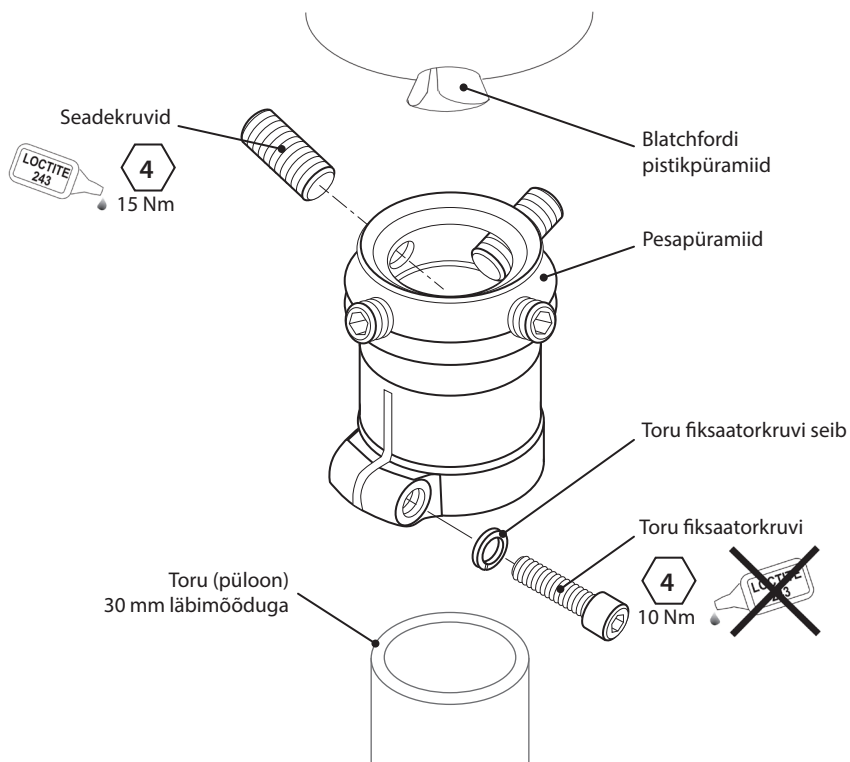
Pingutage kruvid alati nõuetekohase pingutusmomendiga.

3 Konstruktsioon

Peamised osad

- Pesapüramiid Titaan
- Toru fiksaator kruvi Plakeeritud teras
- Toru fiksaator kruvi seib Plakeeritud teras
- Seade kruvid Plakeeritud teras (4 tk)

Seadme osad



4 Otstarve

Seade võimaldab reguleerida kalde- ja pöördenurka, et jäsemeproteesi joondumus kasutajale sobivaks seadistada. Kui seade kruvid on paigaldatud, kasutades nõuetekohast pingutusmomenti ja keermeliimi Loctite 243, ühendab seade kindlalt 30 mm läbimõõduga toru pistikpüramiidadapteri külge.

5 Hooldus

Seadet tuleb regulaarselt visuaalselt kontrollida.

Kui seadme omadused peaksid muutuma (nt ebatavalised helid või märkimisväärne kulumine), teatage sellest proteesimeistrile/teenusepakkujale.

Teavitage proteesimeistrit/teenusepakkujat igasugustest kehakaalu ja/või aktiivsusgrupi muutumistest.

Puhastamine

Kasutage välispindade puhastamiseks niisket lappi ja pehmetoimelist seepi. ÄRGE kasutage tugevatoimelisi puhastusvahendeid.

Käesoleva jaotise ülejäänud juhised on mõeldud ainult proteesimeistrile.

Neid hooldustöid võib teha ainult pädev spetsialist (proteesimeister või asjakohase väljaõppega tehnik).

Järgmised korralise hoolduse toimingud tuleb teha vähemalt kord aastas.

- Kontrollige toru pingust. Kui see on lödvenenud, eemaldage, puhastage ja paigaldage tagasi.
- Kontrollige seadekruvide pingust. Kui need on lödvenenud, eemaldage ja puhastage, kandke nendele keermeliimi Loctite 243 ja pingutage nõuetekohase momendiga, vt jaotist *Konstruktsioon*.
- Kontrollige nõuetekohast talitlust mõjutavate defektide suhtes.

Veenduge, et kasutaja oleks ohutusalase ja kasutajale suunatud hooldusteabe täielikult läbi lugenud ning endale selgeks teinud.

Soovitage kasutajal seadet regulaarselt visuaalselt kontrollida ning teenusepakkujat teavitada, kui ta märkab kulumisjälgi, mis võivad mõjutada seadme talitlust.

Paluge kasutajal teavitada proteesimeistrit/teenusepakkujat igasugustest kehakaalu ja/või aktiivsusgrupi muutumistest.

Kui seadet kasutatakse äärmiselt intensiivselt, tuleb hooldustööde ulatus ja välbad üle vaadata ning vajadusel küsida nõu ja tehnilist tuge, et kavandada uus hooldusgraafik, mis vastab intensiivsete tegevuste sagedusele ja olemusele. Selle tarbeks peaks asjakohase kvalifikatsiooniga spetsialist koostama kohaliku riskianalüüsi.

6 Kasutuspiirangud

Kavandatud kasutusiga

Koostada tuleks kohalik riskianalüüs, mis arvestab aktiivsust ja kasutust.

Raskuste tõstmine

Kasutaja kehakaal ja aktiivsus peab jääma nimetatud piiridesse.

Kasutajale lubatud raskuste tõstmise piirid peaksid põhinema kohalikul riskianalüüsil.

Keskkond

Seade on veekindel kuni 1 m sügavusel. Abrasiivses (nt liiva või kruusa sisaldavas) keskkonnas kasutamise järel loputage põhjalikult puhta veega, et vältida liikuvate osade kulumist või kahjustamist. Loputage põhjalikult puhta veega pärast kasutamist mere- või kloorivees.

Kasutamiseks üksnes vahemikus $-15\text{ }^{\circ}\text{C}$ kuni $50\text{ }^{\circ}\text{C}$.

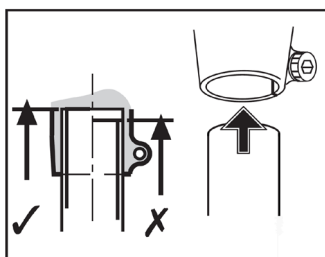
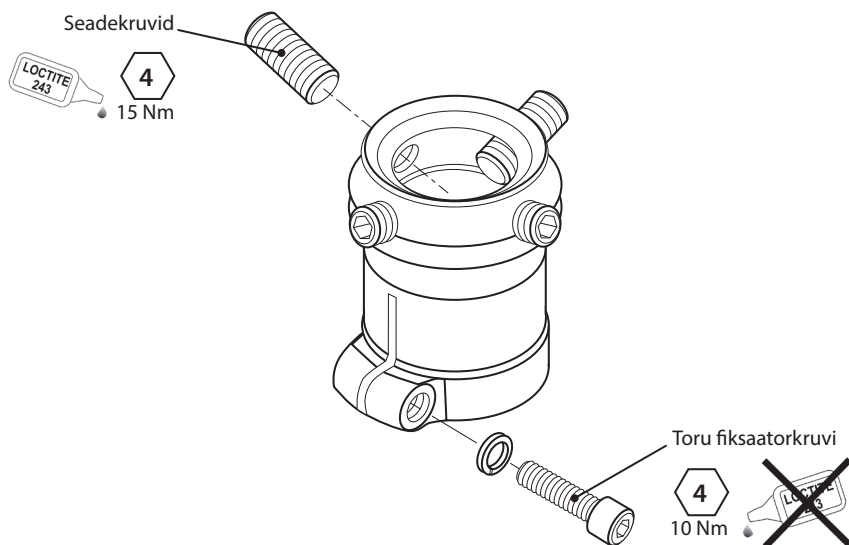


Lubatud vette kasta

7 Sobitamiskoostanded

Käesoleva jaotise juhised on mõeldud ainult proteesimeistritele.

Paigutage tsentrile nii lähedale kui praktiliselt võimalik.



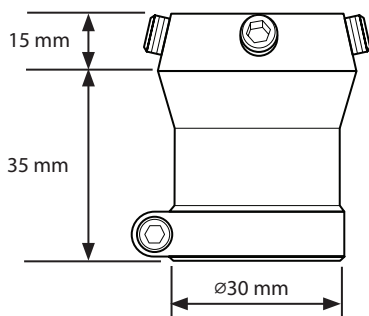
Sümptom	Lahendus
Korduv heli seadme liitekohtades.	Kontrollige kõigi seadistuskruvide ja torufiksaatori pingust. Kasutage keermeliimi Loctite ja pingutage nõuetekohase momendiga. Veenduge, et kontaktpinnad on puhtad ja toru ots on lõigatud täisnurkselt.
Adapter liigub seadistatud asendist välja.	Kasutaja ei tohi seadet kasutada, kuni see on reguleeritud, remonditud või asendatud.

8 Tehnilised andmed

Kasutamise- ja hoiustamistemperatuur:	-15 °C kuni 50 °C
Komponendi mass:	92 g
Aktiivsusgrupp:	1–4
Kasutaja max kehakaal:	145 kg / 1–4 150 kg / 1–3
Kinnituse tüüp:	proksimaalne – pesapüramiid (Blatchford) Distaalne – 30 mm läbimõõduga toru
Reguleerimisulatus:	360° aksiaalne pöörlemine ±7° vertikaalne kalle
Pikkus:	15 mm (50 mm)

Sobituspikkus

Seade on fikseeritud pikkusega.



Hoiustamine ja käitlemine

Pikaajalisel hoiustamisel veenduge, et toode oleks kaitstud niiskuse eest ja toatemperatuuril.

9 Tellimisteave

Seade	Tootekood
Ø30 mm torukinnitusega pesapüramiidadapter	AK30M1

Vastutus

Tootja soovib kasutada seadet üksnes nimetatud tingimustes ja kasutusotstarbel. Seadet tuleb hooldada kooskõlas seadme komplektis oleva kasutusjuhendiga. Tootja ei vastuta mingisuguste kõrvaltoimete eest, mis on põhjustatud komponentide kombinatsioonist, mida tootja pole heaks kiitnud.

CE-vastavus

Toode on kooskõlas Euroopa meditsiiniseadmete määruse EL 2017/745 nõuetega. Toode on liigitatud I klassi seadmeks vastavalt määruse VIII lisas toodud liigitamisreeglitele. Euroopa Liidu vastavusdeklaratsiooni saate alla laadida järgmiselt aadressilt: www.blatchford.co.uk



Meditsiiniseade



Üks patsient – mitu kasutuskorda

Ühilduvus

Kasutamine koos Blatchfordi toodetega on heaks kiidetud, tuginedes kooskõlas asjaomaste standardite ja meditsiiniseadmete direktiiviga tehtud katsetele (sh konstruktsioonikatse, mõõtmete ühilduvus ja toimivuse jälgimine praktikas).

Kasutamine koos mõne teise CE-märgisega tootega nõuab eelnevat dokumenteeritud kohalikku riskianalüüsi proteesimeistri poolt.

Garantii

Seadmel on 24-kuuline garantii.

Kasutaja peab olema teadlik sellest, et muudatused või täiendused, milleks pole saadud selgesõnalist luba, võivad garantii, kasutusload ja vabastused kehtetuks muuta.

Kõiki kehtivaid garantiitingimusi vt Blatchfordi veebisaidilt.

Ohujuhtumitest teatamine

Seadmega seotud ohujuhtumitest, mis on äärmiselt ebatõenäolised, tuleks teavitada tootjat ja oma riigi pädevat asutust.

Keskkonnaaspektid

Toode on valmistatud ringlussevõetavast materjalist. Kui võimalik, tuleks komponendid kooskõlas kohalike jäätmekäitluseeskirjadega ringlusse võtta.

Pakendi etiketi säilitamine

Proteesimeister peaks pakendi etiketi alles hoidma ning säilitama seda seadme tarnimise dokumendina.

Kaubamärgid

Blatchford on ettevõtte Blatchford Products Limited registreeritud kaubamärk.

Tootja registriaadress

Blatchford Products Limited, Lister Road, Basingstoke RG22 4AH, Ühendkuningriik.

blatchford.co.uk/distributors

Blatchford Products Ltd.

Unit D Antura
Kingsland Business Park
Basingstoke
RG24 8PZ
UNITED KINGDOM
Tel: +44 (0) 1256 316600
Fax: +44 (0) 1256 316710
Email: customer.service@blatchford.co.uk
www.blatchford.co.uk

Blatchford Inc.

1031 Byers Road
Miamisburg
Ohio 45342
USA
Tel: +1 (0) 800 548 3534
Fax: +1 (0) 800 929 3636
Email: info@blatchfordus.com
www.blatchfordus.com

Blatchford Europe GmbH

Am Prime-Parc 4
65479 Raunheim
GERMANY
Tel: +49 (0) 9221 87808 0
Fax: +49 (0) 9221/87808 60
Email: info@blatchford.de
www.blatchford.de

Email: contact@blatchford.fr
www.blatchford.fr

Endolite India Ltd.

A4 Naraina Industrial Area
Phase - 1
New Delhi
INDIA – 110028
Tel: +91 (011) 45689955
Fax: +91 (011) 25891543
Email: endolite@vsnl.com
www.endoliteindia.com

Ortopro AS

Hardangervegen 72
Seksjon 17
5224 Nesttun
NORWAY
Tel: +47 (0) 55 91 88 60
Email: post@ortopro.no
www.ortopro.no



Blatchford Europe GmbH
Am Prime-Parc 4
65479 Raunheim Germany

