

BMK2 Knee

Instructions for Use

BMK2

EN	Instructions for Use	2
FR	Instructions d'utilisation	20
DE	Gebrauchsanweisung	38
IT	Istruzioni per l'uso	56
ES	Instrucciones de uso	74
NL	Gebruiksaanwijzing	92
PL	Instrukcje użytkownika	110
PT	Instruções de utilização	128
CS	Návod k použití	146

Contents



Contents	2
1 Description and Intended Purpose	3
2 Safety Information	4
3 Construction	5
4 Function.....	5
5 Maintenance	6
6 Limitations on Use	7
7 Bench Alignment.....	8
8 Alignment Advice and Stability Adjustment.....	9
9 Dynamic Alignment	10
10 Maintenance of Stabilizing Mechanism.....	11
11 Maintenance of Extension Buffer	15
12 Troubleshooting	16
13 Technical Data	16
14 Ordering Information	17
14.1 Spare Parts.....	17

1 Description and Intended Purpose

These instructions are for the clinician/practitioner.

The term *device* is used throughout these instructions for use to refer to BMK2 knee.

Ensure that the user understands all instructions for use, drawing particular attention to the maintenance and safety information.

Users must be given gait training before using this device.

Application

This device is to be used exclusively as part of a lower limb prosthesis.

The device is a compact weight activated knee with an adjustable spring extension bias.

This device is intended for a single user.

Features

- Weight activated adjustable stance control
- Adjustable extension bias control incorporating terminal impact damping
- Maximum flexion angle 130°

Activity Level

This device is for Activity Level 1 and 2 users only. For maximum user weight see Section 13 *Technical Data*.

Activity Level 1

Has the ability or potential to use a prosthesis for transfers or ambulation on level surfaces at fixed cadence. Typical of the limited and unlimited household ambulator.

Activity Level 2

Has the ability or potential for ambulation with the ability to traverse low-level environmental barriers such as curbs, stairs, or uneven surfaces. Typical of the limited community ambulator.

Activity Level 3

Has the ability or potential for ambulation with variable cadence. Typical of the community ambulator who has the ability to traverse most environmental barriers and may have vocational, therapeutic, or exercise activity that demands prosthetic utilization beyond simple locomotion.

Activity Level 4

Has the ability or potential for prosthetic ambulation that exceeds basic ambulation skills, exhibiting high impact, stress, or energy levels. Typical of the prosthetic demands of the child, active adult, or athlete.

Contraindications

This device is not suitable for users with:

- Extreme muscular weakness, contractures that cannot be correctly accommodated, or proprioceptive dysfunction including poor balance.
- Contralateral joint instabilities or pathology.
- Complicated conditions involving multiple disabilities.
- Users, including bilateral transfemoral amputees, who require a yielding function from the knee to descend stairs or to sit. This can result in damage of the brake mechanism that can adversely affect stability and durability.

Clinical Benefits

- Stabilizing knee activates smoothly on weight bearing to give security when standing and when traversing uneven ground. It then releases cleanly at toe off.
- Resilient action of stabilizing mechanism gives limited stance flexion which reduces shock at heel strike.

2 Safety Information



This warning symbol highlights important safety information which must be followed carefully.



Any changes in the performance or function of the knee e.g. restricted movement, non-smooth motion or unusual noises should be immediately reported to your service provider. During the terminal swing immediately before heel strike, some impact noise may be heard due to the extension assist as the limb reaches full extension.



Always use a hand rail when descending stairs and at any other time if available. Avoid exposure to extreme heat and/or cold.



The device is not intended to be used in water or as a shower prosthesis. If the knee comes into contact with water wipe dry immediately.



The device is not suitable for extreme sports, running or cycle racing, ice and snow sports, extreme slopes and steps. Any such activities undertaken are done so completely at the users' own risk.



Assembly, maintenance and repair of the device must only be carried out by a suitably qualified clinician.



When servicing the device make sure there is no grease in the brake drum.



Ensure only suitably retrofitted vehicles are used when driving. All persons are required to observe their respective driving laws when operating motor vehicles.



The user must not adjust or tamper with the setup of the device.



The user should be advised to contact their clinician if their condition changes.



Be aware of finger trap hazard at all times.



Any excessive changes in heel height after finalization of alignment may adversely affect limb function.

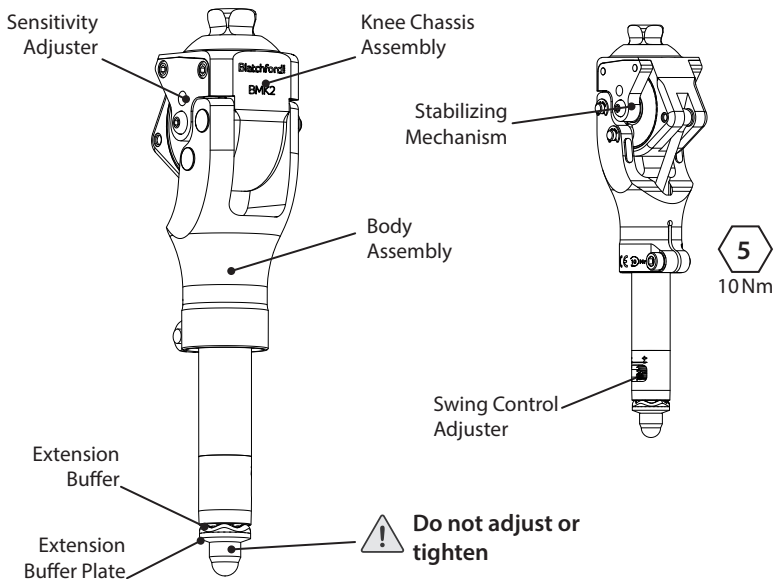
3 Construction

Principal Parts

- Body Assembly (aluminum, stainless steel, polyurethane, felt)
- Knee Chassis Assembly (aluminum, stainless steel)
- Stabilizing Mechanism (aluminum, bronze, acetal homopolymer, polyurethane, synthetic rubber)

Note... The friction material in the stabilizing mechanism contains no asbestos.

Component Identification



4 Function

The knee is weight activated and the sensitivity can be customized to suit the stability requirements of the user.

Swing control is adjustable by altering the compression on a coil spring controlling heel rise and extension bias.

The device provides stance flexion during brake activation as a result of the resilience of the brake band mechanism.

5 Maintenance

Maintenance must be carried out by competent personnel.

It is recommended that the following maintenance is carried out annually:

- Check all non-adjuster screws for tightness (see Construction section) (DO NOT tighten the covered nut at the distal end).
- Clean the brake pad and replace the extension stops (see Section 10 *Maintenance of Stabilizing Mechanism* for procedure).
- In the event of unusual noises such as squeaks and creaks and/or reduced stability, carry out maintenance of the stabilizing mechanism, see Section 10 *Maintenance of Stabilizing Mechanism*. If noises persist contact your Blatchford representative.
- Wear and tear on the extension buffer is acceptable. If excessive noise is present at full extension replace the extension buffer. See Section 11 *Maintenance of Extension Buffer*.
- Check for excessive Medio-Lateral play of the chassis.
- If the trailing edge of the brake band pad is worn down to the plastic of the brake band, replace the complete brake band. (Note: Individual pads cannot be replaced.)
- Ensure orientation of brakeband is correct on reassembly. Always check stability before using.

The user must be handed the User Guide supplied, and be advised to report the following to the practitioner:

- Any changes in body weight or activity level
- Any changes in performance of this device

Changes in performance may include:

- Restricted swing
- Changes in smoothness of swing
- Reduced stability during stance
- Any unusual noise

Cleaning

Use a damp cloth and mild soap to clean outside surfaces, DO NOT use aggressive cleansers. Thoroughly dry before use.

6 Limitations on Use

Intended Life

Service life of the product is covered by the warranty period - a local risk assessment should be carried out based upon activity and usage.

Lifting Loads

User weight and activity is governed by the stated limits.

Load carrying by the user should be based on a local risk assessment.

Note... The device is weight activated and carrying loads may cause the stance support to engage more readily.

Environment

Avoid exposing the device to corrosive elements such as water, acids and other liquids. Also avoid abrasive environments such as those containing sand for example as these may promote premature wear.

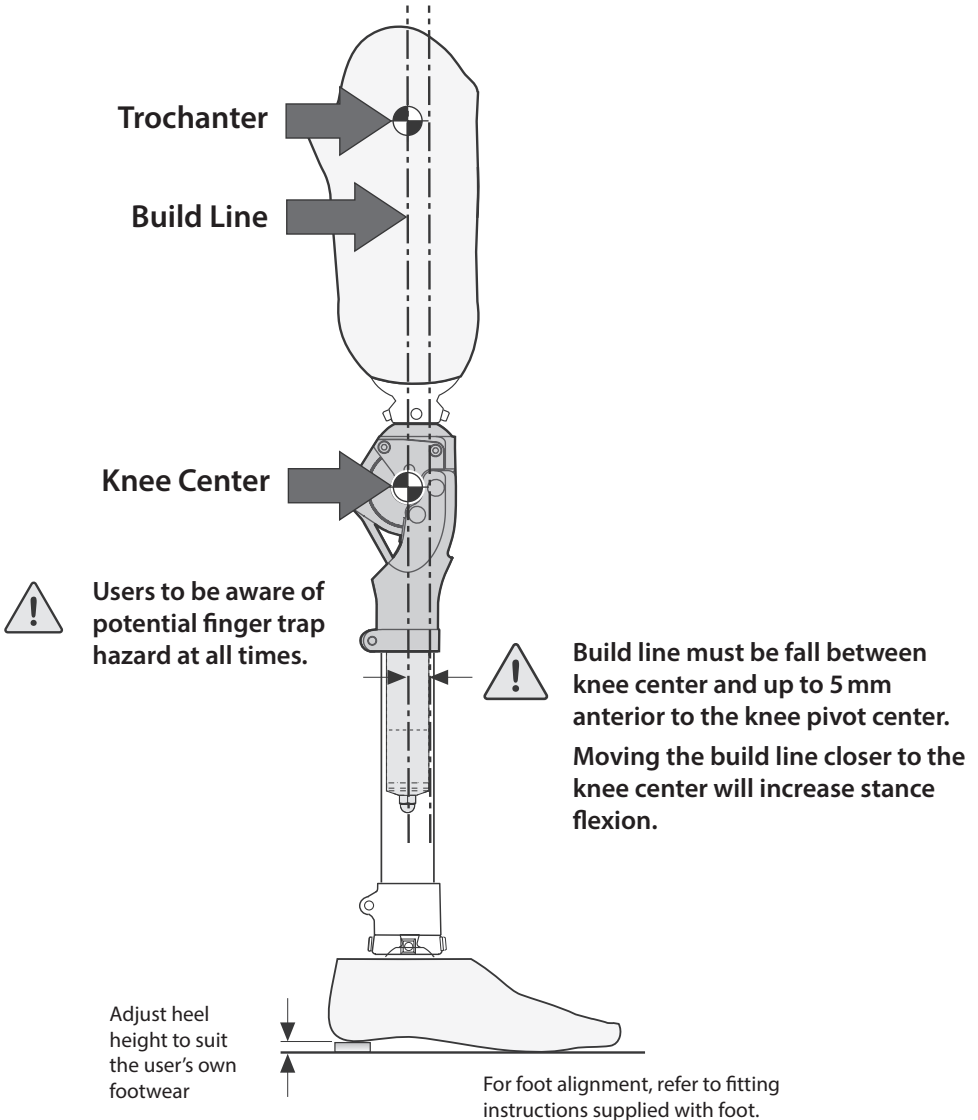


Suitable for outdoor use

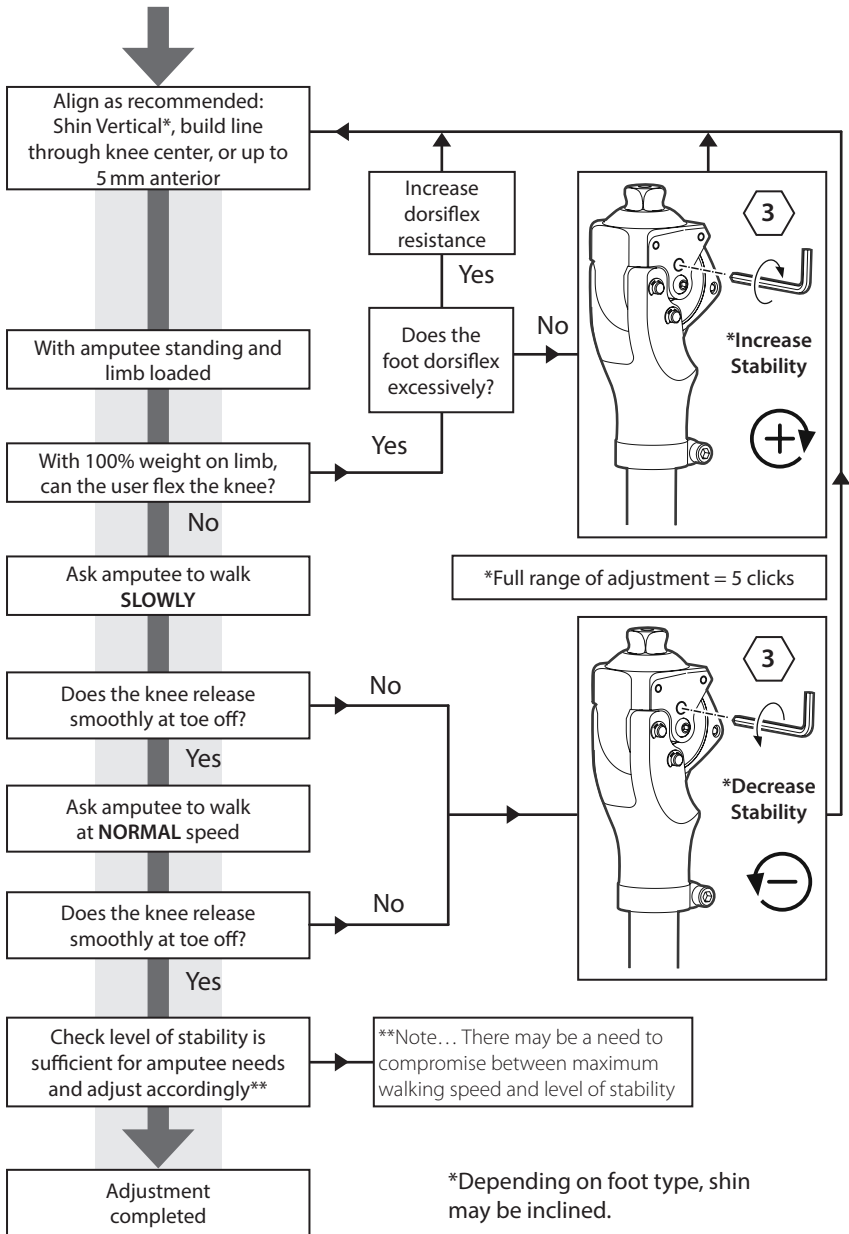
Exclusively for use between -15 °C and 50 °C
(5 °F and 122 °F).

7 Bench Alignment

When aligning the prosthesis for use with the device, position of the build line is critical. The knee should be aligned so that it is geometrically stable. With flexion fully accommodated in the socket, the build line should pass through the trochanter and knee center, or in a line parallel to this, up to 5 mm anterior of the knee center.



8 Alignment Advice and Stability Adjustment

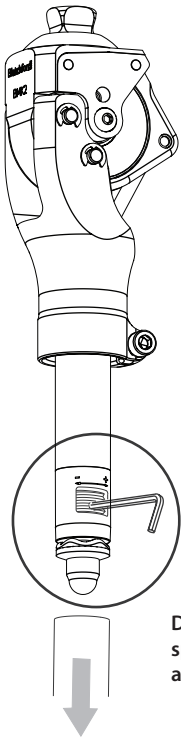


9 Dynamic Alignment

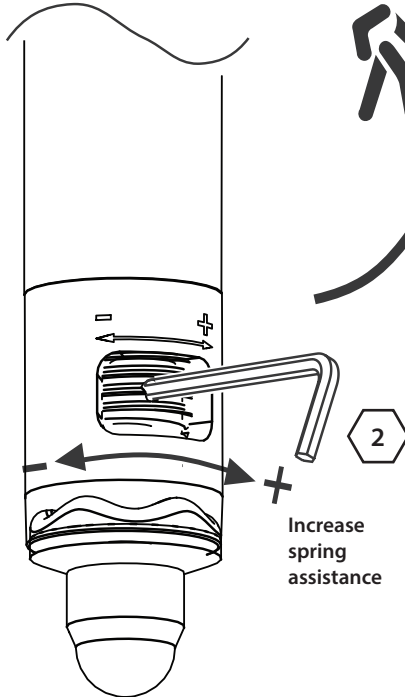
Swing Control Adjustment (Extension Bias)

Note... If operated by hand, the engagement of the terminal impact damping may be felt immediately before full extension; this is normal.

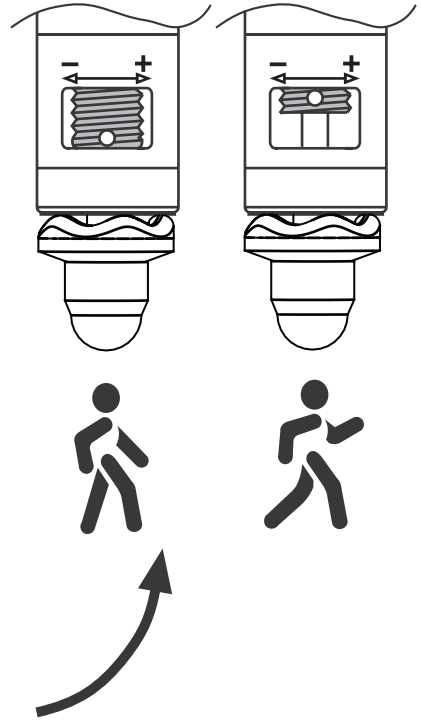
Situation	Solution
Heel rise too high during swing or device does not fully extend during swing.	Increase spring assistance
Heel rise too low during swing or user experiences terminal impact.	Decrease spring assistance




Decrease
spring
assistance




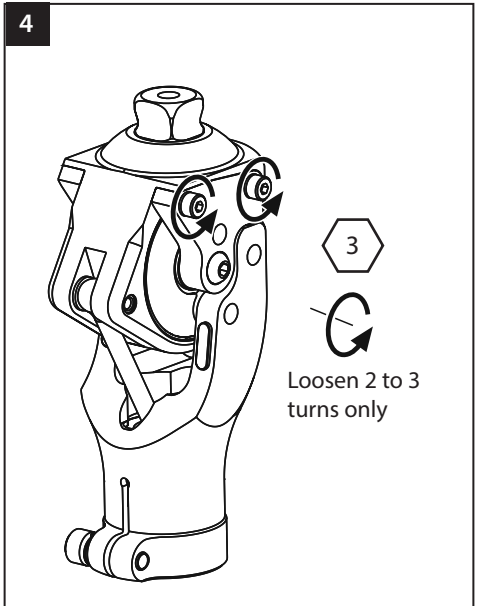
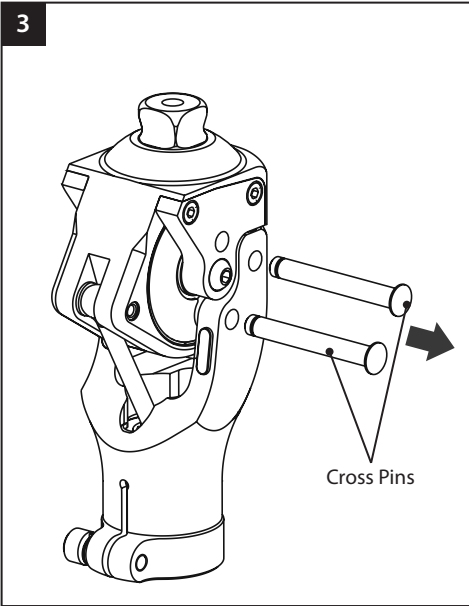
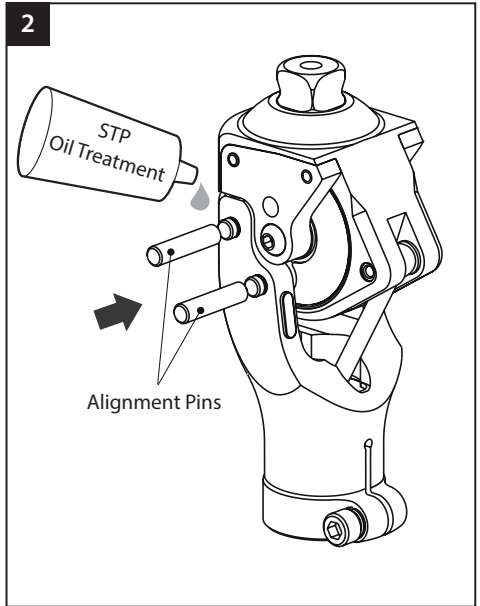
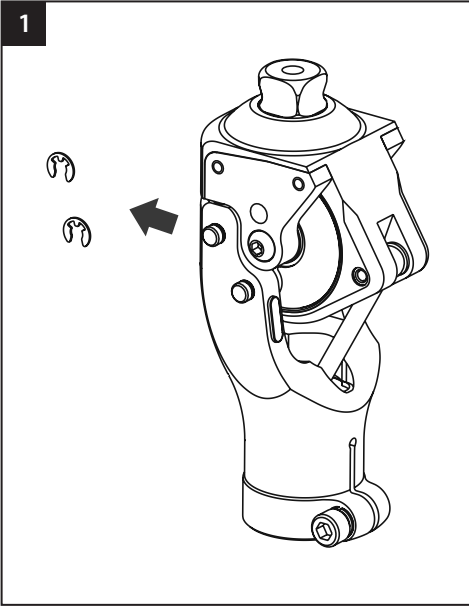
Increase
spring
assistance

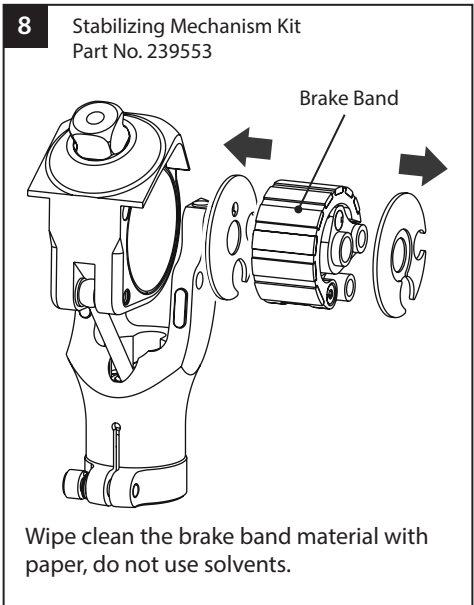
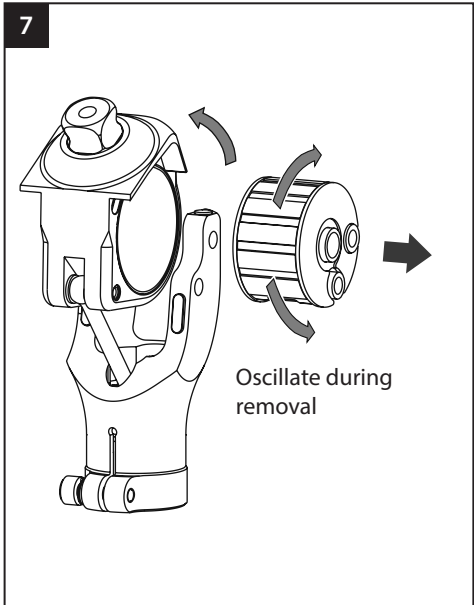
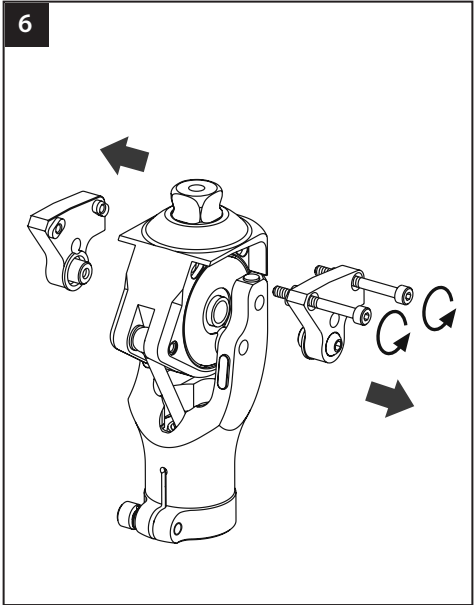
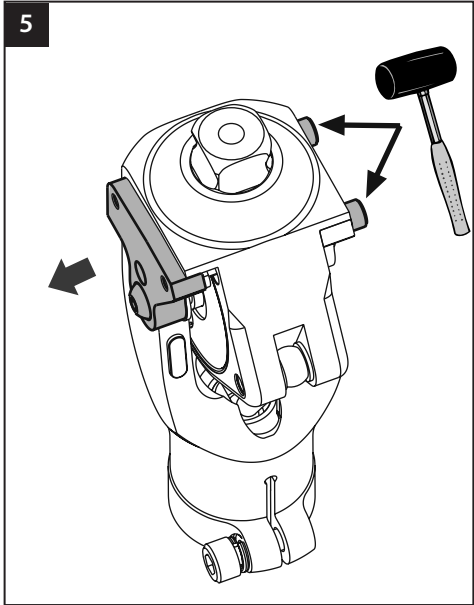


10 Maintenance of Stabilizing Mechanism

 Use appropriate health and safety equipment at all times including extraction facilities.

 Be aware of finger trap hazard at all times.





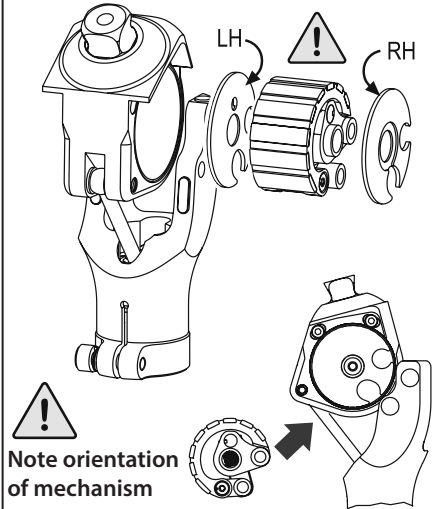
9

Clean bore with suitable solvent.

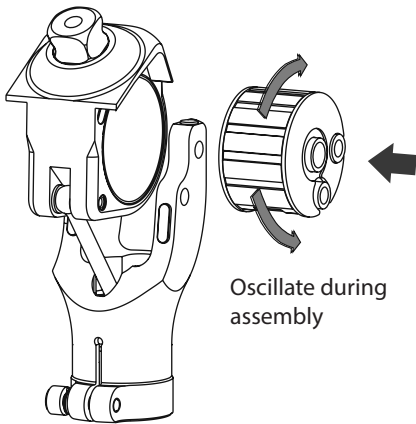


10

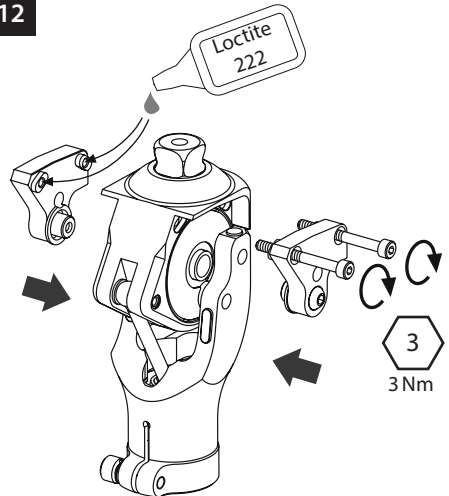
Re-assembly



11

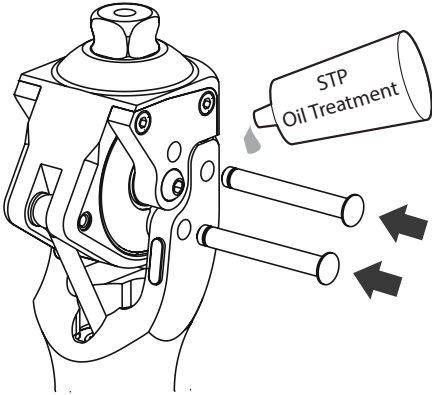


12



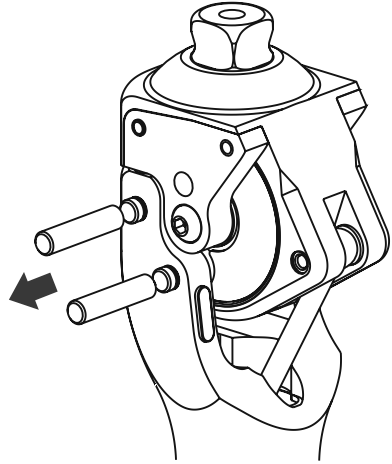
13

Apply a thin smear of lubricant (Part No. 928105) to the cross pins.

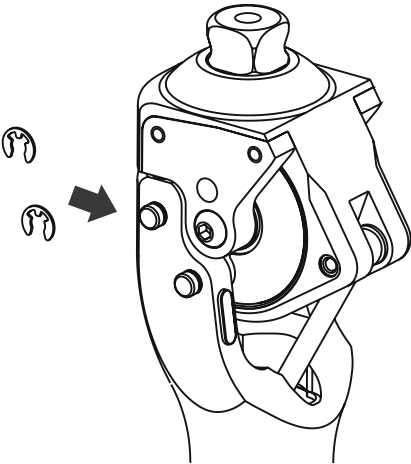


Make sure that no lubricant seeps into the brake drum. This may cause the device to become unstable.

14



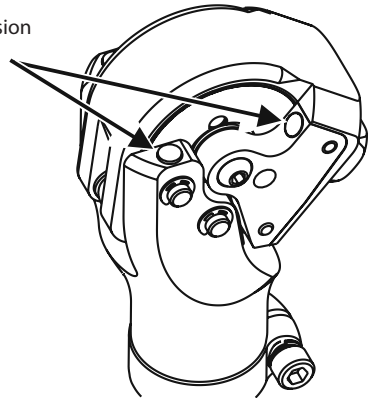
15



16

Replace all 4 extension stops annually. Extension stop kit Part No 239453

Extension Stops



Following maintenance it is important to review the user's stability adjustment. Refer to the flowchart in the Alignment Advice and Stability Adjustment section.

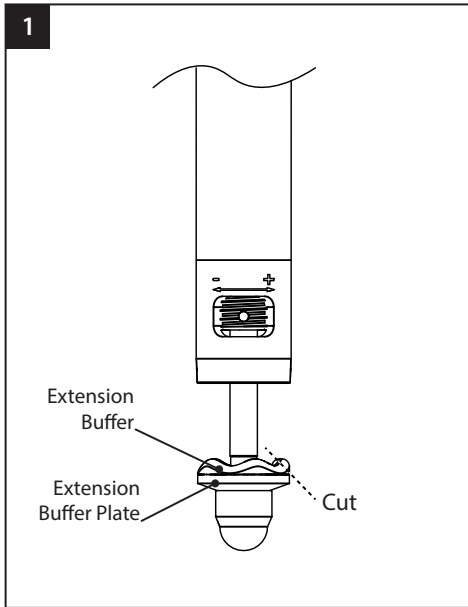
11 Maintenance of Extension Buffer



Use appropriate health and safety equipment at all times including extraction facilities.

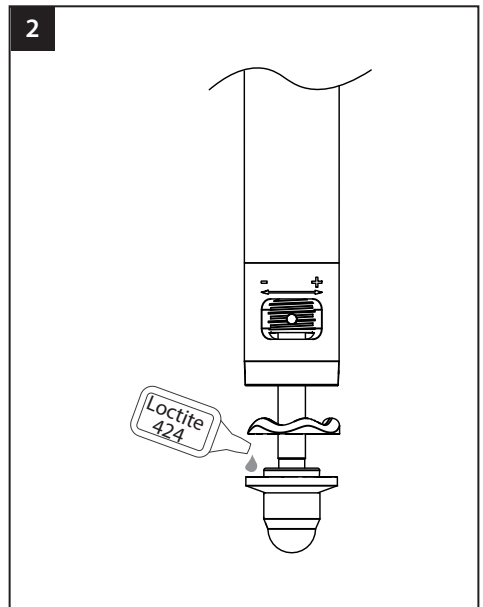


Be aware of finger trap hazard at all times.



Using a knife, cut and remove the old extension buffer.

Clean the top surface of the extension buffer plate using a suitable solvent.



Stretch the new extension buffer over the the extension buffer plate.

Secure the extension buffer to the extension buffer plate with Loctite 424.

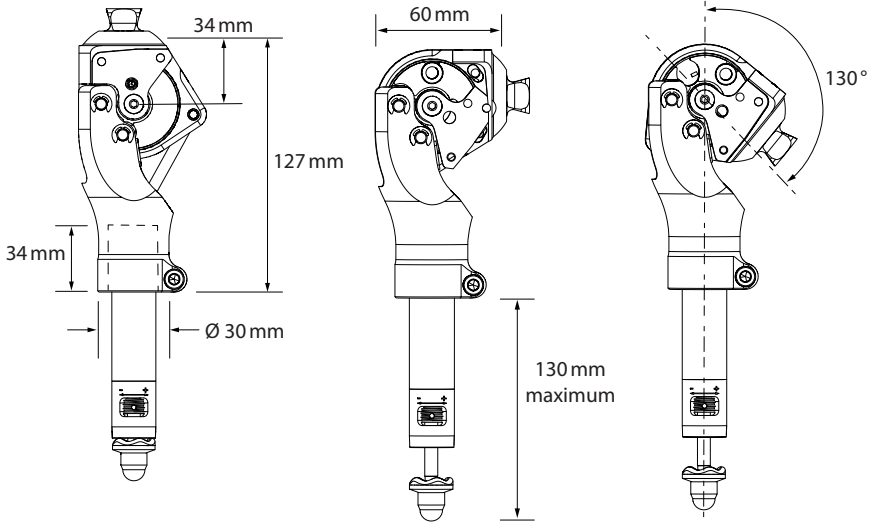
12 Troubleshooting

Symptom	Solution
Excessive noise from knee.	Clean the brake band and brake drum. Apply lubricant to the pivot pins. See Section 10 <i>Maintenance of Stabilizing Mechanism</i> for procedures.
Knee not stabilising.	Check the stability adjustment. See Section 8 <i>Alignment Advice and Stability Adjustment</i> . Clean the brake drum. Check the brake pads for wear and replace the stabilizing mechanism if the trailing edge of the brake is damaged. See Section 10 <i>Maintenance of Stabilizing Mechanism</i> for procedures.
Knee does not release.	Check the stability adjustment. See Section 8 <i>Alignment Advice and Stability Adjustment</i> .

13 Technical Data

Operating and Storage Temperature Range:	-15°C to 50°C 5°F to 122°F
Component Weight:	580 g (1 lb 5 ozs)
Recommended Activity Level:	2
Maximum User Weight:	125 kg (275 lb)
Proximal Alignment attachment:	Rotating Male Pyramid (Blatchford)
Distal attachment	30 mm dia tube clamp (Blatchford)
Build Height:	127 mm
Proximal pyramid to distal tube end	(+130 mm)
[See <i>Fitting Length</i> on page 17]	

Fitting Length



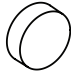

14 Ordering Information

Order Example

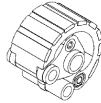


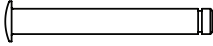

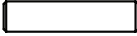


BMK2

14.1 Spare Parts


Extension Stop Kit 239453

Description	Qty	Illustration
Extension Stop - BMK2	4	
Fitting Instructions	1	


Stabilizing Mechanism Kit 239553

Description	Qty	Illustration
Compact Stabilizing Mechanism	1	
Dust Cover LH	1	
Dust Cover RH	1	
Cross Pin	2	
Retainer External 'E' Ring	2	
Alignment Pin	2	
BMK2 Adjustment Warning Tag	1	
Fitting Instructions	1	

Extension Buffer

Description	Qty	Part Number	Illustration
Extension Buffer	1	B-0000021	

Consumables

Description	Qty	Part Number	Illustration
STP Oil Treatment	A/R	928105	
Loctite 222 Screwlock	A/R	926001	
Loctite 424 Adhesive	A/R	926104	

Liability

The manufacturer recommends using the device only under the specified conditions and for the intended purposes. The device must be maintained according to the instructions for use supplied with the device. The manufacturer is not liable for any adverse outcome caused by any component combinations that were not authorized by them.

CE Conformity

This product meets the requirements of the European Regulation EU 2017/745 for medical devices. This product has been classified as a class I device according to the classification rules outlined in Annex VIII of the regulation. The EU declaration of conformity certificate is available at the following internet address: www.blatchford.co.uk



Medical Device



Single Patient – multiple use

Compatibility

Combination with Blatchford branded products is approved based on testing in accordance with relevant standards and the MDR including structural test, dimensional compatibility and monitored field performance.

Combination with alternative CE marked products must be carried out in view of a documented local risk assessment carried out by a Practitioner.

Warranty

This device is warranted for 24 months from original date of purchase unless otherwise stated. The Compact Stabilizing Mechanism is warranted for 12 months from original date of purchase unless otherwise stated. Wear and tear on the brake band is excluded from the warranty. The user should be aware that changes or modifications not expressly approved could void the warranty, operating licenses and exemptions. See Blatchford website for the current full warranty statement including wear and tear.

Reporting of Serious Incidents

In the unlikely event of a serious incident occurring in relation to this device it should be reported to the manufacturer and your national competent authority.

Environmental Aspects

Where possible the components should be recycled in accordance with local waste handling regulations.

Retaining the Packaging Label

You are advised to keep the packaging label as a record of the device supplied.

Trademark Acknowledgements

Blatchford is a registered trademark of Blatchford Products Limited.

Manufacturer's Registered Address



Blatchford Products Limited, Lister Road, Basingstoke RG22 4AH, UK

Table des matières	20
1 Description et objectif visé	21
2 Informations de sécurité.....	22
3 Construction	23
4 Fonction.....	23
5 Entretien	24
6 Limites d'utilisation	25
7 Alignement à l'établi	26
8 Conseils sur l'alignement et le réglage de la stabilité.....	27
9 Alignement dynamique.....	28
10 Entretien du mécanisme de stabilisation.....	29
11 Entretien du tampon d'extension	33
12 Dépannage.....	34
13 Données techniques.....	34
14 Pour commander.....	35
14.1 Pièces de rechange.....	35

1 Description et objectif visé

Ces instructions sont destinées au praticien/clinicien.

Le terme *dispositif* est utilisé dans ce manuel pour se référer au dispositif de genou BMK2.

Assurez-vous que l'utilisateur a bien compris toutes les instructions d'utilisation, et de porter une attention particulière à toutes les informations relatives à l'entretien et à la sécurité.

Les utilisateurs doivent bénéficier d'un entraînement à la marche avant d'utiliser ce dispositif.

Application

Ce dispositif est destiné à être utilisé uniquement comme composant d'une prothèse de membre inférieur.

Le dispositif est un genou compact activé par le poids et doté d'un retour à l'extension à ressort réglable.

Ce dispositif est destiné à un utilisateur unique.

Caractéristiques

- Contrôle de la posture réglable activé par le poids
- Contrôle du retour à l'extension réglable avec amortissement des chocs terminaux
- Angle de flexion maximum de 130°

Niveau d'activité

Ce dispositif est destiné uniquement aux utilisateurs ayant des niveaux d'activité 1 et 2.

Pour connaître le poids maximal de l'utilisateur, voir la section 13 *Données techniques*.

Activité de niveau 1

A la possibilité ou le potentiel d'utiliser une prothèse pour les transferts ou déplacements sur des surfaces planes à une cadence fixe. Caractéristiques du patient domestique limité et illimité.

Activité de niveau 2

A une capacité ou un potentiel de déambulation avec possibilité de gérer des obstacles environnementaux bas tels que les trottoirs, les escaliers ou les surfaces inégales. Caractéristique du patient limité en extérieur.

Activité de niveau 3

A une capacité ou un potentiel de déplacement à cadence variable. Typique du patient en extérieur qui a la capacité de franchir la plupart des barrières environnementales et peut avoir une activité professionnelle, thérapeutique ou physique qui exige l'utilisation de prothèses au-delà de la simple locomotion.

Activité de niveau 4

A une capacité ou un potentiel de déplacement prothétique qui dépasse les capacités de déplacement de base, présentant des niveaux d'impact, de contrainte ou d'énergie élevés. Typique des exigences prothétiques de l'enfant, de l'adulte actif ou du sportif.

Contre-indications

Ce dispositif n'est pas adapté aux utilisateurs qui présentent :

- Une faiblesse musculaire extrême, des contractures qui ne peuvent être correctement accommodées ou un dysfonctionnement proprioceptif, y compris un mauvais équilibre.
- Des instabilités ou des pathologies articulaires controlatérales.
- Des conditions compliquées impliquant des handicaps multiples.
- Les utilisateurs, y compris les amputés transfémoraux bilatéraux, qui ont besoin d'une capacité souple du genou pour descendre les escaliers ou s'asseoir. Il peut en résulter une détérioration du mécanisme de freinage qui peut nuire à la stabilité et à la durabilité.

Avantages cliniques

- Le genou stabilisateur s'active en douceur avec l'appui du poids afin d'assurer la sécurité en position debout et sur les terrains accidentés. Il se libère ensuite de manière nette lors de la phase d'élan.
- L'action résiliente du mécanisme de stabilisation permet de limiter la flexion de la position, ce qui réduit le choc au moment de l'attaque du talon.

2 Informations de sécurité



Ce symbole d'avertissement met en évidence des informations de sécurité importantes qui doivent être scrupuleusement respectées.



Tout changement dans la performance ou la fonction du genou, par exemple un mouvement restreint, un mouvement irrégulier ou des bruits inhabituels, doit être immédiatement signalé à votre prestataire de services. Pendant la phase pendulaire terminale, immédiatement avant l'attaque du talon, il est possible d'entendre un bruit d'impact dû à l'assistance à l'extension lorsque le membre atteint l'extension complète.



Servez-vous toujours d'une rampe pour descendre les escaliers et à tout autre moment si possible.

Évitez l'exposition à la chaleur et/ou au froid extrêmes.



Le dispositif n'est pas destiné à être utilisé dans l'eau ou comme prothèse de douche. Si le genou entre en contact avec de l'eau, essuyez-le immédiatement.



Le dispositif n'est pas adapté aux sports extrêmes, à la course à pied ou à vélo, aux sports de glace et de neige, aux pentes et aux marches extrêmes. Toutes les activités de ce type sont menées aux risques et périls des utilisateurs.



Seul un clinicien dûment qualifié peut procéder au montage, à l'entretien et à la réparation du dispositif.



Lors de l'entretien du dispositif, assurez-vous que le tambour de frein ne contient pas de graisse.



Veillez à ce que seuls les véhicules adaptés soient utilisés pour la conduite. Toutes les personnes sont tenues de respecter leurs lois respectives en matière de conduite de véhicules motorisés.



L'utilisateur ne doit pas régler ou modifier la configuration du dispositif.



Il doit être conseillé au patient de contacter son clinicien si son état vient à changer.



Tenez compte du risque de pincement des doigts.



Toute modification excessive de la hauteur du talon après la fin de l'alignement peut nuire à la fonction du membre.

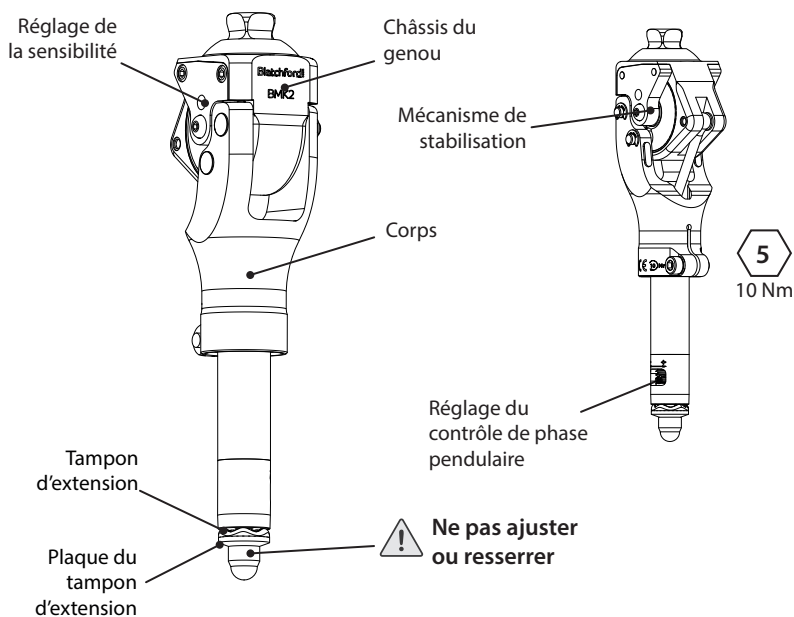
3 Construction

Composants principaux

- Corps (aluminium, inox, polyuréthane, feutre)
- Châssis du genou (aluminium, inox)
- Mécanisme de stabilisation (aluminium, bronze, homopolymère d'acétal, polyuréthane, caoutchouc synthétique)

Remarque... Le matériau de friction du mécanisme de stabilisation ne contient pas d'amiante.

Identification des composants



4 Fonction

Le genou est activé par le poids et la sensibilité peut être adaptée pour répondre aux besoins de l'utilisateur en matière de stabilité.

Le contrôle de phase pendulaire est réglable en modifiant la compression sur un ressort hélicoïdal qui contrôle la levée du talon et le retour à l'extension.

Le dispositif fournit une flexion en phase d'appui pendant l'activation du frein due à la résilience du mécanisme de la bande de frein.

5 Entretien

L'entretien de ce dispositif doit être effectué par un personnel compétent.

Il est conseillé de procéder tous les ans aux opérations d'entretien suivantes :

- Vérifiez que toutes les vis non ajustables sont bien serrées (voir la section Construction) (NE PAS serrer l'écrou couvert à l'extrémité distale).
- Nettoyez la plaquette de frein et remplacez les butées d'extension (voir la section 10 *Entretien du mécanisme de stabilisation* pour connaître la procédure).
- En cas de bruits inhabituels, tels que des grincements et des craquements, et/ou de stabilité réduite, effectuez l'entretien du mécanisme de stabilisation, voir la section 10 *Entretien du mécanisme de stabilisation*. Si les bruits persistent, contactez votre représentant Blatchford.
- L'usure du tampon d'extension est acceptable. Si le bruit est trop important lors de l'extension complète, remplacez le tampon d'extension. Voir la section 11 *Entretien du tampon d'extension*.
- Vérifiez que le jeu médio-latéral du châssis n'est pas trop important.
- Si le bord arrière de la plaquette de frein est usé jusqu'au plastique de la bande de frein, remplacez l'ensemble de la bande de frein. (Remarque : les plaquettes individuelles ne peuvent pas être remplacées.)
- Assurez-vous que la bande de frein est correctement orientée lors du montage. Vérifiez toujours la stabilité avant l'utilisation.

L'utilisateur doit se voir remettre le guide de l'utilisateur fourni. Il lui est conseillé de signaler les éléments suivants au praticien :

- Tout changement de poids ou de niveau d'activité
- Tout changement de performance de ce dispositif

Les changements de performance peuvent inclure :

- Limite d'amplitude
- Changements au niveau de la continuité du pivotement
- Stabilité réduite pendant l'appui
- Tout bruit inhabituel

Nettoyage

Utilisez un chiffon humide et du savon doux pour nettoyer les surfaces extérieures ; N'UTILISEZ PAS de détergents agressifs. Séchez bien le dispositif avant utilisation.

6 Limites d'utilisation

Durée de vie prévue

La durée de service du produit est couverte par la période de garantie - une évaluation locale des risques doit être effectuée sur la base de l'activité et de l'utilisation.

Soulever des charges

Le poids et l'activité de l'utilisateur sont régis par les limites indiquées.

Le transport de charges par l'utilisateur doit être basé sur une évaluation locale des risques.

Remarque... Le dispositif est activé par le poids et les charges supportées peuvent engendrer un engagement plus prompt de la sécurité en phase d'appui.

Environnement

Évitez d'exposer le dispositif à des éléments corrosifs tels que l'eau, les acides et d'autres liquides.



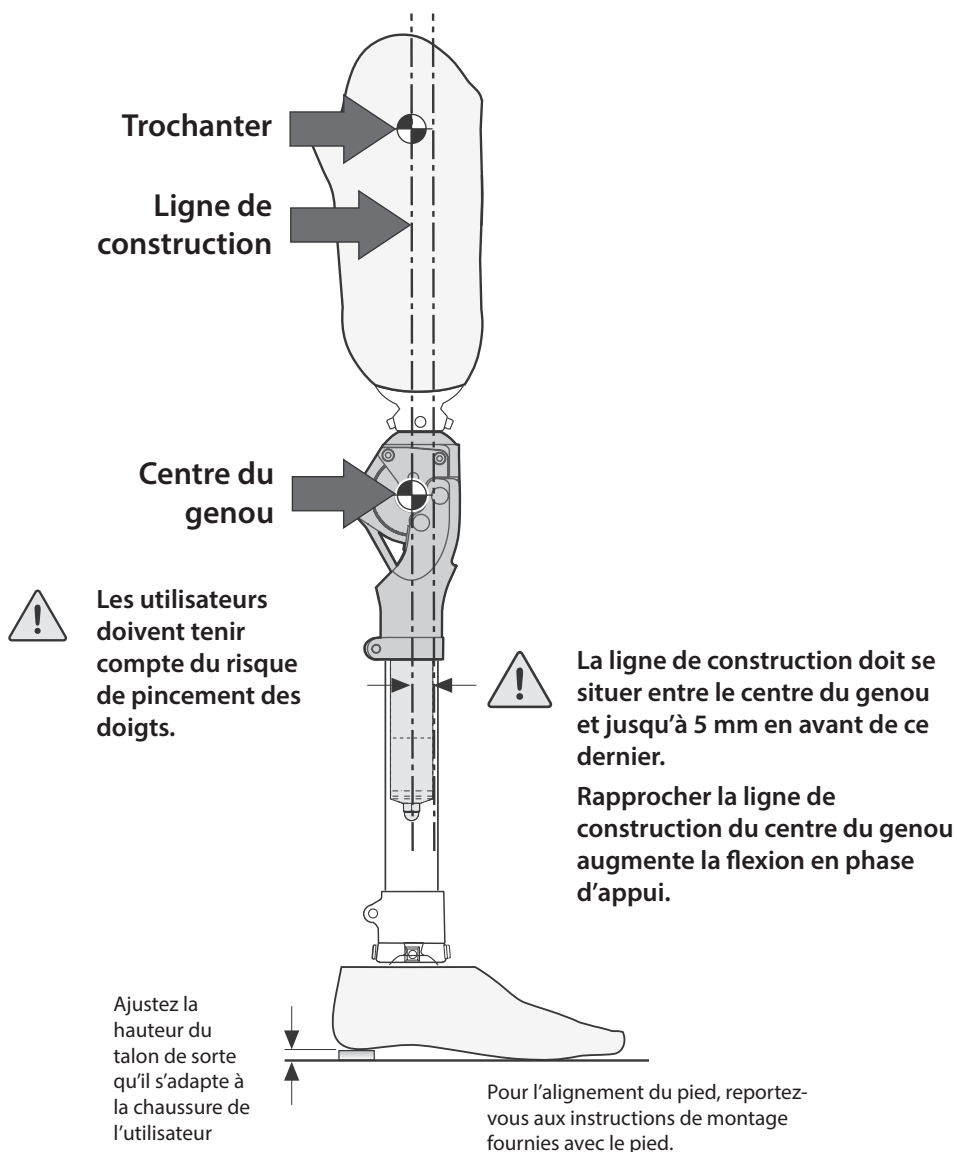
Adapté à un usage en extérieur

Évitez également les environnements abrasifs comme ceux contenant du sable par exemple, car ils peuvent favoriser une usure prématurée.

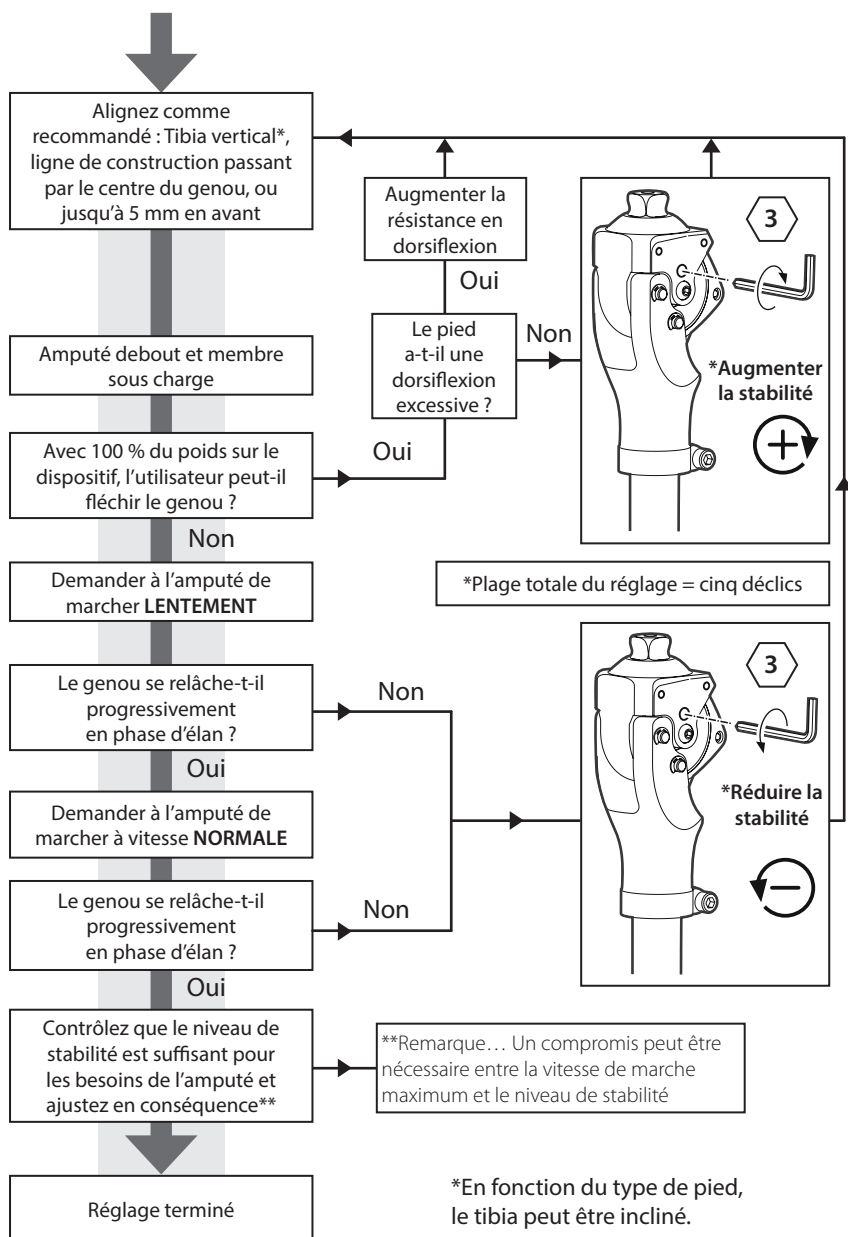
Pour une utilisation exclusivement entre -15 °C et 50 °C.

7 Alignement à l'établi

Lors de l'alignement de la prothèse pour l'utilisation avec le dispositif, la position de la ligne de construction est essentielle. Le genou doit être aligné de manière à être géométriquement stable. Lorsque la flexion s'intègre totalement dans l'emboîture, la ligne de construction doit passer par le trochanter et le centre du genou, ou bien par une ligne parallèle à cet axe, jusqu'à 5 mm en avant du centre du genou.



8 Conseils sur l'alignement et le réglage de la stabilité

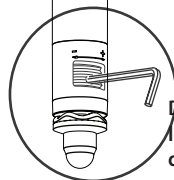
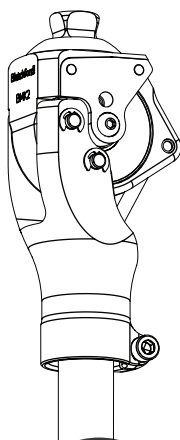
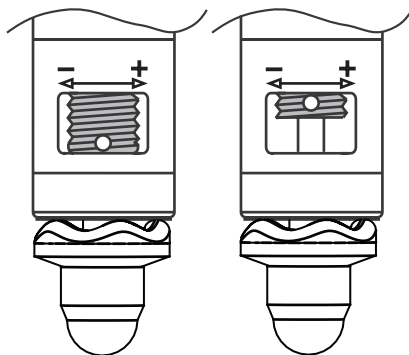


9 Alignement dynamique

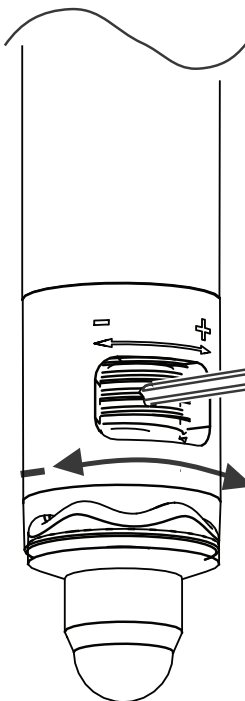
Réglage de la phase pendulaire (retour d'extension)

Remarque... En cas de manœuvre à la main, l'enclenchement de l'amortisseur d'impact terminal peut se ressentir juste avant l'extension totale. Ceci est normal.

Situation	Solution
Si l'élévation du talon est trop importante durant la phase pendulaire ou le dispositif ne s'étend pas complètement pendant la phase pendulaire.	Augmenter l'assistance du ressort
Si l'élévation du talon n'est pas suffisante durant la phase pendulaire ou l'utilisateur ressent un impact terminal.	Diminuer l'assistance du ressort



Diminuer l'assistance du ressort



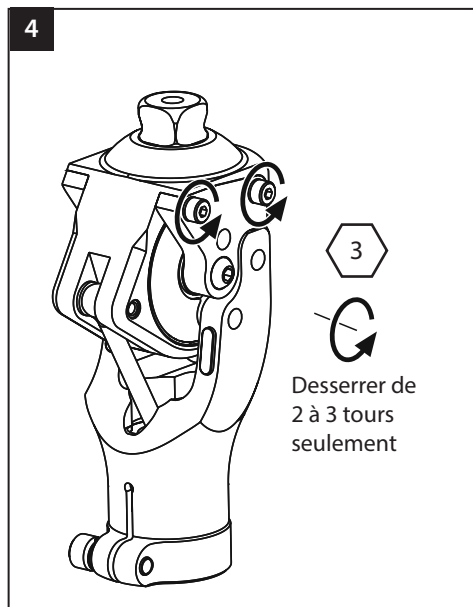
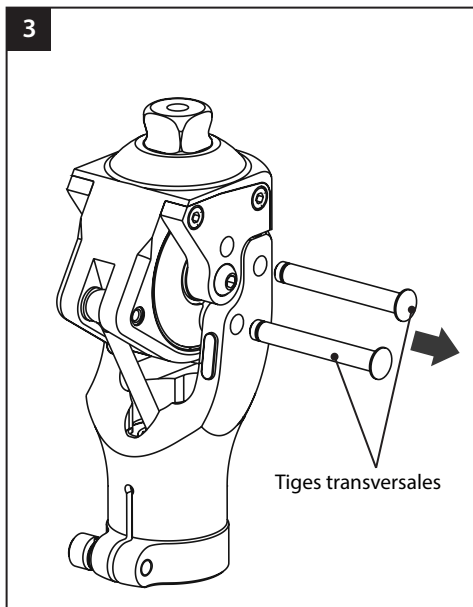
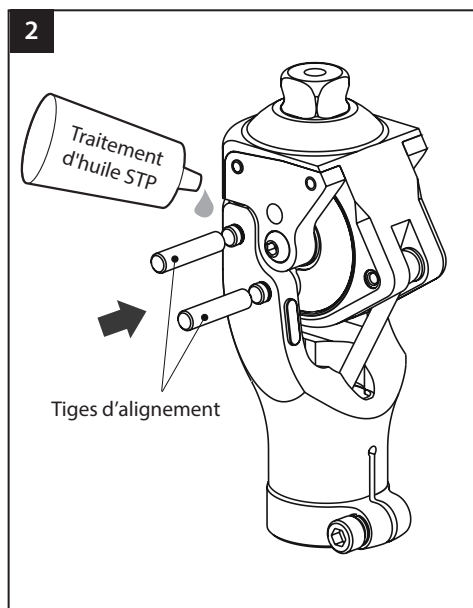
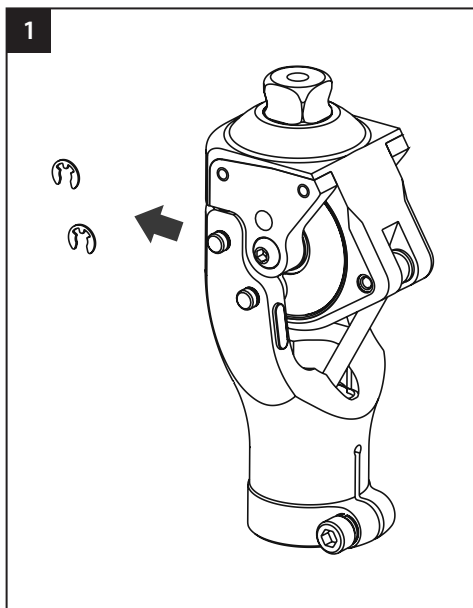
Augmenter l'assistance du ressort

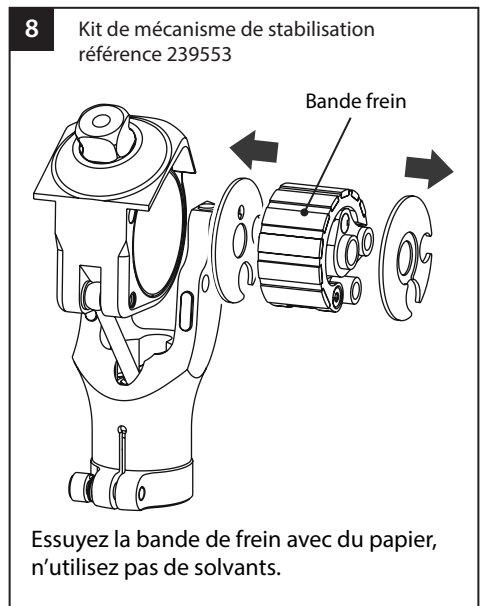
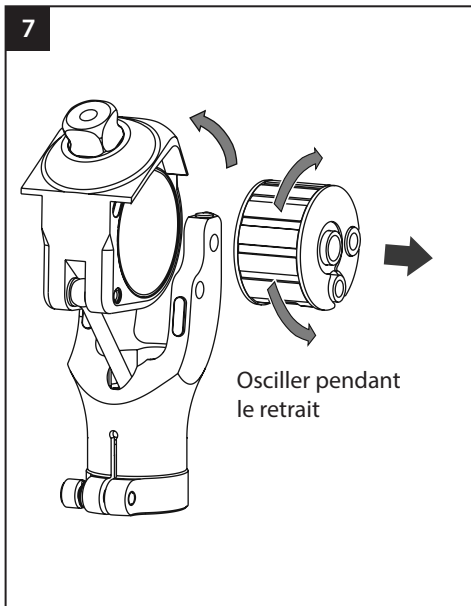
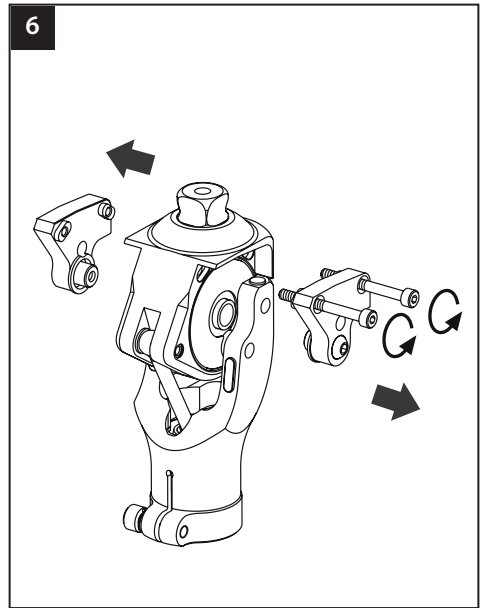
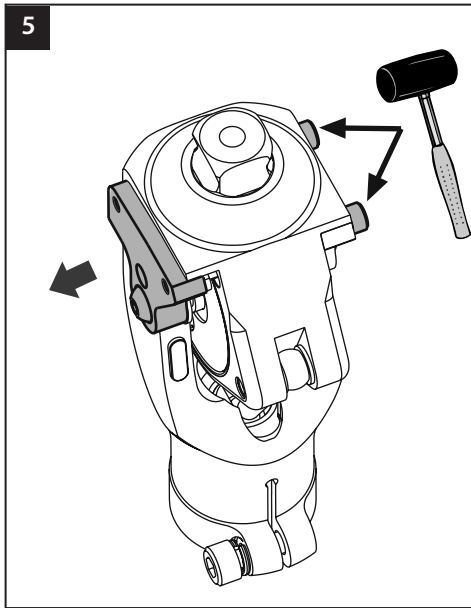


10 Entretien du mécanisme de stabilisation

⚠ Utilisez à tout moment les équipements de santé et de sécurité appropriés, y compris les installations d'extraction.

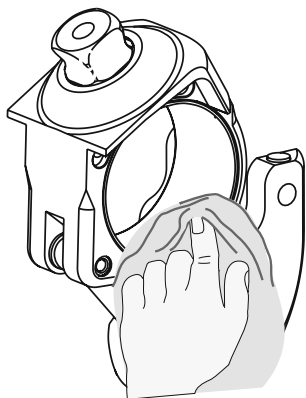
⚠ Tenez compte du risque de pincement des doigts.





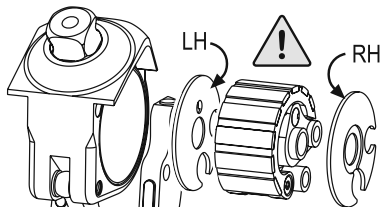
9

Nettoyez l'alésage avec un solvant approprié.

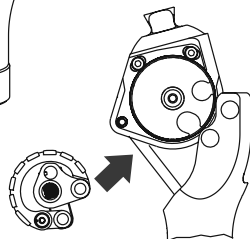


10

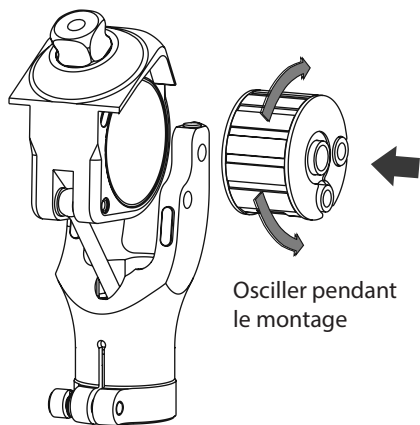
Réassemblage



Noter l'orientation du mécanisme

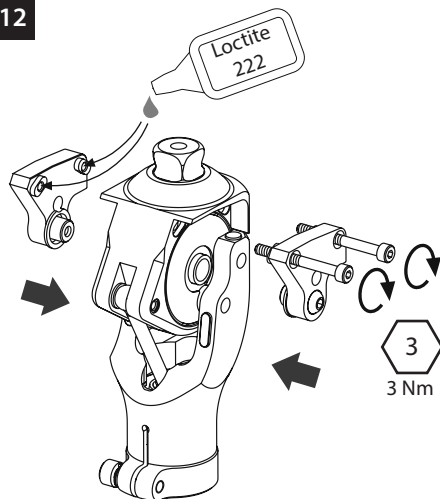


11

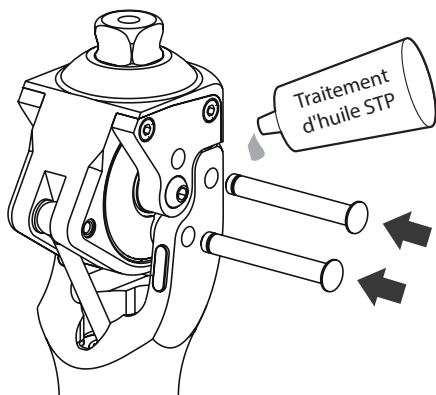


Osciller pendant le montage

12

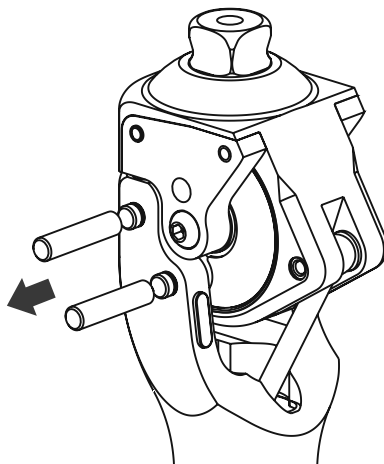


- 13** Appliquez une fine couche de lubrifiant (référence 928105) sur les tiges transversales.

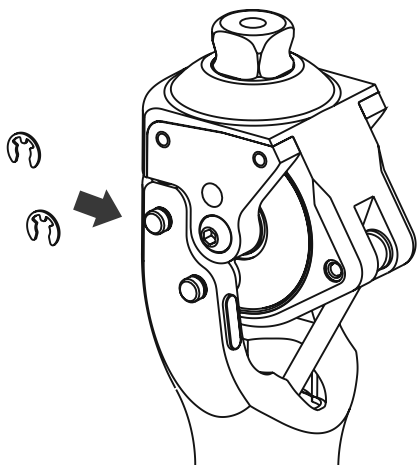


! Assurez-vous que le lubrifiant ne s'infiltré pas dans le tambour de frein. Le dispositif pourrait alors devenir instable.

14



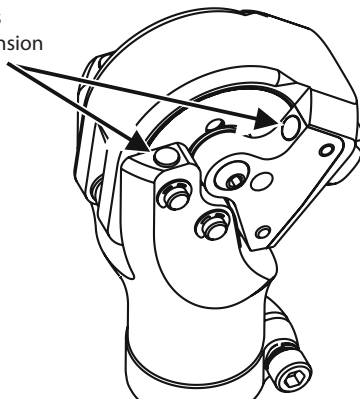
15



16

Remplacez les 4 butées d'extension tous les ans. Kit de butée d'extension référence 239453

Butées d'extension

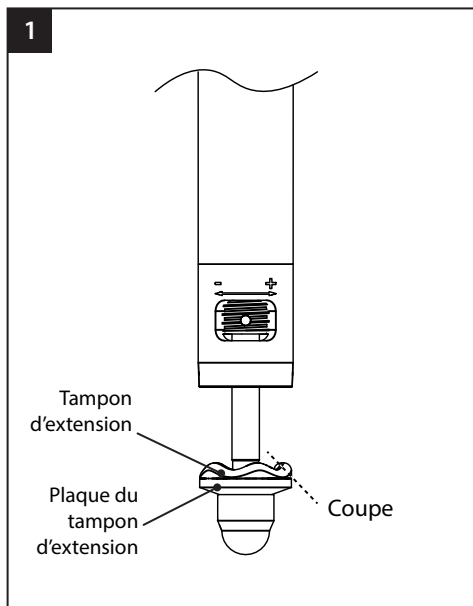


Après l'entretien, il est important de revoir l'ajustement de la stabilité de l'utilisateur. Reportez-vous à l'organigramme de la section Conseils sur l'alignement et le réglage de la stabilité.

11 Entretien du tampon d'extension

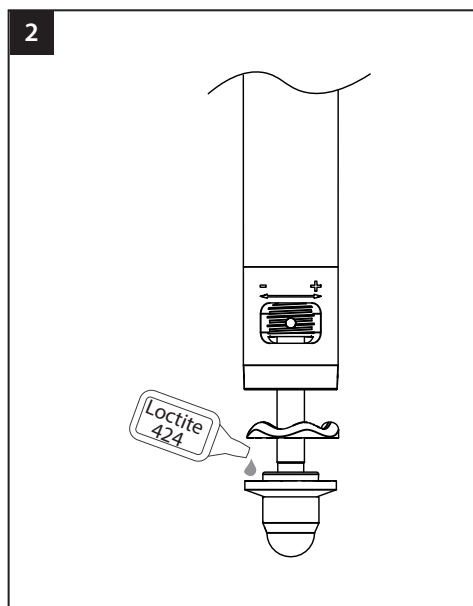
⚠ Utilisez à tout moment les équipements de santé et de sécurité appropriés, y compris les installations d'extraction.

⚠ Tenez compte du risque de pincement des doigts.



À l'aide d'un couteau, coupez et retirez l'ancien tampon d'extension.

Nettoyez la surface supérieure de la plaque du tampon d'extension à l'aide d'un solvant approprié.



Étirez le nouveau tampon d'extension sur la plaque du tampon d'extension.

Fixez le tampon d'extension à la plaque du tampon d'extension avec du Loctite 424.

12 Dépannage

Symptôme	Solution
Bruit excessif venant du genou.	Nettoyez la bande de frein et le tambour de frein. Appliquez du lubrifiant sur les axes d'articulation. Voir la section 10 <i>Entretien du mécanisme de stabilisation</i> pour connaître les procédures.
Le genou ne se stabilise pas.	Vérifiez le réglage de la stabilité. Voir la section 8 <i>Conseils sur l'alignement et le réglage de la stabilité</i> . Nettoyez le tambour de frein. Vérifiez l'usure des plaquettes de frein et remplacez le mécanisme de stabilisation si le bord arrière du frein est endommagé. Voir la section 10 <i>Entretien du mécanisme de stabilisation</i> pour connaître les procédures.
Le genou ne se relâche pas.	Vérifiez le réglage de la stabilité. Voir la section 8 <i>Conseils sur l'alignement et le réglage de la stabilité</i> .

13 Données techniques

Plage de température de fonctionnement et de stockage : -15 °C à 50 °C

Poids de l'élément : 580 g

Niveau d'activité conseillé : 2

Poids maximum de l'utilisateur : 125 kg

Attache d'alignement proximale : Pyramide mâle avec rotation (Blatchford)

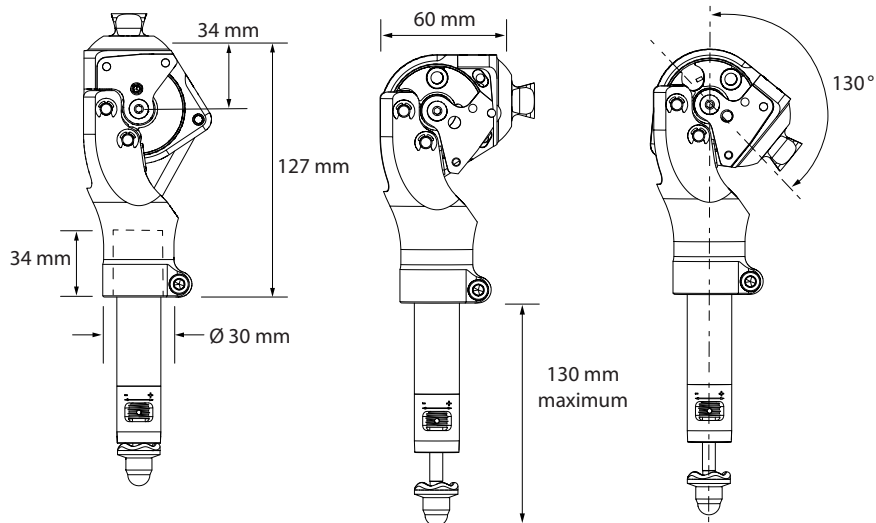
Attache distale : Serre tube 30 mm de diamètre (Blatchford)

Hauteur de construction : 127 mm

Pyramide proximale vers extrémité tube distal (+130 mm)

[Voir *Encombrement* à la page 35]

Encombrement





14 Pour commander

Exemple de commande

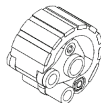


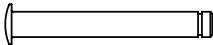

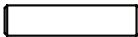


BMK2

14.1 Pièces de rechange


Kit de butée d'extension 239453

Description	Qté	Illustration
Butée d'extension - BMK2	4	
Instructions de montage	1	


Kit de mécanisme de stabilisation 239553

Description	Qté	Illustration
Mécanisme de stabilisation compact	1	
Cache-poussière gauche	1	
Cache-poussière droit	1	
Tige transversale	2	
Bague de retenue externe « E »	2	
Tige d'alignement	2	
Étiquette d'avertissement de réglage BMK2	1	
Instructions de montage	1	

Tampon d'extension

Description	Qté	Référence	Illustration
Tampon d'extension	1	B-0000021	

Consommables

Description	Qté	Référence	Illustration
Traitement d'huile STP	A/B	928105	
Frein filet Loctite 222	A/B	926001	
Adhésif Loctite 424	A/B	926104	

Responsabilité

Le fabricant recommande d'utiliser le dispositif uniquement dans les conditions spécifiées et pour les usages prévus. Le dispositif doit être entretenu conformément au mode d'emploi fourni avec ce dernier. Le fabricant n'est pas responsable des conséquences négatives causées par des combinaisons de composants qu'il n'a pas lui-même autorisées.

Conformité CE

Ce produit répond aux exigences du règlement européen UE 2017/745 relatif aux dispositifs médicaux. Ce produit a été classé comme dispositif de classe I selon les règles de classification énoncées à l'Annexe VIII de la réglementation. Le certificat de déclaration de conformité de l'UE est disponible à l'adresse internet suivante : www.blatchford.co.uk



Dispositif médical



Patient unique - usage multiple

Compatibilité

La combinaison avec des produits de la marque Blatchford est approuvée sur la base d'essais conformes aux normes pertinentes et au règlement relatif aux dispositifs médicaux (RDM), y compris les essais structurels, la compatibilité dimensionnelle et le contrôle des performances sur le terrain.

La combinaison avec d'autres produits marqués CE doit être effectuée en vue d'une évaluation locale des risques documentée, effectuée par un praticien.

Garantie

Ce dispositif est garanti pendant 24 mois à compter de la date du premier achat, sauf indication contraire. Le mécanisme de stabilisation compact est garanti pendant 12 mois à compter de la date du premier achat, sauf indication contraire. L'usure de la bande de frein est exclue de la garantie. L'utilisateur doit savoir que des changements ou des modifications non expressément approuvés peuvent annuler la garantie, les licences d'exploitation et les exemptions. Consultez le site web de Blatchford pour obtenir la déclaration de garantie complète actuelle, y compris la section se rapportant à l'usure.

Signalement des incidents graves

Dans le cas peu probable où un incident grave surviendrait en rapport avec ce dispositif, il doit être signalé au fabricant et à votre autorité nationale compétente.

Aspects environnementaux

Dans la mesure du possible, les composants doivent être recyclés conformément aux réglementations locales en matière de traitement des déchets.

Conserver l'étiquette de l'emballage

Il vous est conseillé de conserver l'étiquette de l'emballage comme trace du dispositif fourni.

Reconnaissance des marques

Blatchford est une marque déposée de Blatchford Products Limited.

Siège social du fabricant



Blatchford Products Limited, Lister Road, Basingstoke RG22 4AH, Royaume-Uni

Inhalt.....	38
1 Beschreibung und Verwendungszweck	39
2 Sicherheitsinformationen	40
3 Aufbau.....	41
4 Funktion.....	41
5 Wartung.....	42
6 Verwendungseinschränkungen.....	43
7 Grundaufbau.....	44
8 Ratschläge für Ausrichtung und Stabilitätsanpassung	45
9 Dynamischer Aufbau	46
10 Wartung des Stabilisierungsmechanismus	47
11 Wartung des Extensionspuffers	51
12 Fehlerbehandlung	52
13 Technische Daten.....	52
14 Bestellinformationen	53
14.1 Ersatzteile.....	53

1 Beschreibung und Verwendungszweck

Diese Anweisungen richten sich an Ärzte/Fachpersonal.

Der Begriff *Produkt* wird in dieser Gebrauchsanweisung durchgängig verwendet und bezieht sich auf das Kniemodell BMK2.

Stellen Sie sicher, dass der Anwender die gesamte Gebrauchsanweisung verstanden hat, und weisen Sie insbesondere auf die Wartungs- und Sicherheitsinformationen hin.

Anwender müssen vor Verwendung dieses Produkts eine Gangschulung erhalten.

Anwendung

Dieses Produkt ist ausschließlich als Teil einer Prothese der unteren Extremität vorgesehen.

Das Produkt ist ein kompaktes, gewichtsaktiviertes Knie mit einstellbarer Federextensions-Vorspannung.

Das Produkt ist für einen einzelnen Anwender vorgesehen.

Eigenschaften

- Gewichtsaktivierte, einstellbare Standregelung
- Die Regelung der einstellbaren Extensionsvorspannung enthält eine terminale Stoßdämpfung.
- Maximaler Flexionswinkel 130°

Mobilitätsklasse

Das Produkt ist ausschließlich für Anwender der Mobilitätsklassen 1 und 2 konzipiert. Für das maximale Anwendergewicht siehe Abschnitt 13 *Technische Daten*.

Mobilitätsklasse 1

Hat die Fähigkeit oder das Potenzial, eine Prothese bei Transfers oder beim Gehen auf ebenem Untergrund bei fester Schrittfrequenz zu nutzen. Typisch für Personen mit begrenzter oder unbegrenzter Mobilität im Haushalt.

Mobilitätsklasse 2

Hat die Fähigkeit oder das Potenzial für Mobilität mit der Möglichkeit, niedrige Hindernisse in der Umwelt zu überwinden, beispielsweise Bordsteinkanten, Treppen oder unebenen Untergrund. Typisch für Personen mit begrenzter Mobilität in der Gesellschaft.

Mobilitätsklasse 3

Hat die Fähigkeit oder das Potenzial, Mobilität mit variabler Schrittfrequenz zu erreichen. Typisch für allgemein mobile Personen mit der Fähigkeit, die meisten Hindernisse in der Umgebung zu überwinden, und mit beruflicher, therapeutischer oder sportlicher Betätigung, die eine Nutzung der Prothese über einfache Fortbewegung hinaus erfordert.

Mobilitätsklasse 4

Mit der Möglichkeit oder dem Potenzial für prothetische Mobilisierung, die über grundlegende Mobilisierung hinausgeht und starke Stöße, hohe Belastungen oder hohe Energieeinwirkung umfasst. Typisch für die prothetischen Anforderungen von Kindern, aktiven Erwachsenen oder Sportlern.

Gegenanzeigen

Das Produkt eignet sich nicht für Anwender mit:

- Extreme Muskelschwäche, Kontrakturen, die nicht korrekt versorgt werden können, oder propriozeptive Dysfunktion einschließlich schlechtem Gleichgewichtssinn.
- Kontralateralen Gelenksinstabilitäten oder -erkrankungen.
- Komplizierten Leiden mit mehreren Behinderungen.
- Anwender, einschließlich Personen mit bilateraler, transfemorale Amputation, die für das Treppabgehen oder Sitzen eine Yielding-Funktion des Knies benötigen. Dies kann zu Schäden des Bremsmechanismus führen, was sich wiederum negativ auf Stabilität und Langlebigkeit auswirken kann.

Klinischer Nutzen

- Das stabilisierende Knie wird bei Gewichtsbelastung gleichmäßig aktiviert, sodass sicheres Stehen und Gehen auf unebenem Untergrund möglich ist. Anschließend löst es sauber beim Abheben des Vorfußes aus.
- Der Widerstand des Stabilisierungsmechanismus erzeugt eine begrenzte Flexion in der Standphase, was Stöße beim Auftreffen der Ferse verringert.

2 Sicherheitsinformationen



Das Warnsymbol hebt wichtige Sicherheitsinformationen hervor, die genau befolgt werden müssen.



Sämtliche Veränderungen in der Leistung des Knies, wie z. B. eine eingeschränkte Bewegung, ungleichmäßige Bewegung oder ungewöhnliche Geräusche, sollten Sie sofort Ihrem Dienstleister mitteilen. Während des terminalen Schwungs und unmittelbar vor dem Fersenaufprall kann die Extensionsunterstützung ein leichtes Stoßgeräusch verursachen, während die Prothese die volle Extension erreicht.



Benutzen Sie beim Treppabgehen oder in ähnlichen Situationen immer ein Geländer (falls vorhanden).

Vermeiden Sie jede Aussetzung gegenüber extremer Wärme und/oder Kälte.



Das Produkt darf nicht im Wasser oder beim Duschen genutzt werden. Wenn das Knie mit Wasser in Berührung kommt, sollte es umgehend trocken gewischt werden.



Das Produkt ist nicht geeignet für Extremsport, Laufen und Radrennen, Wintersport und extreme Abhänge oder Stufen. Jegliche derartigen Aktivitäten erfolgen auf eigene Gefahr des Anwenders.



Montage, Wartung und Reparatur des Produkts dürfen nur von ausreichend qualifiziertem Fachpersonal ausgeführt werden.



Bei der Wartung des Produkts sicherstellen, dass sich kein Schmierfett in der Bremstrommel befindet.



Beim Autofahren dürfen nur entsprechend umgebaute Fahrzeuge verwendet werden. Alle Personen müssen beim Führen von Kraftfahrzeugen die jeweils geltenden Verkehrsvorschriften befolgen.



Der Anwender darf die Einstellung des Produkts nicht verändern oder manipulieren.



Der Anwender sollte seinen Arzt kontaktieren, wenn sich sein Zustand verändert.



Bitte beachten Sie, dass Finger leicht eingeklemmt werden können.



Jegliche übermäßigen Veränderungen der Fersenhöhe nach Fertigstellung der Ausrichtung können sich negativ auf die Funktion der Prothese auswirken.

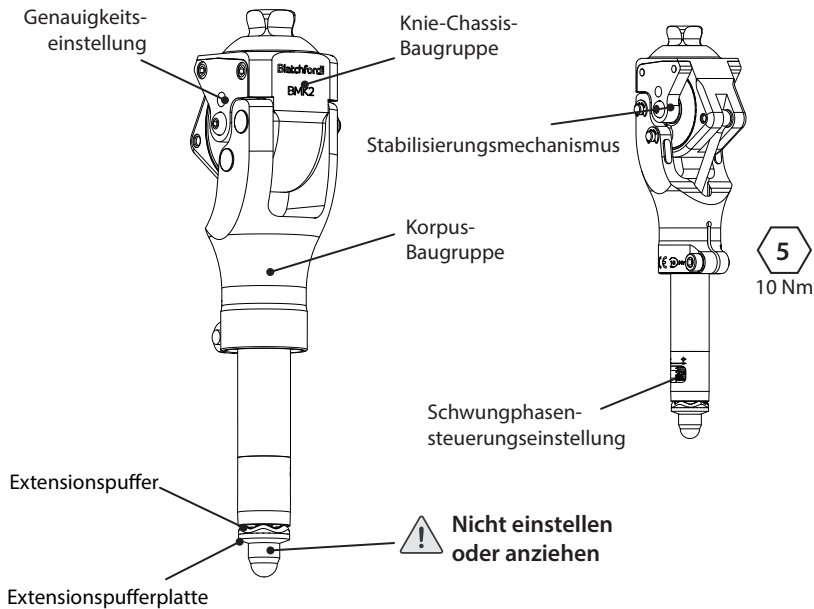
3 Aufbau

Hauptteile

- Korpus-Baugruppe (Aluminium, Edelstahl, Polyurethan, Filz)
- Knie-Chassis-Baugruppe (Aluminium, Edelstahl)
- Stabilisierungsmechanismus (Aluminium, Bronze, Acetal-Homopolymer, Polyurethan, Synthesekautschuk)

Hinweis... Der Reibbelag im Stabilisierungsmechanismus enthält kein Asbest.

Komponentenidentifikation



4 Funktion

Das Knie ist gewichtsaktiviert und die Genauigkeit kann entsprechend den Stabilitätsanforderungen des Anwenders eingestellt werden.

Die Schwungkontrolle kann eingestellt werden, indem die Kompression einer Schraubenfeder verändert wird, die das Anheben der Ferse und die Extensionsvorspannung regelt.

Das Produkt bietet durch den Widerstand des Bremsbandmechanismus Standphasenflexion während der Bremsenaktivierung.

5 Wartung

Die Wartung muss von einer kompetenten Person durchgeführt werden.

Es wird empfohlen, die folgenden Wartungsarbeiten jährlich durchzuführen:

- Überprüfung aller Schrauben ohne Einstellfunktion auf Festigkeit (siehe Abschnitt „Aufbau“) (die Hutmutter am distalen Ende NICHT anziehen).
- Reinigung des Bremsbelags und Austausch der Extensionsstopps (siehe Abschnitt 10 *Wartung des Stabilisierungsmechanismus* für die genaue Vorgehensweise).
- Im Fall von ungewöhnlichen Geräuschen wie Quietschen und Knarzen und/oder reduzierter Stabilität den Stabilisierungsmechanismus warten, siehe Abschnitt 10 *Wartung des Stabilisierungsmechanismus*. Kontaktieren Sie Ihren Blatchford-Vertreter, falls die Geräusche bestehen bleiben.
- Verschleiß des Extensionspuffers ist akzeptabel. Sollten bei voller Extension deutliche Geräusche auftreten, den Extensionspuffer ersetzen. Siehe Abschnitt 11 *Wartung des Extensionspuffers*.
- Die Chassis auf übermäßiges medio-laterales Spiel überprüfen.
- Ist das freie Ende des Bremsbands bis zum Kunststoff des Bremsbands verschlissen, das Bremsband vollständig ersetzen. (Hinweis: Beläge können nicht einzeln ersetzt werden.)
- Beim erneuten Zusammenbau auf die korrekte Orientierung des Bremsbands achten. Die Stabilität stets vor Gebrauch prüfen.

Händigen Sie dem Anwender die im Lieferumfang enthaltene Bedienungsanleitung aus und fordern Sie ihn auf, dem Techniker Folgendes mitzuteilen:

- Veränderungen des Körpergewichts oder der Mobilität
- Veränderungen der Produktleistung

Leistungsveränderungen können umfassen:

- Eingeschränkter Schwung
- Veränderungen bei der Gleichmäßigkeit des Schwungs
- Verringerte Stabilität in der Standphase
- Ungewöhnliche Geräusche

Reinigung

Reinigen Sie die äußeren Oberflächen mit einem feuchten Tuch und milder Seife. Verwenden Sie KEINE aggressiven Reiniger. Trocknen Sie das Produkt vor dem Gebrauch sorgfältig.

6 Verwendungseinschränkungen

Vorgesehene Lebensdauer

Der Garantiezeitraum deckt die Lebensdauer des Produkts ab. Je nach Aktivität und Nutzung sollte eine lokale Risikobeurteilung durchgeführt werden.

Heben von Lasten

Das Gewicht und die Mobilität des Anwenders werden von den angegebenen Grenzwerten bestimmt.

In einer lokalen Risikobewertung sollte ermittelt werden, wie viel Last der Anwender tragen kann.

Hinweis... Das Produkt ist gewichtsaktiviert und die Traglasten können dazu führen, dass die Standphasenunterstützung schneller aktiviert wird.

Umwelt

Vermeiden Sie den Kontakt des Produkts mit korrosiven Stoffen wie Wasser, Säuren und anderen



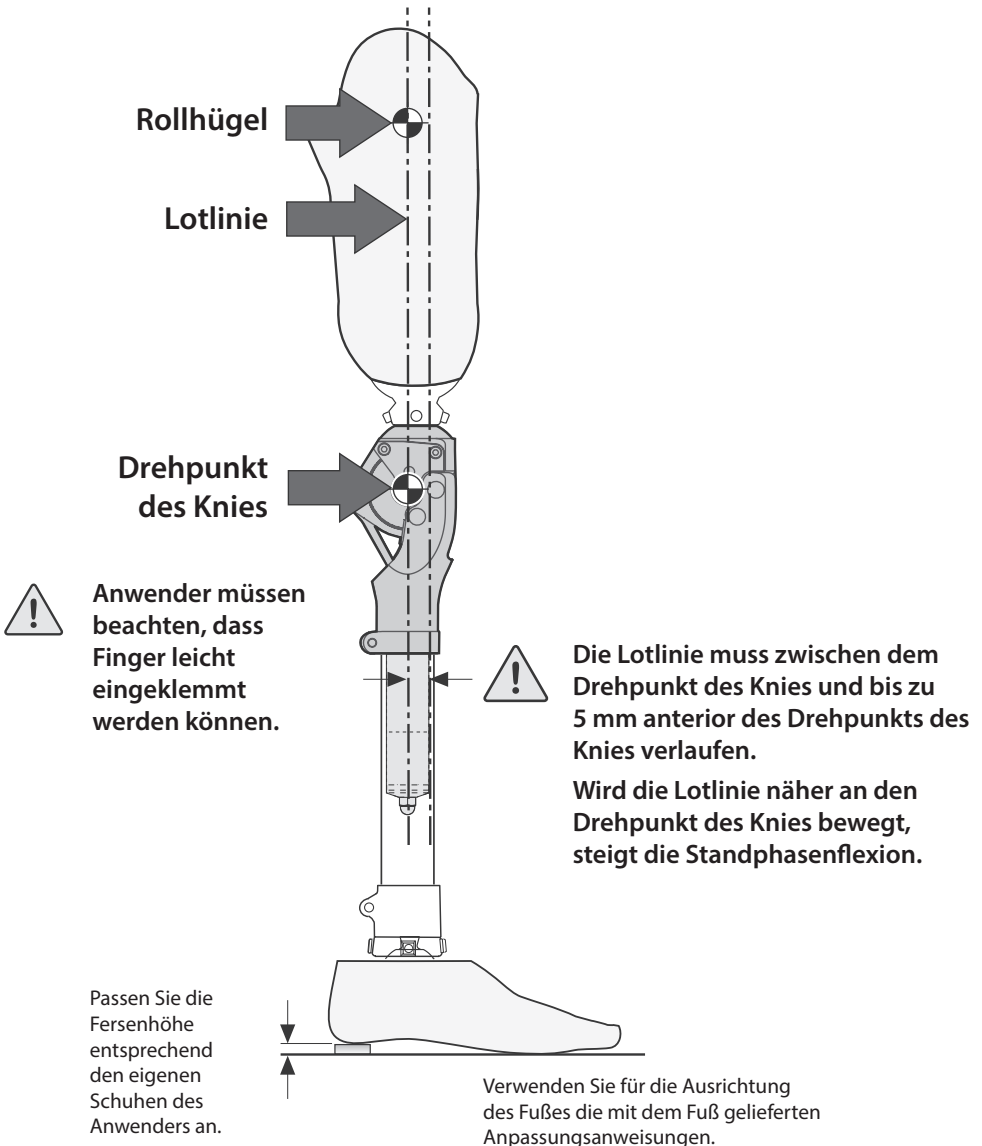
Für den Außenbereich geeignet

Flüssigkeiten. Vermeiden Sie außerdem abrasive Umgebungen wie beispielsweise Sand, da dies zu vorzeitigem Verschleiß führen kann.

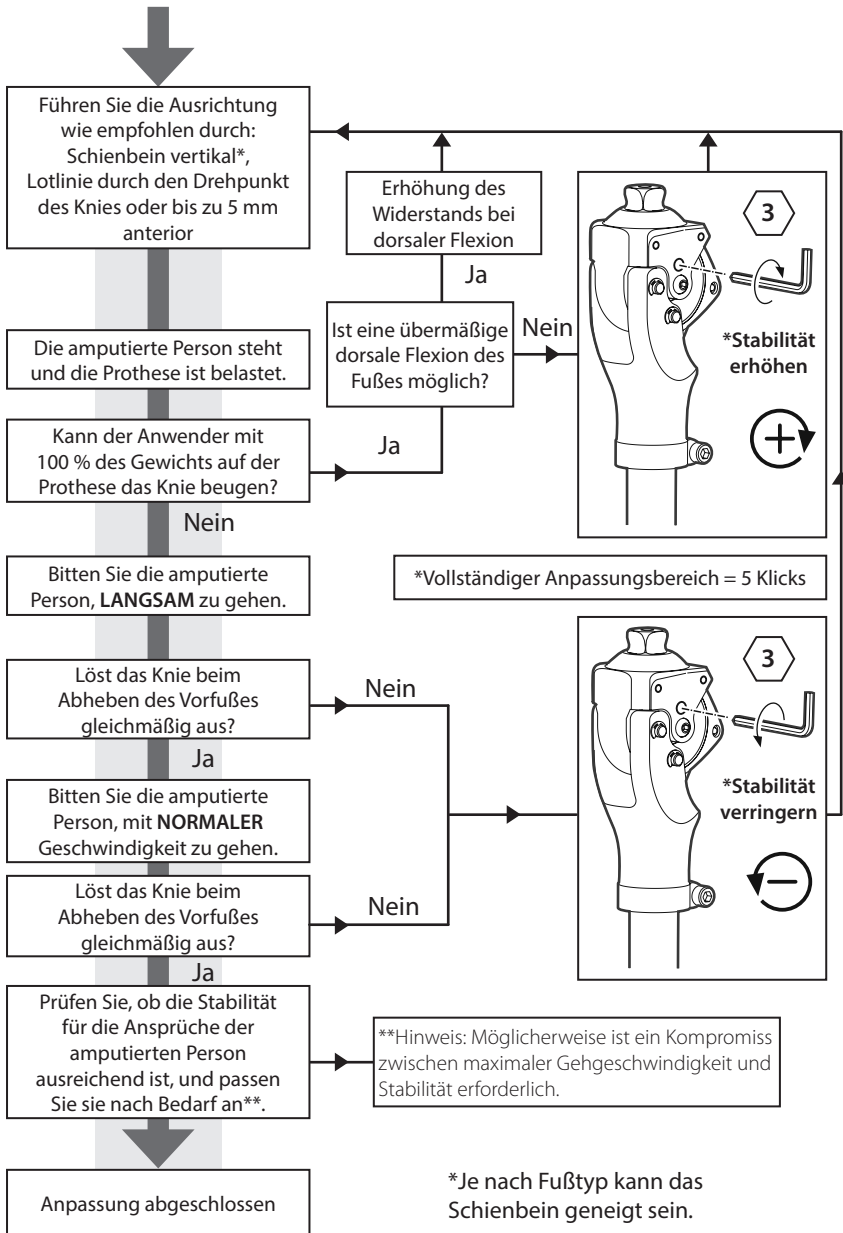
Das Produkt ist nur für die Nutzung bei Temperaturen zwischen -15 °C und 50 °C vorgesehen.

7 Grundaufbau

Bei der Ausrichtung der Prothese für die Verwendung mit dem Produkt ist die Positionierung der Lotlinie entscheidend. Das Knie muss so ausgerichtet werden, dass es geometrisch stabil ist. Bei vollständig auf den Schaft aufgebrachter Flexion muss die Lotlinie durch den Rollhügel und den Drehpunkt des Knies oder in einer Linie parallel dazu (bis zu 5 mm anterior des Drehpunkts des Knies) verlaufen.



8 Ratschläge für Ausrichtung und Stabilitätsanpassung

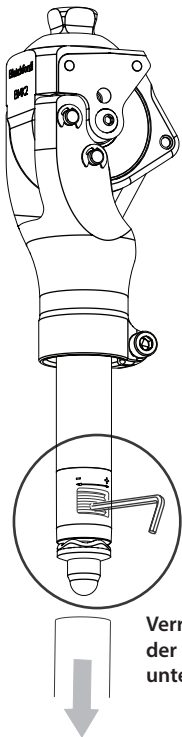


9 Dynamischer Aufbau

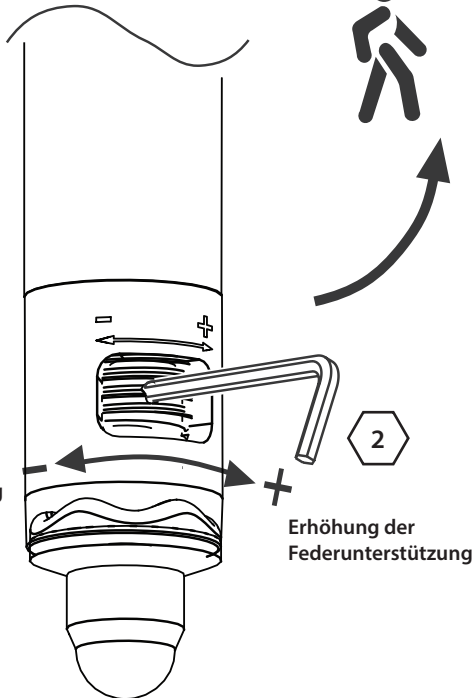
Schwunghasensteuerungseinstellung (Extensionsvorspannung)

Hinweis: Bei manueller Bedienung ist die Aktivierung der terminalen Stoßdämpfung möglicherweise unmittelbar vor der vollen Extension spürbar. Dies ist normal.

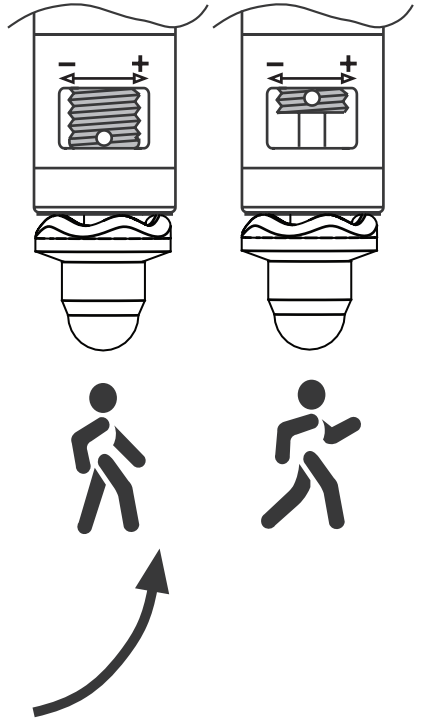
Situation	Lösung
Die Ferse wird während des Schwungs zu hoch angehoben oder das Produkt erreicht während des Schwungs keine volle Extension.	Erhöhung der Federunterstützung
Die Ferse wird während des Schwungs zu niedrig angehoben oder Anwender spürt einen terminalen Stoß.	Verringerung der Federunterstützung



Verringerung der Federunterstützung



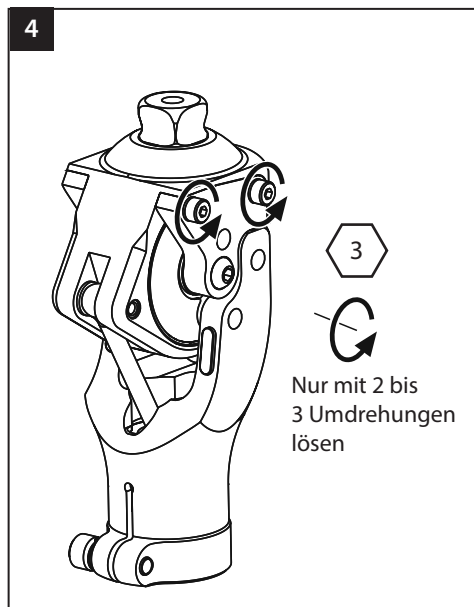
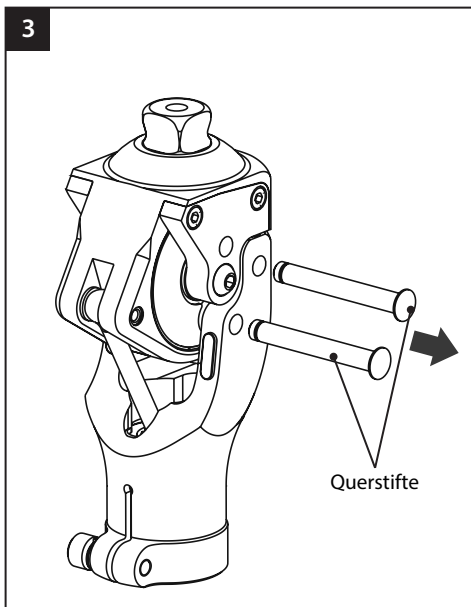
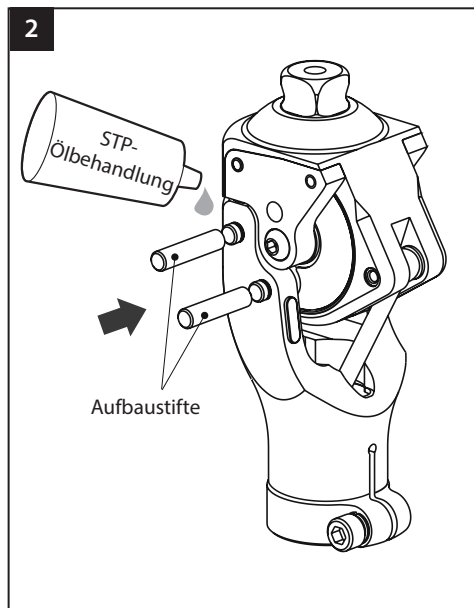
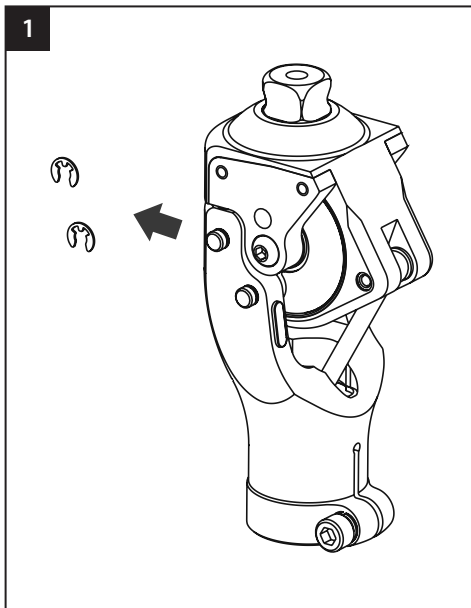
Erhöhung der Federunterstützung

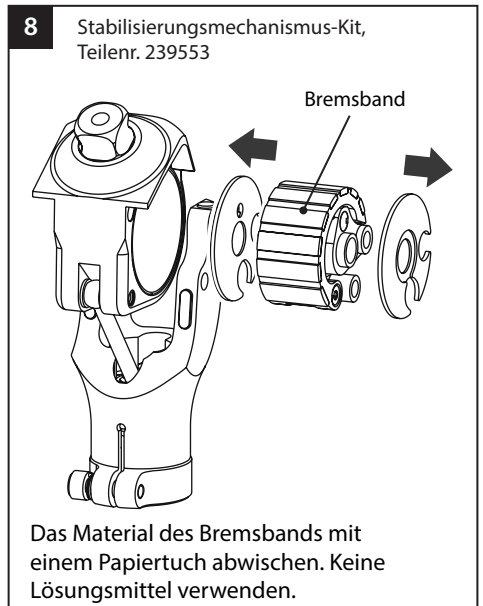
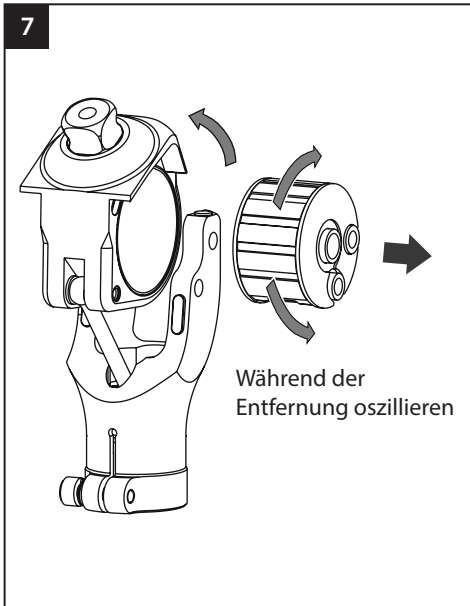
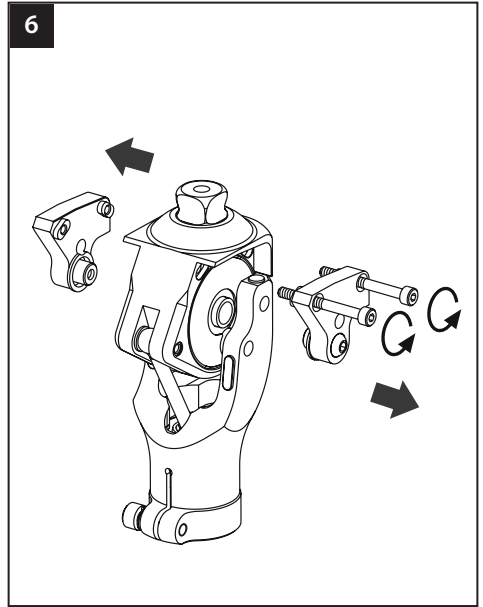
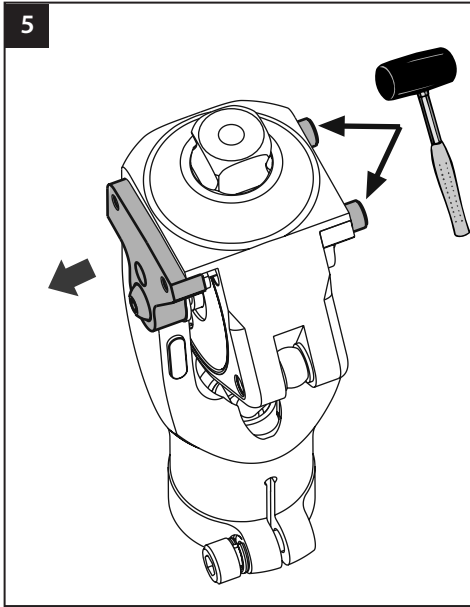


10 Wartung des Stabilisierungsmechanismus

⚠ Verwenden Sie jederzeit geeignete Schutzausrüstung einschließlich Abzugsvorrichtungen.

⚠ Bitte beachten Sie, dass Finger leicht eingeklemmt werden können.





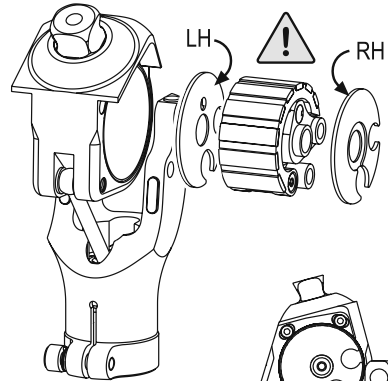
9

Reinigen Sie die Bohrung mit einem geeigneten Lösungsmittel.

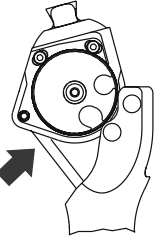


10

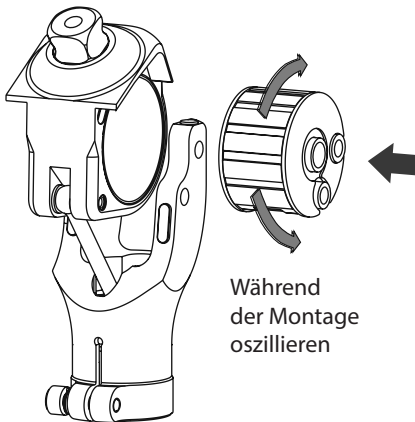
Erneute Montage



Orientierung des Mechanismus beachten

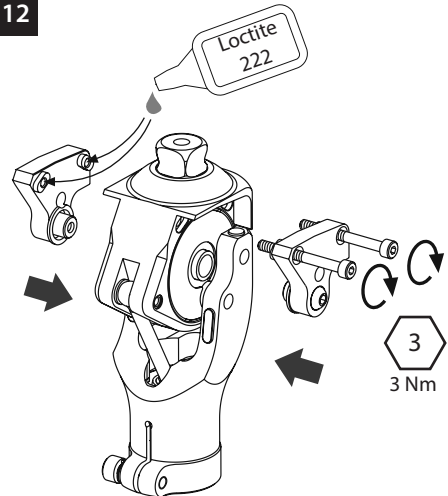


11



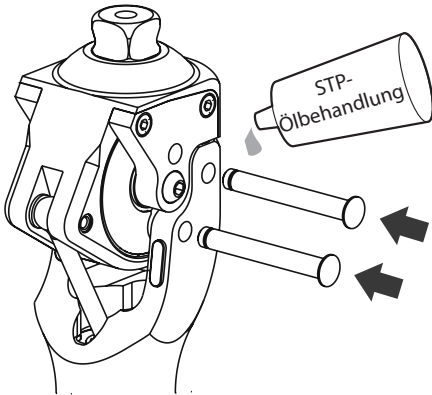
Während der Montage oszillieren

12



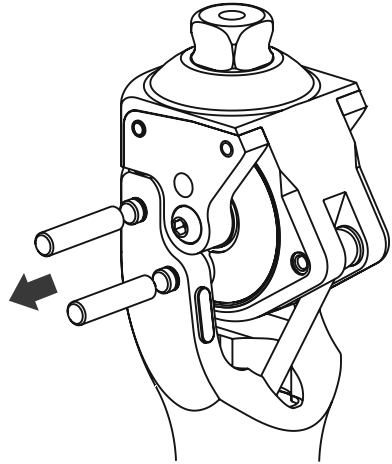
3
3 Nm

- 13** Eine dünne Schicht Schmiermittel (Teilnr. 928105) auf die Querstifte auftragen.

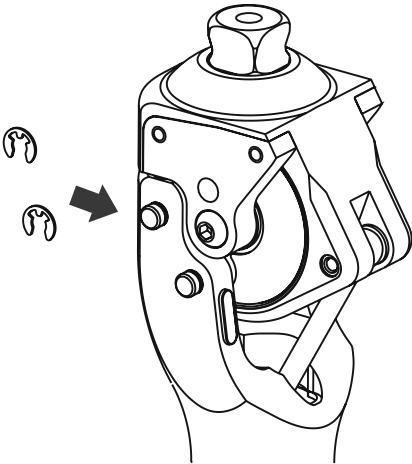


! Sicherstellen, dass kein Schmiermittel in die Bremstrommel dringt. Dies kann zu Instabilität des Produkts führen.

14



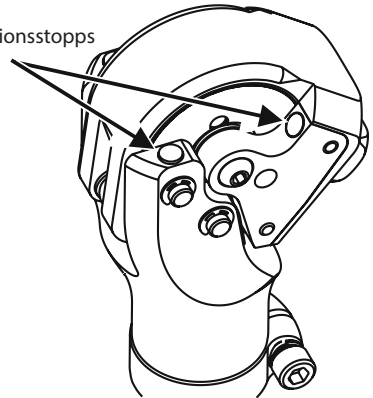
15



16

- Ersetzen Sie alle vier Extensionsstopps jährlich.
Extensionsstopp-Kit, Teilnr. 239453

Extensionsstopps



Nach der Wartung muss die Stabilitätseinstellung des Anwenders geprüft werden.
Siehe das Flussdiagramm im Abschnitt „Ratschläge für die Ausrichtung und Stabilitätsanpassung“.

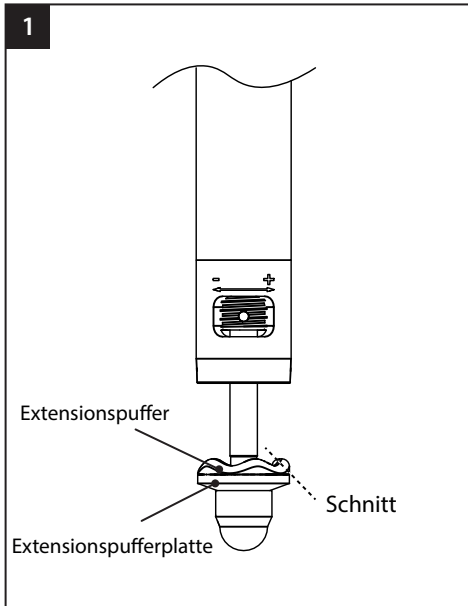
11 Wartung des Extensionspuffers



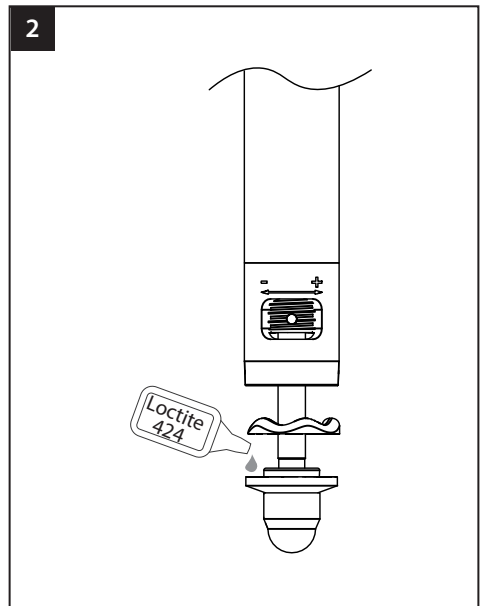
Verwenden Sie jederzeit geeignete Schutzausrüstung einschließlich Abzugsvorrichtungen.



Bitte beachten Sie, dass Finger leicht eingeklemmt werden können.



Den alten Extensionspuffer mit einem Messer zerschneiden und entfernen.
Die obere Fläche der Extensionspufferplatte mit einem geeigneten Lösungsmittel reinigen.



Den neuen Extensionspuffer über die Extensionspufferplatte ziehen.
Den Extensionspuffer mit Loctite 424 an der Extensionspufferplatte sichern.

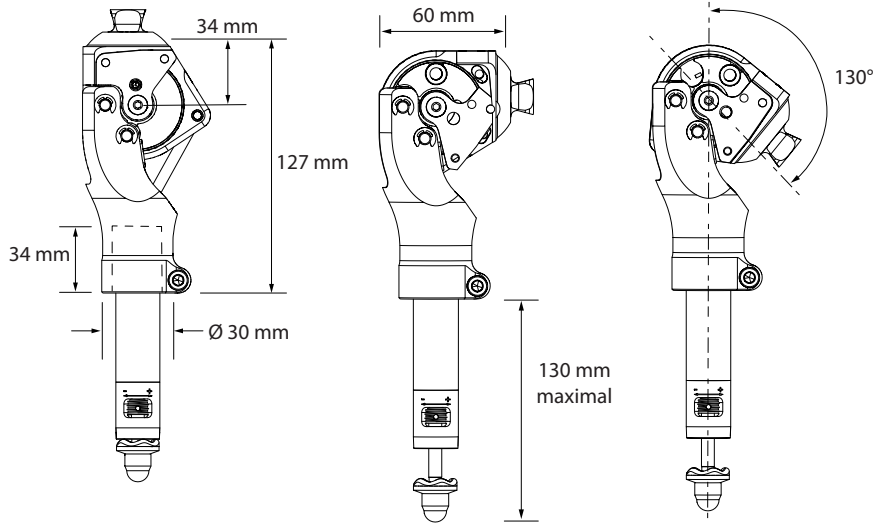
12 Fehlerbehandlung

Symptom	Lösung
Starke Geräusche im Knie.	Bremsband und Bremstrommel reinigen. Schmiermittel auf die Drehpunktstifte auftragen. Siehe Abschnitt 10 <i>Wartung des Stabilisierungsmechanismus</i> für die genaue Vorgehensweise.
Knie stabilisiert sich nicht.	Stabilitätseinstellung prüfen. Siehe Abschnitt 8 <i>Ratschläge für Ausrichtung und Stabilitätsanpassung</i> . Bremstrommel reinigen. Die Bremsbeläge auf Verschleiß prüfen und den Stabilisierungsmechanismus ersetzen, falls das freie Ende der Bremse beschädigt ist. Siehe Abschnitt 10 <i>Wartung des Stabilisierungsmechanismus für die genaue Vorgehensweise</i> .
Knie löst sich nicht.	Stabilitätseinstellung prüfen. Siehe Abschnitt 8 <i>Ratschläge für Ausrichtung und Stabilitätsanpassung</i> .

13 Technische Daten

Temperaturbereich für Betrieb und Lagerung:	-15 °C bis 50 °C
Komponentengewicht:	580 g
Empfohlene Mobilitätsklasse:	2
Maximales Anwendergewicht:	125 kg
Proximaler Befestigungsanschluss:	Rotationspyramide (Blatchford)
Distaler Anschluss	Rohrklemme mit 30 mm Durchmesser (Blatchford)
Aufbauhöhe:	127 mm
Proximale Pyramide bis distales Rohrende	(+130 mm)
[Siehe <i>Anpassungslänge</i> auf Seite 53]	

Anpassungslänge





14 Bestellinformationen

Bestellbeispiel

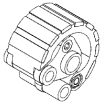


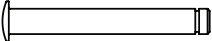




BMK2

14.1 Ersatzteile


Extensionsstopp-Kit 239453

Beschreibung	Menge	Illustration
Extensionsstopp – BMK2	4	
Anpassungsanweisungen	1	


Kit für Stabilisierungsmechanismus 239553

Beschreibung	Menge	Illustration
Kompakter Stabilisierungsmechanismus	1	
Staubschutz LH	1	
Staubschutz RH	1	
Querstift	2	
Halterung äußerer „E“-Ring	2	
Aufbaustift	2	
Warnschild Anpassung BMK2	1	
Anpassungsanweisungen	1	

Extensionspuffer

Beschreibung	Menge	Artikelnummer	Illustration
Extensionspuffer	1	B-0000021	

Verbrauchsmaterialien

Beschreibung	Menge	Artikelnummer	Illustration
STP-Ölbehandlung	b.B.	928105	
Loctite 222	b.B.	926001	
Schraubensicherungsmittel	b.B.	926104	
Loctite 424 Fügeklebstoff			

Haftung

Der Hersteller empfiehlt, das Produkt nur unter den angegebenen Bedingungen und für die angegebenen Zwecke zu verwenden. Das Produkt muss entsprechend der mit dem Produkt gelieferten Gebrauchsanweisung gewartet werden. Der Hersteller haftet nicht für nachteilige Ergebnisse, die durch nicht autorisierte Komponentenkombinationen entstanden sind.

CE-Konformität

Das Produkt erfüllt die Anforderungen der europäischen Richtlinie EU 2017/745 für Medizinprodukte. Dieses Produkt wurde entsprechend den Klassifizierungskriterien in Anhang VIII der Richtlinie als Produkt der Klasse I klassifiziert. Das Zertifikat der EU-Konformitätserklärung ist unter der folgenden Internetadresse verfügbar:

www.blatchford.co.uk



Medizinprodukt



Ein Patient – Mehrfachverwendung

Kompatibilität

Die Kombination mit Produkten der Marke Blatchford ist zulässig basierend auf Tests gemäß den geltenden Normen und der MDR mit strukturellen Tests, dimensionaler Kompatibilität und überwachter Praxisleistung.

Die Kombination mit alternativen, CE-gekennzeichneten Produkten darf nur nach einer dokumentierten lokalen Risikobeurteilung durch eine Fachkraft erfolgen.

Garantie

Das Produkt verfügt über eine Garantie von 24 Monaten ab Kaufdatum, außer anderweitig angegeben. Der kompakte Stabilisierungsmechanismus verfügt über eine Garantie von 12 Monaten ab Kaufdatum, außer anderweitig angegeben. Verschleiß des Bremsbandes ist von der Garantie ausgenommen. Der Anwender muss sich bewusst sein, dass nicht ausdrücklich genehmigte Änderungen oder Modifikationen zum Verfall der Garantie, Betriebsgenehmigung und Ausnahmen führen können. Auf der Blatchford-Website finden Sie die aktuellen, detaillierten Garantiebedingungen einschließlich Verschleiß.

Bericht schwerer Zwischenfälle

Im unwahrscheinlichen Fall eines schweren Zwischenfalls in Verbindung mit diesem Produkt muss der Zwischenfall dem Hersteller und der für Ihr Land zuständigen Behörde gemeldet werden.

Umweltaspekte

Wenn möglich, sollten die Komponenten entsprechend den vor Ort geltenden Abfallvorschriften recycelt werden.

Aufbewahrung des Verpackungsetiketts

Wir raten Ihnen, das Verpackungsetikett als Aufzeichnung zum gelieferten Produkt aufzubewahren.

Hinweise zu Handelsmarken

Blatchford ist eine eingetragene Marke von Blatchford Products Limited.

Eingetragene Adresse des Herstellers

 Blatchford Products Limited, Lister Road, Basingstoke RG22 4AH, UK

Indice	56
1 Descrizione e finalità	57
2 Informazioni sulla sicurezza	58
3 Struttura	59
4 Funzionamento	59
5 Manutenzione	60
6 Limiti di utilizzo	61
7 Allineamento a banco	62
8 Indicazioni per l'allineamento e regolazione della stabilità	63
9 Allineamento dinamico	64
10 Manutenzione del meccanismo di stabilizzazione	65
11 Mantenimento dell'ammortizzatore di estensione	69
12 Risoluzione dei problemi	70
13 Dati tecnici	70
14 Informazioni sulle ordinazioni	71
14.1 Ricambi	71

1 Descrizione e finalità

Le presenti istruzioni sono destinate al medico/tecnico ortopedico.

Il termine *dispositivo* è utilizzato in questo documento per fare riferimento ai prodotti per ginocchio BMK2.

Accertarsi che il paziente abbia compreso tutte le istruzioni per l'uso, richiamando in particolare l'attenzione sulla sezione relativa alla manutenzione e alla sicurezza.

I pazienti devono seguire una riabilitazione all'andatura prima di utilizzare il dispositivo.

Applicazione

Questo dispositivo deve essere utilizzato esclusivamente quale parte di una protesi di arto inferiore.

Il dispositivo è un ginocchio compatto a frizione attivata dal peso e regolazione dell'estensione mediante un'apposita lamina.

Questo dispositivo è destinato a un solo utente.

Caratteristiche

- Supporto in appoggio regolabile attivato dal peso
- Estensione regolabile, con funzione integrata di smorzamento dell'impatto terminale
- Angolo di flessione massimo di 130 °

Livello di attività

Questo dispositivo è raccomandato per i pazienti con livello di attività 1 e 2. Per il peso massimo del paziente, vedere la sezione 13 *Dati tecnici*.

Livello di attività 1

Ha la capacità o la potenzialità di usare una protesi per il passaggio o la deambulazione su superfici piane a cadenza fissa. Situazione tipica del paziente che deambula all'interno della propria abitazione in modo limitato o illimitato.

Livello di attività 2

Ha la capacità o la potenzialità di deambulare riuscendo a superare barriere architettoniche di basso livello quali marciapiedi, scale o superfici irregolari. Situazione tipica del paziente che deambula fuori dalla propria abitazione in modo limitato.

Livello di attività 3

Ha la capacità o il potenziale per deambulare con cadenza variabile. Situazione tipica del paziente che deambula fuori dalla propria abitazione, che è in grado di superare la maggior parte delle barriere architettoniche e che può svolgere attività professionali, terapeutiche o fisiche che richiedono l'uso di protesi al di là della semplice deambulazione.

Livello di attività 4

Il paziente riesce o ha una potenziale capacità di deambulazione protesica che supera le abilità di deambulazione di base, dimostrando impatto, stress o livelli energetici elevati. Situazione tipica delle richieste protesiche del bambino, dell'adulto attivo o dell'atleta.

Controindicazioni

Questo dispositivo non è idoneo per pazienti con:

- Debolezza muscolare estrema, contratture non trattabili correttamente o disfunzioni propriocettive compreso lo scarso equilibrio.
- Instabilità o patologie dell'articolazione controlaterale.
- Condizioni complicate che comprendono molteplici disabilità.
- I pazienti, compresi coloro che hanno subito amputazioni transfemorali bilaterali, che richiedono una funzione in carico dal ginocchio per scendere le scale o sedersi. Ciò può provocare un danno al meccanismo di freno che può compromettere la stabilità e la durata.

Vantaggi clinici

- La stabilizzazione del ginocchio si attiva perfettamente sul sostegno del peso per dare sicurezza nella fase di appoggio e nel percorrere un terreno accidentato. Poi viene rilasciata con precisione sull'avampiede.
- L'azione resiliente del meccanismo di stabilizzazione conferisce una flessione di appoggio limitata che riduce lo shock all'appoggio del tallone.

2 Informazioni sulla sicurezza



Questo simbolo evidenzia importanti informazioni sulla sicurezza che devono essere seguite con attenzione.



Tutte le variazioni alle prestazioni o delle funzionalità del ginocchio, ad esempio limitazioni del movimento, movimento non fluido devono essere segnalate immediatamente al tecnico. Durante l'oscillazione terminale subito prima dell'appoggio del tallone, si potrebbe sentire un rumore di impatto dovuto all'assistenza all'estensione, poiché l'arto raggiunge l'estensione completa.



Appoggiarsi sempre a un corrimano nella discesa delle scale e in qualsiasi altro momento, se disponibile.

Evitare l'esposizione a calore e/o freddo molto intensi.



Il dispositivo non è destinato all'uso nell'acqua o quale protesi per doccia. Se entra a contatto con l'acqua, asciugarlo immediatamente.



Il dispositivo non è destinato a sport estremi, corsa o ciclismo, sport invernali o su ghiaccio, pendenze e scalini ripidi. Lo svolgimento di tali attività è a totale rischio del paziente.



Il montaggio, la manutenzione e la riparazione del dispositivo devono essere eseguiti solo dal personale competente.



Durante la manutenzione del dispositivo, verificare che non vi sia grasso nel tamburo del freno.



Assicurarsi di guidare solo veicoli modificati. Tutte le persone sono tenute a osservare i rispettivi codici della strada quando si trovano alla guida di veicoli a motore.



Il paziente non deve regolare o modificare la configurazione del dispositivo.



In caso di variazione delle condizioni, si raccomanda al paziente di contattare il proprio tecnico ortopedico.



Prestare costantemente attenzione al rischio di intrappolamento delle dita.



Tutte le variazioni eccessive nell'altezza del tallone dopo l'allineamento possono influire negativamente sul funzionamento dell'arto.

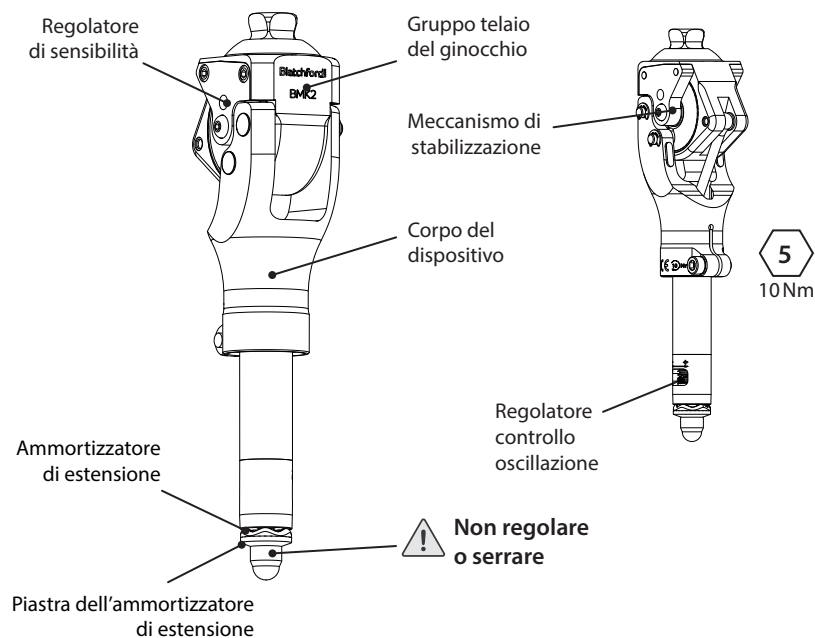
3 Struttura

Componenti principali

- Corpo (alluminio, acciaio inossidabile, poliuretano, feltro)
- Gruppo telaio del ginocchio (alluminio, acciaio inossidabile)
- Meccanismo di stabilizzazione (alluminio, ottone, resina acetalica omopolimero, poliuretano, gomma sintetica)

Nota... Il materiale di frizione nel meccanismo di stabilizzazione non contiene amianto.

Identificazione dei componenti



4 Funzionamento

Il ginocchio è attivato dal peso e la sensibilità può essere personalizzata per adattarsi alle esigenze di stabilità dell'utente.

Il controllo dell'oscillazione è regolabile modificando la compressione sulla molla elicoidale che regola l'estensione e il sollevamento del ginocchio.

Il dispositivo garantisce la flessione durante l'attivazione del freno in conseguenza alla resilienza del meccanismo del nastro del freno.

5 Manutenzione

La manutenzione deve essere svolta da personale competente.

Si raccomanda di eseguire le seguenti operazioni di manutenzione annualmente:

- Controllare che tutte le viti non appartenenti al regolatore siano serrate (consultare la sezione Struttura) (NON serrare il dado coperto all'estremità distale).
- Pulire il cuscinetto del freno e sostituire i fermi di estensione (vedere la sezione 10 *Manutenzione del meccanismo di stabilizzazione* per la procedura corretta).
- Qualora si percepissero rumori insoliti, come cigolii e scricchiolii, e/o una ridotta stabilità, eseguire la manutenzione del meccanismo di stabilizzazione. Vedere sezione 10 *Manutenzione del meccanismo di stabilizzazione*. Se i rumori persistono, contattare il rappresentante di Blatchford.
- L'usura dell'ammortizzatore di estensione è accettabile. Se si percepisce un rumore eccessivo durante l'estensione completa, sostituire l'ammortizzatore di estensione. Vedere sezione 11 *Mantenimento dell'ammortizzatore di estensione*.
- Verificare la presenza di gioco eccessivo mediale-laterale del telaio.
- Se il bordo posteriore del cuscinetto del nastro del freno è usurato fino alla plastica del nastro, sostituire l'intero nastro del freno. (Nota: i singoli cuscinetti non possono essere sostituiti)
- Accertarsi che l'orientamento del nastro del freno sia corretto al momento del riassettaggio. Prima dell'uso controllare sempre la stabilità.

Al paziente deve essere consegnata l'apposita guida. Raccomandare al paziente di rivolgersi al proprio tecnico ortopedico in caso di variazione delle condizioni seguenti:

- Variazione di peso corporeo o di livello di attività
- Variazione della prestazione del dispositivo

Per variazioni delle prestazioni si intende, a titolo esemplificativo:

- Oscillazione limitata
- Cambiamenti nella libertà dell'oscillazione
- Ridotta stabilità in fase di appoggio
- Rumori insoliti

Pulizia

Pulire le superfici esterne con un panno umido e detergente neutro; NON utilizzare detergenti aggressivi. Asciugare accuratamente prima dell'uso.

6 Limiti di utilizzo

Durata prevista

La durata del prodotto è coperta dal periodo di garanzia. È necessario effettuare una valutazione del rischio specifica in base all'attività e all'utilizzo del dispositivo.

Sollevamento carichi

Il peso e l'attività del paziente devono rispettare i limiti indicati.

Il peso trasportato dal paziente deve basarsi sulla valutazione del rischio specifico.

Nota... il dispositivo è attivato dal peso e il trasporto di carichi può provocare un innesco più rapido del supporto in fase di appoggio.

Ambiente

Evitare l'esposizione del dispositivo a elementi corrosivi, quali acqua, acidi e altri liquidi. Evitare inoltre ambienti abrasivi come ad esempio quelli contenenti sabbia, poiché favoriscono l'usura prematura.



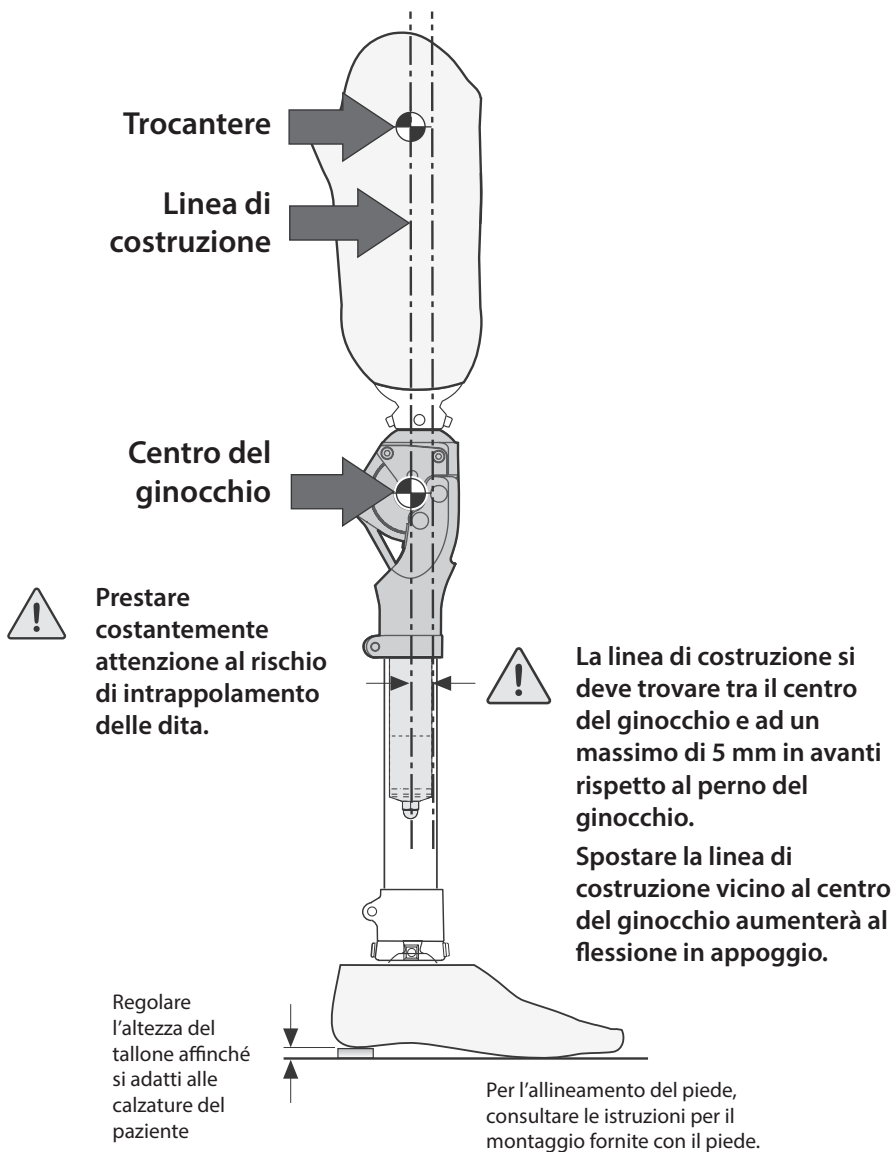
Adatto all'utilizzo in ambiente esterno



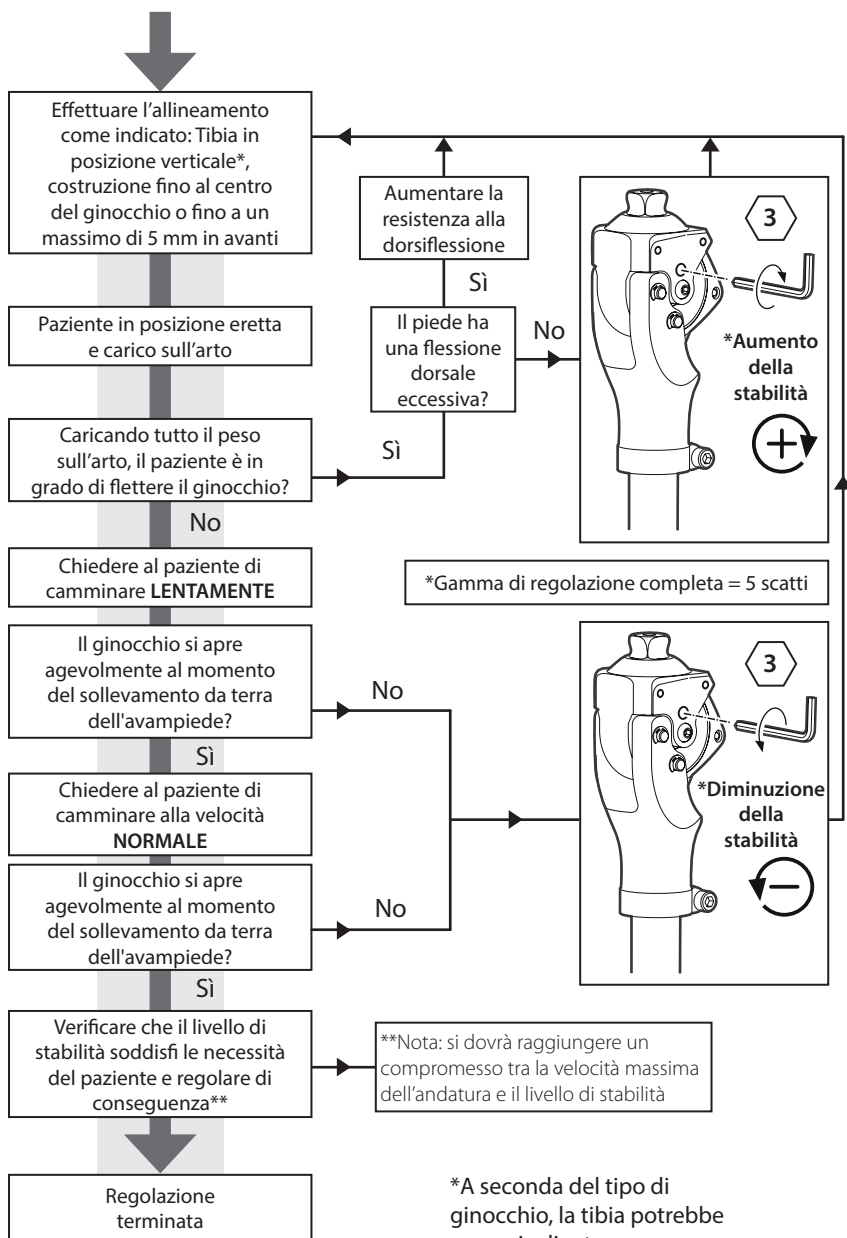
Utilizzare esclusivamente a temperature comprese tra -15 °C e 50 °C.

7 Allineamento a banco

Quando si allinea una protesi che monta il dispositivo, la posizione della linea di costruzione è critica. Il ginocchio deve essere allineato in modo da essere geometricamente stabile. Con la flessione completamente accomodata nella cavità, la linea di costruzione deve passare attraverso il trocantere e il centro del ginocchio, o in una linea parallela a questa, fino a 5 mm in avanti rispetto al centro del ginocchio.



8 Indicazioni per l'allineamento e regolazione della stabilità

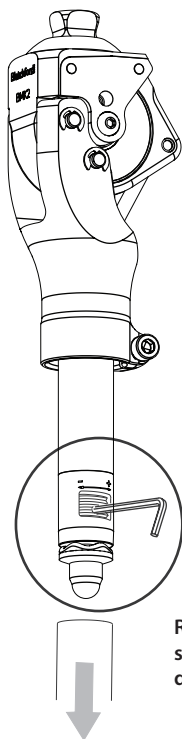
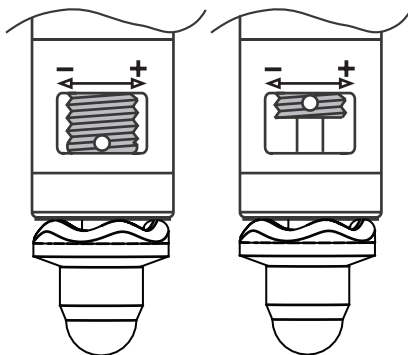


9 Allineamento dinamico

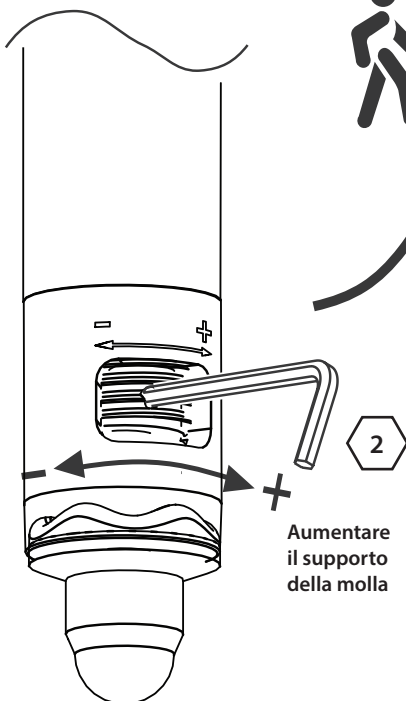
Regolazione del controllo dell'oscillazione (regolazione dell'estensione)

Nota: se azionato manualmente, è normale avvertire l'impatto di fine corsa immediatamente prima dell'estensione completa del ginocchio.

Situazione	Soluzione
Il tallone si solleva eccessivamente durante l'oscillazione o il dispositivo non si estende completamente durante l'oscillazione.	Aumentare il supporto della molla
Il tallone si alza troppo poco durante l'oscillazione o il paziente avverte l'impatto terminale.	Ridurre il supporto della molla





Ridurre il supporto della molla

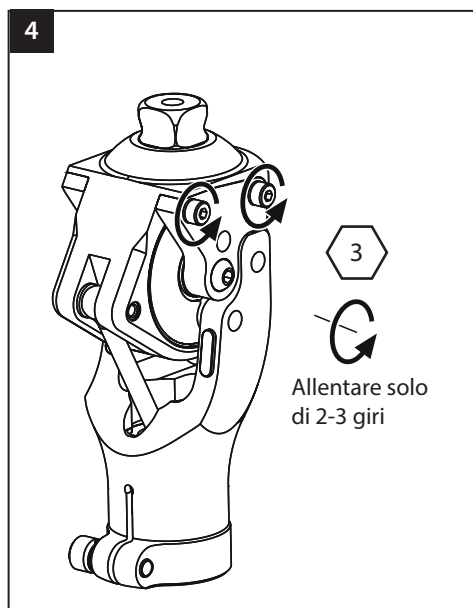
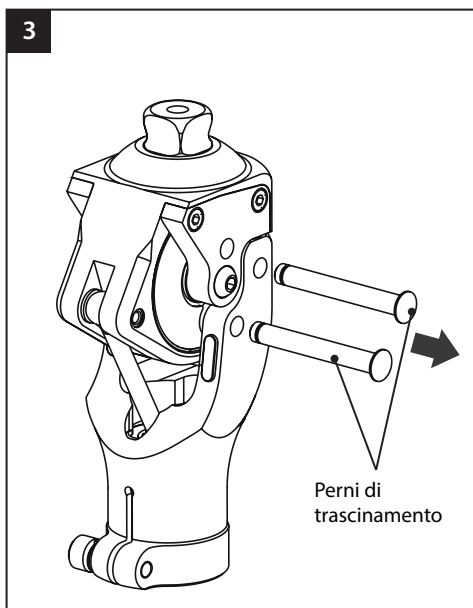
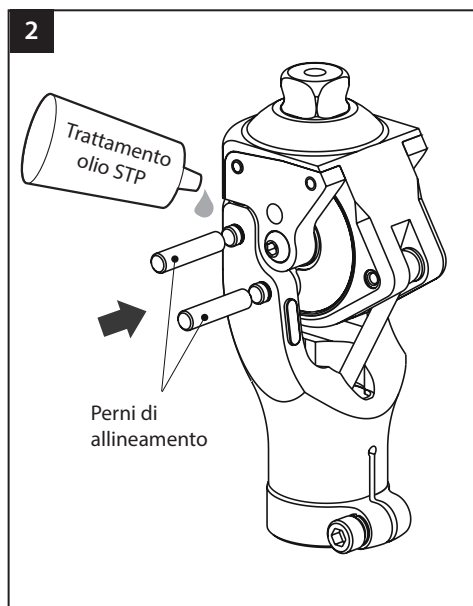
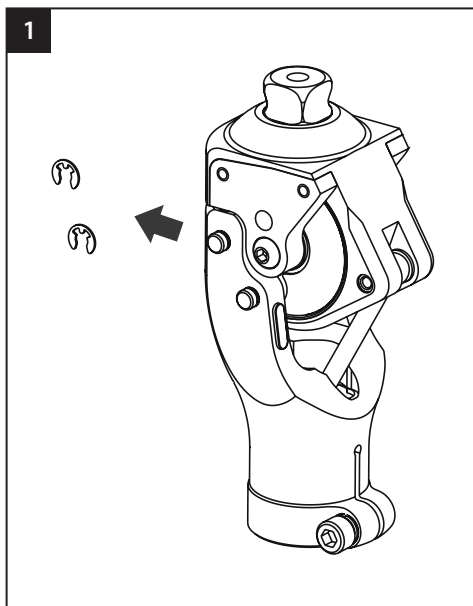


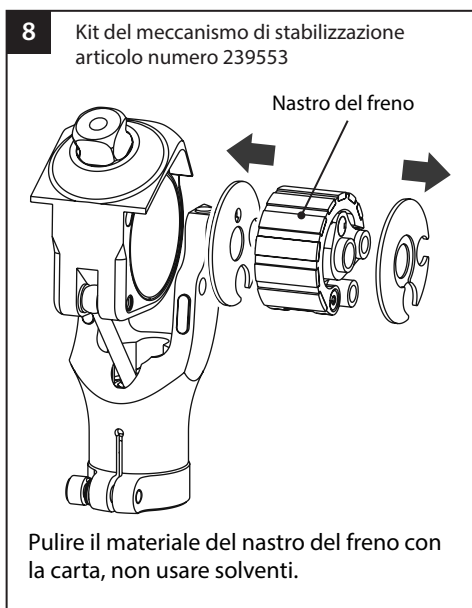
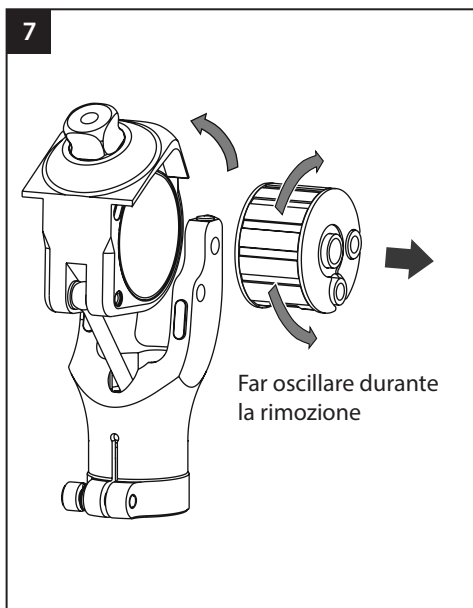
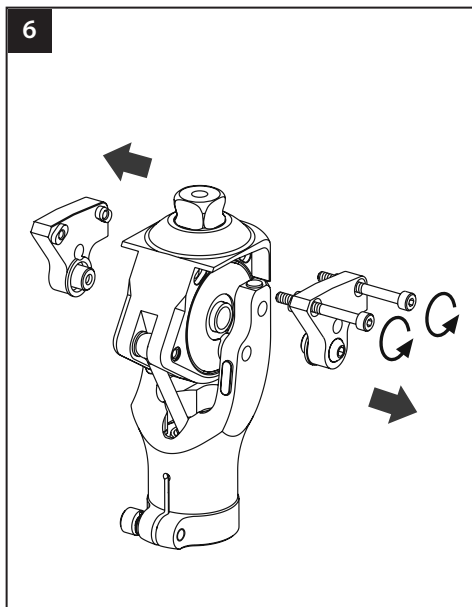
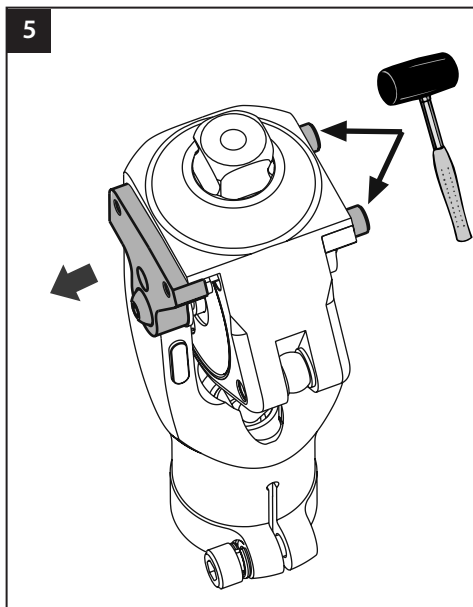
Aumentare il supporto della molla

10 Manutenzione del meccanismo di stabilizzazione

 Utilizzare sempre apparecchiature sanitarie e di sicurezza comprese le strutture di estrazione.

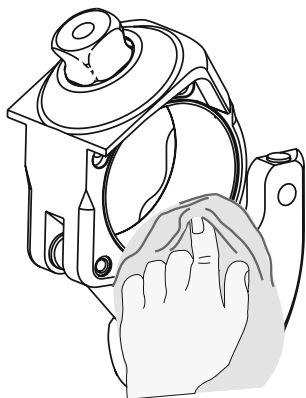
 Prestare costantemente attenzione al rischio di intrappolamento delle dita.





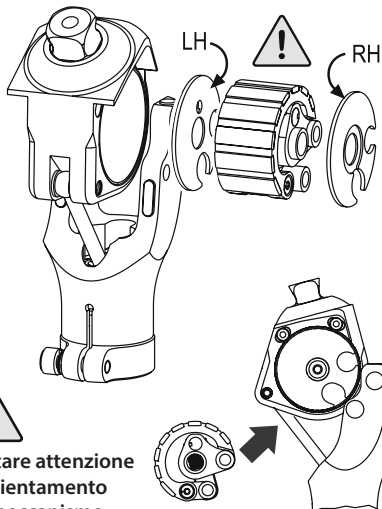
9

Pulire la parte interna con un solvente idoneo.



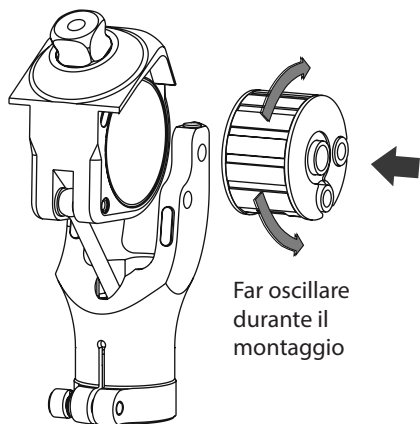
10

Rimontaggio del meccanismo



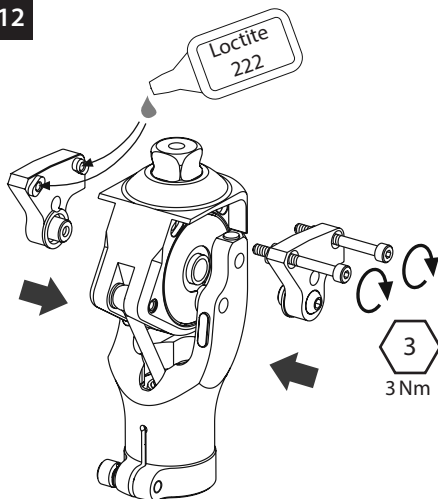
Prestare attenzione all'orientamento del meccanismo

11



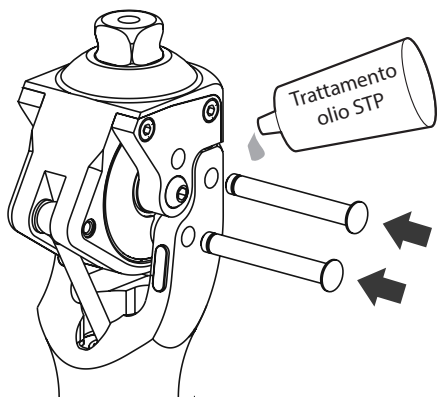
Far oscillare durante il montaggio

12



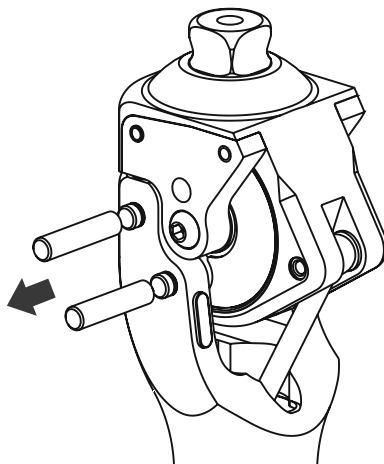
3
3 Nm

- 13** Applicare un sottile strato di lubrificante (articolo numero 928105) ai perni di trascinamento.

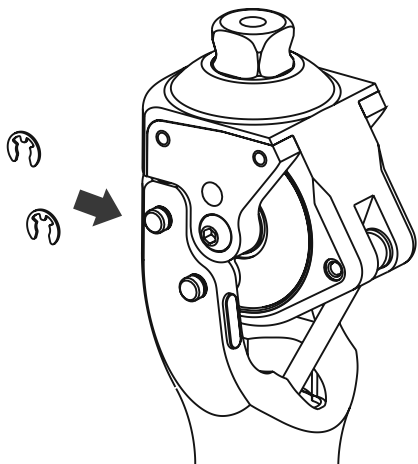


! Accertarsi che il lubrificante non si insinui nel tamburo del freno. Questo può provocare l'instabilità del dispositivo.

14



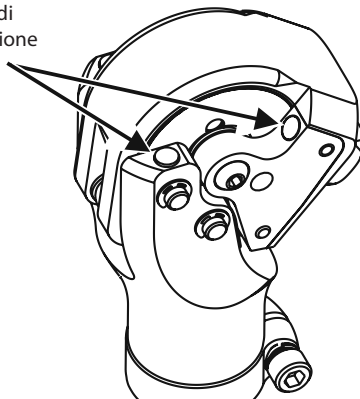
15



16

Sostituire annualmente tutti e 4 i fermi di estensione. Kit dei fermi di estensione articolo numero 239453

Fermi di estensione



Dopo ogni intervento di manutenzione è importante ricontrollare la regolazione della stabilità del paziente.

Consultare il diagramma sulle Indicazioni per l'allineamento e regolazione della stabilità.

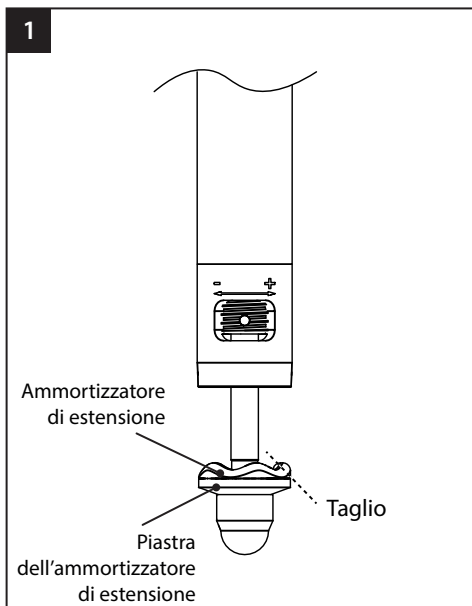
11 Mantenimento dell'ammortizzatore di estensione



Utilizzare sempre apparecchiature sanitarie e di sicurezza comprese le strutture di estrazione.

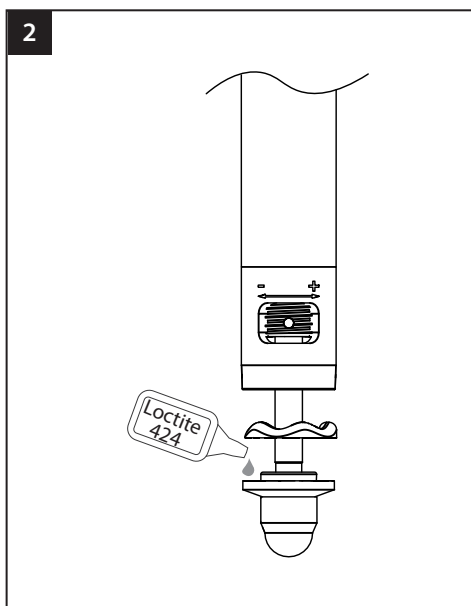


Prestare costantemente attenzione al rischio di intrappolamento delle dita.



Con un coltello, tagliare e rimuovere il vecchio ammortizzatore di estensione.

Pulire la superficie superiore dell'ammortizzatore di estensione usando un solvente adatto.



Distendere il nuovo ammortizzatore di estensione sulla piastra dell'ammortizzatore di estensione.

Fissare l'ammortizzatore di estensione alla piastra dell'ammortizzatore di estensione con Loctite 424.

12 Risoluzione dei problemi

Problema	Soluzione
Il ginocchio produce un rumore eccessivo.	Pulire il nastro del freno e il tamburo del freno. Applicare il lubrificante ai perni di testa. Vedere la sezione 10 <i>Manutenzione del meccanismo di stabilizzazione</i> per le procedure.
Il ginocchio non si stabilizza.	Controllare la regolazione della stabilità. Vedere la sezione 8 <i>Indicazioni per l'allineamento e regolazione della stabilità</i> . Pulire il tamburo del freno. Controllare il livello di usura sui cuscinetti del freno e sostituire il meccanismo di stabilizzazione se il bordo posteriore del freno è danneggiato. Vedere la sezione 10 <i>Manutenzione del meccanismo di stabilizzazione per le procedure</i> .
Il ginocchio non viene rilasciato.	Controllare la regolazione della stabilità. Vedere la sezione 8 <i>Indicazioni per l'allineamento e regolazione della stabilità</i> .

13 Dati tecnici

Intervallo di temperatura di esercizio e stoccaggio: da -15 °C a 50 °C

Peso del componente: 580 g

Livello di attività consigliato: 2

Peso massimo del paziente: 125 kg

Attacco di allineamento prossimale: Piramide maschio rotante (Blatchford)

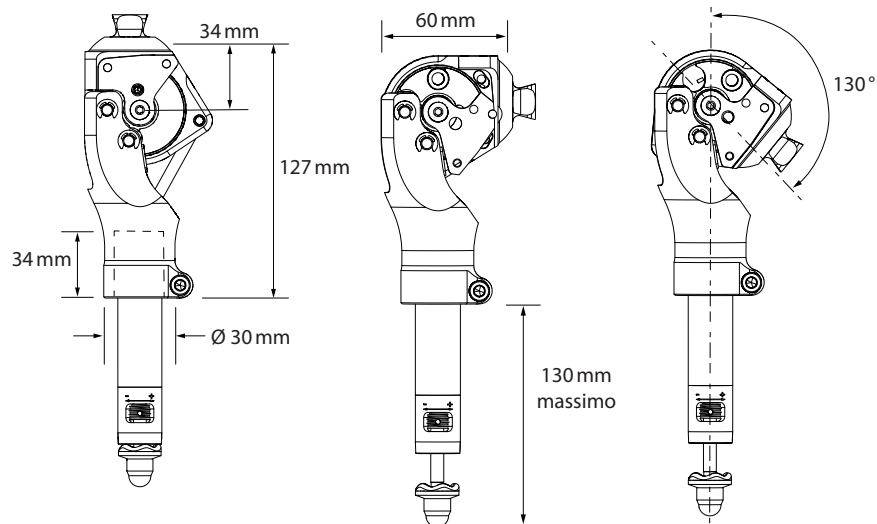
Attacco distale: Attacco per tubo diametro 30 mm (Blatchford)

Ingombro verticale: 127 mm

Dalla piramide distale all'estremità del tubo distale (+130 mm)

[Vedere *Lunghezza di montaggio* a pagina 71]

Lunghezza di montaggio



14 Informazioni sulle ordinazioni

Esempio di ordine

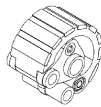


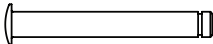

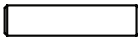


BMK2

14.1 Ricambi


Kit dei fermi di estensione 239453

Descrizione	Qtà	Immagine
Fermi di estensione - BMK2	4	
Istruzioni di montaggio	1	


Kit del meccanismo di stabilizzazione 239553

Descrizione	Qtà	Immagine
Meccanismo di stabilizzazione compatto	1	
Piastra antipolvere SX	1	
Piastra antipolvere DX	1	
Perno di trascinamento	2	
Anello "E" di tenuta esterno	2	
Perno di allineamento	2	
Placca di avvertenza regolazione BMK2	1	
Istruzioni di montaggio	1	

Ammortizzatore di estensione

Descrizione	Qtà	Codice articolo	Immagine
Ammortizzatore di estensione	1	B-0000021	

Materiali di consumo

Descrizione	Qtà	Codice articolo	Immagine
Trattamento olio STP	Secondo richiesta	928105	
Frenafletti Loctite 222	Secondo richiesta	926001	
Adesivo Loctite 424	Secondo richiesta	926104	

Responsabilità

Il produttore raccomanda l'utilizzo del dispositivo esclusivamente nelle condizioni specificate e per gli impieghi previsti. Il dispositivo deve essere sottoposto a manutenzione conformemente alle istruzioni per l'uso fornite con il dispositivo. Il produttore non è responsabile dei danni causati dalle combinazioni dei componenti non autorizzati dal produttore.

Conformità CE

Questo prodotto soddisfa i requisiti del Regolamento europeo UE 2017/745 relativo ai dispositivi medici. Il presente prodotto è stato classificato come dispositivo di classe I in base ai criteri di classificazione delineati nell'Allegato VIII del regolamento. Il certificato di dichiarazione di conformità UE è disponibile al seguente indirizzo di posta elettronica: www.blatchford.co.uk



Dispositivo medico



Monopaziente – Utilizzo multiplo

Compatibilità

La combinazione con i prodotti a marchio Blatchford è approvata in base a test condotti in conformità alle norme pertinenti e all'MDR, compresi test strutturali, compatibilità dimensionale e prestazioni sul campo monitorate.

La combinazione con prodotti alternativi a marchio CE deve essere eseguita in considerazione di una valutazione del rischio locale documentata svolta da un tecnico ortopedico.

Garanzia

Questo dispositivo è garantito per 24 mesi a partire dalla data di acquisto, fatto salvo quanto diversamente specificato. Il meccanismo di stabilizzazione compatto è garantito per 12 mesi a partire dalla data di acquisto, fatto salvo quanto diversamente specificato. L'usura del nastro del freno è esclusa dalla garanzia. Il paziente deve essere informato che eventuali variazioni o modifiche non espressamente approvate possono comportare l'annullamento della garanzia e il decadimento delle licenze operative e delle esenzioni. Consultare sul sito web Blatchford la dichiarazione di garanzia completa vigente, compresa l'usura.

Segnalazione di incidenti gravi

Nell'improbabile caso di incidente grave che si verifica in relazione a questo dispositivo, si raccomanda di inviare una segnalazione al produttore e all'autorità nazionale competente.

Indicazioni ambientali

Ove possibile, i componenti devono essere riciclati in conformità con le normative in materia di gestione dei rifiuti vigenti a livello locale.

Conservare l'etichetta dell'imballaggio

Si consiglia di conservare l'etichetta dell'imballaggio come documentazione del dispositivo fornito.

Riconoscimento dei marchi commerciali

Blatchford è un marchio registrato di Blatchford Products Limited.

Sede legale del produttore

 Blatchford Products Limited, Lister Road, Basingstoke RG22 4AH, UK

Contenido	74
1 Descripción y uso previsto.....	75
2 Información de seguridad.....	76
3 Estructura	77
4 Función	77
5 Mantenimiento	78
6 Limitaciones de uso.....	79
7 Alineación de banco	80
8 Consejos de alineación y ajuste de la estabilidad	81
9 Alineación dinámica.....	82
10 Mantenimiento del mecanismo estabilizado	83
11 Mantenimiento del amortiguador de extensión	87
12 Solución de problemas	88
13 Datos técnicos	88
14 Información para pedidos.....	89
14.1 Repuestos	89

1 Descripción y uso previsto

Estas instrucciones están dirigidas al médico o profesional sanitario.

El término *dispositivo* se utiliza en estas instrucciones de uso para referirse a la rodilla BMK2.

Asegúrese de que el usuario entienda todas las instrucciones de uso, con particular atención a la información de mantenimiento y seguridad.

Antes de utilizar este dispositivo, debe enseñarse a los usuarios cómo caminar con él.

Aplicación

Este dispositivo debe utilizarse únicamente como parte de una prótesis de extremidad inferior.

El dispositivo es una rodilla compacta activada por el peso con control de flexo-extensión ajustable.

Este dispositivo está destinado a su uso por un solo usuario.

Funciones

- Control del apoyo activado por el peso
- Control de flexo-extensión ajustable con amortiguación del impacto terminal
- Angulo máximo de flexión de 130°

Nivel de actividad

Este dispositivo está destinado a usuarios con niveles de actividad 1 y 2. Existen límites de peso máximo del usuario; consultar la sección 13 *Datos técnicos*.

Nivel de actividad 1

Tiene la capacidad o el potencial de utilizar una prótesis para la transferencia o la ambulación sobre superficies regulares con cadencia de marcha fija. Esto es típico de los usuarios ambulatorios con capacidad limitada o ilimitada de caminar dentro de su casa.

Nivel de actividad 2

Tiene la capacidad o el potencial de ambulación y puede salvar barreras del entorno de bajo nivel, como bordillos, escaleras o superficies irregulares. Esto es típico de los usuarios ambulatorios con capacidad limitada para caminar en su entorno exterior.

Nivel de actividad 3

Tiene la capacidad o el potencial de ambulación con cadencia de marcha variable. Típico del usuario ambulatorio con capacidad para caminar por su entorno exterior y salvar la mayoría de barreras del entorno, con un interés por realizar actividades vocacionales, terapéuticas o de ejercicio que exijan utilizar la prótesis para más que la simple locomoción.

Nivel de actividad 4

Tiene una capacidad o potencial de ambulación con prótesis que excede las habilidades de ambulación básica, con altos niveles de impacto, tensión o energía. Típico de las exigencias de una prótesis para niños, adultos activos o atletas.

Contraindicaciones

El dispositivo no es apto para usuarios con:

- Debilidad muscular extrema, contracturas que no es posible acomodar correctamente, o disfunción propioceptiva, incluidos problemas de equilibrio.
- Inestabilidad o patología de la articulación contralateral.
- Cuadros clínicos complejos con múltiples discapacidades.
- Usuarios, incluidos los amputados transfemorales bilaterales, que necesiten una rodilla con función de límite elástico para bajar las escaleras o sentarse. Esto puede dañar el mecanismo de freno, lo que puede afectar negativamente a la estabilidad y la durabilidad.

Beneficios clínicos

- La rodilla estabilizadora se activa suavemente al soportar peso, para dar seguridad al usuario cuando está de pie o caminando sobre un suelo irregular. Seguidamente, se desactiva limpiamente al levantar la punta del pie.
- La acción de resiliencia del mecanismo estabilizador proporciona una flexión de apoyo limitada, lo que reduce el impacto del golpe de talón.

2 Información de seguridad



Este símbolo de advertencia subraya la información importante de seguridad que se debe observar.



Todo cambio en el rendimiento o funcionamiento de la rodilla (por ejemplo, restricción del movimiento, falta de fluidez de movimientos o ruidos inusuales) debe notificarse inmediatamente a su proveedor de servicios. Durante el balanceo terminal, justo antes del golpe de talón, es posible que se escuche el sonido del impacto debido al mecanismo de extensión asistida al extender completamente la extremidad.



Agarrarse siempre a la barandilla al bajar las escaleras y en cualquier otro momento si la hubiera.

Evitar la exposición a extremos de calor y de frío.



El dispositivo no está destinado a su uso en agua ni como prótesis para la ducha. Si la rodilla entra en contacto con el agua, secar inmediatamente con un paño.



El dispositivo no es apto para deportes extremos, carreras de atletismo o ciclismo, deportes de nieve o hielo, cuestras o escalones de inclinación extrema. Si el usuario decide participar en este tipo de actividades, lo hará bajo su cuenta y riesgo.



El montaje, mantenimiento y reparación del dispositivo solo debe llevarlos a cabo un profesional sanitario con la debida titulación.



A la hora de realizar el mantenimiento del dispositivo, asegurarse de que no haya grasa en el tambor de frenado.



Conducir únicamente vehículos debidamente adaptados. Todas las personas deben obedecer el código de circulación correspondiente cuando utilicen vehículos motorizados.



El usuario no debe ajustar ni alterar la configuración del dispositivo.



Se debe recomendar al usuario que se ponga en contacto con su profesional sanitario si cambia su cuadro clínico.



Tener en cuenta en todo momento el riesgo de atraparse los dedos.



Un cambio excesivo en la altura del talón una vez finalizada la alineación puede tener efectos adversos sobre la funcionalidad de la extremidad.

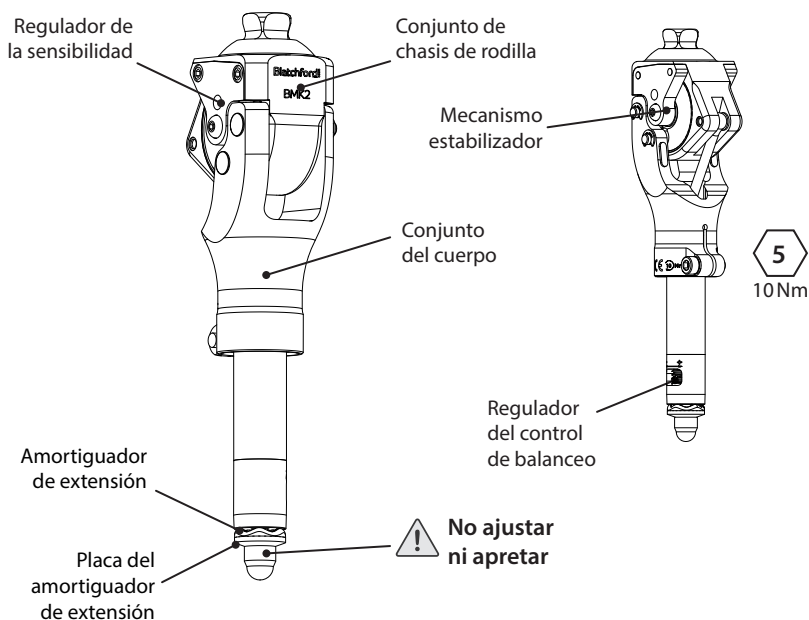
3 Estructura

Componentes principales

- Conjunto del cuerpo (aluminio, acero inoxidable, poliuretano, filtro)
- Conjunto del chasis de la rodilla (aluminio, acero inoxidable)
- Mecanismo estabilizador (aluminio, bronce, homopolímero de acetal, poliuretano, caucho sintético)

Nota... El material de fricción del mecanismo de estabilizado no contiene amianto.

Identificación de componentes



4 Función

La rodilla se activa por el peso y la sensibilidad se puede ajustar según los requisitos de estabilidad del usuario.

El control de balanceo se puede ajustar modificando la compresión sobre un muelle espiral que controla la elevación del talón y la flexo-extensión.

El dispositivo proporciona una acción de flexión de apoyo durante la activación del freno como resultado de la resistencia del mecanismo de la banda de frenado.

5 Mantenimiento

El mantenimiento deben llevarlo a cabo personas competentes.

Se recomienda llevar a cabo las siguientes labores de mantenimiento con frecuencia anual:

- Comprobar que estén apretados todos los tornillos que no sean de ajuste (consultar la sección Estructura; NO apretar la tuerca cubierta del extremo distal).
- Limpiar la zapata de freno y cambiar los topes de extensión (consultar la sección 10 *Mantenimiento del mecanismo estabilizado* para conocer el procedimiento).
- Si se producen ruidos inusuales como chirridos o crujidos y/o la estabilidad se ve reducida, llevar a cabo el mantenimiento del mecanismo estabilizador; consultar la sección 10 *Mantenimiento del mecanismo estabilizado*. Si los ruidos continúan, póngase en contacto con su representante de Blatchford.
- El desgaste del amortiguador de extensión es aceptable. Si el ruido en plena extensión es excesivo, cambiar el amortiguador de extensión. Consultar la sección 11 *Mantenimiento del amortiguador de extensión*.
- Comprobar si hay juego mediolateral excesivo en el chasis.
- Si el borde posterior del freno está desgastado hasta el plástico de la banda de frenado, cambiar la banda de frenado entera. (Nota: No es posible cambiar las zapatas individuales).
- Comprobar que la orientación de la banda de frenado sea correcta al volver a montarla. Comprobar siempre la estabilidad antes de su uso.

Debe entregarse al usuario la Guía de uso provista, y recomendarle que informe al profesional clínico de lo siguiente:

- Cualquier cambio de su peso corporal o nivel de actividad
- Cualquier cambio en el rendimiento de este dispositivo

Los cambios de rendimiento pueden ser, entre otros:

- Restricción del balanceo
- Cambios en la suavidad del balanceo
- Reducción de la estabilidad durante la fase de apoyo
- Cualquier ruido inusual

Limpieza

Limpiar las superficies externas con un paño húmedo y jabón suave. NO utilizar limpiadores agresivos. Secar bien antes de su uso.

6 Limitaciones de uso

Vida útil prevista

La vida útil del producto está cubierta por el período de garantía; se debe llevar a cabo una evaluación de riesgos local según el tipo de actividad y el uso.

Levantamiento de cargas

El peso y la actividad del usuario están gobernados por los límites indicados.

El transporte de cargas por el usuario debe basarse en una evaluación de riesgos local.

Nota... El dispositivo se activa con el peso y llevar cargas puede hacer que el soporte de apoyo se active más fácilmente.

Entorno

Evitar exponer el dispositivo a agentes corrosivos como agua, ácidos y otros líquidos. Evitar también entornos abrasivos, por ejemplo con arena, ya que pueden provocar un desgaste prematuro.

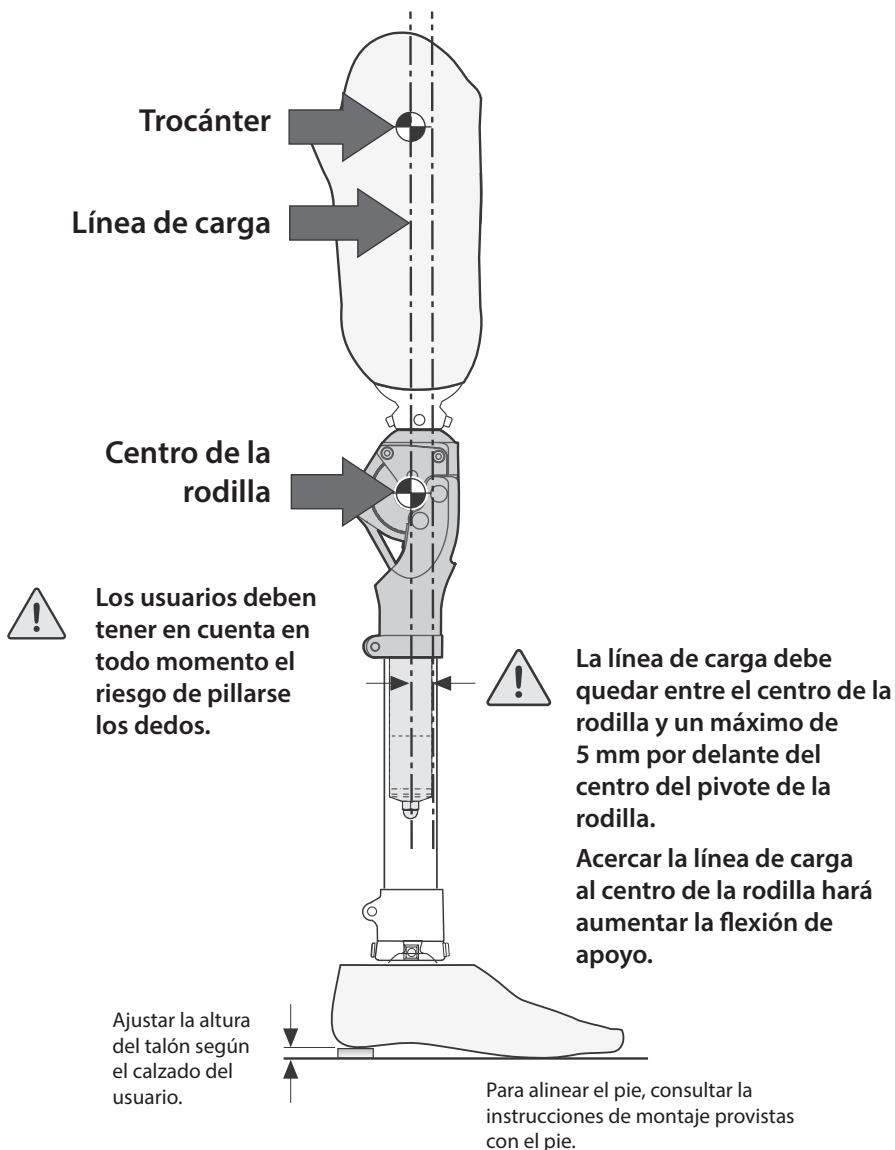


Adecuado para uso en exteriores

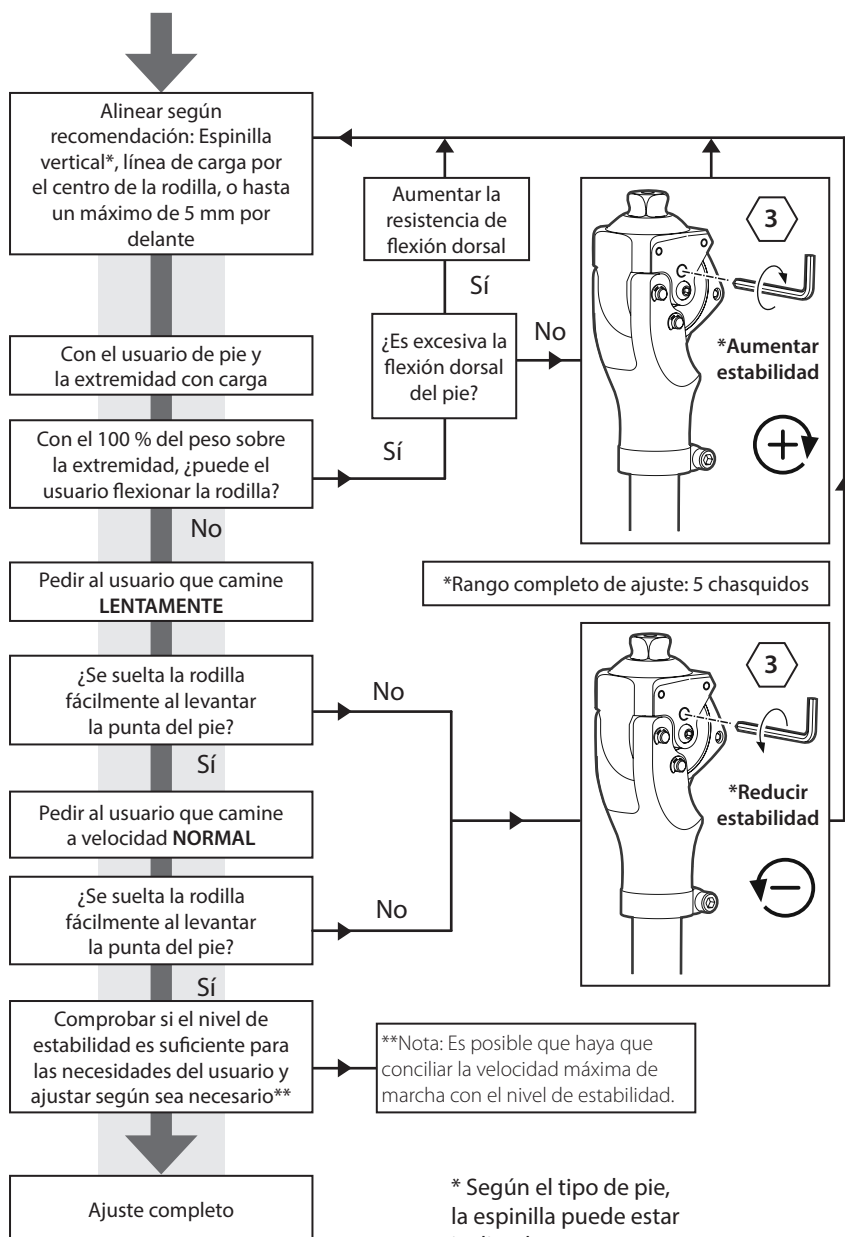
Utilizar exclusivamente con temperaturas comprendidas entre -15 °C y 50 °C.

7 Alineación de banco

A la hora de alinear la prótesis para su uso con este dispositivo, la posición de la línea de carga resulta crítica. La rodilla debe alinearse de forma que se alcance la estabilidad geométrica. Con la flexión plenamente integrada en el encaje, la línea de carga debería pasar por el trocánter y el centro de la rodilla, o en paralelo a estos, un máximo de 5 mm por delante del centro de la rodilla.



8 Consejos de alineación y ajuste de la estabilidad

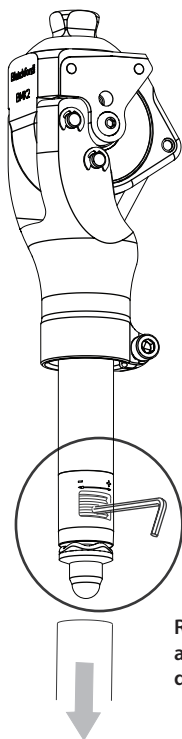


9 Alineación dinámica

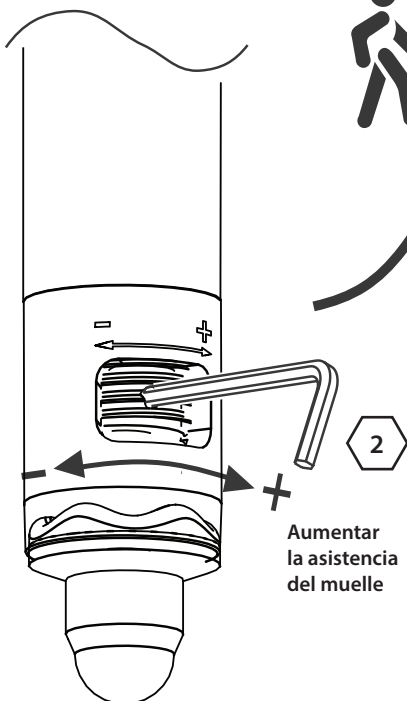
Ajuste del control de balanceo (flexo-extensión)

Nota... Si se hace funcionar a mano, es posible que se perciba la amortiguación de impacto terminal inmediatamente antes de la extensión total; esto es normal.

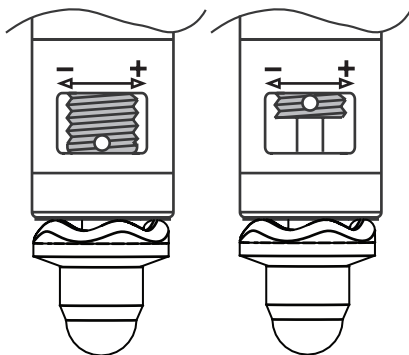
Problema	Solución
El talón se eleva demasiado durante el balanceo o el dispositivo no se extiende completamente durante el balanceo.	Aumentar la asistencia del muelle
El talón no se eleva lo suficiente durante el balanceo o el usuario experimenta impacto terminal.	Reducir la asistencia del muelle




Reducir la asistencia del muelle




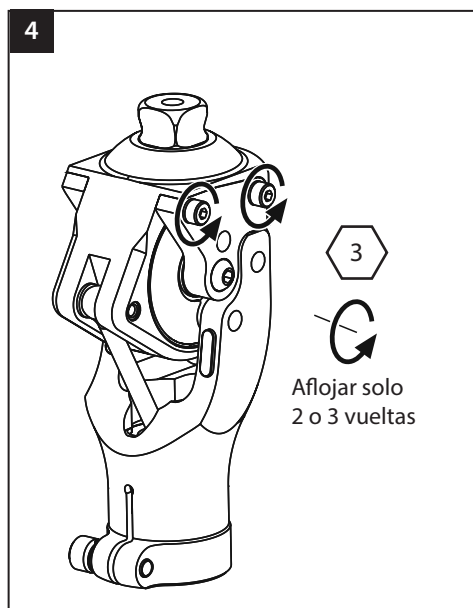
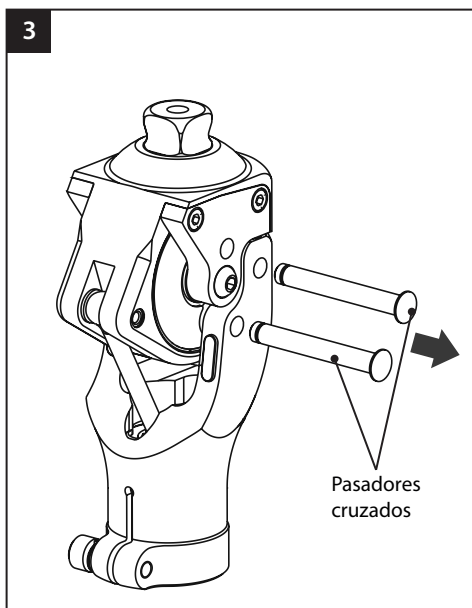
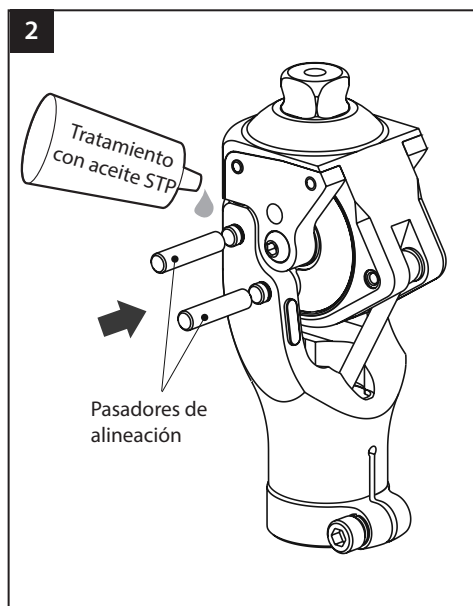
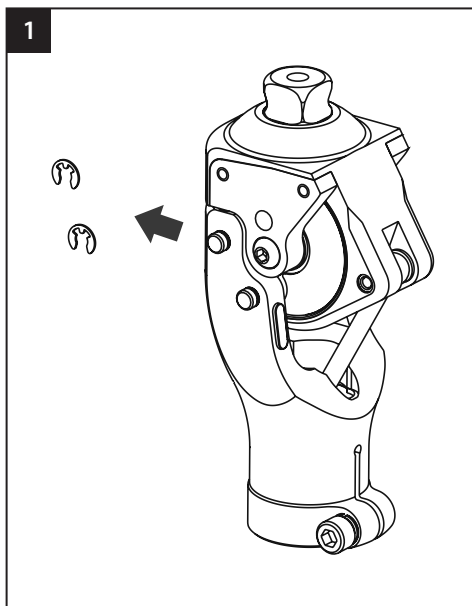
Aumentar la asistencia del muelle

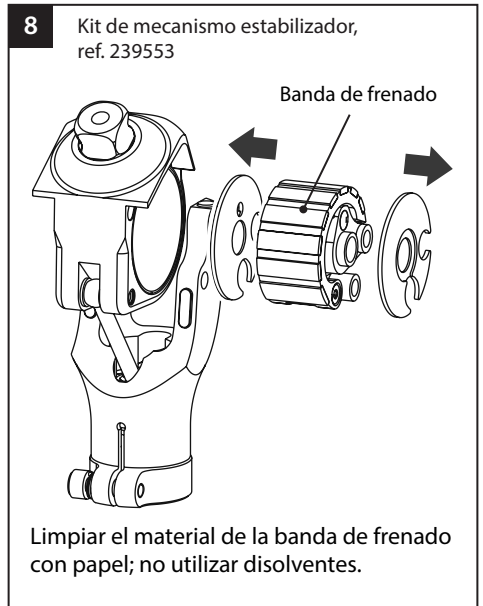
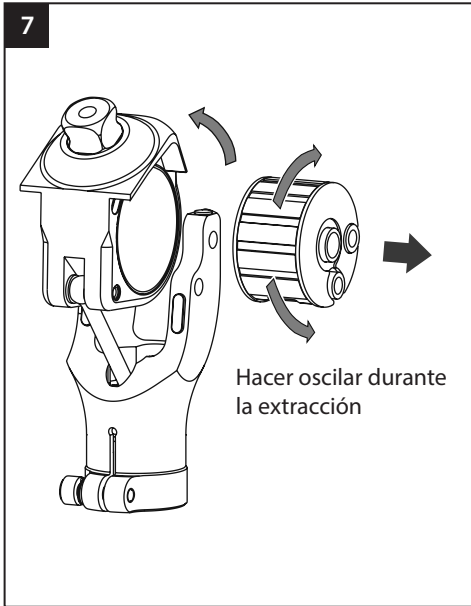
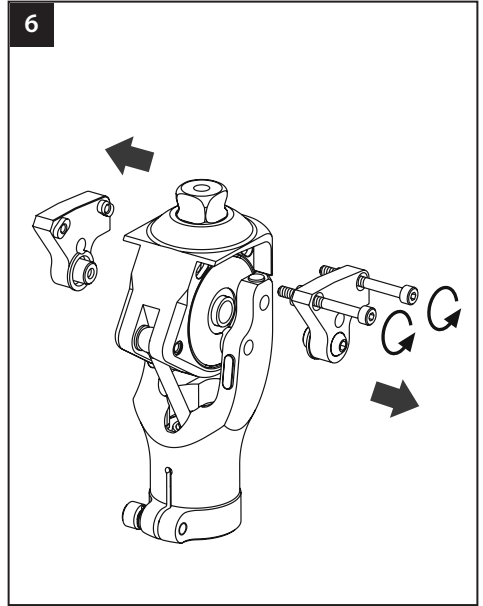
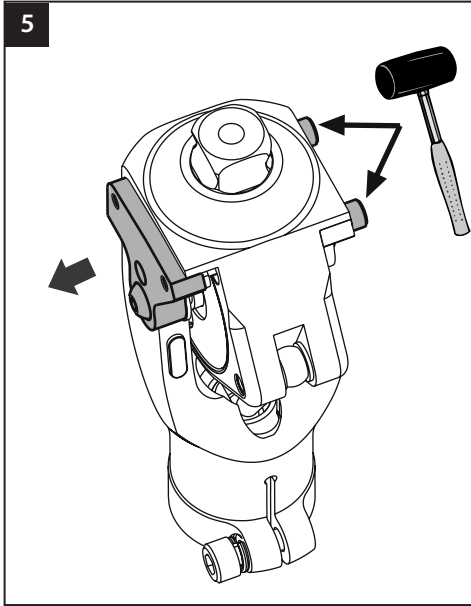


10 Mantenimiento del mecanismo estabilizado

 Utilizar equipo de protección de la salud y la seguridad en todo momento, incluidos medios de extracción.

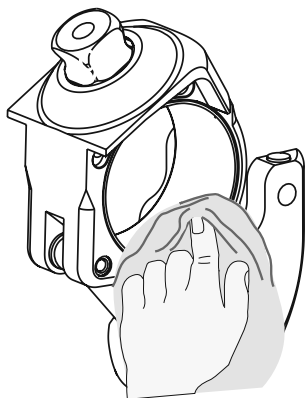
 Tener en cuenta en todo momento el riesgo de atraparse los dedos.





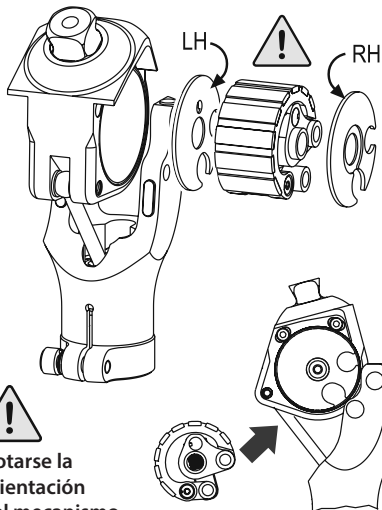
9

Limpiar el diámetro interno con un disolvente adecuado.



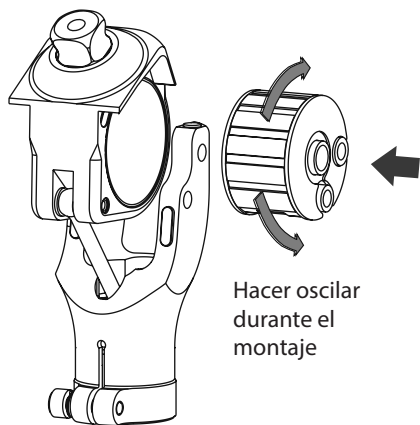
10

Reensamblaje



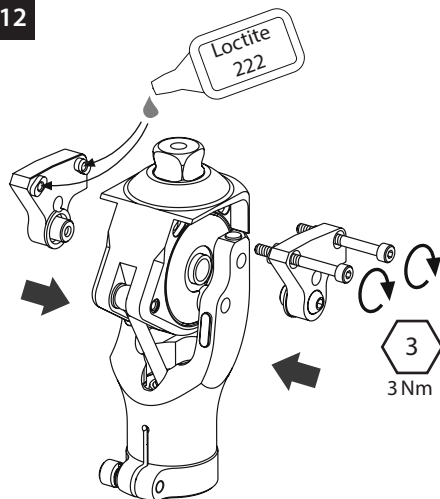
Notarse la orientación del mecanismo

11



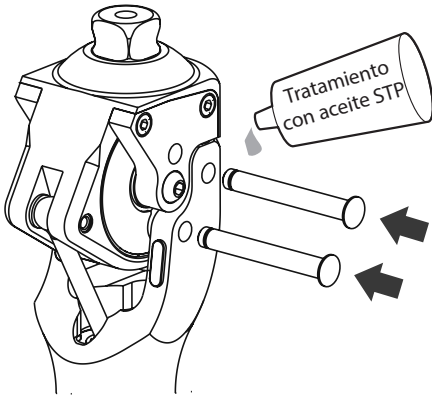
Hacer oscilar durante el montaje

12

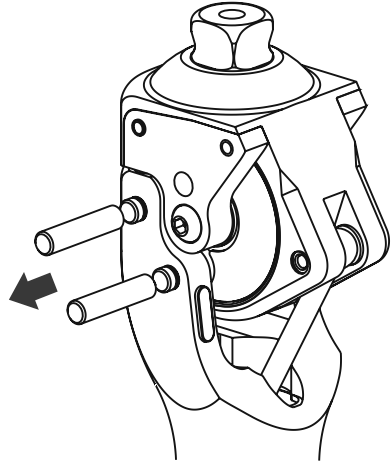
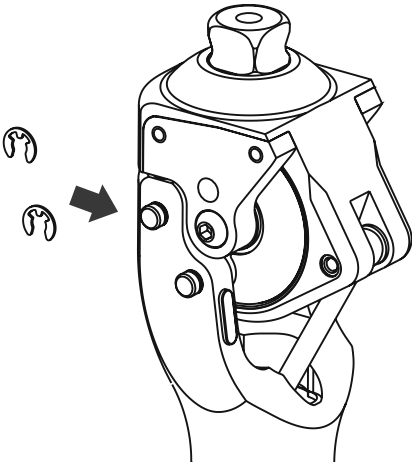


13

Aplicar una fina capa de lubricante (ref. 928105) a los pasadores cruzados.

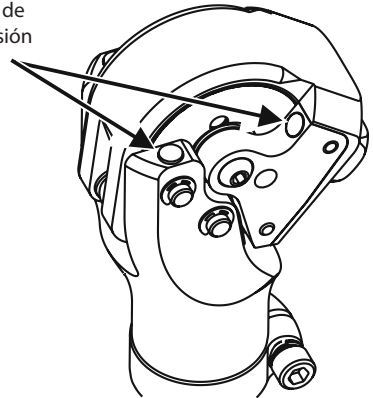


Cerciorarse de que no entre lubricante al tambor de freno, ya que podría dar lugar a la inestabilidad del dispositivo.

14**15****16**

Cambiar los cuatro topes de extensión una vez al año. Kit de topes de extensión, ref. 239453

Topes de extensión



Tras el mantenimiento, es importante examinar el ajuste de estabilidad del usuario. Consultar el gráfico de la sección Consejos de alineación y ajuste de la estabilidad.

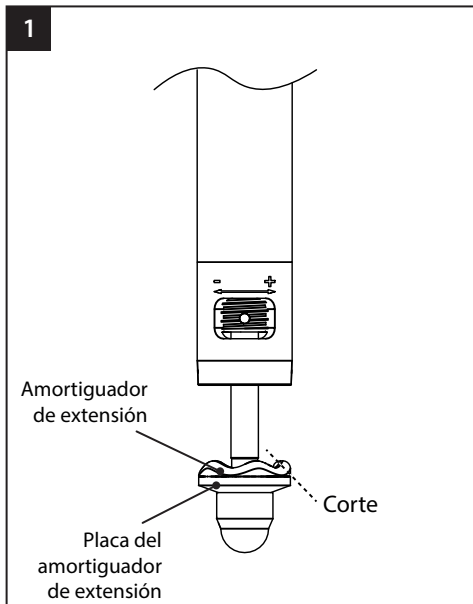
11 Mantenimiento del amortiguador de extensión



Utilizar equipo de protección de la salud y la seguridad en todo momento, incluidos medios de extracción.

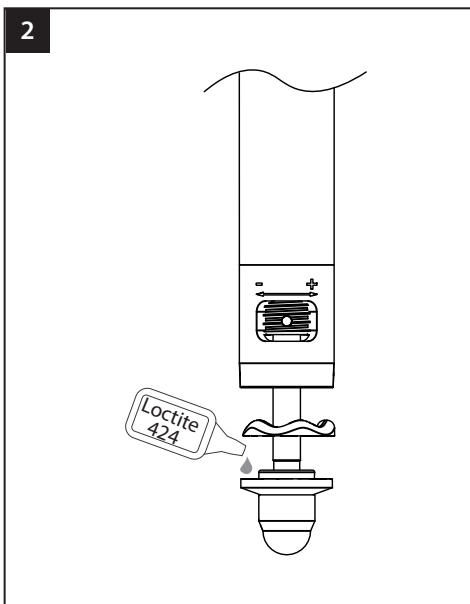


Tener en cuenta en todo momento el riesgo de atraparse los dedos.



Con un cuchillo, cortar y sacar el amortiguador de extensión viejo.

Limpiar la superficie superior de la placa del amortiguador de extensión con un disolvente adecuado.



Colocar el nuevo amortiguador de extensión sobre la placa del amortiguador de extensión.

Sujetar el amortiguador de extensión a la placa con Loctite 424.

12 Solución de problemas

Síntoma	Solución
La rodilla hace un ruido excesivo.	Limpiar la banda de frenado y el tambor de freno. Aplicar lubricante a los pivotes. Consultar los procedimientos en la sección 10 <i>Mantenimiento del mecanismo estabilizado</i> .
La rodilla no se estabiliza.	Comprobar el ajuste de estabilidad. Consultar la sección 8 <i>Consejos de alineación y ajuste de la estabilidad</i> . Limpiar el tambor de freno. Comprobar que las zapatas de freno no estén desgastadas y cambiar el mecanismo estabilizador si el borde posterior del freno está dañado. Consultar <i>los procedimientos</i> en la sección 10 <i>Mantenimiento del mecanismo estabilizado</i> .
La rodilla no se desacopla.	Comprobar el ajuste de estabilidad. Consultar la sección 8 <i>Consejos de alineación y ajuste de la estabilidad</i> .

13 Datos técnicos

Rango de temperaturas de funcionamiento y almacenaje: De -15 °C a 50 °C

Peso del componente: 580 g

Nivel de actividad recomendado: 2

Peso máximo del usuario: 125 kg

Sujeción de alineación proximal: Pirámide macho giratoria (Blatchford)

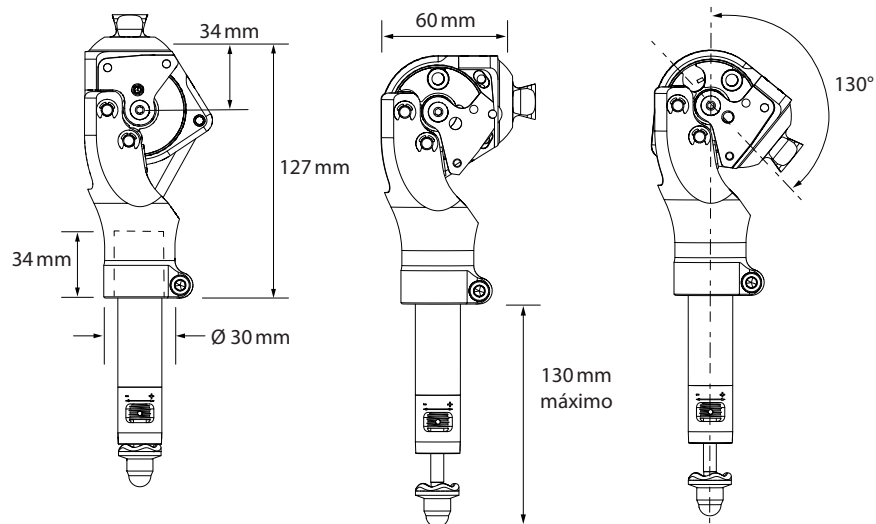
Conexión distal: Abrazadera para tubo de 30 mm de diám. (Blatchford)

Altura de la prótesis: 127 mm

Pirámide proximal al extremo distal del tubo (+130 mm)

[Consultar *Longitud de montaje* en la página 89]

Longitud de montaje





14 Información para pedidos

Ejemplo de pedido

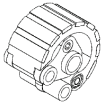


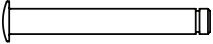


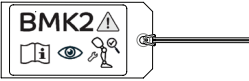

BMK2

14.1 Repuestos


Kit de topes de extensión 239453

Descripción	Cant.	Ilustración
Tope de extensión - BMK2	4	
Instrucciones de montaje	1	


Kit de mecanismo estabilizador 239553

Descripción	Cant.	Ilustración
Mecanismo estabilizador compacto	1	
Cubierta anti-polvo izq.	1	
Cubierta anti-polvo der.	1	
Pasador cruzado	2	
Sello facial en "E" externo de retén	2	
Pasador de alineación	2	
Etiqueta de advertencia de ajuste BMK2	1	
Instrucciones de montaje	1	

Amortiguador de extensión

Descripción	Cant.	Referencia	Ilustración
Amortiguador de extensión	1	B-0000021	

Consumibles

Descripción	Cant.	Referencia	Ilustración
Tratamiento con aceite STP	Según sea necesario	928105	
Fijador de roscas Loctite 222	Según sea necesario	926001	
Adhesivo Loctite 424	Según sea necesario	926104	

Responsabilidad

El fabricante recomienda utilizar el dispositivo únicamente en las condiciones especificadas y para el fin previsto. El mantenimiento del dispositivo debe llevarse a cabo de acuerdo con las instrucciones de uso suministradas con él. El fabricante no se hace responsable de ningún resultado adverso que pueda surgir de una combinación de componentes que no haya autorizado previamente.

Conformidad CE

Este producto cumple los requisitos del Reglamento (UE) 2017/745 sobre los productos sanitarios. Este producto está clasificado como de Clase I según los criterios estipulados en el Anexo VIII del Reglamento. El certificado de declaración de conformidad de la UE se puede consultar en la siguiente dirección de Internet: www.blatchford.co.uk



Dispositivo médico



Para uso en un solo paciente -
uso múltiple

Compatibilidad

Está autorizada la combinación con productos de la marca Blatchford basándose en pruebas según las normas correspondientes y el MDR, incluidas pruebas estructurales, de compatibilidad dimensional y de rendimiento supervisado sobre el terreno.

La combinación con productos alternativos con marcado CE debe llevarse a cabo de acuerdo con una evaluación de riesgos local documentada por un profesional sanitario.

Garantía

Este dispositivo tiene una garantía de 24 meses a partir de la fecha original de compra, a menos que se indique lo contrario. El dispositivo estabilizador compacto tiene una garantía de 12 meses a partir de la fecha original de compra, a menos que se indique lo contrario. El desgaste de la banda de frenado está excluido de la garantía. El usuario debe tener en cuenta que todo cambio o modificación que no haya sido expresamente aprobado podría invalidar la garantía, autorizaciones de explotación y excepciones. Consultar la declaración de garantía completa vigente, incluidas las condiciones relativas al desgaste, en la página web de Blatchford.

Notificación de incidentes graves

En el caso poco probable de que se produzca un incidente grave relacionado con este dispositivo, se deberá notificar al fabricante y a la autoridad competente nacional.

Aspectos medioambientales

Siempre que sea posible, los componentes se deben reciclar de acuerdo con el reglamento local de gestión de residuos.

Conservar la etiqueta del embalaje

Aconsejamos conservar la etiqueta del embalaje como recordatorio del dispositivo suministrado.

Marcas comerciales

Blatchford es una marca registrada de Blatchford Products Limited.

Dirección registrada del fabricante



Blatchford Products Limited, Lister Road, Basingstoke, RG22 4AH (Reino Unido)

Inhoud.....	92
1 Beschrijving en beoogd doel.....	93
2 Veiligheidsinformatie.....	94
3 Constructie	95
4 Functie.....	95
5 Onderhoud	96
6 Beperkingen bij het gebruik	97
7 Uitlijning op de bank	98
8 Advies over uitlijnen en afstellen stabiliteit.....	99
9 Dynamische uitlijning.....	100
10 Onderhoud van stabilisatiemechanisme	101
11 Onderhoud van de extensiebuffer	105
12 Problemen oplossen	106
13 Technische gegevens.....	106
14 Bestelinformatie	107
14.1 Reserveonderdelen	107

1 Beschrijving en beoogd doel

Deze instructies zijn voor de behandelaar.

De term *hulpmiddel* wordt in deze instructies gebruikt om te verwijzen naar de knie BMK2.

Zorg ervoor dat de gebruiker alle gebruiksaanwijzingen begrijpt en vooral aandacht besteedt aan alle paragrafen met informatie over onderhoud en veiligheid.

Gebruikers moeten voor het gebruik van dit hulpmiddel looptraining hebben gehad.

Toepassing

Dit hulpmiddel mag uitsluitend worden gebruikt als onderdeel van een prothese van een onderste ledemaat.

Het hulpmiddel is een compacte, gewichtsgeactiveerde knie met mogelijkheid voor een afstelbare veerextensie.

Dit hulpmiddel is bedoeld voor gebruik bij één persoon.

Kenmerken

- Gewichtsgeactiveerde instelbare standregeling
- Regeling van afstelbare veerextensie met demping van eindimpact
- Maximale buighoek 130°

Activiteitsniveau

Dit hulpmiddel is uitsluitend geschikt voor gebruikers van activiteitsniveau 1 en 2. Zie voor het maximale gebruikersgewicht hoofdstuk 13 *Technische gegevens*.

Activiteitsniveau 1

Heeft het vermogen of de potentie om een prothese te gebruiken voor verplaatsingen of lopen over een vlakke ondergrond met een vaste cadans. Typisch voor mensen die in huis korte en langere afstanden kunnen overbruggen.

Activiteitsniveau 2

Heeft het vermogen of de potentie om te lopen over een ondergrond met lage obstakels, zoals stoepranden, trappen of ongelijke oppervlakken. Typisch voor mensen die in de omgeving korte afstanden kunnen overbruggen.

Activiteitsniveau 3

Heeft het vermogen of de potentie om te lopen met variabele cadans. Typisch voor mensen die in de omgeving langere afstanden kunnen overbruggen inclusief de meeste obstakels die in de omgeving aanwezig zijn en die te maken hebben met beroepsmatige, therapeutische of inspanningsactiviteiten waarbij er meer eisen aan het gebruik van de prothese worden gesteld dan bij gewoon lopen.

Activiteitsniveau 4

Heeft het vermogen of de potentie om meer activiteiten met een prothese te ondernemen dan alleen lopen; dit betreft activiteiten met een hoog impact-, spannings- of energieniveau. Normaal voor prothetische vereisten voor kinderen, actieve volwassenen of atleten.

Contra-indicaties

Dit hulpmiddel is niet geschikt voor gebruikers met:

- Extreme spierzwakte, contracturen die niet op een juiste manier kan worden geaccommodeerd, of proprioceptieve disfunctie, waaronder evenwichtsproblemen.
- Contralaterale instabiliteit van gewrichten of pathologie.
- Gecompliceerde aandoeningen met meerdere handicaps.
- Gebruikers, waaronder gebruikers met bilaterale transfemorale amputatie, die behoefte hebben aan een verende functie van de knie om een trap af te dalen of te gaan zitten. Dit kan zorgen voor schade aan het remmechanisme, wat de stabiliteit en duurzaamheid negatief kan beïnvloeden.

Klinische voordelen

- De knie stabiliseert na belasting op soepele wijze en biedt veiligheid bij het staan en bij het lopen over een ongelijke ondergrond. De knie treedt vervolgens direct in werking bij het loslaten van de teen.
- De veerkrachtige actie van het stabilisatiemechanisme zorgt voor een beperkte standflexie, waardoor de schok bij het neerkomen van de hiel wordt verminderd.

2 Veiligheidsinformatie



Dit waarschuwingssymbool benadrukt belangrijke veiligheidsinformatie die zorgvuldig moet worden opgevolgd.



Elke verandering in de prestaties of functie van de knie, zoals beperking in beweging, niet soepel bewegen of ongebruikelijke geluiden, moet onmiddellijk worden gemeld aan de serviceprovider. Tijdens het eind van de zwaaibeweging, net voor het neerkomen van de hiel, kan enig stootgeluid van de strekondersteuning worden gehoord wanneer de ledemaat volledig wordt gestrekt.



Gebruik bij het aflopen van een trap altijd de leuning en indien mogelijk ook bij andere activiteiten.

Blootstelling aan extreme hitte en/of kou vermijden.



Het hulpmiddel is niet bedoeld voor gebruik in water of als doucheprothese. Als de knie in contact komt met water, veeg deze dan onmiddellijk droog.



Het hulpmiddel is niet geschikt voor extreme sporten, hardlopen of wielrennen, sporten op het ijs of in de sneeuw, extreme hellingen of trappen. Als dergelijke activiteiten worden ondernomen, gebeurt dit volledig op eigen risico van de gebruiker.



Montage, onderhoud en reparatie van het hulpmiddel mogen alleen worden uitgevoerd door een hiervoor gekwalificeerde behandelaar.



Bij het onderhoud van het hulpmiddel dient u te controleren of er zich geen smeervet in de remtrommel bevindt.



Zorg ervoor dat tijdens het besturen van motorvoertuigen alleen gebruik wordt gemaakt van geschikte aangepaste voertuigen. Iedereen dient zich bij het besturen van motorvoertuigen aan de geldende verkeersregels te houden.



De gebruiker mag de afstelling van het hulpmiddel niet eigenhandig instellen of wijzigen.



De gebruiker moet worden geadviseerd om contact op te nemen met de behandelaar als zijn/haar toestand verandert.



Houd te allen tijde rekening met het feit dat vingers bekneld kunnen komen te zitten.



Buitensporige veranderingen in de hielhoogte na het afronden van de uitlijning kunnen de functie van de ledemaat nadelig beïnvloeden.

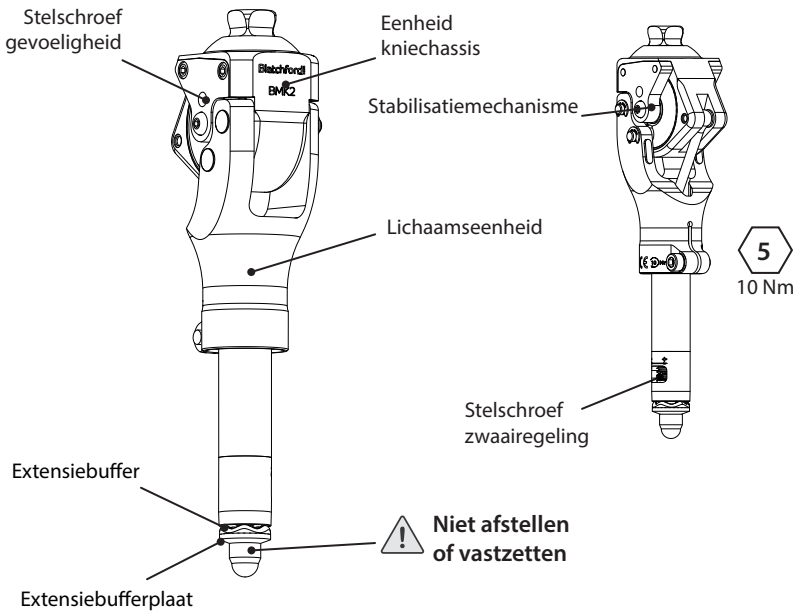
3 Constructie

Belangrijkste onderdelen

- Lichaamseenheid (aluminium, RVS, polyurethaan, vilt)
- Eenheid kniechassis (aluminium, RVS)
- Stabilisatiemechanisme (aluminium, brons, acetaalhomopolymeer, polyurethaan, synthetisch rubber)

Opmerking... Het wrijvingsmateriaal in het stabilisatiemechanisme bevat geen asbest.

Identificatie componenten



4 Functie

De knie wordt door gewicht geactiveerd en de gevoeligheid kan worden afgesteld op de stabiliteitsbehoefte van de gebruiker.

De zwaaieregeling kan worden aangepast door het veranderen van de compressie op een door een spiraalveer geregelde hielverhoging en veerextensie.

Het hulpmiddel zorgt voor standflexie tijdens het activeren van de rem als gevolg van de veerkracht van het rembandmechanisme.

5 Onderhoud

Het onderhoud moet worden uitgevoerd door competent personeel.

Aanbevolen wordt om jaarlijks het volgende onderhoud uit te voeren:

- Controleer of alle schroeven (geen stelschroeven) vast zijn aangedraaid (raadpleeg hoofdstuk Constructie) (de beschermde moer aan het distale uiteinde NIET aandraaien).
- Maak het remblok schoon en breng de extensiestoppen weer aan (raadpleeg hoofdstuk 10 *Onderhoud van stabilisatiemechanisme* voor de procedure).
- In het geval van ongebruikelijke geluiden zoals piepen en kraken en/of een verminderde stabiliteit, dient u onderhoud van het stabilisatiemechanisme uit te voeren; zie hoofdstuk 10 *Onderhoud van stabilisatiemechanisme*. Neem contact op met uw vertegenwoordiger van Blatchford indien de geluiden aanhouden.
- Slijtage op de extensiebuffer is geen probleem. Indien bij volledig strekken overmatige geluiden zijn te horen, dient u de extensiebuffer te vervangen. Raadpleeg hoofdstuk 11 *Onderhoud van de extensiebuffer*.
- Controleer of het chassis medio-laterale speling vertoont.
- Indien de achterkant van het rembandblok versleten is tot het kunststof van de remband, dient u de hele remband te vervangen. (Opmerking: Afzonderlijke blokken hoeven niet te worden vervangen.)
- Zorg er bij het opnieuw in elkaar zetten voor dat de remband de juiste richting op staat. Controleer voor het gebruik altijd de stabiliteit.

De gebruiker moet de bijgeleverde gebruikershandleiding krijgen, en worden geadviseerd het volgende aan de behandelaar te melden:

- Veranderingen in lichaamsgewicht of activiteitsniveau
- Veranderingen in de prestaties van dit hulpmiddel

Veranderingen in de prestaties kunnen zijn:

- Beperkte zwaai
- Veranderingen in de soepelheid van de zwaai
- Minder stabiliteit tijdens het staan
- Elk ongewoon geluid

Reiniging

Gebruik een vochtige doek en een mild reinigingsmiddel om de buitenoppervlakken te reinigen. Gebruik geen agressieve reinigingsmiddelen. Maak het hulpmiddel goed droog voordat het weer wordt gebruikt.

6 Beperkingen bij het gebruik

Beoogde levensduur

De levensduur van het product wordt door de garantieperiode gedekt. Een plaatselijke risicobeoordeling dient te worden uitgevoerd op basis van activiteit en gebruik.

Zwaar tillen

Het gewicht van de gebruiker en de belasting worden bepaald door de aangegeven limieten.

Het tillen en dragen van zware lasten door de gebruiker moet zijn gebaseerd op een risicobeoordeling ter plaatse.

Opmerking... Het hulpmiddel wordt door gewicht geactiveerd en door het tillen en dragen kan de standondersteuning gemakkelijker in werking treden.

Omgeving

Vermijd blootstelling van het hulpmiddel aan corrosieve elementen zoals water, zuur of andere vloeistoffen. Vermijd ook omgevingen met schurende materialen, zoals zand; dit kan leiden tot vroegtijdige slijtage.

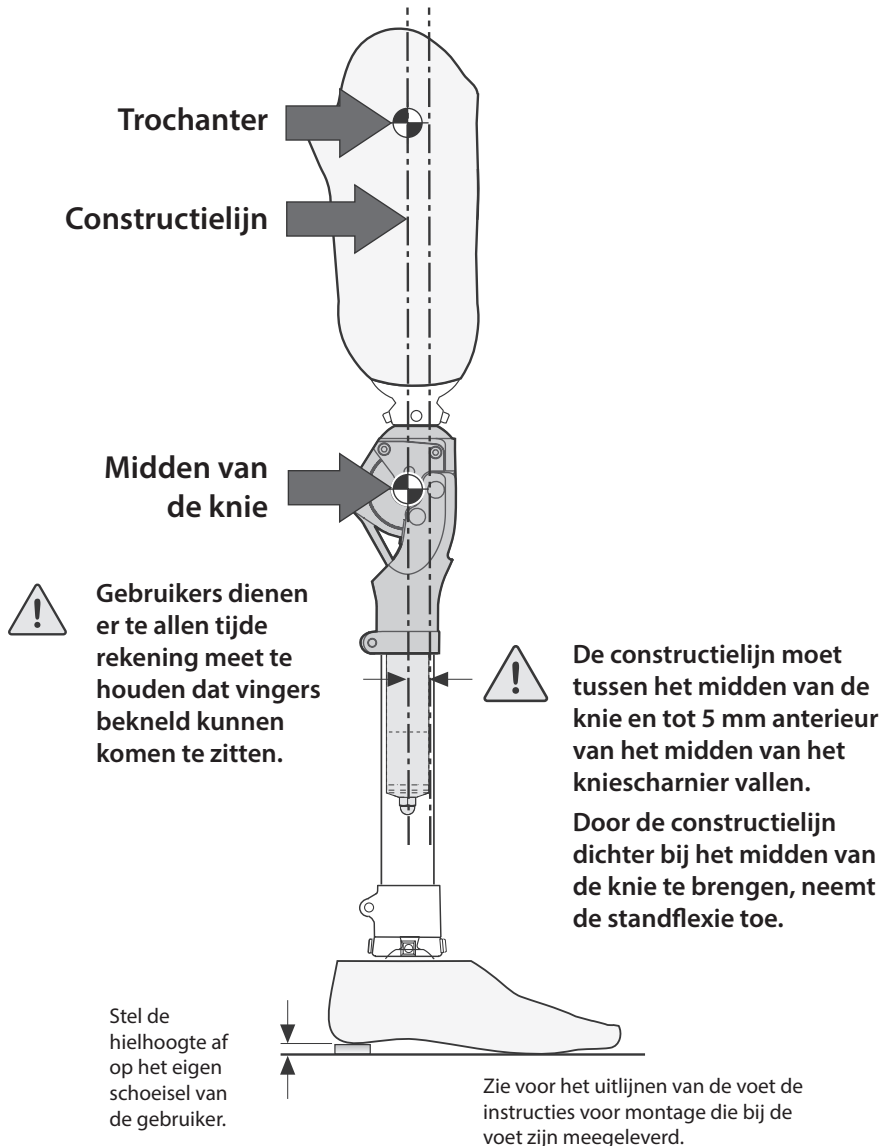


Geschikt voor gebruik buitenshuis

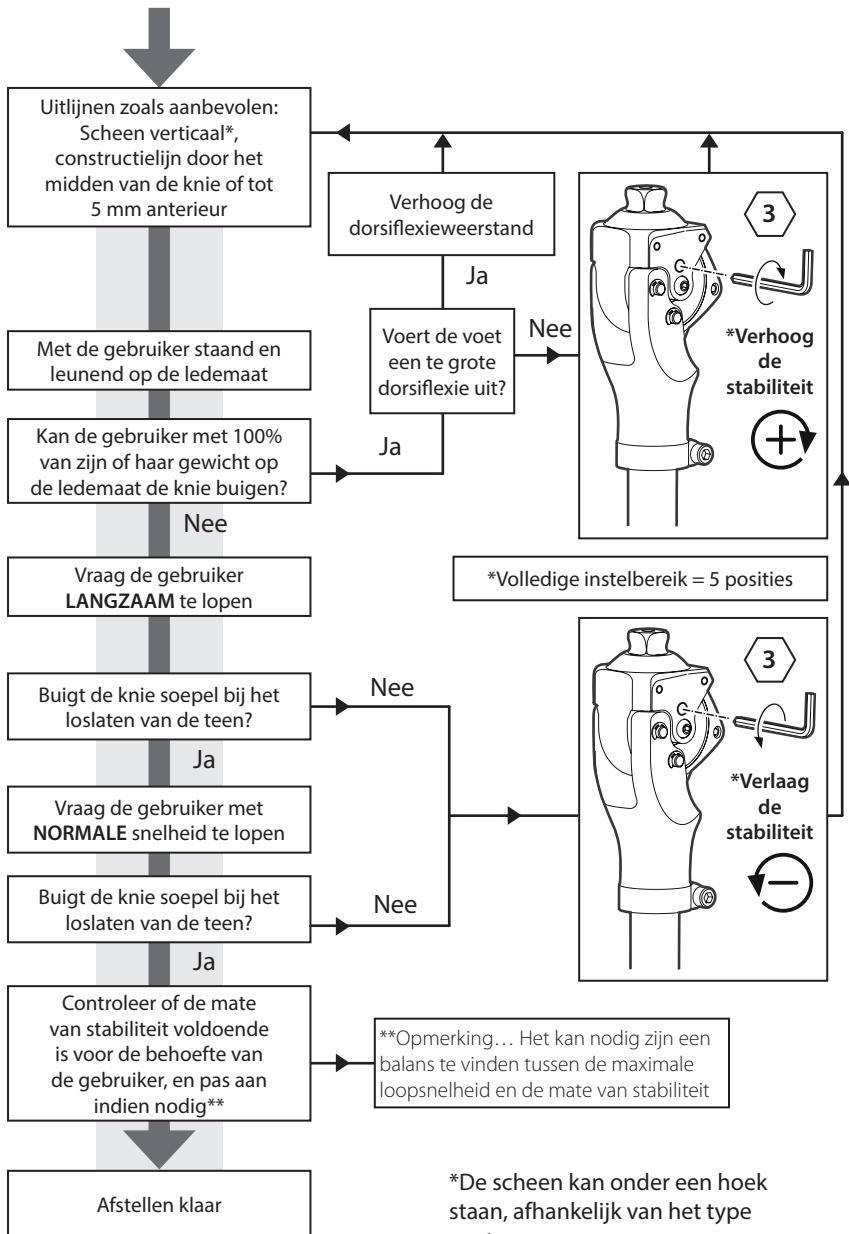
Uitsluitend voor gebruik tussen -15 °C en 50 °C.

7 Uitlijning op de bank

Bij het uitlijnen van de prothese voor gebruik met het hulpmiddel is de positie van de constructielijn van cruciaal belang. De knie moet zo worden uitgelijnd dat hij geometrisch stabiel is. Bij volledige flexie in de koker moet de constructielijn door de trochanter en het midden van de knie lopen, of in een lijn parallel daarmee, tot 5 mm anterior van het midden van de knie.



8 Advies over uitlijnen en afstellen stabiliteit

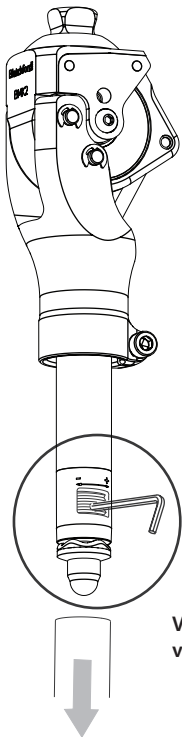


9 Dynamische uitlijning

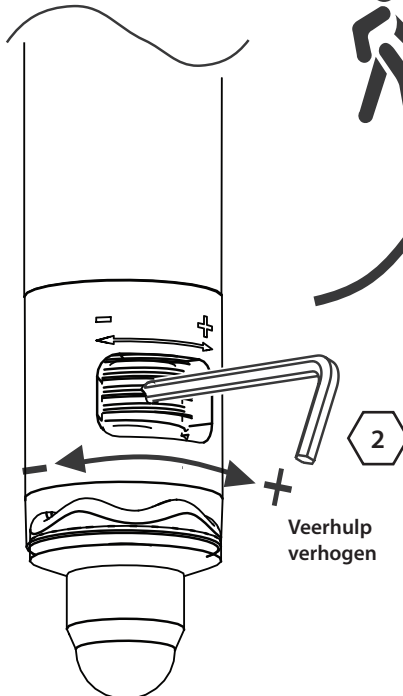
Aanpassen zwaaieregeling (veerextensie)

Opmerking... Bij handbediening kan het contact maken van de demping van eindimpact direct voor volledige extensie worden gevoeld; dit is normaal.

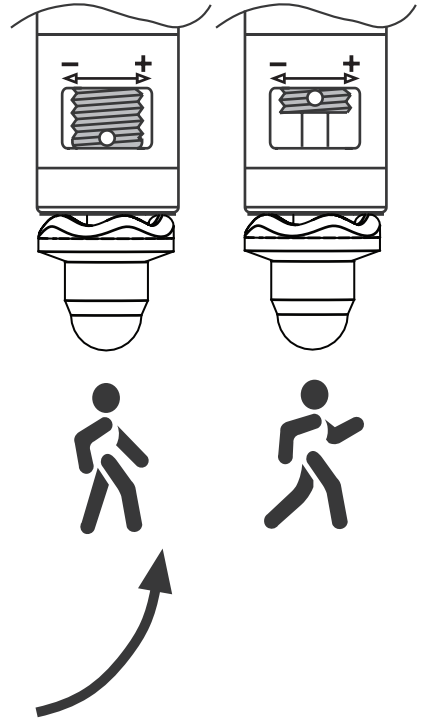
Situatie	Oplossing
Tijdens de zwaai is de hielverhoging te hoog of het hulpmiddel wordt tijdens de zwaai niet geheel gestrekt.	Veerhulp verhogen
Tijdens de zwaai is de hielverhoging te laag of de gebruiker voelt een eindimpact.	Veerhulp verlagen



Veerhulp verlagen



Veerhulp verhogen



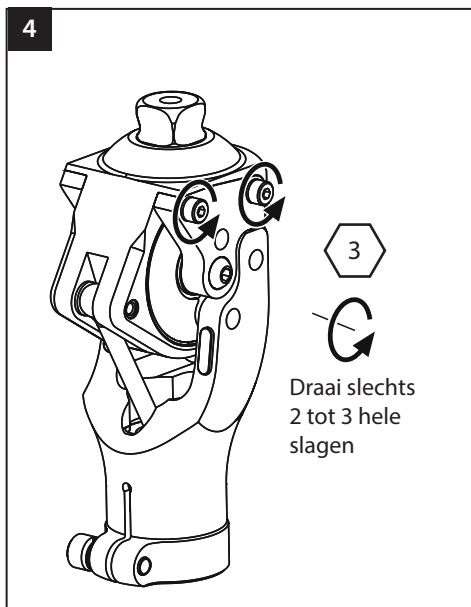
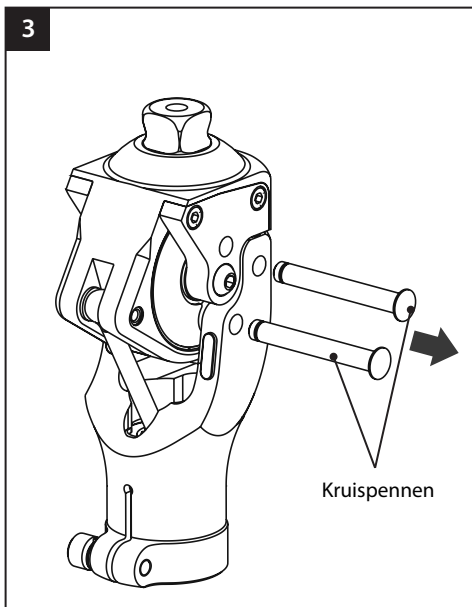
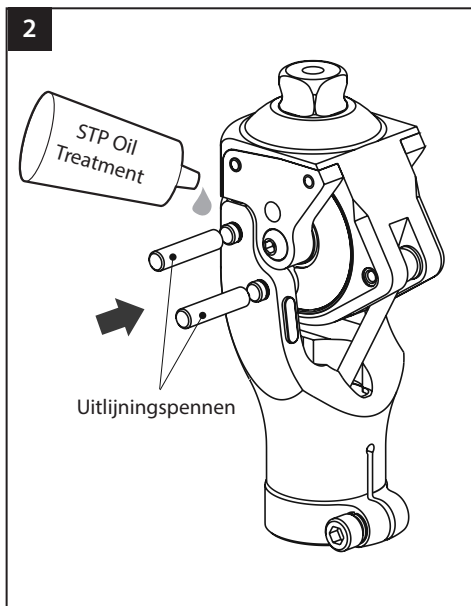
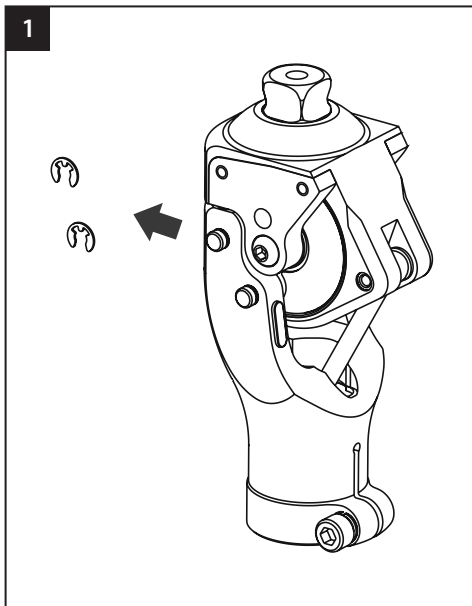
10 Onderhoud van stabilisatiemechanisme

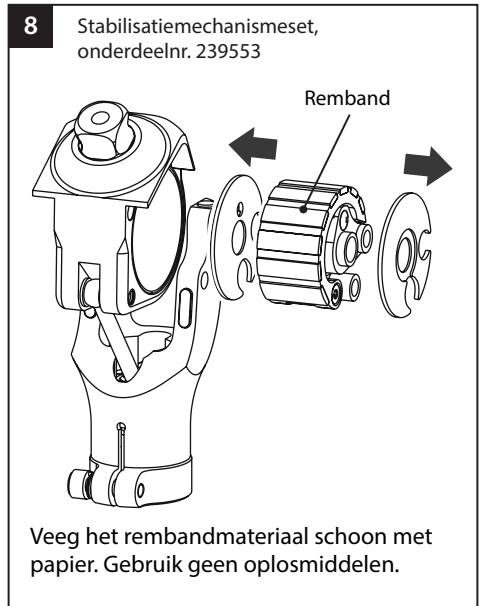
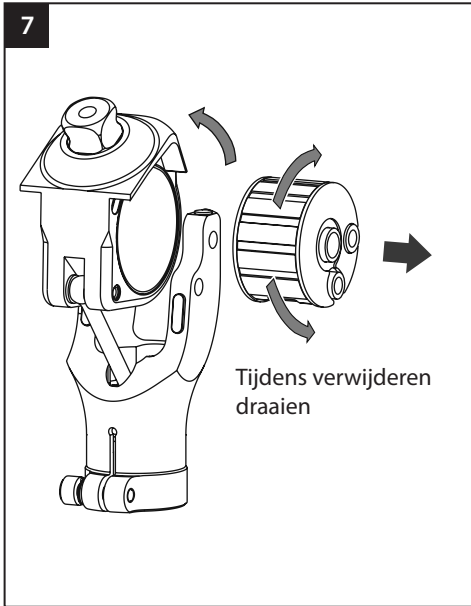
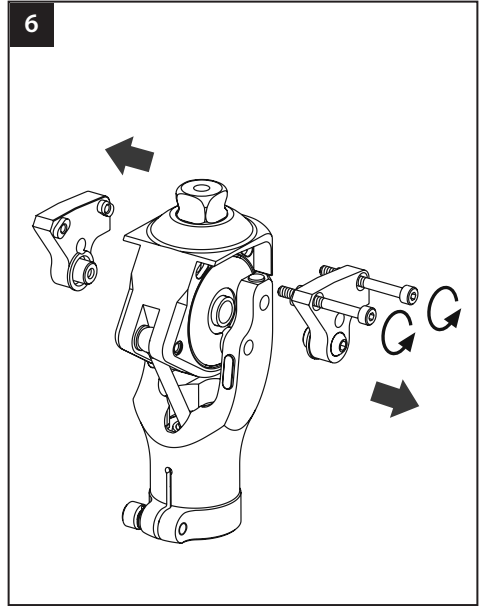
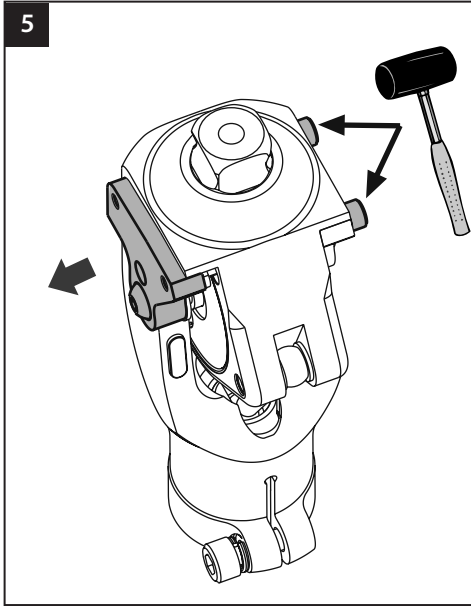


Maak te allen tijde gebruik van passende gezondheids- en veiligheidsmiddelen, waaronder een afzuiginstallatie.



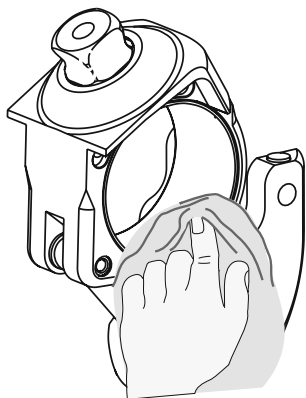
Houd te allen tijde rekening met het feit dat vingers bekneld kunnen komen te zitten.





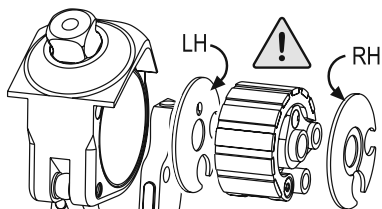
9

Reinig het boorgat met een geschikt reinigingsmiddel.

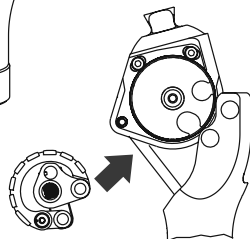


10

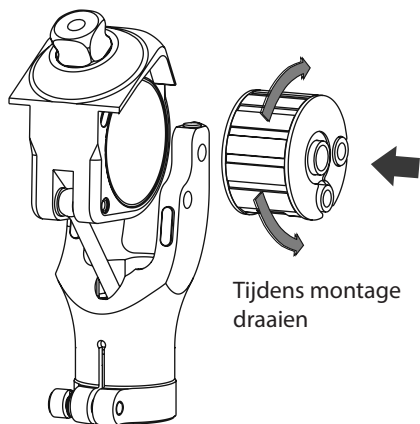
Weer in elkaar zetten



Let op de oriëntatie van het mechanisme

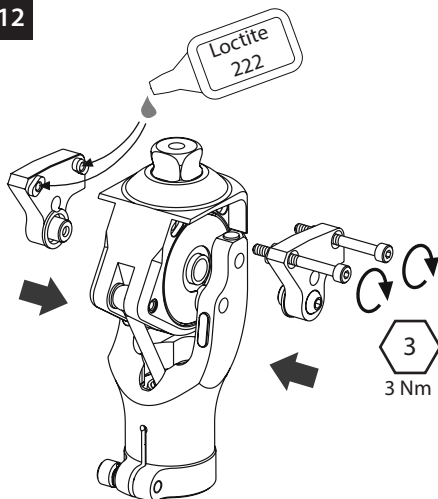


11

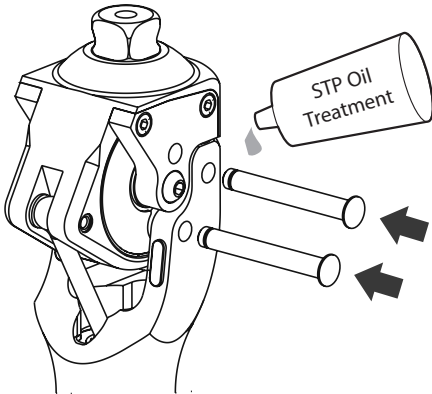


Tijdens montage draaien

12

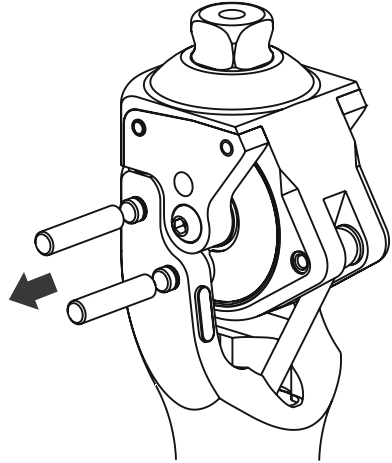


- 13** Breng een dun laagje smeermiddel (onderdeelnr. 928105) op de kruispennen aan.

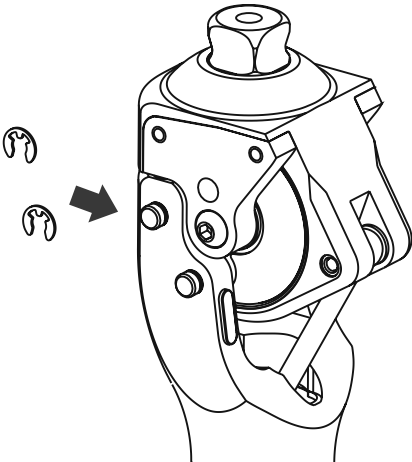


! Zorg ervoor dat er geen smeermiddel in de remtrommel loopt. Dit zou ervoor kunnen zorgen dat het hulpmiddel onstabiel wordt.

14



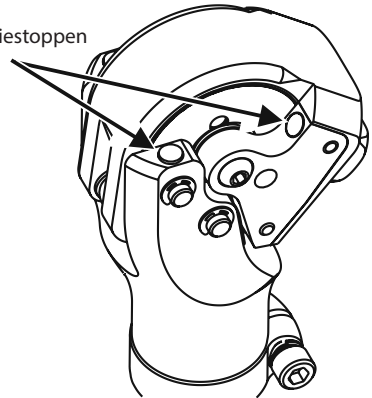
15



16

- Vervang de 4 extensiestoppen jaarlijks. Onderdeelnr. 239453 extensiestopset

Extensiestoppen



Na het onderhoud is het van belang de afstelling van de stabiliteit van de gebruiker te herzien. Raadpleeg de flowchart in het hoofdstuk Advies over uitlijnen en afstellen stabiliteit.

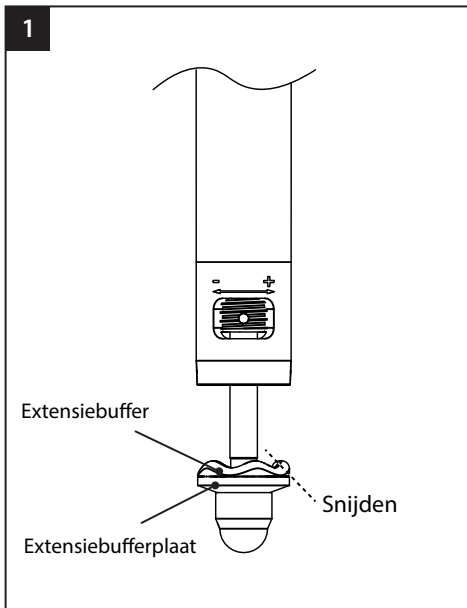
11 Onderhoud van de extensiebuffer



Maak te allen tijde gebruik van passende gezondheids- en veiligheidsmiddelen, waaronder een afzuiginstallatie.

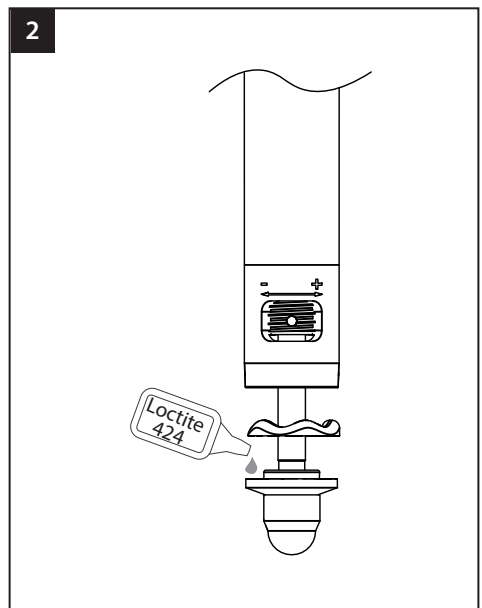


Houd te allen tijde rekening met het feit dat vingers bekneld kunnen komen te zitten.



Snij de oude extensiebuffer met behulp van een mes af en verwijder deze.

Reinig het bovenoppervlak van de extensiebufferplaat met behulp van een geschikt oplosmiddel.



Breng de nieuwe extensiebuffer aan op de extensiebufferplaat.

Zet de extensiebuffer vast op de extensiebufferplaat met Loctite 424.

12 Problemen oplossen

Symptoom	Oplossing
Overmatig geluid uit de knie.	Reinig de remband en de remtrommel. Breng smeermiddel op de draaipennen aan. Raadpleeg hoofdstuk 10 <i>Onderhoud van stabilisatiemechanisme</i> voor de procedures.
De knie stabiliseert niet.	Controleer de afstelling van de stabiliteit. Raadpleeg hoofdstuk 8 <i>Advies over uitlijnen en afstellen stabiliteit</i> . Maak de remtrommel schoon. Controleer of het remblok slijtage vertoont en vervang het stabilisatiemechanisme indien de achterkant van de rem is beschadigd. Raadpleeg hoofdstuk 10 <i>Onderhoud van stabilisatiemechanisme voor de procedures</i> .
De knie laat niet los.	Controleer de afstelling van de stabiliteit. Raadpleeg hoofdstuk 8 <i>Advies over uitlijnen en afstellen stabiliteit</i> .

13 Technische gegevens

Temperatuurbereik voor gebruik en opslag: -15 °C tot 50 °C

Gewicht component: 580 g

Aanbevolen activiteitsniveau: 2

Maximaal gewicht gebruiker: 125 kg

Bevestiging proximale uitlijning: Roterende mannelijke piramide (Blatchford)

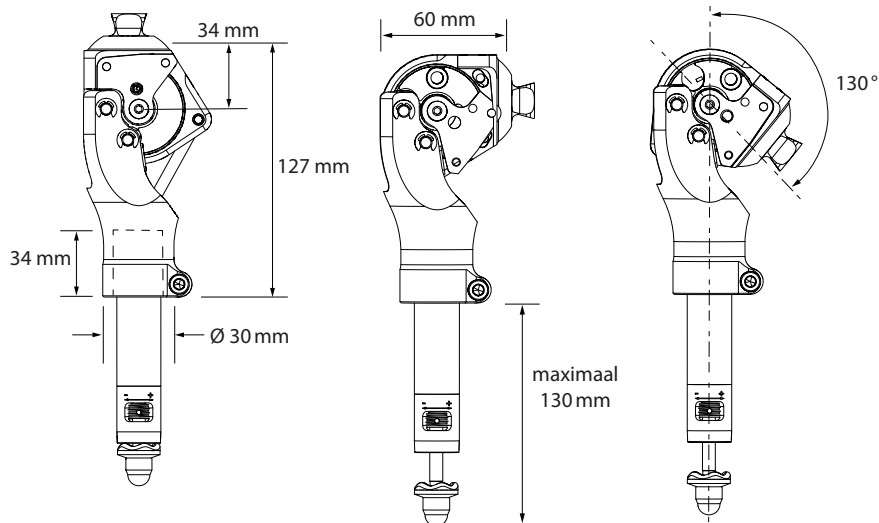
Distale bevestiging: Buisklem met diameter 30 mm (Blatchford)

Constructiehoogte: 127 mm

Proximale piramide tot uiteinde distale buis (+130 mm)

[Raadpleeg *Inbouwlengte* op pagina 107]

Inbouw lengte





14 Bestelinformatie

Voorbeeld voor bestellen

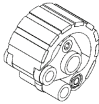


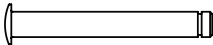

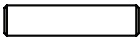
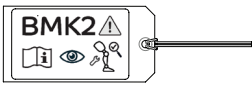

BMK2

14.1 Reserveonderdelen


Extensiestopset 239453

Beschrijving	Aantal	Afbeelding
Extensiestop - BMK2	4	
Montage-instructies	1	


Stabilisatiemechanismeset 239553

Beschrijving	Aantal	Afbeelding
Compact-stabilisatiemechanisme	1	
Stofkap linkerzijde	1	
Stofkap rechterzijde	1	
Kruispen	2	
Bevestigingsring buitenring E	2	
Uitlijningspen	2	
BMK2 waarschuwingsteken afstelling	1	
Montage-instructies	1	

Extensiebuffer

Beschrijving	Aantal	Onderdeelnr.	Afbeelding
Extensiebuffer	1	B-0000021	

Verbruiksartikelen

Beschrijving	Aantal	Onderdeelnr.	Afbeelding
STP Oil Treatment	Indien nodig	928105	
Loctite 222 Screwlock	Indien nodig	926001	
Loctite 424 Adhesive	Indien nodig	926104	

Aansprakelijkheid

De fabrikant raadt aan het hulpmiddel alleen onder de gespecificeerde omstandigheden en voor de beoogde doeleinden te gebruiken. Het hulpmiddel moet worden onderhouden volgens de bij het hulpmiddel geleverde gebruiksaanwijzing. De fabrikant is niet aansprakelijk voor enig negatief resultaat dat wordt veroorzaakt door combinaties van componenten die niet door de fabrikant zijn geautoriseerd.

CE-conformiteit

Dit product voldoet aan de eisen van de Europese Verordening EU 2017/745 voor medische hulpmiddelen. Dit product is geclassificeerd als product van klasse I volgens de classificatiecriteria zoals uiteengezet in bijlage IX van de verordening. Het certificaat van de EU-conformiteitsverklaring is beschikbaar op het volgende internetadres: www.blatchford.co.uk



Medisch hulpmiddel



Eén patiënt - meervoudig gebruik

Compatibiliteit

Het combineren met producten van het merk Blatchford is goedgekeurd op basis van testen in overeenstemming met relevante normen en de MDR, waaronder structurele testen, compatibiliteit in afmetingen en gemonitorde prestaties in het veld.

Het combineren met alternatieve producten met een CE-markering moet worden uitgevoerd op basis van een gedocumenteerde risicobeoordeling ter plaatse die door een behandelaar is uitgevoerd.

Garantie

Tenzij anders aangegeven, heeft dit hulpmiddel een garantie van 24 maanden vanaf de oorspronkelijke aankoopdatum. Tenzij anders aangegeven heeft het Compact-stabilisatiemechanisme een garantie van 12 maanden vanaf de oorspronkelijke aankoopdatum. De garantie heeft geen betrekking op slijtage van de remband. De gebruiker moet zich ervan bewust zijn dat bij wijzigingen of aanpassingen die niet uitdrukkelijk zijn goedgekeurd, de garantie, gebruikslicenties en uitzonderingen kunnen komen te vervallen. Raadpleeg de website van Blatchford voor de actuele volledige garantieverklaring, waaronder slijtage.

Ernstige incidenten melden

In het onwaarschijnlijke geval van een ernstig incident dat zich voordoet met betrekking tot dit hulpmiddel, moet dit worden gemeld bij de fabrikant en de bevoegde instantie van uw land.

Milieuaspecten

Waar mogelijk moeten de componenten worden gerecycled in overeenstemming met de plaatselijke regelgeving op het gebied van afvalverwerking.

Het etiket van de verpakking bewaren

Het wordt geadviseerd het etiket van de verpakking te bewaren als registratie van het geleverde hulpmiddel.

Erkenning handelsmerken

Blatchford is een geregistreerd handelsmerk van Blatchford Products Limited.

Geregistreerd adres fabrikant

 Blatchford Products Limited, Lister Road, Basingstoke RG22 4AH, VK.

Spis treści	110
1 Opis i przeznaczenie	111
2 Informacje dotyczące bezpieczeństwa	112
3 Budowa	113
4 Zasada działania	113
5 Konserwacja	114
6 Ograniczenia w użytkowaniu	115
7 Osiowanie podstawowe	116
8 Porady dotyczące osiowania i stabilizowania	117
9 Osiowanie dynamiczne	118
10 Konserwacja mechanizmu stabilizującego	119
11 Konserwacja buforu wyprostu	123
12 Rozwiązywanie problemów	124
13 Specyfikacja techniczna	124
14 Składanie zamówień	125
14.1 Części zamienne	125

1 Opis i przeznaczenie

Niniejsza instrukcja przeznaczona jest dla klinicysty/lekarza.

Termin *wyrób* używany w niniejszej instrukcji użytkownika odnosi się do kolana protezowego BMK2.

Należy upewnić się, że użytkownik zrozumiał wszystkie instrukcje użytkownika, zwracając szczególną uwagę na informacje dotyczące konserwacji i bezpieczeństwa.

Użytkownicy muszą przejść szkolenie w zakresie nauki chodzenia przed użyciem tego wyrobu.

Zastosowanie

Ten wyrób przeznaczony jest do użytku wyłącznie jako element protezy kończyny dolnej.

Ten wyrób to kompaktowe, aktywowane obciążeniowo kolano protezowe z regulowanym sprężynowo zakresem wyprostu.

Ten wyrób medyczny jest przeznaczony do użytku u jednego pacjenta.

Cechy charakterystyczne

- Aktywowana obciążeniem regulacja fazy podparcia
- Regulacja wyprostu z tłumieniem uderzenia w fazie końcowej
- Maksymalny kąt zgięcia 130°

Poziom aktywności

Ten wyrób przeznaczony jest wyłącznie dla użytkowników na poziomie aktywności 1 i 2.

Maksymalna masa ciała użytkownika została określona w punkcie 13 *Specyfikacja techniczna*.

Poziom aktywności 1

Zdolność lub potencjalna możliwość poruszania się i przenoszenia kończyny na równych powierzchniach przy stałej kadencji. Typowy model poruszania się z ograniczeniami lub bez, w warunkach domowych.

Poziom aktywności 2

Zdolność lub potencjalna możliwość poruszania się z pokonywaniem niskich przeszkód, takich jak krawężniki, schody lub nierówne powierzchnie. Typowy model poruszania się w ograniczonym zakresie poza domem.

Poziom aktywności 3

Zdolność lub potencjalna możliwość poruszania się ze zmienną kadencją. Zalecana osobom funkcjonującym w społeczeństwie, które oprócz wykorzystywania protezy do przemieszczania się, są zdolne do pokonywania większości barier środowiskowych i są w stanie podejmować czynności zawodowe, terapeutyczne lub ruchowe.

Poziom aktywności 4

Zdolność lub potencjalna możliwość chodzenia z protezą wykraczająca poza podstawowe możliwości przemieszczania się, co obejmuje poruszanie się ze znacznym obciążeniem i naciskiem kończyn oraz formy aktywności wymagające dużego nakładu energii. Reprezentuje typowe wymagania odnoszące się do wyrobów protetycznych ze strony dzieci, aktywnych osób dorosłych lub sportowców.

Przeciwskazania

Wyrób nie jest przeznaczony dla użytkowników, u których występują:

- Ekstremalne osłabienie mięśni, przykurcze, które nie mogą być w odpowiedni sposób kontrolowane lub dysfunkcja proprioceptywna, w tym zaburzenia równowagi.
- niestabilnością lub patologicznymi zmianami w stawach drugiej kończyny,
- złożonymi problemami i różnego rodzaju niepełnosprawnościami.
- Użytkownicy, którzy wymagają funkcji uginania się kolana , aby móc zejść po schodach lub usiąść, w tym osoby po obustronnej amputacji na poziomie uda. Może to prowadzić do uszkodzenia mechanizmu wyhamowującego, co może negatywnie wpłynąć na stabilność i trwałość.

Korzyści kliniczne

- Stabilizacja kolana aktywnie się płynnie pod obciążeniem, aby zapewnić bezpieczeństwo podczas stania i poruszania się po nierównym terenie. Płynne odrywanie palców od podłoża.
- Sprężyste działanie mechanizmu stabilizującego zapewnia ograniczone zginanie się w fazie podparcia, co ogranicza wstrząsy podczas uderzenia pięty.

2 Informacje dotyczące bezpieczeństwa



Ten symbol ostrzegawczy oznacza istotne wskazówki dotyczące bezpieczeństwa, których należy bezwzględnie przestrzegać.



Wszelkie zmiany w działaniu lub funkcjonowaniu kolana protezowego, np. ograniczona ruchomość, brak płynności ruchu lub nietypowe odgłosy, należy natychmiast zgłaszać do świadczeniodawcy. W fazie końcowej wymachu, bezpośrednio przed kontaktem pięty z podłożem można usłyszeć odgłos stuknięcia mechanizmu wspomaganego wyprost, w momencie gdy kończyna osiąga pełny wyprost.



Przy schodzeniu, zwłaszcza po schodach, zawsze należy korzystać z poręczy, o ile jest dostępna.

Prosimy unikać ekspozycji na ekstremalne ciepło i/lub zimno.



Ten wyrób nie jest przeznaczony do stosowania w środowisku wodnym lub pod prysznicem. W przypadku kontaktu kolana protezowego z wodą wyrób należy natychmiast wytrzeć do sucha.



Ten wyrób nie jest przeznaczony do uprawiania sportów ekstremalnych, biegania, wyścigów rowerowych, ani też sportów uprawianych na lodzie i śniegu, czy też na terenach o ekstremalnym stopniu nachylenia lub dużej liczbie stopni. Wszelkie takie aktywności podejmowane są całkowicie na własne ryzyko użytkowników.



Montaż, konserwację i naprawę niniejszego wyrobu mogą przeprowadzać wyłącznie odpowiednio wykwalifikowani klinicyści.



Podczas serwisowania wyrobu należy upewnić się, że w bębnie hamulcowym nie znajduje się smar.



Do jazdy samochodem należy korzystać wyłącznie z odpowiednio przystosowanych pojazdów. Prowadząc pojazdy mechaniczne, każdy zobowiązany jest do przestrzegania obowiązujących przepisów ruchu drogowego.



Użytkownikom nie wolno samodzielnie zmieniać ustawień wyrobu.



Użytkownik musi informować swojego lekarza o każdej zmianie stanu zdrowia.



Istnieje niebezpieczeństwo przytrzaśnięcia palców.



Wszelkie nadmierne zmiany wysokości położenia pięty po zakończeniu regulacji mogą negatywnie wpłynąć na funkcjonowanie kończyny.

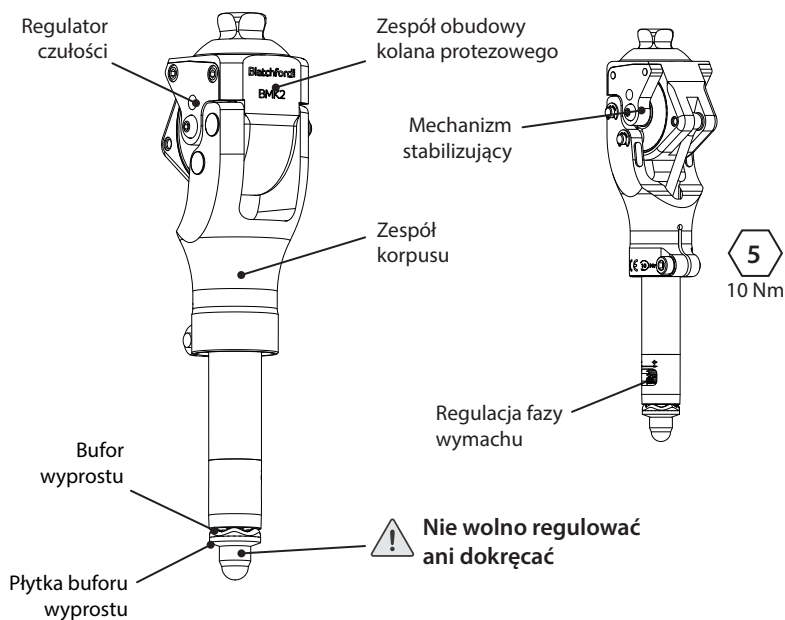
3 Budowa

Główne elementy

- Zespół korpusu (aluminium, stal nierdzewna, poliuretan, filc)
- Zespół obudowy kolana protezowego (aluminium, stal nierdzewna)
- Mechanizm stabilizujący (aluminium, brąz, homopolimer acetalu, poliuretan, kauczuk syntetyczny)

Uwaga... materiał cierny w mechanizmie stabilizującym nie zawiera azbestu.

Elementy składowe



4 Zasada działania

Mechanizm kolana protezowego jest aktywowany pod obciążeniem, a jego czułość można dostosować do wymagań użytkownika w zakresie stabilności.

Regulacja fazy wymachu jest dokonywana przez zmianę nacisku na sprężynę śrubową kontrolującą unoszenie pięty i wyprost.

Dzięki sprężystości mechanizmu taśmy hamulca wyrób zapewnia zginanie się w fazie podparcia podczas aktywacji hamulca.

5 Konserwacja

Konserwacja musi być przeprowadzana przez przeszkolony personel.

Zaleca się, aby raz do roku przeprowadzać następujące czynności konserwacyjne:

- Sprawdzenie wszystkich śrub nieregulacyjnych pod kątem dokręcenia (patrz punkt Budowa) (**NIE** dokręcać śrub z osłoną nakrętki po stronie dystalnej).
- Czyszczenie okładziny ciernej i wymiana ograniczników wyprostu (patrz punkt 10 *Konserwacja mechanizmu stabilizującego* z opisem procedury).
- W przypadku występowania nietypowych odgłosów, takich jak piski i skrzypienie, i/lub zmniejszonej stabilności należy przeprowadzić konserwację mechanizmu stabilizującego, patrz punkt 10 *Konserwacja mechanizmu stabilizującego*. Jeśli odgłos nie zniknie, należy skontaktować się z przedstawicielem firmy Blatchford.
- Zużycie bufora wyprostu jest dopuszczalne. Jeżeli przy pełnym wyproście występuje nadmierny hałas, należy wymienić bufor wyprostu. Patrz punkt 11 *Konserwacja buforu wyprostu*.
- Sprawdzić, czy w płaszczyźnie środkowo-bocznej (M-L) obudowy nie ma luzów.
- W przypadku starcia tylnej krawędzi taśmy hamulca aż do plastiku należy wymienić całą taśmę hamulca. (Uwaga: wymiana pojedynczych segmentów ciernej taśmy hamulca nie jest możliwa.)
- Przy ponownym montażu należy zwrócić uwagę na prawidłowe ułożenie taśmy hamulca. Zawsze należy sprawdzić stabilność przed użyciem.

Użytkownikowi należy przekazać dostarczoną z wyrobem podręcznik użytkownika i poinformować o konieczności zgłaszania lekarzowi:

- wszelkich zmian masy ciała lub poziomu aktywności użytkownika
- wszelkich zmian w funkcjonowaniu tego wyrobu

Zmiany w funkcjonowaniu to między innymi:

- Ograniczony wymach
- Zmiany płynności wymachu
- Zmniejszona stabilność w fazie podparcia
- Nietypowe dźwięki

Czyszczenie

Do czyszczenia powierzchni zewnętrznych należy używać zwilżonej ściereczki oraz łagodnego mydła. **NIE WOLNO** stosować żrących środków czyszczących. Dokładnie wysuszyć przed użyciem.

6 Ograniczenia w użytkowaniu

Przewidywany okres eksploatacji

Użytkowanie produktu objęte jest gwarancją w jej okresie obowiązywania. Miejscową ocenę ryzyka należy przeprowadzić na podstawie aktywności i sposobu użytkowania.

Podnoszenie ciężkich przedmiotów

Masa ciała i aktywność użytkownika podlegają wcześniej wymienionym ograniczeniom.

Podnoszenie ciężkich przedmiotów przez użytkownika musi zostać poprzedzone indywidualną oceną ryzyka.

Uwaga... Niniejszy wyrób jest aktywowany pod obciążeniem, dlatego podnoszenie/przenoszenie obciążeń może powodować szybszą aktywację blokady fazy podparcia.

Środowisko

Należy unikać narażania wyrobu na działanie czynników korozyjnych, takich jak woda, kwasy i inne ciecze. Należy również unikać środowisk, w których może wystąpić efekt ścierania,



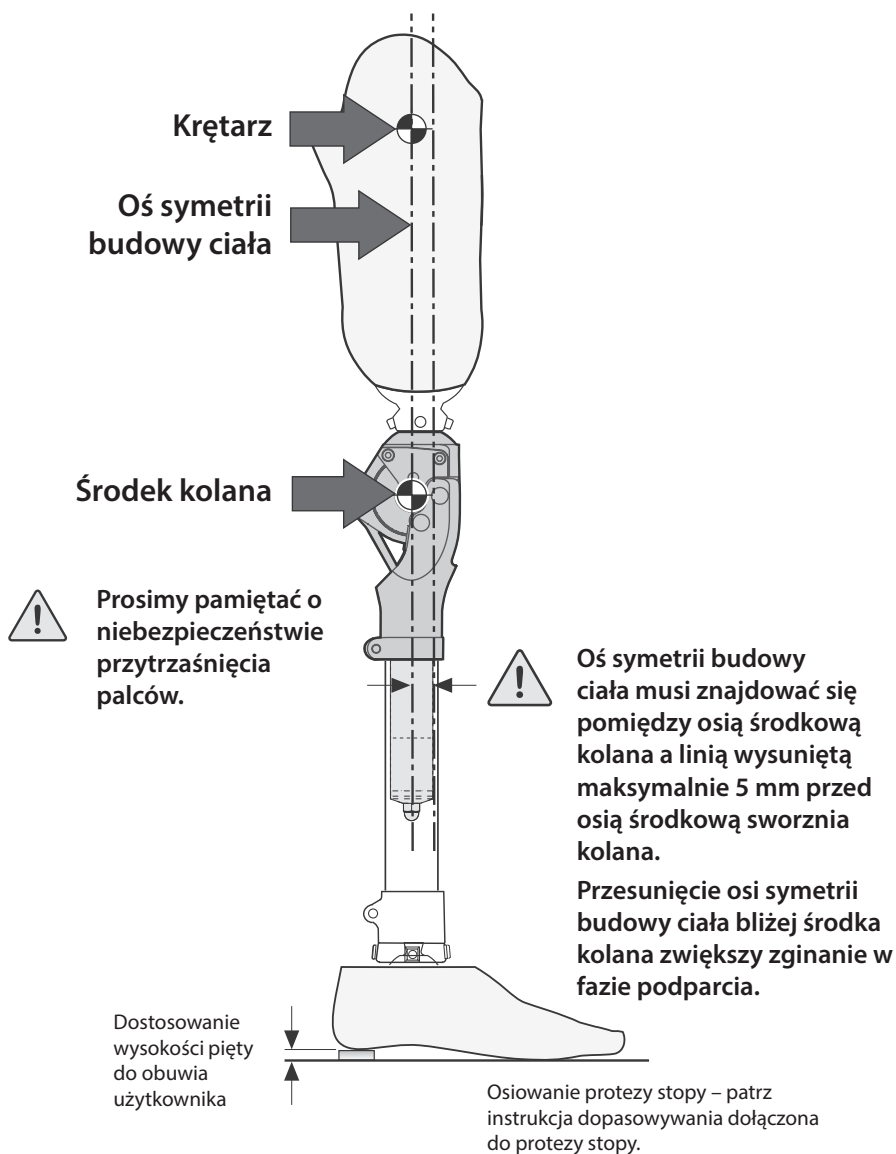
na przykład terenów piaszczystych, ponieważ mogą one sprzyjać przedwczesnemu zużyciu.

Można używać na zewnątrz

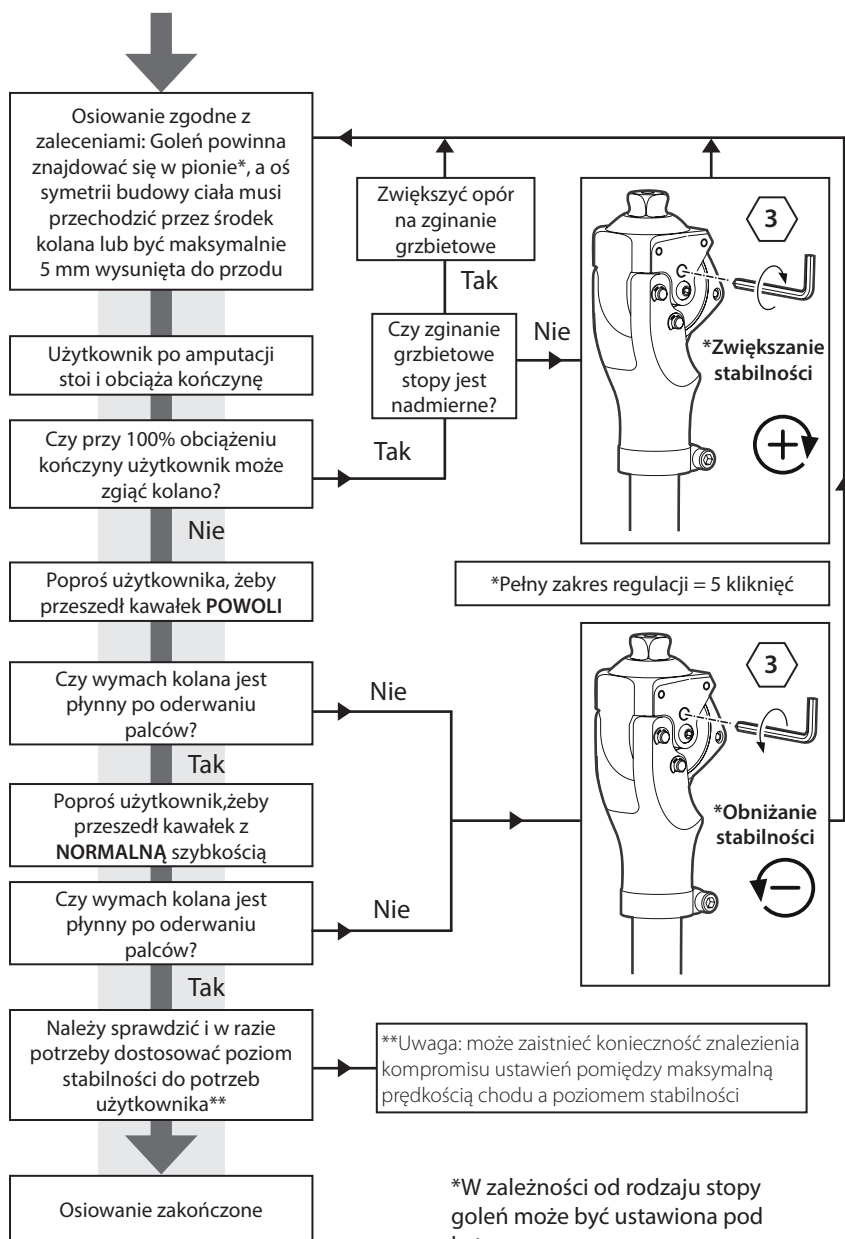
Wyrób może być użytkowany wyłącznie w temperaturze od -15°C do 50°C .

7 Osiowanie podstawowe

Podczas osiowania protezy pod kątem jej użytkowania z tym wyrobem pozycja osi symetrii budowy ciała ma kluczowe znaczenie. Kolano protezowe powinno być ustawione tak, aby było geometrycznie wyosiowane. Przy pełnym wyprostowaniu w panewce, oś symetrii budowy ciała powinna przechodzić przez krętarz i środek kolana lub w linii równoległej do nich, do 5 mm przed środkiem kolana.



8 Porady dotyczące osiowania i stabilizowania

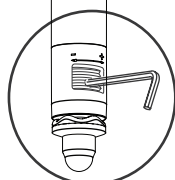
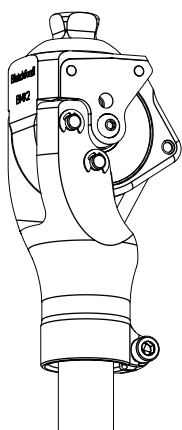
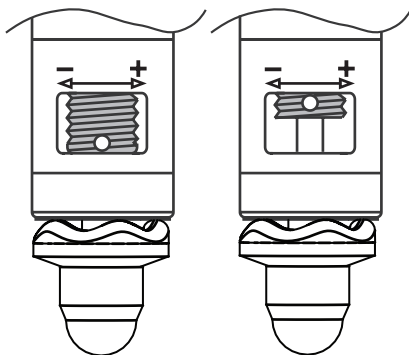


9 Osiowanie dynamiczne

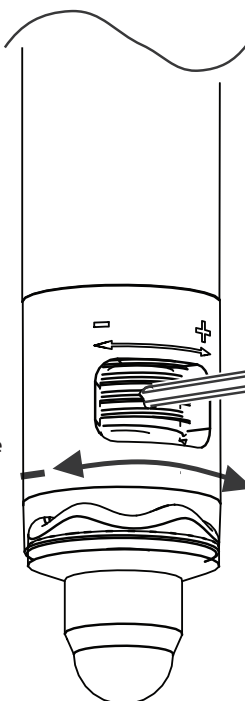
Regulacja fazy wymachu (regulacja wyprustu)

Uwaga: w przypadku regulacji ręcznej aktywacja tłumienia uderzenia w fazie końcowej może być odczuwana bezpośrednio przed osiągnięciem pełnego zakresu wymachu – jest to normalne zjawisko.

Sytuacja	Rozwiązanie
Zbyt wysokie unoszenie pięty podczas wymachu lub wyrób nie prostuje się w pełni podczas wymachu.	Zwiększenie wsparcia sprężyny
Niewystarczające unoszenie pięty podczas wymachu lub odczuwalne uderzenie w fazie końcowej.	Zmniejszenie wsparcia sprężyny



Zmniejszenie
wsparcia
sprężyny

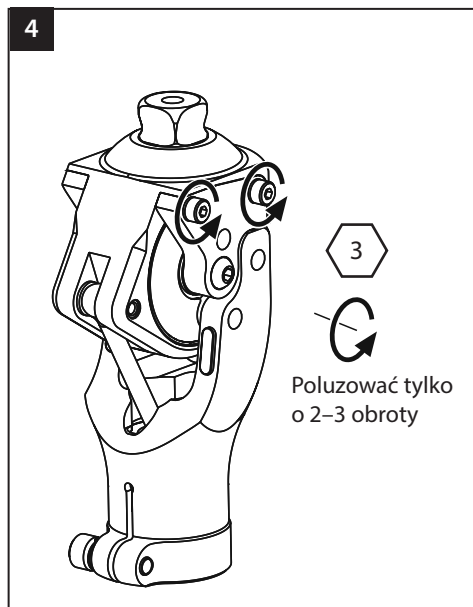
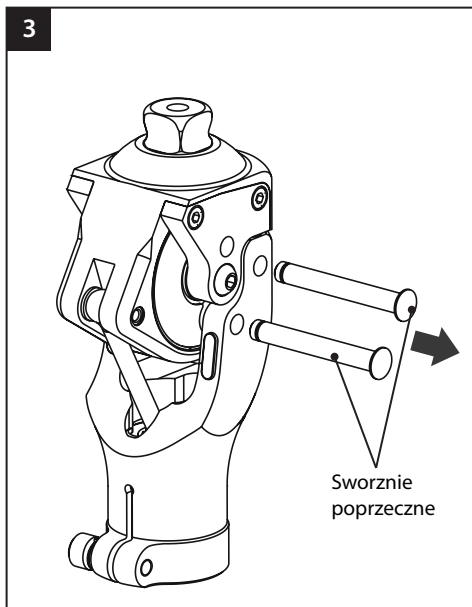
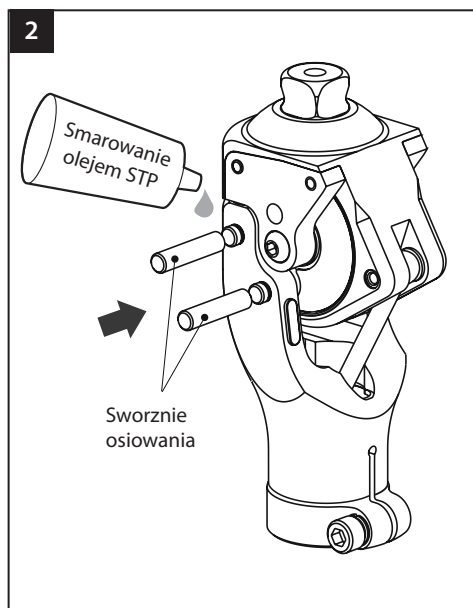
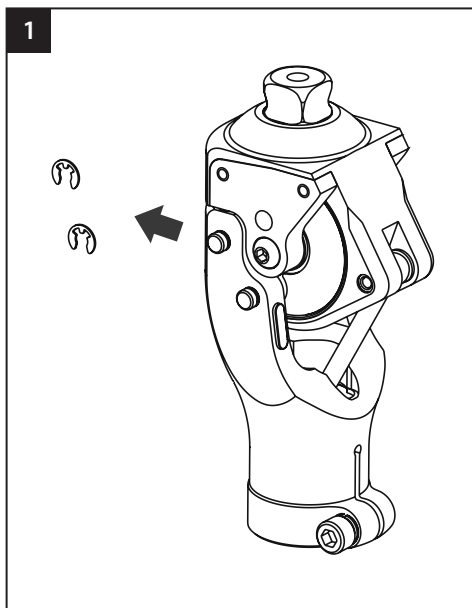


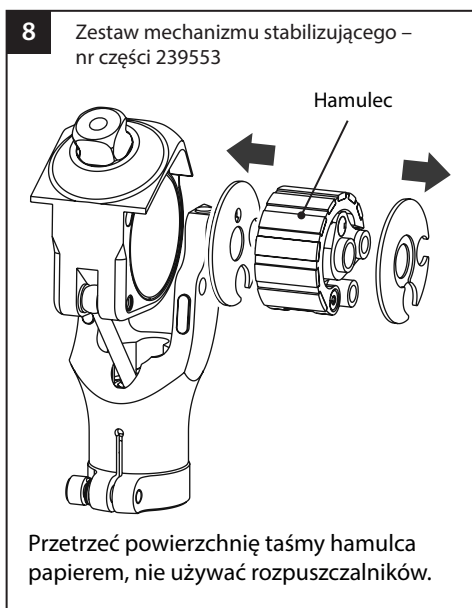
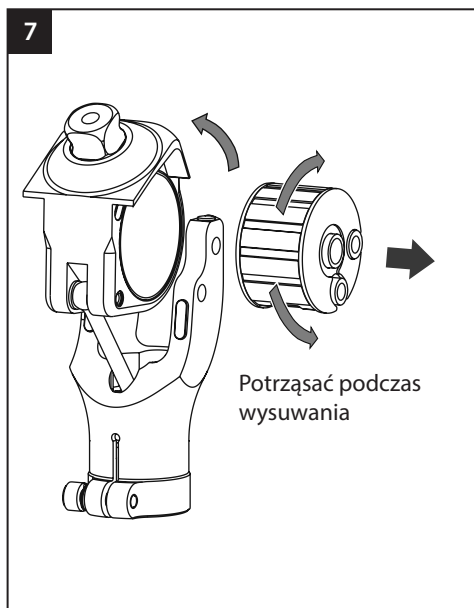
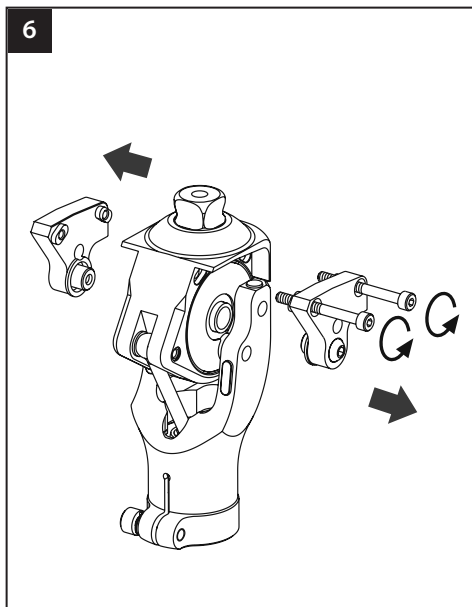
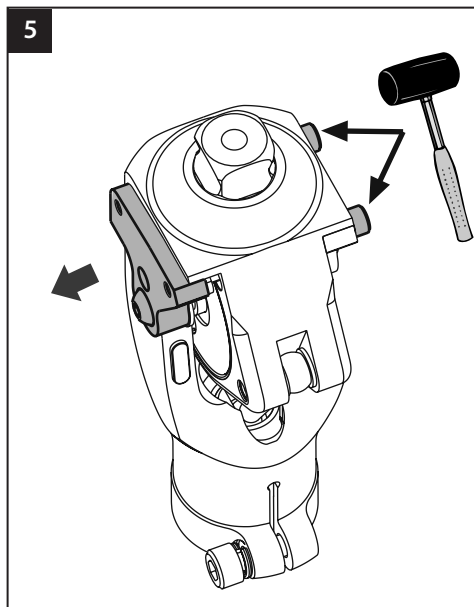
Zwiększenie
wsparcia
sprężyny

10 Konserwacja mechanizmu stabilizującego

⚠ Przez cały czas należy używać odpowiednich środków ochrony osobistej, w tym wyciągów, i przestrzegać zasad BHP.

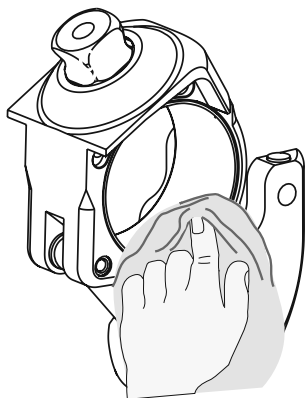
⚠ Istnieje niebezpieczeństwo przytrzaśnięcia palców.



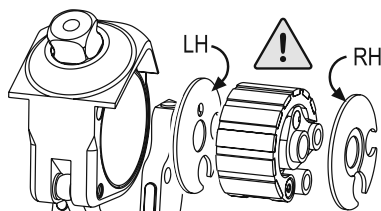


9

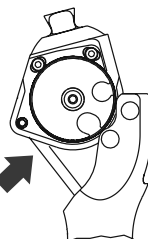
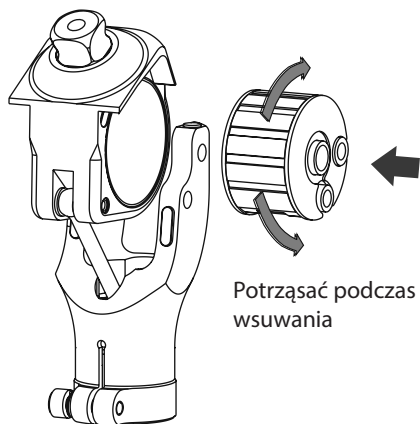
Wyczyścić otwór odpowiednim rozpuszczalnikiem.

**10**

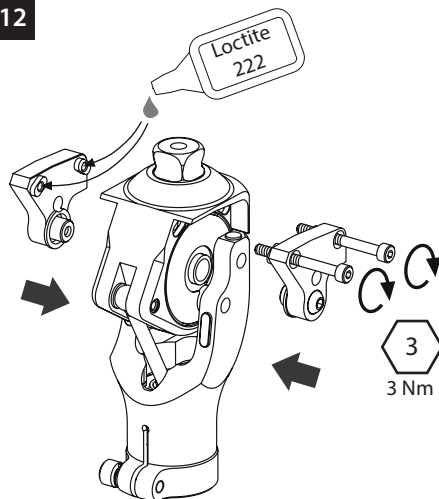
Ponowny montaż



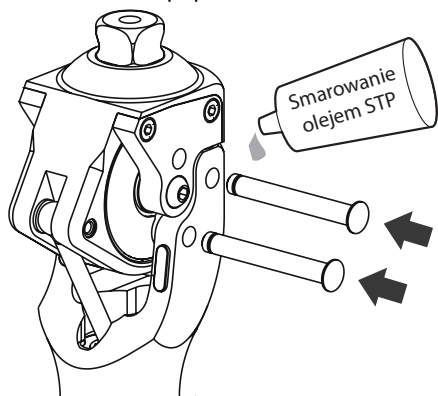
Sprawdzić
kierunek osadzenia
mechanizmu

**11**

Potrzęsać podczas
wsuwania

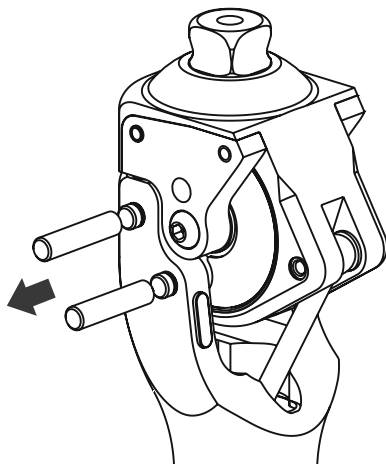
12

- 13** Nałożyć cienką warstwę środka smarnego (nr części 928105) na sworznie poprzeczne.

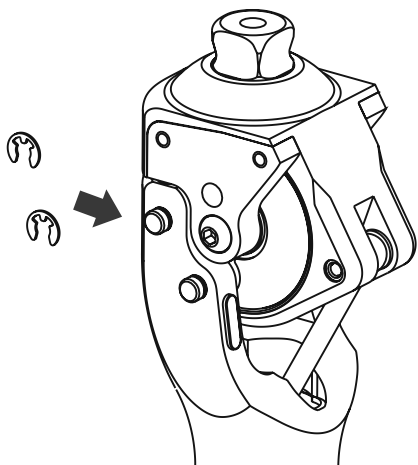


! Należy zwrócić uwagę na to, aby do bębna hamulcowego nie przedostał się środek smarny. Może to spowodować niestabilność wyrobu.

14



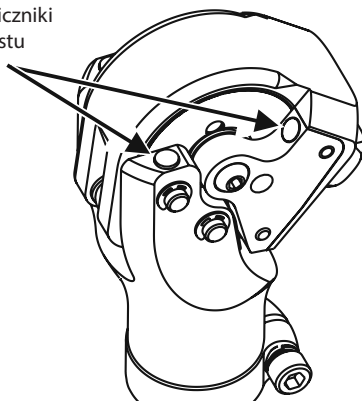
15



16

Raz w roku należy wymieniać wszystkie 4 ograniczniki fazy wyprostu. Zestaw ograniczników fazy wyprostu – nr części 239453

Ograniczniki wyprostu

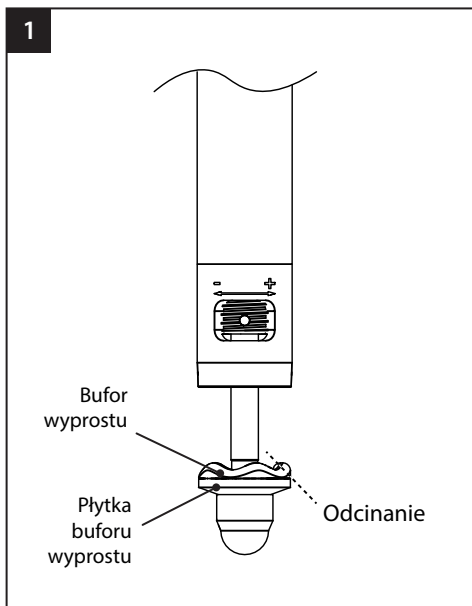


Po zakończeniu konserwacji ważne jest, aby dokonać oceny regulacji stabilności. Prosimy odnieść się do schematu w punkcie Porady dotyczące osiowania i stabilizowania.

11 Konserwacja buforu wyprost

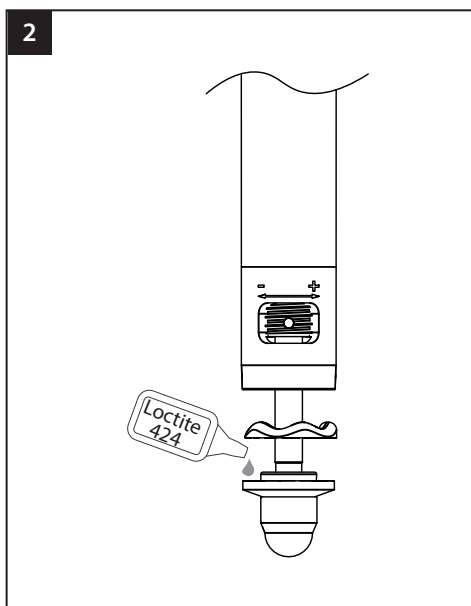
⚠️ Przez cały czas należy używać odpowiednich środków ochrony osobistej, w tym wyciągów, i przestrzegać zasad BHP.

⚠️ Istnieje niebezpieczeństwo przytrzaśnięcia palców.



Przy pomocy noża należy wyciąć i usunąć stary bufor wyprost.

Oczyścić górną powierzchnię płytki buforu wyprost odpowiednim rozpuszczalnikiem.



Naciągnąć nowy bufor wyprost na płytkę buforu wyprost.

Przymocować bufor wyprost do płytki buforu wyprost za pomocą kleju Loctite 424.

12 Rozwiązywanie problemów

Oznaki problemu	Rozwiązanie
Nadmiernie hałasujący przegub kolana	Oczyścić hamulec i bęben hamulca. Nanieść środek smarny na sworznie obrotowe. Patrz punkt 10 <i>Konserwacja mechanizmu stabilizującego z opisem procedury.</i>
Brak stabilności w kolanie	Sprawdzić regulację mechanizmu stabilizacji. Patrz punkt 8 <i>Porady dotyczące osiowania i stabilizowania.</i> Oczyścić bęben hamulca. Sprawdzić taśmy cierne hamulca pod kątem zużycia i wymienić mechanizm stabilizacji, jeśli tylna krawędź taśmy hamulca uległa uszkodzeniu. Patrz punkt 10 <i>Konserwacja mechanizmu stabilizującego z opisem procedury.</i>
Kolano nie zostaje zwolnione	Sprawdzić regulację mechanizmu stabilizacji. Patrz punkt 8 <i>Porady dotyczące osiowania i stabilizowania.</i>

13 Specyfikacja techniczna

Zakres temperatur roboczych i przechowywania: -15°C do 50°C

Waga wyrobu: 580 g

Zalecany poziom aktywności: 2

Maksymalna masa ciała użytkownika: 125 kg

Proksymalne mocowanie osiujące: Obrotowa piramida męska (Blatchford)

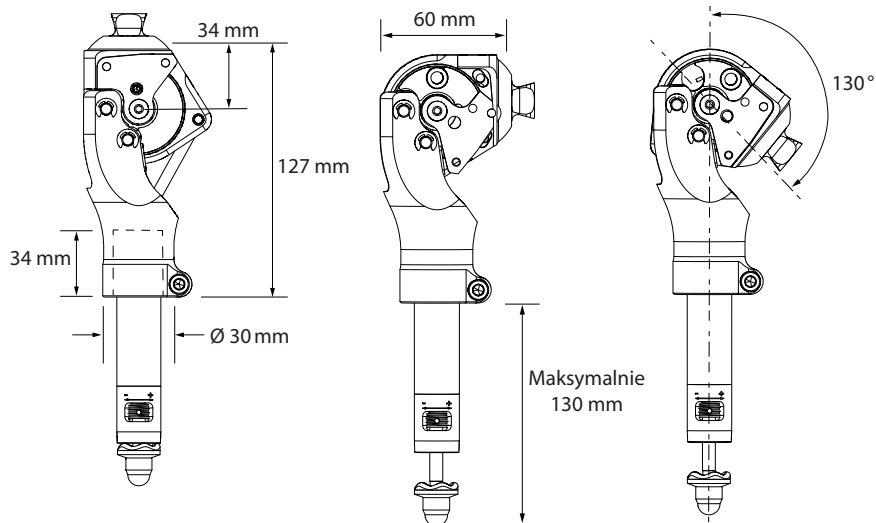
Mocowanie dystalne Obejma tulei o średnicy 30 mm (Blatchford)

Wysokość: 127 mm

Odległość od piramidy do dystalnego końca tulei (+130 mm)

[Patrz *Długość mocowania* na stronie 125]

Długość mocowania



14 Składanie zamówień

Przykład zamówienia

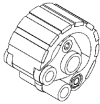


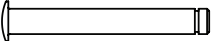

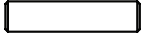


BMK2

14.1 Części zamienne


Zestaw ograniczników wyprost 239453

Opis	Liczba	Ilustracja
Ogranicznik wyprost – BMK2	4	
Instrukcja montażu	1	


Zestaw mechanizmu stabilizującego 239553

Opis	Liczba	Ilustracja
Kompaktowy mechanizm stabilizujący	1	
Ośłona lewa	1	
Ośłona prawa	1	
Sworzeń poprzeczny	2	
Zewnętrzny pierścień „E” elementu mocującego	2	
Sworzeń osiowania	2	
BMK2 Ostrzeżenie dotyczące regulacji	1	
Instrukcja montażu	1	

Bufor wyprost

Opis	Liczba	Numer części	Ilustracja
Bufor wyprost	1	B-0000021	

Elementy ulegające zużyciu

Opis	Liczba	Numer części	Ilustracja
Smarowanie olejem STP	Wg zapotrzebowania	928105	
Klej Loctite 222 do gwintów	Wg zapotrzebowania	926001	
Klej Loctite 424	Wg zapotrzebowania	926104	

Zakres odpowiedzialności

Producent zaleca korzystanie z niniejszego wyrobu wyłącznie w określonych warunkach i zgodnie z przeznaczeniem. Niniejszy wyrób należy poddawać konserwacji zgodnie z załączonymi instrukcjami dla użytkownika. Producent nie ponosi odpowiedzialności za jakiegokolwiek negatywne skutki stosowania nieautoryzowanych elementów.

Deklaracja zgodności WE

Produkt spełnia wymagania Rozporządzenia (UE) 2017/745 dla wyrobów medycznych. Produkt został sklasyfikowany jako wyrób klasy I zgodnie z zasadami klasyfikacji określonymi w załączniku VIII do tego rozporządzenia. Deklaracja zgodności CE została opublikowana na stronie internetowej: www.blatchford.co.uk



Wyrób medyczny



Do wielokrotnego użycia
u jednego pacjenta

Kompatybilność

Kompatybilność z produktami marki Blatchford została potwierdzona na podstawie testów przeprowadzonych zgodnie z odpowiednimi normami i wymaganiami Rozporządzenia w sprawie wyrobów medycznych, w tym testów strukturalnych, zgodności wymiarowej i monitorowanej wydajności w terenie.

Użytkowanie wyrobu w połączeniu z innymi produktami posiadającymi oznakowanie CE należy przetestować z uwzględnieniem udokumentowanej lokalnej oceny ryzyka przeprowadzonej przez lekarza.

Gwarancja

Wyrób objęty jest 24-miesięczną gwarancją liczoną od daty zakupu, chyba że ustalono inaczej. Ten kompaktowy mechanizm stabilizujący jest objęty 12-miesięczną gwarancją liczoną od daty pierwotnego zakupu, chyba że zaznaczono inaczej. Gwarancja nie obejmuje zużycia taśmy hamulca. Użytkownik powinien mieć świadomość, że zmiany lub modyfikacje, które nie zostały wyraźnie zatwierdzone, mogą spowodować unieważnienie gwarancji, licencji na użytkowanie i wyłączeń. Aktualną i pełną treść umowy gwarancyjnej zawierającej zapisy dot. zużywających się elementów eksploatacyjnych opublikowano w witrynie internetowej firmy Blatchford.

Zgłaszanie poważnych incydentów

W mało prawdopodobnym przypadku wystąpienia poważnego incydentu związanego ze stosowaniem tego wyrobu incydent należy zgłosić producentowi i właściwemu organowi krajowemu.

Aspekty środowiskowe

O ile jest to możliwe, komponenty należy poddać recyklingowi zgodnie z lokalnymi przepisami dotyczącymi postępowania z odpadami.

Zachowanie etykiety z opakowania

Zaleca się zachować etykietę z opakowania jako potwierdzenie dostarczonego wyrobu.

Oświadczenia dotyczące znaków towarowych

Blatchford jest zarejestrowanym znakiem towarowym firmy Blatchford Products Limited.

Adres siedziby producenta



Blatchford Products Limited, Lister Road, Basingstoke RG22 4AH, Wielka Brytania.

Índice	128
1 Descrição e finalidade	129
2 Informações de segurança.....	130
3 Componentes.....	131
4 Funcionamento.....	131
5 Manutenção.....	132
6 Limitações à utilização	133
7 Alinhamento de bancada.....	134
8 Recomendações de alinhamento e ajuste da estabilidade	135
9 Alinhamento dinâmico	136
10 Manutenção do mecanismo de estabilização	137
11 Manutenção do amortecedor de extensão	141
12 Resolução de problemas	142
13 Dados técnicos	142
14 Informações para encomendas.....	143
14.1 Peças sobresselentes	143

1 Descrição e finalidade

Estas instruções destinam-se ao profissional de saúde/ortoprotésico.

Nestas instruções de utilização, o termo *dispositivo* é utilizado em referência ao joelho BMK2.

Certifique-se de que o utilizador compreende todas as instruções de utilização, com particular destaque para as informações de manutenção e segurança.

Os utilizadores têm de receber treino de marcha antes de utilizarem este dispositivo.

Aplicação

Este dispositivo destina-se a ser utilizado exclusivamente como parte de uma prótese de membro inferior.

O dispositivo é um joelho protético compacto, ativado pelo peso, com mola ajustável à extensão.

Este dispositivo destina-se a ser utilizado por um único utilizador.

Características

- Controlo da fase de apoio ajustável ativado pelo peso
- Controlo com mola ajustável à extensão, integrando um amortecimento de impacto terminal
- Ângulo de flexão máxima 130°

Nível de atividade

Este dispositivo destina-se apenas a utilizadores com um nível de atividade 1 e 2. Para informações sobre o peso máximo do utilizador, consulte a Secção 13 *Dados técnicos*.

Nível de atividade 1

Possui a capacidade ou o potencial de utilizar uma prótese para as transferências ou deambulação em superfícies niveladas, com uma cadência fixa. Típico do deambulador doméstico com ou sem limitações.

Nível de atividade 2

Tem a capacidade ou o potencial de deambulação, sendo capaz de ultrapassar barreiras ambientais de nível baixo como, por exemplo, bermas, escadas, ou superfícies irregulares. Típico do deambulador comunitário com limitações.

Nível de atividade 3

Possui a capacidade ou o potencial de deambular com uma cadência variável. Típico do deambulador comunitário capaz de ultrapassar a maioria das barreiras ambientais e que, possivelmente, tem uma atividade profissional, terapêutica ou desportiva que exige a utilização de prótese para outras finalidades além da simples locomoção.

Nível de atividade 4

Possui a capacidade ou o potencial de deambulação protética que ultrapassa as competências básicas de deambulação, demonstrando elevado impacto, tensão ou níveis de energia. Típico das exigências protéticas de crianças, adultos ativos ou atletas.

Contraindicações

Este dispositivo não é adequado para utilizadores com:

- Fraqueza muscular extrema, contracturas que não podem ser corretamente acomodadas ou disfunção propriocetiva, incluindo problemas de equilíbrio.
- Instabilidades ou patologia de articulação contralateral.
- Doenças complicadas que implicam múltiplas incapacidades.
- Utilizadores, incluindo amputados com próteses transfemorais bilaterais, que necessitam de uma função de cedência do joelho para descer escadas ou para se sentarem. Isto pode resultar em danos do mecanismo do travão que podem prejudicar a estabilidade e durabilidade.

Benefícios clínicos

- A estabilização do joelho é suavemente ativada pela carga do membro para proporcionar segurança na posição de pé e ao percorrer pisos irregulares. É depois libertada, de forma suave, na fase de afastamento dos dedos.
- A ação de resistência do mecanismo de estabilização proporciona uma flexão limitada no apoio que reduz o impacto na fase do toque de calcanhar.

2 Informações de segurança



Este símbolo de aviso destaca as informações de segurança importantes que devem ser cuidadosamente respeitadas.



Quaisquer alterações no desempenho ou funcionamento do joelho (por exemplo, movimento limitado, rigidez no movimento ou ruídos estranhos) devem ser comunicadas de imediato ao fornecedor. Durante a fase de balanço terminal, imediatamente antes do toque de calcanhar, poderá escutar alguns ruídos de impacto decorrentes da assistência à extensão à medida que o membro atinge a extensão total.



Utilize sempre os corrimões, se existentes, seja para descer escadas ou em qualquer outra situação.

Evite a exposição a condições extremas de calor/frio.



O dispositivo não se destina a ser utilizado na água nem como prótese para o duche. Se o joelho entrar em contacto com a água, seque-o de imediato.



O dispositivo não se destina a desportos radicais, atletismo ou ciclismo de competição, desportos em gelo ou neve, nem a pisos muito inclinados ou escadas íngremes. A prática das referidas atividades será da inteira responsabilidade do utilizador.



As operações de montagem, manutenção e reparação do dispositivo só devem ser levadas a cabo por um profissional de saúde devidamente qualificado.



Durante a manutenção do dispositivo, certifique-se de que não existe massa lubrificante no tambor do travão.



O utilizador apenas deve conduzir veículos devidamente adaptados. A utilização de veículos motorizados requer que os condutores respeitem a legislação em matéria de circulação rodoviária.



O utilizador não deve ajustar nem alterar a configuração do dispositivo.



O utilizador deve ser aconselhado a contactar o seu profissional de saúde caso haja alguma alteração na sua situação.



Esteja sempre atento para não ficar com os dedos presos.



Quaisquer alterações significativas na altura do calcanhar após a conclusão do alinhamento podem prejudicar o funcionamento do membro.

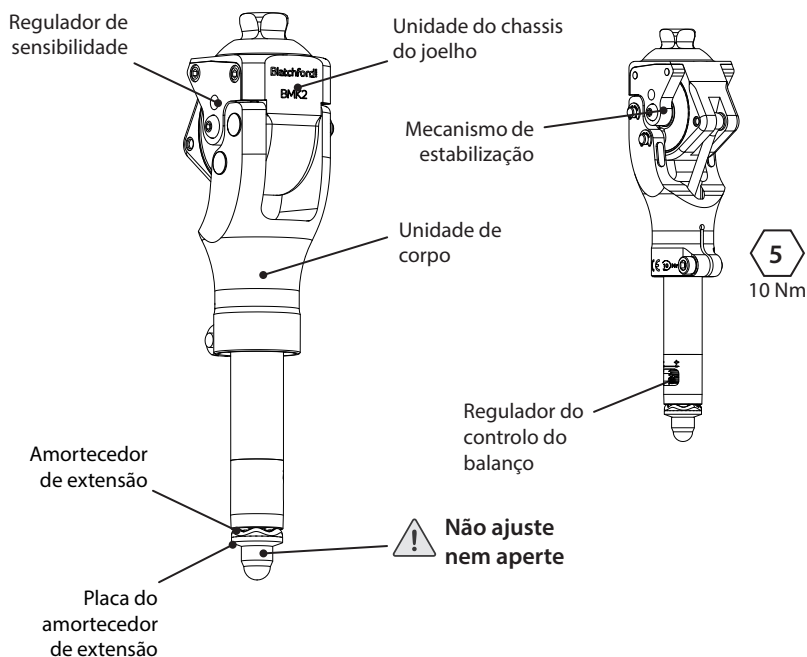
3 Componentes

Peças principais

- Unidade de corpo (alumínio, aço inoxidável, poliuretano, feltro)
- Unidade do chassis do joelho (alumínio, aço inoxidável)
- Mecanismo de estabilização (alumínio, bronze, homopolímero de acetal, poliuretano, borracha sintética)

Nota... o material de fricção no mecanismo de estabilização não contém amianto.

Identificação dos componentes



4 Funcionamento

O joelho é ativado pelo peso e a sensibilidade pode ser personalizada para se adaptar aos requisitos de estabilidade do utilizador.

O controlo do balanço é ajustado através da alteração da compressão numa mola helicoidal que controla a fase de elevação do calcanhar e a regulação da extensão.

O dispositivo proporciona flexão no apoio durante a ativação do travão devido à resistência do mecanismo da correia do travão.

5 Manutenção

A manutenção deve ser realizada por técnicos qualificados.

Recomendamos a realização da seguinte manutenção anual:

- Verifique o aperto correto de todos os parafusos, que não os de regulação (consulte a secção Componentes) (NÃO aperte a porca na extremidade distal).
- Limpe a pastilha do travão e substitua os bloqueios de extensão (consulte a Secção 10 *Manutenção do mecanismo de estabilização* para informações sobre o procedimento).
- Se detetar ruídos estranhos, tais como chiar e ranger e/ou estabilidade reduzida, proceda aos trabalhos de manutenção do mecanismo estabilizador; consulte a Secção 10 *Manutenção do mecanismo de estabilização*. Se os ruídos persistirem, contacte o seu representante da Blatchford.
- O desgaste no amortecedor de extensão é aceitável. Em caso de ruído excessivo durante a extensão total, substitua o amortecedor de extensão. Consulte a Secção 11 *Manutenção do amortecedor de extensão*.
- Verifique se existe uma folga excessiva médio-lateral no chassis.
- Se o rebordo da pastilha da correia do travão estiver desgastado até ao plástico da correia do travão, substitua a correia do travão completa. (Nota: não é possível substituir as proteções individuais.)
- Quando voltar a montar, certifique-se de que a correia do travão está colocada no sentido correto. Verifique sempre a estabilidade antes de utilizar.

O utilizador deve receber o Guia do utilizador e ser informado de que tem de comunicar as seguintes situações ao ortoprotésico:

- Quaisquer alterações no peso corporal ou nível de atividade
- Quaisquer alterações no desempenho deste dispositivo

As alterações ao desempenho podem incluir:

- Limitação no balanço
- Alterações na suavidade do balanço
- Estabilidade reduzida durante a fase de apoio
- Qualquer ruído estranho

Limpeza

Utilize um pano húmido e sabão suave para limpar as superfícies exteriores. NÃO utilize produtos de limpeza agressivos. Seque cuidadosamente antes da utilização.

6 Limitações à utilização

Vida útil prevista

O período da garantia cobre a vida útil do produto. Deve ser efetuada uma avaliação de riscos local com base na atividade e utilização.

Levantamento de pesos

O peso e a atividade do utilizador estão condicionados aos limites indicados.

O peso que o utilizador pode transportar deve basear-se numa avaliação de riscos local.

Nota... o dispositivo é ativado pelo peso e o transporte de cargas pode levar à ativação mais rápida do suporte na fase de apoio.

Ambiente

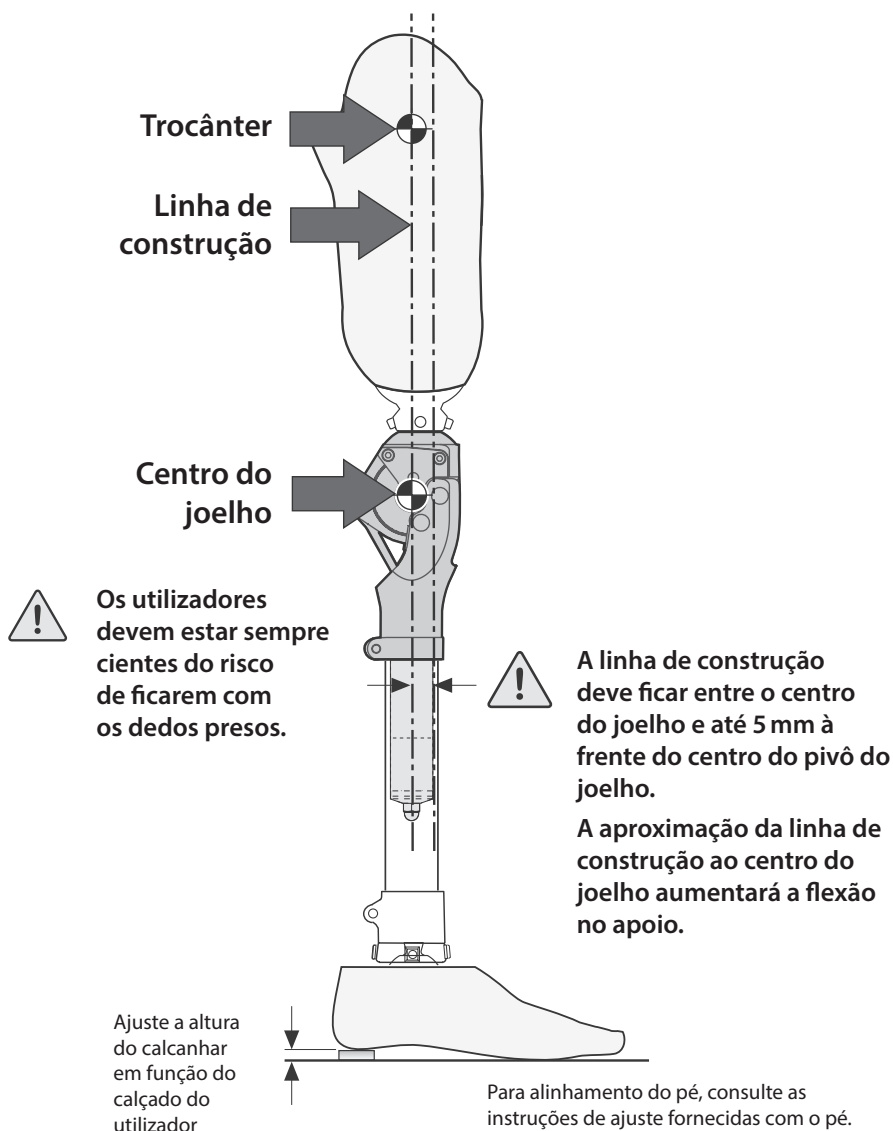
Evite expor o dispositivo a elementos corrosivos como água, ácidos e outros líquidos. Além disso, evite ambientes abrasivos como, por exemplo, locais com areia, uma vez que estes podem causar um desgaste prematuro.



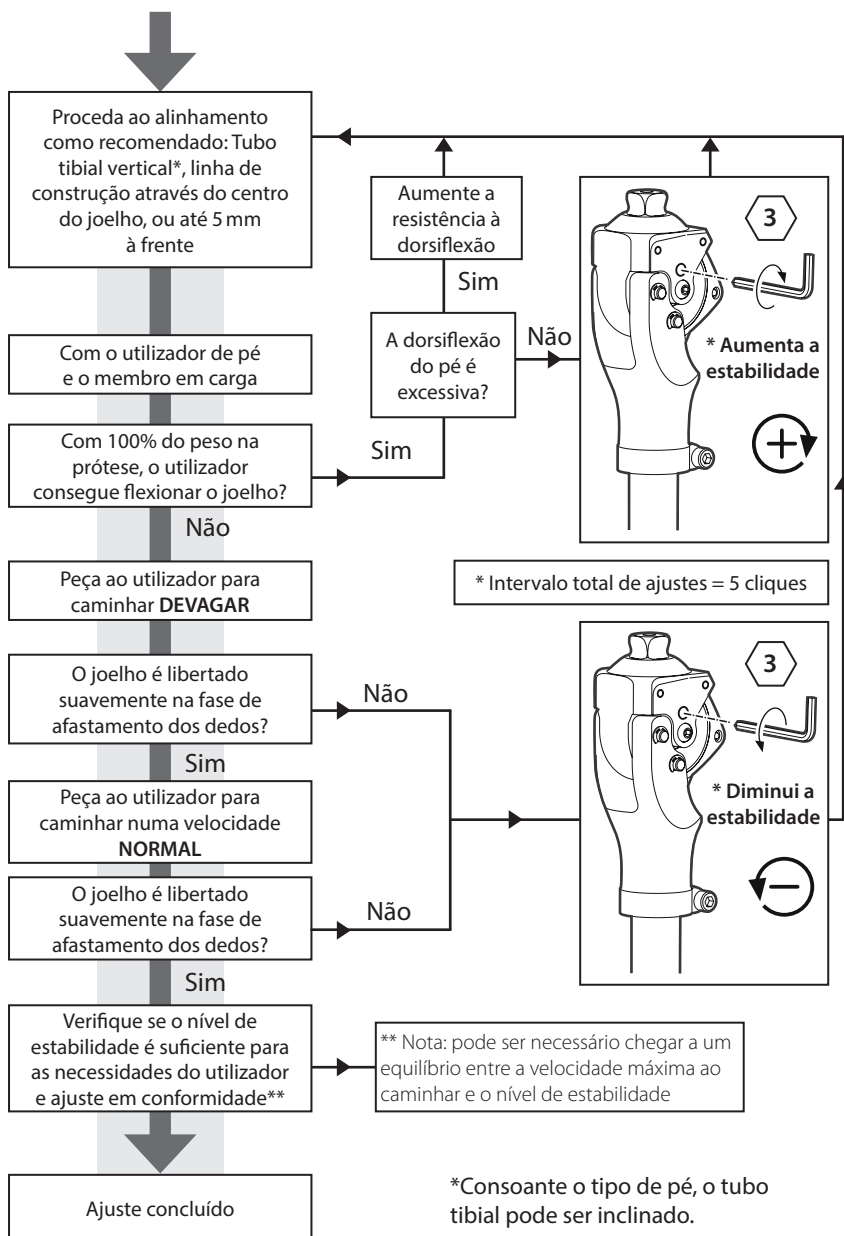
Indicado para utilização no exterior Utilizar apenas entre -15 °C e 50 °C.

7 Alinhamento de bancada

Ao alinhar a prótese para utilização com o dispositivo, é essencial posicionar a linha de construção. O joelho deve estar alinhado, de modo a ficar geometricamente estável. Com a flexão totalmente acomodada no encaixe, a linha de construção deve passar pelo trocânter e pelo centro do joelho, ou numa linha paralela ao mesmo, até 5 mm à frente do centro do joelho.



8 Recomendações de alinhamento e ajuste da estabilidade

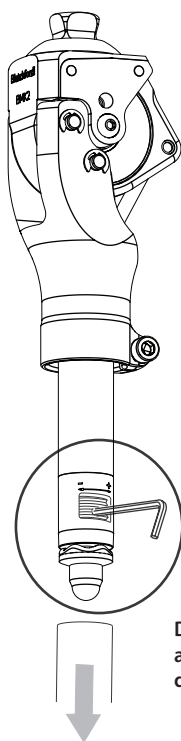


9 Alinhamento dinâmico

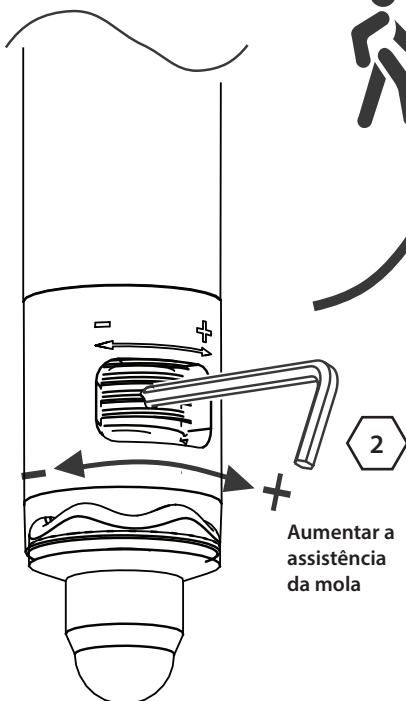
Ajuste do controle do balanço (regulação de extensão)

Nota: se acionado manualmente, pode sentir-se de imediato a ativação do amortecedor de impacto terminal antes da extensão total; isto é normal.

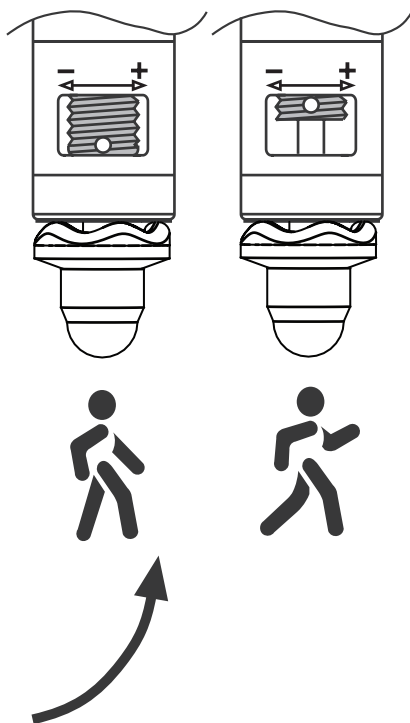
Situação	Solução
Elevação do calcanhar excessiva durante a fase de balanço ou o dispositivo não efetua a extensão total durante a fase de balanço.	Aumentar a assistência da mola
Elevação do calcanhar muito baixa durante a fase de balanço ou o utilizador sente o impacto terminal.	Diminuir a assistência da mola



Diminuir a assistência da mola



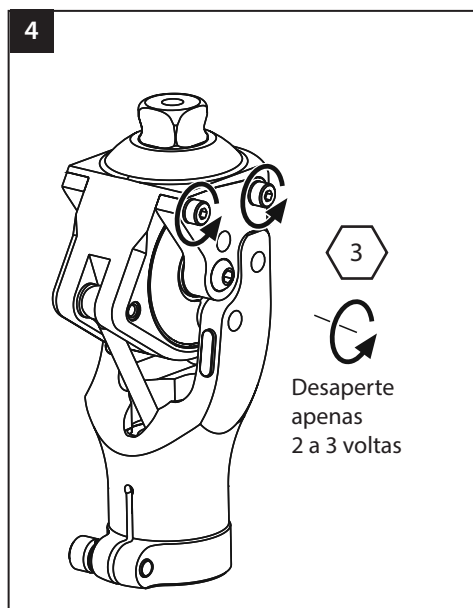
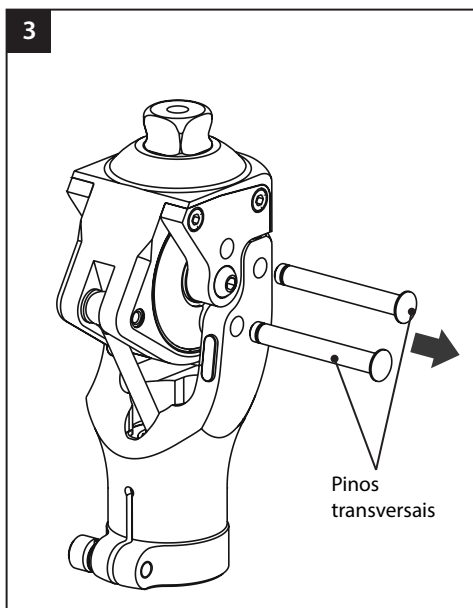
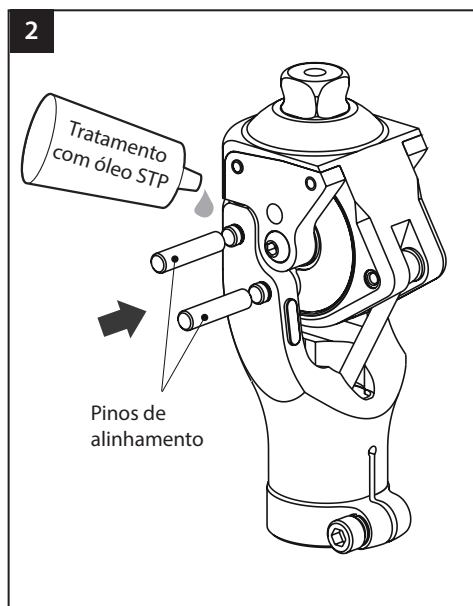
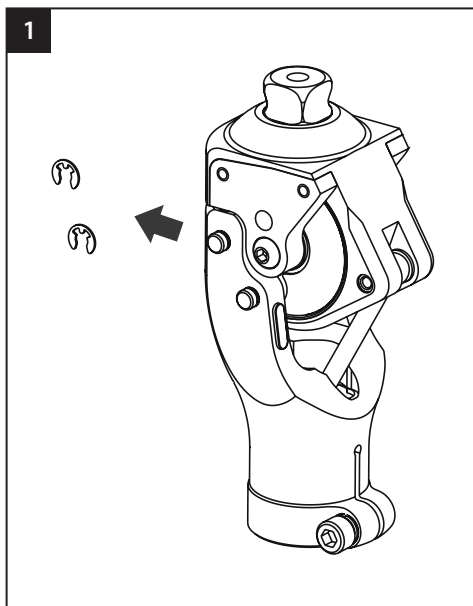
Aumentar a assistência da mola

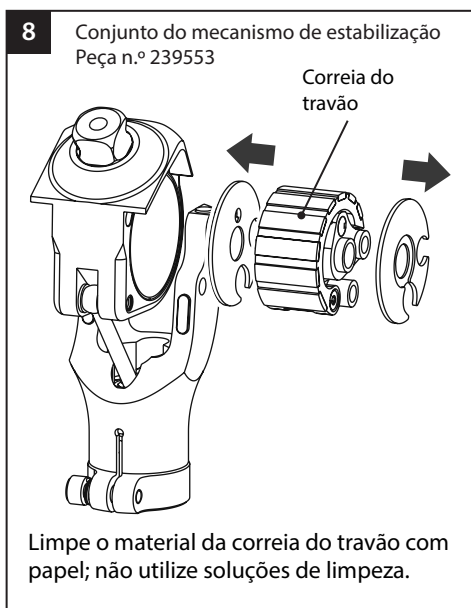
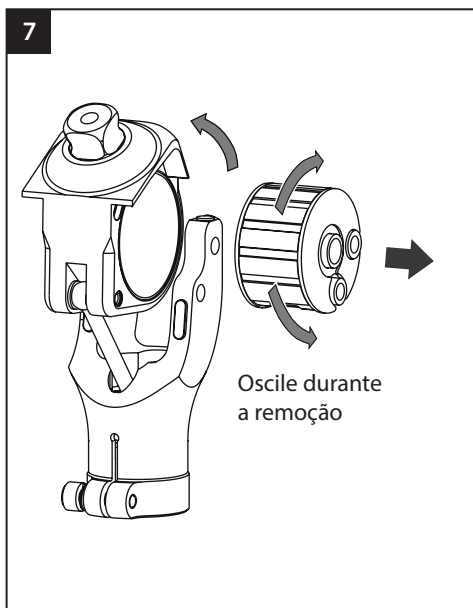
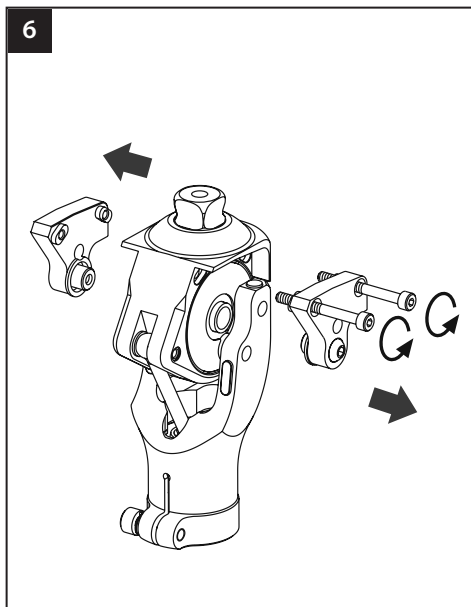
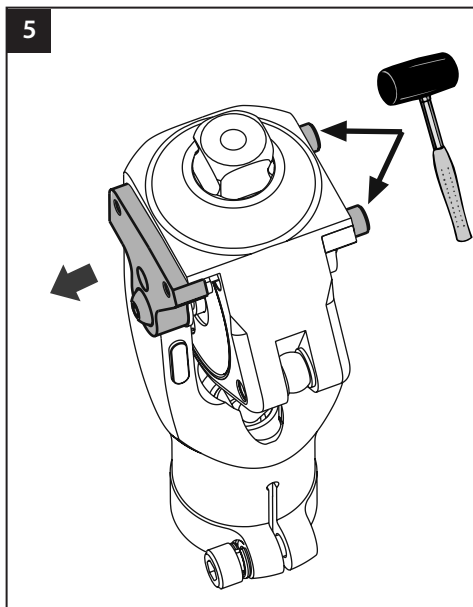


10 Manutenção do mecanismo de estabilização

⚠ Utilize sempre equipamento de saúde e segurança adequado, incluindo os instrumentos de extração.

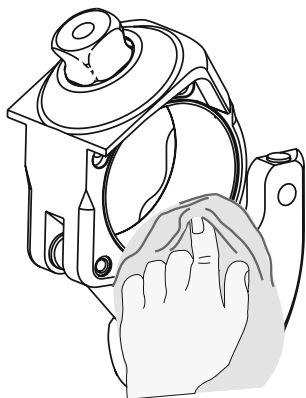
⚠ Esteja sempre atento para não ficar com os dedos presos.





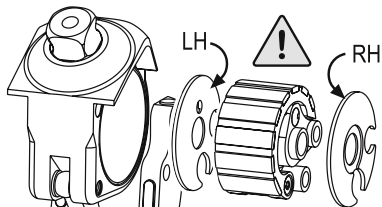
9

Limpe o orifício com uma solução adequada.

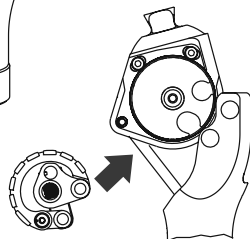


10

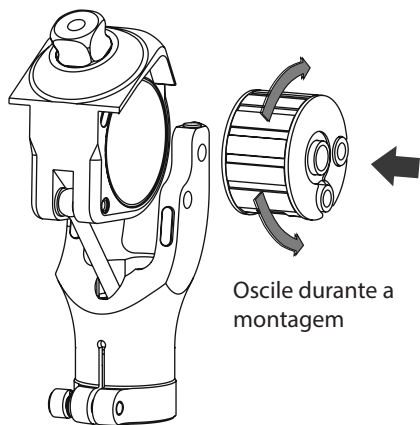
Remontagem



Tenha em conta a orientação do mecanismo

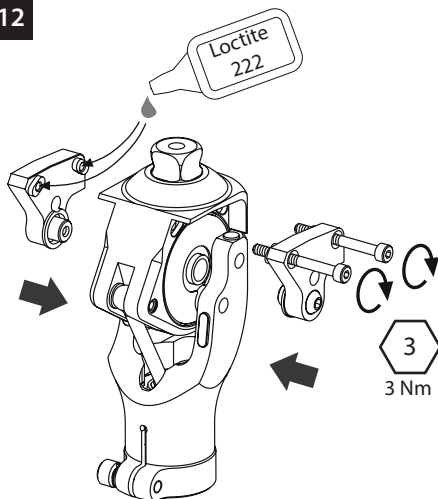


11

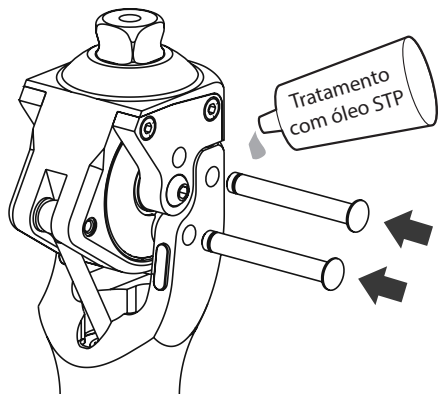


Oscile durante a montagem

12

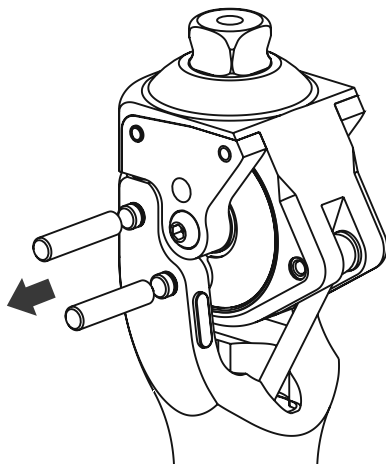


- 13** Aplique uma camada fina de massa lubrificante (Peça n.º 928105) nos pinos transversais.

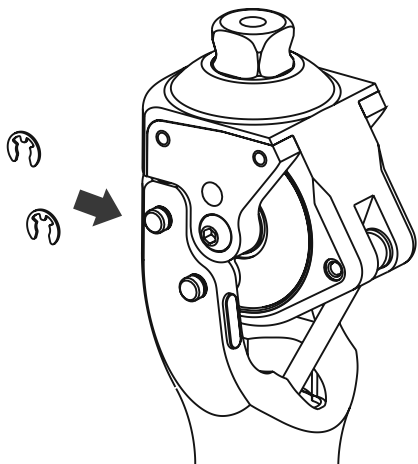


! Certifique-se de que a massa lubrificante não entra para o tambor do travão. Isto pode provocar instabilidade no dispositivo.

14



15



16

- Anualmente, substitua os 4 bloqueios da extensão. Conjunto de bloqueio da extensão, Peça n.º 239453

Bloqueios de extensão

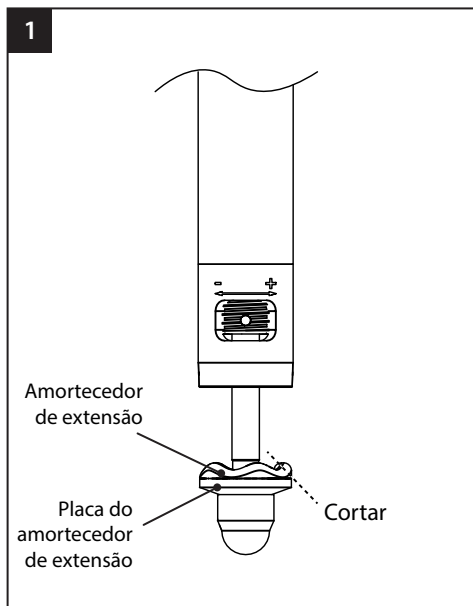


Após a manutenção, é importante rever o ajuste da estabilidade do utilizador. Consulte o fluxograma na secção Recomendações de alinhamento e ajuste da estabilidade.

11 Manutenção do amortecedor de extensão

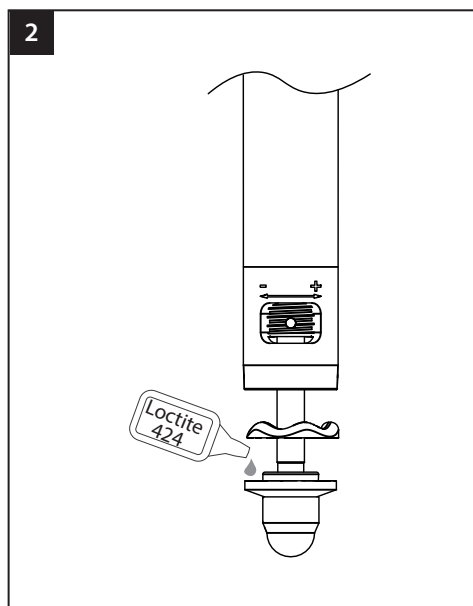
⚠ Utilize sempre equipamento de saúde e segurança adequado, incluindo os instrumentos de extração.

⚠ Esteja sempre atento para não ficar com os dedos presos.



Com uma faca, corte e retire o antigo amortecedor de extensão.

Limpe a superfície superior da placa do amortecedor de extensão com uma solução adequada.



Estique o novo amortecedor de extensão sobre a placa do amortecedor de extensão.

Fixe o amortecedor de extensão à placa do amortecedor de extensão com Loctite 424.

12 Resolução de problemas

Sintoma	Solução
Ruído excessivo do joelho.	Limpe a correia do travão e o tambor do travão. Aplique massa lubrificante nos pinos centrais. Consulte a Secção 10 <i>Manutenção do mecanismo de estabilização</i> para informações sobre os procedimentos.
O joelho não estabiliza.	Verifique o ajuste da estabilidade. Consulte a Secção 8 <i>Recomendações de alinhamento e ajuste da estabilidade</i> . Limpe o tambor do travão. Verifique se existem sinais de desgaste nas pastilhas do travão e substitua o mecanismo de estabilização se o rebordo de fuga do travão estiver danificado. Consulte a Secção 10 <i>Manutenção do mecanismo de estabilização para informações sobre os procedimentos</i> .
O joelho não se liberta.	Verifique o ajuste da estabilidade. Consulte a Secção 8 <i>Recomendações de alinhamento e ajuste da estabilidade</i> .

13 Dados técnicos

Intervalo de temperatura de funcionamento e armazenamento: Entre -15 °C e 50 °C

Peso do componente: 580 g

Nível de atividade recomendado: 2

Peso máximo do utilizador: 125 kg

Encaixe de alinhamento proximal: Pirâmide macho rotativa (Blatchford)

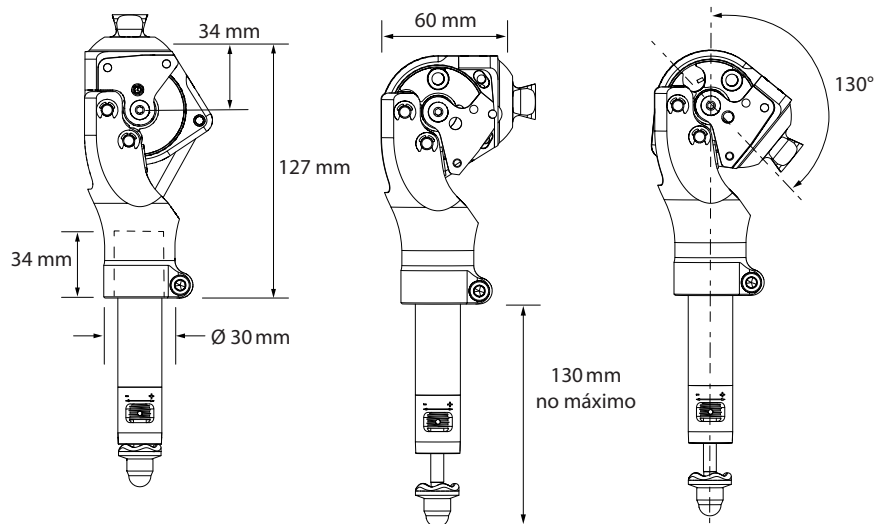
Encaixe distal: Fixação de tubo 30 mm diâm. (Blatchford)

Altura de construção: 127 mm

Pirâmide proximal à extremidade do tubo distal (+130 mm)

[Consulte *Comprimento de ajuste* na página 143]

Comprimento de ajuste





14 Informações para encomendas

Exemplo de encomenda

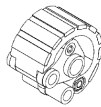


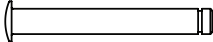


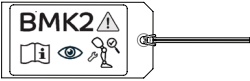

BMK2

14.1 Peças sobresselentes


Conjunto de bloqueio de extensão 239453

Descrição	Qty	Ilustração
Bloqueio de extensão - BMK2	4	
Instruções de ajuste	1	


Conjunto do mecanismo de estabilização 239553

Descrição	Qtd	Ilustração
Mecanismo de estabilização compacto	1	
Proteção contra poeiras LH	1	
Proteção contra poeiras RH	1	
Pino transversal	2	
Anel de retenção em "E" externo	2	
Pino de alinhamento	2	
Etiqueta de aviso de ajuste BMK2	1	
Instruções de ajuste	1	

Amortecedor de extensão

Descrição	Qtd	Referência	Ilustração
Amortecedor de extensão	1	B-0000021	

Consumíveis

Descrição	Qtd	Referência	Ilustração
Tratamento com óleo STP	Conforme necessário	928105	
Fixador de parafusos Loctite 222	Conforme necessário	926001	
Cola de contacto Loctite 424	Conforme necessário	926104	

Responsabilidade

O fabricante recomenda utilizar o dispositivo apenas nas condições especificadas e para os fins previstos. A manutenção do dispositivo deve ser efetuada de acordo com as instruções de utilização fornecidas com o dispositivo. O fabricante não é responsável por quaisquer acontecimentos adversos que decorram da combinação de componentes não autorizados pelo mesmo.

Conformidade CE

Este produto cumpre os requisitos do Regulamento (UE) 2017/745 relativo aos dispositivos médicos. Este produto foi classificado como um dispositivo da classe I, de acordo com as regras de classificação estipuladas no anexo VIII do referido regulamento. O certificado de declaração de conformidade UE está disponível no seguinte endereço de Internet: www.blatchford.co.uk



Dispositivo médico



Um doente – utilização múltipla

Compatibilidade

A combinação com produtos da marca Blatchford está autorizada, desde que o produto da outra marca tenha sido testado em conformidade com as normas aplicáveis e o regulamento relativo a dispositivos médicos, nomeadamente o teste estrutural, a compatibilidade dimensional e o desempenho em campo controlado.

A combinação com outros produtos com a marcação CE apenas é permitida após a realização de uma avaliação de riscos local documentada por um ortoprotésico.

Garantia

Salvo indicação em contrário, este dispositivo está abrangido por uma garantia de 24 meses a contar da data de compra original. Salvo indicação em contrário, o mecanismo de estabilização compacto está abrangido por uma garantia de 12 meses a contar da data de compra original. O desgaste na correia do travão não está abrangido pela garantia. O utilizador deve estar informado de que as alterações ou modificações que não sejam expressamente autorizadas irão anular a garantia, as licenças de utilização e as isenções. Consulte o website da Blatchford para aceder à versão integral da declaração de garantia em vigor, incluindo a informação sobre desgaste.

Comunicação de incidentes graves

No caso improvável de ocorrer um incidente grave com este dispositivo, contacte o fabricante e a sua autoridade nacional competente.

Aspetos ambientais

Quando possível, os componentes devem ser reciclados de acordo com os regulamentos locais de manuseamento de resíduos.

Conservação do rótulo da embalagem

Deverá guardar o rótulo da embalagem do dispositivo para efeitos de registo do dispositivo fornecido.

Declaração de marcas comerciais

Blatchford é uma marca registada da Blatchford Products Limited.

Sede social do fabricante

 Blatchford Products Limited, Lister Road, Basingstoke RG22 4AH, RU

Obsah	146
1 Popis a zamýšlený účel.....	147
2 Bezpečnostní informace	148
3 Konstrukce.....	149
4 Funkce	149
5 Údržba.....	150
6 Omezení použití	151
7 Vyrovnání na lavici.....	152
8 Pokyny k vyrovnání a seřízení stability	153
9 Dynamické vyrovnání.....	154
10 Údržba stabilizačního mechanismu	155
11 Údržba nárazníku extenze	159
12 Odstraňování problémů	160
13 Technické údaje	160
14 Informace pro objednávání.....	161
14.1 Náhradní díly	161

1 Popis a zamýšlený účel

Tento návod je určen pro klinické pracovníky / protetiky.

Výraz *prostředek*, který se používá v těchto pokynech, označuje koleno BMK2.

Ujistěte se, že uživatel rozumí všem pokynům k použití, a zvláštní pozornost věnujte informacím o údržbě a bezpečnosti.

Uživatelé musí být před použitím tohoto prostředku proškoleni v chůzi.

Použití

Tento prostředek je určen k použití výhradně jako součást protézy dolních končetin.

Je to kompaktní váhou aktivované koleno s nastavitelnou kompenzací pružiny extenze.

Prostředek je určen pro jednoho uživatele.

Vlastnosti

- Nastavitelná regulace postoje aktivovaná váhou.
- Nastavitelná regulace extenze zahrnující tlumení koncového dopadu.
- Maximální úhel flexe 130°.

Stupeň aktivity

Tento prostředek je určen pouze pro uživatele se stupněm aktivity 1 a 2. Maximální hmotnost uživatele je uvedena v části 13 *Technické údaje*.

Stupeň aktivity 1

Schopnost nebo předpoklady používat protézu pro přesuny nebo pohyb na rovných površích při konstantní rychlosti chůze. Typické pro limitovaný a nelimitovaný interiérový typ uživatele.

Stupeň aktivity 2

Schopnost nebo předpoklady pro chůzi se schopností překonávat malé přírodní nerovnosti a překážky, jako jsou obrubníky, schody nebo nerovné povrchy. Typické pro limitovaný exteriérový typ uživatele.

Stupeň aktivity 3

Schopnost nebo předpoklady pro pohyb s různou rychlostí chůze. Typické pro nelimitovaný typ exteriérového uživatele, který má schopnost překonat většinu přírodních nerovností a může mít odbornou, terapeutickou nebo cvičební aktivitu, která vyžaduje protetické využití nad rámec jednoduché lokomoce.

Stupeň aktivity 4

Schopnost nebo předpoklady protetické aktivity, která přesahuje základní pohybové dovednosti, s očekávanými výraznými rázy, namáháním nebo působením vysoké energie. Typické pro protetické požadavky dítěte, aktivního dospělého nebo sportovce.

Kontraindikace

Tento prostředek není vhodný pro uživatele, u kterých se vyskytuje:

- Extrémní svalová slabost, kontraktury, které nelze správně přizpůsobit, nebo propioceptivní dysfunkce včetně špatné rovnováhy.
- Kontralaterální nestabilita kloubů nebo patologie.
- Komplikovaný zdravotní stav zahrnující vícečetné postižení.
- Uživatelé, včetně osob s oboustrannou transfemorální amputací, kteří vyžadují funkci výnosu od kolena k sestupu po schodech nebo k sezení. Může to mít za následek poškození brzdového mechanismu a nepříznivě ovlivnit stabilitu a životnost.

Klinické přínosy

- Stabilizační koleno se plynule aktivuje přenesením váhy a poskytuje bezpečnost při stání a při chůzi po nerovném terénu. Poté se čistě uvolní od špičky.
- Pružný účinek stabilizačního mechanismu poskytuje omezenou flexi postoje, která omezuje náraz při úderu paty.

2 Bezpečnostní informace



Tento výstražný symbol označuje důležité bezpečnostní informace, které je třeba pečlivě dodržovat.



Jakékoli změny ve výkonu nebo funkci kolene, např. omezený pohyb, trhavý pohyb nebo neobvyklé zvuky, by měly být okamžitě nahlášeny poskytovateli protetikých služeb. Během koncového švihů bezprostředně před úderem paty může být slyšet zvuk nárazu, jehož zdrojem je podpora extenze, když končetina dosáhne plné extenze.



Při chůzi ze schodů a vždy, když je k dispozici, používejte zábradlí.

Chraňte před extrémním teplem a/nebo chladem.



Prostředek není určen pro použití ve vodě nebo jako sprchovací protěza. Pokud koleno přijde do styku s vodou, ihned jej otřete do sucha.



Prostředek není vhodný pro extrémní sporty, běh nebo cyklistiku, ledové a sněhové sporty, extrémní svahy a schody. Všechny tyto činnosti jsou prováděny zcela na vlastní riziko uživatelů.



Sestavení, údržba a opravy prostředku smí provádět pouze kvalifikovaný protetik.



Když provádíte údržbu prostředku, ujistěte se, že v brzdovém bubnu není žádné mazivo.



Při řízení se ujistěte, že jsou používána pouze vhodně dovybavená vozidla. Při řízení motorových vozidel jsou všechny osoby povinny dodržovat příslušné zákony.



Uživatel nesmí s nastavením prostředku manipulovat ani ho nijak upravovat.



Uživateli by mělo být doporučeno, aby v případě změny stavu kontaktoval svého protetika.



Neustále mějte na paměti nebezpečí zachycení prstů.



Jakékoli nadměrné změny výšky paty po dokončení vyrovnání mohou nepříznivě ovlivnit funkci končetin.

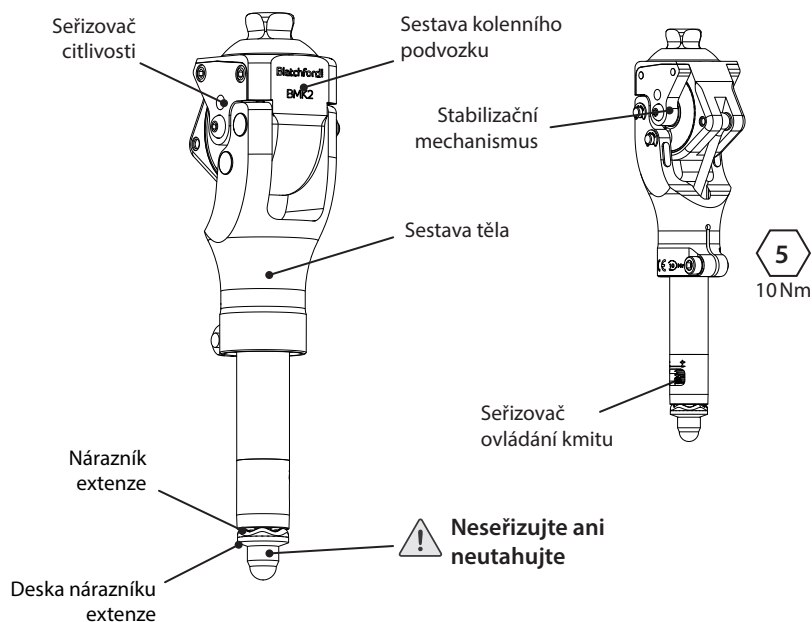
3 Konstrukce

Hlavní části

- Sestava těla (hliník, nerezová ocel, polyuretan, plst')
- Sestava kolenního podvozku (hliník, nerezová ocel)
- Stabilizační mechanismus (hliník, bronz, acetalový homopolymer, polyuretan, syntetický kaučuk)

Poznámka... Třecí materiál ve stabilizačním mechanismu neobsahuje azbest.

Identifikace komponenty



4 Funkce

Koleno je aktivováno váhou a citlivost lze přizpůsobit tak, aby vyhovovala požadavkům uživatele na stabilitu.

Ovládání kmitu je nastavitelné změnou stlačení spirálové pružiny, která ovládá zdvihání paty a kompenzaci extenze.

Prostředek poskytuje flexi postoje během aktivace brzdy v důsledku pružnosti mechanismu brzdového pásu.

5 Údržba

Údržbu smí provádět pouze kvalifikovaný personál.

Doporučuje se provádět následující minimální údržbu jednou ročně:

- Zkontrolujte pevné utažení všech seřizovacích šroubů (viz část Konstrukce) (NEPŘETÁHNĚTE zakrytou matici na distálním konci).
- Vyčistíte brzdovou destičku a vyměňte zářáčky extenze (postup viz část 10 *Údržba stabilizačního mechanismu*).
- V případě neobvyklých zvuků, jako je skřípání a vrzání a/nebo snížená stabilita, proveďte údržbu stabilizačního mechanismu, viz část 10 *Údržba stabilizačního mechanismu*. Pokud zvuky přetrvávají, obraťte se na svého zástupce společnosti Blatchford.
- Opatření nárazníku extenze je přijatelné. Pokud je při plné extenzi přítomen nadměrný hluk, vyměňte nárazník extenze. Viz část 11 *Údržba nárazníku extenze*.
- Zkontrolujte, zda není medio-laterální vůle podvozku nadměrná.
- Pokud je zadní hrana destičky brzdového pásu opotřebená až na plastovou část, vyměňte celý brzdový pás. (Poznámka: Podložky nelze vyměňovat jednotlivě.)
- Při zpětné montáži zajistěte, že je orientace brzdového pásu správná. Před použitím vždy zkontrolujte stabilitu.

Uživatelé musí být předána Uživatelská příručka, která je součástí dodávky, a doporučeno, aby protetikovi hlásil následující:

- Jakékoli změny tělesné hmotnosti nebo stupně aktivity
- Jakékoli změny ve výkonu tohoto prostředku

Změny výkonu mohou zahrnovat:

- Omezený kmit
- Změny plynulosti kmitu
- Snížená stabilita během postoje
- Jakékoli neobvyklé zvuky

Čištění

K čištění vnějších povrchů používejte vlhký hadřík a jemné mýdlo, NEPOUŽÍVEJTE agresivní čisticí prostředky. Před použitím důkladně osušte.

6 Omezení použití

Zamýšlená životnost

Provozní životnost produktu je kryta záruční dobou – místní hodnocení rizik by mělo být provedeno na základě aktivity a použití.

Zvedání břemen

Hmotnost a aktivita uživatele se řídí uvedenými limity.

Povolené zatížení uživatele by měla vycházet z místního posouzení rizik.

Poznámka... Prostředek se aktivuje váhou a přenášení břemen může způsobit rychlejší aktivaci podpory stoje.

Prostředí

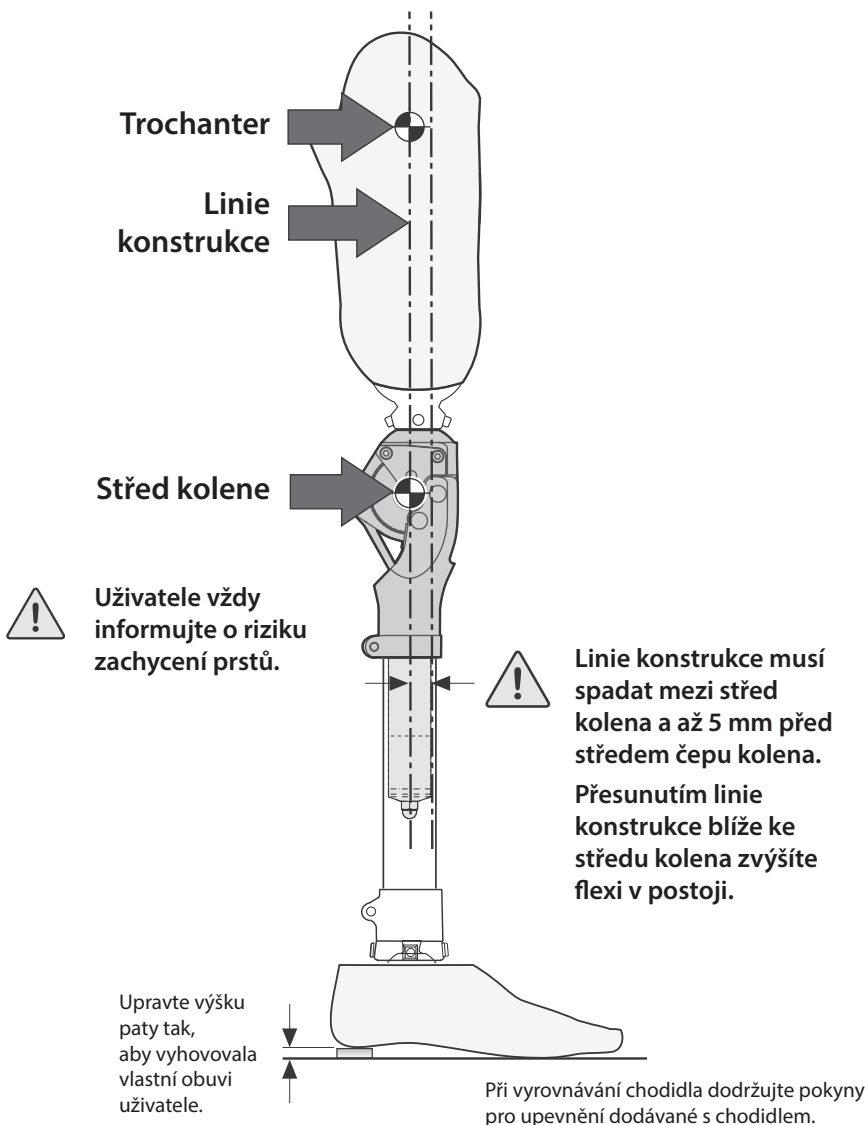
Nevystavujte prostředek korozivním vlivům, jako je voda, kyseliny a jiné kapaliny. Rovněž se vyhněte abrazivním prostředím, jako jsou například prostředky obsahující písek, protože by mohlo dojít k předčasnému opotřebení.



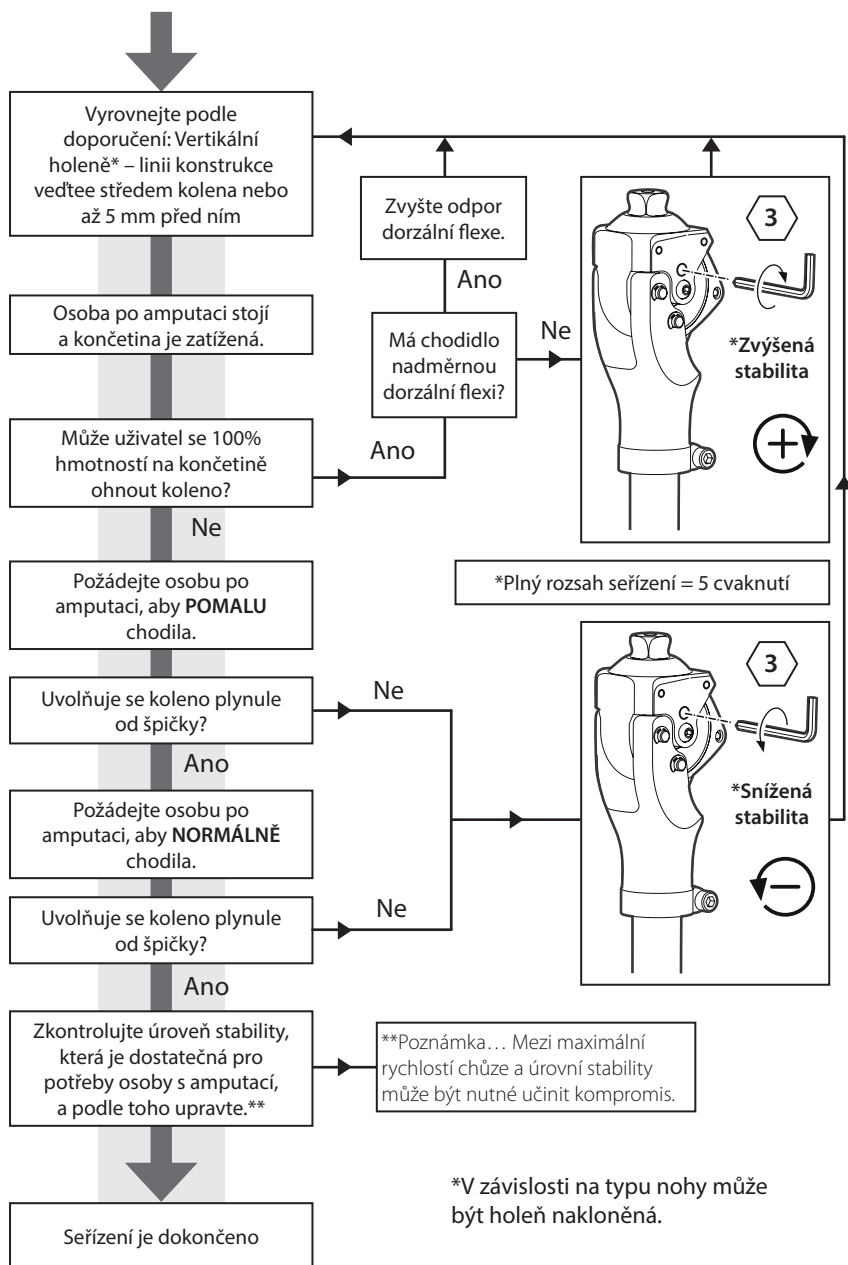
Vhodné pro venkovní použití Výhradně pro použití při teplotách -15 °C až 50 °C.

7 Vyrovnání na lavici

Při zarovnávání protězy pro použití s prostředkem je kritická poloha linie konstrukce. Koleno by mělo být vyrovnáno tak, aby bylo geometricky stabilní. Při úplném přizpůsobení flexe v jamce by linie konstrukce měla procházet trochanterem a středem kolena nebo v ose rovnoběžné s tímto středem až do 5 mm před středem kolena.



8 Pokyny k vyrovnání a seřízení stability

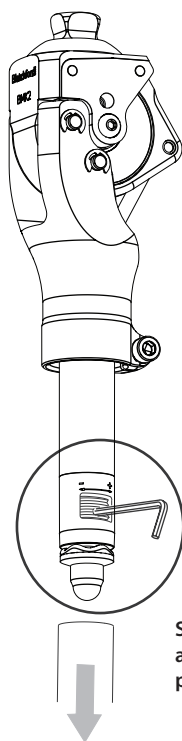


9 Dynamické vyrovnání

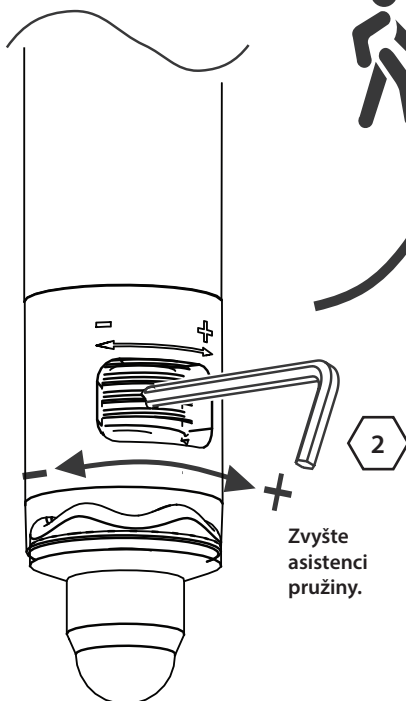
Nastavení ovládání kmitu (kompenzace kmitu)

Poznámka... Při ručním ovládní lze bezprostředně před úplnou extenzí pocítit koncový náraz. To je normální.

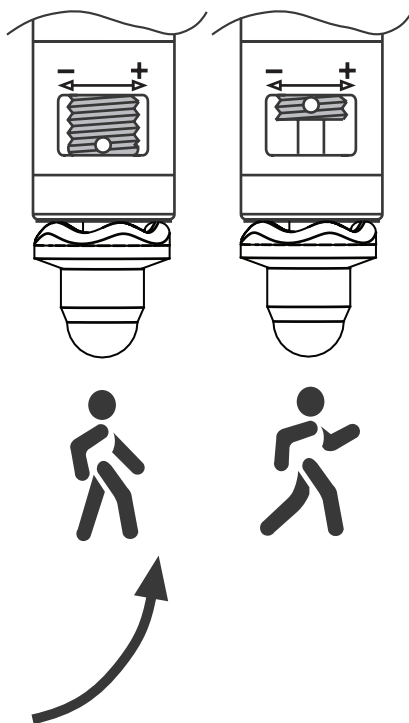
Situace	Řešení
Zdvižení paty během kmitu je příliš velké nebo během kmitu nedojde k úplné extenzi.	Zvyšte asistenci pružiny.
Zdvižení paty během kmitu je příliš malé nebo uživatel vnímá koncový náraz.	Snižte asistenci pružiny.



Snižte asistenci pružiny.



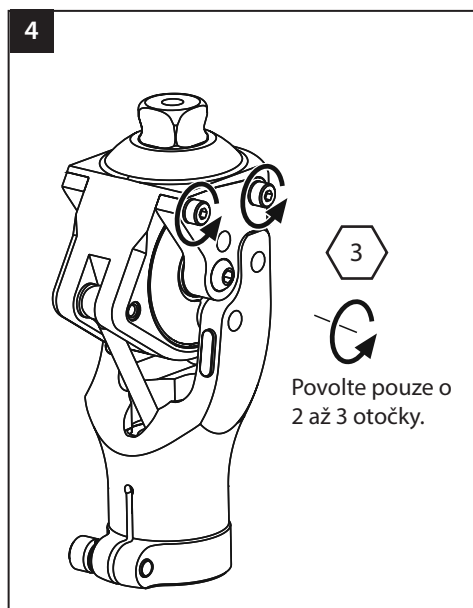
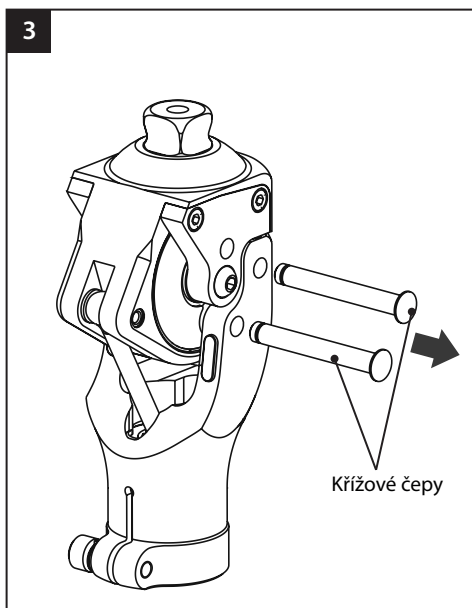
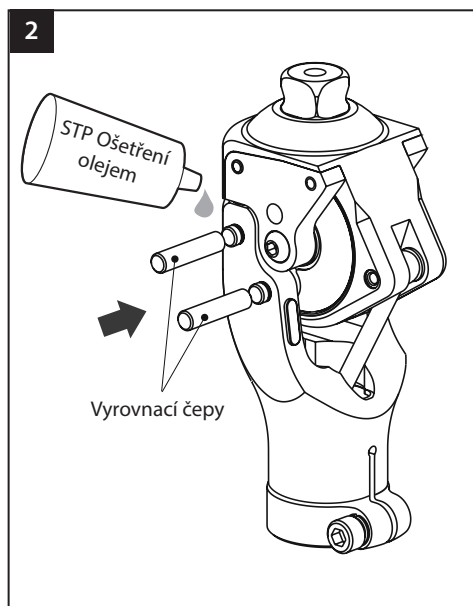
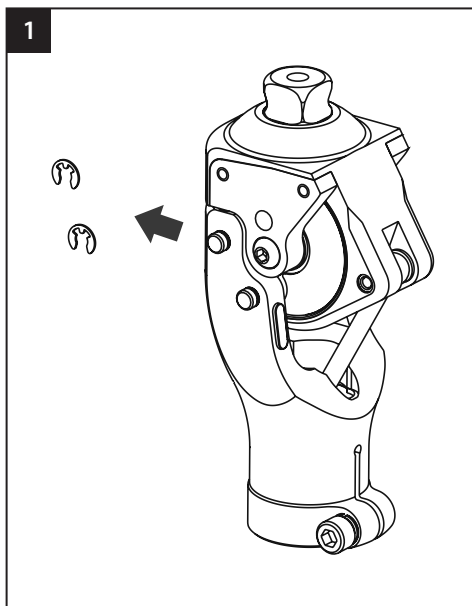
Zvyšte asistenci pružiny.

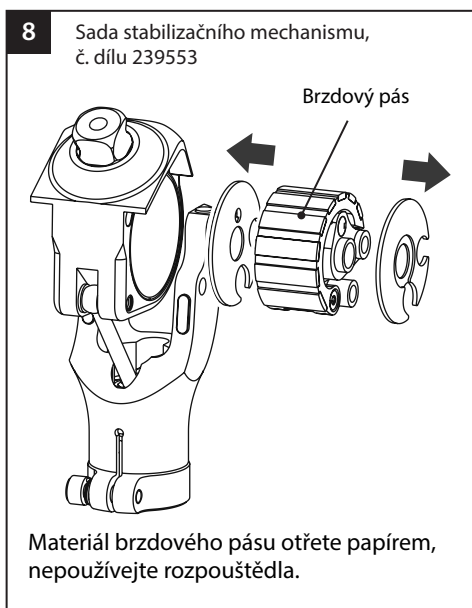
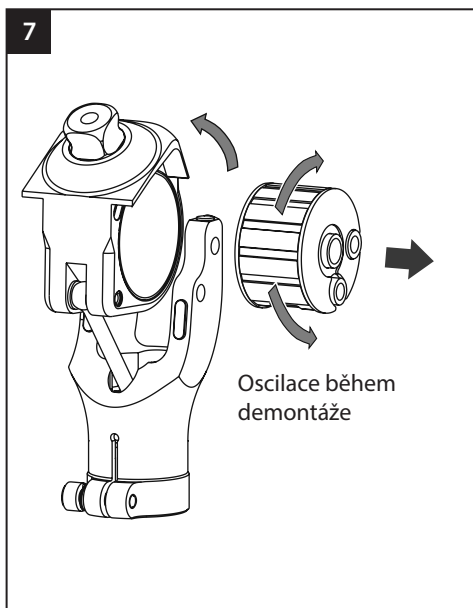
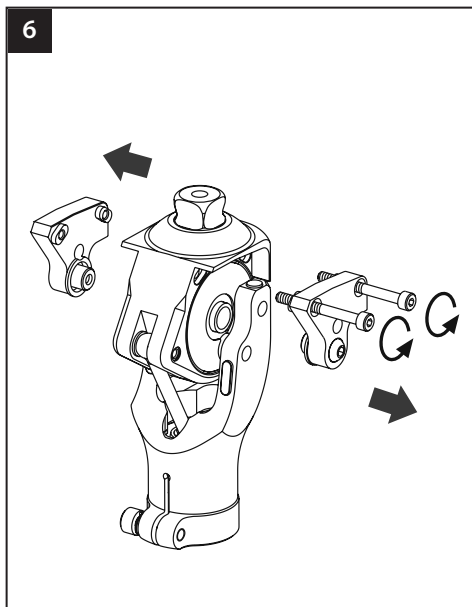
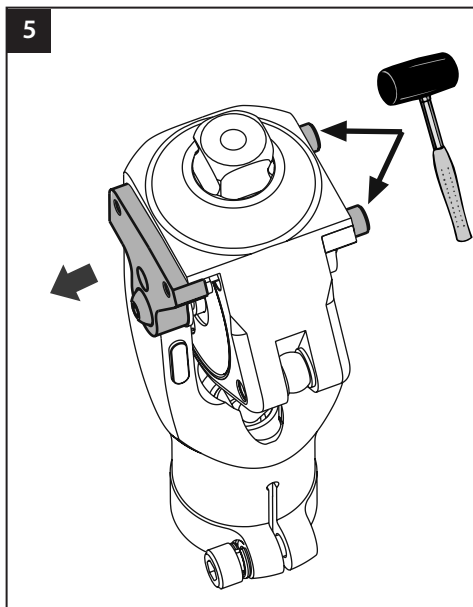


10 Údržba stabilizačního mechanismu

⚠ Vždy používejte vhodné zdravotní a bezpečnostní vybavení včetně odsávacích zařízení.

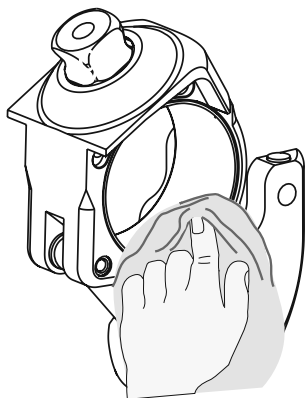
⚠ Neustále mějte na paměti nebezpečí zachycení prstů.





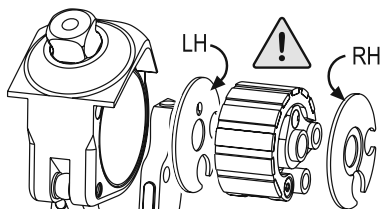
9

Vyčistěte otvor vhodným
rozpuštědlem.

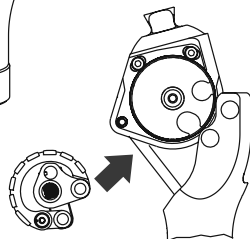


10

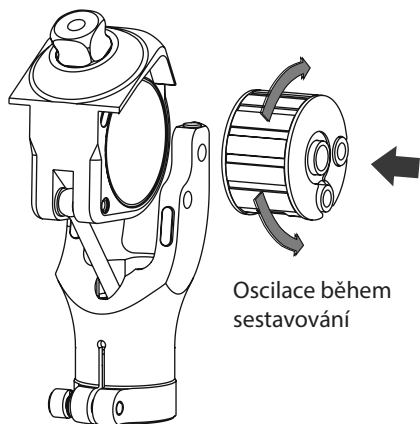
Opětovné sestavení



Všimněte si
orientace
mechanismu.

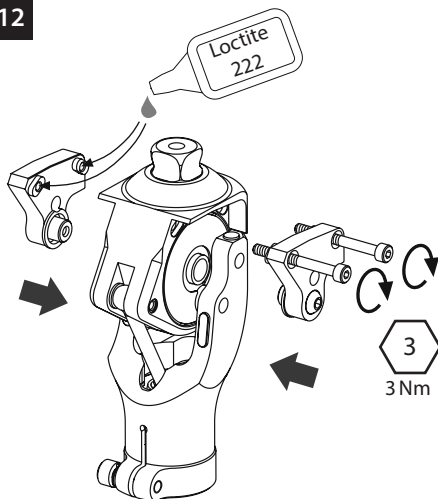


11



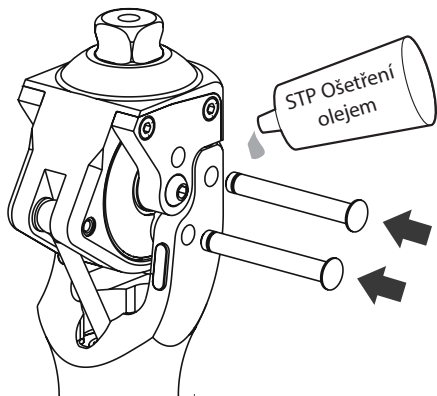
Oscilace během
sestavování

12



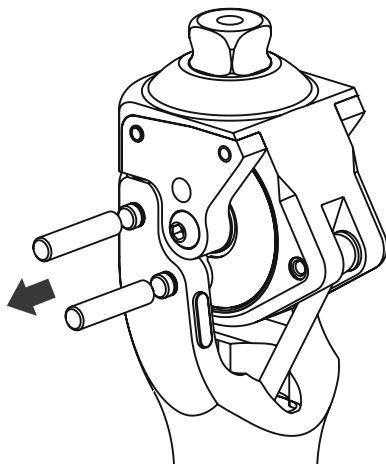
3
3 Nm

- 13** Naneste tenkou vrstvu maziva (č. dílu 928105) na křížové čepy.

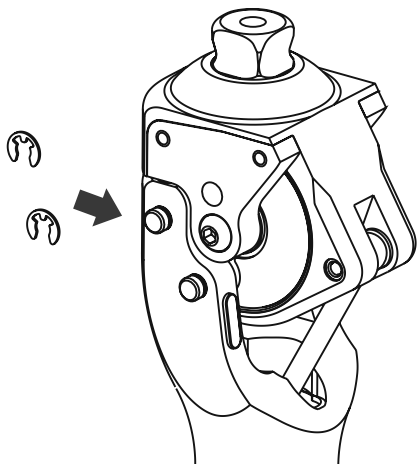


! Ujistěte se, že do brzdového bubnu nevniklo žádné mazivo. Mohlo by to způsobit nestabilitu prostředku.

14



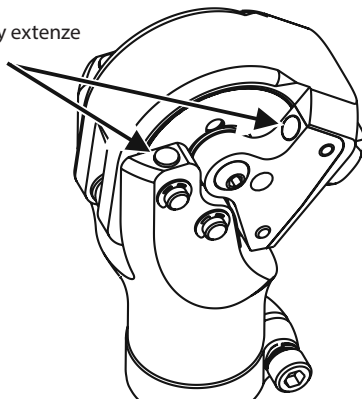
15



16

Jednou ročně vyměňte všechny 4 zarážky extenze. Sada zarážek extenze, č. dílu 239453

Zarážky extenze

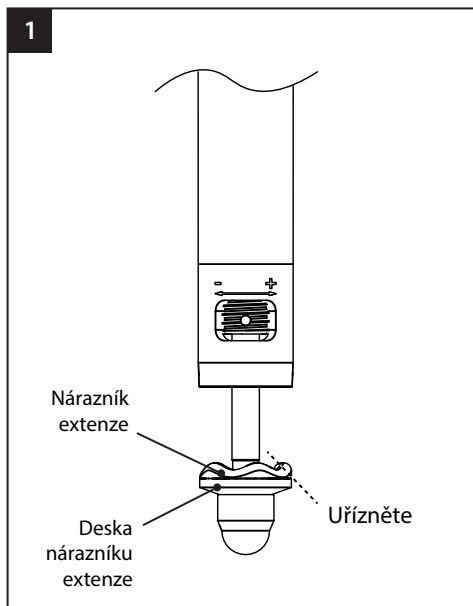


Po údržbě je důležité zkontrolovat seřízení stability uživatele.
Viz vývojový diagram v části Pokyny k zarovnání a seřízení stability.

11 Údržba nárazníku extenze

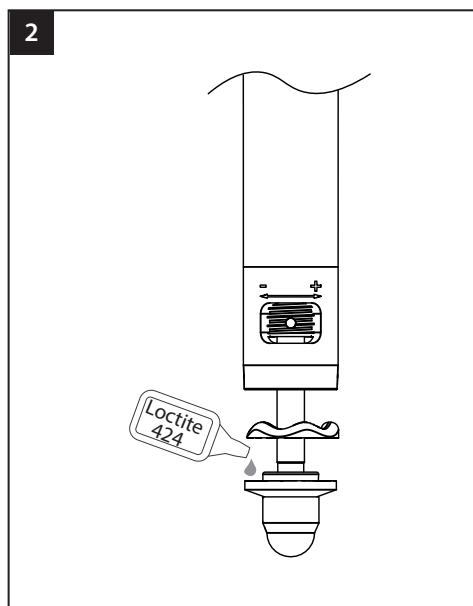
⚠ Vždy používejte vhodné zdravotní a bezpečnostní vybavení včetně odsávacích zařízení.

⚠ Neustále mějte na paměti nebezpečí zachycení prstů.



Pomocí nože odřízněte a odstraňte starý nárazník extenze.

Očistěte horní povrch desky nárazníku extenze pomocí vhodného rozpouštědla.



Natáhněte nový nárazník extenze na desku nárazníku extenze.

Upevněte nárazník extenze na desku nárazníku extenze přípravkem Loctite 424.

12 Odstraňování problémů

Problém	Řešení
Nadměrný hluk z kolena.	Vyčistěte brzdový pás a brzdový buben. Naneste mazivo na otočné čepy. Postupy viz část 10 <i>Údržba stabilizačního mechanismu.</i>
Koleno se nestabilizuje.	Zkontrolujte nastavení stability. Viz část 8 <i>Pokyny k vyrovnání a seřízení stability.</i> Vyčistěte brzdový buben. Zkontrolujte opotřebení brzdových destiček a v případě poškození zadní hrany brzdy vyměňte stabilizační mechanismus. Postupy viz část 10 <i>Údržba stabilizačního mechanismu.</i>
Koleno se neuvolní	Zkontrolujte nastavení stability. Viz část 8 <i>Pokyny k vyrovnání a seřízení stability.</i>

13 Technické údaje

Rozsah provozních a skladovacích teplot: -15 °C až 50 °C

Hmotnost komponentu. 580 g

Doporučený stupeň aktivity: 2

Maximální hmotnost uživatele: 125 kg

Upevnění proximálního nástavce: Rotační vnitřní pyramida (Blatchford)

Distální nástavec Objímka trubky, průměr 30 mm (Blatchford)

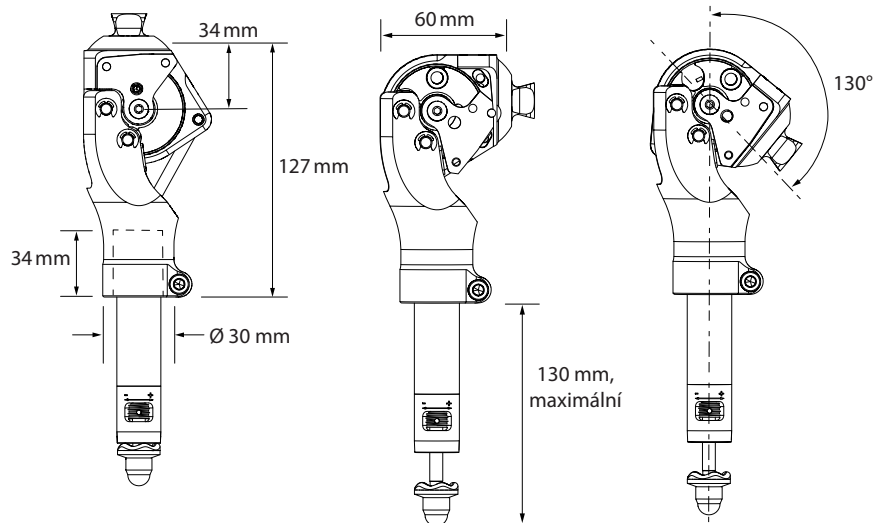
Výška konstrukce: 127 mm

Proximální pyramida (+130 mm)

k distálnímu konci trubky

[Viz *Délka pro montáž* na straně 161]

Délka pro montáž





14 Informace pro objednávání

Příklad objednávky

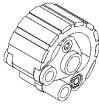


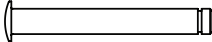

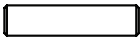


BMK2

14.1 Náhradní díly


Sada zarážek extenze 239453

Popis	Množ.	Ilustrace
Zarážka extenze – BMK2	4	
Pokyny pro nasazování	1	

Sada stabilizačního mechanismu 239553

Popis	Množ.	Ilustrace
Kompaktní stabilizační mechanismus	1	
Protiprachový kryt, levý	1	
Protiprachový kryt, pravý	1	
Křížový čep	2	
Vnější „E“ kroužek držáku	2	
Vyrovňovací čep	2	
Výstražný štítek seřízení BMK2	1	
Pokyny pro nasazování	1	

Nárazník extenze

Popis	Množ.	Číslo dílu	Ilustrace
Nárazník extenze	1	B-0000021	

Spotřební materiál

Popis	Množ.	Číslo dílu	Ilustrace
STP Ošetření olejem	Podle potřeby	928105	
Loctite 222 Screwlock	Podle potřeby	926001	
Lepidlo Loctite 424	Podle potřeby	926104	

Zodpovědnost

Výrobce doporučuje používat prostředek pouze za stanovených podmínek a pro zamýšlené účely. Údržba prostředku musí být prováděna v souladu s pokyny k použití, které byly dodány s prostředkem. Výrobce nenes odpovědnost za jakýkoli nepříznivý výsledek způsobený kombinací komponent, které nebyly autorizovány.

Soulad CE

Tento produkt splňuje požadavky směrnice EU 2017/745 o zdravotnických prostředcích. Tento produkt byl klasifikován jako produkt třídy I podle klasifikačních kritérií uvedených v příloze VIII tohoto předpisu. Prohlášení o shodě EU je dostupné na následující internetové adrese: www.blatchford.co.uk



Zdravotnický prostředek



Jeden pacient – více použití

Kompatibilita

Kombinace se značkovými produkty Blatchford je schválena na základě testování v souladu s příslušnými normami a MDR, včetně strukturálních zkoušek, rozměrové kompatibility a sledovaného výkonu v terénu.

Kombinace s alternativními produkty s označením CE musí být provedena s ohledem na zdokumentované místní posouzení rizik provedené protetikem.

Záruka

Na tento prostředek se poskytuje záruka po dobu 24 měsíců od data nákupu, není-li uvedeno jinak. Na kompaktní stabilizační mechanismus se poskytuje záruka po dobu 12 měsíců od data nákupu, není-li uvedeno jinak. Na opotřebením brzdového pásu se záruka nevztahuje. Uživatel by si měl být vědom, že změny nebo úpravy, které nejsou výslovně schváleny, mohou zrušit platnost záruky, provozních licencí a výjimek. Aktuální úplné prohlášení o záruce, včetně opotřebením, naleznete na webových stránkách společnosti Blatchford.

Hlášení vážných nehod

V nepravděpodobném případě, že dojde k vážné nehodě v souvislosti s tímto prostředkem, měla by být nahlášena výrobcí a příslušnému národnímu orgánu.

Aspekty životního prostředí

Pokud je to možné, měly by být komponenty recyklovány v souladu s místními předpisy pro nakládání s odpady.

Uchování štítku na obalu

Doporučuje se uchovat štítek na obalu jako záznam o dodaném prostředku.

Uznání ochranné známky

Blatchford je registrovaná ochranná známka společnosti Blatchford Products Limited.

Sídlo výrobce



Blatchford Products Limited, Lister Road, Basingstoke RG22 4AH, Spojené království.

blatchford.co.uk/distributors

Blatchford Products Ltd.

Unit D Antura
Kingsland Business Park
Basingstoke
RG24 8PZ
UNITED KINGDOM
Tel: +44 (0) 1256 316600
Fax: +44 (0) 1256 316710
Email: customer.service@blatchford.co.uk
www.blatchford.co.uk

Blatchford Inc.

1031 Byers Road
Miamisburg
Ohio 45342
USA
Tel: +1 (0) 800 548 3534
Fax: +1 (0) 800 929 3636
Email: info@blatchfordus.com
www.blatchfordus.com

Blatchford Europe GmbH

Am Prime-Parc 4
65479 Raunheim
GERMANY
Tel: +49 (0) 9221 87808 0
Fax: +49 (0) 9221/87808 60
Email: info@blatchford.de
www.blatchford.de

Email: contact@blatchford.fr
www.blatchford.fr

Endolite India Ltd.

A4 Naraina Industrial Area
Phase - 1
New Delhi
INDIA – 110028
Tel: +91 (011) 45689955
Fax: +91 (011) 25891543
Email: endolite@vsnl.com
www.endoliteindia.com

Ortopro AS

Hardangervegen 72
Seksjon 17
5224 Nesttun
NORWAY
Tel: +47 (0) 55 91 88 60
Email: post@ortopro.no
www.ortopro.no



Blatchford Europe GmbH
Am Prime-Parc 4
65479 Raunheim Germany

