

ESK+ Stanceflex

Instructions for Use

ESKSFP30
ESKSFP30PYR

SMARTIPSF30
SMARTIPSF30PYR

ESKSF30
ESKSF30PYR

EN	Instructions for Use	2
FR	Instructions d'utilisation	20
DE	Gebrauchsanweisung	38
IT	Istruzioni per l'uso	56
ES	Instrucciones de uso	74
NL	Gebruiksaanwijzing	92
PL	Instrukcje użytkownika	110
PT	Instruções de utilização	128
CS	Návod k použití	146

Contents	2
1 Description and Intended Purpose	3
2 Safety Information	5
3 Construction	6
4 Function.....	7
5 Maintenance	7
6 Limitations on Use	8
7 Bench Alignment.....	9
8 Alignment Advice and Stability Adjustment.....	10
9 Fitting Advice.....	11
9.1 Changing Stanceflex Rubbers	11
9.2 Front Stop Adjustment - Adjustable Trunnion	12
9.3 Further Adjustments.....	13
10 Assembly Instructions	14
10.1 Changing Front Stop Buffer.....	14
10.2 Changing Shin Stops.....	14
10.3 Removing ESK+ Mechanism	15
10.4 Replacement of ESK+ Mechanism	16
11 Technical Data	17
12 Ordering Information	18

1 Description and Intended Purpose

These Instructions for Use are intended for use by the practitioner and user unless otherwise stated.

The term device is used throughout these instructions for use to refer to Stanceflex ESK+ products.

Please read and ensure you understand all instructions for use, in particular all safety information and maintenance instructions.

Application

This device is to be used exclusively as part of a lower limb prosthesis.

This device is for a single user.

The device is a uniaxial weight activated stabilized knee with integrated stance flexion element and is intended to improve safety and reduce compensation.

The shin can be fitted with a PSPC (Pneumatic Swing Phase Control) or SmartIP (Smart Intelligent Prosthesis) swing phase control or supplied without a cylinder.

A rubber element at the rear of the knee chassis provides extra stance flexion.

Features

	Manually adjusted PSPC	Microprocessor controlled SmartIP
Stance flexion during weight bearing	✓	✓
Tough carbon fibre frame	✓	✓
140 degree knee flexion	✓	✓
Adjustable sensitivity of knee stability	✓	✓
Independent manually adjustable swing controls for flexion and extension	✓	
Microprocessor controlled swing control in flexion with manually adjustable terminal impact damping in extension		✓

Activity Level

This device is for Activity Level 2, 3 and 4 users (weight limits apply, see *Technical Data*).

This device might not be suitable for Activity Level 1 users or for use in competitive sports events. These types of users might be better served by a specially designed prosthesis that is optimized for their needs.

Activity Level 1

Has the ability or potential to use a prosthesis for transfers or ambulation on level surfaces at fixed cadence. Typical of the limited and unlimited household ambulator.

Activity Level 2

Has the ability or potential for ambulation with the ability to traverse low-level environmental barriers such as curbs, stairs, or uneven surfaces. Typical of the limited community ambulator.

Activity Level 3

Has the ability or potential for ambulation with variable cadence. Typical of the community ambulator who has the ability to traverse most environmental barriers and may have vocational, therapeutic, or exercise activity that demands prosthetic utilization beyond simple locomotion.

Activity Level 4

Has the ability or potential for prosthetic ambulation that exceeds basic ambulation skills, exhibiting high impact, stress, or energy levels. Typical of the prosthetic demands of the child, active adult, or athlete.

Clinical Benefits

- Weight-activated stance control and adjustable swing control provide smooth, safe gait with a free knee.
- Stanceflex improves shock absorption.
- Microprocessor swing control allows optimized gait characteristics across a range of walking speeds. (SmartIP only.)

Contraindications

This device is not suitable for:

- Users with extreme muscular weakness, contractures that cannot be correctly accommodated, or proprioceptive dysfunction including poor balance.
- Users with contralateral joint instabilities or pathology.
- Users with complicated conditions involving multiple disabilities.
- Users, including bilateral transfemoral amputees, who require a yielding function from the knee to descend stairs or to sit. This can result in damage of the brake mechanism that can adversely affect stability and durability.



Users must be given gait training before using this device.



Make sure that the user has understood all instructions for use, drawing particular attention to all maintenance and safety information sections.

2 Safety Information



This warning symbol highlights important safety information.



Beware of finger trap hazard all times.



Any changes in the performance or function of the limb e.g. instability, double-action, restricted movement, non-smooth motion or unusual noises should be immediately reported to your service provider.



Always use a hand rail when descending stairs and at any other time if available.



Any excessive changes in the heel height after finalization of alignment may adversely affect limb function.



Ensure only suitably retrofitted vehicles are used when driving. All persons are required to observe their respective driving laws when operating motor vehicles.



Care should be taken when carrying heavy loads as this may adversely affect the stability of the device.



The user should be advised to contact their practitioner if their condition changes.



Avoid exposure to extreme heat and/or cold.



Assembly, maintenance and repair of the device must only be carried out by a suitably qualified clinician.

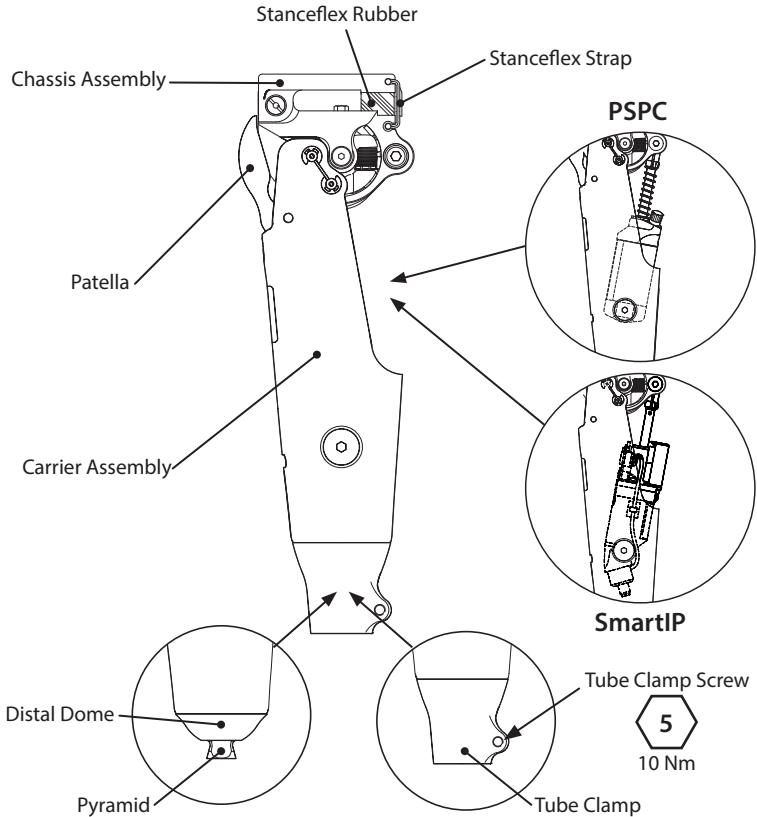


The device is not intended for use when immersed in water or as a shower prosthesis. If the limb comes into contact with water wipe dry immediately.

3 Construction

Principal Parts

- Carrier Assembly Carbon fibre composite & stainless steel
- Chassis Assembly Aluminium alloy, stainless steel, engineering thermoplastic, fibre reinforced (asbestos free) friction material.
- Distal Dome Aluminium alloy
- Distal Pyramid Titanium with stainless steel bolt
- Distal Tube Clamp Aluminium alloy
- Patella Engineering thermoplastic
- Stanceflex Rubber Natural rubber
- Stanceflex strap Kevlar
- PSpC Aluminium alloy, stainless steel, titanium, engineering thermoplastic
- SmartIP Control Cylinder Aluminium alloy, stainless steel, Titanium, engineering thermoplastic
Electronic components, batteries



4 Function

The knee is a uniaxial design comprising a knee pivot connecting a chassis to a carrier. A weight activated stabilizing knee mechanism is housed within the chassis. The knee chassis has a pivotally connected top plate which is resiliently supported by a rubber block, this provides a stance flexion action under load and absorbs shock loads at heel strike.

A knee control cylinder sits within this frame assembly, fitted between the chassis posterior pivot and the carrier distal pivot.

The PSPC cylinder has manually adjustable valves which give independent control of flexion and extension resistance during swing phase.

The SmartIP control cylinder uses sensors inside the cylinder to monitor walking speed and automatically adjusts flexion resistance accordingly. Extension control is via fixed adjustment of a terminal impact damper.

5 Maintenance

Visually check the device regularly.

Report any changes in performance of this device to the practitioner/service provider e.g. unusual noises, increased stiffness or restricted/excessive rotation, significant wear or excessive discoloration from long term exposure to UV.

Inform the practitioner/service provider of any changes in body weight and/or activity level.

Cleaning

Use a damp cloth and mild soap to clean the outside surfaces. DO NOT use aggressive cleansers.

The remaining instructions in this section are for practitioner use only.

This maintenance must be carried out only by competent personnel (practitioner or suitable trained technician).

To maintain optimum performance, a periodic inspection for unacceptable noise, play and stability is recommended. The period between inspections is determined by factors such as the activity of the user, frequency of usage and the stability setting of the knee.

As a guide, if the setting is 6 clicks or above and the user averages 600,000 steps per annum, an annual inspection is recommended.

If the stability setting is less than 6 clicks and/or the user averages fewer than the average number of steps, the period in between inspections may be longer.

The use of a Limb Activity Monitor is recommended to determine step count.

We recommend adjusting the knee to the individuals' stability requirements to ensure optimal stability and durability. See adjustment guide/flow diagram.

At these inspections:

- Check for visual defects that may affect proper function.
- Check for M-L play of chassis and excess compression of the Stanceflex rubber. Replace bearings and Stanceflex rubber if necessary.
- Check front stop and replace if necessary.
- Check shin stops and replace if necessary.
- Dis-assemble, clean and reassemble knee mechanism.

Advise the user that a regular visual check of the device is recommended and any changes in performance of this device must be reported to the practitioner. Changes in performance may include: increase or decrease in knee stiffness, instability, reduced knee support (free movement), any unusual noise.

If this device is used for extreme activity, the maintenance level and interval should be reviewed and if required advice and technical support sought to plan a new maintenance schedule dependent upon the frequency and nature of the activity. This should be determined by a local risk assessment carried out by a suitably qualified individual.

Storage and Handling

When storing for prolonged periods, the device should be kept dry and within a temperature range of -15 °C to 50 °C. (5 °F to 122 °F)

Use product packaging supplied.

6 Limitations on Use

Intended life:

A local risk assessment should be carried out based upon activity and usage.

Lifting Loads

User weight and activity is governed by the stated limits.

Load carrying by the user should be based on a local risk assessment.

Environment:

Avoid exposing the device to corrosive elements such as water, acids and other liquids. Also avoid abrasive environments such as those containing sand for example as these may promote premature wear.

Exclusively for use between -15 °C and 50 °C
(5 °F to 122 °F)



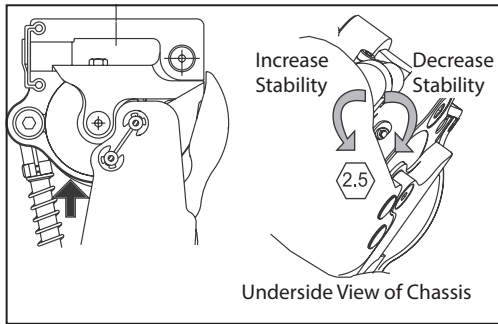
Suitable for outdoor use

7 Bench Alignment

The instructions in this section are for practitioner use only.

Walking Trials

Spring Stack Adjuster



Fully extend limb to access the adjuster.

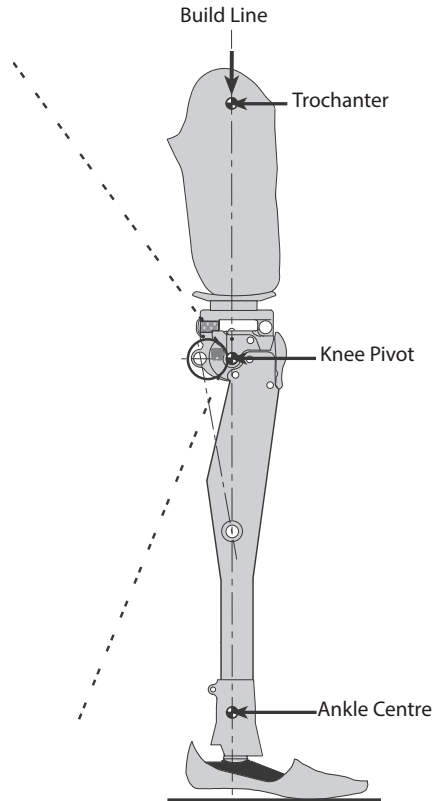
Rotate the **SPRING STACK ADJUSTER** to achieve the required stability for the individual amputee.

Note... Audible clicks should be heard upon adjustment, and the adjuster is self locking.

Tighten the SPRING STACK to reduce stability.

Release the SPRING STACK to increase stability
- See above.

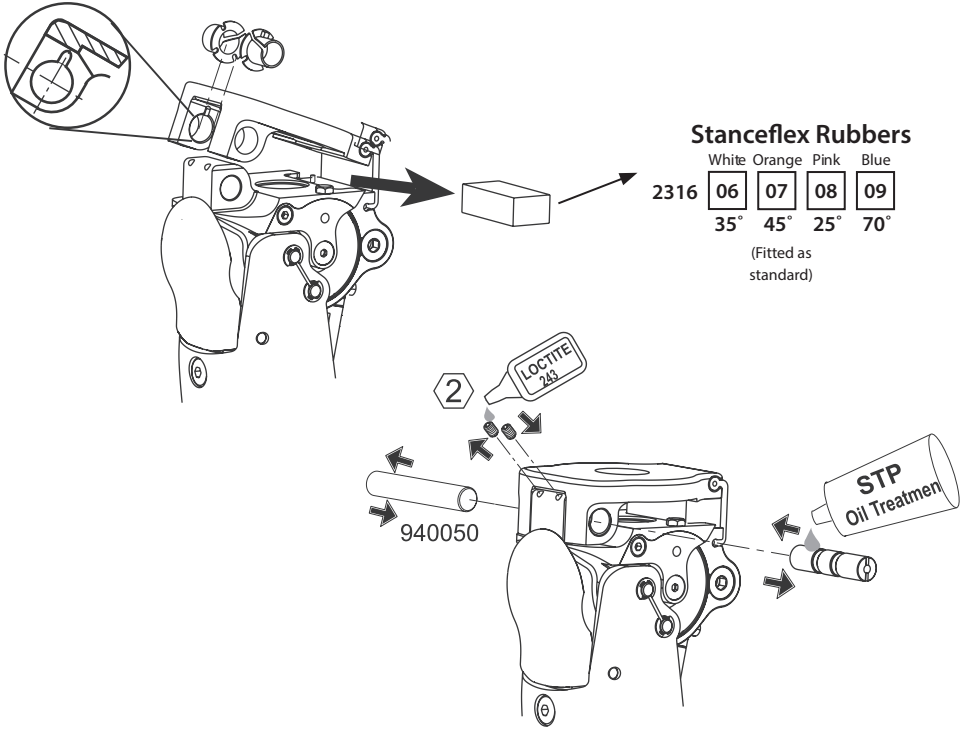
If required, the adjuster may be reset to the factory setting. This can be achieved by reducing stability by six audible clicks from the maximum stability setting.



9 Fitting Advice

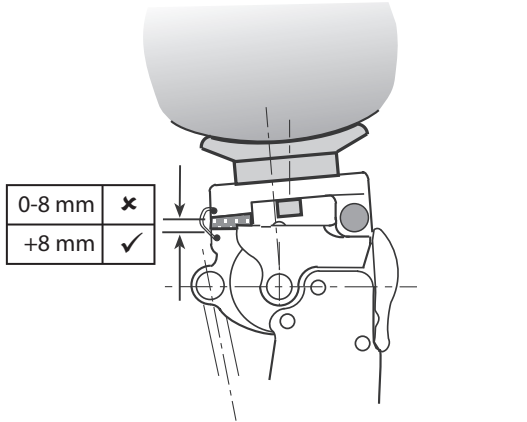
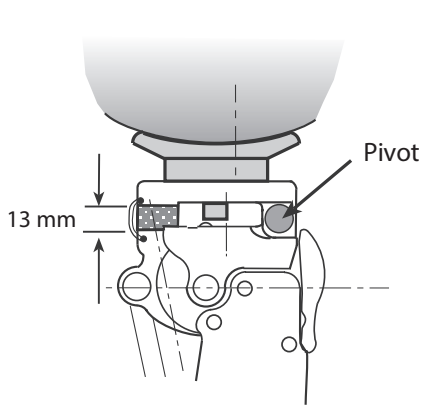
The instructions in this section are for practitioner use only.

9.1 Changing Stanceflex Rubbers



Static

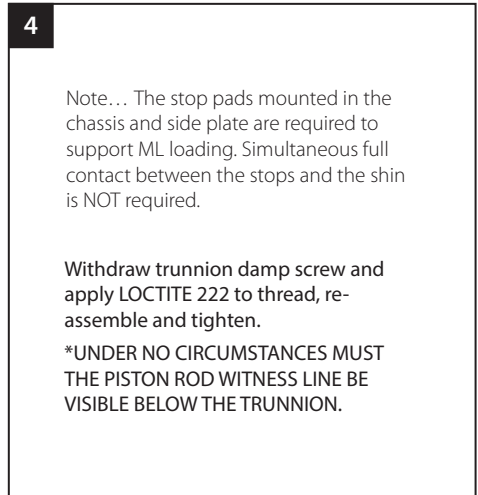
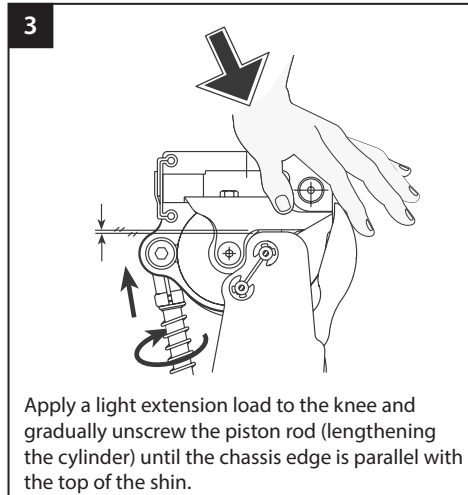
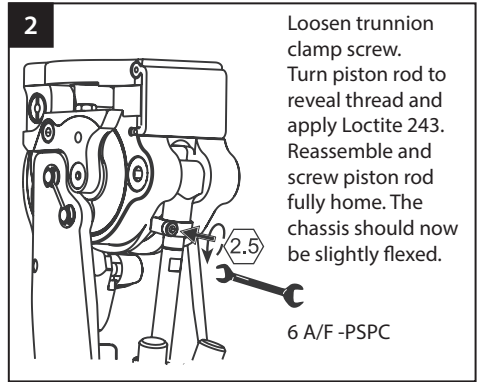
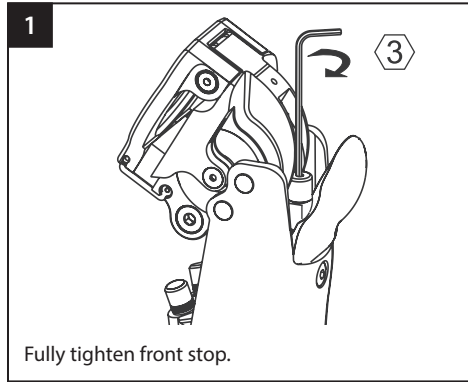
Knee Flexion Following Heel Strike



9.2 Front Stop Adjustment - Adjustable Trunnion

The instructions in this section are for practitioner use only.

Fitted to the PSPC



Front Stop Adjustment - Non-Adjustable Intelligent Prosthesis

(As fitted to older SmartIP models.)

No adjustment is necessary when using these cylinders. They require the front stop to be fully tightened as shown in Stage 1.

9.3 Further Adjustments

The instructions in this section are for practitioner use only.

Symptom	Solution
Knee does not stabilise	Increase sensitivity
	Shift socket Anteriorly
	Replace stabilizing mechanism if trailing edge of brake is damaged
	Check Stanceflex rubber and replace if necessary (See minimum thickness in compression in <i>Knee Flexion Following Heel Strike</i> section)
Knee does not release	Decrease sensitivity
	Check correct adjustment of piston rod length
	Shift socket posteriorly
Heel rise too high during swing	See control cylinder IFU
Heel rise too low during swing	See control cylinder IFU
User experiences terminal impact	See control cylinder IFU
Device does not fully extend during swing	See control cylinder IFU

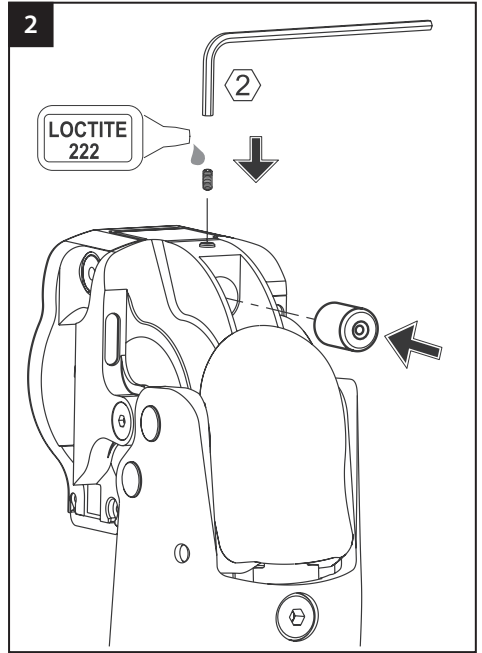
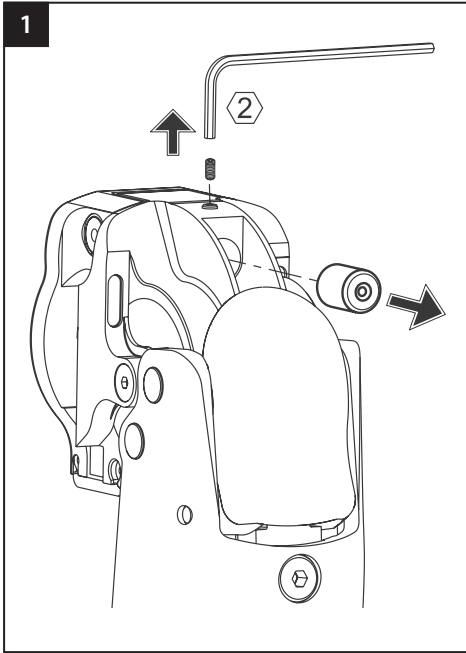
If after following these instructions you still have problems with the function please contact the sales team in your area for advice.

10 Assembly Instructions

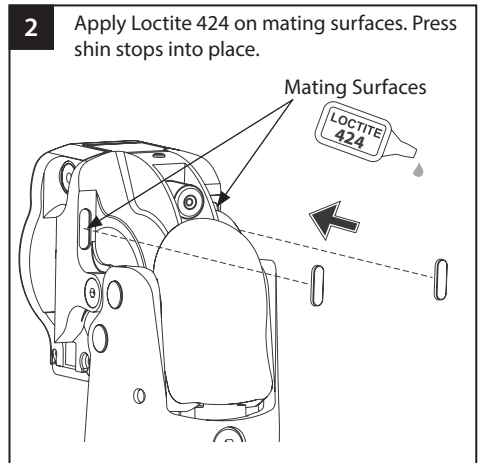
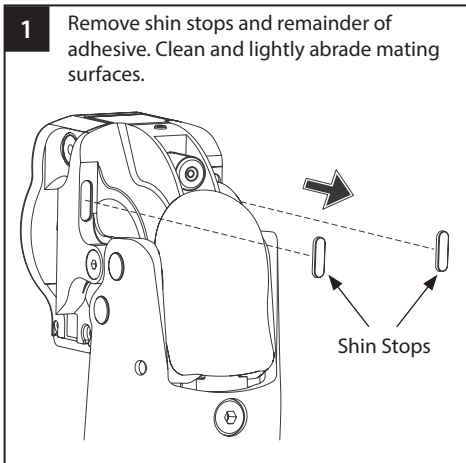
The instructions in this section are for practitioner use only.

10.1 Changing Front Stop Buffer

When fitting a new front stop, always re-adjust, and if applicable check length of cylinder if fitted with an adjustable trunnion. (See previous page.)

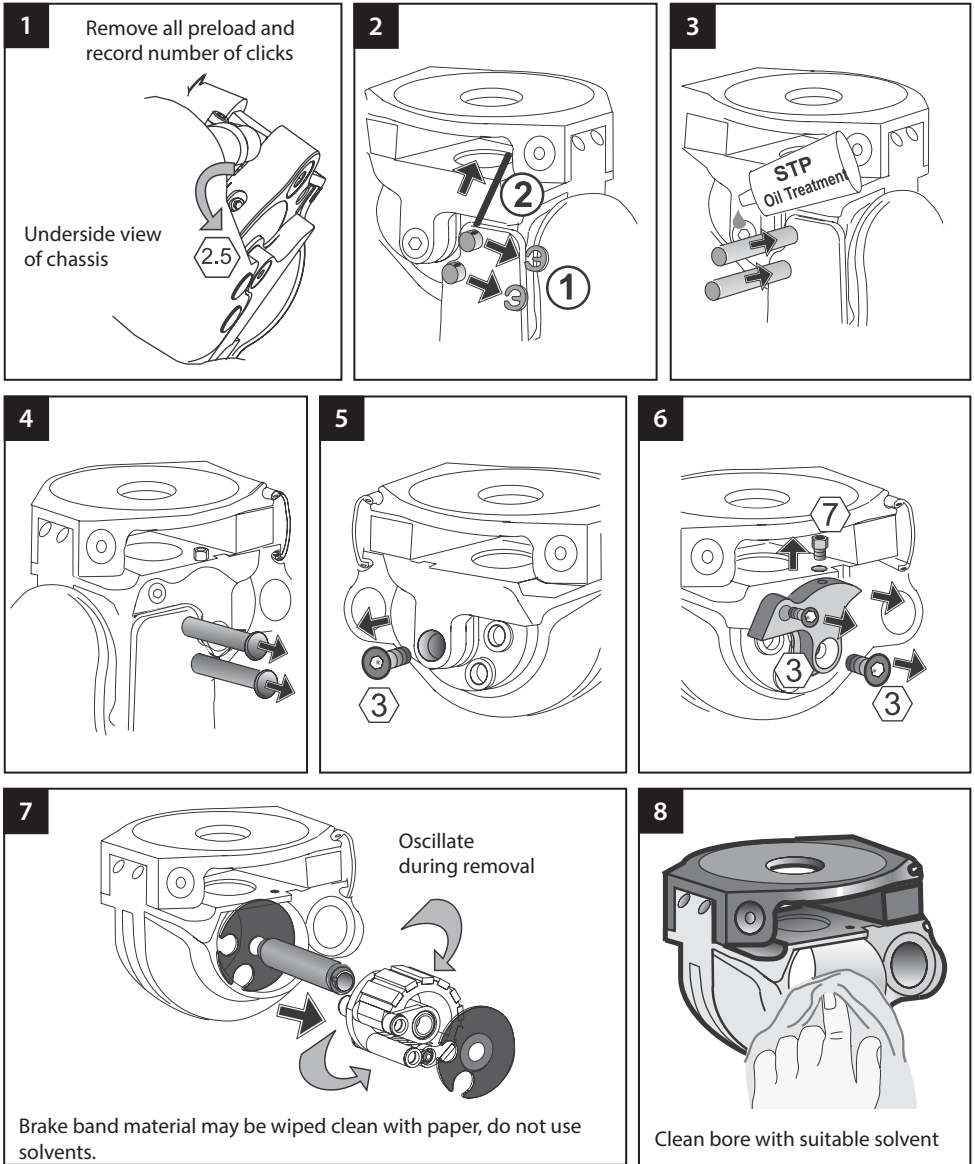


10.2 Changing Shin Stops



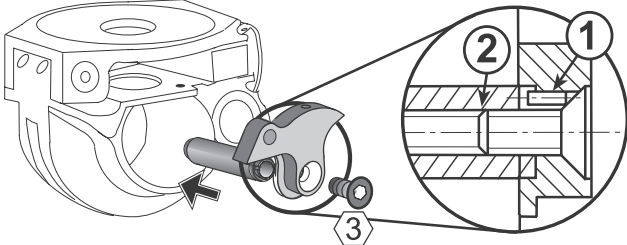
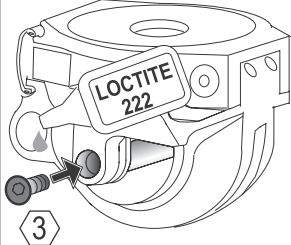
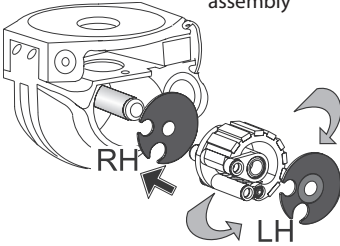
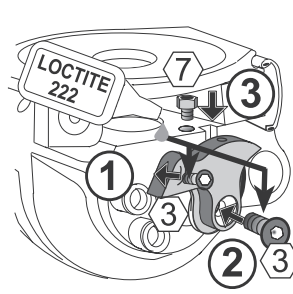

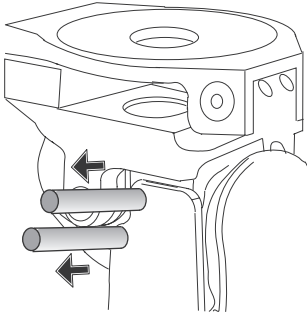
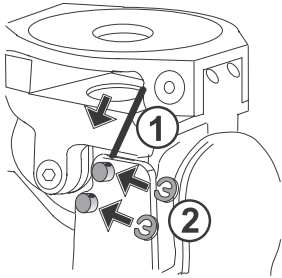
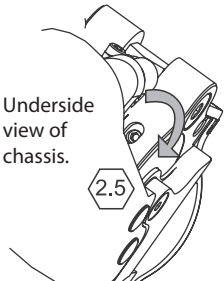
10.3 Removing ESK+ Mechanism

The instructions in this section are for practitioner use only.



10.4 Replacement of ESK+ Mechanism

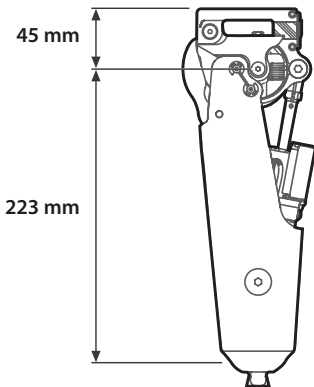
The instructions in this section are for practitioner use only.

<p>1</p>  <p>Offer up side plate to align slot in spindle (2) with dowel (1) but do not fit at this stage.</p>	<p>2</p>  <p>Screw spindle to chassis.</p>	
<p>3</p> <p>Oscillate during assembly</p>  <p>ORIENTATION IS IMPORTANT! Assemble flat sides and lettering (RH, LH) facing inwards.</p>	<p>4</p>  <p>LOCTITE 222</p>	<p>5</p>  <p>STP Oil Treatment</p>
<p>6</p> 	<p>7</p> 	<p>8</p> <p>Re-apply preload with recorded number of clicks.</p> <p>Underside view of chassis.</p>  <p>2.5</p>

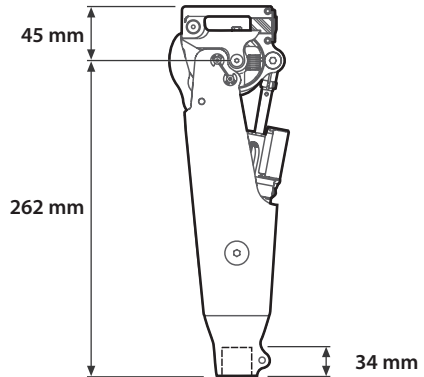
11 Technical Data

Operating and Storage Temperature Range:	-15 °C to 50 °C (5 °F to 122 °F)
Component Weight:	
SmartIP	1.27 kg (2 lb 12.8 ozs)
PSPC	1.13 kg (2 lb 8 ozs)
Activity Level:	2-3 (4)
Maximum User Weight:	
Activity Levels 2-3	125 kg (275 lb)
Activity Level 4	100 kg (220 lb 7.4 ozs)
Maximum Flexion Angle:	140°
Proximal Alignment Attachment:	Single Bolt (Blatchford)
Distal Alignment Attachment:	30 mm Tube Clamp or Male Pyramid (Blatchford)
Build Height:	See Diagrams Below.

Fitting Length



**ESK+ Stanceflex
with Distal Pyramid**



**ESK+ Stanceflex
with 30 mm Distal Tube Clamp**

12 Ordering Information

Order Example

	ESK+ with Stanceflex							
	30 mm Distal Tube Clamp				Distal Pyramid			
Pneumatic Cylinder	ESK	SF	P	30	ESK	SF	P	PYR
	ESK+	Stanceflex	PSPC	Distal Tube Clamp 30 mm	ESK+	Stanceflex	PSPC	Distal Pyramid
SmartIP Knee	SMARTIP	SF	30	SMARTIP	SF	PYR		
	SmartIP Knee	Stanceflex	Distal Tube Clamp 30 mm	SmartIP Knee	Stanceflex	Distal Pyramid		
No Control Cylinder Fitted	ESK	SF	30	ESK	SF	PYR		
	ESK+	Stanceflex	Distal Tube Clamp 30 mm	ESK+	Stanceflex	Distal Pyramid		

Replacement Parts

Item	Part. No.
Stanceflex Knee Assembly	239149
ESK Mechanism Alignment Pin	234914
Front Stop Pad	234903
ESK+ Stabilizing Mechanism Kit	239949
Shin Stop	233810

Stanceflex Rubber

Item	Part. No.
25° Pink (Soft)	231608
35° White	231606
45° Orange (Fitted as Standard)	231607
70° Blue (Hard)	231609

Liability

The manufacturer recommends using the device only under the specified conditions and for the intended purposes. The device must be maintained according to the instructions for use supplied with the device. The manufacturer is not liable for any adverse outcome caused by any component combinations that were not authorized by them.

CE Conformity

This product meets the requirements of the European Regulation EU 2017/745 for medical devices. This product has been classified as a class I device according to the classification rules outlined in Annex VIII of the regulation. The EU declaration of conformity certificate is available at the following internet address: www.blatchford.co.uk



Medical Device



Single Patient – multiple use

Compatibility

Combination with Blatchford branded products is approved based on testing in accordance with relevant standards and the MDR including structural test, dimensional compatibility and monitored field performance.

Combination with alternative CE marked products must be carried out in view of a documented local risk assessment carried out by a Practitioner.

Warranty

This device is warranted for 24 months, the brake band for 12 months.

The user should be aware that changes or modifications not expressly approved could void the warranty, operating licenses and exemptions.

See Blatchford website for the current full warranty statement.

Reporting of Serious Incidents

In the unlikely event of a serious incident occurring in relation to this device it should be reported to the manufacturer and your national competent authority.

Environmental Aspects

This product contains hydraulic oil, mixed metals and plastics. Where possible the components should be recycled in accordance with local waste handling regulations.

Retaining the Packaging Label

The practitioner is advised to keep the packaging label as a record of the device supplied.

Manufacturer's Registered Address

Blatchford Products Limited, Lister Road, Basingstoke RG22 4AH, UK.

Trademark Acknowledgements

Blatchford is a registered trademark of Blatchford Products Limited.

Table des matières	20
1 Description et objectif visé	21
2 Informations de sécurité.....	23
3 Construction	24
4 Fonction.....	25
5 Entretien	25
6 Limites d'utilisation	26
7 Alignement à l'établi	27
8 Conseils sur l'alignement et le réglage de la stabilité	28
9 Conseils de pose	29
9.1 Remplacer le caoutchouc Stanceflex	29
9.2 Réglage de la butée avant - Tourillon réglable.....	30
9.3 Réglages supplémentaires	31
10 Instructions de montage	32
10.1 Changer les tampons de butée avant	32
10.2 Changer les butées de tibia.....	32
10.3 Retirer le mécanisme ESK+	33
10.4 Remplacement du mécanisme ESK+	34
11 Données techniques	35
12 Pour commander.....	36

1 Description et objectif visé

Ces instructions d'utilisation sont destinées à être utilisées par le praticien et l'utilisateur, sauf indication contraire.

Le terme dispositif est utilisé dans ce manuel pour se référer aux produits Stanceflex ESK+.

Veillez lire et vous assurer que vous comprenez toutes les instructions d'utilisation, en particulier les informations de sécurité et les instructions relatives à l'entretien.

Application

Ce dispositif est destiné à être utilisé uniquement comme composant d'une prothèse de membre inférieur.

Ce dispositif est destiné à un utilisateur unique.

Le dispositif est un genou stabilisé uniaxial activé par le poids avec un élément intégré de flexion en phase d'appui. Il est destiné à améliorer la sécurité et à réduire la compensation.

Le tibia peut être équipé d'un PSPC (Contrôle pneumatique de la phase pendulaire) ou SmartIP (Smart Intelligent Prosthesis) ou fourni sans vérin.

Un élément en caoutchouc à l'arrière du châssis du genou permet une flexion supplémentaire en phase d'appui.

Caractéristiques

	Ajustement manuel du PSPC	SmartIP contrôlé par microprocesseur
Flexion en phase d'appui pendant la mise en appui	✓	✓
Un cadre en fibre de carbone robuste	✓	✓
Flexion du genou de 140 degrés	✓	✓
Sensibilité réglable de la stabilité du genou	✓	✓
Contrôles indépendants et manuels de la flexion et de l'extension en phase pendulaire.	✓	
Contrôle de la phase pendulaire par microprocesseur en flexion avec amortissement de l'impact terminal réglable manuellement en extension		✓

Niveau d'activité

Ce dispositif est destiné aux utilisateurs ayant un niveau d'activité 2, 3 ou 4 (des limites de poids s'appliquent, voir *Données techniques*).

Ce dispositif peut ne pas convenir aux utilisateurs ayant un niveau d'activité 1 ou à une utilisation dans le cadre de compétitions sportives. Ces types d'utilisateurs pourraient être mieux servis par une prothèse spécialement conçue et optimisée pour répondre à leurs besoins.

Activité de niveau 1

A la possibilité ou le potentiel d'utiliser une prothèse pour les transferts ou déplacements sur des surfaces planes à une cadence fixe. Caractéristiques du patient limité et illimité.

Activité de niveau 2

A une capacité ou un potentiel de déambulation avec possibilité de gérer des obstacles environnementaux bas tels que les trottoirs, les escaliers ou les surfaces inégales. Caractéristique du patient limité en extérieur.

Activité de niveau 3

A une capacité ou un potentiel de déplacement à cadence variable. Typique du patient en extérieur qui a la capacité de franchir la plupart des barrières environnementales et peut avoir une activité professionnelle, thérapeutique ou physique qui exige l'utilisation de prothèses au-delà de la simple locomotion.

Activité de niveau 4

A une capacité ou un potentiel de déplacement prothétique qui dépasse les capacités de déplacement de base, présentant des niveaux d'impact, de contrainte ou d'énergie élevés. Typique des exigences prothétiques de l'enfant, de l'adulte actif ou du sportif.

Avantages cliniques

- Le contrôle de la phase d'appui activé par le poids et le contrôle réglable de la phase pendulaire permettent une démarche souple et sûre avec un genou libre.
- Stanceflex améliore l'absorption des chocs.
- Le contrôle de la phase pendulaire par microprocesseur permet d'optimiser les caractéristiques de la démarche sur toute une gamme de vitesses de marche. (SmartIP uniquement.)

Contre-indications

Ce dispositif n'est pas adapté dans les cas suivants :

- Les utilisateurs ayant une faiblesse musculaire extrême, des contractures qui ne peuvent être correctement accommodées ou un dysfonctionnement proprioceptif, y compris un mauvais équilibre.
- Les utilisateurs ayant des instabilités ou des pathologies articulaires controlatérales.
- Les utilisateurs souffrant de conditions compliquées impliquant des handicaps multiples.
- Les utilisateurs, y compris les amputés transfémoraux bilatéraux, qui ont besoin d'une capacité souple du genou pour descendre les escaliers ou s'asseoir. Il peut en résulter une détérioration du mécanisme de freinage qui peut nuire à la stabilité et à la durabilité.














Les utilisateurs doivent bénéficier d'un entraînement à la marche avant d'utiliser ce dispositif.



Assurez-vous que l'utilisateur a bien compris toutes les instructions d'utilisation, et de porter une attention particulière aux sections des informations relatives à l'entretien et à la sécurité.

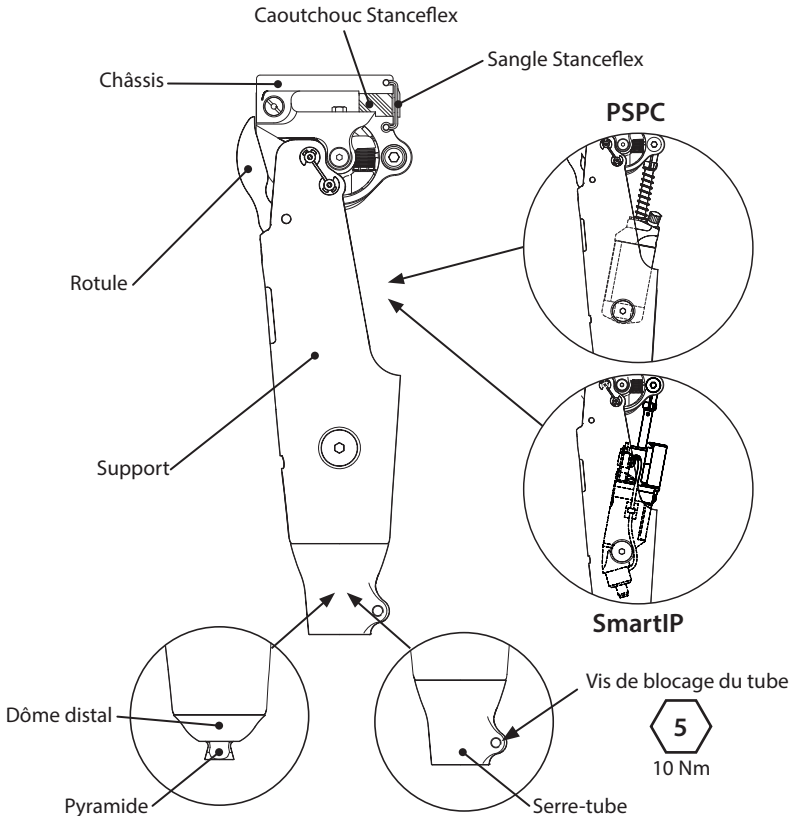
2 Informations de sécurité

-  Ce symbole d'avertissement met en évidence des informations importantes en matière de sécurité.
-  Attention au risque de pincement des doigts.
-  Tout changement dans la performance ou la fonction du membre, par exemple, une instabilité, une double action, un mouvement restreint, un mouvement irrégulier ou des bruits inhabituels, doit être immédiatement signalé à votre prestataire de services.
-  Servez-vous toujours d'une rampe pour descendre les escaliers et à tout autre moment si possible.
-  Toute modification excessive de la hauteur du talon après la fin de l'alignement peut nuire à la fonction du membre.
-  Veillez à ce que seuls les véhicules adaptés soient utilisés pour la conduite. Toutes les personnes sont tenues de respecter leurs lois respectives en matière de conduite de véhicules motorisés.
-  Il convient de faire attention lors du transport de charges lourdes, car la stabilité du dispositif peut en être affectée.
-  Il doit être conseillé au patient de contacter son praticien si son état vient à changer.
-  Évitez l'exposition à la chaleur et/ou au froid extrêmes.
-  Seul un clinicien dûment qualifié peut procéder au montage, à l'entretien et à la réparation du dispositif.
-  Le dispositif n'est pas destiné à être utilisé en immersion dans l'eau ou comme prothèse de douche. Si le membre entre en contact avec de l'eau, essuyez-le immédiatement.

3 Construction

Composants principaux

- Support Fibre de carbone composite et acier inoxydable
- Châssis Alliage d'aluminium, acier inoxydable, thermoplastique technique, matériau de friction renforcé de fibres (sans amiante)
- Dôme distal Alliage d'aluminium
- Pyramide distale Titane avec boulon en acier inoxydable
- Serre-tube distal Alliage d'aluminium
- Rotule Thermoplastique technique
- Caoutchouc Stanceflex Caoutchouc naturel
- Srangle Stanceflex Kevlar
- PSCP Alliage d'aluminium, acier inoxydable, titane, thermoplastique technique.
- Vérin de contrôle SmartIP Alliage d'aluminium, acier inoxydable, titane, thermoplastique technique. Composants électroniques, batteries



4 Fonction

Le genou est une conception uniaxiale comprenant un axe de genou qui relie un châssis à un support. Un mécanisme de stabilisation du genou activé par le poids est logé dans le châssis. Le châssis du genou comporte une plaque supérieure reliée de manière pivotante et supportée de manière élastique par un bloc de caoutchouc, ce qui permet une action de flexion de la phase d'appui sous charge et absorbe les chocs lors de l'attaque du talon.

Un vérin de contrôle du genou se trouve à l'intérieur de ce cadre, entre l'axe postérieur du châssis et l'axe distal du support.

Le vérin PSPC est équipé de valves réglables manuellement qui permettent de contrôler indépendamment la résistance en flexion et en extension pendant la phase pendulaire.

Le vérin de contrôle SmartIP est équipé de capteurs internes qui surveillent la vitesse de marche et il ajuste automatiquement la résistance à la flexion en conséquence. Le contrôle de l'extension se fait par le réglage fixe d'un amortisseur d'impact terminal.

5 Entretien

Vérifiez visuellement le dispositif à intervalles réguliers.

Signalez au praticien/prestataire de services tout changement dans les performances de ce dispositif, par exemple des bruits inhabituels, une raideur accrue ou une rotation restreinte/excessive, une usure importante ou une décoloration excessive due à une exposition prolongée aux UV.

Informez le praticien/prestataire de service de tout changement de poids corporel et/ou de niveau d'activité.

Nettoyage

Utilisez un chiffon humide et du savon doux pour nettoyer les surfaces extérieures. N'UTILISEZ PAS de détergents agressifs.

Les autres instructions de cette section sont destinées à être utilisées par des praticiens.

Cet entretien doit être effectué uniquement par un personnel compétent (praticien ou technicien qualifié).

Pour maintenir des performances optimales, il est recommandé de procéder à une inspection régulière afin de détecter tout bruit, jeu et stabilité inappropriés. Les intervalles entre les inspections sont déterminés par des facteurs tels que l'activité de l'utilisateur, la fréquence d'utilisation et le réglage de la stabilité du genou.

À titre indicatif, si le réglage est de 6 clics ou plus et que l'utilisateur fait en moyenne 600 000 pas par an, il est recommandé de procéder à une inspection annuelle.

Si le réglage de la stabilité est inférieur à 6 clics et/ou si l'utilisateur fait moins de pas que le nombre moyen de pas, les intervalles entre les inspections peuvent être plus longs.

Il est recommandé d'utiliser un moniteur d'activité de membre pour déterminer le nombre de pas.

Nous conseillons d'ajuster le genou aux besoins de stabilité de l'individu pour assurer une stabilité et une durabilité optimales. Voir le guide de réglage/l'organigramme.

Lors de ces inspections :

- Vérifiez la présence de défauts visuels susceptibles d'affecter le bon fonctionnement.
- Vérifiez le jeu M-L du châssis et la compression excessive du caoutchouc Stanceflex. Remplacez les roulements et le caoutchouc Stanceflex si nécessaire.
- Vérifiez la butée avant et remplacez-la si nécessaire.

- Vérifiez les butées de tibia et remplacez-les si nécessaire.
- Démontez, nettoyez et remontez le mécanisme du genou.

Conseillez à l'utilisateur de procéder à un examen visuel régulier du dispositif et de signaler au praticien tout changement dans les performances du dispositif. Les changements de performance peuvent comprendre : une augmentation ou une diminution de la raideur du genou, une instabilité, une réduction de l'appui du genou (liberté de mouvement), tout bruit inhabituel.

Si ce dispositif est utilisé pour une activité extrême, le niveau et l'intervalle d'entretien doivent être revus et, si nécessaire, des conseils et une assistance technique doivent être recherchés pour planifier un nouveau calendrier d'entretien en fonction de la fréquence et de la nature de l'activité. Cela doit être déterminé dans le cadre d'une évaluation locale des risques menée par une personne dûment qualifiée.

Stockage et manipulation

En cas de stockage prolongé, le dispositif doit être conservé au sec et dans une plage de température comprise entre -15 °C et 50 °C.

Utilisez l'emballage du produit fourni.

6 Limites d'utilisation

Durée de vie prévue :

Une évaluation locale des risques doit être effectuée sur la base de l'activité et de l'utilisation.

Soulever des charges

Le poids et l'activité de l'utilisateur sont régis par les limites indiquées.

Le transport de charges par l'utilisateur doit être basé sur une évaluation locale des risques.

Environnement :

Évitez d'exposer le dispositif à des éléments corrosifs tels que l'eau, les acides et d'autres liquides. Évitez également les environnements abrasifs comme ceux contenant du sable par exemple, car ils peuvent favoriser une usure prématurée.

Pour une utilisation exclusivement entre -15 °C et 50 °C



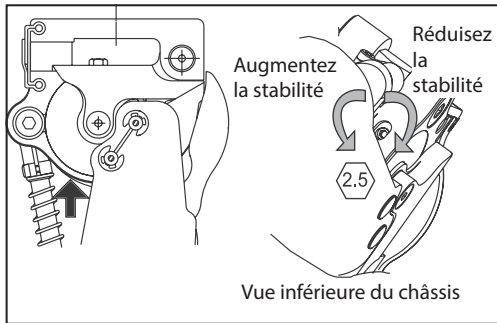
Adapté à un usage en extérieur

7 Alignement à l'établi

Les instructions de cette section sont destinées à être utilisées par des praticiens.

Essais à la marche

Vis de réglage du ressort



Mettez le membre en position d'extension complète pour accéder à la vis de réglage.

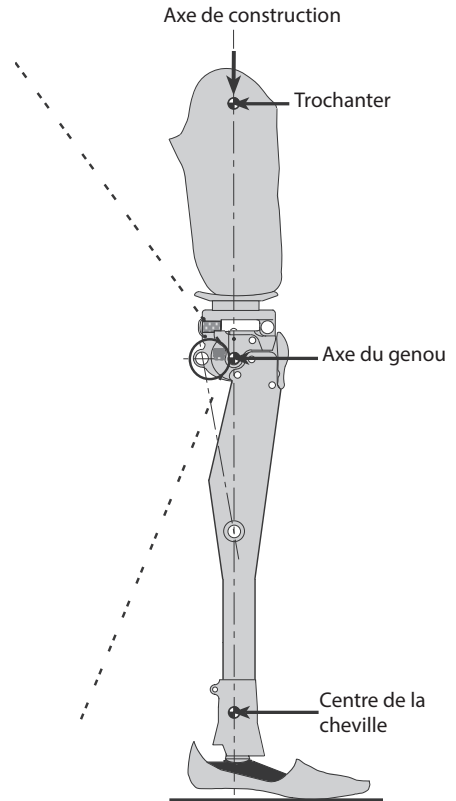
Tournez la VIS DE RÉGLAGE DU RESSORT pour que la personne amputée puisse se maintenir dans une position stable.

Remarque... On doit entendre des clics pendant le réglage et la vis de réglage est auto-freinée.

Serrez la VIS DE RÉGLAGE DU RESSORT pour réduire la stabilité.

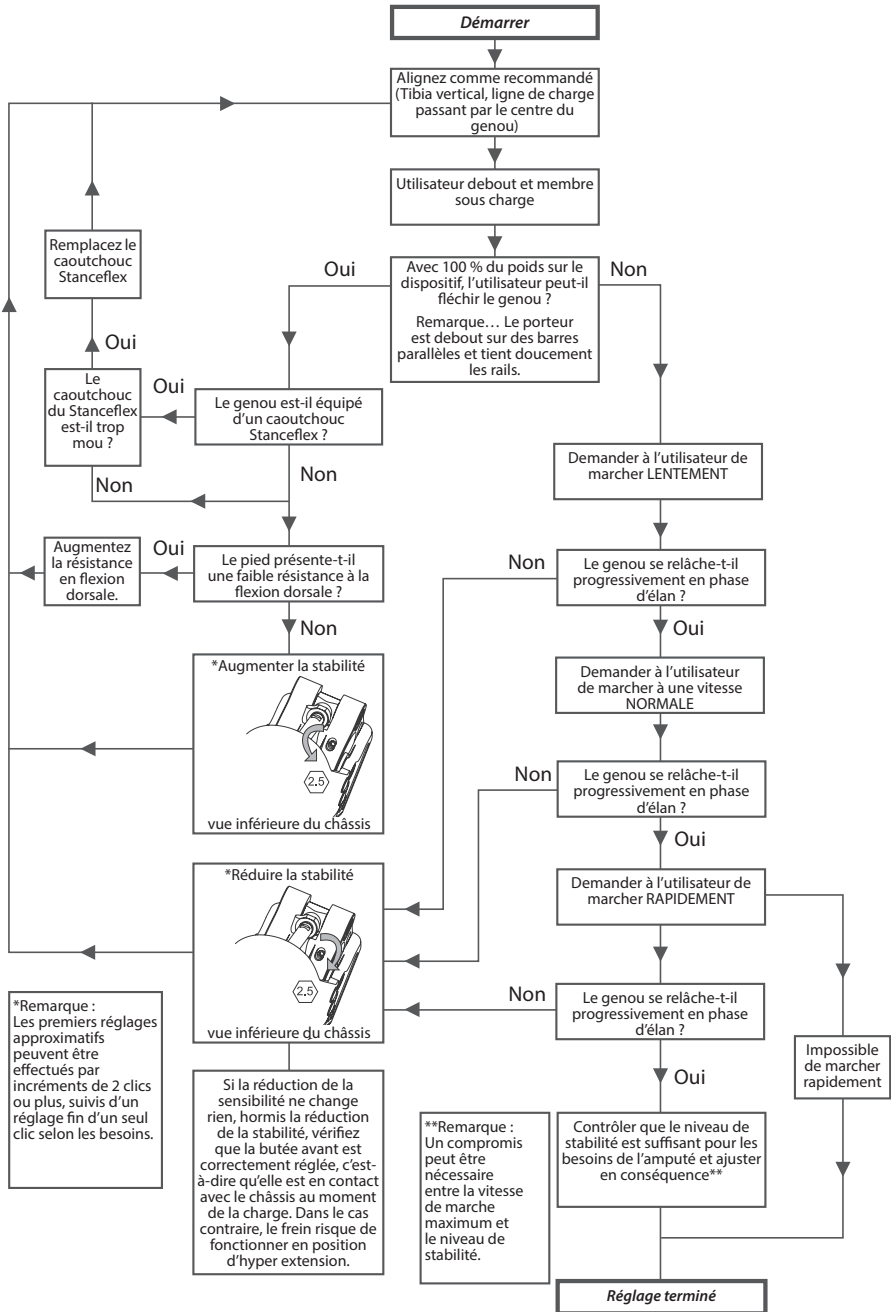
Desserrez la VIS DE RÉGLAGE DU RESSORT pour augmenter la stabilité - voir ci-dessus.

Si nécessaire, la vis de réglage peut être remise au réglage d'usine. Pour ce faire, réduisez la stabilité de six clics à partir du réglage de la stabilité maximale.



8 Conseils sur l'alignement et le réglage de la stabilité

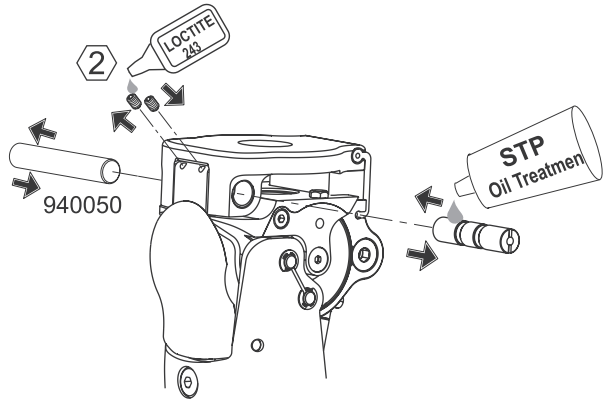
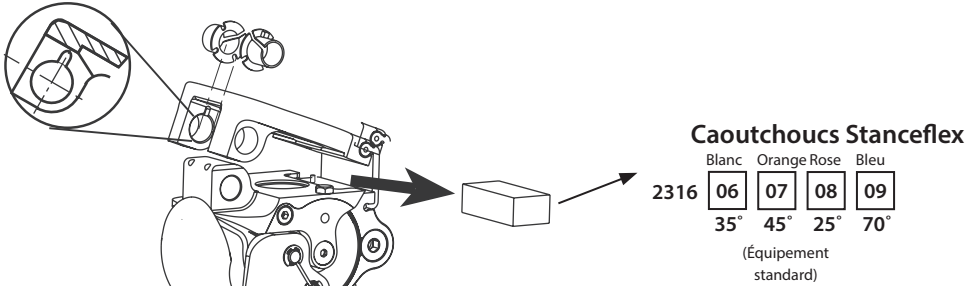
Les instructions de cette section sont destinées à être utilisées par des praticiens.



9 Conseils de pose

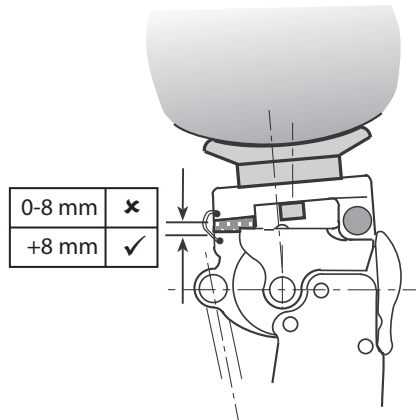
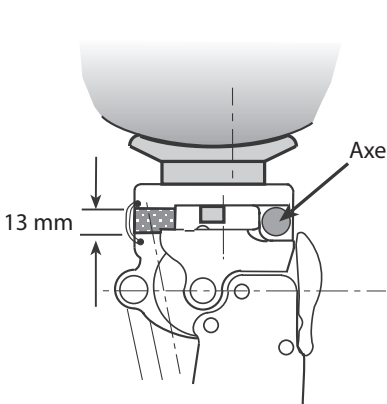
Les instructions de cette section sont destinées à être utilisées par des praticiens.

9.1 Remplacer le caoutchouc Stanceflex



Statique

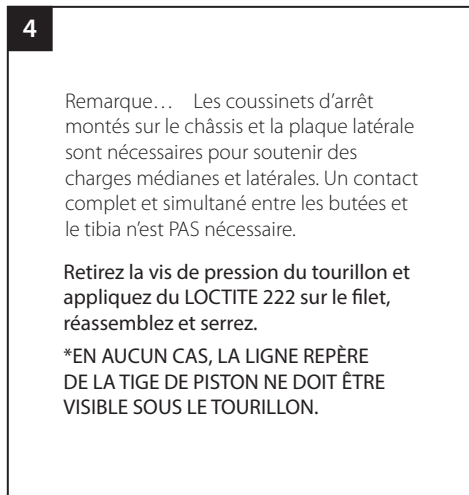
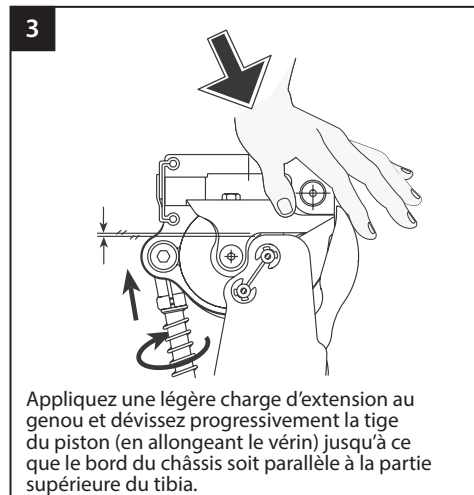
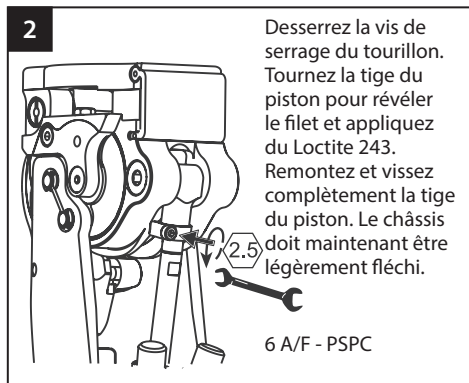
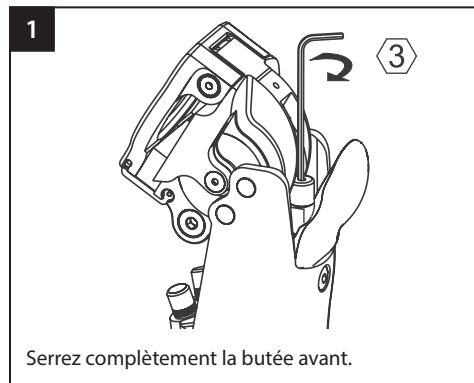
Flexion du genou après attaque du talon



9.2 Réglage de la butée avant - Tourillon réglable

Les instructions de cette section sont destinées à être utilisées par des praticiens.

Montage sur le PSPC



Réglage de la butée avant - Prothèse intelligente non réglable

(Comme sur les anciens modèles SmartIP.)

Aucun réglage n'est nécessaire lors de l'utilisation de ces vérins. Ils nécessitent que la butée avant soit complètement serrée comme indiqué à l'étape 1.

9.3 Réglages supplémentaires

Les instructions de cette section sont destinées à être utilisées par des praticiens.

Symptôme	Solution
Le genou ne se stabilise pas	Augmentez la sensibilité
	Déplacez l'emboîture vers l'avant
	Remplacez le mécanisme de stabilisation si le bord arrière du frein est endommagé
	Vérifiez le caoutchouc Stanceflex et remplacez-le si nécessaire (Voir l'épaisseur minimale en compression dans la section <i>Flexion du genou après l'attaque du talon</i>)
Le genou ne se relâche pas	Réduire la sensibilité
	Vérifiez que le réglage de la longueur de la tige du piston est correct
	Déplacez l'emboîture vers l'arrière
Le talon se soulève trop pendant la phase pendulaire	Voir le mode d'emploi du vérin de contrôle
Le talon ne se soulève pas suffisamment pendant la phase pendulaire	Voir le mode d'emploi du vérin de contrôle
L'utilisateur subit un impact terminal	Voir le mode d'emploi du vérin de contrôle
Le dispositif ne s'étend pas complètement pendant la phase pendulaire	Voir le mode d'emploi du vérin de contrôle

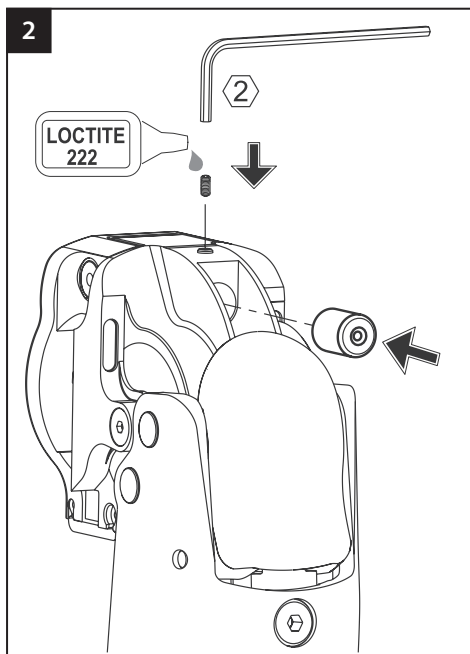
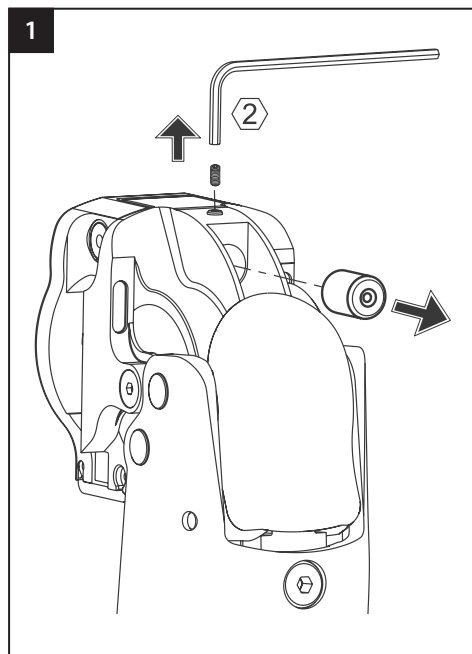
Si, après avoir suivi ces instructions, vous rencontrez toujours des problèmes de fonctionnement, veuillez contacter l'équipe commerciale de votre région pour obtenir des conseils.

10 Instructions de montage

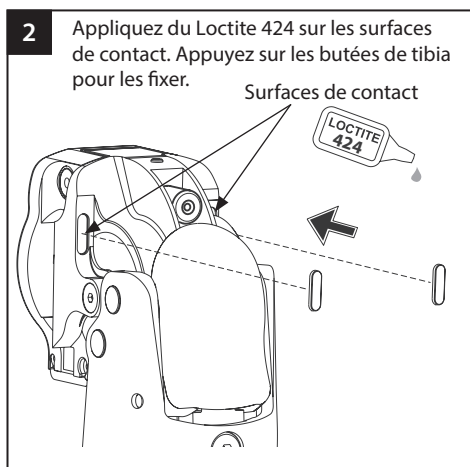
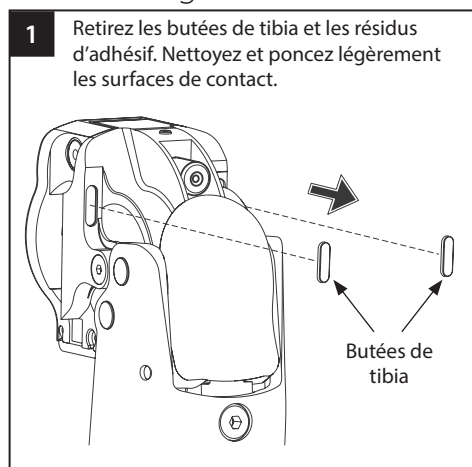
Les instructions de cette section sont destinées à être utilisées par des praticiens.

10.1 Changer les tampons de butée avant

Lors de la pose d'une nouvelle butée avant, réajustez toujours et, le cas échéant, vérifiez la longueur du vérin si celui-ci est équipé d'un tourillon réglable. (Voir la page précédente.)

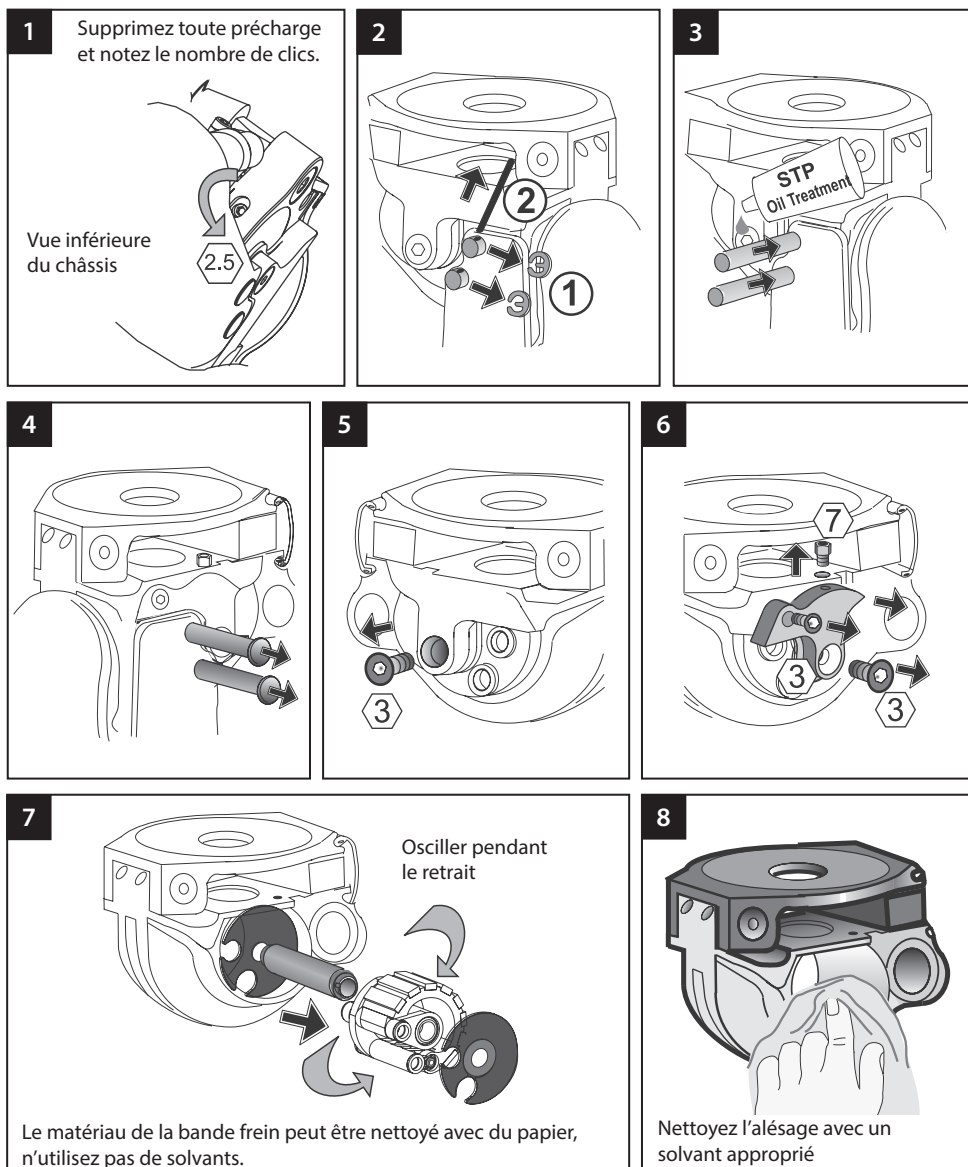


10.2 Changer les butées de tibia



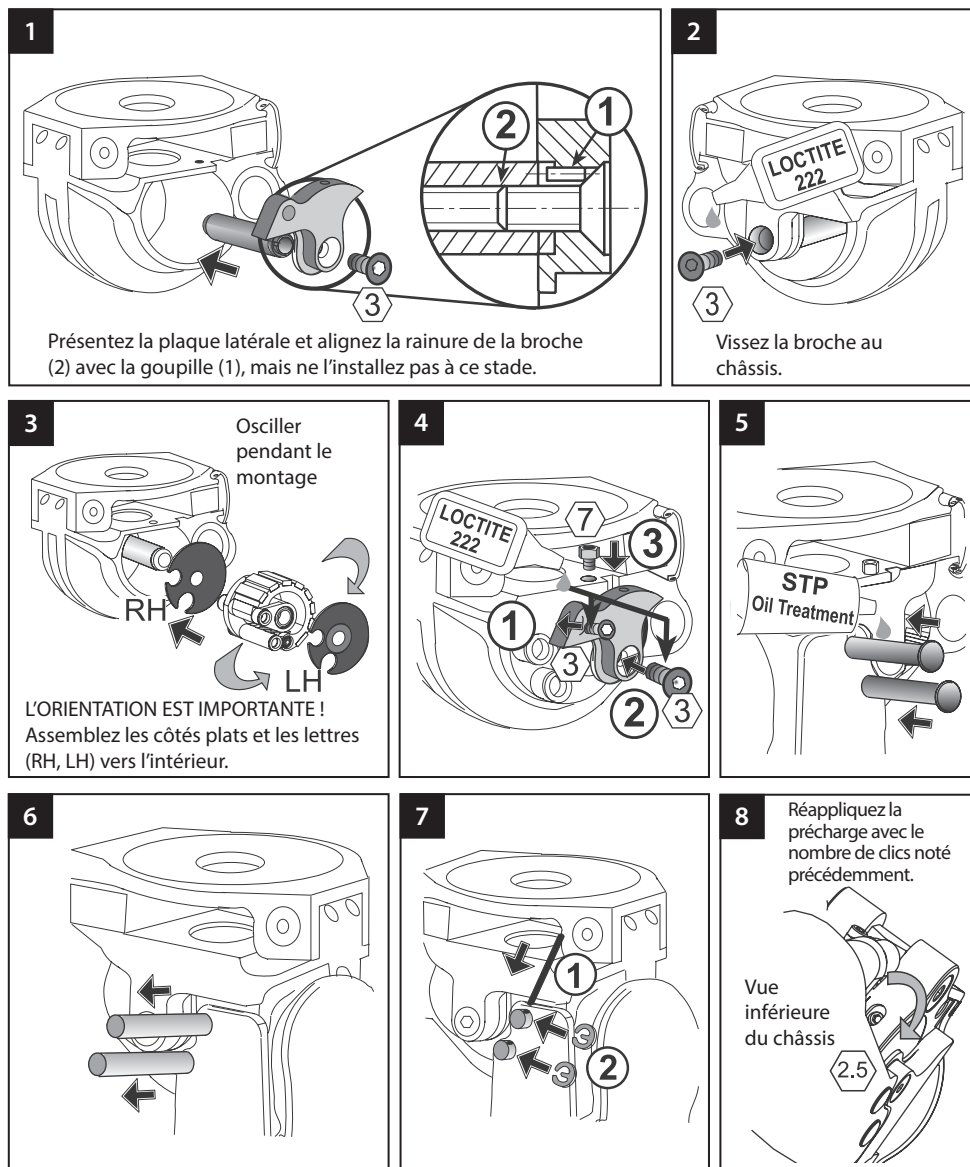
10.3 Retirer le mécanisme ESK+

Les instructions de cette section sont destinées à être utilisées par des praticiens.



10.4 Remplacement du mécanisme ESK+

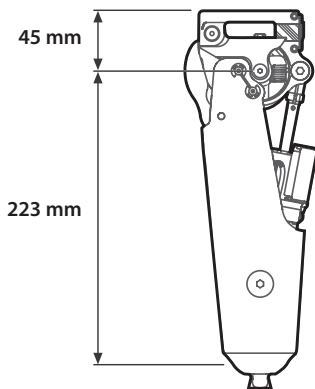
Les instructions de cette section sont destinées à être utilisées par des praticiens.



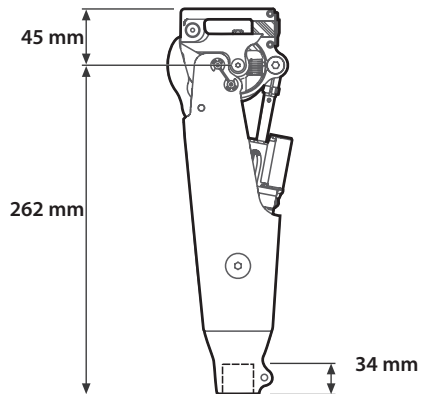
11 Données techniques

Plage de température de fonctionnement et de stockage :	-15 °C à 50 °C
Poids de l'élément :	
SmartIP	1,27 kg
PSPC	1,13 kg
Niveau d'activité :	2 à 3 (4)
Poids maximum de l'utilisateur :	
Niveau d'activité : 2 à 3	125 kg
Activité de niveau 4	100 kg
Angle de flexion maximum :	140°
Attache d'alignement proximale :	Boulon unique (Blatchford)
Attache d'alignement distale :	Serre-tube de 30 mm ou pyramide mâle (Blatchford)
Hauteur de construction :	Voir les schémas ci-dessous.

Encombrement



ESK+ Stanceflex avec pyramide distale



ESK+ Stanceflex avec serre-tube distal de 30 mm

12 Pour commander

Exemple de commande

	ESK+ avec Stanceflex							
	Serre-tube distal de 30 mm				Pyramide distale			
Vérin pneu- matique	ESK	SF	P	30	ESK	SF	P	PYR
	ESK+	Stanceflex	PSPC	Serre-tube distal de 30 mm	ESK+	Stanceflex	PSPC	Pyramide distale
Genou SmartIP	SMARTIP	SF	30	SMARTIP	SF	PYR		
	Genou SmartIP	Stanceflex	Serre-tube distal 30 mm	Genou SmartIP	Stanceflex	Pyramide distale		
Pas de vérin de contrôle installé	ESK	SF	30	ESK	SF	PYR		
	ESK+	Stanceflex	Serre-tube distal de 30 mm	ESK+	Stanceflex	Pyramide distale		

Pièces de rechange

Élément	Réf.
Genou Stanceflex	239149
Tige d'alignement du mécanisme de l'ESK	234914
Coussinet de butée avant	234903
Kit de mécanisme de stabilisation ESK+	239949
Butée de tibia	233810

Caoutchouc Stanceflex

Élément	Réf.
25° Rose (Mou)	231608
35° Blanc	231606
45° Orange (Équipement standard)	231607
70° Bleu (Dur)	231609

Responsabilité

Le fabricant recommande d'utiliser le dispositif uniquement dans les conditions spécifiées et pour les usages prévus. Le dispositif doit être entretenu conformément au mode d'emploi fourni avec ce dernier. Le fabricant n'est pas responsable des conséquences négatives causées par des combinaisons de composants qu'il n'a pas lui-même autorisées.

Conformité CE

Ce produit répond aux exigences du règlement européen UE 2017/745 relatif aux dispositifs médicaux. Ce produit a été classé comme dispositif de classe I selon les règles de classification énoncés à l'Annexe VIII de la réglementation. Le certificat de déclaration de conformité de l'UE est disponible à l'adresse internet suivante : www.blatchford.co.uk



Dispositif médical



Patient unique - usage multiple

Compatibilité

La combinaison avec des produits de la marque Blatchford est approuvée sur la base d'essais conformes aux normes pertinentes et au règlement relatif aux dispositifs médicaux (RDM), y compris les essais structurels, la compatibilité dimensionnelle et le contrôle des performances sur le terrain.

La combinaison avec d'autres produits marqués CE doit être effectuée en vue d'une évaluation locale des risques documentée, effectuée par un praticien.

Garantie

Ce dispositif est garanti 24 mois, la bande frein est garantie 12 mois.

L'utilisateur doit savoir que des changements ou des modifications non expressément approuvés peuvent annuler la garantie, les licences d'exploitation et les exemptions.

Consultez le site web de Blatchford pour obtenir la déclaration de garantie complète actuelle.

Signalement des incidents graves

Dans le cas peu probable où un incident grave surviendrait en rapport avec ce dispositif, il doit être signalé au fabricant et à votre autorité nationale compétente.

Aspects environnementaux

Ce produit contient de l'huile hydraulique, des métaux et des plastiques mélangés. Dans la mesure du possible, les composants doivent être recyclés conformément aux réglementations locales en matière de traitement des déchets.

Conserver l'étiquette de l'emballage

Il est conseillé au praticien de conserver l'étiquette de l'emballage comme trace du dispositif fourni.

Siège social du fabricant

Blatchford Products Limited, Lister Road, Basingstoke RG22 4AH, Royaume-Uni

Reconnaissance des marques

Blatchford est une marque déposée de Blatchford Products Limited.

Inhalt.....	38
1 Beschreibung und Verwendungszweck	39
2 Sicherheitsinformationen	41
3 Aufbau.....	42
4 Funktion.....	43
5 Wartung.....	43
6 Verwendungseinschränkungen.....	44
7 Grundaufbau.....	45
8 Ratschläge für Ausrichtung und Stabilitätsanpassung	46
9 Ratschläge für die Anpassung	47
9.1 Ersetzen des Stanceflex-Gummis	47
9.2 Anpassung des vorderen Stopps – anpassbarer Zapfen	48
9.3 Weitere Anpassungen	49
10 Montageanweisungen	50
10.1 Austauschen des Puffers am vorderen Stopp.....	50
10.2 Austauschen der Schienbein-Stopps.....	50
10.3 Entfernen des ESK+ Mechanismus	51
10.4 Austausch des ESK+ Mechanismus	52
11 Technische Daten.....	53
12 Bestellinformationen	54

1 Beschreibung und Verwendungszweck

Diese Gebrauchsanweisung ist für die Verwendung durch Fachpersonal und Anwender konzipiert, außer anderweitig angegeben.

Der Begriff „Produkt“ wird in dieser Gebrauchsanweisung durchgängig verwendet und bezieht sich auf Stanceflex ESK+ Produkte.

Stellen Sie bitte sicher, dass Sie die gesamte Gebrauchsanweisung gelesen und verstanden haben, insbesondere jegliche Anweisungen zu Sicherheit und Wartung.

Anwendung

Dieses Produkt ist ausschließlich als Teil einer Prothese der unteren Extremität vorgesehen.

Das Produkt ist für einen einzelnen Anwender vorgesehen.

Das Produkt ist ein uniaxiales, gewichtsaktiviertes, stabilisiertes Knie mit integriertem Flexionselement für die Standphase und dient dazu, die Sicherheit zu erhöhen und Kompensation zu verringern.

Das Schienbein kann mit PSPC (pneumatische Schwungphasenkontrolle) oder SmartIP (smarte intelligente Prothese) Schwungphasenkontrolle oder ohne Zylinder ausgeliefert werden.

Ein Gummielement an der Rückseite der Knie-Chassis sorgt für zusätzliche Standphasenflexion.

Eigenschaften

	Manuell eingestellte PSPC	Mikroprozessor-gesteuerte SmartIP
Standphasenflexion bei Gewichtsbelastung	✓	✓
Widerstandsfähiger Rahmen aus Karbonfaser	✓	✓
140 Grad Knieflexion	✓	✓
Einstellbare Empfindlichkeit der Kniestabilität	✓	✓
Unabhängige, manuell einstellbare Schwungphasenkontrollen für Flexion und Extension	✓	
Mikroprozessor-gesteuerte Schwungphasenkontrolle in Flexion mit manuell einstellbarer Dämpfung beim Auftreten in Extension		✓

Mobilitätsklasse

Dieses Produkt eignet sich für die Mobilitätsklassen 2, 3 und 4 (es gelten Gewichtsbeschränkungen, siehe *Technische Daten*).

Dieses Produkt eignet sich möglicherweise nicht für Anwender der Mobilitätsklasse 1 oder für Leistungssportveranstaltungen. Für diese Anwender ist möglicherweise eine speziell gestaltete und optimal an ihre Anforderungen angepasste Prothese besser geeignet.

Mobilitätsklasse 1

Hat die Fähigkeit oder das Potenzial, eine Prothese bei Transfers oder beim Gehen auf ebenem Untergrund bei fester Schrittfrequenz zu nutzen. Typisch für Personen mit begrenzter und unbegrenzter Mobilität.

Mobilitätsklasse 2

Hat die Fähigkeit oder das Potenzial für Mobilität mit der Möglichkeit, niedrige Hindernisse in der Umwelt zu überwinden, beispielsweise Bordsteinkanten, Treppen oder unebenen Untergrund. Typisch für Personen mit begrenzter Mobilität in der Gesellschaft.

Mobilitätsklasse 3

Hat die Fähigkeit oder das Potenzial, Mobilität mit variabler Schrittfrequenz zu erreichen. Typisch für allgemein mobile Personen mit der Fähigkeit, die meisten Hindernisse in der Umgebung zu überwinden, und mit beruflicher, therapeutischer oder sportlicher Betätigung, die eine Nutzung der Prothese über einfache Fortbewegung hinaus erfordert.

Mobilitätsklasse 4

Mit der Möglichkeit oder dem Potenzial für prothetische Mobilisierung, die über grundlegende Mobilisierung hinausgeht und starke Stöße, hohe Belastungen oder hohe Energieeinwirkung umfasst. Typisch für die prothetischen Anforderungen von Kindern, aktiven Erwachsenen oder Sportlern.

Klinischer Nutzen

- Die gewichtsaktivierte Standphasenkontrolle und einstellbare Schwungkontrolle bieten einen reibungslosen, sicheren Gang mit freiem Knie.
- Stanceflex verbessert die Stoßabsorption.
- Die Schwungphasenkontrolle mit Mikroprozessor ermöglicht optimierte Gangcharakteristika bei verschiedenen Gehgeschwindigkeiten. (Nur bei SmartIP.)

Gegenanzeigen

Das Produkt eignet sich nicht für:

- Anwender mit extremer Muskelschwäche, Kontrakturen, die nicht korrekt versorgt werden können, oder propriozeptiver Dysfunktion einschließlich schlechtem Gleichgewichtssinn.
- Anwender mit kontralateralen Gelenkinstabilitäten oder -erkrankungen.
- Anwender mit komplizierten Leiden mit mehreren Behinderungen.
- Anwender, einschließlich Personen mit bilateraler, transfemorale Amputation, die für das Treppabgehen oder Sitzen eine Yielding-Funktion des Knies benötigen. Dies kann zu Schäden des Bremsmechanismus führen, was sich wiederum negativ auf Stabilität und Langlebigkeit auswirken kann.



Anwender müssen vor Verwendung dieses Produkts eine Gangschulung erhalten.



Stellen Sie sicher, dass der Anwender die gesamte Gebrauchsanweisung verstanden hat, und beachten Sie insbesondere die Abschnitte mit Wartungs- und Sicherheitsinformationen.

2 Sicherheitsinformationen



Das Warnsymbol hebt wichtige Sicherheitsinformationen hervor.



Bitte beachten Sie jederzeit, dass Finger leicht eingeklemmt werden können.



Sämtliche Veränderungen in der Leistung der Prothese, wie z. B. Instabilität, doppelte Wirkung, eingeschränkte oder ungleichmäßige Bewegung oder ungewöhnliche Geräusche, sollten Sie sofort Ihrem Dienstleister mitteilen.



Benutzen Sie beim Treppabgehen oder in ähnlichen Situationen immer ein Geländer (falls vorhanden).



Jegliche übermäßige Veränderungen der Fersenhöhe nach Fertigstellung der Ausrichtung können sich negativ auf die Funktion der Prothese auswirken.



Beim Autofahren dürfen nur entsprechend umgebaute Fahrzeuge verwendet werden. Alle Personen müssen beim Führen von Kraftfahrzeugen die jeweils geltenden Verkehrsvorschriften befolgen.



Beim Tragen schwerer Lasten ist Vorsicht geboten, da sie die Stabilität des Produkts negativ beeinflussen können.



Der Anwender sollte sein Fachpersonal kontaktieren, wenn sich sein Zustand verändert.



Vermeiden Sie jede Aussetzung gegenüber extremer Wärme und/oder Kälte.



Montage, Wartung und Reparatur des Produkts dürfen nur von ausreichend qualifiziertem Fachpersonal ausgeführt werden.

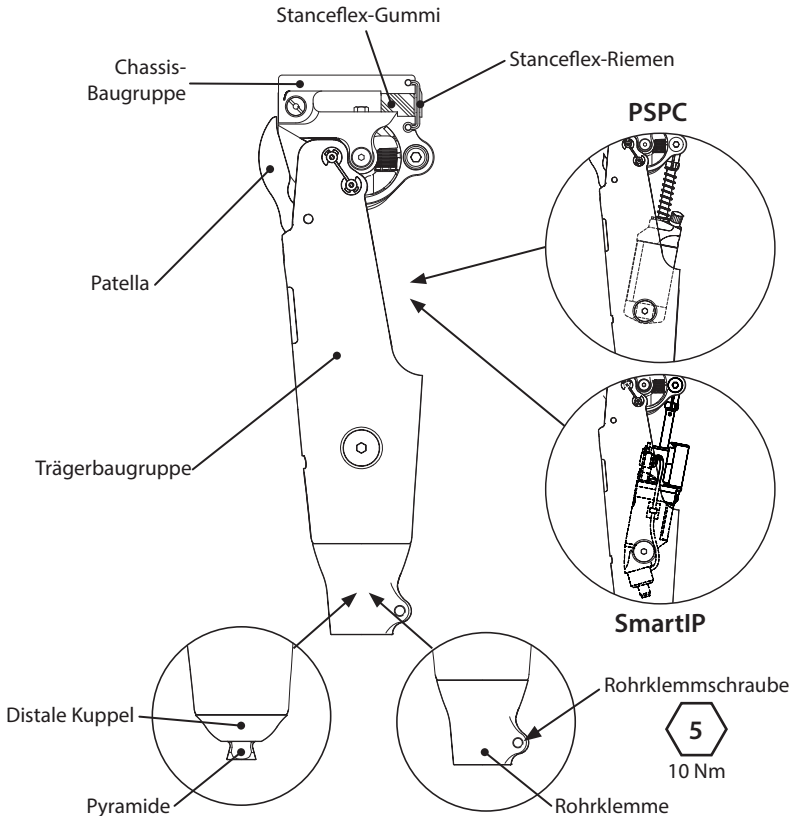


Das Produkt darf nicht im Wasser oder beim Duschen genutzt werden. Wenn die Extremität mit Wasser in Berührung kommt, sollte sie umgehend trocken gewischt werden.

3 Aufbau

Hauptteile

- Trägerbaugruppe Karbonfaserverbundmaterial und Edelstahl
- Chassis-Baugruppe Aluminiumlegierung, Edelstahl, technisches Thermoplast, faserverstärktes (asbestfreies) Reibungsmaterial
- Distale Kuppel Aluminiumlegierung
- Distale Pyramide Titan mit Edelstahlbolzen
- Distale Rohrklemme Aluminiumlegierung
- Patella Technisches Thermoplast
- Stanceflex-Gummi Naturkautschuk
- Stanceflex-Riemen Kevlar
- PSPC
- SmartIP Steuerzylinder Aluminiumlegierung, Edelstahl, Titan, technisches Thermoplast
Elektronische Komponenten, Batterien



4 Funktion

Das Knie ist eine uniaxiale Konstruktion mit einem Knie-Drehpunkt, der ein Chassis mit einem Träger verbindet. Innerhalb der Chassis befindet sich ein gewichtsaktivierter, stabilisierender Kniemechanismus. Die Knie-Chassis verfügt über eine drehbar verbundene Platte an der Oberseite, die resilient von einem Gummiblock gestützt wird. Dies sorgt für Standphasenflexion unter Belastung und absorbiert Stoßbelastungen beim Auftreffen der Ferse.

In der Rahmenbaugruppe befindet sich ein Knie-Steuerzylinder zwischen dem posterioren Drehpunkt des Chassis und dem distalen Drehpunkt des Trägers.

Der PSPC-Zylinder verfügt über manuell einstellbare Ventile für unabhängige Kontrolle des Flexions- und Extensionswiderstands während der Schwungphase.

Der SmartIP Steuerzylinder überwacht die Gehgeschwindigkeit mit Sensoren innerhalb des Zylinders und passt den Flexionswiderstand automatisch an. Die Extensionskontrolle erfolgt über die feste Anpassung einer Dämpfung beim Auftreffen.

5 Wartung

Führen Sie regelmäßig eine Sichtprüfung des Produkts durch.

Teilen Sie jegliche Veränderungen der Leistung dieses Produkts der Fachkraft bzw. dem Dienstleister mit, z. B. ungewöhnliche Geräusche, erhöhte Steifigkeit oder eingeschränkte/übermäßige Rotation, starken Verschleiß oder deutliche Verfärbungen durch lange Einwirkung von UV-Strahlung.

Informieren Sie die Fachkraft oder den Dienstleister über Veränderungen des Körpergewichts und/oder Aktivitätsniveaus.

Reinigung

Reinigen Sie die äußeren Oberflächen mit einem feuchten Tuch und milder Seife. Verwenden Sie KEINE aggressiven Reiniger.

Die übrigen Anweisungen in diesem Abschnitt richten sich ausschließlich an Fachpersonal.

Diese Wartung darf nur von kompetenten Personen (Techniker oder ausreichend geschultes Fachpersonal) durchgeführt werden.

Zum Erhalt einer optimalen Leistung wird die regelmäßige Inspektion auf ungewöhnliche Geräusche, Spiel und Stabilität empfohlen. Der Zeitraum zwischen Inspektionen hängt von Faktoren wie der Aktivität des Anwenders, der Nutzungshäufigkeit und der Stabilitätseinstellung des Knies ab.

Zur Orientierung: Liegt die Einstellung bei mindestens 6 Klicks und kommt der Anwender auf durchschnittlich 600.000 Schritte pro Jahr, wird eine jährliche Inspektion empfohlen.

Beträgt die Stabilitätseinstellung weniger als 6 Klicks und/oder der Anwender erreicht einen geringeren Durchschnitt als die durchschnittliche Schrittzahl, kann der Zeitraum zwischen Inspektionen länger sein.

Es wird ein Prothesen-Aktivitätsmonitor zur Bestimmung der Schrittzahl empfohlen.

Wir empfehlen, das Knie entsprechend den Stabilitätsanforderungen des Anwenders einzustellen, sodass optimale Stabilität und Langlebigkeit gewährleistet sind. Siehe Leitfaden/Flussdiagramm für die Anpassung.

Bei diesen Inspektionen Folgendes durchführen:

- Prüfen Sie das Produkt auf sichtbare Defekte, die die korrekte Funktion beeinträchtigen könnten.
- Prüfen Sie das M-L-Spiel der Chassis und auf übermäßige Kompression des Stanceflex-Gummis. Ersetzen Sie die Lager und den Stanceflex-Gummi bei Bedarf.
- Prüfen Sie den vorderen Stopp und ersetzen ihn bei Bedarf.
- Prüfen Sie den Schienbein-Stopp und ersetzen ihn bei Bedarf.
- Zerlegen und reinigen Sie den Kniemechanismus und bauen ihn erneut zusammen.

Weisen Sie den Anwender darauf hin, dass eine regelmäßige Sichtprüfung des Produktes empfohlen wird und dass jegliche Leistungsveränderungen des Produkts dem Dienstleister mitgeteilt werden müssen. Leistungsveränderungen können umfassen: Zu- oder Abnahme der KniestEIFigkeit, Instabilität, verringerte Knie-Unterstützung (freie Bewegung), ungewöhnliche Geräusche.

Wenn dieses Produkt für extreme Aktivitäten verwendet wird, müssen das Wartungsniveau und -intervall geprüft und bei Bedarf technische Unterstützung und Beratung eingeholt werden, damit ein neuer Wartungsplan entsprechend der Häufigkeit und Art der Aktivitäten erstellt werden kann. Dies sollte anhand einer lokalen Risikobeurteilung erfolgen, die von einer qualifizierten Person durchgeführt wird.

Aufbewahrung und Handhabung

Bei der Aufbewahrung über längere Zeiträume muss das Produkt trocken und bei einer Temperatur zwischen -15 °C und 50 °C gelagert werden.

Verwenden Sie die mitgelieferte Produktverpackung.

6 Verwendungseinschränkungen

Vorgesehene Lebensdauer:

Es sollte eine lokale Risikobeurteilung basierend auf Mobilität und Nutzung durchgeführt werden.

Heben von Lasten

Das Gewicht und die Mobilität des Anwenders werden von den angegebenen Grenzwerten bestimmt.

In einer lokalen Risikobewertung sollte ermittelt werden, wie viel Last der Anwender tragen kann.

Umwelt:

Vermeiden Sie den Kontakt des Produkts mit korrosiven Stoffen wie Wasser, Säuren und anderen Flüssigkeiten. Vermeiden Sie außerdem abrasive Umgebungen wie beispielsweise Sand, da dies zu vorzeitigem Verschleiß führen kann.

Das Produkt ist nur für die Nutzung bei Temperaturen zwischen -15 °C und 50 °C vorgesehen.



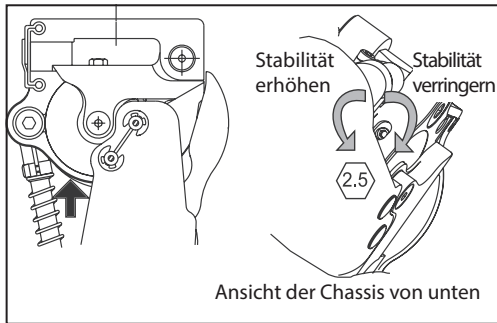
Für den Außenbereich geeignet

7 Grundaufbau

Die Anweisungen in diesem Abschnitt richten sich ausschließlich an Fachpersonal.

Laufversuche

Einstellung für Federsäule



Bringen Sie die Prothese in vollständige Extension, um auf die Anpassung zuzugreifen.

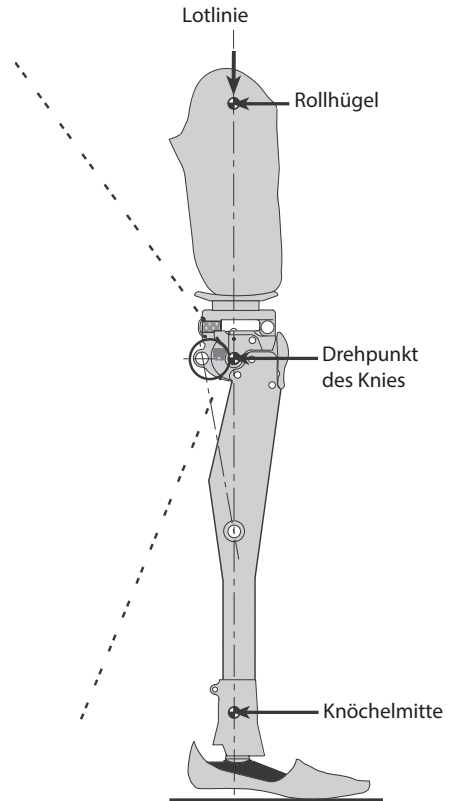
Drehen Sie die ANPASSUNG DER FEDERSÄULE, um die gewünschte Stabilität für den individuellen Anwender zu erreichen.

Hinweis... Bei der Anpassung sind deutliche Klickgeräusche zu hören, und die Anpassung ist selbstarretierend.

Ziehen Sie die FEDERSÄULE an, um die Stabilität zu reduzieren.

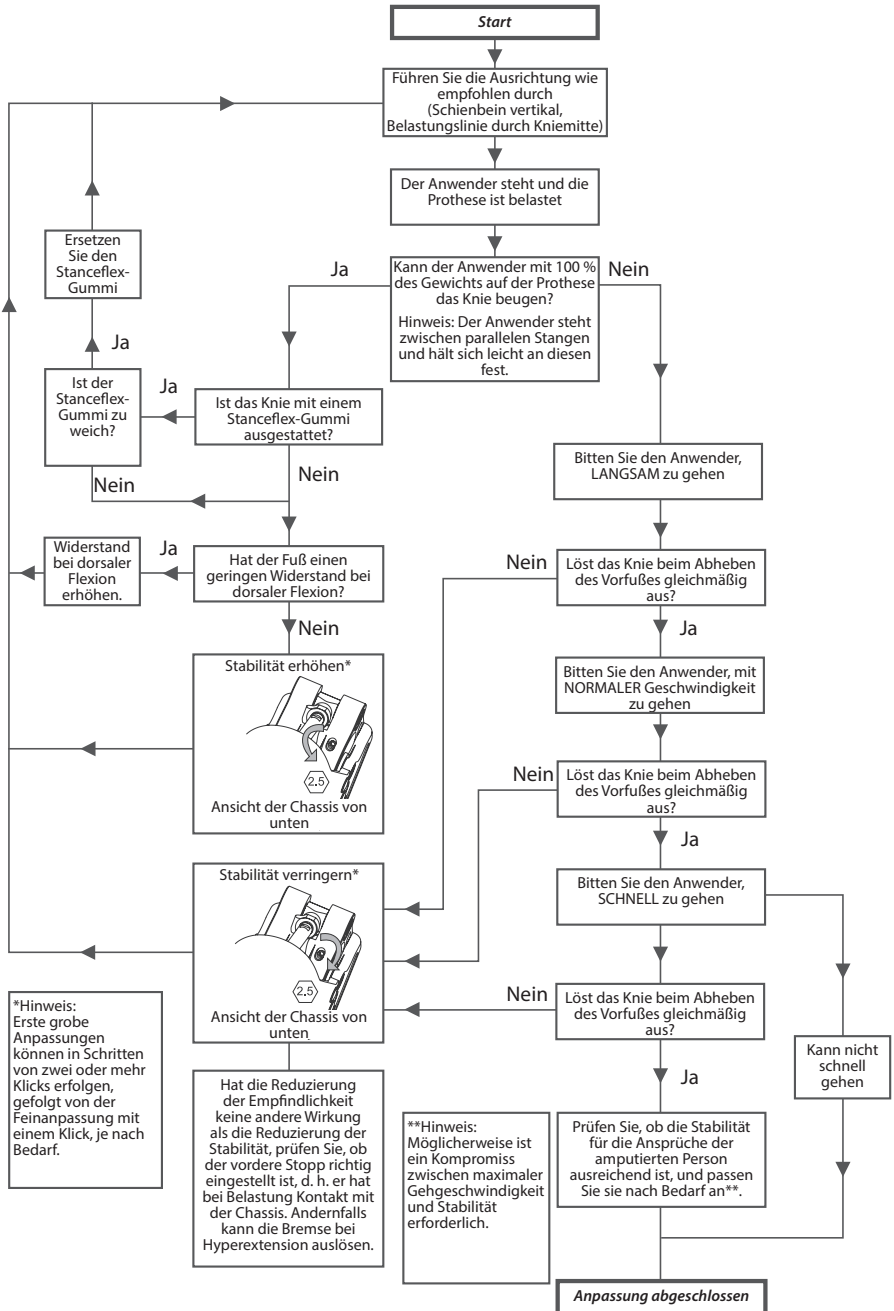
Lösen Sie die FEDERSÄULE, um die Stabilität zu erhöhen – siehe oben.

Bei Bedarf kann die Anpassung auf die Werkseinstellung zurückgesetzt werden. Dies ist möglich, indem die Stabilität um sechs hörbare Klicks ab der maximalen Stabilitätseinstellung reduziert wird.



8 Ratschläge für Ausrichtung und Stabilitätsanpassung

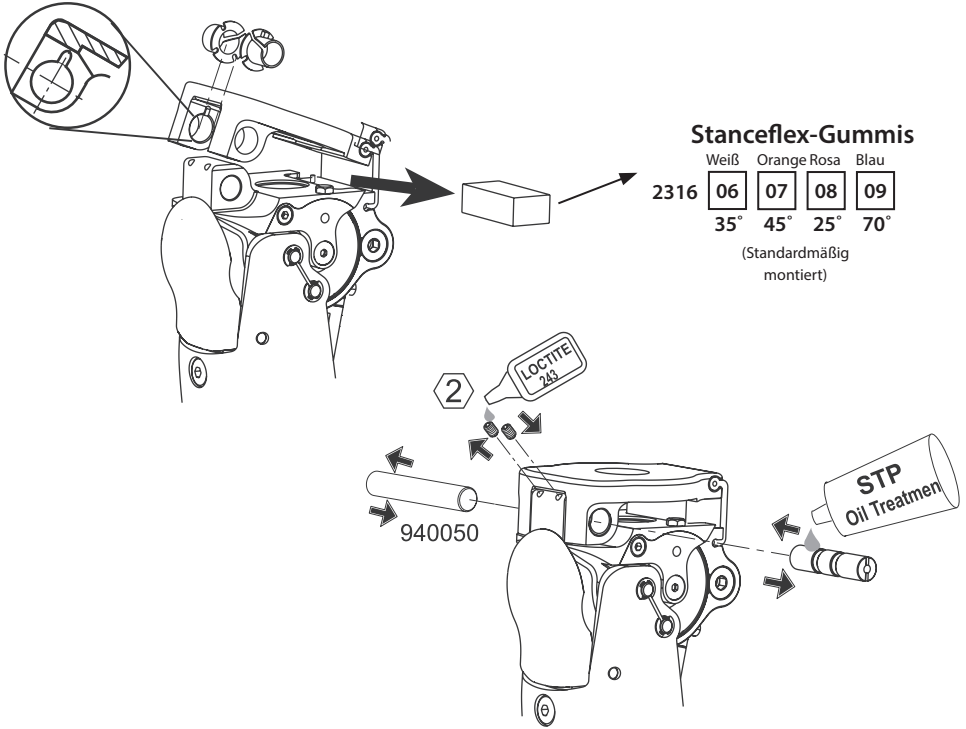
Die Anweisungen in diesem Abschnitt richten sich ausschließlich an Fachpersonal.



9 Ratschläge für die Anpassung

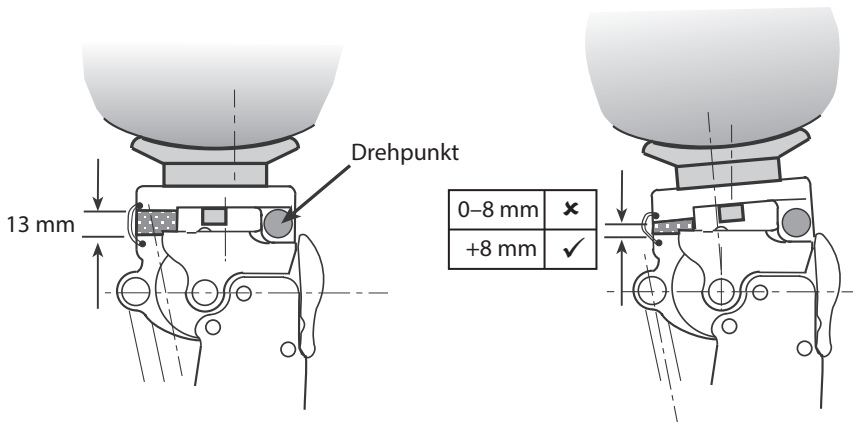
Die Anweisungen in diesem Abschnitt richten sich ausschließlich an Fachpersonal.

9.1 Ersetzen des Stanceflex-Gummis



Statisch

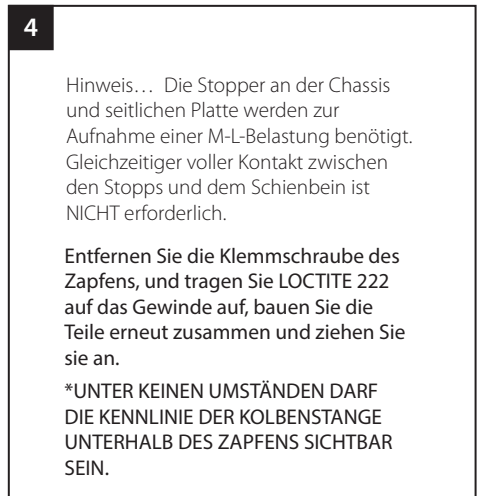
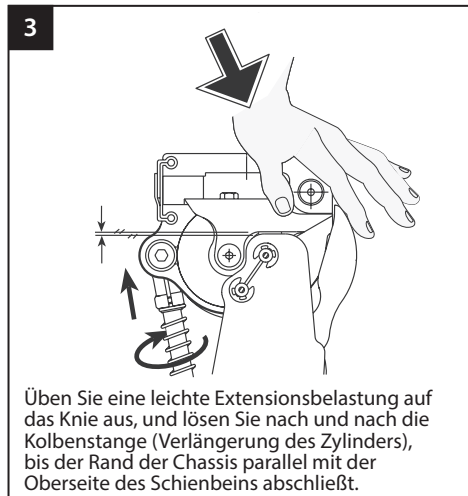
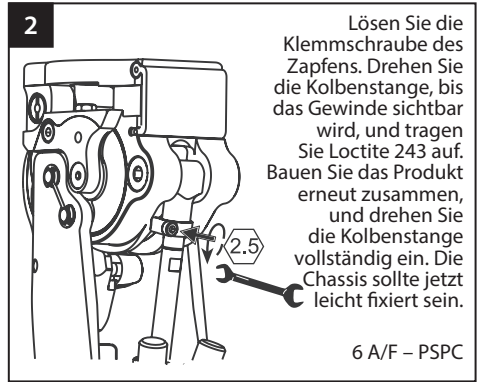
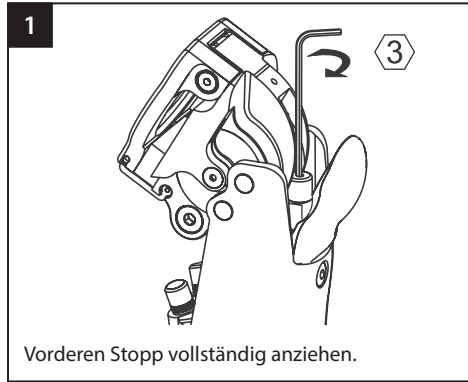
Knieflexion nach Auftreffen der Ferse



9.2 Anpassung des vorderen Stopps – anpassbarer Zapfen

Die Anweisungen in diesem Abschnitt richten sich ausschließlich an Fachpersonal.

An der PSPC montiert



Anpassung des vorderen Stopps – nicht anpassbare, intelligente Prothese

(wie bei älteren SmartIP-Modellen.)

Bei Verwendung dieser Zylinder ist keine Anpassung notwendig. Bei ihnen muss der vordere Stopp vollständig angezogen werden, wie gezeigt in Phase 1.

9.3 Weitere Anpassungen

Die Anweisungen in diesem Abschnitt richten sich ausschließlich an Fachpersonal.

Symptom	Lösung
Knie stabilisiert sich nicht	Empfindlichkeit erhöhen
	Schaft nach anterior verlagern
	Den Stabilisierungsmechanismus ersetzen, falls die Hinterkante der Bremse beschädigt ist
	Den Stanceflex-Gummi prüfen und bei Bedarf ersetzen (Siehe Mindeststärke bei Kompression im Abschnitt <i>Knieflexion nach Auftreffen der Ferse</i>)
Knie löst sich nicht	Empfindlichkeit verringern
	Prüfen Sie die korrekte Anpassung der Kolbenstangenlänge
	Schaft nach posterior verlagern
Fersenhebung während des Schwungs zu hoch	Siehe Gebrauchsanweisung für Steuerzylinder
Fersenhebung während des Schwungs zu niedrig	Siehe Gebrauchsanweisung für Steuerzylinder
Anwender spürt Stoß beim Auftreffen	Siehe Gebrauchsanweisung für Steuerzylinder
Produkt führt während des Schwungs keine vollständige Extension durch	Siehe Gebrauchsanweisung für Steuerzylinder

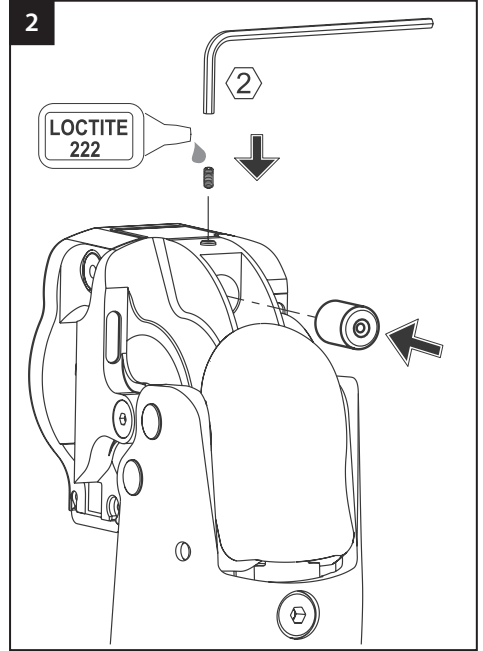
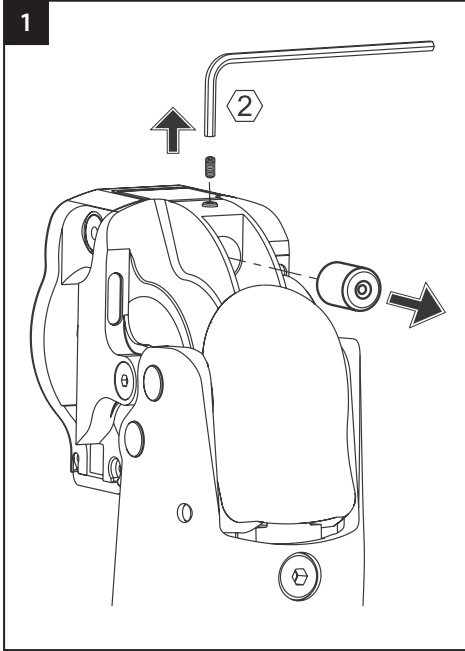
Falls nach Befolgen dieser Anweisungen weiterhin Probleme mit der Funktion auftreten, wenden Sie sich für weitere Ratschläge bitte an das Vertriebsteam in Ihrer Region.

10 Montageanweisungen

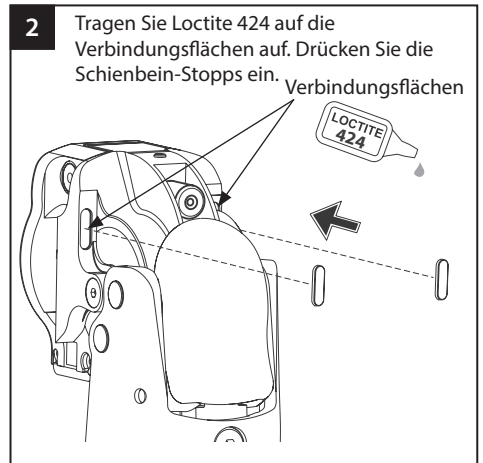
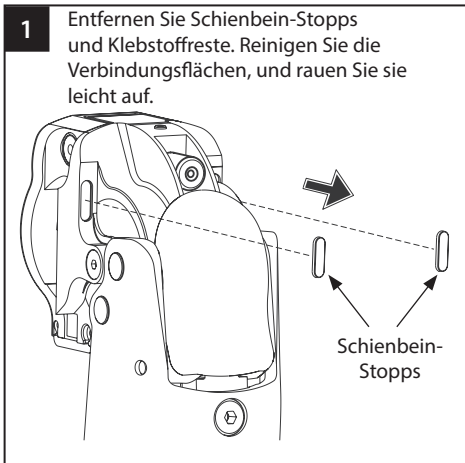
Die Anweisungen in diesem Abschnitt richten sich ausschließlich an Fachpersonal.

10.1 Austauschen des Puffers am vorderen Stopp

Bei der Montage eines neuen vorderen Stopps passen Sie diesen immer neu an, und prüfen Sie gegebenenfalls die Zylinderlänge, falls dieser mit einem anpassbaren Zapfen ausgestattet ist. (Siehe vorherige Seite.)

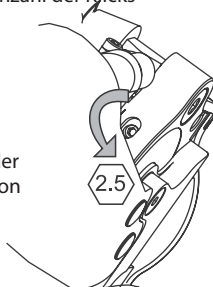
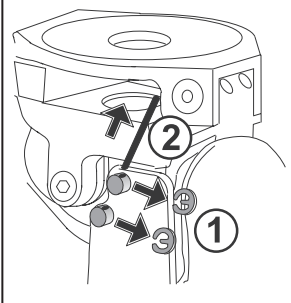
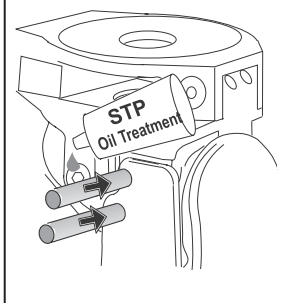
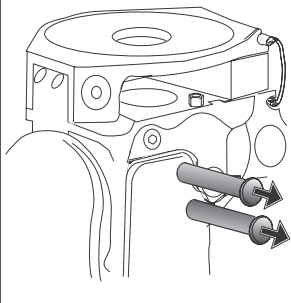
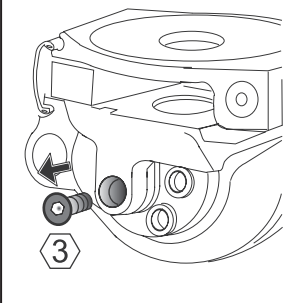
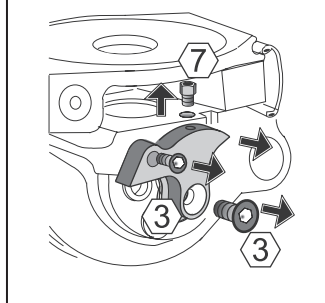
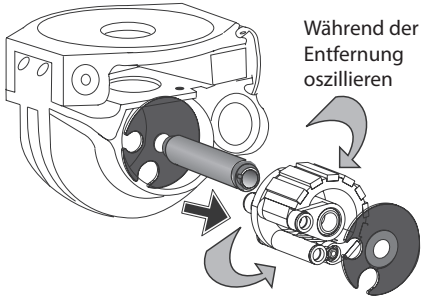
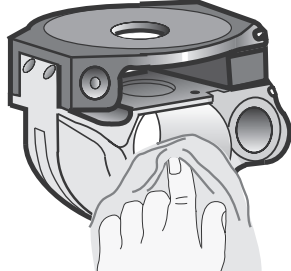


10.2 Austauschen der Schienbein-Stopps



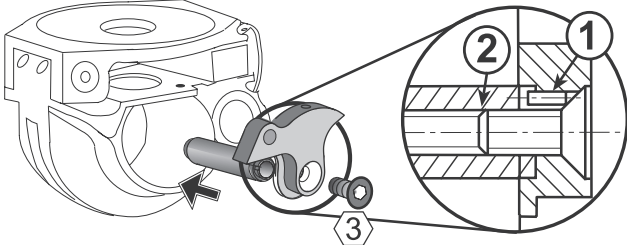
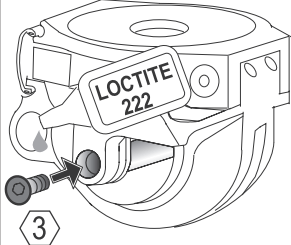
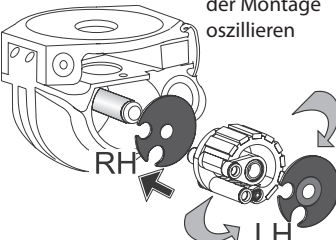
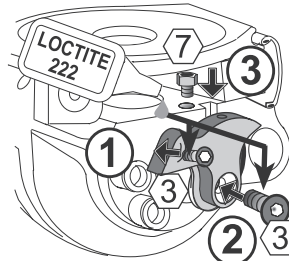

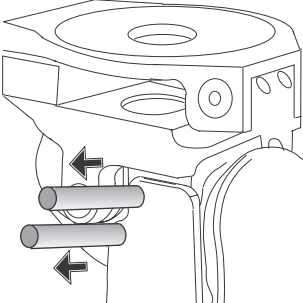
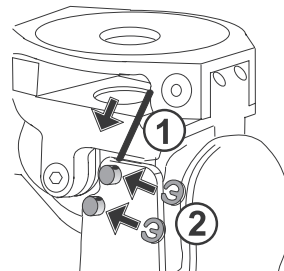

10.3 Entfernen des ESK+ Mechanismus

Die Anweisungen in diesem Abschnitt richten sich ausschließlich an Fachpersonal.

<p>1 Entfernen Sie alle bestehenden Belastungen, und notieren Sie die Anzahl der Klicks</p> <p>Ansicht der Chassis von unten</p> 	<p>2</p> 	<p>3</p> 
<p>4</p> 	<p>5</p> 	<p>6</p> 
<p>7</p>  <p>Während der Entfernung oszillieren</p> <p>Das Material des Bremsbands kann mit einem Papiertuch abgewischt werden. Keine Lösungsmittel verwenden.</p>		<p>8</p>  <p>Reinigen Sie die Bohrung mit einem geeigneten Lösungsmittel</p>

10.4 Austausch des ESK+ Mechanismus

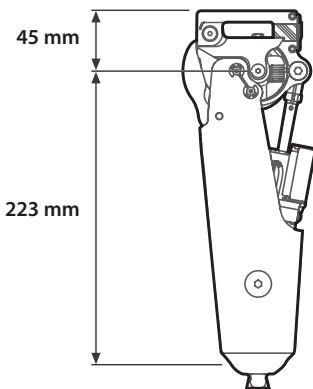
Die Anweisungen in diesem Abschnitt richten sich ausschließlich an Fachpersonal.

<p>1</p>  <p>Nehmen Sie die Seitenplatte heraus, um den Schlitz in der Spindel (2) am Passtift (1) auszurichten, aber befestigen Sie noch nichts.</p>	<p>2</p>  <p>Schrauben Sie die Spindel an der Chassis an.</p>	
<p>3</p>  <p>Während der Montage oszillieren</p> <p>RH LH</p> <p>DIE ORIENTIERUNG IST WICHTIG! Montieren Sie die flachen Seiten mit den Buchstaben (RH, LH) nach innen.</p>	<p>4</p>  <p>LOCTITE 222</p>	<p>5</p>  <p>STP Oil Treatment</p>
<p>6</p> 	<p>7</p>  <p>LOCTITE 222</p>	<p>8</p> <p>Bringen Sie die vorherige Belastung wieder auf, und notieren Sie die Anzahl der Klicks.</p> <p>Ansicht der Chassis von unten.</p>  <p>2.5</p>

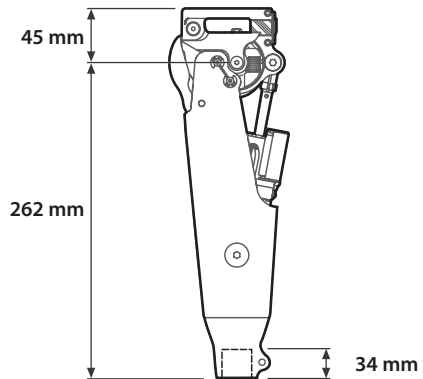
11 Technische Daten

Temperaturbereich für Betrieb und Lagerung:	-15 °C bis 50 °C
Komponentengewicht:	
SmartIP	1,27 kg
PSPC	1,13 kg
Mobilitätsklasse:	2–3 (4)
Maximales Anwendergewicht:	
Mobilitätsklassen 2–3	125 kg
Mobilitätsklasse 4	100 kg
Maximaler Flexionswinkel:	140°
Proximaler Befestigungsanschluss:	Einzelsschraube (Blatchford)
Distaler Befestigungsanschluss:	30 mm-Rohrklemme oder Pyramide (Blatchford)
Aufbauhöhe:	Siehe nachfolgende Darstellungen.

Anpassungslänge



**ESK+ Stanceflex mit distaler
Pyramide**



**ESK+ Stanceflex mit distaler
30 mm-Rohrklemme**

12 Bestellinformationen

Bestellbeispiel

	ESK+ mit Stanceflex							
	Distale 30 mm-Rohrklemme				Distale Pyramide			
Pneumatik- zylinder	ESK	SF	P	30	ESK	SF	P	PYR
	ESK+	Stanceflex	PSPC	Distale Rohrklemme 30 mm	ESK+	Stanceflex	PSPC	Distale Pyramide
SmartIP-Knie	SMARTIP	SF	30	SMARTIP	SF	PYR		
	SmartIP- Knie	Stanceflex	Distale Rohrklemme 30 mm	SmartIP-Knie	Stanceflex	Distale Pyramide		
Kein Steuer- zylinder angebracht	ESK	SF	30	ESK	SF	PYR		
	ESK+	Stanceflex	Distale Rohrklemme 30 mm	ESK+	Stanceflex	Distale Pyramide		

Ersatzteile

Artikel	Teile- Nr.
Stanceflex Knie-Baugruppe	239149
Ausrichtungsstift für ESK-Mechanismus	234914
Polster für vorderen Stopp	234903
ESK+ Kit für Stabilisierungsmechanismus	239949
Schienbein-Stopp	233810

Stanceflex-Gummi

Artikel	Teile- Nr.
25° rosa (weich)	231608
35° weiß	231606
45° orange (standardmäßig montiert)	231607
70° blau (hart)	231609

Haftung

Der Hersteller empfiehlt, das Produkt nur unter den angegebenen Bedingungen und für die angegebenen Zwecke zu verwenden. Das Produkt muss entsprechend der mit dem Produkt gelieferten Gebrauchsanweisung gewartet werden. Der Hersteller haftet nicht für nachteilige Ergebnisse, die durch nicht autorisierte Komponentenkombinationen entstanden sind.

CE-Konformität

Dieses Produkt erfüllt die Anforderungen der europäischen Richtlinie EU 2017/745 für Medizinprodukte. Dieses Produkt wurde entsprechend den Klassifizierungskriterien in Anhang VIII der Richtlinie als Produkt der Klasse I klassifiziert. Das Zertifikat der EU-Konformitätserklärung ist unter der folgenden Internetadresse verfügbar: www.blatchford.co.uk



Medizinprodukt



Ein Patient – Mehrfachverwendung

Kompatibilität

Die Kombination mit Produkten der Marke Blatchford ist zulässig basierend auf Tests gemäß den geltenden Normen und der MDR mit strukturellen Tests, dimensionaler Kompatibilität und überwachter Praxisleistung.

Die Kombination mit alternativen, CE-gekennzeichneten Produkten darf nur nach einer dokumentierten lokalen Risikobeurteilung durch eine Fachkraft erfolgen.

Garantie

Das Produkt verfügt über eine 24-monatige, und das Bremsband über eine 12-monatige Garantie.

Der Anwender muss sich bewusst sein, dass nicht ausdrücklich genehmigte Änderungen oder Modifikationen zum Verfall der Garantie, Betriebsgenehmigung und Ausnahmen führen können.

Auf der Blatchford-Website finden Sie die aktuellen, detaillierten Garantiebedingungen.

Bericht schwerer Zwischenfälle

Im unwahrscheinlichen Fall eines schweren Zwischenfalls in Verbindung mit diesem Produkt muss der Zwischenfall dem Hersteller und der für Ihr Land zuständigen Behörde gemeldet werden.

Umweltaspekte

Dieses Produkt enthält Hydrauliköl, verschiedene Metalle und Kunststoffe. Wenn möglich, sollten die Komponenten entsprechend den vor Ort geltenden Abfallvorschriften recycelt werden.

Aufbewahrung des Verpackungsetiketts

Die Fachkraft sollte das Verpackungsetikett als Aufzeichnung zum gelieferten Produkt aufbewahren.

Eingetragene Adresse des Herstellers

Blatchford Products Limited, Lister Road, Basingstoke RG22 4AH, Vereinigtes Königreich.

Hinweise zu Handelsmarken

Blatchford ist eine eingetragene Marke von Blatchford Products Limited.

Indice	56
1 Descrizione e finalità	57
2 Informazioni sulla sicurezza	59
3 Struttura.....	60
4 Funzionamento.....	61
5 Manutenzione	61
6 Limiti di utilizzo.....	62
7 Allineamento a banco	63
8 Indicazioni per l'allineamento e regolazione della stabilità	64
9 Indicazioni di montaggio	65
9.1 Sostituire la gomma Stanceflex	65
9.2 Regolazione dell'arresto frontale – Perno regolabile.....	66
9.3 Altre regolazioni	67
10 Istruzioni di montaggio.....	68
10.1 Sostituzione della gomma di battuta frontale	68
10.2 Sostituzione dei fermi della tibia.....	68
10.3 Rimozione del meccanismo ESK+	69
10.4 Sostituzione del meccanismo ESK+	70
11 Dati tecnici.....	71
12 Informazioni sulle ordinazioni	72

1 Descrizione e finalità

Le presenti istruzioni per l'uso sono destinate ai tecnici ortopedici e ai pazienti, fatto salvo quanto diversamente specificato.

Il termine dispositivo è utilizzato in questo documento per fare riferimento ai prodotti Stanceflex ESK+.

Si prega di leggere e accertarsi di avere compreso tutte le istruzioni per l'uso, in particolare tutte le informazioni sulla sicurezza e le istruzioni sulla manutenzione.

Applicazione

Questo dispositivo deve essere utilizzato esclusivamente quale parte di una protesi di arto inferiore.

Questo dispositivo è destinato a un solo utente.

Il dispositivo è un ginocchio monoassiale stabilizzato attivato dal peso con elemento di flessione in appoggio integrato e ha lo scopo di migliorare la sicurezza e ridurre la compensazione.

Sulla tibia può essere montato un PSPC (controllo pneumatico nella fase di oscillazione) o un controllo nella fase di oscillazione SmartIP (Smart Intelligent Prosthesis) oppure può essere fornito senza cilindro.

Un elemento in gomma sul retro del telaio del ginocchio fornisce un'ulteriore flessione in appoggio.

Caratteristiche

	PSPC regolato manualmente	SmartIP controllato da microprocessori
Flessione in appoggio in fase di carico	✓	✓
Telaio robusto in fibra di carbonio	✓	✓
Flessione del ginocchio di 140 gradi	✓	✓
Sensibilità regolabile della stabilità del ginocchio	✓	✓
Controlli indipendenti dell'oscillazione regolabili manualmente per flessione ed estensione	✓	
Controllo dell'oscillazione in flessione controllata da microprocessori con smorzamento dell'impatto terminale regolabile in estensione		✓

Livello di attività

Il dispositivo è destinato a pazienti con livelli di attività 2, 3 e 4 (si applicano limiti di peso, consultare la sezione *Dati tecnici*).

Questo dispositivo potrebbe non essere indicato per i pazienti con livello di attività pari a 1 o per l'uso in competizioni sportive. Per questi tipi di pazienti è più indicata una protesi progettata in modo specifico e ottimizzata per le loro esigenze.

Livello di attività 1

Ha la capacità o la potenzialità di usare una protesi per il passaggio o la deambulazione su superfici piane a cadenza fissa. Situazione tipica del paziente che deambula in modo limitato o illimitato. **Livello di attività 2**

Ha la capacità o la potenzialità di deambulare riuscendo a superare barriere architettoniche di basso livello quali marciapiedi, scale o superfici irregolari. Situazione tipica del paziente che deambula fuori dalla propria abitazione in modo limitato.

Livello di attività 3

Ha la capacità o il potenziale per deambulare con cadenza variabile. Situazione tipica del paziente che deambula fuori dalla propria abitazione, che è in grado di superare la maggior parte delle barriere architettoniche e che può svolgere attività professionali, terapeutiche o fisiche che richiedono l'uso di protesi al di là della semplice deambulazione.

Livello di attività 4

Il paziente riesce o ha una potenziale capacità di deambulazione protesica che supera le abilità di deambulazione di base, dimostrando impatto, stress o livelli energetici elevati. Situazione tipica delle richieste protesiche del bambino, dell'adulto attivo o dell'atleta.

Vantaggi clinici

- Il supporto in appoggio attivato dal peso e il controllo regolabile dell'oscillazione garantiscono un'andatura sicura e lineare con un ginocchio libero.
- Stanceflex migliora l'assorbimento degli urti.
- Il controllo dell'oscillazione tramite microprocessore permette andature ottimizzate per una gamma di velocità di camminata. (Solo SmartIP)

Controindicazioni

Questo dispositivo non è idoneo per:

- Pazienti con debolezza muscolare estrema, contratture non trattabili correttamente o disfunzioni propriocettive compreso lo scarso equilibrio.
- Pazienti con instabilità o patologie dell'articolazione controlaterale.
- Pazienti con condizioni complicate che comprendono molteplici disabilità.
- I pazienti, compresi coloro che hanno subito amputazioni transfemorali bilaterali, che richiedono una funzione in carico dal ginocchio per scendere le scale o sedersi. Ciò può provocare un danno al meccanismo di freno che può compromettere la stabilità e la durata.














I pazienti devono seguire una riabilitazione all'andatura prima di utilizzare il dispositivo.



Accertarsi che il paziente abbia compreso tutte le istruzioni per l'uso, richiamando in particolare l'attenzione sulle sezioni relative alla manutenzione e alla sicurezza.

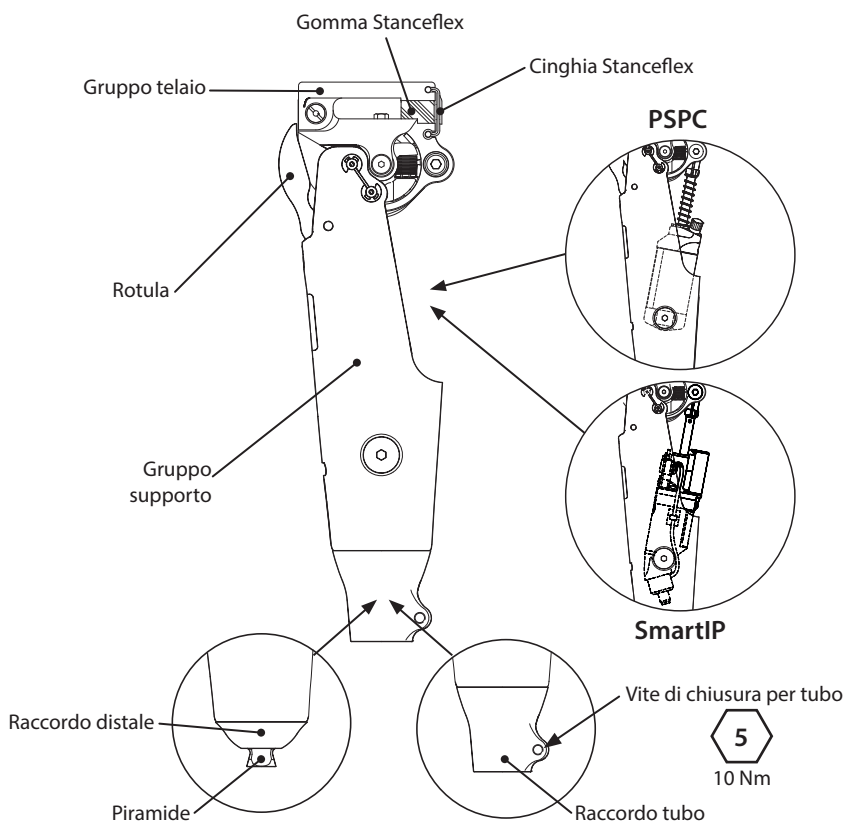
2 Informazioni sulla sicurezza

-  Questo simbolo evidenzia importanti informazioni sulla sicurezza.
-  Prestare costantemente attenzione al rischio di intrappolamento delle dita.
 -  Tutte le variazioni alle prestazioni dell'arto, ad esempio instabilità, doppia azione, limitazioni del movimento, movimento non fluido devono essere segnalate immediatamente al tecnico ortopedico.
 -  Appoggiarsi sempre a un corrimano nella discesa delle scale e in qualsiasi altro momento, se disponibile.
 -  Tutte le variazioni eccessive nell'altezza del tallone dopo l'allineamento possono influire negativamente sul funzionamento dell'arto.
 -  Assicurarsi di guidare solo veicoli modificati. Tutte le persone sono tenute a osservare i rispettivi codici della strada quando si trovano alla guida di veicoli a motore.
 -  Prestare attenzione al trasporto di carichi pesanti poiché questi possono compromettere la stabilità del dispositivo.
 -  In caso di variazione delle condizioni, si raccomanda al paziente di contattare il proprio tecnico ortopedico.
 -  Evitare l'esposizione a calore e/o freddo molto intensi.
 -  Il montaggio, la manutenzione e la riparazione del dispositivo devono essere eseguiti solo dal personale competente.
 -  Il dispositivo non è destinato all'uso per immersioni in acqua o quale protesi per doccia. Se entra a contatto con l'acqua, asciugarlo immediatamente.

3 Struttura

Componenti principali

- Gruppo supporto Composito in fibra di carbonio e acciaio inossidabile
- Gruppo telaio Lega di alluminio, acciaio inossidabile, termoplastica tecnica, fibra rinforzata, materiale di frizione senza amianto.
- Raccordo distale Lega di alluminio
- Piramide distale Titanio con bullone in acciaio inossidabile
- Morsetto per tubo distale Lega di alluminio
- Rotula Termoplastica tecnica
- Gomma Stanceflex Gomma naturale
- Cinghia Stanceflex Kevlar
- PSCP Lega di alluminio, acciaio inossidabile, titanio, termoplastica tecnica
- Cilindro a controllo SmartIP Lega di alluminio, acciaio inossidabile, titanio, termoplastica tecnica
Componenti elettronici, batterie



4 Funzionamento

Il ginocchio è una struttura monoassiale composta da un perno che collega un telaio a un supporto. All'interno del telaio risiede un meccanismo stabilizzante del ginocchio attivato dal peso. Il telaio del ginocchio è dotato di una placca superiore collegata tramite perno che è sostenuta saldamente da un blocco in gomma. Questo garantisce una flessione in appoggio sotto carico e l'assorbimento degli shock da carico all'appoggio del tallone.

All'interno di questa struttura risiede un cilindro di controllo del ginocchio, montato tra il perno posteriore del telaio e il perno distale del supporto.

Il cilindro PSPC ha valvole regolabili manualmente che consentono un controllo indipendente della resistenza alla flessione e all'estensione durante la fase di oscillazione.

Il cilindro di controllo SmartIP utilizza sensori interni al cilindro per monitorare la velocità di camminata e regolare di conseguenza la resistenza alla flessione in modo automatico. Il controllo dell'estensione avviene tramite la regolazione fissa di un ammortizzatore di impatto terminale.

5 Manutenzione

Effettuare controlli visivi regolari del dispositivo.

Segnalare eventuali variazioni della prestazione del dispositivo al tecnico ortopedico, ad esempio rumori insoliti, aumento della rigidità o rotazione limitata/eccessiva, usura significativa o decolorazione dovuta a una lunga esposizione ai raggi UV.

Informare il tecnico ortopedico di tutti i cambiamenti di peso corporeo e/o del livello di attività.

Pulizia

Pulire le superfici esterne con un panno umido e un detergente neutro. NON utilizzare detergenti aggressivi.

Le restanti istruzioni della presente sezione sono destinate ai soli tecnici ortopedici.

La manutenzione deve essere svolta solo da personale competente (tecnico ortopedico o altro tecnico esperto).

Per mantenere una performance ottimale si consiglia di effettuare un'ispezione periodica per verificare gioco, stabilità e presenza di rumori insoliti. Il periodo tra un'ispezione e l'altra è determinato da fattori quali l'attività del paziente, la frequenza di uso e l'impostazione di stabilità del ginocchio.

Indicativamente, se l'impostazione è di 6 clic o superiore e la media del paziente è di 600.000 passi all'anno, si consiglia un'ispezione annuale.

Se l'impostazione di stabilità è inferiore a 6 clic e/o il paziente ha una media inferiore ai valori medi del numero di passi, il periodo tra un'ispezione e l'altra può essere superiore a un anno.

Per il conteggio dei passi si consiglia di utilizzare un sistema di monitoraggio dell'attività dell'arto.

Consigliamo di regolare il ginocchio in base ai requisiti di stabilità dei singoli pazienti per garantire una stabilità e una durata ottimali. Vedi la guida alla regolazione/il diagramma di flusso.

In occasione di queste ispezioni:

- Controllare la presenza di difetti visivi che possono interferire con il corretto funzionamento.
- Controllare la presenza di gioco mediale/laterale del telaio ed eccesso di compressione della gomma Stanceflex. Se necessario, sostituire i cuscinetti e la gomma Stanceflex.

- Controllare l'arresto frontale e sostituire, se necessario.
- Controllare gli arresti tibiali e sostituire, se necessario.
- Smontare, pulire e rimontare il meccanismo del ginocchio.

Si consiglia all'utente di effettuare un controllo visivo regolare del dispositivo e di segnalare al tecnico ortopedico eventuali cambiamenti nelle prestazioni del dispositivo. I cambiamenti nelle prestazioni possono riguardare: aumento o diminuzione della rigidità del ginocchio, instabilità, supporto ridotto del ginocchio (movimento libero), eventuali rumori insoliti.

Se il dispositivo viene utilizzato per svolgere attività estreme, occorre rivedere il livello e l'intervallo di manutenzione e, se necessario, richiedere consulenza e supporto tecnico per programmare un nuovo piano di manutenzione a seconda della frequenza e della natura dell'attività. Tale piano dovrebbe essere stabilito da una valutazione del rischio locale eseguita da un operatore adeguatamente qualificato.

Immagazzinamento

Se inutilizzato per periodi lunghi, il dispositivo deve essere conservato in un luogo asciutto e a una temperatura compresa tra -15 °C e 50 °C.

Utilizzare l'imballaggio in dotazione con il prodotto.

6 Limiti di utilizzo

Durata prevista:

È necessario effettuare una valutazione del rischio specifica in base all'attività e all'utilizzo del dispositivo.

Sollevamento carichi

Il peso e l'attività del paziente devono rispettare i limiti indicati.

Il peso trasportato dal paziente deve basarsi sulla valutazione del rischio specifico.

Ambiente:

Evitare l'esposizione del dispositivo a elementi corrosivi, quali acqua, acidi e altri liquidi. Evitare inoltre ambienti abrasivi come ad esempio quelli contenenti sabbia, poiché favoriscono l'usura prematura.

Utilizzare esclusivamente a temperature comprese tra -15 °C e 50 °C



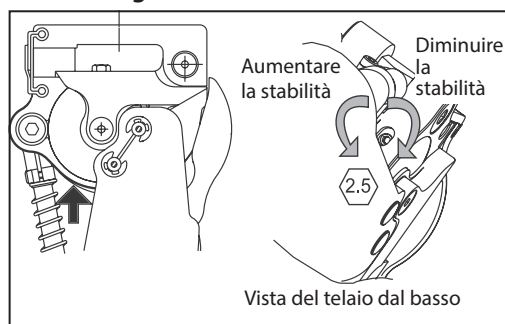
Adatto all'utilizzo in ambiente esterno

7 Allineamento a banco

Le istruzioni della presente sezione sono destinate ai soli tecnici ortopedici.

Prove di camminata

Regolatore della vite di carico



Stendere l'arto completamente per accedere alla regolazione.

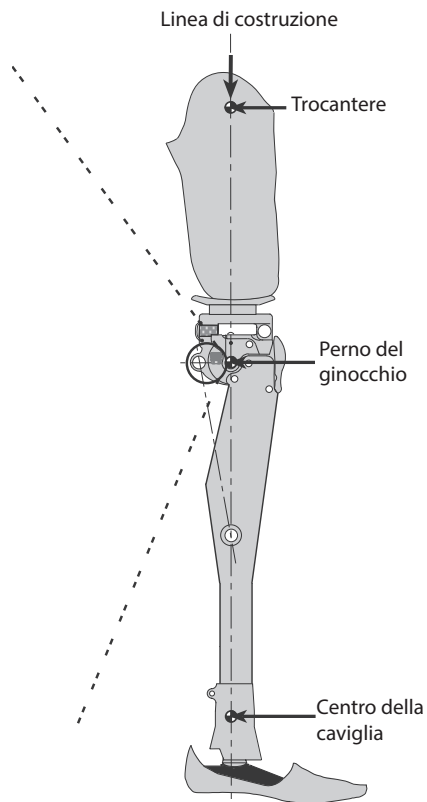
Ruotare LA VITE DI CARICO per ottenere la stabilità desiderata per il paziente.

N.B. ... In fase di regolazione si dovrebbero sentire clic acustici e il regolatore che si blocca autonomamente.

Serrare la VITE DI CARICO per ridurre la stabilità.

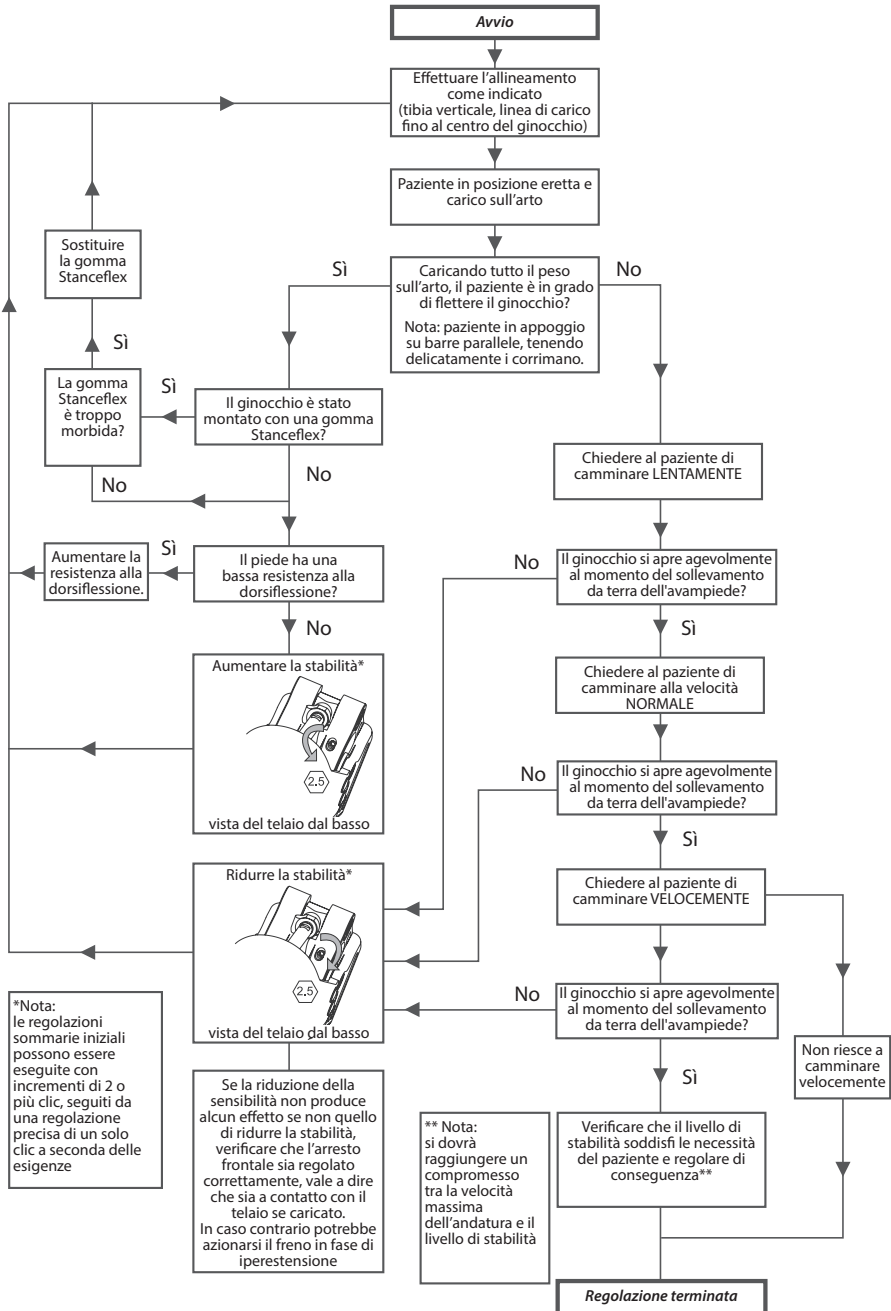
Rilasciare la VITE DI CARICO per aumentare la stabilità. Vedi sopra.

Se necessario si possono ripristinare le impostazioni di fabbrica per il regolatore. Per fare ciò ridurre la stabilità di 6 clic partendo dal livello massimo di stabilità.



8 Indicazioni per l'allineamento e regolazione della stabilità

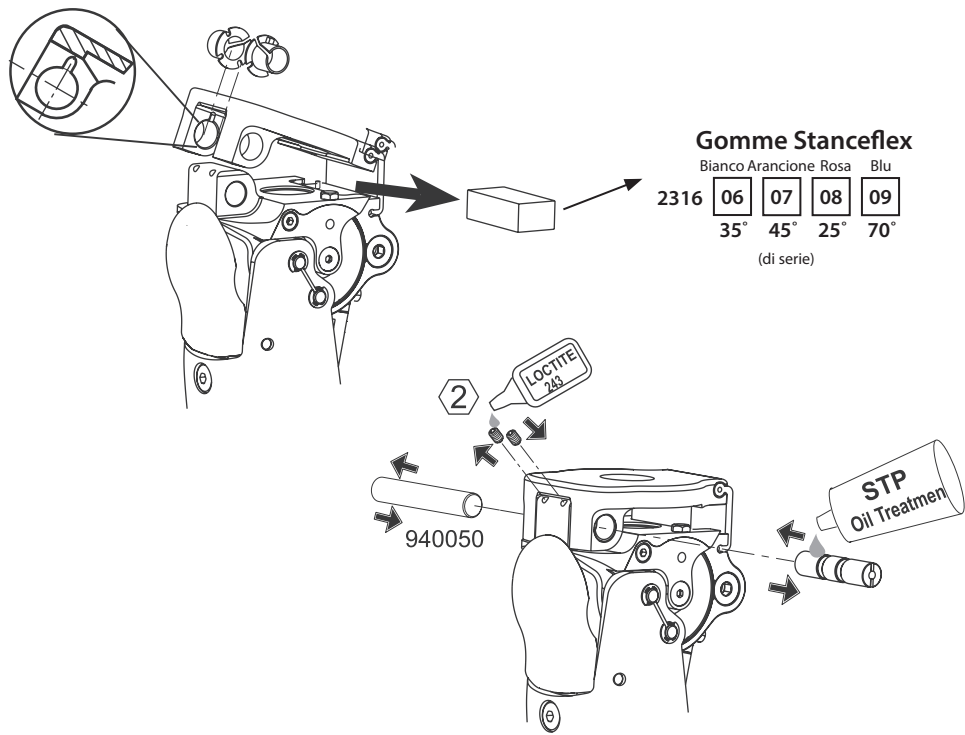
Le istruzioni della presente sezione sono destinate ai soli tecnici ortopedici.



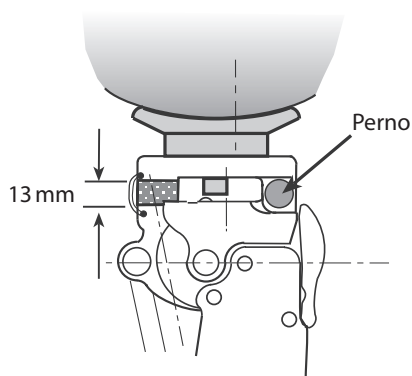
9 Indicazioni di montaggio

Le istruzioni della presente sezione sono destinate ai soli tecnici ortopedici.

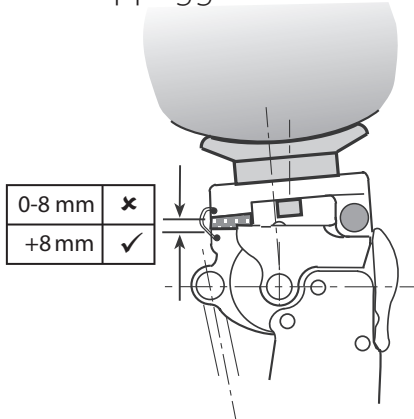
9.1 Sostituire la gomma Stanceflex



Statico



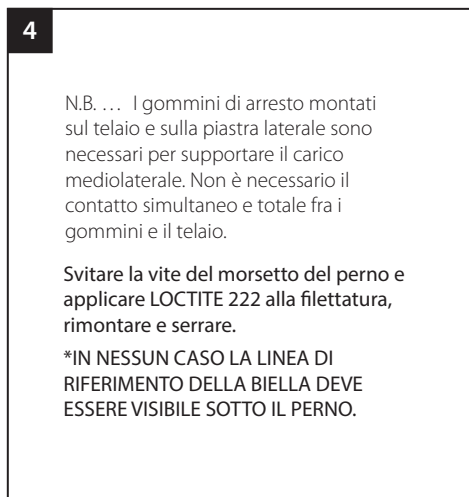
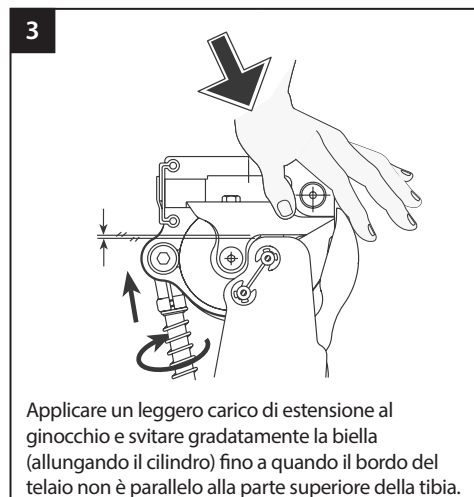
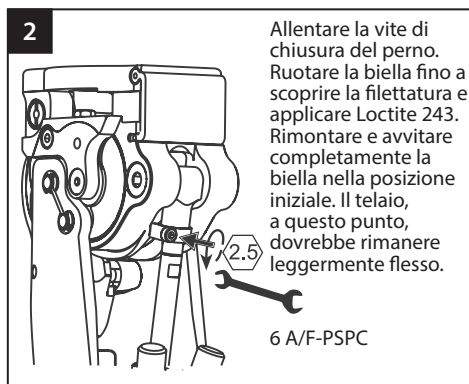
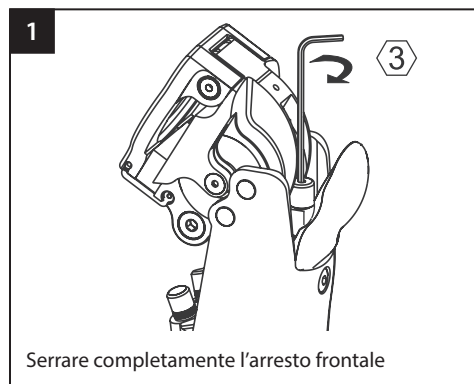
Flessione del ginocchio a seguito dell'appoggio del tallone



9.2 Regolazione dell'arresto frontale – Perno regolabile

Le istruzioni della presente sezione sono destinate ai soli tecnici ortopedici.

Montato su PSPC



Regolazione dell'arresto frontale – Protesi intelligente non regolabile

(montato su modelli SmartIP più vecchi)

Non occorre alcuna regolazione se si utilizzano questi cilindri. L'arresto frontale deve essere completamente serrato come indicato nella Fase 1.

9.3 Altre regolazioni

Le istruzioni della presente sezione sono destinate ai soli tecnici ortopedici.

Problema	Soluzione
Il ginocchio non si stabilizza	Aumentare la sensibilità
	Spostare l'invasatura in avanti
	Sostituire il meccanismo di stabilizzazione se il bordo posteriore del freno è danneggiato
	Controllare la gomma Stanceflex e sostituire, se necessario (vedi la sezione <i>Flessione del ginocchio a seguito dell'appoggio del tallone</i> per lo spessore minimo in compressione)
Il ginocchio non viene rilasciato	Diminuire la sensibilità
	Controllare la corretta regolazione della lunghezza della biella
	Spostare l'invasatura all'indietro
Il tallone sale troppo in alto durante l'oscillazione	Consultare le istruzioni per l'uso del cilindro di controllo
Il tallone sale troppo poco durante l'oscillazione	Consultare le istruzioni per l'uso del cilindro di controllo
Il paziente lamenta un impatto terminale	Consultare le istruzioni per l'uso del cilindro di controllo
Il dispositivo non si estende completamente durante l'oscillazione	Consultare le istruzioni per l'uso del cilindro di controllo

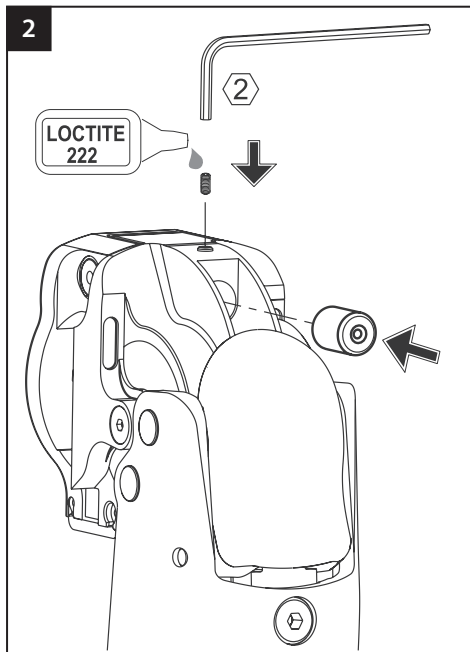
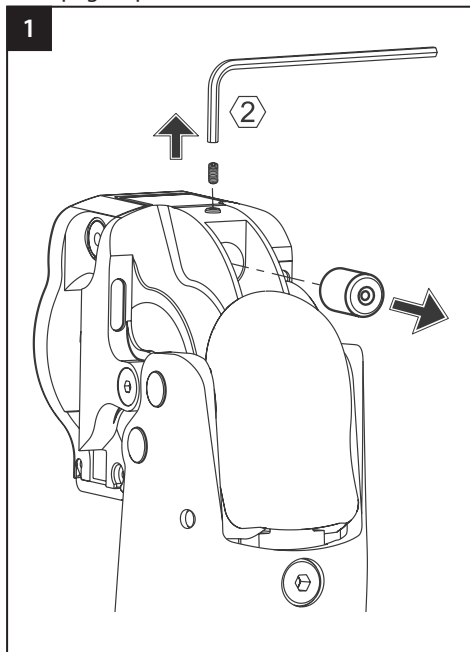
Se, dopo aver seguito queste istruzioni, persistono problemi di funzionamento, contattare il team di vendita della propria regione.

10 Istruzioni di montaggio

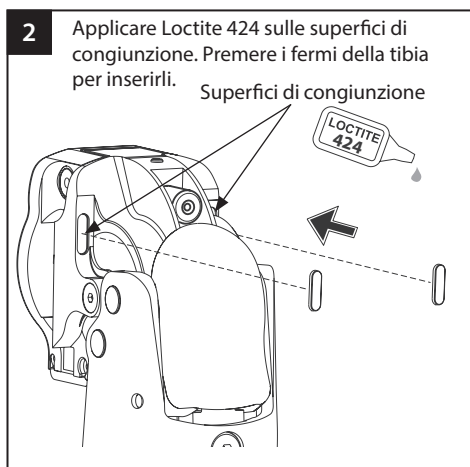
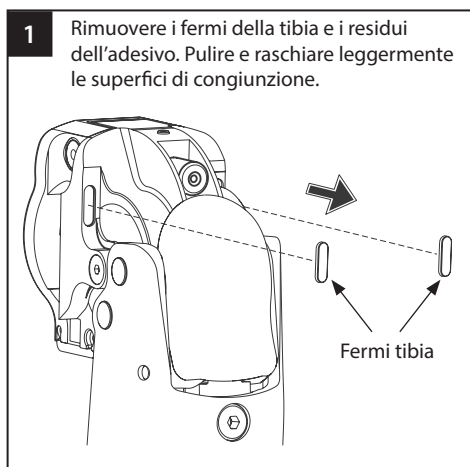
Le istruzioni della presente sezione sono destinate ai soli tecnici ortopedici.

10.1 Sostituzione della gomma di battuta frontale

Quando si monta un nuovo arresto frontale, effettuare sempre una nuova regolazione e, eventualmente, controllare la lunghezza del cilindro se è montato con un perno regolabile. (vedi pagina precedente)

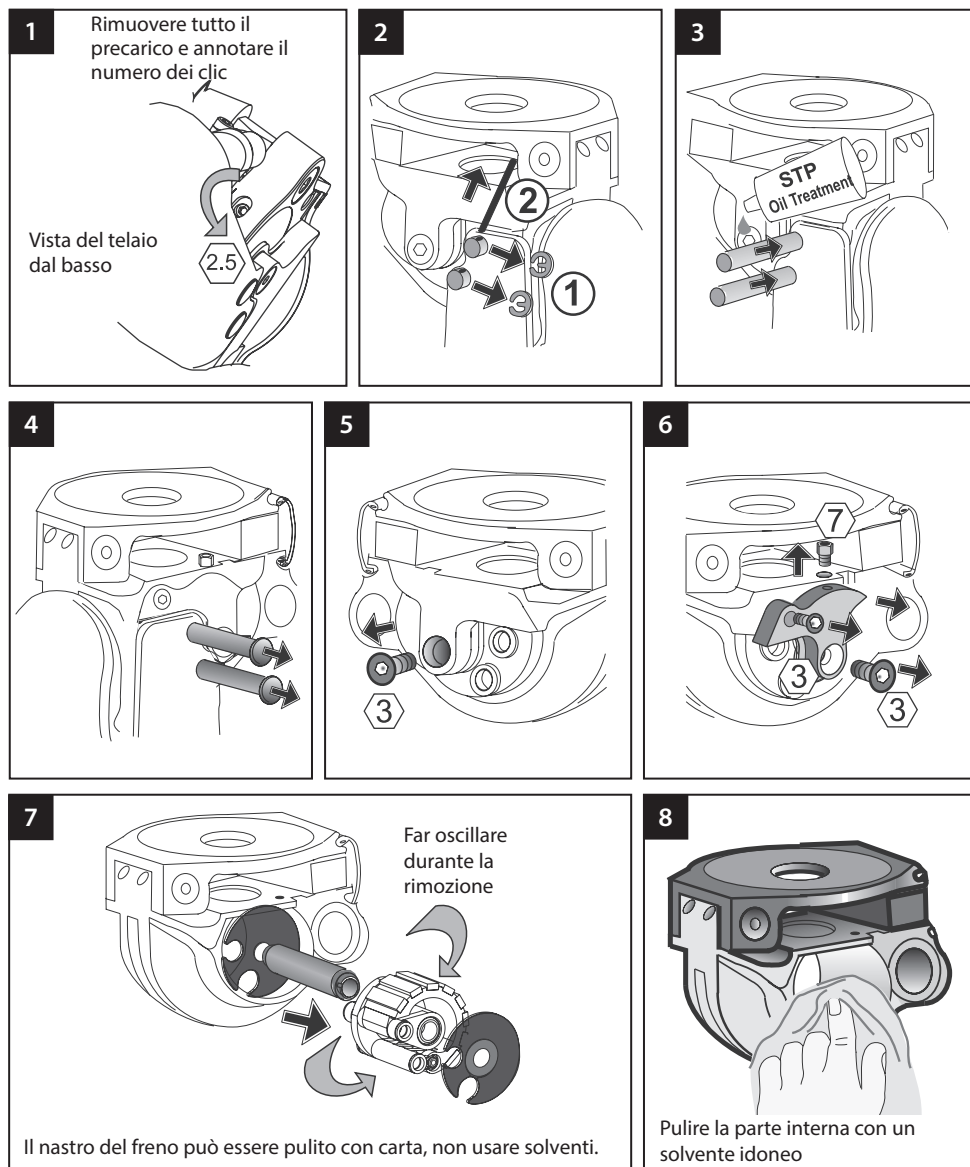


10.2 Sostituzione dei fermi della tibia



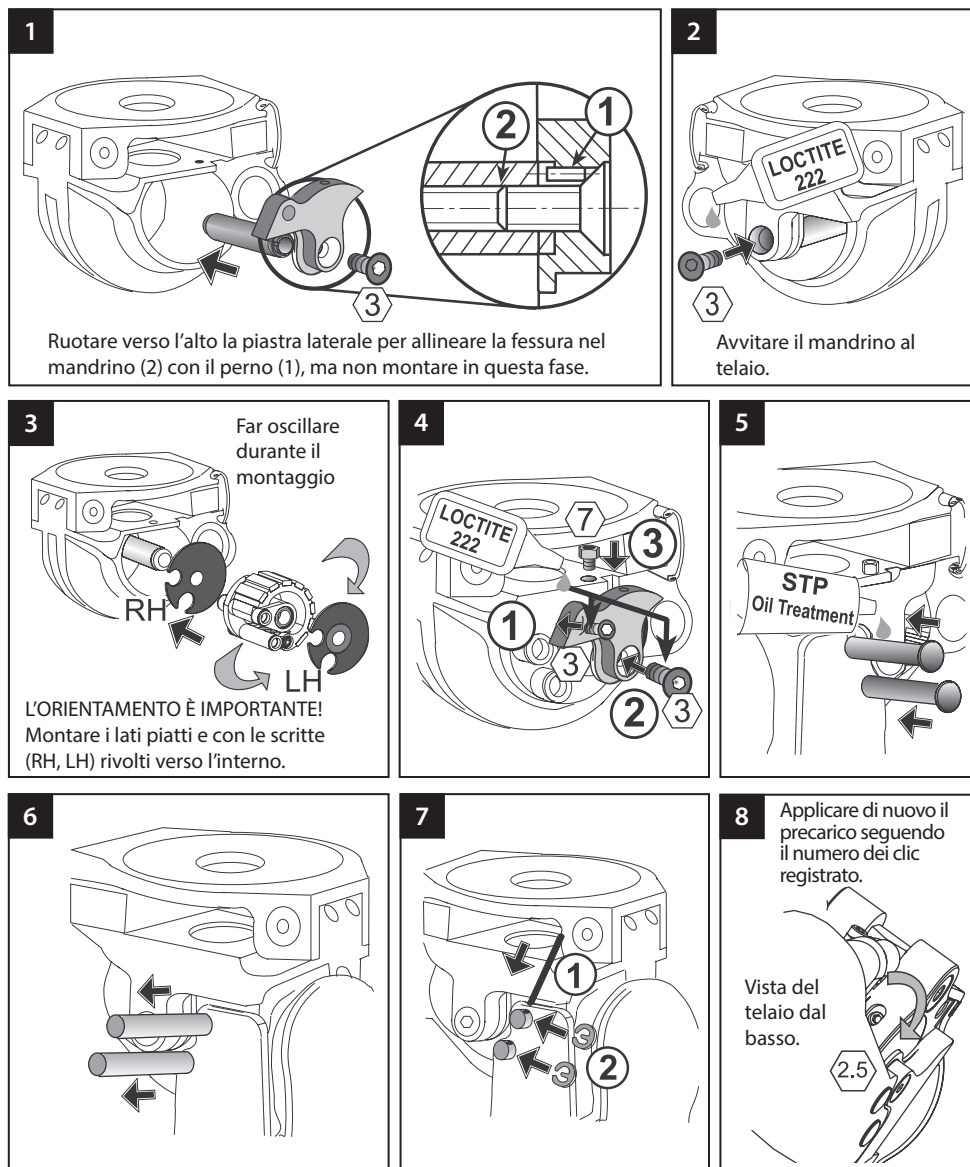
10.3 Rimozione del meccanismo ESK+

Le istruzioni della presente sezione sono destinate ai soli tecnici ortopedici.



10.4 Sostituzione del meccanismo ESK+

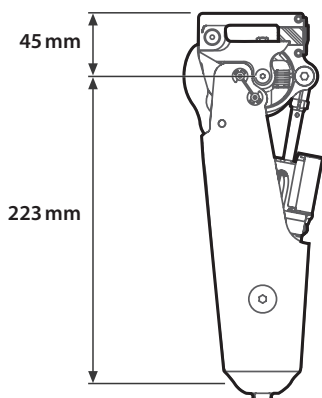
Le istruzioni della presente sezione sono destinate ai soli tecnici ortopedici.



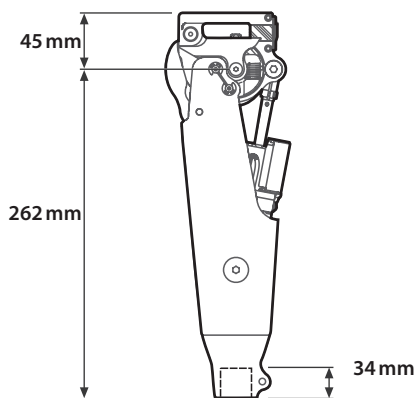
11 Dati tecnici

Intervallo di temperatura di esercizio e stoccaggio:	da -15 °C a 50 °C
Peso del componente:	
SmartIP	1,27 kg
PSPC	1,13 kg
Livello di attività:	2-3 (4)
Peso massimo del paziente:	
Livelli di attività 2- 3	125 kg
Livello di attività 4	100 kg
Angolo di flessione massimo:	140°
Attacco di allineamento prossimale:	Monovite (Blatchford)
Attacco di allineamento distale:	Raccordo tubo 30 mm o piramide maschio (Blatchford)
Ingombro verticale:	Consultare le immagini sotto.

Lunghezza di montaggio



**ESK+ Stanceflex
con piramide distale**



**ESK+ Stanceflex Raccordo per
tubo distale da 30 mm**

12 Informazioni sulle ordinazioni

Esempio di ordine

	ESK+ con Stanceflex							
	Raccordo per tubo distale da 30 mm				Piramide distale			
Cilindro pneumatico	ESK	SF	P	30	ESK	SF	P	PYR
	ESK+	Stanceflex	PSPC	Raccordo per tubo distale da 30 mm	ESK+	Stanceflex	PSPC	Piramide distale
Ginocchio SmartIP	SMARTIP	SF		30	SMARTIP	SF		PYR
	Ginocchio SmartIP	Stanceflex		Raccordo per tubo distale da 30 mm	Ginocchio SmartIP	Stanceflex		Piramide distale
Nessun cilindro di controllo montato	ESK	SF		30	ESK	SF		PYR
	ESK+	Stanceflex		Raccordo per tubo distale da 30 mm	ESK+	Stanceflex		Piramide distale

Ricambi

Pezzo	Codice articolo
Gruppo ginocchio Stanceflex	239149
Perno di allineamento del meccanismo ESK	234914
Cuscinetto di arresto frontale	234903
ESK+ Kit del meccanismo di stabilizzazione	239949
Arresto tibia	233810

Gomma Stanceflex

Pezzo	Codice articolo
25° Rosa (morbido)	231608
35° Bianco	231606
45° Arancione (di serie)	231607
70° Blu (rigido)	231609

Responsabilità

Il produttore raccomanda l'utilizzo del dispositivo esclusivamente nelle condizioni specificate e per gli impieghi previsti. Il dispositivo deve essere sottoposto a manutenzione conformemente alle istruzioni per l'uso fornite con il dispositivo. Il produttore non è responsabile dei danni causati dalle combinazioni dei componenti non autorizzati dal produttore.

Conformità CE

Questo prodotto soddisfa i requisiti del Regolamento europeo UE 2017/745 relativo ai dispositivi medici. Il presente prodotto è stato classificato come dispositivo di classe I in base ai criteri di classificazione delineati nell'Allegato VIII del regolamento. Il certificato di dichiarazione di conformità UE è disponibile al seguente indirizzo di posta elettronica: www.blatchford.co.uk



Dispositivo medico



Monopaziente – Utilizzo multiplo

Compatibilità

La combinazione con i prodotti a marchio Blatchford è approvata in base a test condotti in conformità alle norme pertinenti e all'MDR, compresi test strutturali, compatibilità dimensionale e prestazioni sul campo monitorate.

La combinazione con prodotti alternativi a marchio CE deve essere eseguita in considerazione di una valutazione del rischio locale documentata svolta da un tecnico ortopedico.

Garanzia

Il dispositivo è garantito per 24 mesi, il nastro del freno 12 mesi.

Il paziente deve essere informato che eventuali variazioni o modifiche non espressamente approvate possono comportare l'annullamento della garanzia e il decadimento delle licenze operative e delle esenzioni.

Consultare sul sito web Blatchford la dichiarazione di garanzia completa vigente.

Segnalazione di incidenti gravi

Nell'improbabile caso di incidente grave che si verifica in relazione a questo dispositivo, si raccomanda di inviare una segnalazione al produttore e all'autorità nazionale competente.

Indicazioni ambientali

Questo prodotto contiene olio idraulico, metalli e plastiche misti. Ove possibile, i componenti devono essere riciclati in conformità con le normative in materia di gestione dei rifiuti vigenti a livello locale.

Conservare l'etichetta dell'imballaggio

Si consiglia al tecnico ortopedico di conservare l'etichetta dell'imballaggio come documentazione del dispositivo fornito.

Sede legale del produttore

Blatchford Products Limited, Lister Road, Basingstoke RG22 4AH, Regno Unito.

Riconoscimento dei marchi commerciali

Blatchford è un marchio registrato di Blatchford Products Limited.

Contenido	74
1 Descripción y uso previsto	75
2 Información de seguridad.....	77
3 Estructura	78
4 Función	79
5 Mantenimiento	79
6 Limitaciones de uso.....	80
7 Alineación de banco	81
8 Consejos de alineación y ajuste de la estabilidad	82
9 Consejos de montaje	83
9.1 Cambio de las gomas Stanceflex.....	83
9.2 Ajuste del tope delantero - Espiga ajustable	84
9.3 Ajustes adicionales	85
10 Instrucciones de montaje.....	86
10.1 Sustitución del tope amortiguador delantero	86
10.2 Sustitución de los topes de la espinilla	86
10.3 Extracción del mecanismo ESK+	87
10.4 Volver a instalar el mecanismo ESK+	88
11 Datos técnicos	89
12 Información para pedidos.....	90

1 Descripción y uso previsto

Estas instrucciones de uso están destinadas para ser utilizadas por el profesional sanitario y el usuario, a menos que se indique lo contrario.

El término *dispositivo* se utiliza en estas instrucciones de uso para referirse a los productos Stanceflex ESK+.

Siga leyendo para asegurarse de que entiende todas las instrucciones de uso; en concreto, toda la información de seguridad y las instrucciones de mantenimiento.

Aplicación

Este dispositivo debe utilizarse únicamente como parte de una prótesis de extremidad inferior.

Este dispositivo es para un solo usuario.

El dispositivo es una rodilla estabilizada activada por el peso uniaxial con un elemento de flexión de apoyo integrado, y está destinado a mejorar la seguridad y reducir la compensación.

La espinilla se puede equipar con control neumático de la fase de balanceo (PSPC) o control inteligente SmartIP de la fase de balanceo, o suministrarse sin cilindro.

Un elemento de goma situado en la parte posterior del chasis de la rodilla proporciona flexión de apoyo adicional.

Funciones

	PSPC con ajuste manual	SmartIP con control por microprocesador
Flexión de apoyo al soportar peso	✓	✓
Estructura resistente de fibra de carbono	✓	✓
Flexión de la rodilla de 140 grados	✓	✓
Sensibilidad regulable de la estabilidad de la rodilla	✓	✓
Controles del balanceo independientes de ajuste manual para la flexión y la extensión	✓	
Control del balanceo por microprocesador durante la flexión, con amortiguación del impacto terminal de ajuste manual durante la extensión.		✓

Nivel de actividad

Este dispositivo está destinado a usuarios con niveles de actividad 2, 3 y 4 (existen límites de peso; consultar *Datos técnicos*).

Es posible que este dispositivo no resulte adecuado para usuarios con un nivel 1 de actividad, o para competiciones deportivas. Las necesidades de este tipo de usuarios quedarán mejor cubiertas por una prótesis de diseño especial optimizada para ellas.

Nivel de actividad 1

Tiene la capacidad o el potencial de utilizar una prótesis para la transferencia o la ambulación sobre superficies regulares con cadencia de marcha fija. Esto es típico de los usuarios ambulatorios con capacidad limitada o ilimitada de caminar.

Nivel de actividad 2

Tiene la capacidad o el potencial de ambulación con la capacidad de salvar barreras del entorno de bajo nivel, como bordillos, escaleras o superficies irregulares. Esto es típico de los usuarios ambulatorios con capacidad limitada para caminar en su entorno exterior.

Nivel de actividad 3

Tiene la capacidad o el potencial de ambulación con cadencia de marcha variable. Típico del usuario ambulatorio con capacidad para caminar por su entorno exterior y salvar la mayoría de barreras del entorno, con un interés por realizar actividades vocacionales, terapéuticas o de ejercicio que exijan utilizar la prótesis para más que la simple locomoción.

Nivel de actividad 4

Tiene una capacidad o potencial de ambulación con prótesis que excede las habilidades de ambulación básica, con altos niveles de impacto, tensión o energía. Típico de las exigencias de una prótesis para niños, adultos activos o atletas.

Beneficios clínicos

- El control del apoyo activado por el peso y el control del balanceo regulable hacen posible una marcha fluida y segura con la rodilla libre.
- Stanceflex mejora la amortiguación.
- El control del balanceo por microprocesador permite optimizar la marcha con diversas velocidades (solo SmartIP).

Contraindicaciones

El dispositivo no es apto para:

- Usuarios con debilidad muscular extrema, contracturas que no sea posible acomodar correctamente o disfunción propioceptiva (incluidos problemas de equilibrio).
- Usuarios con inestabilidad o patología de la articulación contralateral.
- Usuarios con cuadros clínicos complejos con múltiples discapacidades.
- Usuarios, incluidos los amputados transfemorales bilaterales, que necesiten una rodilla con función de límite elástico para bajar las escaleras o sentarse. Esto puede dañar el mecanismo de freno, lo que puede afectar negativamente a la estabilidad y la durabilidad.



Antes de utilizar este dispositivo, debe enseñarse a los usuarios cómo caminar con él.



Cerciorarse de que el usuario haya entendido todas las instrucciones de uso, con particular atención a las secciones con información relativa al mantenimiento y la seguridad.

2 Información de seguridad



Este símbolo de advertencia resalta la información de seguridad importante.



Tener presente en todo momento el riesgo de atraparse los dedos.



Notificar inmediatamente a su proveedor de servicios cualquier cambio en el rendimiento o el funcionamiento de la extremidad (por ejemplo, inestabilidad, doble acción, movimiento restringido, movimiento poco fluido o ruidos inusuales).



Agarrarse siempre a la barandilla al bajar las escaleras y en cualquier otro momento si la hubiera.



Un cambio excesivo en la altura del talón una vez finalizada la alineación puede tener efectos adversos sobre la funcionalidad de la extremidad.



Conducir únicamente vehículos debidamente adaptados. Todas las personas deben obedecer el código de circulación correspondiente cuando utilicen vehículos motorizados.



Se debe llevar precaución a la hora de levantar o transportar cargas pesadas, puesto que pueden afectar negativamente a la estabilidad del dispositivo.



Se debe recomendar al usuario que se ponga en contacto con su profesional sanitario si cambia su cuadro clínico.



Evitar la exposición a extremos de calor y de frío.



El montaje, mantenimiento y reparación del dispositivo solo debe llevarlos a cabo un profesional sanitario con la debida titulación.

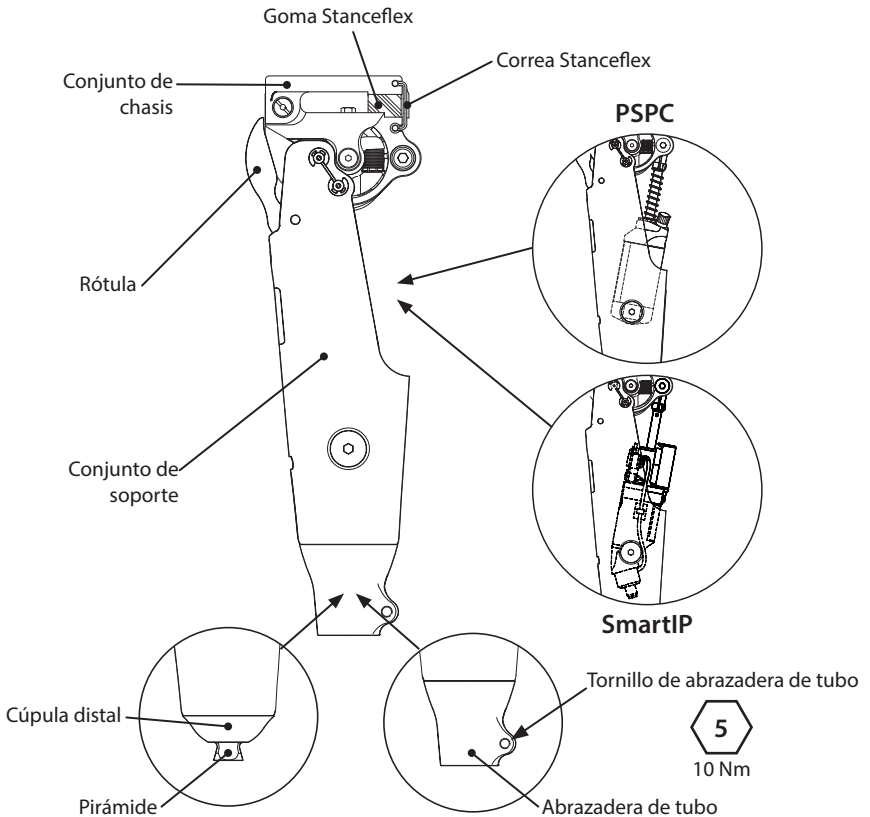


El dispositivo no es apto para usarse sumergido en agua ni como prótesis para la ducha. Si la extremidad entra en contacto con el agua, secar inmediatamente con un paño.

3 Estructura

Componentes principales

- Conjunto de soporte Fibra de carbono compuesta y acero inoxidable
- Conjunto del chasis Aleación de aluminio, acero inoxidable, termoplástico tecnológico, material de fricción (sin amianto) reforzado con fibra
- Cúpula distal Aleación de aluminio
- Pirámide distal Titanio con perno de acero inox.
- Abrazadera para tubo distal Aleación de aluminio
- Rótula Termoplástico tecnológico
- Goma Stanceflex Caucho natural
- Correa Stanceflex Kevlar
- PSPC Aleación de aluminio, acero inoxidable, titanio, termoplástico tecnológico
- Cilindro de control SmartIP Aleación de aluminio, acero inoxidable, titanio, termoplástico tecnológico
Componentes electrónicos, baterías



4 Función

La rodilla es de diseño uniaxial, y consta de un pivote que une un chasis a una base de soporte. El chasis alberga un mecanismo estabilizador de la rodilla activado por el peso. El chasis de la rodilla tiene una placa superior con conexión pivotante sustentada por un resistente bloque de goma; de ese modo, se proporciona una acción de flexión de apoyo bajo carga y se absorbe la carga por impacto del golpe de talón.

En el interior de esta estructura se encuentra un cilindro de control de la rodilla, que encaja entre el pivote posterior del chasis y el pivote distal de la base de soporte.

El cilindro del PSPC tiene válvulas de ajuste manual que permiten controlar la resistencia de flexión y extensión de forma independiente durante la fase de balanceo.

El cilindro de control SmartIP utiliza sensores situados en su interior para supervisar la velocidad de marcha, y ajusta automáticamente la resistencia a la flexión según corresponda. El control de la extensión se realiza mediante el ajuste fijo de un amortiguador de impacto terminal.

5 Mantenimiento

Realizar una inspección visual periódica del dispositivo.

Notificar al profesional sanitario/proveedor del servicio cualquier cambio en el rendimiento de este dispositivo (p. ej., ruidos inusuales, aumento de la rigidez, restricción o exceso de rotación, desgaste considerable o decoloración excesiva por exposición a largo plazo a la luz UV).

También se debe informar al profesional sanitario/proveedor del servicio de cualquier cambio en el peso corporal o nivel de actividad.

Limpieza

Limpiar las superficies externas con un paño húmedo y jabón suave. NO utilizar limpiadores agresivos.

El resto de las instrucciones de esta sección están destinadas exclusivamente al profesional sanitario.

El mantenimiento debe llevarlo a cabo únicamente el personal competente (profesional sanitario o técnico con la debida formación).

Para mantener un rendimiento óptimo, se recomienda realizar una inspección periódica para comprobar si existen problemas de ruido, juego excesivo o inestabilidad. La frecuencia de inspección viene determinada por factores como la actividad del usuario, la frecuencia de uso y la configuración de estabilidad de la rodilla.

Como guía, si la configuración es de 6 chasquidos o más y el usuario da un promedio de 600 000 pasos al año, se recomienda realizar una inspección anual.

Si la configuración es de menos de 6 chasquidos o el usuario no llega a alcanzar el promedio anual de pasos, la frecuencia de inspección puede ser menor.

Se recomienda el uso de un monitor de actividad de la extremidad para determinar el número de pasos dados.

Recomendamos ajustar la rodilla según los requisitos de estabilidad individuales del usuario para garantizar una estabilidad y durabilidad máximas. Véase la guía de ajuste/diagrama de flujo.

En estas inspecciones:

- Hacer una comprobación visual para detectar posibles defectos que puedan afectar al correcto funcionamiento.

- Comprobar si hay demasiado juego mediolateral en el chasis o exceso de compresión de la goma Stanceflex. Cambiar los cojinetes y la goma Stanceflex si es necesario.
- Comprobar el tope delantero y sustituirlo si resulta necesario.
- Comprobar los topes de la espinilla y sustituirlos si resulta necesario.
- Desmontar, limpiar y volver a montar el mecanismo de la rodilla.

Recomendar al usuario que efectúe periódicamente una inspección visual del dispositivo e informe al profesional sanitario de cualquier cambio en su rendimiento. Estos cambios pueden ser, entre otros, aumento o disminución de la rigidez de la rodilla, inestabilidad, reducción de soporte de la rodilla (movimiento libre), ruido inusual.

Si este dispositivo se utiliza para actividades extremas, se deberán revisar el nivel y los intervalos de mantenimiento y, en caso necesario, obtener asesoramiento y asistencia técnica para diseñar un nuevo programa de mantenimiento con arreglo a la frecuencia y la naturaleza de la actividad. Esto debe determinarse mediante una evaluación de riesgos local realizada por un profesional debidamente cualificado.

Almacenaje y manipulación

Si se va a guardar durante períodos largos, el dispositivo deberá permanecer seco y a una temperatura comprendida entre -15 °C y 50 °C.

Utilizar el embalaje del producto provisto.

6 Limitaciones de uso

Vida útil prevista:

Se debe llevar a cabo una evaluación de riesgos local según el tipo de actividad y el uso.

Levantamiento de cargas

El peso y la actividad del usuario están gobernados por los límites indicados.

El transporte de cargas por el usuario debe basarse en una evaluación de riesgos local.

Entorno:

Evitar exponer el dispositivo a elementos corrosivos como agua, ácidos y otros líquidos. Evitar también entornos abrasivos, por ejemplo con arena, ya que pueden provocar un desgaste prematuro.

Utilizar exclusivamente con temperaturas comprendidas entre -15 °C y 50 °C.



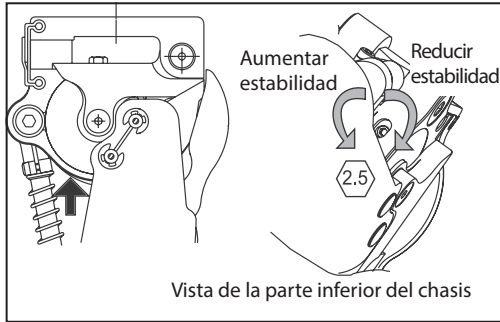
Adecuado para uso en exteriores

7 Alineación de banco

Las instrucciones de esta sección están dirigidas exclusivamente al profesional sanitario.

Pruebas de marcha

Regulador del resorte



Extender la extremidad por completo para obtener acceso al regulador.

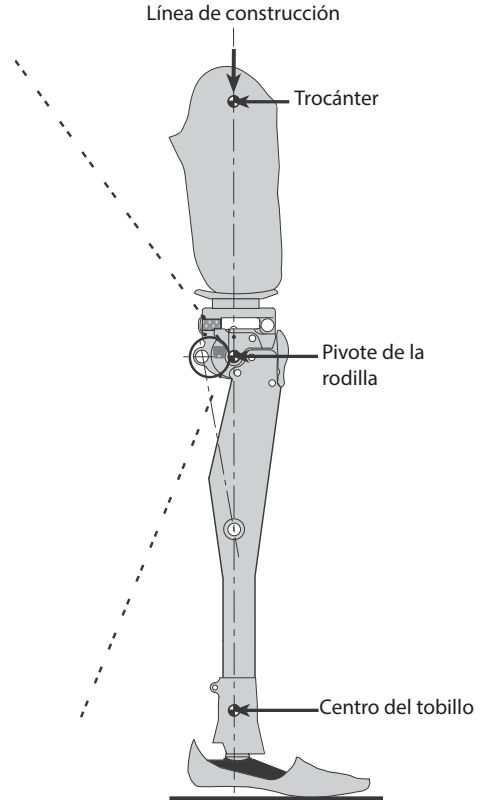
Hacer girar el REGULADOR DEL RESORTE para alcanzar el nivel de estabilidad necesario para el amputado concreto.

Nota... Se oirán chasquidos al realizar el ajuste, y el regulador se autobloqueará.

Apretar el RESORTE para reducir la estabilidad.

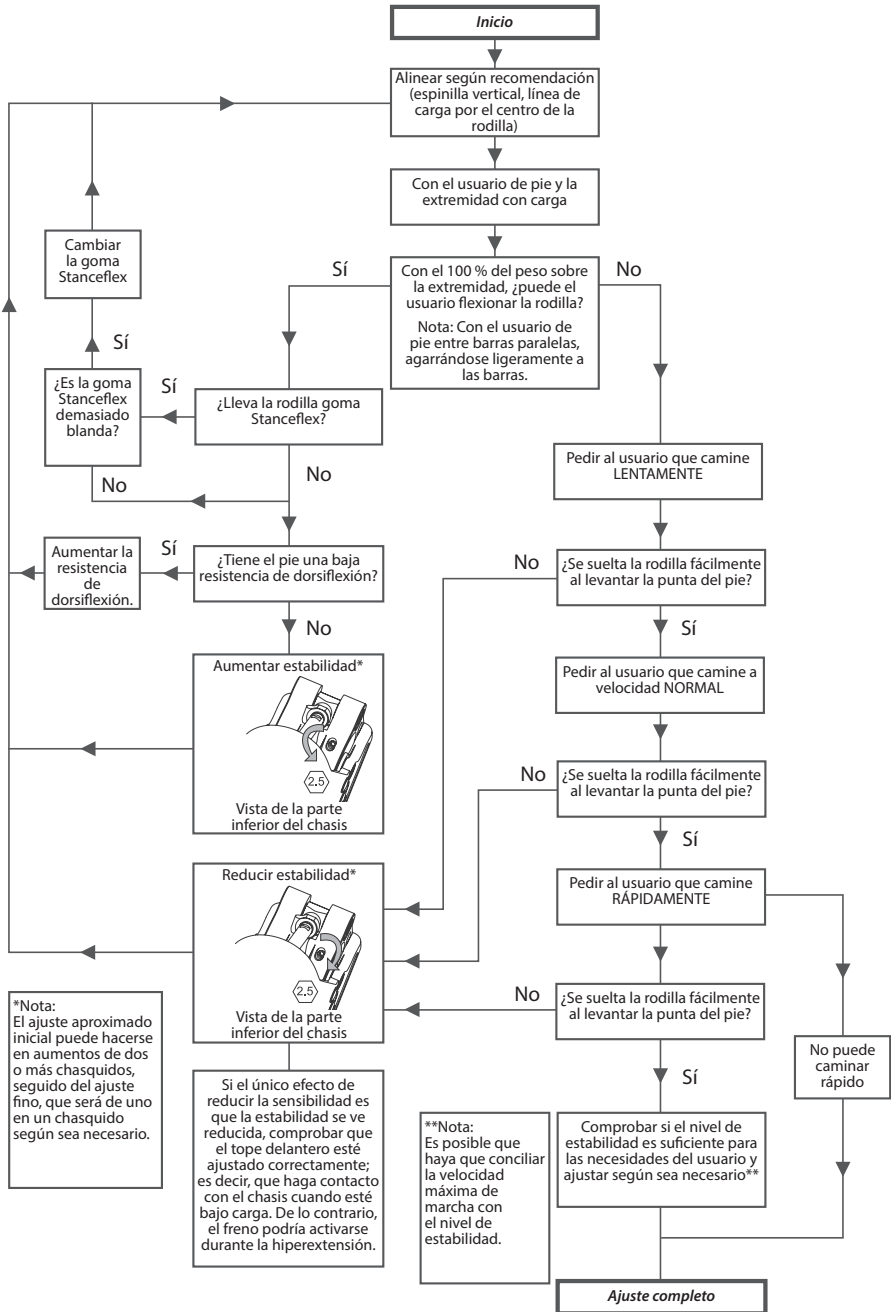
Aflojar el RESORTE para aumentar la estabilidad; ver arriba.

Si es necesario, se puede restaurar el ajuste de fábrica del regulador. Para ello, reducir la estabilidad en seis chasquidos partiendo del ajuste máximo de estabilidad.



8 Consejos de alineación y ajuste de la estabilidad

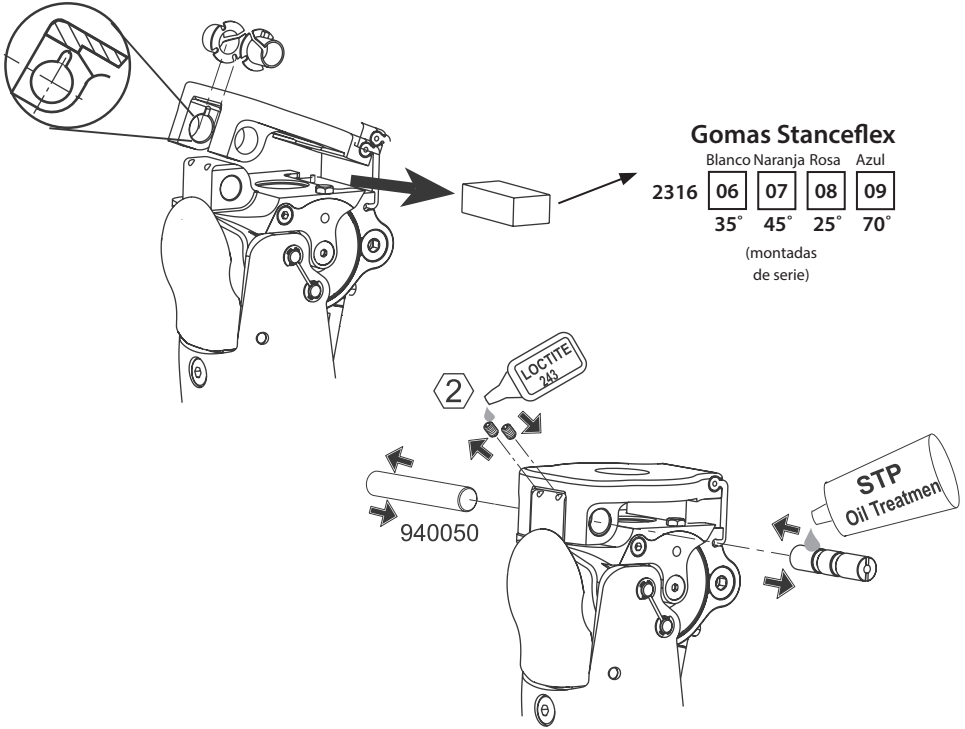
Las instrucciones de esta sección están dirigidas exclusivamente al profesional sanitario.



9 Consejos de montaje

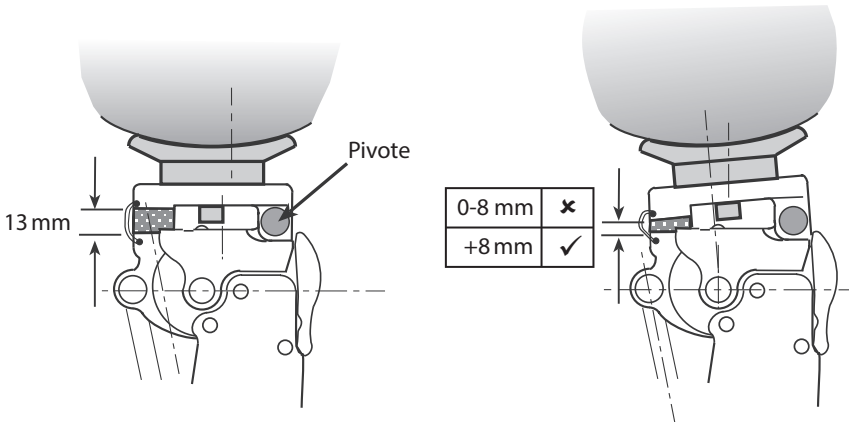
Las instrucciones de esta sección están dirigidas exclusivamente al profesional sanitario.

9.1 Cambio de las gomas Stanceflex



Estático

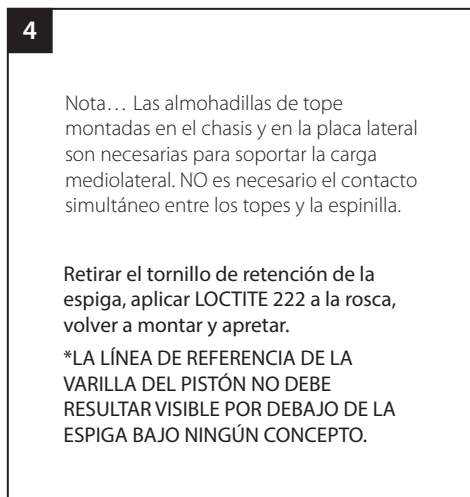
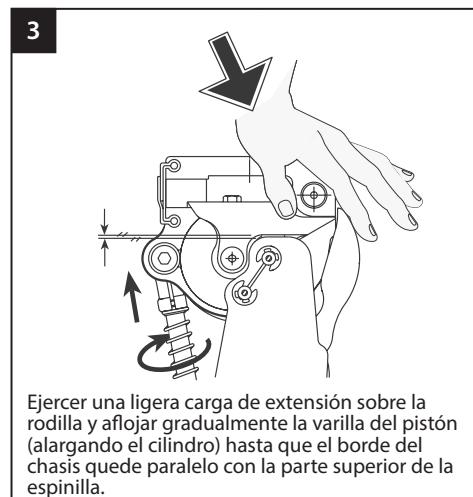
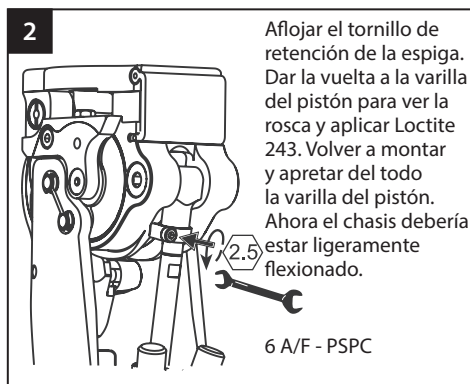
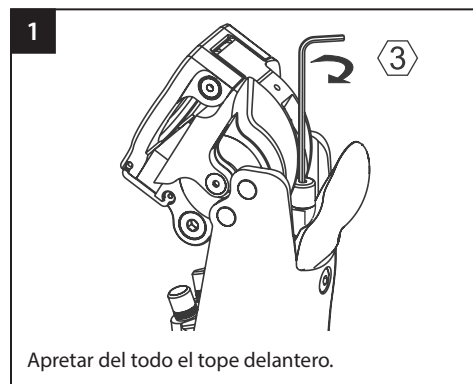
Flexión de la rodilla tras el golpe de talón



9.2 Ajuste del tope delantero - Espiga ajustable

Las instrucciones de esta sección están dirigidas exclusivamente al profesional sanitario.

Instalada en el PSPC



Ajuste del tope delantero - Prótesis inteligente no ajustable

(montada en los modelos SmartIP antiguos).

No es necesario realizar ningún ajuste cuando se utilizan estos cilindros. Necesitan que el tope delantero esté apretado del todo como se muestra en la fase 1.

9.3 Ajustes adicionales

Las instrucciones de esta sección están dirigidas exclusivamente al profesional sanitario.

Síntoma	Solución
La rodilla no se estabiliza	Aumentar la sensibilidad
	Desplazar el encaje en sentido anterior
	Sustituir el mecanismo estabilizador si el borde posterior del freno está dañado
	Comprobar la goma Stanceflex y sustituirla si resulta necesario (consultar el grosor mínimo durante la compresión en el apartado <i>Flexión de la rodilla tras el golpe de talón</i>)
La rodilla no se desacopla	Reducir la sensibilidad
	Comprobar que el ajuste de la longitud de la varilla del pistón sea correcto
	Desplazar el encaje en sentido posterior
El talón se eleva demasiado durante el balanceo	Consultar las instrucciones de uso del cilindro de control
El talón está demasiado bajo durante el balanceo	Consultar las instrucciones de uso del cilindro de control
El usuario experimenta impacto terminal	Consultar las instrucciones de uso del cilindro de control
El dispositivo no se extiende del todo durante el balanceo	Consultar las instrucciones de uso del cilindro de control

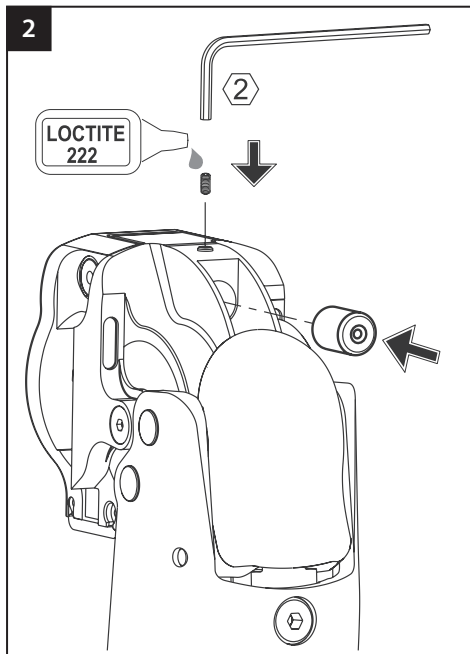
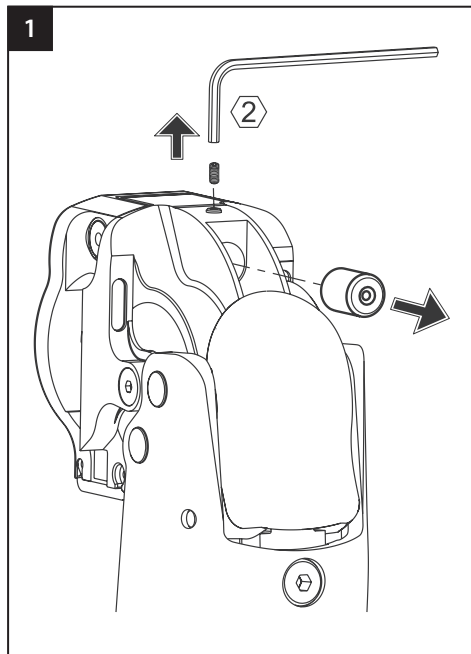
Si, tras seguir estas instrucciones, aún experimenta problemas de funcionamiento, póngase en contacto con el equipo comercial de su zona geográfica para que le asesoren.

10 Instrucciones de montaje

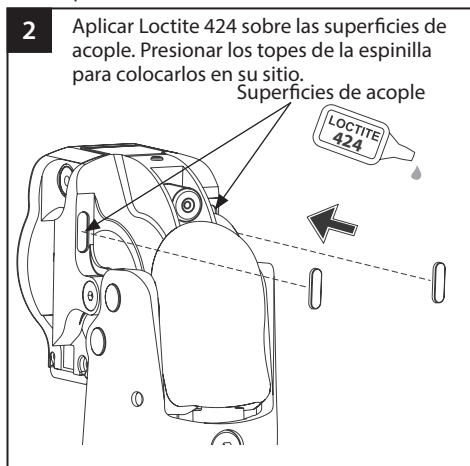
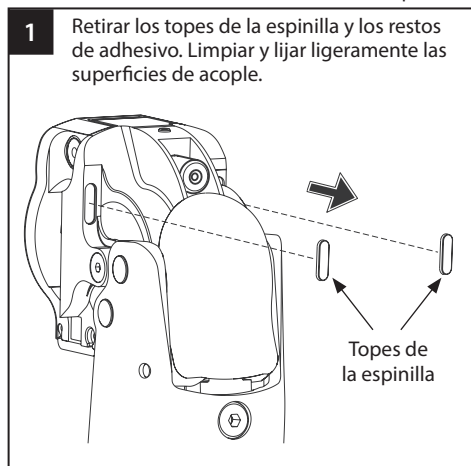
Las instrucciones de esta sección están dirigidas exclusivamente al profesional sanitario.

10.1 Sustitución del tope amortiguador delantero

Tras instalar un nuevo tope delantero, reajustarlo siempre y, si procede, comprobar la longitud del cilindro si lleva instalada una espiga ajustable (véase la página anterior).

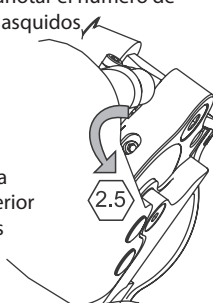
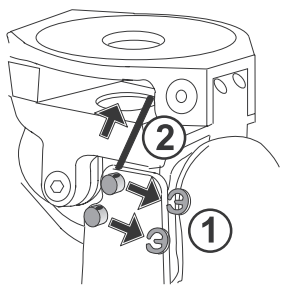
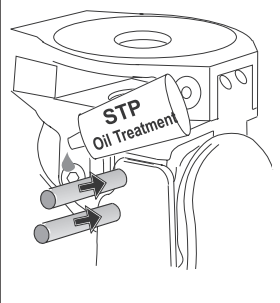
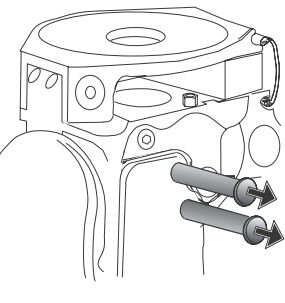
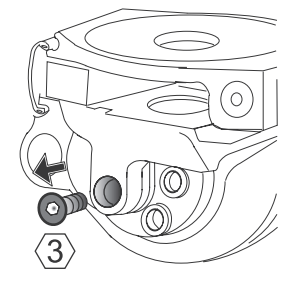
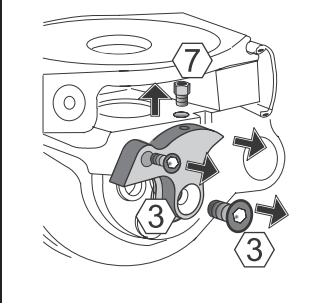
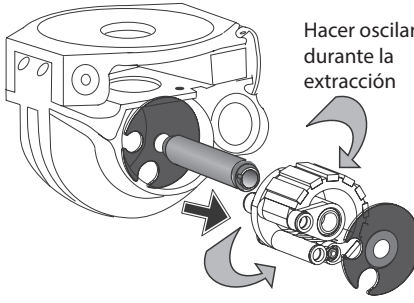
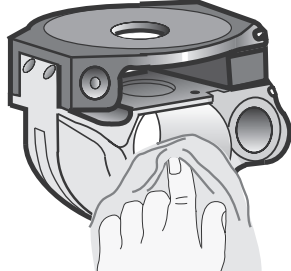


10.2 Sustitución de los topes de la espigalla



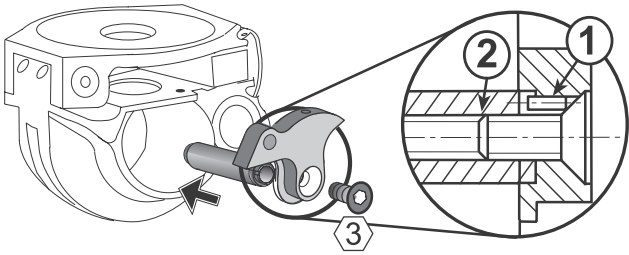
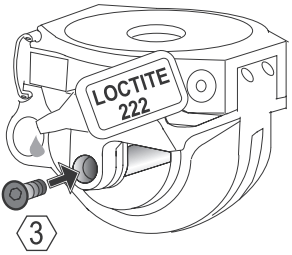
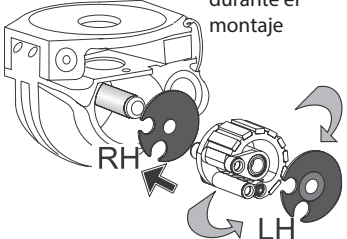
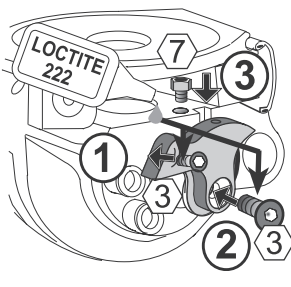
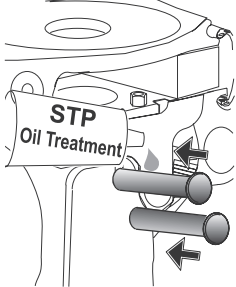
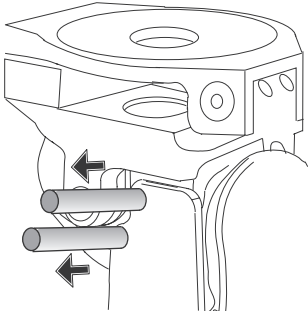
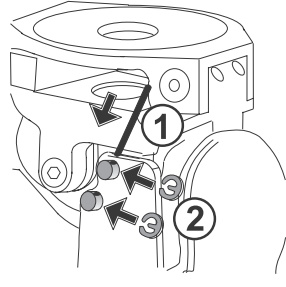
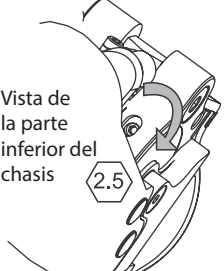
10.3 Extracción del mecanismo ESK+

Las instrucciones de esta sección están dirigidas exclusivamente al profesional sanitario.

<p>1 Retirar toda la precarga y anotar el número de chasquidos.</p>  <p>Vista de la parte inferior del chasis</p>	<p>2</p> 	<p>3</p> 
<p>4</p> 	<p>5</p> 	<p>6</p> 
<p>7</p>  <p>Hacer oscilar durante la extracción</p> <p>El material de la banda de frenado puede limpiarse frotando con papel; no utilizar disolventes.</p>	<p>8</p>  <p>Limpiar el diámetro interno con un disolvente adecuado</p>	

10.4 Volver a instalar el mecanismo ESK+

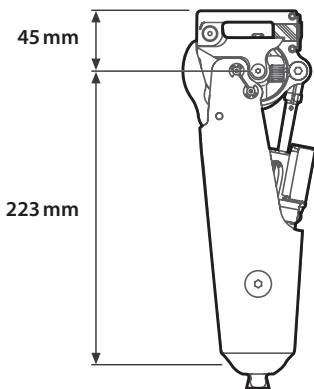
Las instrucciones de esta sección están dirigidas exclusivamente al profesional sanitario.

<p>1</p>  <p>Orientar la placa lateral hacia arriba para alinear la ranura del husillo (2) con el bulón (1), pero no acoplarlos todavía.</p>	<p>2</p>  <p>Atornillar el husillo en el chasis.</p>	
<p>3</p> <p>Hacer oscilar durante el montaje</p>  <p>LA ORIENTACIÓN ES IMPORTANTE. Montar los lados planos y las letras (RH, LH) mirando hacia dentro.</p>	<p>4</p> 	<p>5</p> 
<p>6</p> 	<p>7</p> 	<p>8 Volver a aplicar toda la precarga con el número de chasquidos anotado anteriormente.</p> <p>Vista de la parte inferior del chasis</p> 

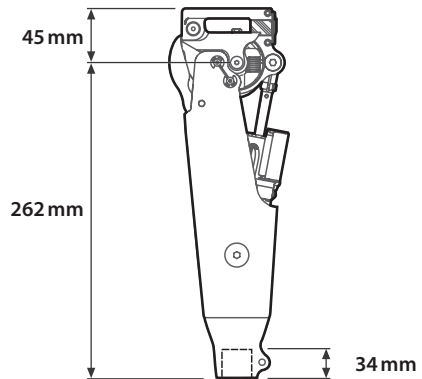
11 Datos técnicos

Rango de temperaturas de funcionamiento y almacenaje:	De -15°C a 50°C
Peso del componente:	
SmartIP	1,27 kg
PSPC	1,13 kg
Nivel de actividad:	2-3 (4)
Peso máximo del usuario:	
Niveles de actividad 2-3	125 kg
Nivel de actividad 4	100 kg
Máximo ángulo de flexión:	140°
Sujeción de alineación proximal:	Un solo perno (Blatchford)
Sujeción de alineación distal:	Abrazadera para tubo de 30 mm o pirámide macho (Blatchford)
Altura de la prótesis:	Ver los diagramas siguientes.

Longitud de montaje



**ESK+ Stanceflex
con pirámide distal**



**ESK+ Stanceflex con
abrazadera para tubo distal
de 30 mm**

12 Información para pedidos

Ejemplo de pedido

	ESK+ con Stanceflex							
	Abrazadera para tubo distal de 30 mm				Pirámide distal			
Cilindro neumático	ESK	SF	P	30	ESK	SF	P	PYR
	ESK+	Stanceflex	PSPC	Abrazadera para tubo distal de 30 mm	ESK+	Stanceflex	PSPC	Pirámide distal
Rodilla SmartIP	SMARTIP	SF		30	SMARTIP	SF		PYR
	Rodilla SmartIP	Stanceflex		Abrazadera para tubo distal de 30 mm	Rodilla SmartIP	Stanceflex		Pirámide distal
Sin cilindro de control	ESK	SF		30	ESK	SF		PYR
	ESK+	Stanceflex		Abrazadera para tubo distal de 30 mm	ESK+	Stanceflex		Pirámide distal

Piezas de repuesto

Artículo	Ref.
Conjunto de rodilla Stanceflex	239149
Clavija de alineación para mecanismo ESK	234914
Almohadilla de tope delantero	234903
Kit de mecanismo estabilizador ESK+	239949
Tope de espinilla	233810

Goma Stanceflex

Artículo	Ref.
25° rosa (blanda)	231608
35° blanco	231606
45° naranja (montada de serie)	231607
70° azul (dura)	231609

Responsabilidad

El fabricante recomienda utilizar el dispositivo únicamente en las condiciones especificadas y para el fin previsto. El mantenimiento del dispositivo debe llevarse a cabo de acuerdo con las instrucciones de uso suministradas con él. El fabricante no se hace responsable de ningún resultado adverso que pueda surgir de una combinación de componentes que no haya autorizado previamente.

Conformidad CE

Este producto cumple los requisitos del Reglamento (UE) 2017/745 sobre los productos sanitarios. Este producto está clasificado como dispositivo de Clase I según las normas de clasificación estipuladas en el Anexo VIII del reglamento. El certificado y la declaración de conformidad de la UE pueden consultarse en la siguiente dirección de Internet:

www.blatchford.co.uk



Dispositivo médico



Para uso en un solo paciente
- uso múltiple

Compatibilidad

Está autorizada la combinación con productos de la marca Blatchford basándose en pruebas según las normas correspondientes y el MDR, incluidas pruebas estructurales, de compatibilidad dimensional y de rendimiento supervisado sobre el terreno.

La combinación con productos alternativos con marcado CE debe llevarse a cabo de acuerdo con una evaluación de riesgos local documentada por un profesional sanitario.

Garantía

Este dispositivo tiene 24 meses de garantía (12 meses para la banda de frenado).

El usuario debe tener en cuenta que todo cambio o modificación que no haya sido expresamente aprobado podría invalidar la garantía, autorizaciones de explotación y excepciones.

Consultar la declaración de garantía completa vigente en la página web de Blatchford.

Notificación de incidentes graves

En el caso poco probable de que se produzca un incidente grave relacionado con este dispositivo, se deberá notificar al fabricante y a la autoridad competente nacional.

Aspectos medioambientales

Este producto contiene aceite hidráulico, metales mixtos y plásticos. Siempre que sea posible, los componentes se deben reciclar de acuerdo con el reglamento local de gestión de residuos.

Conservar la etiqueta del embalaje

Aconsejamos al profesional sanitario conservar la etiqueta del embalaje como recordatorio del dispositivo suministrado.

Dirección registrada del fabricante

Blatchford Products Limited, Lister Road, Basingstoke, RG22 4AH (REINO UNIDO).

Marcas comerciales

Blatchford es una marca registrada de Blatchford Products Limited.

Inhoud.....	92
1 Beschrijving en beoogd gebruik	93
2 Veiligheidsinformatie.....	95
3 Constructie	96
4 Functie.....	97
5 Onderhoud.....	97
6 Beperkingen bij het gebruik	98
7 Uitlijning bench	99
8 Advies over uitlijnen en afstellen stabiliteit.....	100
9 Advies voor aanmeten	101
9.1 Vervangen van Stanceflex-rubbers	101
9.2 Afstellen voorstop - Afstelbare tap	102
9.3 Verdere instellingen	103
10 Montage-instructies.....	104
10.1 Vervangen van voorstop	104
10.2 Vervangen van scheenstoppen	104
10.3 Verwijderen van ESK+-mechanisme	105
10.4 Vervangen van ESK+-mechanisme.....	106
11 Technische gegevens.....	107
12 Bestelinformatie	108

1 Beschrijving en beoogd gebruik

Deze gebruiksaanwijzing is bedoeld voor gebruik door de behandelaar en de gebruiker, tenzij anders aangegeven.

De term hulpmiddel wordt in deze instructies gebruikt om te verwijzen naar de Stanceflex ESK+-producten.

Lees deze gebruiksaanwijzing door en waarborg dat u alles begrijpt; in het bijzonder de veiligheidsinformatie en de instructies voor onderhoud.

Toepassing

Dit hulpmiddel mag uitsluitend worden gebruikt als onderdeel van een prothese van een onderste ledemaat.

Dit hulpmiddel is bedoeld voor gebruik bij één persoon.

Het hulpmiddel is een uniaxiale, gewicht-geactiveerde gestabiliseerde knie met geïntegreerd standflexie-element, en is bedoeld voor het verhogen van de veiligheid en het verminderen van compensatie.

De scheen kan worden gemonteerd met een PSPC ('Pneumatic Swing Phase Control', pneumatische zwaaieregeling), of SmartIP ('Smart Intelligent Prothesis', slimme intelligente prothese) of worden geleverd zonder een cilinder.

Een rubberen element aan de achterzijde van het kniechassis zorgt voor extra standflexie.

Kenmerken

	Handmatig instelbare PSPC	Microprocessor-gestuurde SmartIP
Standflexie bij dragen van gewicht	✓	✓
Stevig frame van koolstofvezel	✓	✓
140 graden knieflexie	✓	✓
Instelbare gevoeligheid van de kniestabiliteit	✓	✓
Onafhankelijke, handmatig instelbare zwaaieregeling voor buigen en strekken	✓	
Microprocessorgestuurde zwaaieregeling van de buiging met handmatig instelbare demping van eindimpact bij strekken		✓

Activiteitenniveau

Dit hulpmiddel is voor gebruikers met activiteitenniveau 2, 3 en 4 (er zijn gewichtslimieten van toepassing, raadpleeg *Technische gegevens*).

Dit hulpmiddel is mogelijk niet geschikt voor gebruikers van activiteitenniveau 1, of voor gebruik in sportevenementen in wedstrijdverband. Deze typen gebruikers zijn mogelijk beter gediend met een speciaal voor hun behoeften geoptimaliseerde prothese.

Activiteitenniveau 1

Heeft het vermogen of de potentie om een prothese te gebruiken voor transfers of lopen over een vlakke ondergrond met een vaste cadans. Typisch voor mensen die korte en langere afstanden kunnen overbruggen.

Activiteitenniveau 2

Heeft het vermogen of de potentie om te lopen over een ondergrond met lage obstakels, zoals stoepranden, trappen of ongelijke ondergrond. Typisch voor mensen die in de omgeving korte afstanden kunnen overbruggen.

Activiteitenniveau 3

Heeft het vermogen of de potentie om te lopen met variabele cadans. Typisch voor mensen die in de omgeving langere afstanden kunnen overbruggen inclusief de meeste obstakels die in de omgeving aanwezig zijn en die te maken hebben met beroepsmatige, therapeutische of inspanningsactiviteiten waarbij er meer eisen aan het gebruik van de prothese worden gesteld dan bij gewoon lopen.

Activiteitenniveau 4

Heeft het vermogen of de potentie om meer activiteiten met een prothese te ondernemen dan alleen lopen; dit betreft activiteiten met een hoog impact-, spannings- of energieniveau. Typisch voor eisen die kinderen, actieve volwassenen of atleten aan een prothese stellen.

Klinische voordelen

- De gewicht-geactiveerde standregeling en instelbare zwaaieregeling bieden een soepele loopgang met een vrije knie.
- Stanceflex verbetert de schokabsorptie.
- Met microprocessorgestuurde zwaaieregeling maakt optimale loopgangkarakteristieken mogelijk bij verschillende loopsnelheden. (alleen SmartIP)

Contra-indicaties

Dit hulpmiddel is niet geschikt voor:

- Gebruikers met extreme spierzwakte, contracturen die niet op een juiste manier kan worden geacommodeerd, of proprioceptieve disfunctie, waaronder evenwichtsproblemen.
- Gebruikers met contralaterale instabiliteit of pathologie van gewrichten.
- Gebruikers met gecompliceerde aandoeningen met meerdere handicaps.
- Gebruikers, waaronder gebruikers met bilaterale transfemorale amputatie, die behoefte hebben aan een verende werking van de knie om een trap af te dalen of te gaan zitten. Dit kan zorgen voor schade aan het remmechanisme, wat de stabiliteit en duurzaamheid negatief kan beïnvloeden.



Gebruikers moeten voor het gebruik van dit hulpmiddel looptraining hebben gehad.



Zorg ervoor dat de gebruiker alle gebruiksaanwijzingen begrijpt en vooral aandacht besteedt aan alle paragrafen met informatie over onderhoud en veiligheid.

2 Veiligheidsinformatie



Dit waarschuwingsymbool geeft belangrijke veiligheidsinformatie aan.



Houd te allen tijde rekening met het feit dat vingers bekneld kunnen komen te zitten.



Elke verandering in de prestaties of werking van de ledemaat, zoals instabiliteit, dubbele werking, beperking in beweging, niet soepel bewegen of ongebruikelijke geluiden, moet onmiddellijk worden gemeld aan de serviceprovider.



Gebruik bij het aflopen van een trap altijd de leuning en indien mogelijk ook bij andere activiteiten.



Buitensporige veranderingen in de hielhoogte na het afronden van de uitlijning kunnen de werking van de ledemaat nadelig beïnvloeden.



Zorg ervoor dat tijdens het besturen van motorvoertuigen alleen gebruik wordt gemaakt van geschikte aangepaste voertuigen. Iedereen dient zich bij het besturen van motorvoertuigen aan de geldende verkeersregels te houden.



Men dient voorzichtig te zijn bij het dragen van een zware last, omdat dit de stabiliteit van het hulpmiddel negatief kan beïnvloeden.



De gebruiker moet worden geadviseerd om contact op te nemen met de behandelaar als zijn/haar toestand verandert.



Blootstelling aan extreme hitte en/of kou vermijden.



Montage, onderhoud en reparatie van het hulpmiddel mogen alleen worden uitgevoerd door een hiervoor gekwalificeerde behandelaar.

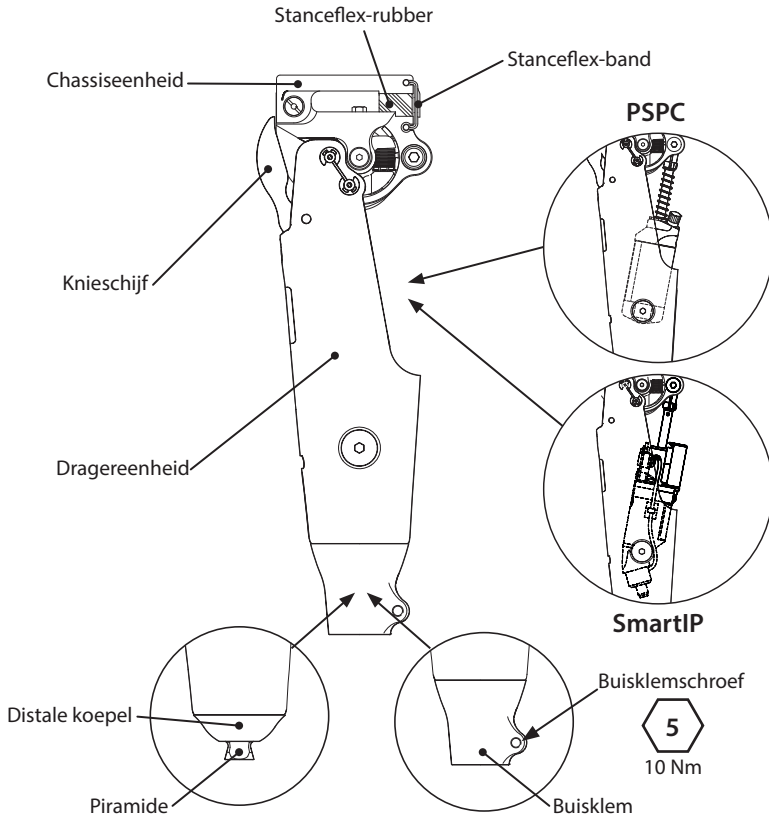


Het hulpmiddel is niet bedoeld voor gebruik ondergedompeld in water of als doucheprothese. Als de ledemaat in contact komt met water, veeg deze dan onmiddellijk droog.

3 Constructie

Belangrijkste onderdelen

- Dragereenheid Koolstofvezelcomposiet en RVS
- Chassiseenheid Aluminiumlegering, RVS, technisch thermoplastic, vezelversterkt (asbestvrij) wrijvingsmateriaal.
- Distale koepel Aluminiumlegering
- Distale piramide Titanium met RVS-bout
- Distale buisklem Aluminiumlegering
- Knieschijf Technisch thermoplastic
- Stanceflex-rubber Natuurlijk rubber
- Stanceflex-band Kevlar
- PSPACE Aluminiumlegering, RVS, titanium, technisch thermoplastic
- Regelcilinder SmartIP Aluminiumlegering, RVS, titanium, technisch thermoplastic
Elektronische componenten en batterijen



4 Functie

De knie heeft een uniaxiaal ontwerp, bestaande uit een chassis en een drager die via een kniedraaipunt met elkaar zijn verbonden. In het chassis bevindt zich een door gewicht geactiveerd mechanisme voor stabilisatie van de knie. Het kniechassis beschikt over een op een draaipunt aangesloten bovenplaat die wordt gesteund door een verend rubberen blok. Dit zorgt bij belasting voor een standflexie en absorbeert schokbelasting bij het neerkomen van de hiel.

Binnen dit frame bevindt zich een knieregelcilinder die tussen het posterieure draaipunt van het chassis en het distale draaipunt van de drager is gemonteerd.

De PSPC-cilinder beschikt over handmatig afstelbare ventielen die zelfstandige regeling van buig- en strekweerstand tijdens de zwenkfase bieden.

De SmartIP-regelcilinder maakt gebruik van sensoren binnen de cilinder voor het bewaken van de loopsnelheid en past automatisch de flexieweerstand aan. Strekkingsregeling vindt plaats via een vaste instelling van een eindimpactdemper.

5 Onderhoud

Voer regelmatig een visuele controle van het hulpmiddel uit.

Meld elke verandering in prestaties van dit hulpmiddel aan de behandelaar/serviceprovider, zoals ongebruikelijke geluiden, toegenomen stijfheid of beperkte/overmatige rotatie, significante slijtage of overmatige verkleuring als gevolg van lange blootstelling aan UV-straling.

Informeer de behandelaar/leverancier over elke verandering in lichaamsgewicht en/of activiteitsniveau.

Reiniging

Gebruik een vochtige doek en een mild reinigingsmiddel om de buitenoppervlakken te reinigen. Gebruik geen agressieve reinigingsmiddelen.

De resterende instructies in dit hoofdstuk zijn alleen bedoeld voor gebruik door de behandelaar.

Dit onderhoud mag alleen worden uitgevoerd door competent personeel (behandelaar of een hiervoor opgeleide technicus).

Voor optimale prestaties wordt een periodieke inspectie voor onaanvaardbaar lawaai, onaanvaardbare speling en stabiliteit aanbevolen. De periode tussen inspecties wordt bepaald door factoren zoals de activiteit van de gebruiker, de frequentie van gebruik en de stabiliteitsinstelling van de knie.

Als vuistregel geldt dat indien de instelling 6 posities of meer is en de gebruiker per jaar een gemiddelde van 600.000 stappen neemt, er een jaarlijkse inspectie wordt aanbevolen.

Indien de stabiliteitsinstelling minder dan 6 posities is en/of de gebruiker gemiddeld minder stappen neemt, kan de periode tussen inspecties langer zijn.

Voor het bepalen van het aantal stappen wordt het gebruik van een Limb Activity Monitor (bewaking voor ledemaatactiviteit) aanbevolen.

Voor een optimale stabiliteit en duurzaamheid raden we aan om de knie af te stellen op de persoonlijke stabiliteitsvereisten van de gebruiker. Zie het stroomdiagram of de handleiding voor instellen.

Bij deze inspecties:

- Controleer op zichtbare defecten die van invloed kunnen zijn op een juiste werking.
- Controleer op M-L-sparing van het chassis en een overmatige compressie van het Stanceflex-rubber. Vervang de lagers en het Stanceflex-rubber indien nodig.
- Controleer de voorstop en vervang deze indien nodig.
- Controleer de scheenstoppen en vervang deze indien nodig.
- Demonteer het kniemechanisme, reinig het, en monteer het weer.

Adviseer de gebruiker om het hulpmiddel regelmatig visueel te controleren; eventuele veranderingen in de prestaties van dit hulpmiddel moeten aan de behandelaar worden gemeld. Veranderingen in de prestaties kunnen onder andere zijn: een toename of afname in stijfheid van de knie, instabiliteit, verminderde kniesteun (vrije beweging) en eventueel ongebruikelijke geluiden.

Als het hulpmiddel wordt gebruikt voor extreme activiteiten, moeten het onderhoudsniveau en -interval worden herzien en moet zo nodig technische ondersteuning worden gevraagd voor het opstellen van een nieuw onderhoudsschema afhankelijk van de aard en de frequentie van de activiteiten. Dit moet worden bepaald door een risicobeoordeling ter plaatse die door een daarvoor gekwalificeerde persoon wordt uitgevoerd.

Opslag en hantering

Bij langdurige opslag dient het hulpmiddel droog te worden gehouden, binnen een temperatuurbereik van -15 °C tot 50 °C.

Maak gebruik van de meegeleverde verpakking van het product.

6 Beperkingen bij het gebruik

Beoogde levensduur:

Er moet ter plaatse een risicobeoordeling worden uitgevoerd op basis van de activiteiten en het gebruik.

Zwaar tillen

Het gewicht van de gebruiker en de belasting worden bepaald door de aangegeven limieten.

Het tillen en dragen van zware lasten door de gebruiker moet zijn gebaseerd op een risicobeoordeling ter plaatse.

Milieu:

Vermijd blootstelling van het hulpmiddel aan corrosieve elementen zoals water, zuur of andere vloeistoffen.

Vermijd ook omgevingen met schurende materialen, zoals zand; dit kan leiden tot vroegtijdige slijtage.

Uitsluitend voor gebruik bij temperaturen tussen -15 °C en 50 °C.



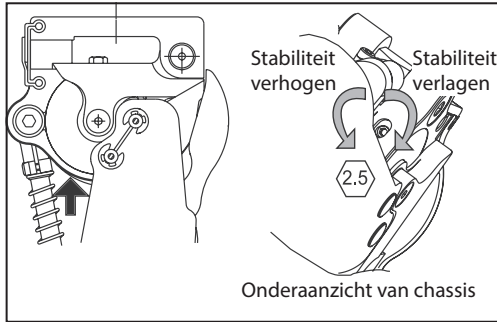
Geschikt voor gebruik buitenshuis

7 Uitlijning bench

De instructies in dit hoofdstuk zijn alleen bedoeld voor gebruik door de behandelaar.

Proeflopen

Instelling veereenheid



Strek de ledemaat geheel uit om bij de instelling te komen.

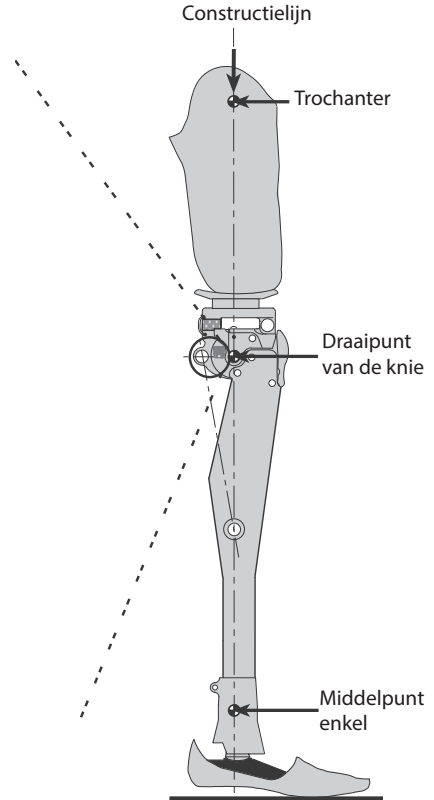
Draai de **INSTELLING VOOR VEEREENHEID** om de benodigde stabiliteit voor de betreffende gebruiker te verkrijgen.

Opmerking... Bij het instellen moet u de klikken kunnen horen, en de instel-eenheid vergrendelt zelf.

Draai de **VEEREENHEID** vast om de stabiliteit te verlagen.

Draai de **VEEREENHEID** los om de stabiliteit te verhogen – zie hierboven.

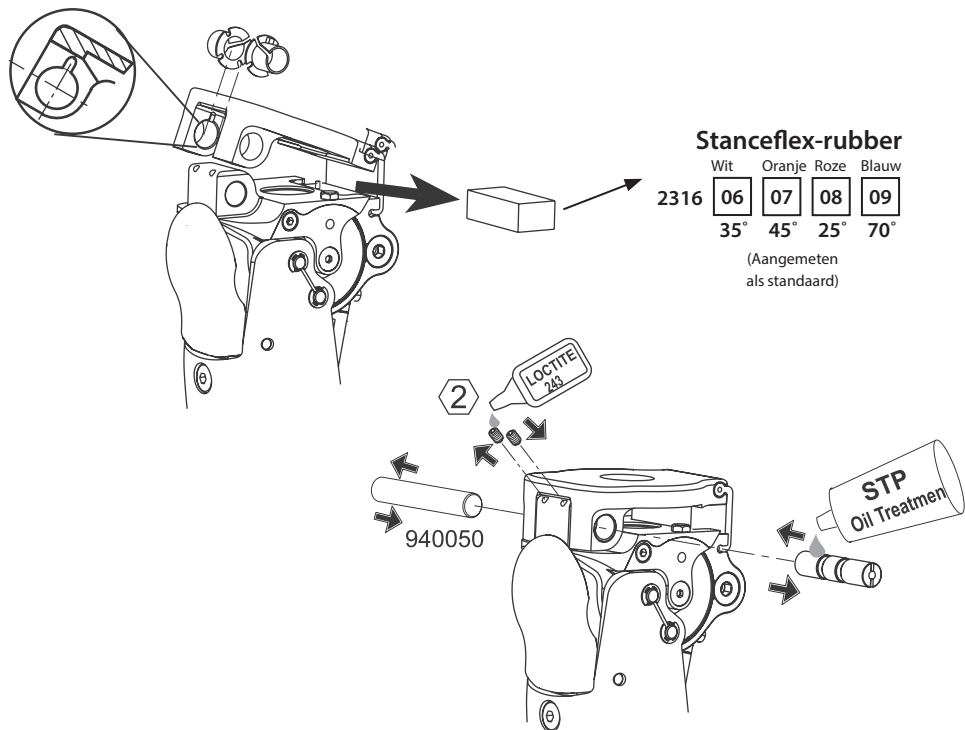
Indien nodig kan de instelling naar de fabrieksinstelling worden teruggezet. Dit kan worden bereikt door de stabiliteit met zes hoorbare klikken vanuit de instelling voor maximale stabiliteit te verlagen.



9 Advies voor aanmeten

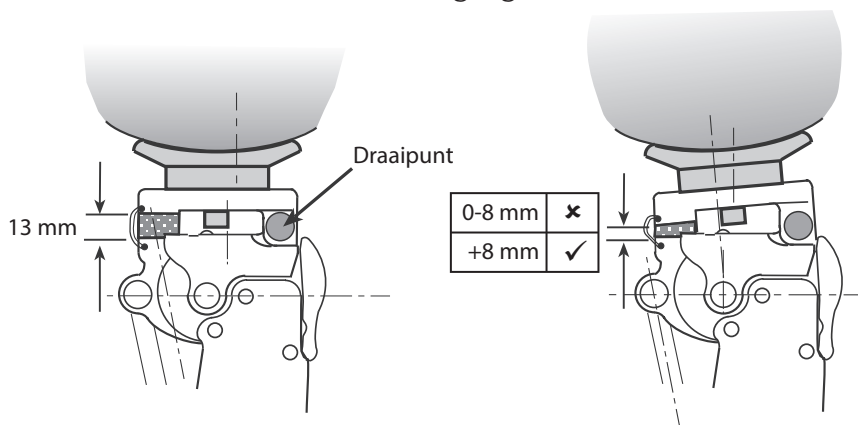
De instructies in dit hoofdstuk zijn alleen bedoeld voor gebruik door de behandelaar.

9.1 Vervangen van Stanceflex-rubbers



In stand

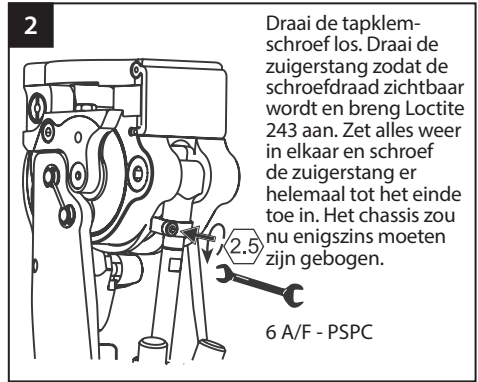
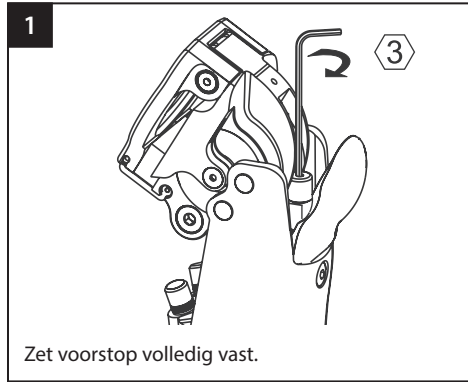
Kniebuiging na het neerkomen van de hiel



9.2 Afstellen voorstop - Afstelbare tap

De instructies in dit hoofdstuk zijn alleen bedoeld voor gebruik door de behandelaar.

Gemonteerd op de PSPC



Afstellen voorstop - Niet-afstelbare intelligente prothese

(Zoals gemonteerd op oudere SmartIP-modellen)

Bij het gebruik van de cilinders is geen afstelling nodig. Hiervoor moet de voorstop geheel zijn vastgezet, zoals weergegeven in Fase 1.

9.3 Verdere instellingen

De instructies in dit hoofdstuk zijn alleen bedoeld voor gebruik door de behandelaar.

Symptoom	Oplossing
De knie stabiliseert niet	Verhoog de gevoeligheid
	Verschuif de koker anterior
	Vervang het stabilisatiemechanisme indien de achterkant van de rem is beschadigd
	Controleer het Stanceflex-rubber en vervang dit indien nodig (zie de minimale dikte bij compressie in het onderdeel <i>Kniebuiging na het neerkomen van de hiel</i>)
De knie laat niet los	Verlaag de gevoeligheid
	Controleer of de lengte van de zuigerstang juist is afgesteld
	Verschuif de koker posterior
Tijdens de zwaai is de hielheffing te hoog	Zie gebruikshandleiding regelcilinder
Tijdens de zwaai is de hielheffing te laag	Zie gebruikshandleiding regelcilinder
De gebruiker ervaart eindimpact	Zie gebruikshandleiding regelcilinder
Het hulpmiddel strekt zich tijdens de zwaai niet helemaal uit	Zie gebruikshandleiding regelcilinder

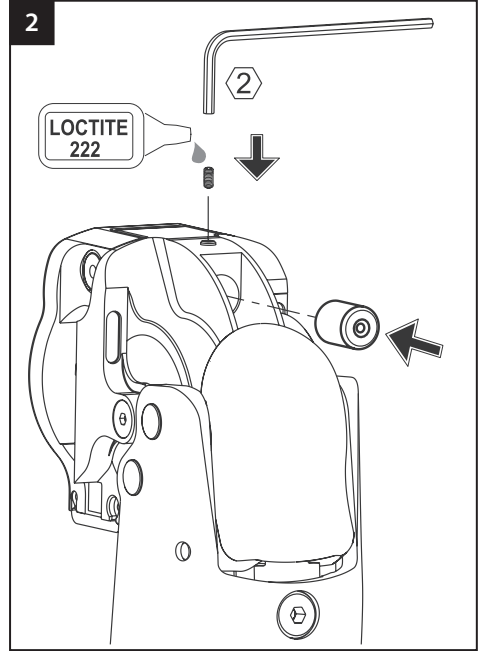
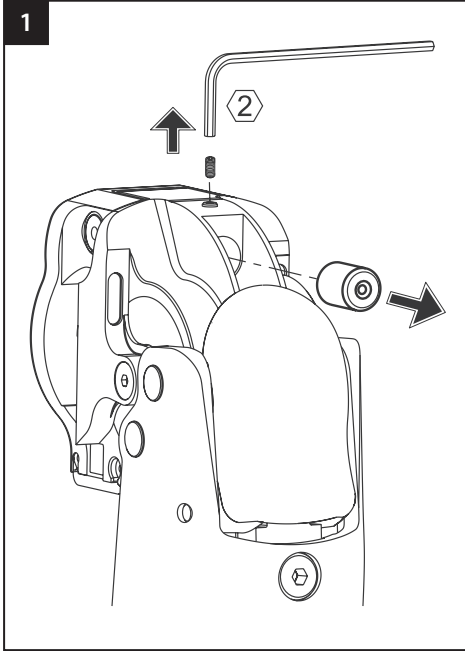
Indien u na het volgen van deze instructies nog steeds problemen met de werking ervaart, kunt u contact opnemen met het verkoopteam in uw regio voor meer informatie.

10 Montage-instructies

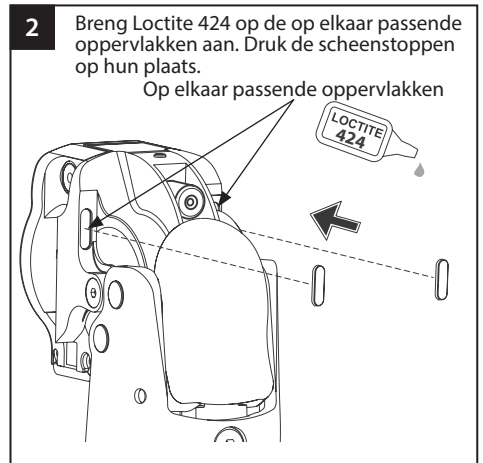
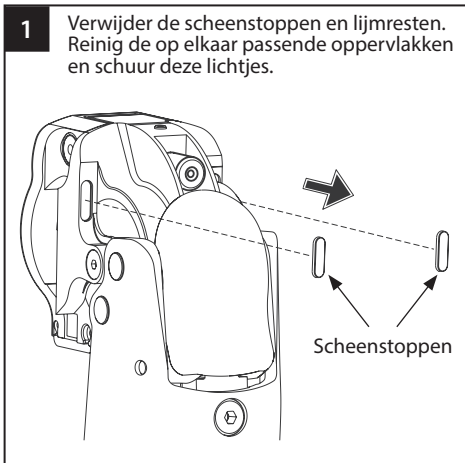
De instructies in dit hoofdstuk zijn alleen bedoeld voor gebruik door de behandelaar.

10.1 Vervangen van voorstop

Bij het monteren van een nieuwe voorstop dient u deze altijd weer af te stellen, en indien van toepassing de lengte van de cilinder te controleren, indien deze met een afstelbare tap is uitgerust. (Zie de vorige pagina.)


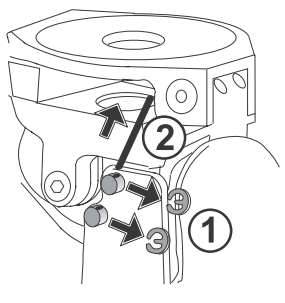
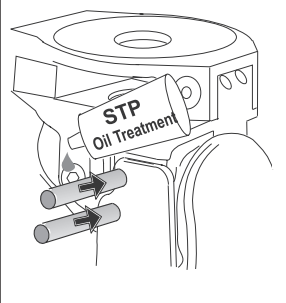
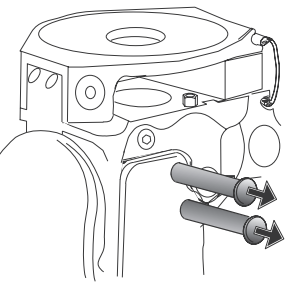
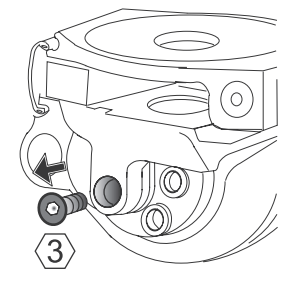
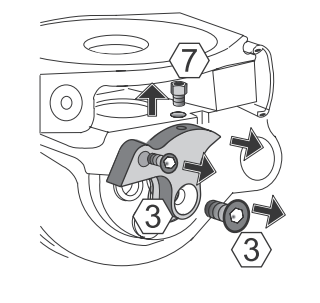
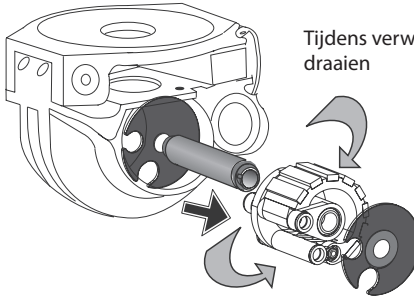
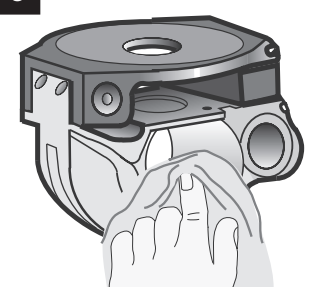


10.2 Vervangen van scheenstoppen



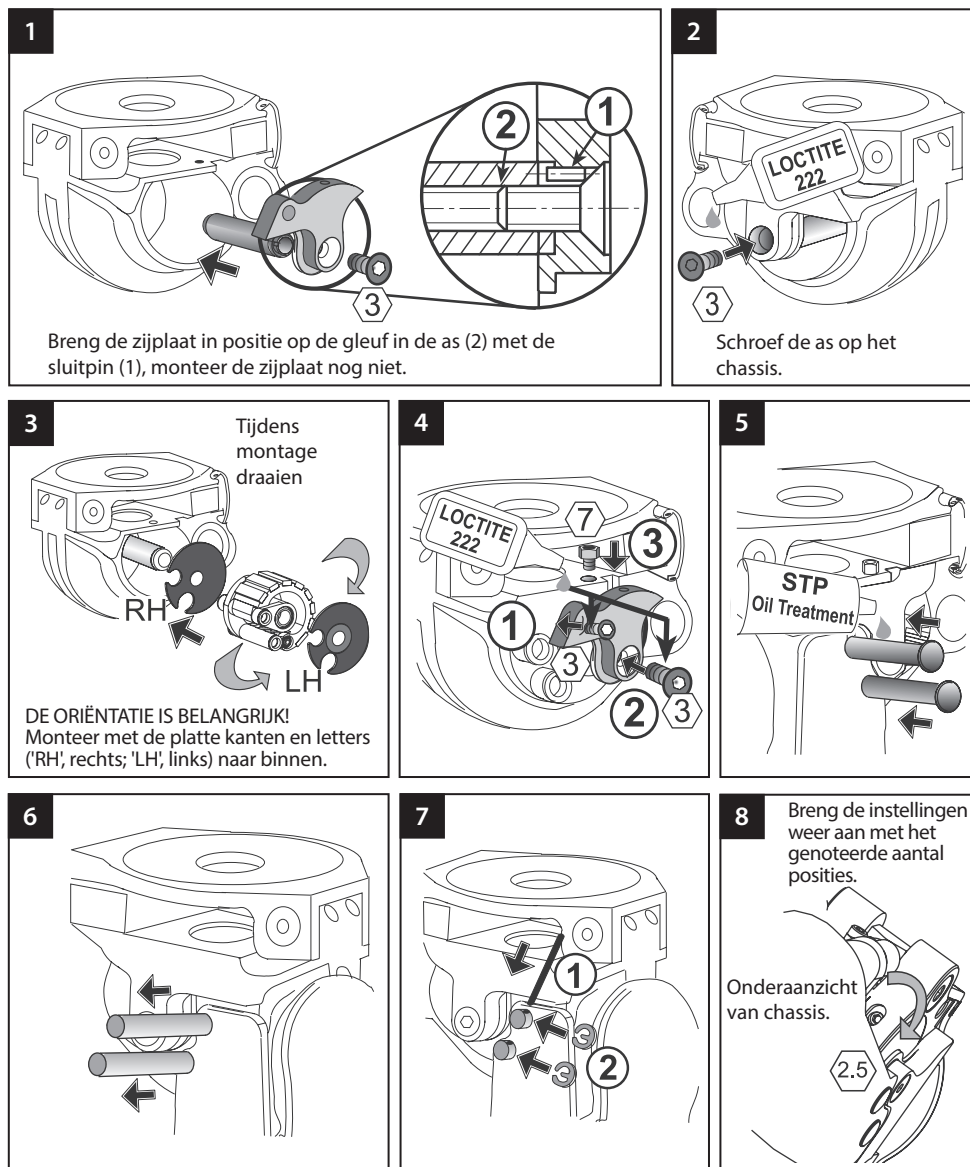
10.3 Verwijderen van ESK+-mechanisme

De instructies in dit hoofdstuk zijn alleen bedoeld voor gebruik door de behandelaar.

<p>1 Verwijder de instellingen en noteer het aantal posities.</p> <p>Onderaanzicht van chassis</p> 	<p>2</p> 	<p>3</p> 
<p>4</p> 	<p>5</p> 	<p>6</p> 
<p>7</p>  <p>Tijdens verwijderen draaien</p> <p>Het rembandmateriaal mag met papier worden schoongeveegd; gebruik geen reinigingsmiddelen.</p>		<p>8</p>  <p>Reinig het boorgat met een geschikt reinigingsmiddel.</p>

10.4 Vervangen van ESK+-mechanisme

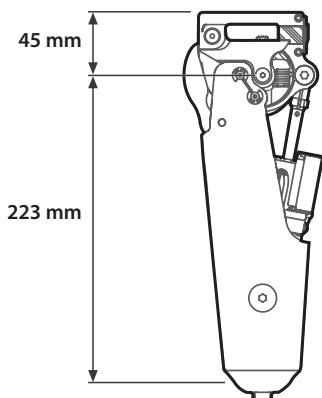
De instructies in dit hoofdstuk zijn alleen bedoeld voor gebruik door de behandelaar.



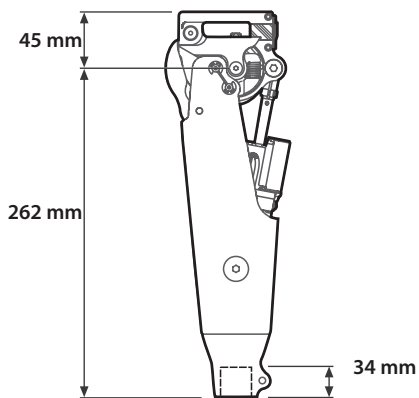
11 Technische gegevens

Temperatuurbereik voor gebruik en opslag:	-15 °C tot 50 °C
Gewicht component:	
SmartIP	1,27 kg
PSPC	1,13 kg
Activiteitsniveau:	2 tot 3 (4)
Maximaal gewicht gebruiker:	
Activiteitsniveau 2 tot 3	125 kg
Activiteitsniveau 4	100 kg
Maximale buighoek:	140°
Bevestiging proximale uitlijning:	Enkele bout (Blatchford)
Bevestiging distale uitlijning:	Buisklem van 30 mm of mannelijke piramide (Blatchford)
Constructiehoogte:	Zie de onderstaande diagrammen.

Inbouwlengthe



**ESK+ Stanceflex
met distale piramide**



**ESK+ Stanceflex met distale
buisklem van 30 mm**

12 Bestelinformatie

Voorbeeld voor bestellen

	ESK+ met Stanceflex							
	Distale buisklem van 30 mm				Distale piramide			
Pneumatische cilinder	ESK	SF	P	30	ESK	SF	P	PYR
	ESK+	Stanceflex	PSPC	Distale buisklem van 30 mm	ESK+	Stanceflex	PSPC	Distale piramide
SmartIP-knie	SMARTIP	SF	30	SMARTIP	SF	PYR		
	SmartIP-knie	Stanceflex	Distale buisklem van 30 mm	SmartIP-knie	Stanceflex	Distale piramide		
Geen regelcilinder gemonteerd	ESK	SF	30	ESK	SF	PYR		
	ESK+	Stanceflex	Distale buisklem van 30 mm	ESK+	Stanceflex	Distale piramide		

Vervangingsonderdelen

Artikel	Ond. nr.
Stanceflex-knie-eenheid	239149
Uitlijpen ESK-mechanisme	234914
Voorstootblok	234903
ESK+-stabilisatiemechanismeset	239949
Scheenbeenstopper	233810

Stanceflex-rubber

Artikel	Ond. nr.
25° roze (zacht)	231608
35° wit	231606
45° oranje (standaard gemonteerd)	231607
70° blauw (hard)	231609

Aansprakelijkheid

De fabrikant raadt aan het hulpmiddel alleen onder de gespecificeerde omstandigheden en voor de beoogde doeleinden te gebruiken. Het hulpmiddel moet worden onderhouden volgens de bij het hulpmiddel geleverde gebruiksaanwijzing. De fabrikant is niet aansprakelijk voor enig negatief resultaat dat wordt veroorzaakt door combinaties van componenten die niet door de fabrikant zijn geautoriseerd.

CE-conformiteit

Dit product voldoet aan de eisen van de Europese Verordening EU 2017/745 voor medische hulpmiddelen. Dit product is geclassificeerd als product van klasse I volgens de classificatiecriteria zoals uiteengezet in bijlage IX van de verordening. Het certificaat van de EU-conformiteitsverklaring is beschikbaar op het volgende internetadres: www.blatchford.co.uk



Medisch hulpmiddel



Eén patiënt - meervoudig gebruik

Compatibiliteit

Het combineren met producten van het merk Blatchford is goedgekeurd op basis van testen in overeenstemming met relevante normen en de MDR, waaronder structurele testen, compatibiliteit in afmetingen en gemonitorde prestaties in het veld.

Het combineren met alternatieve producten met een CE-markering moet worden uitgevoerd op basis van een gedocumenteerde risicobeoordeling ter plaatse die door een behandelaar is uitgevoerd.

Garantie

Dit hulpmiddel heeft een garantie van 24 maanden, de remband heeft een garantie van 12 maanden.

De gebruiker moet zich ervan bewust zijn dat bij wijzigingen of aanpassingen die niet uitdrukkelijk zijn goedgekeurd, de garantie, gebruikslicenties en uitzonderingen kunnen komen te vervallen.

Raadpleeg de website van Blatchford voor de actuele volledige garantieverklaring.

Ernstige incidenten melden

In het onwaarschijnlijke geval van een ernstig incident dat zich voordoet met betrekking tot dit hulpmiddel, moet dit worden gemeld bij de fabrikant en de bevoegde instantie van uw land.

Milieuaspecten

Dit product bevat hydraulische olie, gemengde metalen en kunststoffen. Waar mogelijk moeten de componenten worden gerecycled in overeenstemming met de plaatselijke regelgeving op het gebied van afvalverwerking.

Het etiket van de verpakking bewaren

De behandelaar wordt geadviseerd het etiket van de verpakking te bewaren als registratie van het geleverde hulpmiddel.

Geregistreerd adres fabrikant

Blatchford Products Limited, Lister Road, Basingstoke RG22 4AH, VK.

Erkenning handelsmerken

Blatchford is een geregistreerd handelsmerk van Blatchford Products Limited.

Spis treści	110
1 Opis i przeznaczenie	111
2 Informacje dotyczące bezpieczeństwa	113
3 Budowa	114
4 Zasada działania	115
5 Konserwacja	115
6 Ograniczenia w użytkowaniu	116
7 Osiowanie podstawowe	117
8 Porady dotyczące osiowania i stabilizowania	118
9 Porady dotyczące dopasowywania	119
9.1 Wymiana gum Stanceflex	119
9.2 Regulacja ogranicznika przedniego — regulowany czop obrotowy	120
9.3 Dalsza regulacja	121
10 Instrukcje montażu	122
10.1 Wymiana buforu ogranicznika przedniego	122
10.2 Wymiana ograniczników tulei goleni	122
10.3 Wymagowanie mechanizmu ESK+	123
10.4 Wymiana mechanizmu ESK+	124
11 Specyfikacja techniczna	125
12 Składanie zamówień	126

1 Opis i przeznaczenie

Niniejsza instrukcja obsługi przeznaczona jest do użytku dla lekarza i użytkownika, chyba że podano inaczej.

Termin „wyrób” używany w niniejszej instrukcji użytkownika odnosi się do produktów Stanceflex ESK+.

Prosimy o zapoznanie się z treścią tego dokumentu i upewnienie się, że wszystkie instrukcje użytkownika są zrozumiałe, w szczególności wszystkie informacje dotyczące bezpieczeństwa i instrukcje konserwacji.

Zastosowanie

Ten wyrób przeznaczony jest do użytku wyłącznie jako element protezy kończyny dolnej.

Ten wyrób medyczny jest przeznaczony do użytku u jednego pacjenta.

Niniejszy wyrób to jednoosiowy przegub kolanowy ze stabilizacją aktywowaną obciążeniowo, ze zintegrowanym elementem zgięcia w fazie podparcia, który ma na celu poprawę bezpieczeństwa i ograniczenie kompensacji.

Tuleja goleni może być wyposażona w funkcję pneumatycznej kontroli fazy wymachu (PSPC, ang. *pneumatic swing phase control*) lub kontroli fazy wymachu SmartIP (ang. *Smart Intelligent Prosthesis*) albo może być dostarczana bez siłownika.

Gumowy element z tyłu obudowy przegubu kolanowego zapewnia zwiększoną możliwość zgięcia w fazie podparcia.

Cechy charakterystyczne

	Ręcznie regulowana funkcja PSPC	Funkcja SmartIP sterowana mikroprocesorowo
Zgięcie w fazie podparcia w warunkach obciążenia	✓	✓
Wytrzymała rama z włókna węglowego	✓	✓
Zgięcie kolana pod kątem 140 stopni	✓	✓
Regulowana czułość stabilizacji kolana	✓	✓
Niezależna ręczna regulacja zgięcia i wyprostu podczas fazy wymachu	✓	
Sterowana mikroprocesorowo kontrola fazy wymachu podczas zgięcia z ręcznie regulowanym tłumieniem uderzenia w fazie końcowej podczas wyprostu		✓

Poziom aktywności

Ten wyrób jest zalecany dla użytkowników na poziomie aktywności 2, 3 lub 4 (obowiązują ograniczenia wagowe, patrz *Specyfikacja techniczna*).

Ten wyrób może być niewłaściwy dla użytkowników na poziomie aktywności 1 lub biorących udział w zawodach sportowych. Użytkownicy na tym poziomie aktywności wymagają specjalnie zaprojektowanej protezy, zoptymalizowanej pod kątem ich potrzeb.

Poziom aktywności 1

Zdolność lub potencjalna możliwość poruszania się i przenoszenia kończyny na równych powierzchniach przy stałej kadencji. Typowy model poruszania się z ograniczeniami lub bez.

Poziom aktywności 2

Zdolność lub potencjalna możliwość poruszania się z pokonywaniem niskich przeszkód, takich jak krawężniki, schody lub nierówne powierzchnie. Typowy model poruszania się w ograniczonym zakresie poza domem.

Poziom aktywności 3

Zdolność lub potencjalna możliwość poruszania się ze zmienną kadencją. Zalecana osobom funkcjonującym w społeczeństwie, które oprócz wykorzystywania protezy do przemieszczania się, są zdolne do pokonywania większości barier środowiskowych i są w stanie podejmować czynności zawodowe, terapeutyczne lub ruchowe.

Poziom aktywności 4

Zdolność lub potencjalna możliwość chodzenia z protezą wykraczająca poza podstawowe możliwości przemieszczania się, co obejmuje poruszanie się ze znacznym obciążaniem i naciskiem kończyn oraz formy aktywności wymagające dużego nakładu energii. Spełnia wymagania protetyczne typowe dla dziecka, aktywnej osoby dorosłej lub sportowca.

Korzyści kliniczne

- Aktywowana obciążeniowo kontrola fazy podparcia i regulowana kontrola fazy wymachu zapewniają płynny, bezpieczny chód bez blokady kolana.
- Opcja Stanceflex poprawia amortyzację wstrząsów.
- Sterowanie mikroprocesorowe podczas fazy wymachu umożliwia optymalizację charakterystyki chodu w całym zakresie prędkości chodu (wyłącznie SmartIP).

Przeciwwskazania

Ten wyrób nie jest przeznaczony dla:

- Użytkowników z ekstremalnym osłabieniem mięśni, przykurczami, których nie można odpowiednio skorygować, lub dysfunkcją proprioceptywną, w tym zaburzeniem równowagi.
- Użytkowników z niestabilnością lub patologią stawu po przeciwnej stronie.
- Użytkowników ze skomplikowanymi schorzeniami obejmującymi wiele rodzajów niepełnosprawności.
- Użytkownicy, którzy wymagają funkcji uginania się kolana, aby móc zejść po schodach lub usiąść, w tym osoby po obustronnej amputacji na poziomie uda. Może to prowadzić do uszkodzenia mechanizmu wyhamowującego, co może negatywnie wpłynąć na stabilność i trwałość.














Użytkownicy muszą przejść szkolenie w zakresie prawidłowego chodzenia przed rozpoczęciem korzystania z tego wyrobu.



Należy upewnić się, że użytkownik zrozumiał wszystkie instrukcje użytkowania, zwracając szczególną uwagę na punkty dotyczące konserwacji i bezpieczeństwa użytkownika.

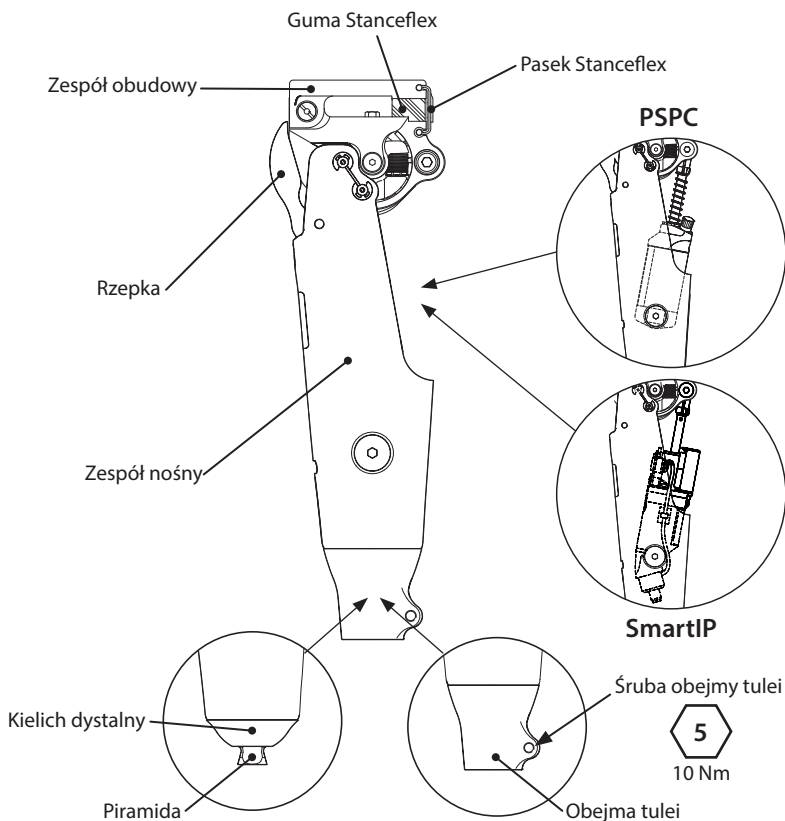
2 Informacje dotyczące bezpieczeństwa

-  Ten symbol ostrzegawczy oznacza istotne wskazówki dotyczące bezpieczeństwa.
-  Istnieje niebezpieczeństwo przytrażenia palców.
-  Wszelkie zmiany w działaniu lub funkcjonowaniu protezy, np. niestabilność, przeskakiwanie mechanizmu, ograniczenie ruchu, brak płynności ruchu lub nietypowe odgłosy, należy natychmiast zgłaszać świadczeniodawcy.
-  Przy schodzeniu, zwłaszcza po schodach, zawsze należy korzystać z poręczy, o ile jest dostępna.
-  Wszelkie nadmierne zmiany wysokości położenia pięty po zakończeniu regulacji mogą negatywnie wpłynąć na funkcjonowanie kończyny.
-  Do jazdy samochodem należy korzystać wyłącznie z odpowiednio przystosowanych pojazdów. Prowadząc pojazdy mechaniczne, każdy zobowiązany jest do przestrzegania obowiązujących przepisów ruchu drogowego.
-  Przenosząc znaczne obciążenia należy zachować szczególną ostrożność, gdyż przegub może tracić stabilność.
-  Użytkownika należy poinformować, że jeśli jego stan zdrowia ulegnie zmianie, powinien on skontaktować się ze swoim lekarzem.
-  Prosimy unikać ekspozycji na ekstremalne ciepło i/lub zimno.
-  Montaż, konserwację i naprawę niniejszego wyrobu mogą przeprowadzać wyłącznie odpowiednio wykwalifikowani klinicyści.
-  Ten wyrób nie jest przeznaczony do stosowania w środowisku wodnym lub jako proteza pod prysznic. W przypadku kontaktu kończyny z wodą wyrób należy natychmiast wytrzeć do sucha.

3 Budowa

Główne elementy

- Zespół nośny Kompozyt z włókna węglowego i stal nierdzewna
- Zespół obudowy Stop aluminium, stal nierdzewna, tworzywo termoplastyczne, materiał cierny wzmocniony włóknem (bezazbestowy)
- Kopała dystalna Stop aluminium
- Dystalne złącze piramidalne Tytan ze śrubą ze stali nierdzewnej
- Dystalna obejma tulei Stop aluminium
- Rzepka Tworzywo termoplastyczne
- Guma Stanceflex Kauczuk naturalny
- Pasek Stanceflex Kevlar
- PSPC Stop aluminium, stal nierdzewna, tytan, tworzywo termoplastyczne
- Siłownik sterujący SmartIP Stop aluminium, stal nierdzewna, tytan, tworzywo termoplastyczne
Komponenty elektryczne, akumulatory



4 Zasada działania

Kolano protezowe to konstrukcja jednoosiowa składająca się ze sworznia kolana łączącego obudowę z zespołem nośnym. Aktywowany obciążeniowo mechanizm stabilizujący kolana umieszczony jest w obudowie. Obudowa kolana wyposażona jest w obrotowo połączoną płytę górną, która jest podtrzymywana przez sprężysty gumowy blok. Umożliwia to zgięcie w fazie podparcia pod obciążeniem i amortyzuje obciążenia uderzeniowe przy uderzeniu pięty.

W zespole ramy znajduje się siłownik sterujący kolana zamontowany między tylnym sworzniem obudowy a dystalnym sworzniem zespołu nośnego.

Siłownik PSPC wyposażony jest w ręcznie regulowane zawory, które zapewniają niezależną kontrolę oporu podczas zgięcia i wyprostowania w fazie wymachu.

Siłownik sterujący SmartIP wykorzystuje czujniki znajdujące się wewnątrz siłownika do monitorowania prędkości chodu i automatycznie dostosowuje odpowiednio opór zgięcia. Sterowanie wyprostowaniem odbywa się poprzez ustawienie w stałym położeniu amortyzatora uderzenia w fazie końcowej.

5 Konserwacja

Wyrób należy regularnie sprawdzać wzrokowo.

Wszelkie zmiany w działaniu niniejszego wyrobu, takie jak nietypowe odgłosy, zwiększona sztywność lub ograniczona / nadmierna rotacja, znaczne zużycie lub odbarwienia spowodowane długotrwałą ekspozycją na promieniowanie UV, należy zgłaszać lekarzowi lub świadczeniodawcy.

Lekarza lub świadczeniodawcę należy również informować o wszelkich zmianach masy ciała i/lub poziomu aktywności użytkownika.

Czyszczenie

Do czyszczenia powierzchni zewnętrznych należy używać ściereczki zwilżonej roztworem z łagodnego mydła. NIE WOLNO stosować żrących środków czyszczących.

Pozostałe instrukcje w tej części są przeznaczone wyłącznie dla lekarza.

Taką konserwację może przeprowadzać wyłącznie wykwalifikowany personel (lekarz lub odpowiednio przeszkolony technik).

Aby utrzymać optymalną wydajność, zaleca się przeprowadzanie okresowych przeglądów pod kątem niedopuszczalnych odgłosów, luzu i stabilności. Okres czasu pomiędzy poszczególnymi przeglądami zależy od takich czynników, jak aktywność użytkownika, częstotliwość użytkowania oraz konfiguracja stabilności kolana.

Orientacyjnie, jeśli stabilność ustawiona jest na co najmniej 6 kliknięć, a użytkownik wykonuje średnio 600 000 kroków rocznie, zaleca się wykonywanie corocznych przeglądów.

Jeśli ustawienie stabilności jest mniejsze niż 6 kliknięć i/lub użytkownik wykonuje średnio mniej niż przeciętną liczbę kroków, okres pomiędzy poszczególnymi przeglądami może być dłuższy.

W celu określenia liczby kroków zaleca się stosowanie monitora aktywności kończyny.

Aby zapewnić optymalną stabilność i trwałość, zalecamy dostosowanie przegubu kolanowego do wymagań stabilności danego użytkownika. Prosimy zapoznać się ze wskazówkami dotyczącymi regulacji / schematem blokowym.

Podczas tych przeglądów:

- Wyrób należy sprawdzać wizualnie pod kątem defektów, które mogłyby mieć wpływ na jego prawidłowe funkcjonowanie.
- Sprawdzić, czy w płaszczyźnie środkowo-bocznej (M-L) obudowy nie ma obluźwienia i nie występuje nadmierna kompresja gumy Stanceflex. W razie potrzeby wymienić łożyska i gumę Stanceflex.
- Sprawdzić przedni ogranicznik i w razie potrzeby wymienić.
- Sprawdzić ograniczniki na tulei goleni i w razie potrzeby wymienić.
- Zdemontować, wyczyścić i ponownie zmontować mechanizm przegubu kolanowego.

Należy poinformować użytkownika, aby przeprowadzał regularną kontrolę wzrokową wyrobu, a wszelkie zmiany w działaniu tego wyrobu zgłaszać lekarzowi. Zmiany w funkcjonowaniu mogą obejmować: zwiększenie lub zmniejszenie sztywności lub niestabilność przegubu kolanowego, zmniejszone podparcie w przegubie kolanowym (swobodny ruch), wszelkie nietypowe odgłosy.

Jeśli wyrób będzie używany do sportów ekstremalnych, należy zweryfikować poziom i częstotliwość konserwacji i w razie potrzeby uzyskać poradę i wsparcie techniczne, aby móc zaplanować nowy harmonogram konserwacji w zależności od częstotliwości i charakteru aktywności. Powinno to zostać określone po przeprowadzeniu lokalnej oceny ryzyka przez odpowiednio wykwalifikowaną osobę.

Przechowywanie i obsługa

W przypadku przechowywania przez dłuższy czas wyrób należy przechowywać w suchym miejscu, w temperaturze od -15°C do 50°C.

Wyrób przechowywać w oryginalnym opakowaniu.

6 Ograniczenia w użytkowaniu

Przewidywany okres eksploatacji:

Miejscową ocenę ryzyka należy przeprowadzić na podstawie aktywności i użytkowania.

Podnoszenie ciężkich przedmiotów

Masa ciała i aktywność użytkownika podlegają wcześniej wymienionym ograniczeniom.

Podnoszenie ciężkich przedmiotów przez użytkownika musi zostać poprzedzone indywidualną oceną ryzyka.

Środowisko:

Należy unikać narażania wyrobu na działanie czynników korozyjnych, takich jak woda, kwasy i inne płyny. Należy również unikać środowisk, w których może wystąpić efekt ścierania, na przykład terenów piaszczystych, ponieważ mogą one sprzyjać przedwczesnemu zużyciu.

Wyrób może być użytkowany wyłącznie w temperaturach od -15°C do 50°C.



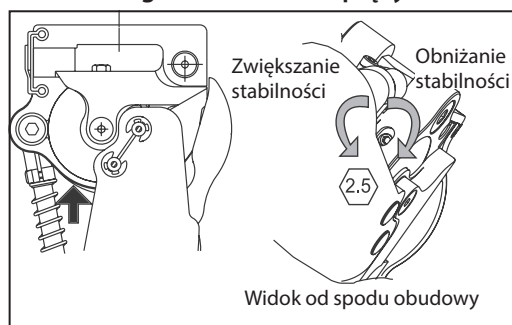
Można używać na zewnątrz

7 Osiowanie podstawowe

Instrukcje w tej części są przeznaczone wyłącznie dla lekarza.

Próby chodzenia

Regulator zestawu sprężyn



Całkowicie wyprostować kończynę, aby uzyskać dostęp do regulatora.

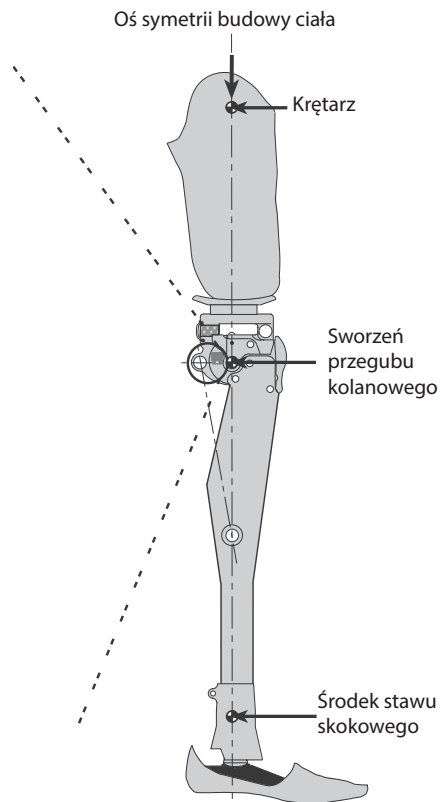
Obracać REGULATOR ZESTAWU SPRĘŻYN, aby uzyskać odpowiednią stabilność dostosowaną do potrzeb osoby po amputacji.

Uwaga... Podczas regulacji powinny być słyszalne kliknięcia, a regulator samoczynnie zablokuje się.

Dokręcić ZESTAW SPRĘŻYN, aby zmniejszyć stabilność.

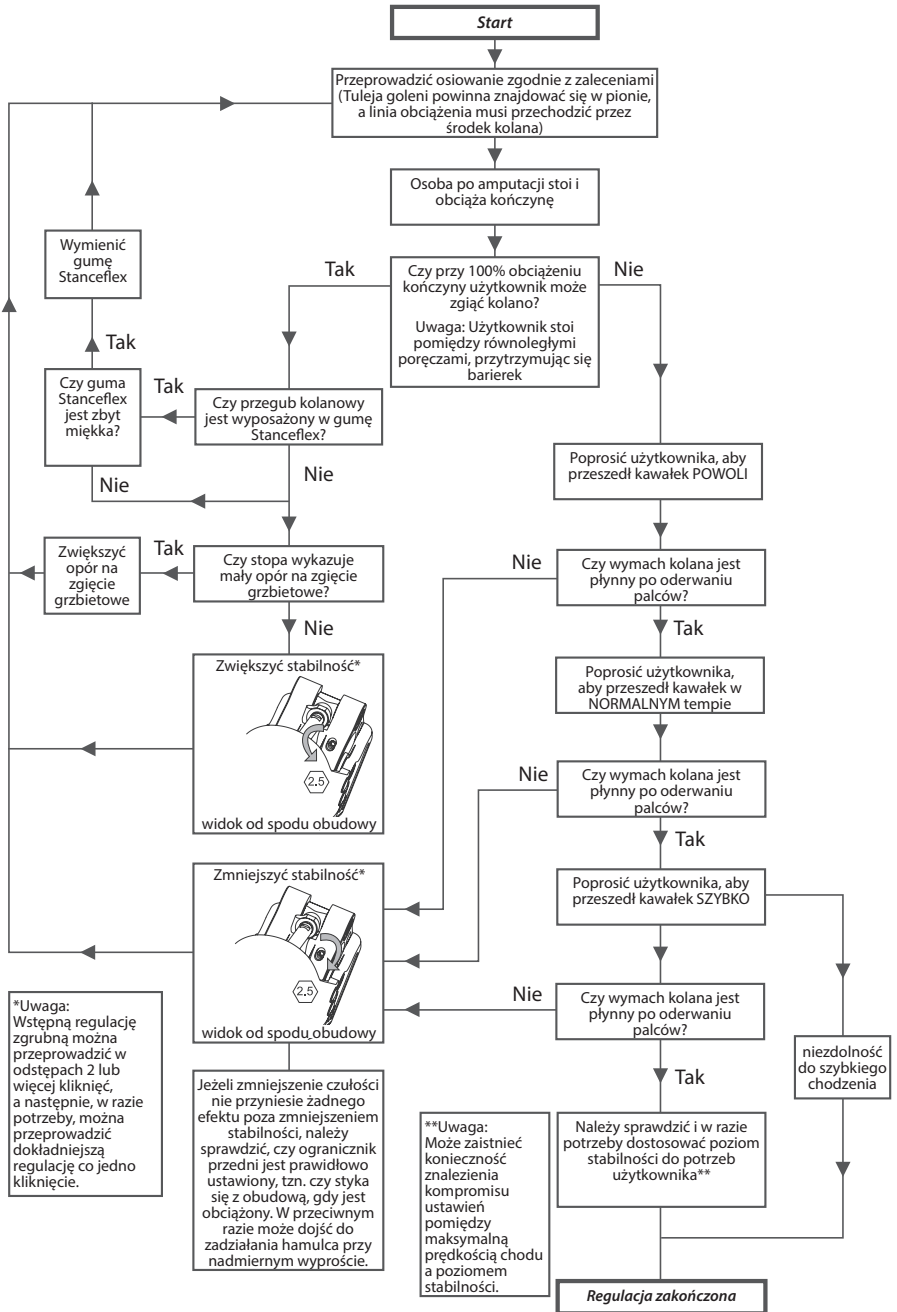
Zwolnić ZESTAW SPRĘŻYN, aby zwiększyć stabilność — patrz powyżej.

W razie potrzeby regulator można przywrócić do ustawień fabrycznych. Można tego dokonać poprzez zmniejszenie stabilności o sześć słyszalnych kliknięć od maksymalnego ustawienia stabilności.



8 Porady dotyczące osiowania i stabilizowania

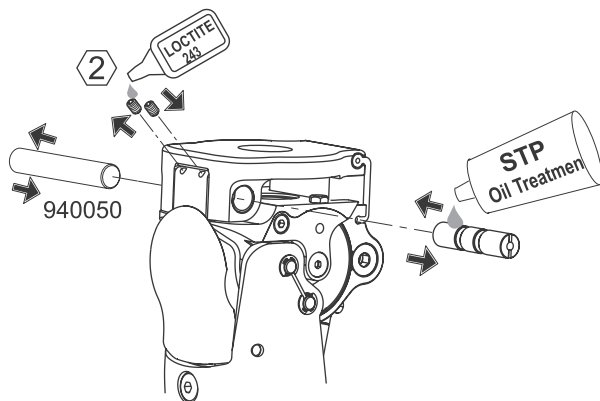
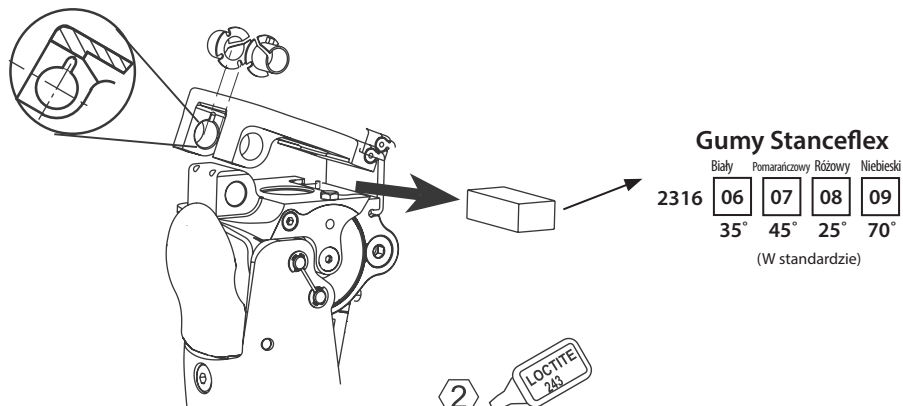
Instrukcje w tej części są przeznaczone wyłącznie dla lekarza.



9 Porady dotyczące dopasowywania

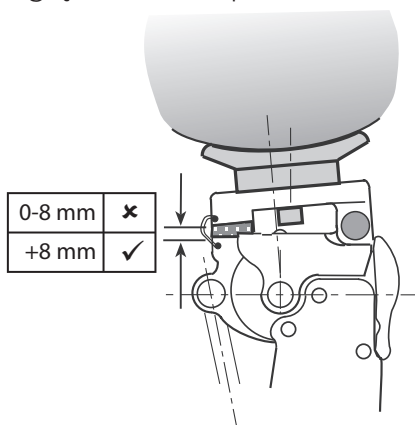
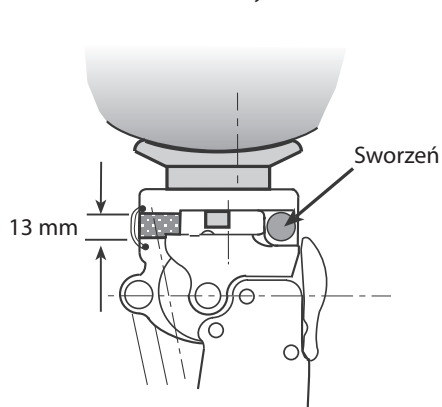
Instrukcje w tej części są przeznaczone wyłącznie dla lekarza.

9.1 Wymiana gum Stanceflex



Ustawienie statyczne

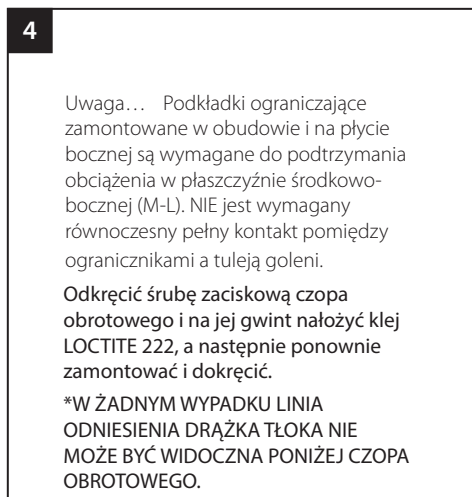
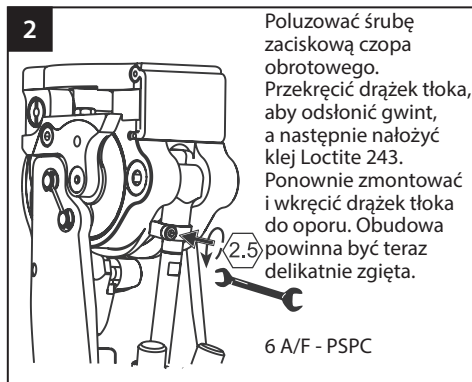
Zgięcie kolana po uderzeniu piętą



9.2 Regulacja ogranicznika przedniego — regulowany czop obrotowy

Instrukcje w tej części są przeznaczone wyłącznie dla lekarza.

Mocowanie do PSPC



Regulacja ogranicznika przedniego — Inteligentna proteza bez możliwości regulacji

(Tak jak w starszych modelach SmartIP).

W przypadku zastosowania tych siłowników nie ma konieczności regulacji. Wymagają one pełnego dokręcenia ogranicznika przedniego, jak przedstawiono to w etapie 1.

9.3 Dalsza regulacja

Instrukcje w tej części są przeznaczone wyłącznie dla lekarza.

Oznaki problemu	Rozwiązanie
Kolano nie stabilizuje się.	Zwiększyć czułość.
	Przesunąć lej do przodu.
	W przypadku uszkodzenia krawędzi wleczonej hamulca należy wymienić mechanizm stabilizujący.
	Sprawdzić gumę Stanceflex i w razie potrzeby wymienić ją. (Patrz minimalna grubość podczas kompresji w punkcie <i>Zgięcie kolana po uderzeniu piętą</i>).
Kolano nie zostaje zwolnione.	Zmniejszyć czułość.
	Sprawdzić pod kątem prawidłowego ustawienia długości drążka tłoka.
	Przesunąć lej do tyłu.
Pięta unoszona jest zbyt wysoko podczas wymachu.	Należy zapoznać się instrukcją użycia siłownika sterującego.
Pięta nie jest wystarczająco unoszona podczas wymachu.	Należy zapoznać się instrukcją użycia siłownika sterującego.
Odczuwalne uderzenie w fazie końcowego kontaktu stopy z podłożem.	Należy zapoznać się instrukcją użycia siłownika sterującego.
Proteza nie prostuje się całkowicie w fazie wymachu.	Należy zapoznać się instrukcją użycia siłownika sterującego.

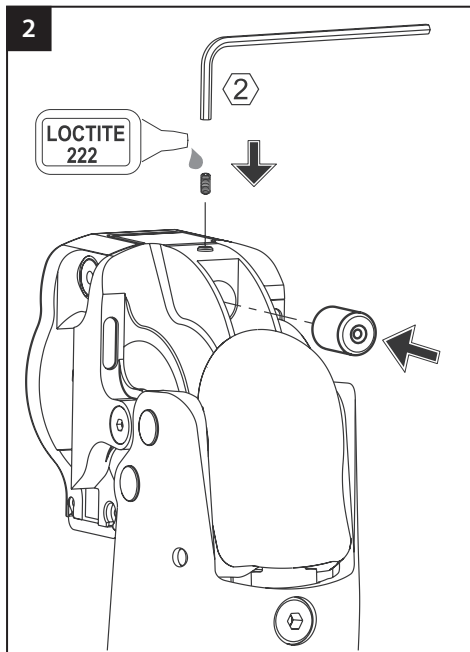
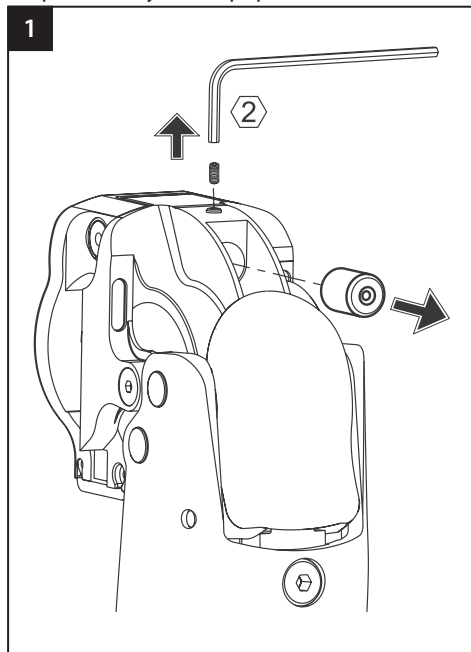
Jeśli po zastosowaniu się do opisanych instrukcji w dalszym ciągu występują problemy z funkcjonowaniem wyrobu, prosimy o kontakt z zespołem ds. sprzedaży w swoim regionie w celu uzyskania porady.

10 Instrukcje montażu

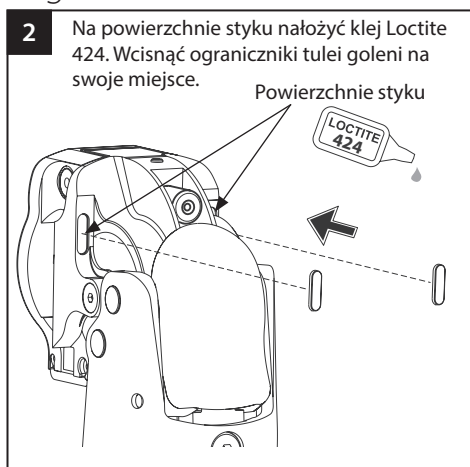
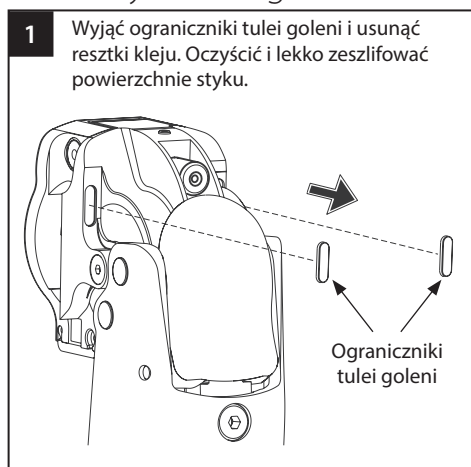
Instrukcje w tej części są przeznaczone wyłącznie dla lekarza.

10.1 Wymiana bufora ogranicznika przedniego

Podczas montażu nowego ogranicznika przedniego zawsze należy dokonać ponownej regulacji i, w stosownych przypadkach, sprawdzić długość siłownika, jeśli jest on wyposażony w regulowany czop obrotowy. (Patrz poprzednia strona).

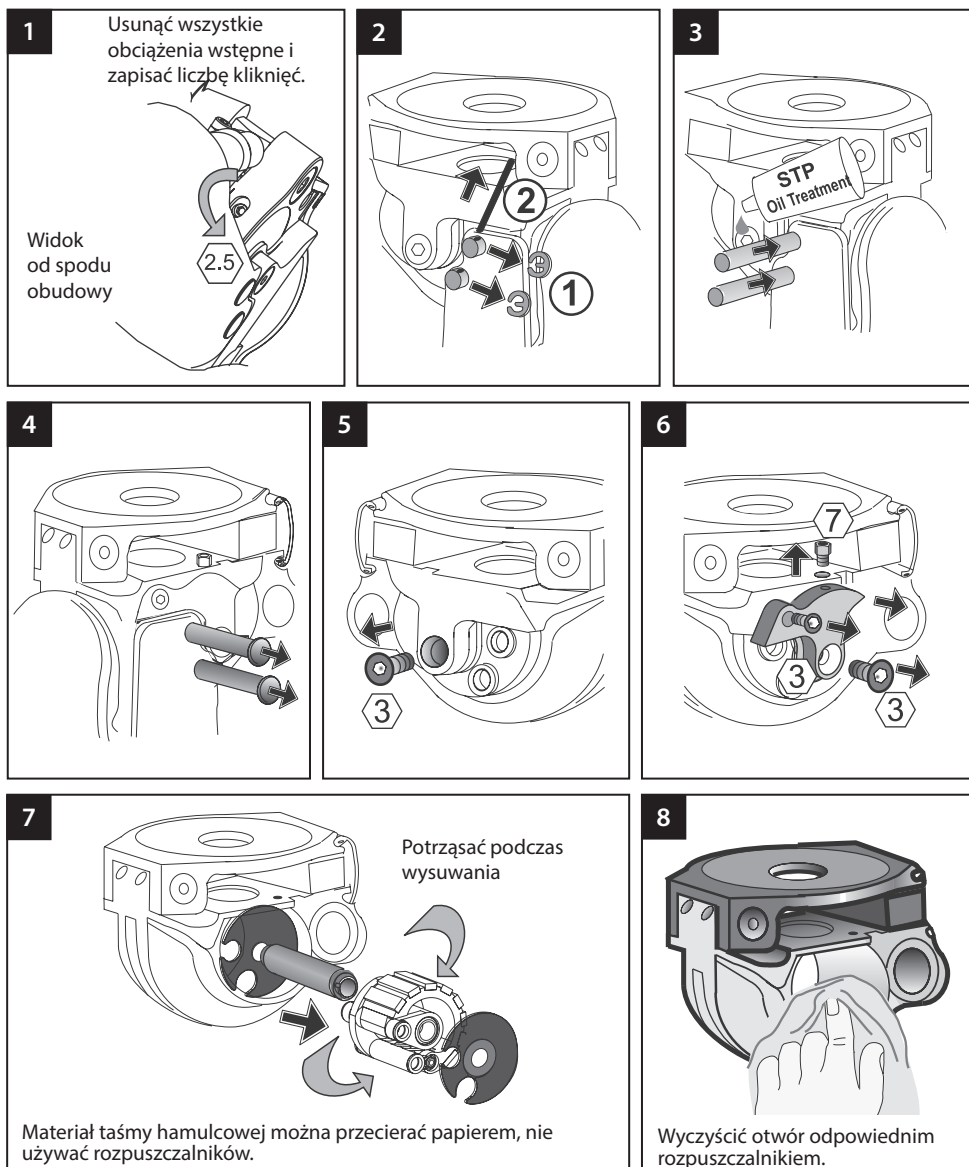


10.2 Wymiana ograniczników tulei goleni



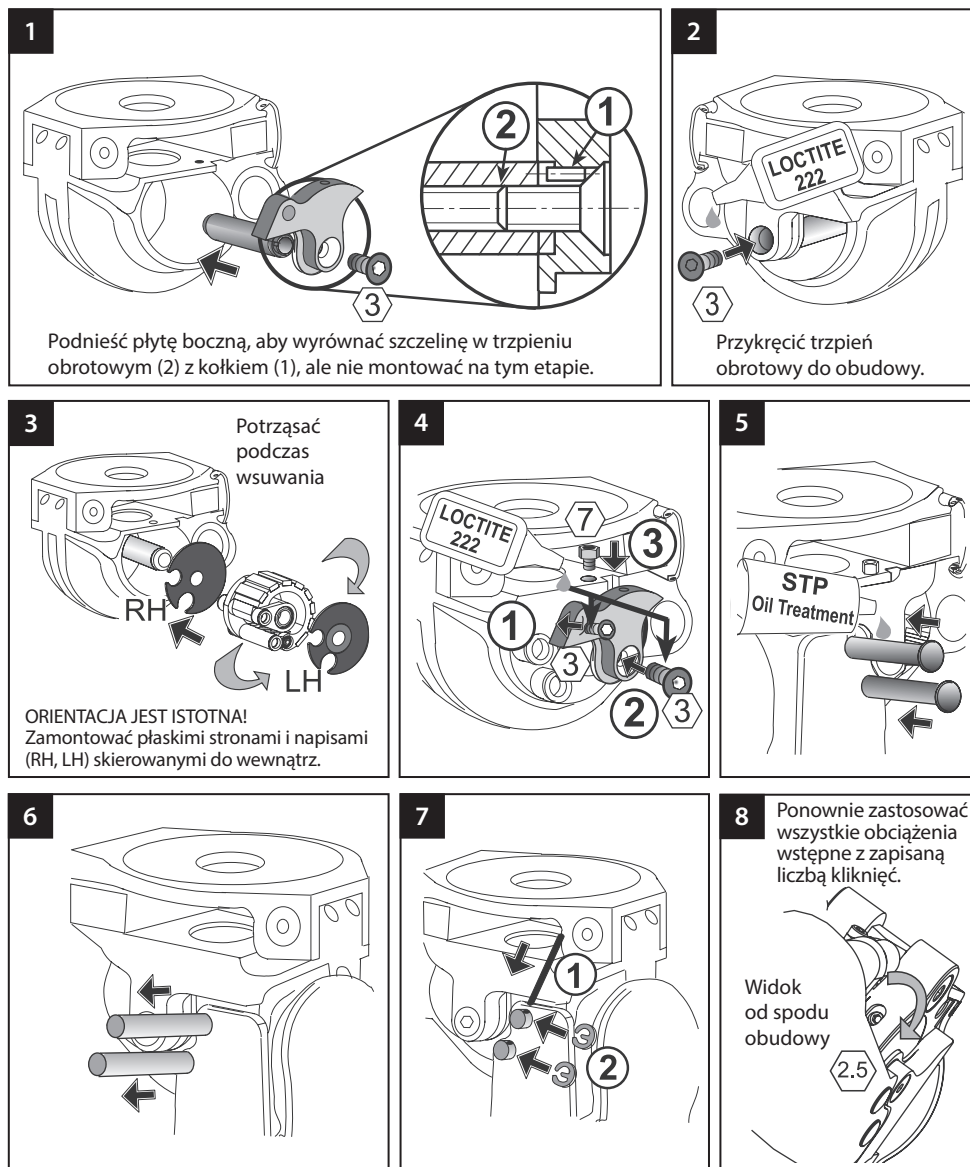
10.3 Wyjmowanie mechanizmu ESK+

Instrukcje w tej części są przeznaczone wyłącznie dla lekarza.



10.4 Wymiana mechanizmu ESK+

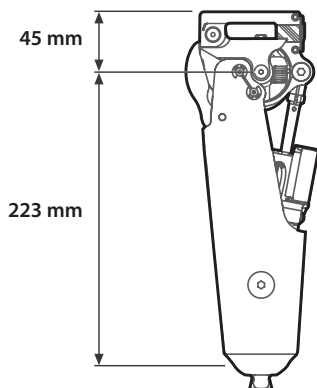
Instrukcje w tej części są przeznaczone wyłącznie dla lekarza.



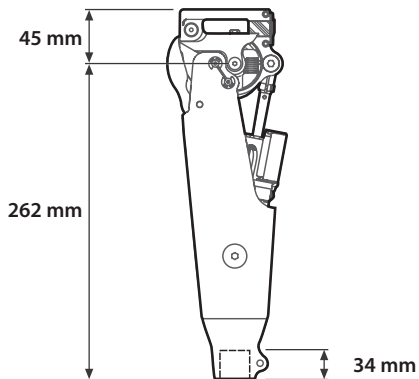
11 Specyfikacja techniczna

Zakres temperatur roboczych i przechowywania:	od -15°C do 50°C
Waga wyrobu:	
SmartIP	1,27 kg
PSPC	1,13 kg
Poziom aktywności:	2–3 (4)
Maksymalna masa ciała użytkownika:	
Poziom aktywności 2–3	125 kg
Poziom aktywności 4	100 kg
Maksymalny kąt zginania:	140°
Proksymalne mocowanie osiujące:	Jedna śruba (Blatchford)
Dystalne mocowanie osiujące:	30 mm, obejma tulei lub złącze piramidalne męskie (Blatchford)
Wysokość:	Patrz schematy poniżej.

Długość mocowania



ESK+ Stanceflex z dystalnym złączem piramidalnym



ESK+ Stanceflex z dystalną obejmą tulei o średnicy 30 mm

12 Składanie zamówień

Przykład zamówienia

	ESK+ ze Stanceflex							
	Dystalna obejma tulei 30 mm				Piramida dystalna			
Siłownik pneumatyczny	ESK	SF	P	30	ESK	SF	P	PYR
	ESK+	Stanceflex	PSPC	Dystalna obejma tulei 30 mm	ESK+	Stanceflex	PSPC	Piramida dystalna
Przegub kolanowy SmartIP	SMARTIP	SF	30	SMARTIP	SF	PYR		
	Przegub kolanowy SmartIP	Stanceflex	Dystalna obejma tulei 30 mm	Przegub kolanowy SmartIP	Stanceflex	Piramida dystalna		
Bez zamontowanego siłownika sterującego	ESK	SF	30	ESK	SF	PYR		
	ESK+	Stanceflex	Dystalna obejma tulei 30 mm	ESK+	Stanceflex	Piramida dystalna		

Części zamienne

Element	Nr części
Zespół przegubu kolanowego Stanceflex	239149
Sworzeń do osiowania mechanizmu ESK	234914
Podkładka ogranicznika przedniego	234903
Zestaw mechanizmu stabilizującego ESK+	239949
Blokada goleni	233810

Guma Stanceflex

Element	Nr części
25° Różowy (miękki)	231608
35° Biały	231606
45° Pomarańczowy (w standardzie)	231607
70° Niebieski (twardy)	231609

Zakres odpowiedzialności

Producent zaleca korzystanie z niniejszego wyrobu wyłącznie w określonych warunkach i zgodnie z przeznaczeniem. Niniejszy wyrób należy poddawać konserwacji zgodnie z załączonymi instrukcjami dla użytkownika. Producent nie ponosi odpowiedzialności za jakiegokolwiek negatywne skutki stosowania nieautoryzowanych elementów.

Deklaracja zgodności WE

Produkt spełnia wymagania Rozporządzenia (UE) 2017/745 dla wyrobów medycznych. Produkt został sklasyfikowany jako wyrób klasy I zgodnie z zasadami klasyfikacji określonymi w załączniku VIII do tego rozporządzenia. Deklaracja zgodności CE została opublikowana na stronie internetowej: www.blatchford.co.uk



Wyrób medyczny



Do wielokrotnego użycia
u jednego pacjenta

Kompatybilność

Kompatybilność z produktami marki Blatchford została potwierdzona na podstawie testów przeprowadzonych zgodnie z odpowiednimi normami i wymaganiami Rozporządzenia w sprawie wyrobów medycznych, w tym testów strukturalnych, zgodności wymiarowej i monitorowanej wydajności w terenie.

Użytkowanie wyrobu w połączeniu z innymi produktami posiadającymi oznakowanie CE należy przetestować z uwzględnieniem udokumentowanej lokalnej oceny ryzyka przeprowadzonej przez lekarza.

Gwarancja

Niniejszy wyrób objęty jest 24-miesięczną gwarancją; taśma hamulca – 12-miesięczną gwarancją.

Użytkownik powinien mieć świadomość, że zmiany lub modyfikacje, które nie zostały wyraźnie zatwierdzone, mogą spowodować unieważnienie gwarancji, licencji na użytkowanie i wyłączeń.

Aktualną i pełną treść umowy gwarancyjnej opublikowano na stronie internetowej firmy Blatchford.

Zgłaszanie poważnych incydentów

W mało prawdopodobnym przypadku wystąpienia poważnego incydentu związanego ze stosowaniem tego wyrobu incydent należy zgłosić producentowi i właściwemu organowi krajowemu.

Aspekty środowiskowe

Ten produkt zawiera olej hydrauliczny, różne rodzaje metali i tworzyw sztucznych. O ile jest to możliwe, komponenty należy poddać recyklingowi zgodnie z lokalnymi przepisami dotyczącymi postępowania z odpadami.

Zachowanie etykiety z opakowania

Zaleca się, aby lekarz zachował etykietę z opakowania jako potwierdzenie dostarczenia wyrobu.

Adres siedziby producenta

Blatchford Products Limited, Lister Road, Basingstoke RG22 4AH, Wielka Brytania.

Potwierdzenia dotyczące znaków towarowych

Blatchford jest zarejestrowanym znakiem towarowym firmy Blatchford Products Limited.

Índice	128
1 Descrição e finalidade	129
2 Informações de segurança.....	131
3 Componentes.....	132
4 Funcionamento.....	133
5 Manutenção.....	133
6 Limitações à utilização	134
7 Alinhamento de bancada.....	135
8 Recomendações de alinhamento e ajuste da estabilidade	136
9 Recomendações de ajuste	137
9.1 Substituir as borrachas Stanceflex.....	137
9.2 Ajuste do batente dianteiro - Munhão ajustável.....	138
9.3 Ajustes adicionais.....	139
10 Instruções de montagem	140
10.1 Substituir o amortecedor do batente dianteiro.....	140
10.2 Substituir os batentes do tubo tibial.....	140
10.3 Retirar o mecanismo ESK+.....	141
10.4 Substituição do mecanismo ESK+	142
11 Dados técnicos.....	143
12 Informações para encomendas.....	144

1 Descrição e finalidade

Salvo indicação em contrário, estas instruções de utilização destinam-se ao ortoprotésico e ao utilizador.

Nestas instruções de utilização, o termo “dispositivo” é utilizado em referência aos produtos Stanceflex ESK+.

Leia e certifique-se de que compreende todas as instruções de utilização, com particular destaque para todas as informações de segurança e instruções de manutenção.

Aplicação

Este dispositivo destina-se a ser utilizado exclusivamente como parte de uma prótese de membro inferior.

Este dispositivo destina-se a ser utilizado por um único utilizador.

O dispositivo é uma estrutura uniaxial de estabilização do joelho ativada pelo peso com um elemento de flexão no apoio integrado e destina-se a melhorar a segurança e a reduzir a compensação.

O tubo tibial pode ser equipado com um PSPC (controlo pneumático da fase de balanço) ou um controlo da fase de balanço SmartIP (prótese inteligente) ou fornecido sem um cilindro.

Um elemento de borracha na parte posterior do joelho proporciona uma flexão adicional no apoio.

Características

	PSPC de ajuste manual	SmartIP controlado por microprocessador
Flexão no apoio durante a carga	✓	✓
Estrutura resistente de fibra de carbono	✓	✓
Flexão de 140 graus do joelho	✓	✓
Sensibilidade ajustável da estabilidade do joelho	✓	✓
Controlos do balanço independentes, com ajuste manual, para flexão e extensão	✓	
Controlo do balanço por microprocessador em flexão, com amortecimento do impacto terminal de ajuste manual em extensão		✓

Nível de atividade

Este dispositivo é adequado para utilizadores com níveis de atividade 2, 3 e 4 (aplicam-se limites de peso, consulte *Dados técnicos*).

É possível que este dispositivo não seja adequado para utilizadores com um nível de atividade 1, nem para eventos de competição desportiva. Estes tipos de utilizadores beneficiam mais de uma prótese concebida especialmente e otimizada em função das suas necessidades.

Nível de atividade 1

Possui a capacidade ou o potencial de utilizar uma prótese para as transferências ou deambulação em superfícies niveladas, com uma cadência fixa. Típico do deambulador com ou sem limitações.

Nível de atividade 2

Tem a capacidade ou o potencial de deambulação, sendo capaz de ultrapassar barreiras ambientais de nível baixo como, por exemplo, bermas, escadas, ou superfícies irregulares. Típico do deambulador comunitário com limitações.

Nível de atividade 3

Possui a capacidade ou o potencial de deambular com uma cadência variável. Típico do deambulador comunitário capaz de ultrapassar a maioria das barreiras ambientais e que, possivelmente, tem uma atividade profissional, terapêutica ou desportiva que exige a utilização de prótese para outras finalidades além da simples locomoção.

Nível de atividade 4

Possui a capacidade ou o potencial de deambulação protética que ultrapassa as competências básicas de deambulação, demonstrando elevado impacto, tensão ou níveis de energia. Típico das exigências protéticas de crianças, adultos ativos ou atletas.

Benefícios clínicos

- O controlo no apoio ativado pelo peso e o controlo ajustável do balanço proporcionam uma marcha suave e segura com um joelho sem bloqueio.
- O Stanceflex melhora a absorção de choque.
- O controlo do balanço por microprocessador permite características de marcha otimizadas num intervalo de velocidades do caminhar. (Apenas SmartIP.)

Contraindicações

Este dispositivo não é adequado para:

- Utilizadores com fraqueza muscular extrema, contracturas que não possam ser corretamente acomodadas ou disfunção propriocetiva, incluindo problemas de equilíbrio.
- Utilizadores com instabilidades ou patologia de articulação contralateral.
- Utilizadores com doenças complicadas que impliquem múltiplas incapacidades.
- Utilizadores, incluindo amputados com próteses transfemorais bilaterais, que necessitam de uma função de cedência do joelho para descer escadas ou para se sentarem. Isto pode resultar em danos do mecanismo do travão que podem prejudicar a estabilidade e durabilidade.




Os utilizadores têm de receber treino de marcha antes de utilizarem este dispositivo.





Certifique-se de que o utilizador compreendeu todas as instruções de utilização, com particular destaque para as secções de manutenção e informações de segurança.


2 Informações de segurança


 Este símbolo de aviso destaca informações de segurança importantes.


 Esteja sempre atento para não ficar com os dedos presos.


 Quaisquer alterações no desempenho ou funcionamento da prótese (por exemplo, instabilidade, dupla ação, movimento limitado, rigidez no movimento ou ruídos estranhos) devem ser comunicadas de imediato ao fornecedor.


 Utilize sempre os corrimões, se existentes, seja para descer escadas ou em qualquer outra situação.


 Quaisquer alterações significativas na altura do calcanhar após a conclusão do alinhamento podem prejudicar o funcionamento da prótese.


 O utilizador apenas deve conduzir veículos devidamente adaptados. A utilização de veículos motorizados requer que os condutores respeitem a legislação em matéria de circulação rodoviária.

 Deve ter cuidado ao transportar cargas pesadas porque isso pode prejudicar a estabilidade do dispositivo.

 O utilizador deve ser aconselhado a contactar o ortoprotésico caso haja alguma alteração na sua situação.

 Evite a exposição a condições extremas de calor/frio.

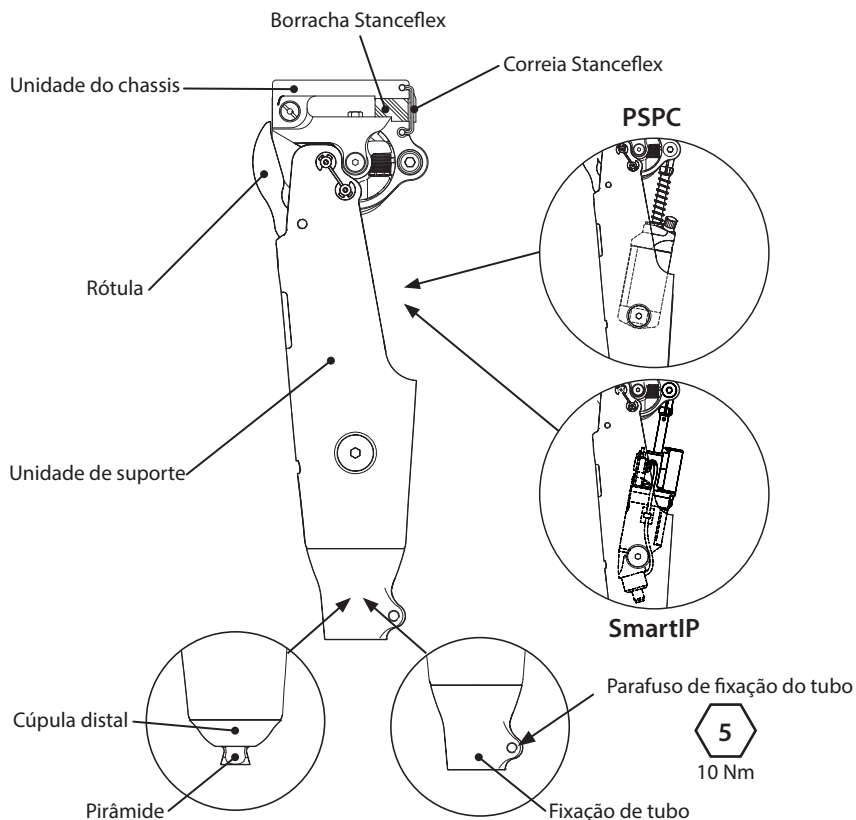
 As operações de montagem, manutenção e reparação do dispositivo só devem ser levadas a cabo por um profissional de saúde devidamente qualificado.

 O dispositivo não se destina a ser utilizado dentro de água nem como prótese para o duche. Se a prótese entrar em contacto com a água, seque-a de imediato.

3 Componentes

Peças principais

- Unidade de suporte Composto de fibra de carbono e aço inoxidável
- Unidade do chassis Liga de alumínio, aço inoxidável, termoplástico de engenharia, material de fricção reforçado com fibra (sem amianto).
- Cúpula distal Liga de alumínio
- Pirâmide distal Titânio com parafuso de aço inoxidável
- Fixação de tubo distal Liga de alumínio
- Rótula Termoplástico de engenharia
- Borracha Stanceflex Borracha natural
- Correia Stanceflex Kevlar
- PSCP Liga de alumínio, aço inoxidável, titânio, termoplástico de engenharia
- Cilindro de controlo SmartIP Liga de alumínio, aço inoxidável, titânio, termoplástico de engenharia Componentes eletrónicos, baterias



4 Funcionamento

O joelho possui um design uniaxial composto por um pivô do joelho que liga um chassis a uma unidade de suporte. O chassis inclui no seu interior um mecanismo de estabilização do joelho ativado pelo peso. O chassis do joelho dispõe de uma placa superior ligada por um pivô que é suportada de forma segura por um bloco de borracha, o que proporciona uma ação de flexão no apoio sob carga e absorve as cargas de choque no toque do calcanhar.

Um cilindro de controlo do joelho assenta nesta unidade de suporte, colocado entre o pivô posterior do chassis e o pivô distal do suporte.

O cilindro PSPC possui válvulas de ajuste manual que proporcionam um controlo independente da resistência à flexão e à extensão durante a fase de balanço.

O cilindro de controlo SmartIP utiliza sensores no interior do cilindro para monitorizar a velocidade do caminhar e ajustar automaticamente a resistência à flexão em conformidade.

O controlo da extensão é efetuado através do ajuste fixo de um amortecedor de impacto terminal.

5 Manutenção

Inspeccione visualmente o dispositivo com regularidade.

Comunique quaisquer alterações no desempenho deste dispositivo ao ortoprotésico/fornecedor como, por exemplo, ruídos estranhos, maior rigidez ou rotação limitada/excessiva, desgaste significativo ou descoloração excessiva devido à exposição de longa duração aos raios UV.

Informe o ortoprotésico/fornecedor de quaisquer alterações no peso corporal e/ou nível de atividade.

Limpeza

Utilize um pano húmido e sabão suave para limpar as superfícies exteriores. NÃO utilize produtos de limpeza agressivos.

As restantes instruções nesta secção destinam-se apenas ao ortoprotésico.

Esta manutenção deve ser realizada apenas por técnicos qualificados (ortoprotésico ou técnico com formação adequada).

Com vista a manter um desempenho otimizado, é recomendado efetuar uma inspeção periódica para detetar ruídos anormais, folga e verificar a estabilidade. O tempo entre inspeções é determinado por fatores como a atividade do utilizador, a frequência da utilização e a definição de estabilidade do joelho.

Para referência, se a definição for de 6 ou mais cliques e o utilizador der, em média, 600 000 passos por ano, recomenda-se a realização de uma inspeção anual.

Se a definição de estabilidade for inferior a 6 cliques e/ou a média do utilizador for inferior à média do número de passos, o período entre as inspeções pode ser mais prolongado.

Recomenda-se a utilização de um sistema de monitorização da atividade da prótese para determinar o número de passos.

Recomendamos que o joelho seja ajustado aos requisitos de estabilidade do indivíduo para assegurar uma estabilidade e durabilidade otimizadas. Consulte o guia de ajuste/diagrama de fluxo.

Durante estas inspeções:

- Inspeccione visualmente para verificar se existem defeitos que possam afetar o funcionamento correto.
- Verifique a existência de folga médio-lateral (ML) do chassis e de uma compressão excessiva da borracha Stanceflex. Substitua os rolamentos e a borracha Stanceflex, se necessário.
- Verifique o batente dianteiro e substitua, se necessário.
- Verifique os batentes do tubo tibial e substitua, se necessário.
- Desmonte, limpe e volte a montar o mecanismo do joelho.

Aconselhe o utilizador a efetuar regularmente uma inspeção visual do dispositivo. Quaisquer alterações no desempenho deste dispositivo devem ser reportadas ao ortoprotésico.

As mudanças no desempenho podem incluir: aumento ou diminuição na rigidez do joelho, instabilidade, apoio reduzido no joelho (liberdade de movimento), qualquer ruído estranho.

Se este dispositivo for utilizado para uma atividade extrema, é necessário rever o nível e o intervalo de manutenção e, se necessário, deve receber aconselhamento e apoio técnico para planear um novo cronograma de manutenção em função da frequência e natureza da atividade. Tal deve ser decidido mediante uma avaliação de riscos local levada a cabo por uma pessoa devidamente qualificada.

Armazenamento e manuseamento

Ao armazenar o produto durante longos períodos, este deve ser mantido num local seco, com uma temperatura entre -15 °C e 50 °C.

Utilize a embalagem fornecida com o produto.

6 Limitações à utilização

Vida útil prevista:

Deve ser efetuada uma avaliação de riscos local com base na atividade e utilização.

Levantamento de pesos

O peso e a atividade do utilizador estão condicionados aos limites indicados.

O peso que o utilizador pode transportar deve basear-se numa avaliação de riscos local.

Ambiente:

Evite expor o dispositivo a elementos corrosivos como água, ácidos e outros líquidos. Além disso, evite ambientes abrasivos como, por exemplo, locais com areia, uma vez que estes podem causar um desgaste prematuro.

Utilizar apenas entre -15 °C e 50 °C



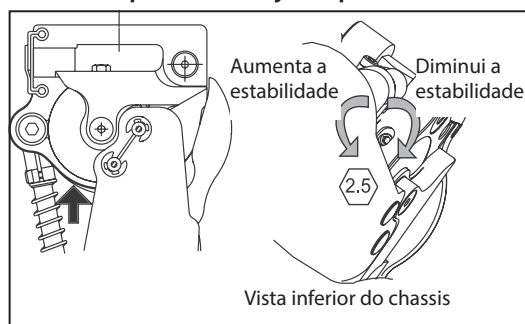
Indicado para utilização no exterior

7 Alinhamento de bancada

As instruções nesta secção destinam-se apenas ao ortoprotésico.

Testes ao caminhar

Dispositivo de ajuste por mola



Efetue a flexão total da prótese para aceder ao dispositivo de ajuste.

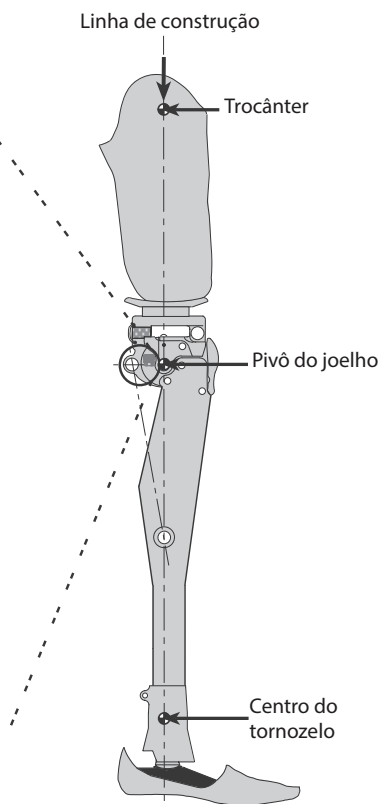
Rode o DISPOSITIVO DE AJUSTE POR MOLA para alcançar a estabilidade adequada ao utilizador.

Nota... Ao ajustar, irá ouvir alguns cliques; o dispositivo de ajuste bloqueia automaticamente.

Aperte o dispositivo de AJUSTE POR MOLA para reduzir a estabilidade.

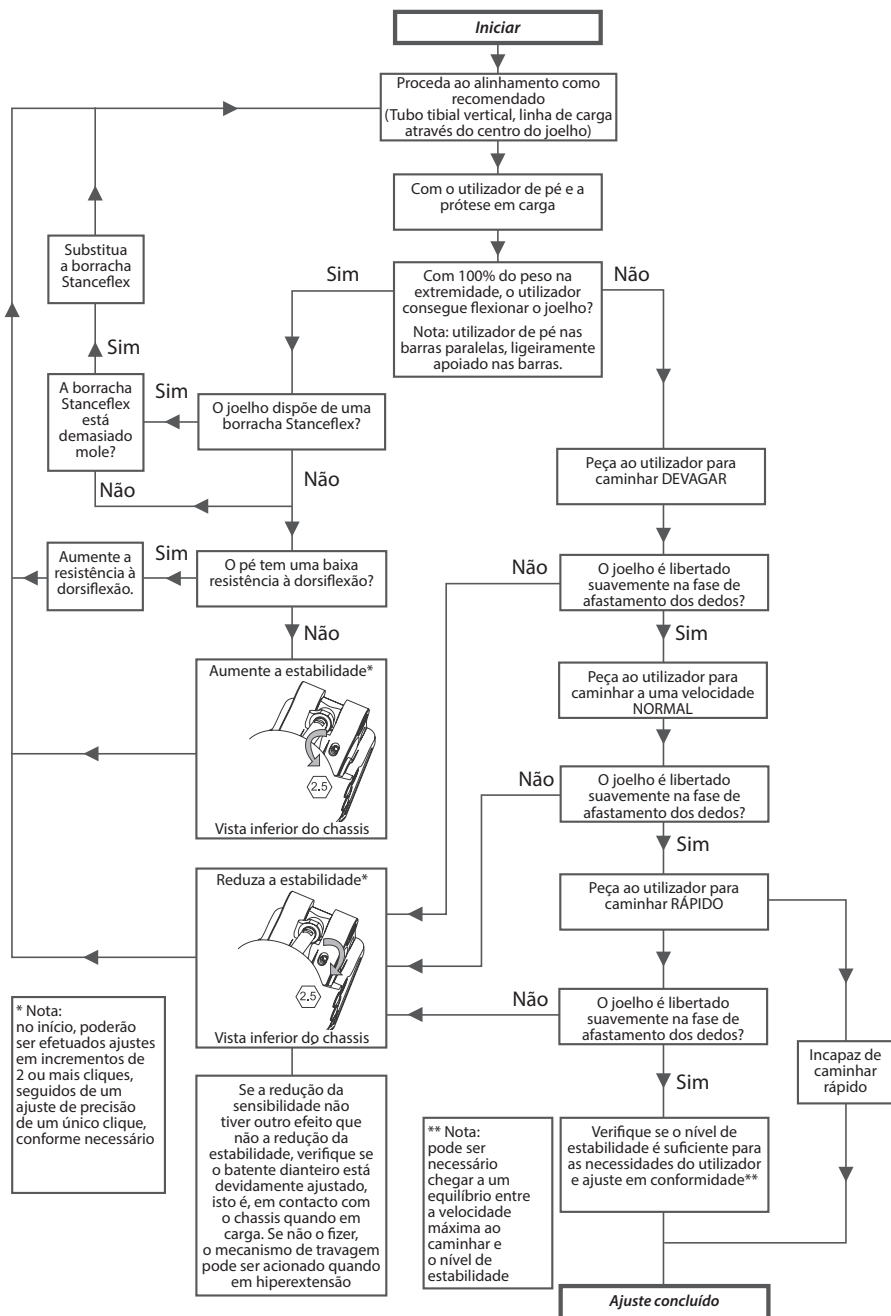
Liberte o dispositivo de ajuste POR MOLA para aumentar a estabilidade (ver acima).

Se necessário, pode reverter todas as definições do dispositivo de ajuste para as predefinições de fábrica. Para o efeito, reduza a estabilidade até ouvir seis cliques a partir da definição máxima de estabilidade.



8 Recomendações de alinhamento e ajuste da estabilidade

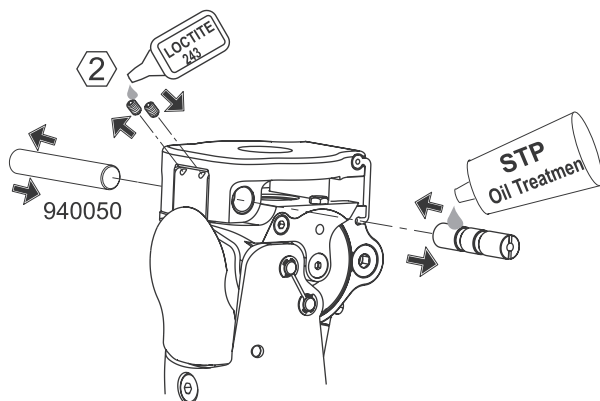
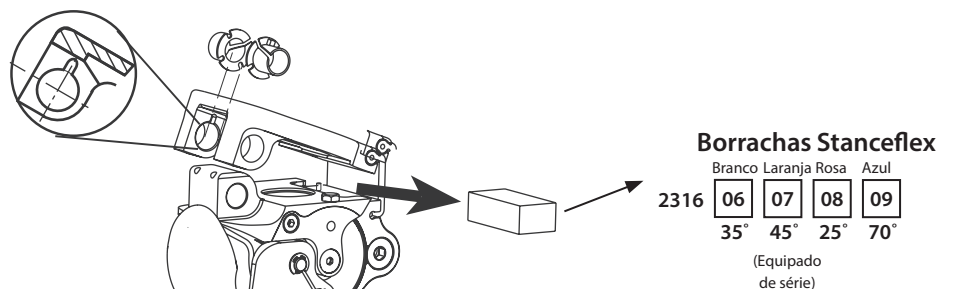
As instruções nesta secção destinam-se apenas ao ortoprotésico.



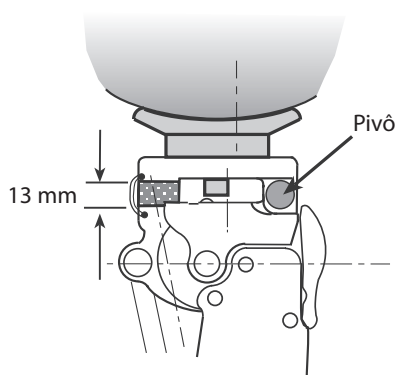
9 Recomendações de ajuste

As instruções nesta secção destinam-se apenas ao ortoprotésico.

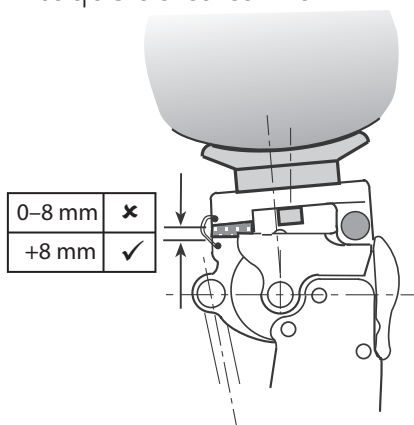
9.1 Substituir as borrachas Stanceflex



Estático



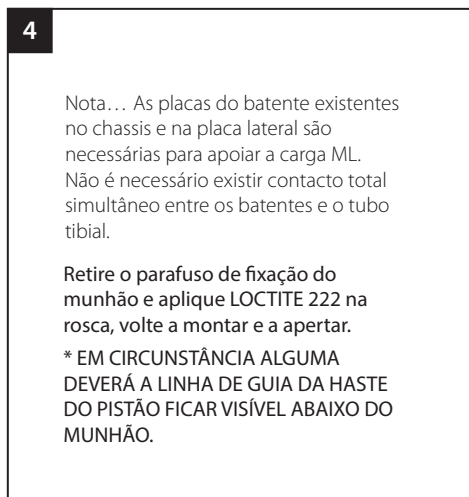
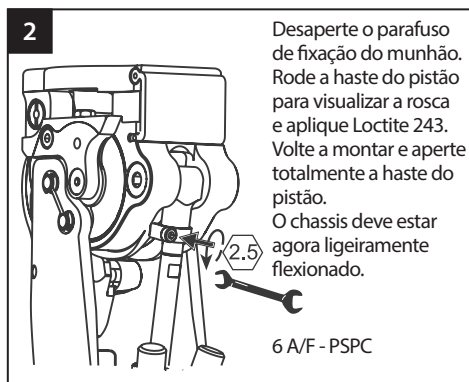
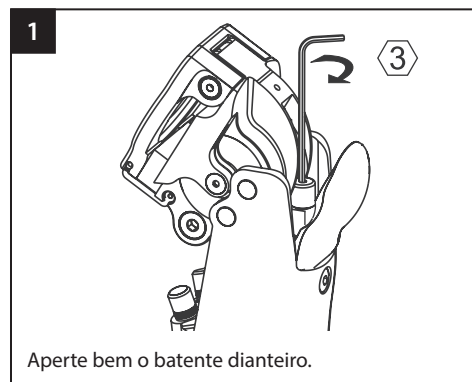
Flexão do joelho após toque do calcanhar



9.2 Ajuste do batente dianteiro - Munhão ajustável

As instruções nesta secção destinam-se apenas ao ortoprotésico.

Equipado no PSPC



Ajuste do batente dianteiro - Prótese inteligente não ajustável

(Como instalado nos modelos SmartIP mais antigos.)

Não é necessário efetuar qualquer ajuste ao utilizar estes cilindros. É necessário que o batente dianteiro esteja totalmente apertado, como ilustrado no Passo 1.

9.3 Ajustes adicionais

As instruções nesta secção destinam-se apenas ao ortoprotésico.

Sintoma	Solução
O joelho não estabiliza	Aumente a sensibilidade
	Desloque o encaixe para a frente
	Substitua o mecanismo de estabilização se o bordo de fuga do travão estiver danificado
	Verifique a borracha Stanceflex e substitua, se necessário (Consulte a espessura mínima em compressão na secção <i>Flexão do joelho após toque do calcanhar</i>)
O joelho não se liberta	Diminua a sensibilidade
	Verifique o ajuste correto do comprimento da haste do pistão
	Desloque o encaixe para trás
A elevação do calcanhar é demasiado elevada durante a fase de balanço	Consulte as instruções de utilização do cilindro de controlo
A elevação do calcanhar é demasiado baixa durante a fase de balanço	Consulte as instruções de utilização do cilindro de controlo
O utilizador sente um impacto terminal	Consulte as instruções de utilização do cilindro de controlo
A extensão do dispositivo não é totalmente conseguida durante a fase de balanço	Consulte as instruções de utilização do cilindro de controlo

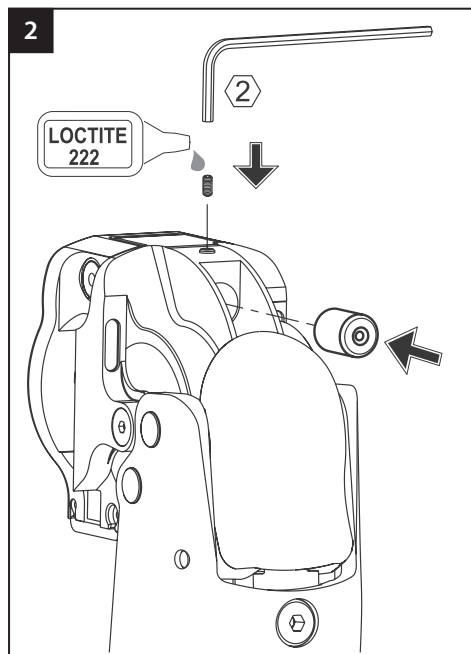
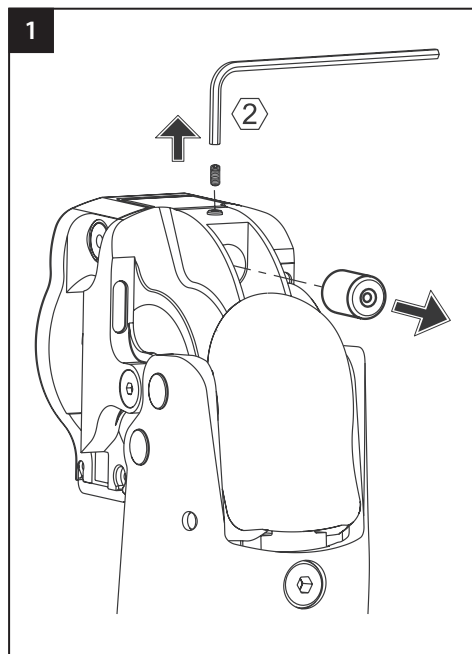
Se depois de seguir estas instruções ainda tiver problemas com o funcionamento, contacte a equipa comercial da sua área para obter aconselhamento.

10 Instruções de montagem

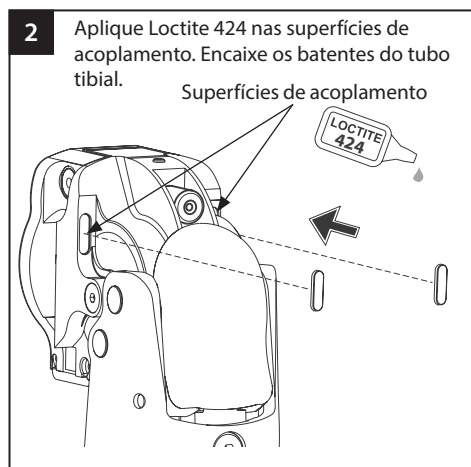
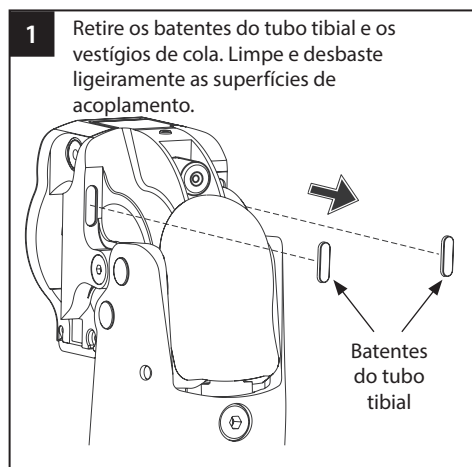
As instruções nesta secção destinam-se apenas ao ortoprotésico.

10.1 Substituir o amortecedor do batente dianteiro

Ao instalar um novo batente dianteiro, faça sempre um novo ajuste e, se aplicável, verifique o comprimento do cilindro se equipado com um munhão ajustável. (Consulte a página anterior.)

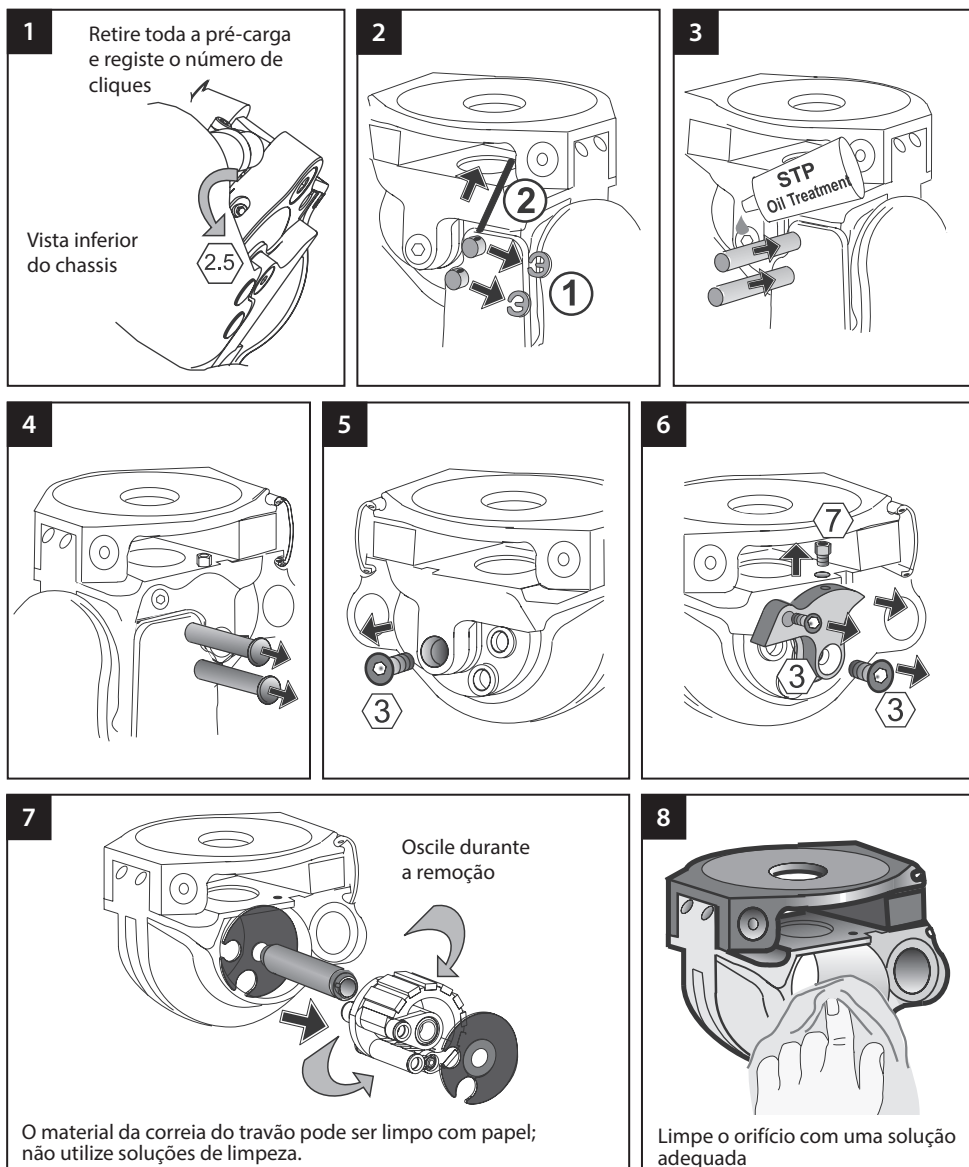


10.2 Substituir os batentes do tubo tibial



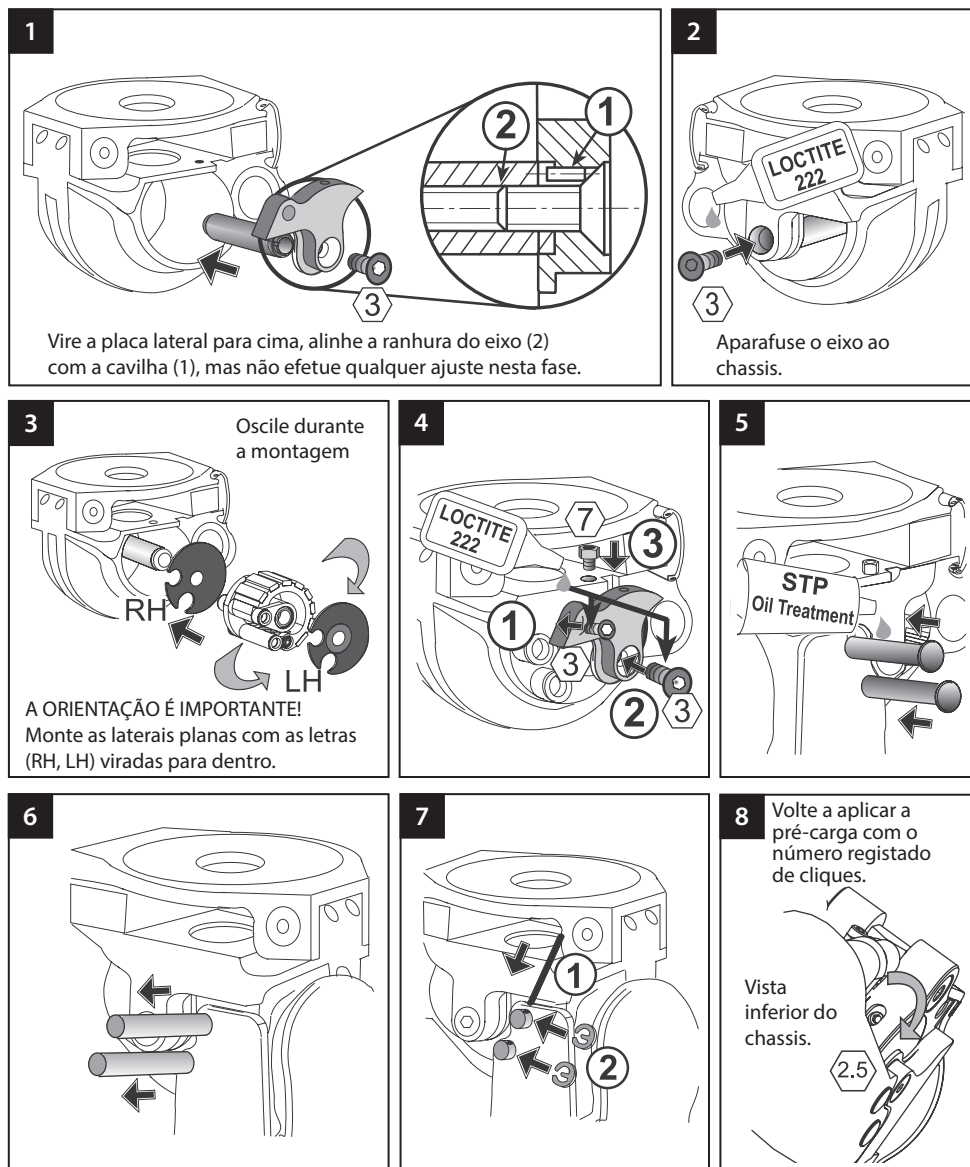
10.3 Retirar o mecanismo ESK+

As instruções nesta secção destinam-se apenas ao ortoprotésico.



10.4 Substituição do mecanismo ESK+

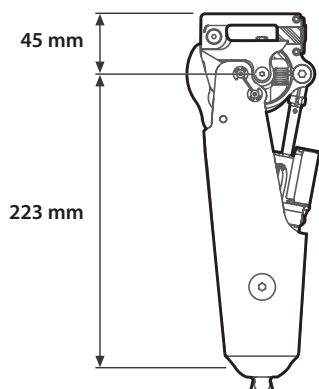
As instruções nesta secção destinam-se apenas ao ortoprotésico.



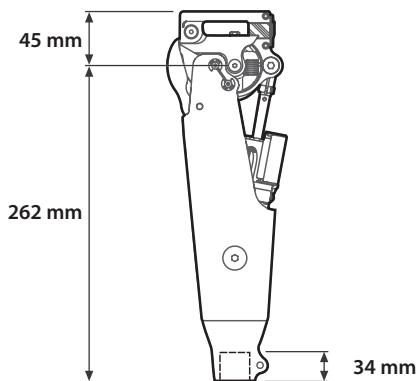
11 Dados técnicos

Intervalo de temperatura de funcionamento e armazenamento:	Entre -15 °C e 50 °C
Peso do componente:	
SmartIP	1,27 kg
PSPC	1,13 kg
Nível de atividade:	2–3 (4)
Peso máximo do utilizador:	
Níveis de atividade 2–3	125 kg
Nível de atividade 4	100 kg
Ângulo de flexão máxima:	140°
Encaixe de alinhamento proximal:	Parafuso único (Blatchford)
Encaixe de alinhamento distal:	Fixação de tubo 30 mm ou pirâmide macho (Blatchford)
Altura de construção:	Ver diagramas abaixo.

Comprimento de ajuste



**ESK+ Stanceflex
com pirâmide distal**



**ESK+ Stanceflex com fixação
de tubo distal 30 mm**

12 Informações para encomendas

Exemplo de encomenda

	ESK+ com Stanceflex							
	Fixação de tubo distal 30 mm				Pirâmide distal			
Cilindro pneumático	ESK	SF	P	30	ESK	SF	P	PYR
	ESK+	Stanceflex	PSPC	Fixação de tubo distal 30 mm	ESK+	Stanceflex	PSPC	Pirâmide distal
Joelho SmartIP	SMARTIP	SF		30	SMARTIP	SF		PYR
	Joelho SmartIP	Stanceflex		Fixação de tubo distal 30 mm	Joelho SmartIP	Stanceflex		Pirâmide distal
Sem cilindro de controlo instalado	ESK	SF		30	ESK	SF		PYR
	ESK+	Stanceflex		Fixação de tubo distal 30 mm	ESK+	Stanceflex		Pirâmide distal

Peças sobressalentes

Item	Peça N.º
Unidade de joelho Stanceflex	239149
Pino de alinhamento do mecanismo ESK	234914
Placa do batente dianteiro	234903
Kit de mecanismo de estabilização ESK+	239949
Batente do tubo tibial	233810

Borracha Stanceflex

Item	Peça N.º
25° Rosa (mole)	231608
35° Branco	231606
45° Laranja (equipado de série)	231607
70° Azul (rígido)	231609

Responsabilidade

O fabricante recomenda utilizar o dispositivo apenas nas condições especificadas e para os fins previstos. A manutenção do dispositivo deve ser efetuada de acordo com as instruções de utilização fornecidas com o dispositivo. O fabricante não é responsável por quaisquer acontecimentos adversos que decorram da combinação de componentes não autorizados pelo mesmo.

Conformidade CE

Este produto cumpre os requisitos do Regulamento (UE) 2017/745 relativo aos dispositivos médicos. Este produto foi classificado como um dispositivo da classe I, de acordo com as regras de classificação estipuladas no anexo VIII do referido regulamento. O certificado da declaração de conformidade UE está disponível no seguinte endereço de Internet: www.blatchford.co.uk



Dispositivo médico



Um doente – utilização múltipla

Compatibilidade

A combinação com produtos da marca Blatchford está autorizada, desde que o produto da outra marca tenha sido testado em conformidade com as normas aplicáveis e o regulamento relativo a dispositivos médicos, nomeadamente o teste estrutural, a compatibilidade dimensional e o desempenho em campo controlado.

A combinação com outros produtos com a marcação CE apenas é permitida após a realização de uma avaliação de riscos local documentada por um ortoprotésico.

Garantia

O presente dispositivo possui uma garantia de 24 meses e a correia do travão possui uma garantia de 12 meses.

O utilizador deve estar informado de que as alterações ou modificações que não sejam expressamente autorizadas irão anular a garantia, as licenças de utilização e as isenções.

Consulte o website da Blatchford para aceder à versão integral da declaração de garantia em vigor.

Comunicação de incidentes graves

No caso improvável de ocorrer um incidente grave com este dispositivo, contacte o fabricante e a sua autoridade nacional competente.

Aspetos ambientais

Este produto contém óleo hidráulico, mistura de metais e plásticos. Quando possível, os componentes devem ser reciclados de acordo com os regulamentos locais de manuseamento de resíduos.

Conservação do rótulo da embalagem

O ortoprotésico deverá guardar o rótulo da embalagem do dispositivo para efeitos de registo do dispositivo fornecido.

Sede social do fabricante

Blatchford Products Limited, Lister Road, Basingstoke RG22 4AH, RU.

Declaração de marcas comerciais

Blatchford é uma marca registada da Blatchford Products Limited.

Obsah	146
1 Popis a zamýšlený účel.....	147
2 Bezpečnostní informace	149
3 Konstrukce.....	150
4 Funkce	151
5 Údržba	151
6 Omezení použití	152
7 Vyrovnání na lavici	153
8 Pokyny k vyrovnání a seřízení stability	154
9 Doporučení k montáži.....	155
9.1 Výměna gum Stanceflex.....	155
9.2 Nastavení předního dorazu – Nastavitelný čep	156
9.3 Další seřízení	157
10 Pokyny k sestavení.....	158
10.1 Výměna nárazníku předního dorazu.....	158
10.2 Výměna dorazů holeně	158
10.3 Odstranění mechanismu ESK+.....	159
10.4 Výměna mechanismu ESK+.....	160
11 Technické údaje	161
12 Informace pro objednávání.....	162

1 Popis a zamýšlený účel

Není-li uvedeno jinak, tento návod k použití je určen pro protetiky a uživatele.

Výraz prostředek, který se používá v těchto pokynech, označuje produkty Stanceflex ESK+.

Přečtěte si prosím veškeré pokyny a ujistěte se, že jim rozumíte, zejména všechny bezpečnostní informace a pokyny pro údržbu.

Použití

Tento prostředek je určen k použití výhradně jako součást protézy dolních končetin.

Tento prostředek je určen pro jednoho uživatele.

Prostředek je jednoosé stabilizované koleno aktivované zatížením s integrovaným prvkem flexe ve fázi postoje a je určen ke zvýšení bezpečnosti a snížení kompenzace.

Holeň může být vybavena systémem ovládání fáze kmitu PSPC (Pneumatic Swing Phase Control) nebo SmartIP (Smart Intelligent Prothesis) nebo může být dodávána bez válce.

Gumový prvek v zadní části kolenního podvozku poskytuje mimořádnou flexi ve fázi postoje.

Vlastnosti

	Ručně seřizovaný systém PSPC	Mikroprocesorem řízený SmartIP
Flexe ve fázi postoje během přenášení hmotnosti:	✓	✓
Robustní rám z uhlíkových vláken	✓	✓
Ohyb kolena 140°	✓	✓
Nastavitelná citlivost stability kolena	✓	✓
Nezávisle manuálně nastavitelné odpory při kmitu pro flexi a extenzi	✓	
Mikroprocesorem řízené ovládání kmitu ve flexi s ručně nastavitelným tlumením nárazů terminálu při extenzi		✓

Stupeň aktivity

Tento prostředek je určen pro uživatele se stupněm aktivity 2, 3 a 4 (pro uvedené hmotnostní limity, viz *Technické údaje*).

Tento prostředek nemusí být vhodný pro uživatele se stupněm aktivity 1 nebo pro použití na soutěžních sportovních akcích. Těmto typům uživatelů může lépe sloužit speciálně navržená protěza, která je optimalizovaná pro jejich potřeby.

Stupeň aktivity 1

Schopnost nebo předpoklady používat protězu pro přesuny nebo pohyb na rovných površích při konstantní rychlosti chůze. Typické pro limitovaný a nelimitovaný interiérový typ uživatele.

Stupeň aktivity 2

Schopnost nebo předpoklady pro chůzi se schopností překonávat malé přírodní nerovnosti a překážky, jako jsou obrubníky, schody nebo nerovné povrchy. Typické pro limitovaný exteriérový typ uživatele.

Stupeň aktivity 3

Schopnost nebo předpoklady pro pohyb s různou rychlostí chůze. Typické pro nelimitovaný typ exteriérového uživatele, který má schopnost překonat většinu přírodních nerovností a může mít odbornou, terapeutickou nebo cvičební aktivitu, která vyžaduje protetické využití nad rámec jednoduché lokomoce.

Stupeň aktivity 4

Schopnost nebo předpoklady protetické aktivity, která přesahuje základní pohybové dovednosti, s očekávanými výraznými rázy, namáháním nebo působením vysoké energie. Typické pro protetické požadavky dítěte, aktivního dospělého nebo sportovce.

Klinické přínosy

- Ovládání postoje aktivované váhou a nastavitelné ovládání kmitu zajišťují hladkou a bezpečnou chůzi s volným kolenem.
- Stanceflex zlepšuje absorpci nárazů.
- Mikroprocesorové řízení kmitu umožňuje optimalizovat charakteristiky chůze v rozsahu rychlostí chůze. (Pouze SmartIP)

Kontraindikace

Tento prostředek není vhodný pro:

- Uživatelé s extrémní svalovou slabostí, kontrakturami, které nelze správně přizpůsobit, nebo proprioceptivní dysfunkcí včetně špatné rovnováhy.
- Uživatelé s kontralaterální nestabilitou kloubů nebo patologií.
- Uživatelé s komplikovaným zdravotním stavem včetně vícečetného postižení.
- Uživatelé, včetně osob s oboustrannou transfemorální amputací, kteří vyžadují funkci výnosu od kolena k sestupu po schodech nebo k sezení. Může to mít za následek poškození brzdového mechanismu a nepříznivě ovlivnit stabilitu a životnost.




Uživatelé musí být před použitím tohoto prostředku proškoleni v chůzi.





Ujistěte se, že uživatel rozumí všem pokynům k použití, a zvláštní pozornost věnujte částem o údržbě a bezpečnostním informacím.


2 Bezpečnostní informace


 Tento varovný symbol zdůrazňuje důležité bezpečnostní informace.


 Neustále mějte na paměti nebezpečí zachycení prstů.


 Jakékoli změny ve výkonu nebo funkci končetiny, např. nestabilita, dvojitý účinek, omezený pohyb, neplynulý pohyb nebo neobvyklé zvuky, by měly být okamžitě nahlášeny poskytovateli protetických služeb.

 Při chůzi ze schodů a vždy, když je k dispozici, používejte zábradlí.


 Jakékoli nadměrné změny výšky paty po dokončení vyrovnání mohou nepříznivě ovlivnit funkci končetin.


 Při řízení se ujistěte, že jsou používána pouze vhodně dovybavená vozidla. Při řízení motorových vozidel jsou všechny osoby povinny dodržovat příslušné zákony.

 Při nošení těžkých břemen buďte opatrní, protože by to mohlo nepříznivě ovlivnit stabilitu prostředku.

 Uživateli by mělo být doporučeno, aby v případě změny stavu kontaktoval svého protetiky.

 Chraňte před extrémním teplem a/nebo chladem.

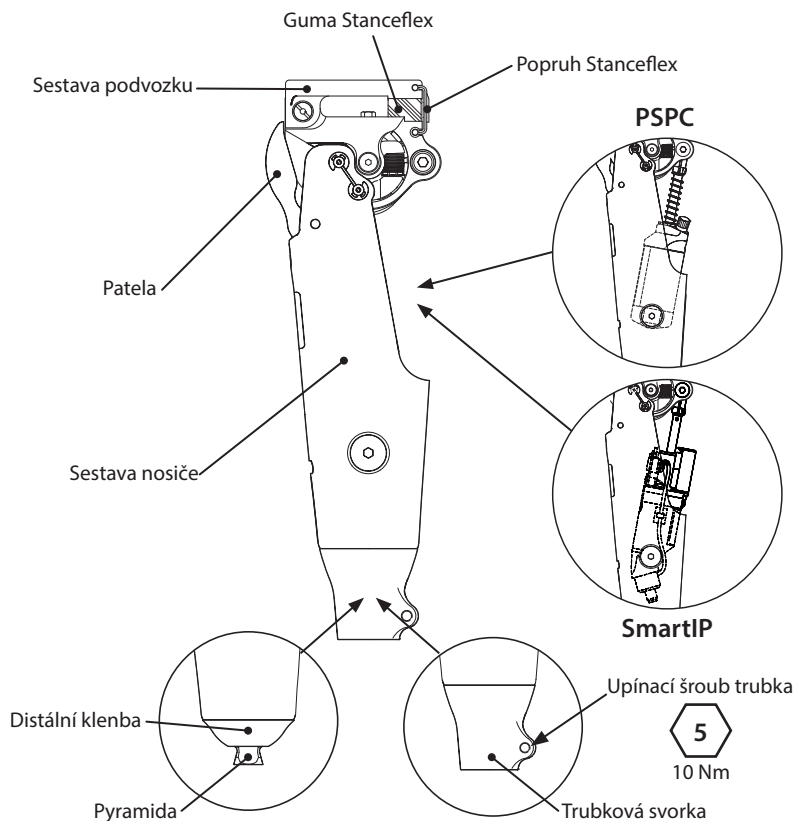
 Sestavení, údržbu a opravy prostředku smí provádět pouze kvalifikovaný protetik.

 Prostředek není určen pro použití ve vodě nebo jako sprchovací protéza. Pokud končetina přijde do styku s vodou, ihned ji otřete do sucha.

3 Konstrukce

Hlavní části

- Sestava nosiče Kompozit z uhlíkových vláken a nerezová ocel
- Sestava podvozku Hliníková slitina, nerezová ocel, technický termoplast, třecí materiál vyztužený vlákny (bez azbestu).
- Distální klenba Hliníková slitina
- Distální pyramida Titan se šroubem z nerezové oceli
- Distální trubková svorka Hliníková slitina
- Patela Technický termoplast
- Guma Stanceflex Přírodní kaučuk
- Popruh Stanceflex Kevlar
- PSPC Hliníková slitina, nerezová ocel, titan, technický termoplast
- SmartIP Hliníková slitina, nerezová ocel, titan, technický termoplast
Elektronické součástky, baterie



4 Funkce

Koleno má jednoosou konstrukci a obsahuje kolenní čep spojující podvozek s nosičem.

V podvozku je umístěn stabilizační kolenní mechanismus aktivovaný vahou. Podvozek kolena má otočně spojenou horní desku, která je pružně podepřena pryžovým blokem, což zajišťuje při zatížení účinek flexe ve fázi postoje a absorbuje rázová zatížení při dopadu paty.

V této sestavě rámu je umístěno ovládání kolena, namontované mezi zadním čepem podvozku a zadním čepem nosiče.

Válec PSpC má ručně nastavitelné ventily, které poskytují nezávislou kontrolu odporu při flexi a extenzi během fáze kmitu.

Ovládací válec SmartIP využívá senzory uvnitř válce ke sledování rychlosti chůze a podle toho automaticky upravuje odpor při flexi. Ovládání extenze se provádí pevným nastavením koncového tlumiče nárazů.

5 Údržba

Prostředek pravidelně vizuálně kontrolujte.

Jakékoli změny ve výkonu tohoto prostředku nahlaste protetikovi / poskytovateli protetických služeb, např. neobvyklé zvuky, zvýšená tuhost, omezené/nadměrné otáčení, výrazné opotřebení nebo nadměrné vyblednutí po dlouhodobé expozici UV záření.

Protetika / poskytovatele protetických služeb informujte o všech změnách tělesné hmotnosti a/nebo úrovně aktivity.

Čištění

K čištění vnějších povrchů použijte vlhký hadřík a jemné mýdlo. **NEPOUŽÍVEJTE** agresivní čisticí prostředky.

Zbývající pokyny v této části jsou určeny pouze pro protetiky.

Tuto údržbu smí provádět pouze kvalifikovaný personál (protetik nebo vhodný vyškolený technik).

Pro udržení optimálního výkonu se doporučuje periodická kontrola nepřijatelného hluku, vůle a stability. Doba mezi kontrolami je určována faktory, jako je aktivita uživatele, frekvence používání a nastavení stability kolena.

Jako vodítko platí, že pokud je nastavení 6 cvaknutí nebo vyšší a uživatel ujde průměrně 600 000 kroků ročně, doporučuje se roční kontrola.

Pokud je nastavení stability menší než 6 cvaknutí a/nebo uživatel chodí méně, než je průměrný počet kroků, může být období mezi kontrolami delší.

K určení počtu kroků se doporučuje použít Limb Activity Monitor (Monitor aktivity končetin).

Doporučujeme přizpůsobit koleno požadavkům na stabilitu jednotlivců, aby byla zajištěna optimální stabilita a odolnost. Viz průvodce nastavením / vývojový diagram.

Při těchto kontrolách:

- Zkontrolujte vizuální vady, které by mohly mít vliv na správnou funkci.
- Zkontrolujte vůli M–L podvozku a zda nedochází k nadměrnému stlačení gumy Stanceflex. V případě potřeby vyměňte ložiska a gumu Stanceflex.
- Zkontrolujte přední doraz a v případě potřeby vyměňte.

- Zkontrolujte dorazy holeně a v případě potřeby vyměňte.
- Demontujte, vyčistěte a znovu namontujte kolenní mechanismus.

Poradte uživateli, že se doporučuje pravidelná vizuální kontrola prostředku a jakékoli změny jeho výkonu musí být nahlášeny protetikovi. Změny ve výkonu zahrnují: zvýšení nebo snížení tuhosti kolena, nestabilitu, sníženou podporu kolena (volný pohyb) či neobvyklý hluk.

Pokud je tento prostředek používán pro extrémní aktivity, musí být zkontrolována úroveň a interval údržby a v případě potřeby vyhledána rada a technická podpora pro plánování nového plánu údržby v závislosti na frekvenci a povaze činnosti. To by mělo být určeno místním hodnocením rizik provedeným vhodně kvalifikovanou osobou.

Skladování a manipulace

Při dlouhodobém skladování by měl být prostředek udržován v suchu a při teplotách v rozmezí -15 °C až 50 °C.

Použijte dodané balení produktu.

6 Omezení použití

Zamýšlená životnost

Místní hodnocení rizik by mělo být provedeno na základě aktivity a použití.

Zvedání břemen

Hmotnost a aktivita uživatele se řídí uvedenými limity.

Povolené zatížení uživatele by měla vycházet z místního posouzení rizik.

Prostředí:

Nevystavujte prostředek korozivním vlivům, jako je voda, kyseliny a jiné kapaliny. Rovněž se vyhněte abrazivním prostředím, jako jsou například prostředky obsahující písek, protože by mohlo dojít k předčasnému opotřebení.

Výhradně pro použití mezi -15 °C a 50 °C.



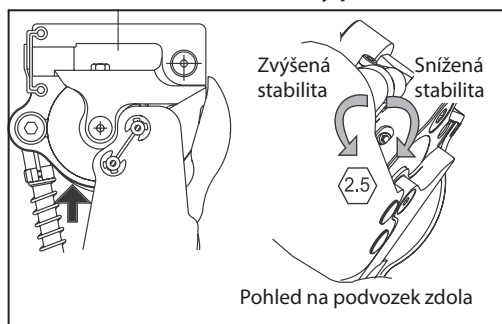
Vhodné pro venkovní použití

7 Vyrovnání na lavici

Pokyny v této části jsou určeny pouze pro protetiky.

Test chůze

Seřizovač sestavy pružin



K seřizovači získáte přístup při plně natažené končetině.

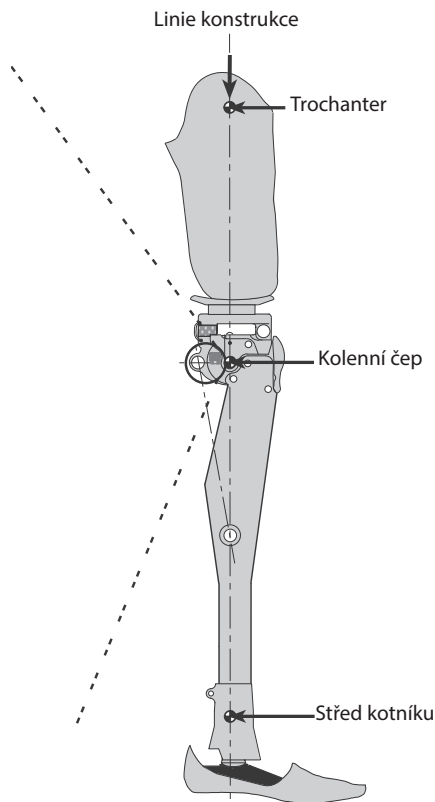
Otáčejte SEŘIZOVAČ SESTAVY PRUŽIN, abyste dosáhli požadované stability pro individuálního pacienta po amputaci.

Poznámka... Po nastavení by mělo být slyšet cvaknutí, seřizovač je samojistící.

Utáhněte SESTAVU PRUŽIN, abyste snížili stabilitu.

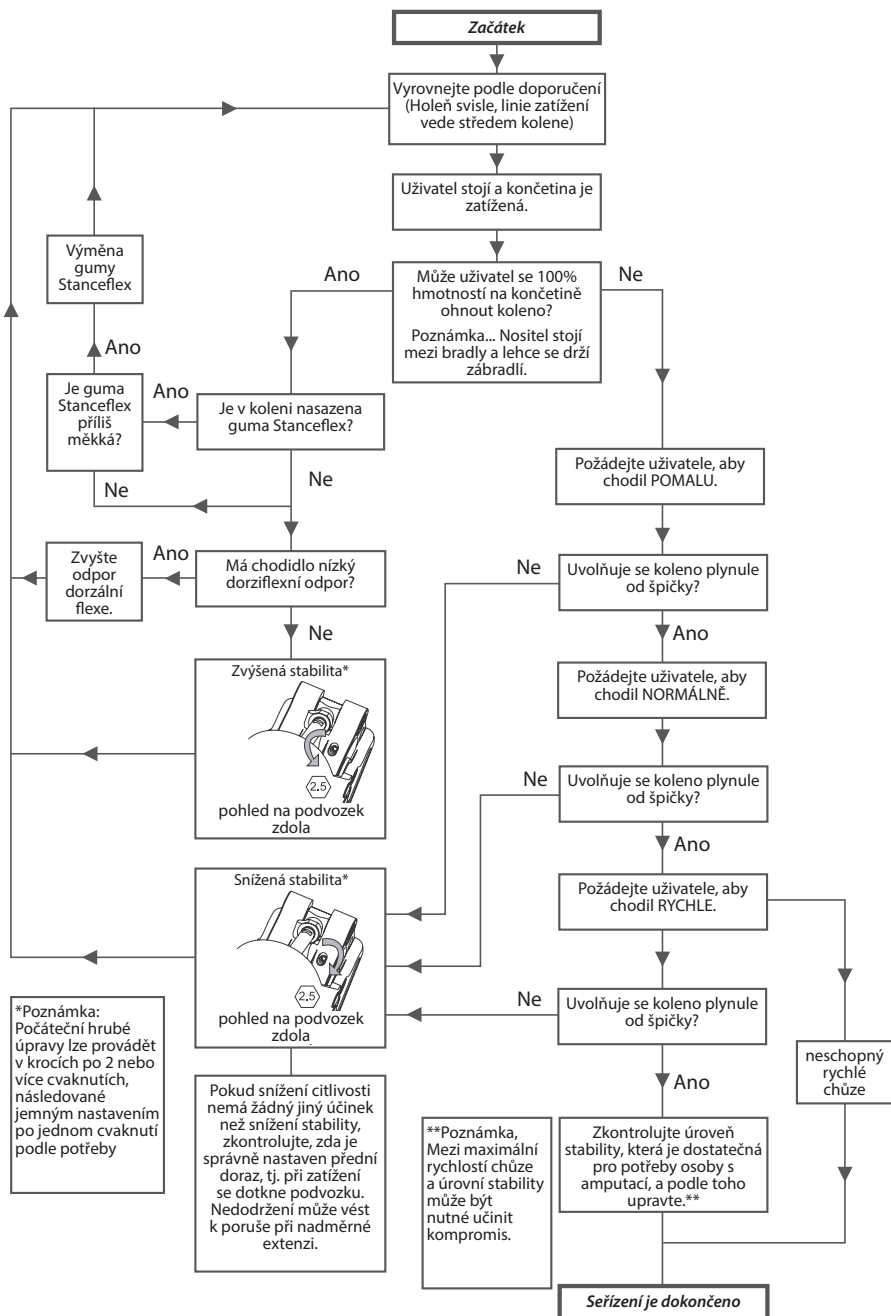
Uvolněte SESTAVU PRUŽIN, abyste zvýšili stabilitu – viz výše.

Pokud je to zapotřebí, lze seřizovač obnovit do výchozího nastavení. Toho lze dosáhnout snížením stability šesti slyšitelnými cvaknutími od nastavení maximální stability.



8 Pokyny k vyrovnání a seřízení stability

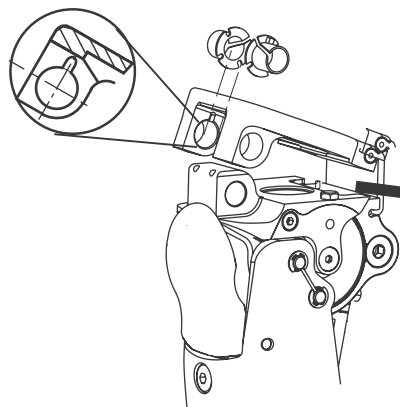
Pokyny v této části jsou určeny pouze pro protetiky.



9 Doporučení k montáži

Pokyny v této části jsou určeny pouze pro protetiky.

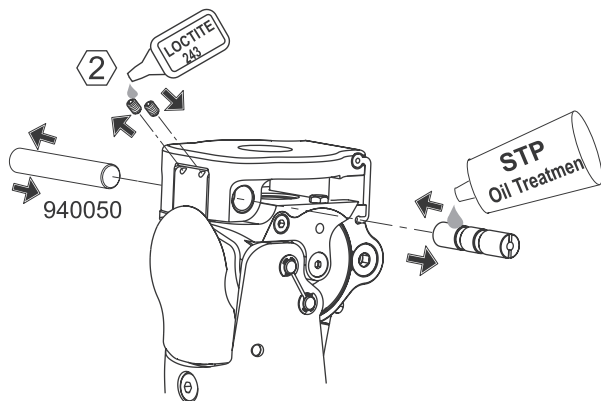
9.1 Výměna gum Stanceflex



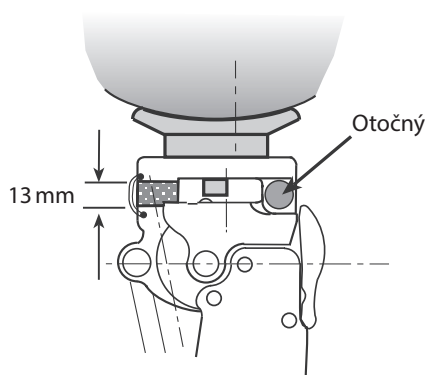
Gumy Stanceflex

	Bílé	Oranžové	Růžové	Modré
2316	06	07	08	09
	35°	45°	25°	70°

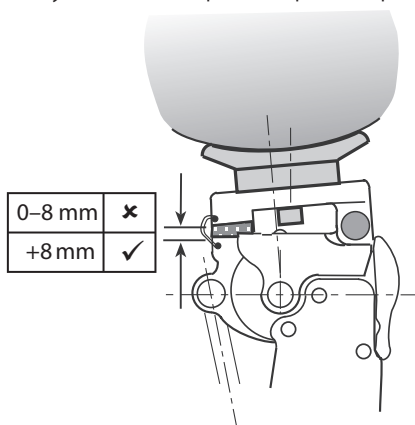
(Používány jako standardní)



Statický



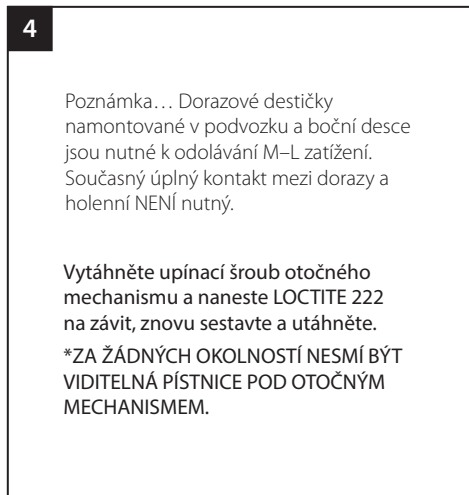
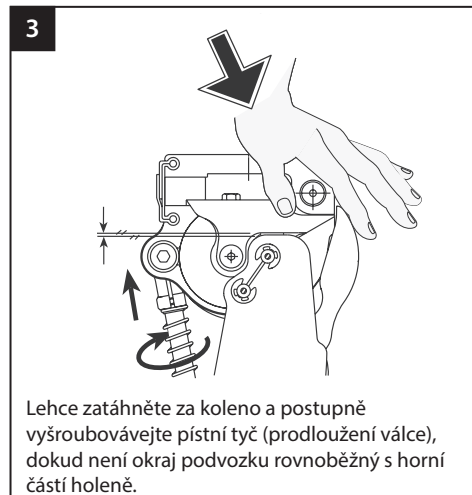
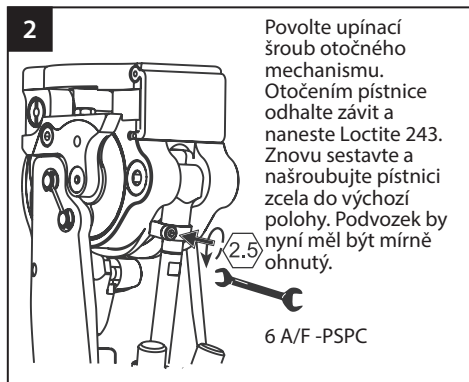
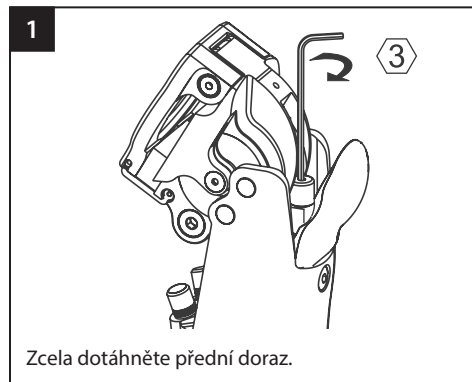
Ohyb kolena po dopadu paty



9.2 Nastavení předního dorazu – Nastavitelný čep

Pokyny v této části jsou určeny pouze pro protetiky.

Upevněno k PSPC.



Nastavení předního dorazu – nenastavitelná inteligentní protéza

(Používána u starších modelů SmartIP.)

Při použití těchto válců není nutné žádné nastavení. Vyžadují úplné dotažení přední zarážky, jak je znázorněno v 1. stupni.

9.3 Další seřízení

Pokyny v této části jsou určeny pouze pro protetiky.

Problém	Řešení
Koleno se nestabilizuje	Zvyšte citlivost.
	Posuňte objímku dopředu.
	Pokud je poškozena zadní hrana brzdy, vyměňte stabilizační mechanismus.
	Zkontrolujte gumu Stanceflex a v případě potřeby vyměňte. (Viz minimální tloušťka při stlačení v části <i>Ohyb flexe po nárazu paty</i>)
Koleno se neuvolní	Snižte citlivost.
	Zkontrolujte správné nastavení délky pístní tyče.
	Posuňte objímku dozadu.
Zdvižení paty během kmitu je příliš velké	Viz návod k použití ovládacího válce.
Zdvižení paty během kmitu je příliš malé	Viz návod k použití ovládacího válce.
Uživatel vnímá koncový dopad.	Viz návod k použití ovládacího válce.
Prostředek během kmitu nedosáhne plné extenze.	Viz návod k použití ovládacího válce.

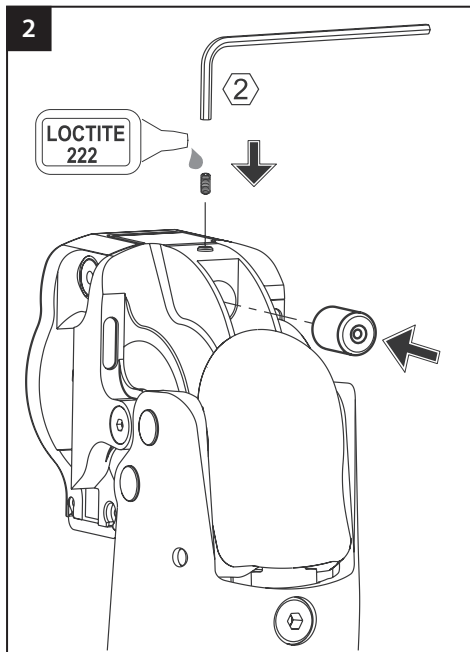
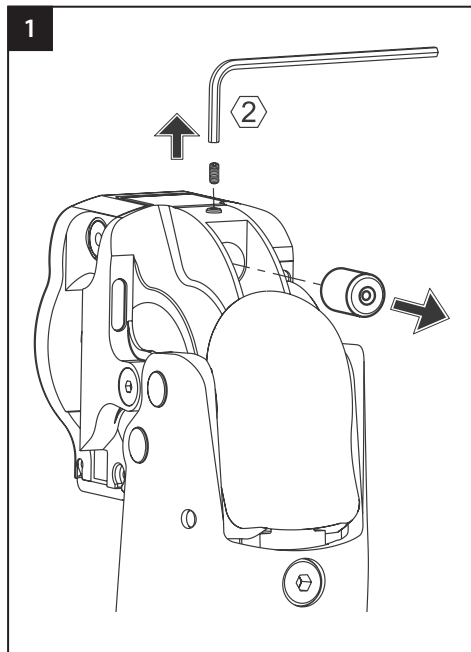
Pokud po provedení těchto pokynů stále existují problémy s funkcí, kontaktujte prosím prodejní tým ve svém regionu a požádejte o radu.

10 Pokyny k sestavení

Pokyny v této části jsou určeny pouze pro protetiky.

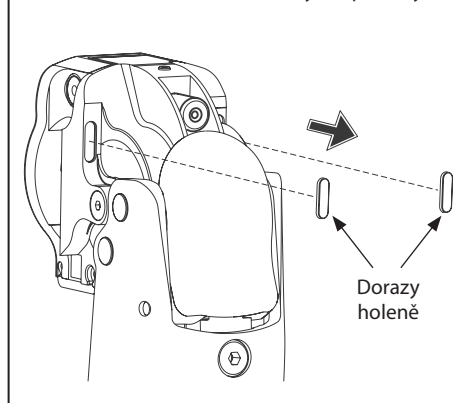
10.1 Výměna nárazníku předního dorazu

Při montáži nového předního dorazu jej vždy znovu seřídte a případně zkontrolujte délku válce, pokud je vybaven nastavitelným otočným mechanismem. (Viz předchozí strana.)

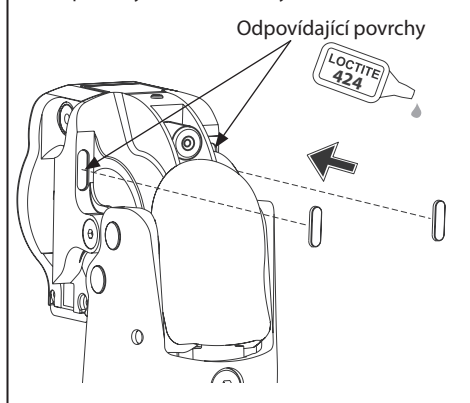


10.2 Výměna dorazů holeně

1 Odstraňte dorazy holeně a zbytky lepidla. Očistěte a lehce obruste styčné povrchy.

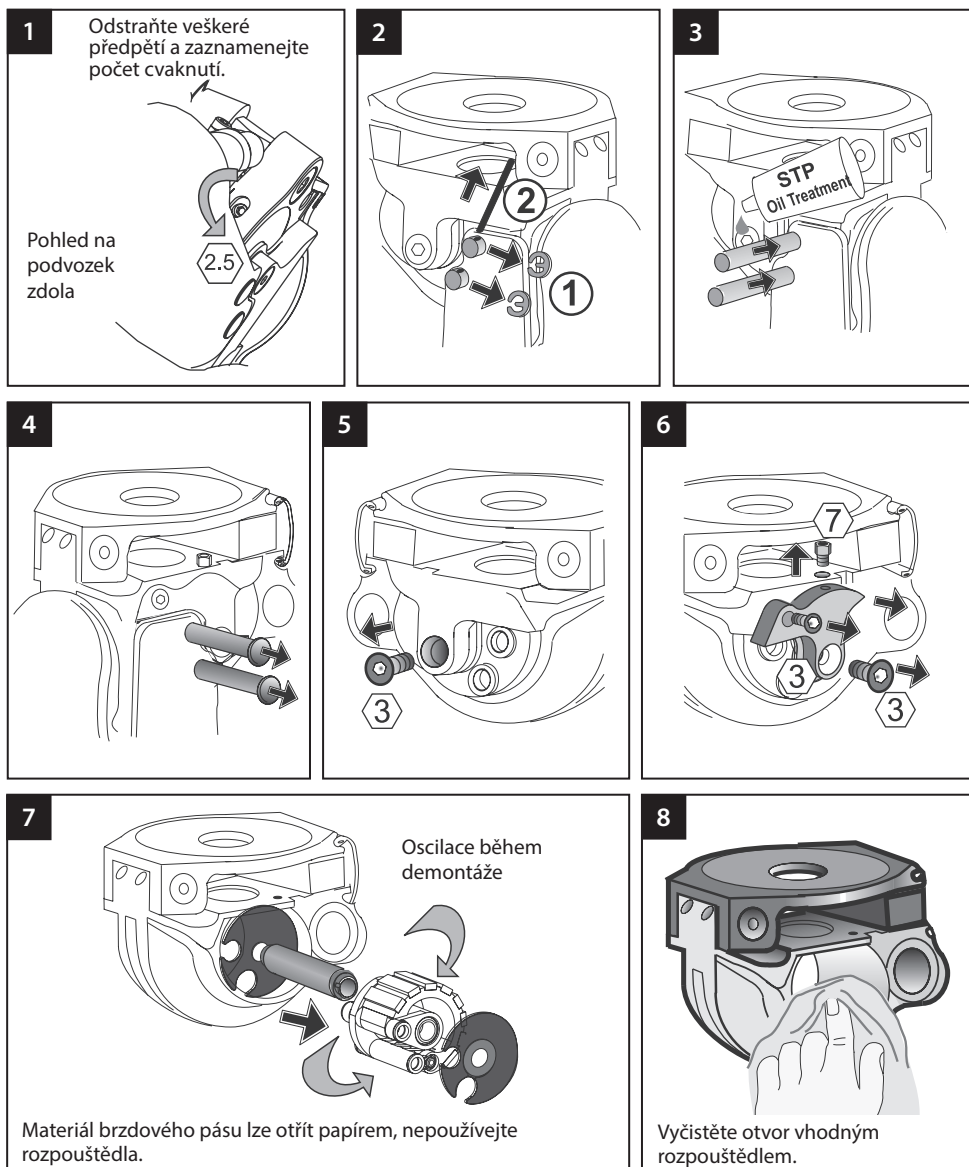


2 Naneste Loctite 424 na odpovídající povrchy. Zatlačte dorazy holeně na místo.



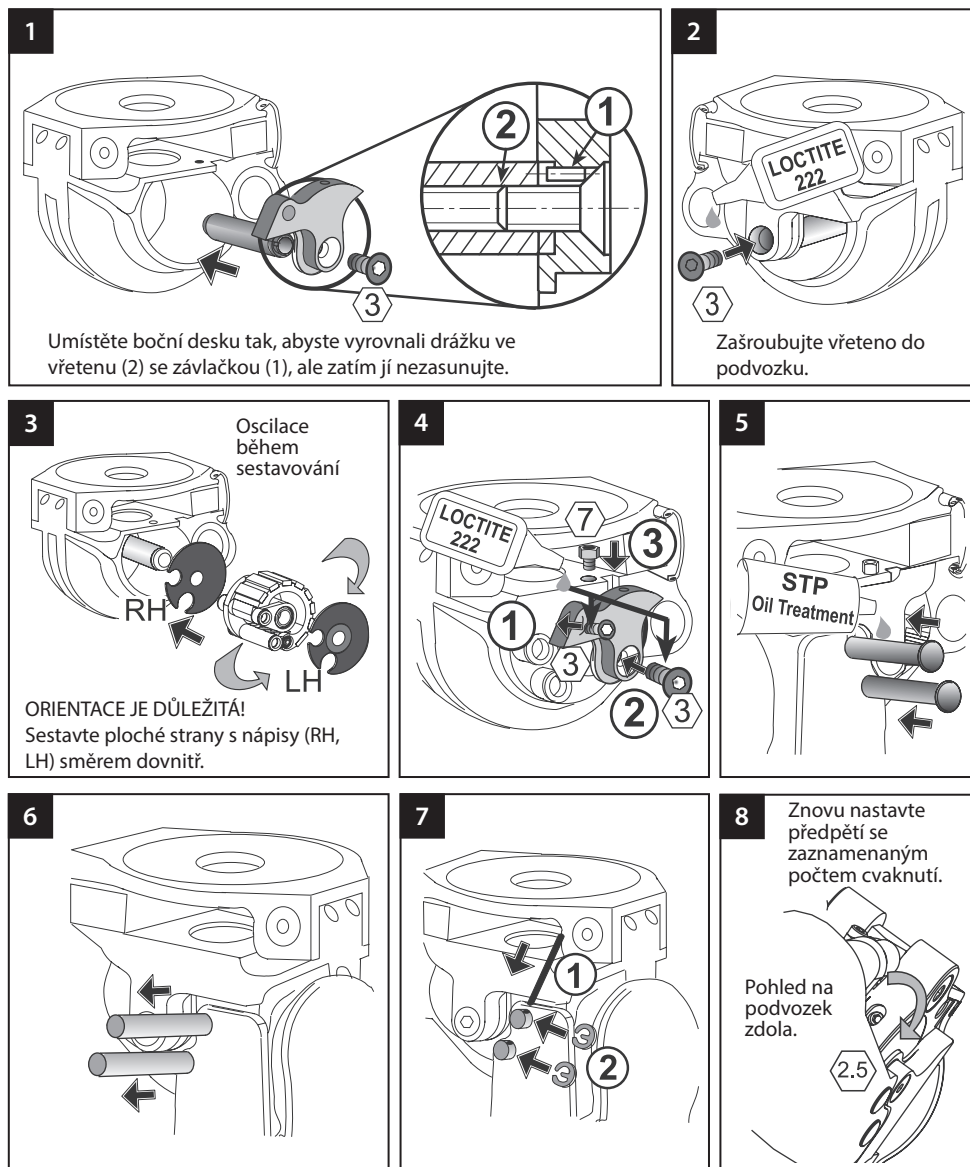
10.3 Odstranění mechanismu ESK+

Pokyny v této části jsou určeny pouze pro protetiky.



10.4 Výměna mechanismu ESK+

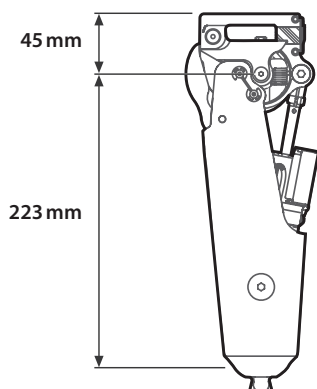
Pokyny v této části jsou určeny pouze pro protetiky.



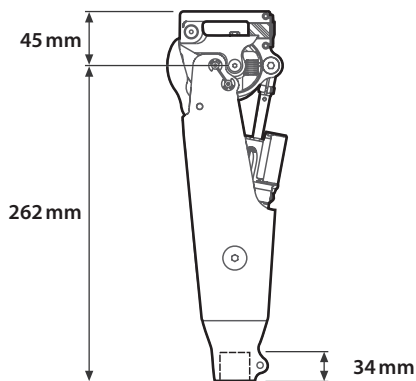
11 Technické údaje

Rozsah provozních a skladovacích teplot:	-15 °C až 50 °C
Hmotnost komponentu.	
SmartIP	1,27 kg
PSPC	1,13 kg
Stupeň aktivity:	2–3 (4)
Maximální hmotnost uživatele:	
Stupně aktivity 2–3	125 kg
Stupeň aktivity 4	100 kg
Maximální úhel flexe:	140°
Upevnění proximálního nástavce:	Samostatný šroub (Blatchford)
Distální vyrovnání nástavce:	Trubková svorka 30 mm nebo vnitřní pyramida (Blatchford)
Výška konstrukce:	Viz obrázky níže.

Délka pro montáž



**ESK+ Stanceflex
s distální pyramidou**



**ESK+ Stanceflex s distální
trubkovou svorkou 30 mm**

12 Informace pro objednávání

Příklad objednávky

	ESK+ se Stanceflex							
	Distální trubková svorka 30 mm				Distální pyramida			
Pneumatický válec	ESK	SF	P	30	ESK	SF	P	PYR
	ESK+	Stanceflex	PSPC	Distální trubková svorka 30 mm	ESK+	Stanceflex	PSPC	Distální pyramida
Koleno SmartIP	SMARTIP	SF	30	SMARTIP	SF	PYR		
	Koleno SmartIP	Stanceflex	Distální trubková svorka 30 mm	Koleno SmartIP	Stanceflex	Distální pyramida		
Bez nasazeného válce	ESK	SF	30	ESK	SF	PYR		
	ESK+	Stanceflex	Distální trubková svorka 30 mm	ESK+	Stanceflex	Distální pyramida		

Náhradní díly

Položka	Část č.
Sestava kolene Stanceflex	239149
Vyrovňovací čep mechanismu ESK	234914
Podložka předního dorazu	234903
Sada stabilizačního mechanismu ESK+	239949
Doraz holene	233810

Guma Stanceflex

Položka	Část č.
25° růžový (měkký)	231608
35° bílý	231606
45° oranžový (používaný jako standardní)	231607
70° modrý (tvrdý)	231609

Zodpovědnost

Výrobce doporučuje používat prostředek pouze za stanovených podmínek a pro zamýšlené účely. Údržba prostředku musí být prováděna v souladu s pokyny k použití, které byly dodány s prostředkem. Výrobce nenes odpovědnost za jakýkoli nepříznivý výsledek způsobený kombinací komponent, které nebyly autorizovány.

Soulad CE

Tento produkt splňuje požadavky směrnice EU 2017/745 o zdravotnických prostředcích. Tento produkt byl klasifikován jako produkt třídy I podle klasifikačních kritérií uvedených v příloze VIII tohoto předpisu. Prohlášení o shodě EU je dostupné na následující internetové adrese: www.blatchford.co.uk



Zdravotnický prostředek



Jeden pacient – více použití

Kompatibilita

Kombinace se značkovými produkty Blatchford je schválena na základě testování v souladu s příslušnými normami a MDR, včetně strukturálních zkoušek, rozměrové kompatibility a sledovaného výkonu v terénu.

Kombinace s alternativními produkty s označením CE musí být provedena s ohledem na zdokumentované místní posouzení rizik provedené protetikem.

Záruka

Na tento prostředek se poskytuje záruka po dobu 24 měsíců, na brzdový pás 12 měsíců.

Uživatel by si měl být vědom, že změny nebo úpravy, které nejsou výslovně schváleny, mohou zrušit platnost záruky, provozních licencí a výjimek.

Aktuální úplné prohlášení o záruce naleznete na webových stránkách společnosti Blatchford.

Hlášení vážných nehod

V nepravděpodobném případě, že dojde k vážné nehodě v souvislosti s tímto prostředkem, měla by být nahlášena výrobci a příslušnému národnímu orgánu.

Aspekty životního prostředí

Tento výrobek obsahuje hydraulický olej, směsné kovy a plasty. Pokud je to možné, měly by být komponenty recyklovány v souladu s místními předpisy pro nakládání s odpady.

Uchování štítku na obalu

Protetikovi se doporučuje uchovat štítek na obalu jako záznam o dodaném prostředku.

Sídlo výrobce

Blatchford Products Limited, Lister Road, Basingstoke RG22 4AH, Spojené království.

Uznání ochranné známky

Blatchford je registrovaná ochranná známka společnosti Blatchford Products Limited.

blatchford.co.uk/distributors

Blatchford Products Ltd.

Unit D Antura
Kingsland Business Park
Basingstoke
RG24 8PZ
UNITED KINGDOM
Tel: +44 (0) 1256 316600
Fax: +44 (0) 1256 316710
Email: customer.service@blatchford.co.uk
www.blatchford.co.uk

Blatchford Inc.

1031 Byers Road
Miamisburg
Ohio 45342
USA
Tel: +1 (0) 800 548 3534
Fax: +1 (0) 800 929 3636
Email: info@blatchfordus.com
www.blatchfordus.com

Blatchford Europe GmbH

Am Prime-Parc 4
65479 Raunheim
GERMANY
Tel: +49 (0) 9221 87808 0
Fax: +49 (0) 9221/87808 60
Email: info@blatchford.de
www.blatchford.de

Email: contact@blatchford.fr
www.blatchford.fr

Endolite India Ltd.

A4 Naraina Industrial Area
Phase - 1
New Delhi
INDIA – 110028
Tel: +91 (011) 45689955
Fax: +91 (011) 25891543
Email: endolite@vsnl.com
www.endoliteindia.com

Ortopro AS

Hardangervegen 72
Seksjon 17
5224 Nesttun
NORWAY
Tel: +47 (0) 55 91 88 60
Email: post@ortopro.no
www.ortopro.no



Blatchford Europe GmbH
Am Prime-Parc 4
65479 Raunheim Germany

