

ESK+ Stanceflex

Instructions for Use

ESKSFP30
ESKSFP30PYR

SMARTIPSF30
SMARTIPSF30PYR

ESKSF30
ESKSF30PYR

EN	Instructions for Use	2
SL	Navodila za uporabo	20
BG	Инструкции за употреба	38
HR	Upute za uporabu	56
SK	Návod na použitie	74
HU	Használati útmutató	92
EL	Οδηγίες χρήσης	110
LV	Lietošanas pamācība	128
LT	Naudojimo instrukcija	146
ET	Kasutusjuhend	164

Contents	2
1 Description and Intended Purpose	3
2 Safety Information	5
3 Construction	6
4 Function.....	7
5 Maintenance	7
6 Limitations on Use	8
7 Bench Alignment.....	9
8 Alignment Advice and Stability Adjustment.....	10
9 Fitting Advice.....	11
9.1 Changing Stanceflex Rubbers	11
9.2 Front Stop Adjustment - Adjustable Trunnion	12
9.3 Further Adjustments.....	13
10 Assembly Instructions	14
10.1 Changing Front Stop Buffer.....	14
10.2 Changing Shin Stops.....	14
10.3 Removing ESK+ Mechanism	15
10.4 Replacement of ESK+ Mechanism	16
11 Technical Data	17
12 Ordering Information	18

1 Description and Intended Purpose

These Instructions for Use are intended for use by the practitioner and user unless otherwise stated.

The term device is used throughout these instructions for use to refer to Stanceflex ESK+ products.

Please read and ensure you understand all instructions for use, in particular all safety information and maintenance instructions.

Application

This device is to be used exclusively as part of a lower limb prosthesis.

This device is for a single user.

The device is a uniaxial weight activated stabilized knee with integrated stance flexion element and is intended to improve safety and reduce compensation.

The shin can be fitted with a PSPC (Pneumatic Swing Phase Control) or SmartIP (Smart Intelligent Prosthesis) swing phase control or supplied without a cylinder.

A rubber element at the rear of the knee chassis provides extra stance flexion.

Features

	Manually adjusted PSPC	Microprocessor controlled SmartIP
Stance flexion during weight bearing	✓	✓
Tough carbon fibre frame	✓	✓
140 degree knee flexion	✓	✓
Adjustable sensitivity of knee stability	✓	✓
Independent manually adjustable swing controls for flexion and extension	✓	
Microprocessor controlled swing control in flexion with manually adjustable terminal impact damping in extension		✓

Activity Level

This device is for Activity Level 2, 3 and 4 users (weight limits apply, see *Technical Data*).

This device might not be suitable for Activity Level 1 users or for use in competitive sports events. These types of users might be better served by a specially designed prosthesis that is optimized for their needs.

Activity Level 1

Has the ability or potential to use a prosthesis for transfers or ambulation on level surfaces at fixed cadence. Typical of the limited and unlimited household ambulator.

Activity Level 2

Has the ability or potential for ambulation with the ability to traverse low-level environmental barriers such as curbs, stairs, or uneven surfaces. Typical of the limited community ambulator.

Activity Level 3

Has the ability or potential for ambulation with variable cadence. Typical of the community ambulator who has the ability to traverse most environmental barriers and may have vocational, therapeutic, or exercise activity that demands prosthetic utilization beyond simple locomotion.

Activity Level 4

Has the ability or potential for prosthetic ambulation that exceeds basic ambulation skills, exhibiting high impact, stress, or energy levels. Typical of the prosthetic demands of the child, active adult, or athlete.

Clinical Benefits

- Weight-activated stance control and adjustable swing control provide smooth, safe gait with a free knee.
- Stanceflex improves shock absorption.
- Microprocessor swing control allows optimized gait characteristics across a range of walking speeds. (SmartIP only.)

Contraindications

This device is not suitable for:

- Users with extreme muscular weakness, contractures that cannot be correctly accommodated, or proprioceptive dysfunction including poor balance.
- Users with contralateral joint instabilities or pathology.
- Users with complicated conditions involving multiple disabilities.
- Users, including bilateral transfemoral amputees, who require a yielding function from the knee to descend stairs or to sit. This can result in damage of the brake mechanism that can adversely affect stability and durability.



Users must be given gait training before using this device.



Make sure that the user has understood all instructions for use, drawing particular attention to all maintenance and safety information sections.

2 Safety Information



This warning symbol highlights important safety information.



Beware of finger trap hazard all times.



Any changes in the performance or function of the limb e.g. instability, double-action, restricted movement, non-smooth motion or unusual noises should be immediately reported to your service provider.



Always use a hand rail when descending stairs and at any other time if available.



Any excessive changes in the heel height after finalization of alignment may adversely affect limb function.



Ensure only suitably retrofitted vehicles are used when driving. All persons are required to observe their respective driving laws when operating motor vehicles.



Care should be taken when carrying heavy loads as this may adversely affect the stability of the device.



The user should be advised to contact their practitioner if their condition changes.



Avoid exposure to extreme heat and/or cold.



Assembly, maintenance and repair of the device must only be carried out by a suitably qualified clinician.

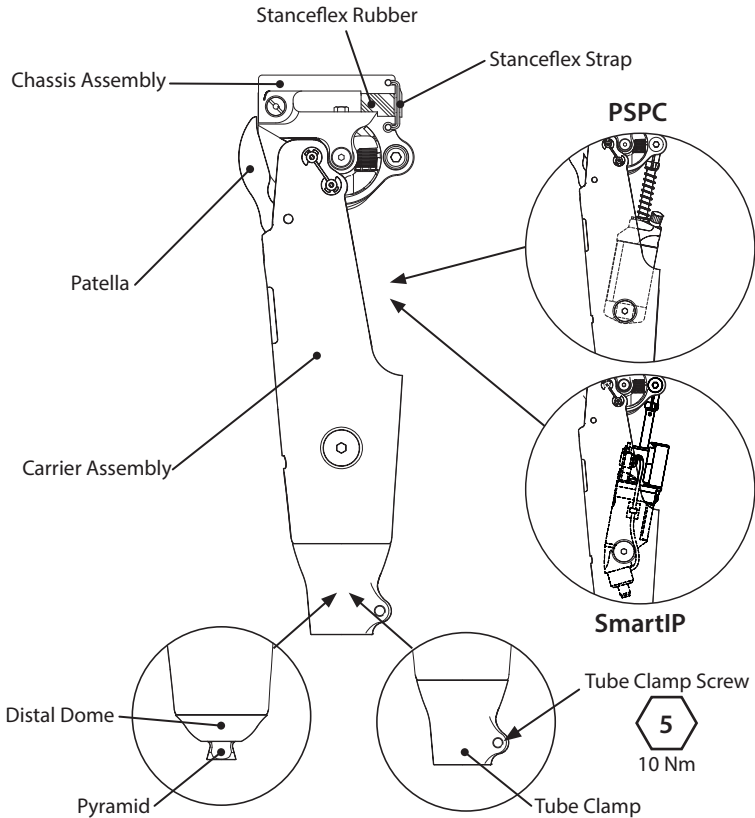


The device is not intended for use when immersed in water or as a shower prosthesis. If the limb comes into contact with water wipe dry immediately.

3 Construction

Principal Parts

- Carrier Assembly Carbon fibre composite & stainless steel
- Chassis Assembly Aluminium alloy, stainless steel, engineering thermoplastic, fibre reinforced (asbestos free) friction material.
- Distal Dome Aluminium alloy
- Distal Pyramid Titanium with stainless steel bolt
- Distal Tube Clamp Aluminium alloy
- Patella Engineering thermoplastic
- Stanceflex Rubber Natural rubber
- Stanceflex strap Kevlar
- PSpC Aluminium alloy, stainless steel, titanium, engineering thermoplastic
- SmartIP Control Cylinder Aluminium alloy, stainless steel, Titanium, engineering thermoplastic
Electronic components, batteries



4 Function

The knee is a uniaxial design comprising a knee pivot connecting a chassis to a carrier. A weight activated stabilizing knee mechanism is housed within the chassis. The knee chassis has a pivotally connected top plate which is resiliently supported by a rubber block, this provides a stance flexion action under load and absorbs shock loads at heel strike.

A knee control cylinder sits within this frame assembly, fitted between the chassis posterior pivot and the carrier distal pivot.

The PSPC cylinder has manually adjustable valves which give independent control of flexion and extension resistance during swing phase.

The SmartIP control cylinder uses sensors inside the cylinder to monitor walking speed and automatically adjusts flexion resistance accordingly. Extension control is via fixed adjustment of a terminal impact damper.

5 Maintenance

Visually check the device regularly.

Report any changes in performance of this device to the practitioner/service provider e.g. unusual noises, increased stiffness or restricted/excessive rotation, significant wear or excessive discoloration from long term exposure to UV.

Inform the practitioner/service provider of any changes in body weight and/or activity level.

Cleaning

Use a damp cloth and mild soap to clean the outside surfaces. DO NOT use aggressive cleansers.

The remaining instructions in this section are for practitioner use only.

This maintenance must be carried out only by competent personnel (practitioner or suitable trained technician).

To maintain optimum performance, a periodic inspection for unacceptable noise, play and stability is recommended. The period between inspections is determined by factors such as the activity of the user, frequency of usage and the stability setting of the knee.

As a guide, if the setting is 6 clicks or above and the user averages 600,000 steps per annum, an annual inspection is recommended.

If the stability setting is less than 6 clicks and/or the user averages fewer than the average number of steps, the period in between inspections may be longer.

The use of a Limb Activity Monitor is recommended to determine step count.

We recommend adjusting the knee to the individuals' stability requirements to ensure optimal stability and durability. See adjustment guide/flow diagram.

At these inspections:

- Check for visual defects that may affect proper function.
- Check for M-L play of chassis and excess compression of the Stanceflex rubber. Replace bearings and Stanceflex rubber if necessary.
- Check front stop and replace if necessary.
- Check shin stops and replace if necessary.
- Dis-assemble, clean and reassemble knee mechanism.

Advise the user that a regular visual check of the device is recommended and any changes in performance of this device must be reported to the practitioner. Changes in performance may include: increase or decrease in knee stiffness, instability, reduced knee support (free movement), any unusual noise.

If this device is used for extreme activity, the maintenance level and interval should be reviewed and if required advice and technical support sought to plan a new maintenance schedule dependent upon the frequency and nature of the activity. This should be determined by a local risk assessment carried out by a suitably qualified individual.

Storage and Handling

When storing for prolonged periods, the device should be kept dry and within a temperature range of -15 °C to 50 °C. (5 °F to 122 °F)

Use product packaging supplied.

6 Limitations on Use

Intended life:

A local risk assessment should be carried out based upon activity and usage.

Lifting Loads

User weight and activity is governed by the stated limits.

Load carrying by the user should be based on a local risk assessment.

Environment:

Avoid exposing the device to corrosive elements such as water, acids and other liquids. Also avoid abrasive environments such as those containing sand for example as these may promote premature wear.

Exclusively for use between -15 °C and 50 °C
(5 °F to 122 °F)



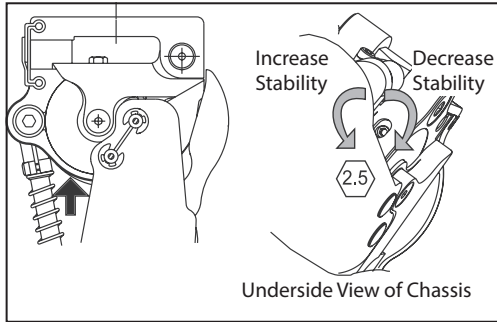
Suitable for outdoor use

7 Bench Alignment

The instructions in this section are for practitioner use only.

Walking Trials

Spring Stack Adjuster



Fully extend limb to access the adjuster.

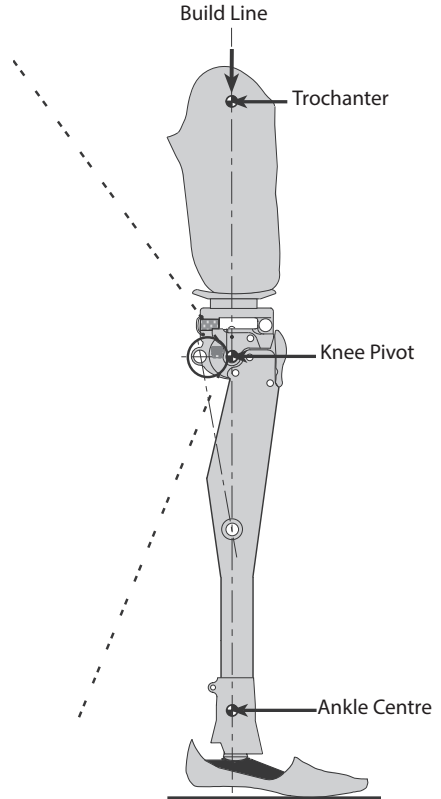
Rotate the **SPRING STACK ADJUSTER** to achieve the required stability for the individual amputee.

Note... Audible clicks should be heard upon adjustment, and the adjuster is self locking.

Tighten the SPRING STACK to reduce stability.

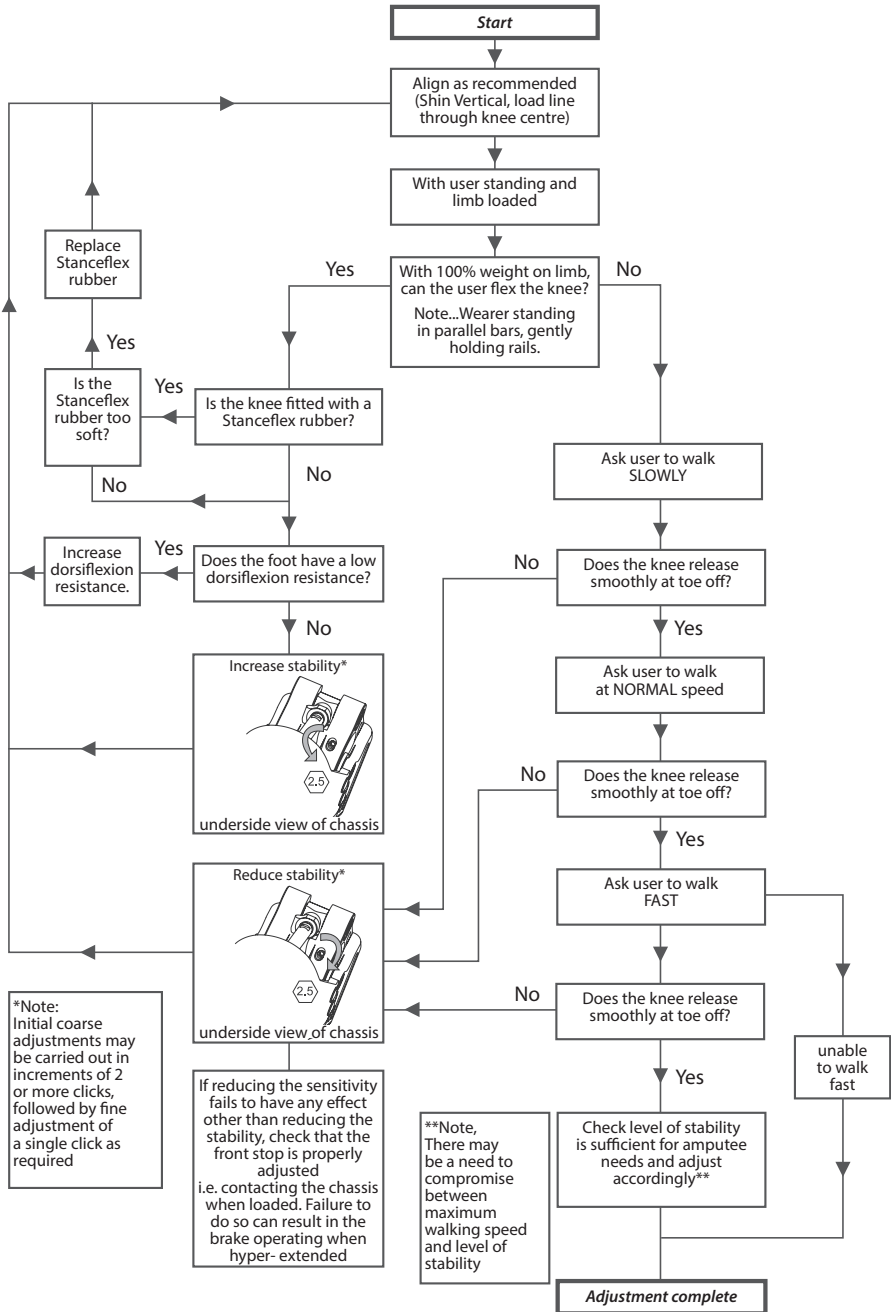
Release the SPRING STACK to increase stability
- See above.

If required, the adjuster may be reset to the factory setting. This can be achieved by reducing stability by six audible clicks from the maximum stability setting.



8 Alignment Advice and Stability Adjustment

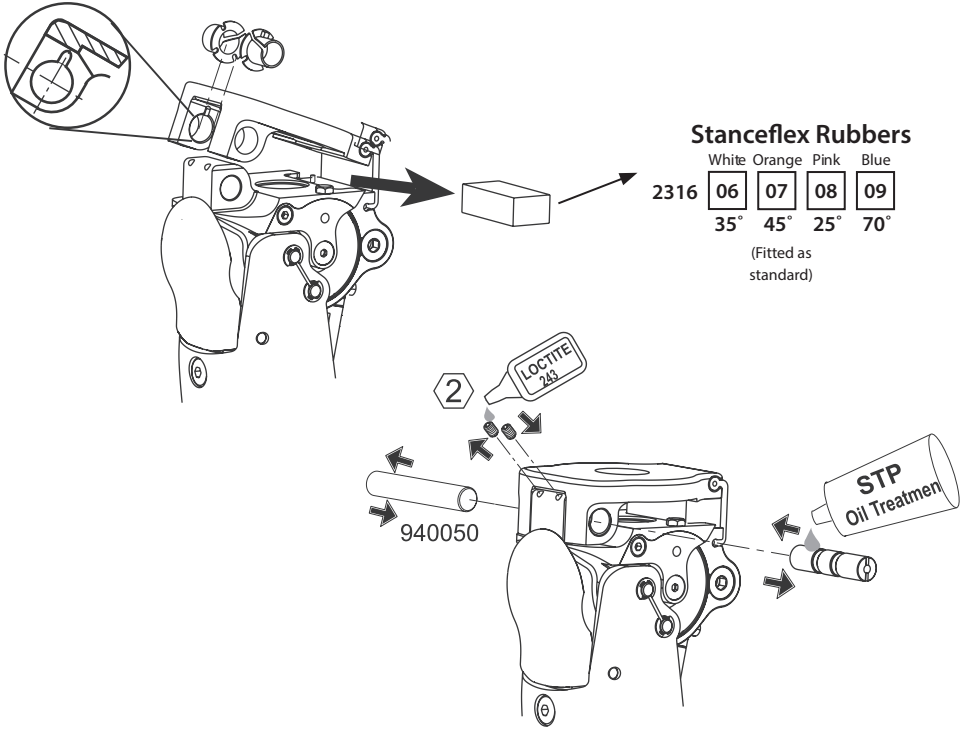
The instructions in this section are for practitioner use only.



9 Fitting Advice

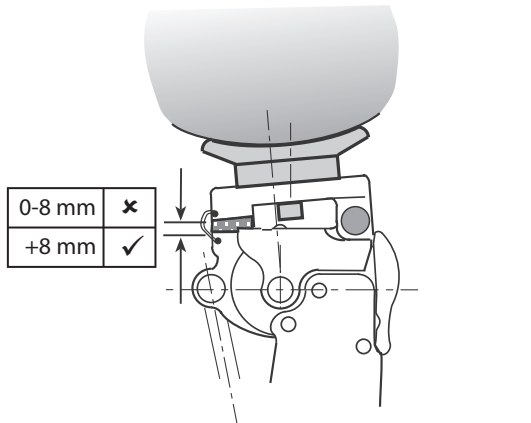
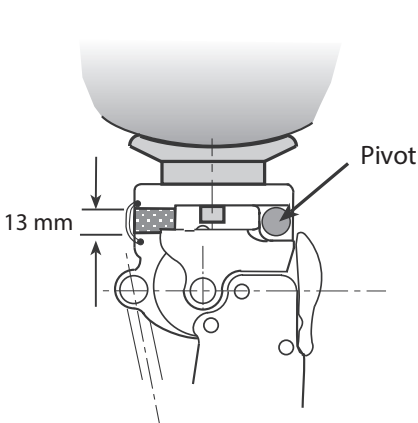
The instructions in this section are for practitioner use only.

9.1 Changing Stanceflex Rubbers



Static

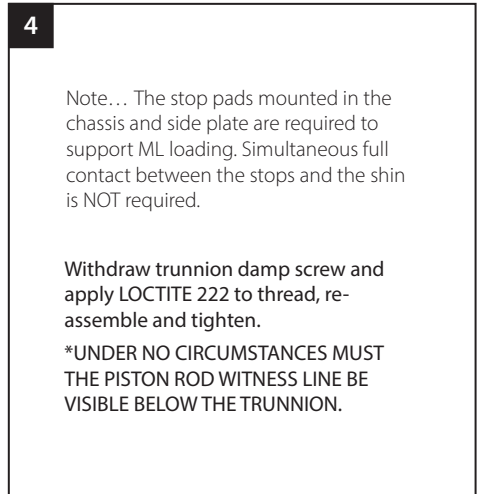
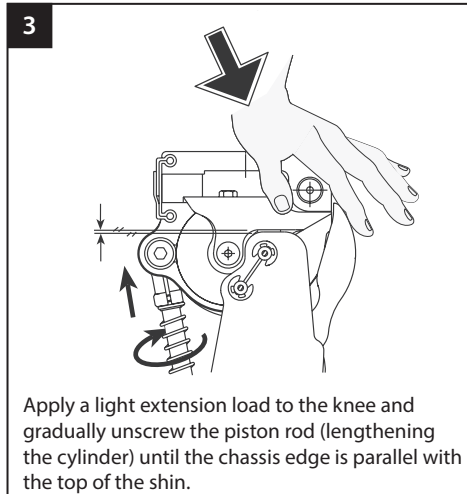
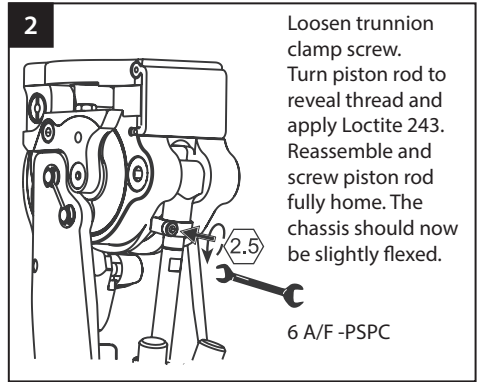
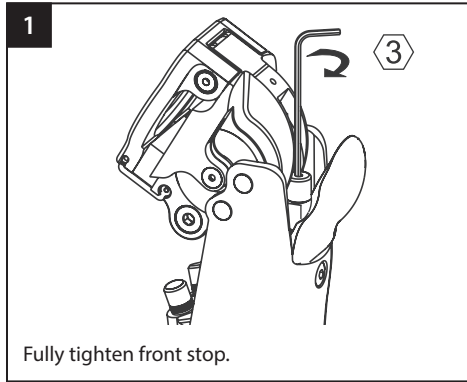
Knee Flexion Following Heel Strike



9.2 Front Stop Adjustment - Adjustable Trunnion

The instructions in this section are for practitioner use only.

Fitted to the PSPC



Front Stop Adjustment - Non-Adjustable Intelligent Prosthesis

(As fitted to older SmartIP models.)

No adjustment is necessary when using these cylinders. They require the front stop to be fully tightened as shown in Stage 1.

9.3 Further Adjustments

The instructions in this section are for practitioner use only.

Symptom	Solution
Knee does not stabilise	Increase sensitivity
	Shift socket Anteriorly
	Replace stabilizing mechanism if trailing edge of brake is damaged
	Check Stanceflex rubber and replace if necessary (See minimum thickness in compression in <i>Knee Flexion Following Heel Strike</i> section)
Knee does not release	Decrease sensitivity
	Check correct adjustment of piston rod length
	Shift socket posteriorly
Heel rise too high during swing	See control cylinder IFU
Heel rise too low during swing	See control cylinder IFU
User experiences terminal impact	See control cylinder IFU
Device does not fully extend during swing	See control cylinder IFU

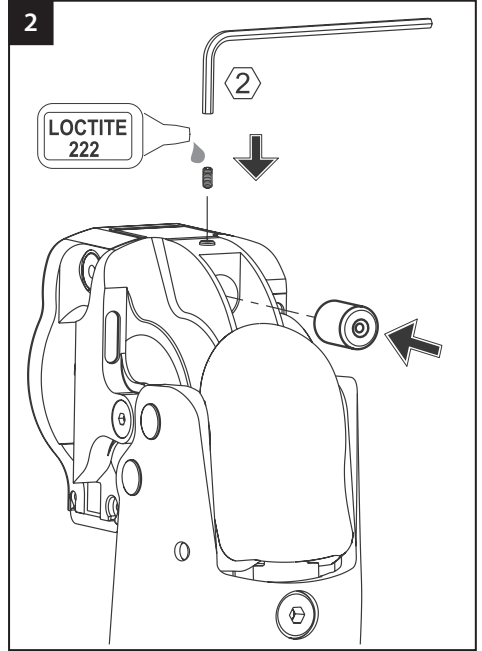
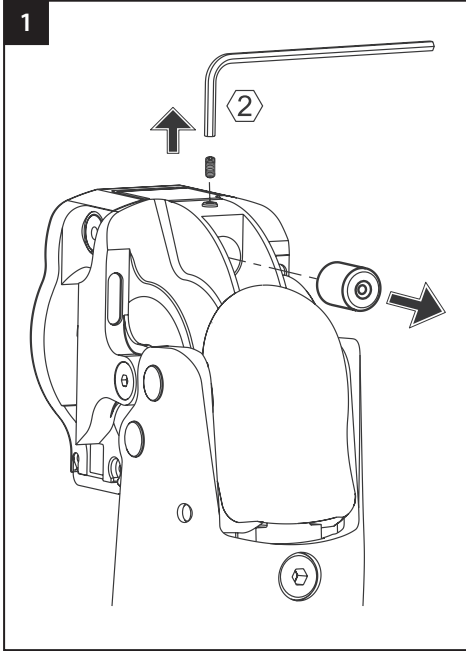
If after following these instructions you still have problems with the function please contact the sales team in your area for advice.

10 Assembly Instructions

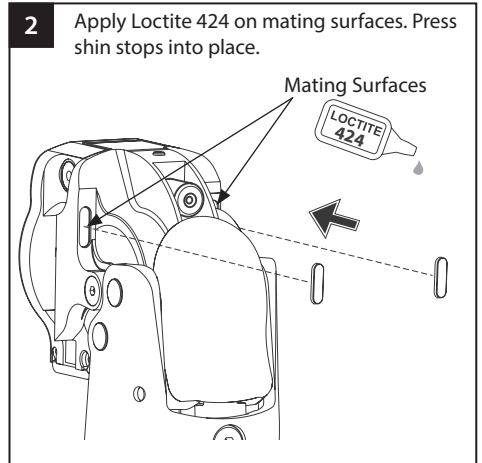
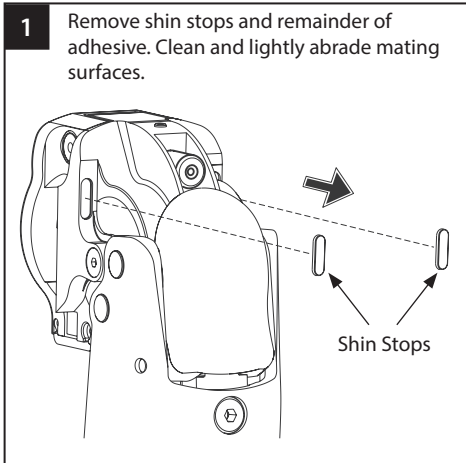
The instructions in this section are for practitioner use only.

10.1 Changing Front Stop Buffer

When fitting a new front stop, always re-adjust, and if applicable check length of cylinder if fitted with an adjustable trunnion. (See previous page.)

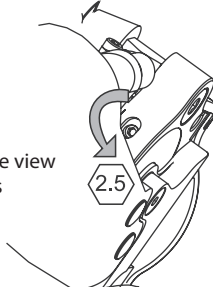
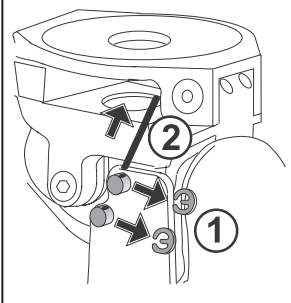
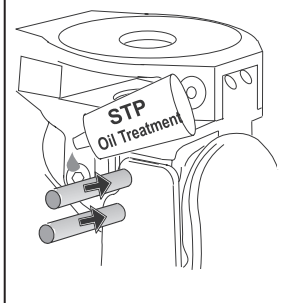
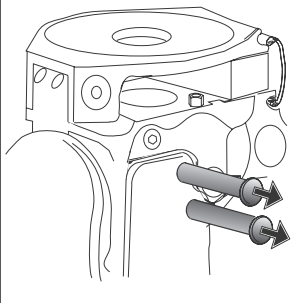
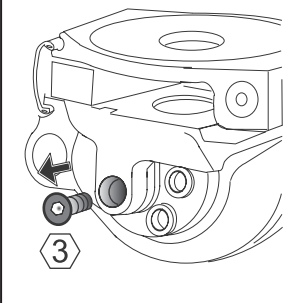
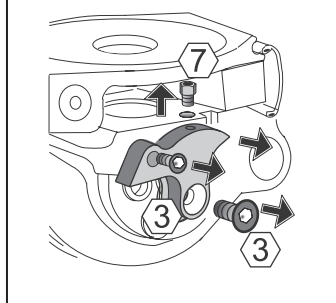
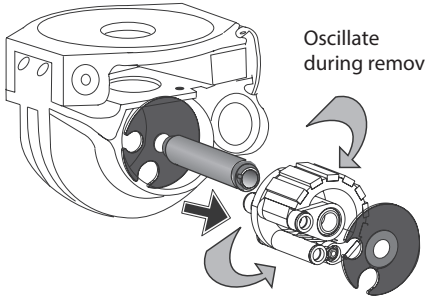
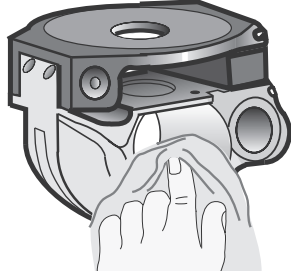


10.2 Changing Shin Stops



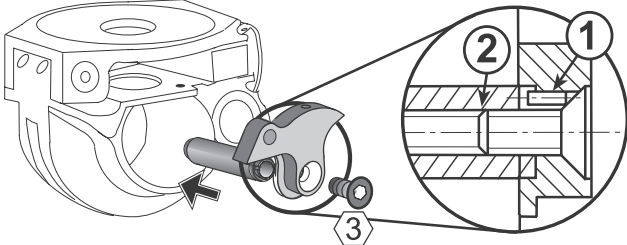
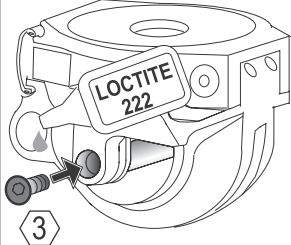
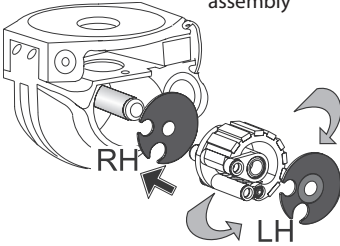
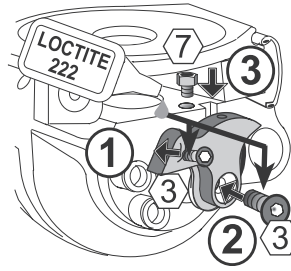
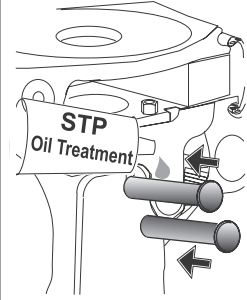
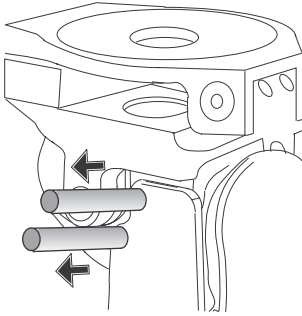
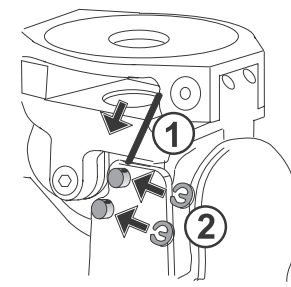
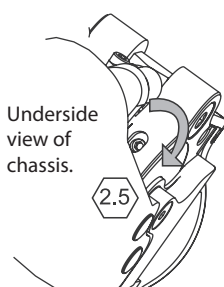
10.3 Removing ESK+ Mechanism

The instructions in this section are for practitioner use only.

<p>1 Remove all preload and record number of clicks</p> <p>Underside view of chassis</p> 	<p>2</p> 	<p>3</p> 
<p>4</p> 	<p>5</p> 	<p>6</p> 
<p>7</p>  <p>Oscillate during removal</p> <p>Brake band material may be wiped clean with paper, do not use solvents.</p>		<p>8</p>  <p>Clean bore with suitable solvent</p>

10.4 Replacement of ESK+ Mechanism

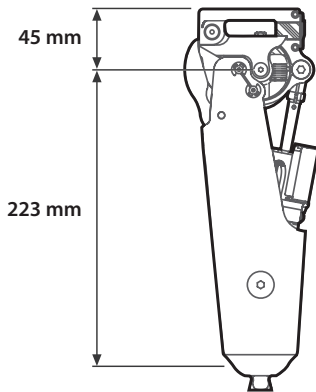
The instructions in this section are for practitioner use only.

<p>1</p>  <p>Offer up side plate to align slot in spindle (2) with dowel (1) but do not fit at this stage.</p>	<p>2</p>  <p>Screw spindle to chassis.</p>	
<p>3</p> <p>Oscillate during assembly</p>  <p>ORIENTATION IS IMPORTANT! Assemble flat sides and lettering (RH, LH) facing inwards.</p>	<p>4</p>  <p>LOCTITE 222</p>	<p>5</p>  <p>STP Oil Treatment</p>
<p>6</p> 	<p>7</p> 	<p>8</p> <p>Re-apply preload with recorded number of clicks.</p> <p>Underside view of chassis.</p>  <p>2.5</p>

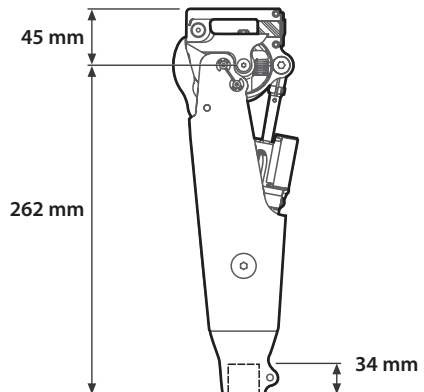
11 Technical Data

Operating and Storage Temperature Range:	-15 °C to 50 °C (5 °F to 122 °F)
Component Weight:	
SmartIP	1.27 kg (2 lb 12.8 ozs)
PSPC	1.13 kg (2 lb 8 ozs)
Activity Level:	2-3 (4)
Maximum User Weight:	
Activity Levels 2-3	125 kg (275 lb)
Activity Level 4	100 kg (220 lb 7.4 ozs)
Maximum Flexion Angle:	140°
Proximal Alignment Attachment:	Single Bolt (Blatchford)
Distal Alignment Attachment:	30 mm Tube Clamp or Male Pyramid (Blatchford)
Build Height:	See Diagrams Below.

Fitting Length



**ESK+ Stanceflex
with Distal Pyramid**



**ESK+ Stanceflex
with 30 mm Distal Tube Clamp**

12 Ordering Information

Order Example

	ESK+ with Stanceflex							
	30 mm Distal Tube Clamp				Distal Pyramid			
Pneumatic Cylinder	ESK	SF	P	30	ESK	SF	P	PYR
	ESK+	Stanceflex	PSPC	Distal Tube Clamp 30 mm	ESK+	Stanceflex	PSPC	Distal Pyramid
SmartIP Knee	SMARTIP	SF		30	SMARTIP	SF		PYR
	SmartIP Knee	Stanceflex		Distal Tube Clamp 30 mm	SmartIP Knee	Stanceflex		Distal Pyramid
No Control Cylinder Fitted	ESK	SF		30	ESK	SF		PYR
	ESK+	Stanceflex		Distal Tube Clamp 30 mm	ESK+	Stanceflex		Distal Pyramid

Replacement Parts

Item	Part. No.
Stanceflex Knee Assembly	239149
ESK Mechanism Alignment Pin	234914
Front Stop Pad	234903
ESK+ Stabilizing Mechanism Kit	239949
Shin Stop	233810

Stanceflex Rubber

Item	Part. No.
25° Pink (Soft)	231608
35° White	231606
45° Orange (Fitted as Standard)	231607
70° Blue (Hard)	231609

Liability

The manufacturer recommends using the device only under the specified conditions and for the intended purposes. The device must be maintained according to the instructions for use supplied with the device. The manufacturer is not liable for any adverse outcome caused by any component combinations that were not authorized by them.

CE Conformity

This product meets the requirements of the European Regulation EU 2017/745 for medical devices. This product has been classified as a class I device according to the classification rules outlined in Annex VIII of the regulation. The EU declaration of conformity certificate is available at the following internet address: www.blatchford.co.uk



Medical Device



Single Patient – multiple use

Compatibility

Combination with Blatchford branded products is approved based on testing in accordance with relevant standards and the MDR including structural test, dimensional compatibility and monitored field performance.

Combination with alternative CE marked products must be carried out in view of a documented local risk assessment carried out by a Practitioner.

Warranty

This device is warranted for 24 months, the brake band for 12 months.

The user should be aware that changes or modifications not expressly approved could void the warranty, operating licenses and exemptions.

See Blatchford website for the current full warranty statement.

Reporting of Serious Incidents

In the unlikely event of a serious incident occurring in relation to this device it should be reported to the manufacturer and your national competent authority.

Environmental Aspects

This product contains hydraulic oil, mixed metals and plastics. Where possible the components should be recycled in accordance with local waste handling regulations.

Retaining the Packaging Label

The practitioner is advised to keep the packaging label as a record of the device supplied.

Manufacturer's Registered Address

Blatchford Products Limited, Lister Road, Basingstoke RG22 4AH, UK.

Trademark Acknowledgements

Blatchford is a registered trademark of Blatchford Products Limited.

Vsebina.....	20
1 Opis in namen uporabe	21
2 Varnostne informacije	23
3 Konstrukcija.....	24
4 Delovanje	25
5 Vzdrževanje	25
6 Omejitve uporabe.....	26
7 Poravnost sestava.....	27
8 Pripomoček za poravnavo in nastavitve stabilnosti	28
9 Nasvet za namestitev	29
9.1 Zamenjava gum Stanceflex.....	29
9.2 Prilagoditev sprednjega omejevala – nastavljiv tečaj.....	30
9.3 Dodatne prilagoditve	31
10 Navodila za sestavljanje.....	32
10.1 Zamenjava blažilnika sprednjega omejevala.....	32
10.2 Zamenjava omejeval goleni.....	32
10.3 Odstranjevanje mehanizma ESK+.....	33
10.4 Zamenjava mehanizma ESK+	34
11 Tehnični podatki	35
12 Podatki za naročanje.....	36

1 Opis in namen uporabe

Ta navodila za uporabo so predvidena za zdravnika in uporabnika, razen če je navedeno drugače. Izraz pripomoček se v teh navodilih za uporabo uporablja za izdelke Stanceflex ESK+. Preberite in poskrbite, da boste razumeli vsa navodila za uporabo, predvsem vse varnostne informacije in navodila za vzdrževanje.

Uporaba

Pripomoček je predviden izključno kot del proteze za spodnje okončine.

Ta pripomoček je predviden samo za enega uporabnika.

Pripomoček je enoosno stabilizirana, težnostno aktivirana kolenska enota z integriranim fleksijskim elementom za fazo stanja, predviden pa je za izboljšanje varnosti in zmanjšanje kompenzacije.

Golen je lahko opremljena z enoto PSpC (nadzor faze pnevmatskega nihanja), krmilno enoto za fazo nihanja SmartIP (pametna inteligentna proteza) ali pa je dobavljena brez valja.

Gumijasti element na zadnji strani ohišja kolena zagotavlja dodatno fleksijo v fazi stanja.

Lastnosti

	Ročno nastavljena enota PSpC	SmartIP, krmiljen z mikroprocesorjem
Fleksija v fazi stanja pri obremenitvi	✓	✓
Okvir iz trdih karbonskih vlaken	✓	✓
140-stopinjska fleksija kolena	✓	✓
Nastavljiva občutljivost stabilnosti kolena	✓	✓
Samostojno ročno nastavljive krmilne enote nihanja za krčenje in izteg	✓	
Z mikroprocesorjem krmiljen nadzor nihanja pri krčenju z ročno nastavljenim blaženjem na koncu iztega		✓

Stopnja aktivnosti

Ta pripomoček je primeren za uporabnike s stopnjami aktivnosti 2, 3 in 4 (upoštevati je treba omejitve teže, glejte *Tehnični podatki*).

Ta pripomoček morda ni primeren za uporabnike s stopnjo aktivnosti 1 ali za uporabo na tekmovalnih športnih dogodkih. Za te uporabnike so primernejše posebej izdelane proteze, prilagojene njihovim potrebam.

Stopnja aktivnosti 1

Ima sposobnost ali potencial uporabljati protezo za transferje ali premikanje po ravnih površinah z enakomernim korakom. Običajno omejeno in neomejeno pokretna oseba.

Stopnja aktivnosti 2

Ima sposobnost ali potencial za premikanje s sposobnostjo premagovanja nizkih ovir, kot so robniki, stopnice ali neravne površine. Običajno je to omejeno pokretna oseba v javnosti.

Stopnja aktivnosti 3

Ima sposobnost ali potencial za premikanje s spremenljivim korakom. Običajno pokretna oseba, ki lahko premaga večino okoljskih ovir in morda opravlja poklicno, terapevtsko ali fizično aktivnost, ki zahteva uporabo proteze, ki presega zgolj preprosto gibanje.

Stopnja aktivnosti 4

Ima sposobnost ali potencial za hojo s protezo, ki presega osnovne sposobnosti hoje, in je izpostavljena močnim udarcem, visokim obremenitvam ali visokim ravнем energije. Običajno za zahteve za protezo otroka, aktivne odrasle osebe ali športnika.

Klinične prednosti

- Nadzor stanja, aktiviran s težo, in nastavljen nadzor nihanja zagotavljata enakomeren, varen korak s prostim kolenom.
- Funkcija Stanceflex izboljša absorbiranje udarcev.
- Nadzor nihanja z mikroprocesorjem omogoča optimizacijo karakteristike koraka pri različnih hitrostih hoje. (Samo SmartIP.)

Kontraindikacije

Ta pripomoček ni primeren za:

- uporabnike z ekstremno šibkostjo mišic, kontrakcijami, ki jih ni mogoče pravilno izravnati, ali proprioceptivno disfunkcijo, kot je slabo ravnotežje;
- uporabnike z nestabilnostjo ali patologijo kontralateralnega sklepa;
- uporabnike z zapletenimi bolezenskimi stanji, kot je večkratna invalidnost;
- uporabnike, vključno z bilateralnimi transfemoralnimi amputiranci, ki potrebujejo pomoč kolena pri hoji po stopnicah navzdol in usedanju. To lahko povzroči okvaro zavornega mehanizma, kar lahko negativno vpliva na stabilnost in trpežnost.



Pred uporabo tega pripomočka mora usposobljena oseba uporabnika naučiti, kako hoditi s protezo.



Preverite, ali je uporabnik razumel vsa navodila za uporabo, pri čemer bodite še posebej pozorni na poglavja z informacijami o vzdrževanju in varnosti.

2 Varnostne informacije



Ta opozorilni simbol označuje pomembne varnostne informacije.



Bodite pozorni, saj obstaja nevarnost, da se vam prsti ujamejo.



Morebitne spremembe v delovanju okončine, kot so npr. nestabilnost, omejeno gibanje, dvojni hod, zatikajoče gibanje ali neobičajni zvoki, je treba nemudoma javiti ponudniku storitve.



Pri hoji po stopnicah navzdol in vedno, ko je sicer mogoče, je treba uporabljati držala.



Vsakršne prekomerne spremembe v višini pete po končni nastavitvi pripomočka lahko negativno vplivajo na delovanje proteze.



Poskrbeti je treba, da se za vožnjo uporabljajo samo ustrezno predelana vozila. Vse osebe morajo pri upravljanju motornih vozil upoštevati veljavne cestno-prometne predpise v svoji državi.



Pri prenašanju težkih bremen je treba paziti, saj lahko to negativno vpliva na stabilnost pripomočka.



Uporabniku je treba svetovati, da se naj obrne na svojega zdravnika, če se njegovo stanje spremeni.



Ne izpostavljajte ekstremni vročini in/ali mrazu.



Pripomoček lahko sestavi, vzdržuje in popravlja samo ustrezno usposobljen zdravnik.

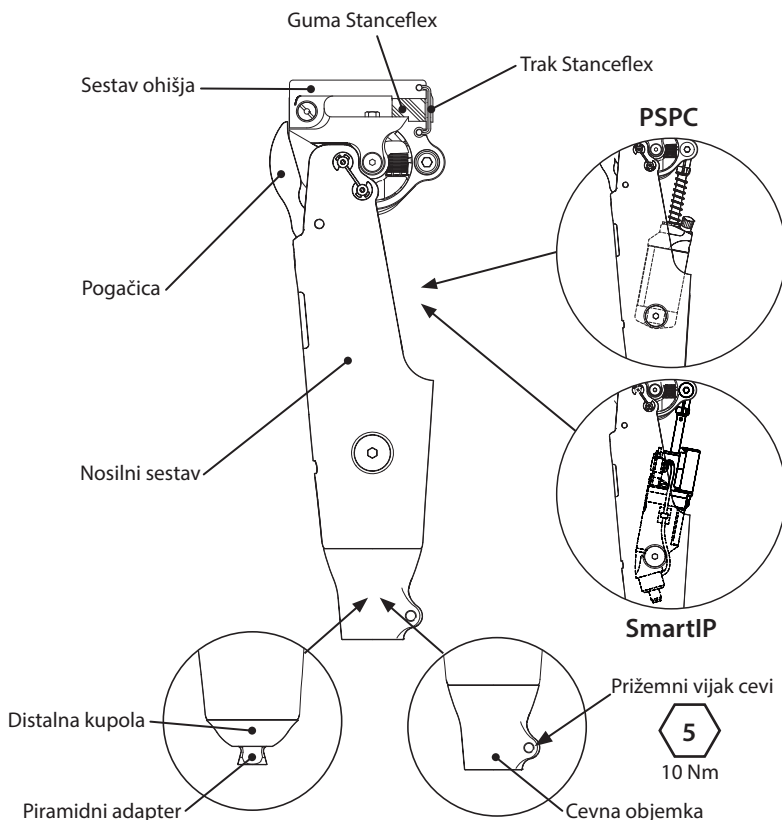


Pripomoček ni predviden za uporabo v vodi ali kot proteza za prhanje. Če proteza pride v stik z vodo, jo takoj obrišite.

3 Konstrukcija

Glavni deli

- Nosilni sestav Kompozit iz karbonskih vlaken in nerjaveče jeklo
- Sestav ohišja Aluminijeva zlitina, nerjaveče jeklo, tehnična termoplastika, z vlakni ojačan torni material (brez azbesta)
- Distalna kupola Aluminijeva zlitina
- Distalni piramidni adapter Titan s sornikom iz nerjavečega jekla
- Distalna cevna objemka Aluminijeva zlitina
- Pogačica Tehnična termoplastika
- Guma Stanceflex Naravni kavčuk
- Trak Stanceflex Kevlar
- PSPC Aluminijeva zlitina, nerjaveče jeklo, titan, tehnična termoplastika
- Krmilni valj SmartIP Aluminijeva zlitina, nerjaveče jeklo, titan, tehnična termoplastika



4 Delovanje

Koleno ima eno os, sestavljeno iz kolenskega tečaja, s katerim je ohišje pritrjeno na nosilec. Stabilizacijski mehanizem kolena, aktiviran s težo, je obdan z ohišjem. Ohišje kolena ima tečajno pritrjeno zgornjo ploščo, ki jo podpira gumijasti sklop, kar pri obremenitvi zagotavlja pokrčenje kolena in absorbiranje obremenitvenih sil ob dotiku pete s tlemi.

Krmilni valj kolena je znotraj sestava okvirja, nameščen pa je med zadnjim tečajem ogrodja in distalnim tečajem nosilca.

PSPC-valj ima ročno nastavljive ventile, ki omogočajo neodvisen nadzor upora pri fleksiji in iztegovanju med fazo nihanja.

Krmilni valj SmartIP s pomočjo senzorjev v valju nadzira hitrost hoje in ustrezno samodejno prilagaja upor pri fleksiji. Nadzor iztegovanja poteka s fiksno nastavitvijo končnega blažilnika.

5 Vzdrževanje

Pripomoček je treba redno vizualno pregledovati.

Morebitne spremembe v delovanju pripomočka, kot so npr. neobičajni zvoki, povečana togost ali omejeno/prekomerno vrtenje, velika obraba ali prekomerno razbarvanje zaradi dolgotrajne izpostavljenosti UV-žarkom, je treba nemudoma javiti zdravniku/ponudniku storitve.

Zdravnika/ponudnika storitve obvestite o morebitnih spremembah v telesni teži in/ali stopnji aktivnosti.

Čiščenje

Z vlažno krpo in blagim milom očistite zunanje površine. NE uporabljajte agresivnih čistil.

Preostala navodila v tem poglavju so samo za zdravnika.

To vzdrževanje lahko izvaja samo usposobljeno osebje (zdravnik ali ustrezno usposobljen zdravstveni tehnik).

Za vzdrževanje optimalnega delovanja so priporočeni redni pregledi, pri katerih morate biti pozorni na neobičajen zvok, zračnost in stabilnost. Čas med posameznimi intervali je treba določiti glede na dejavnike, kot so aktivnost uporabnika, pogostost uporabe in nastavitve stabilnosti kolena.

Upoštevajte, da če je nastavev 6 klikov ali več in uporabnik v letu dni naredi povprečno 600.000 korakov, priporočamo letni pregled.

Če je nastavev stabilnosti manj kot 6 klikov in/ali uporabnik naredi manj kot povprečno število korakov, potem je lahko interval med pregledi daljši.

Pri določanju števila korakov priporočamo uporabo monitorja za spremljanje aktivnosti okončine.

Priporočamo, da koleno prilagodite posameznikovim zahtevam glede stabilnosti, da zagotovite optimalno stabilnost in vzdržljivost materiala. Glejte navodila za nastavev/diagram poteka.

Pri teh pregledih:

- Preverite, ali so prisotne vidne poškodbe, ki bi lahko vplivale na pravilno delovanje.
- Preverite zračnost M-L ogrodja in prekomerno kompresijo gume Stanceflex. Po potrebi zamenjajte ležaje in gumo Stanceflex.
- Preverite sprednje omejevalo in ga po potrebi zamenjajte.
- Preverite omejevala goleni in jih po potrebi zamenjajte.
- Razstavite, očistite in znova sestavite kolenski mehanizem.

Uporabniku svetujte, naj redno vizualno pregleduje pripomoček in morebitne spremembe v delovanju pripomočka takoj sporoči svojemu zdravniku. Spremembe v delovanju lahko vključujejo: povečanje ali zmanjšanje togosti kolena, nestabilnost, zmanjšanje opore kolena (prosto gibanje), morebitne neobičajne zvoke.

Če se pripomoček uporablja za ekstremne aktivnosti, je treba preveriti raven in interval vzdrževanja ter se po potrebi posvetovati s tehnično podporo glede novega vzdrževalnega načrta na osnovi pogostosti in narave aktivnosti. To je treba določiti na osnovi lokalne ocene tveganja, ki jo mora opraviti ustrezno usposobljen posameznik.

Shranjevanje in uporaba

Pri daljšem shranjevanju je treba pripomoček hraniti na suhem v temperaturnem območju od -15°C do 50°C .

Uporabite priloženo embalažo pripomočka.

6 Omejitve uporabe

Predvidena uporabna doba:

Na osnovi aktivnosti in uporabe je treba opraviti lokalno oceno tveganja.

Dviganje bremen

Glede na težo in aktivnost uporabnika veljajo navedene omejitve.

Pri prenašanju bremena mora uporabnik upoštevati lokalno oceno tveganja.

Okolje:

Pripomočka ne izpostavljajte korozivnim elementom, kot so voda, kisline in druge tekočine. Prav tako se izogibajte abrazivnim okoljem, ki npr. vsebujejo pesek, ker povzročajo predčasno obrabo.

Samo za uporabo pri temperaturi med -15°C in 50°C .



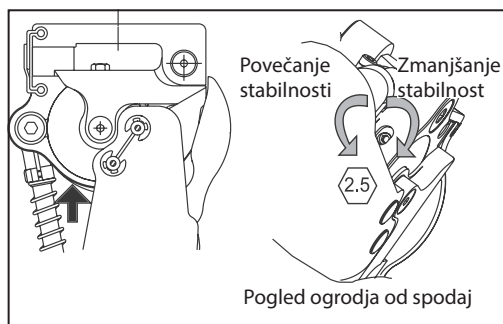
Primerno za uporabo na prostem

7 Poravnanosť sestavy

Navodila v tem poglavju so namenjena samo zdravniku.

Poskusi hoje

Vzmetni nastavitveni element



Povsem iztegnite okončino, da omogočite dostop do nastavitvenega elementa.

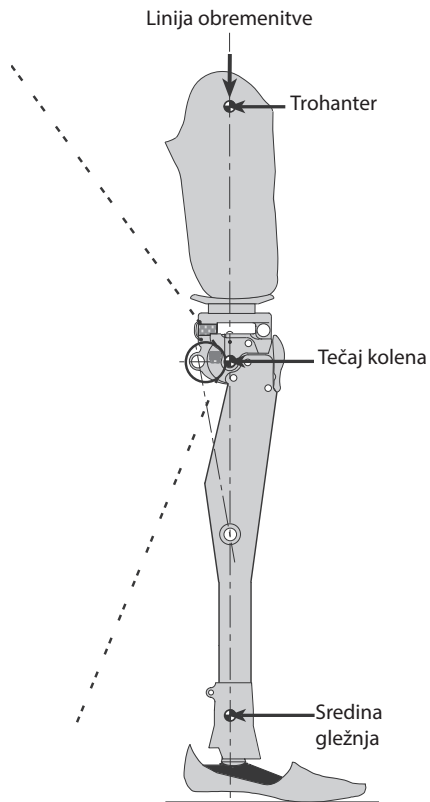
Z vrtenjem VZMETNEGA NASTAVITVENEGA ELEMENTA nastavite potrebno stabilnost za posameznega uporabnika.

Opomba... Pri nastavitvi bi morali biti slišni kliki, nastavitveni element pa se ob vsakem kliku samodejno fiksira v položaju.

Z zategovanjem VZMETNEGA ELEMENTA zmanjšate stabilnost.

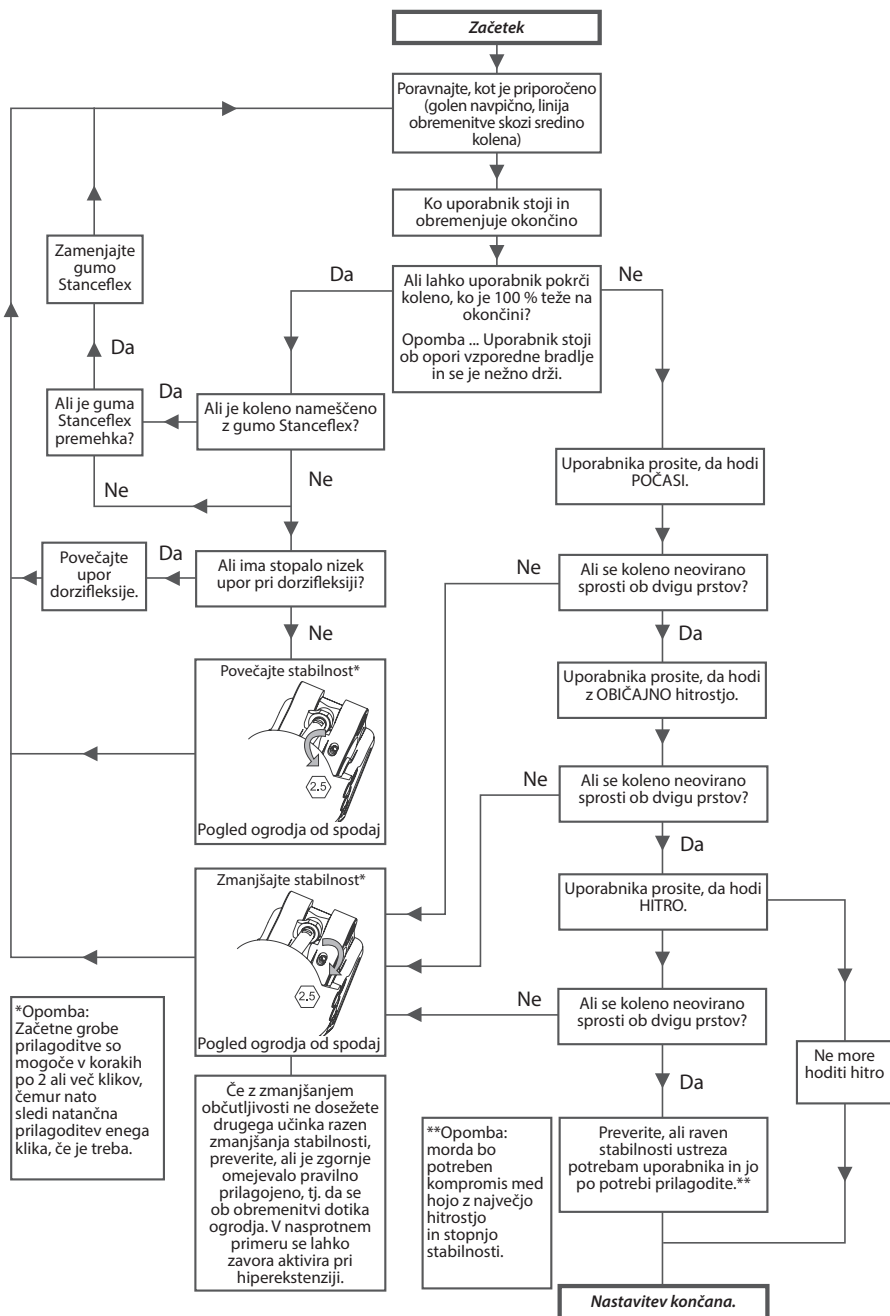
S sproščanjem VZMETNEGA ELEMENTA povečate stabilnost. Glejte zgoraj.

Po potrebi lahko nastavitveni element ponastavite na tovarniško nastavitvev. To storite tako, da stabilnost s šestimi slišnimi kliki zmanjšate z nastavitve za največjo stabilnost.



8 Pripomoček za poravnavo in nastavitve stabilnosti

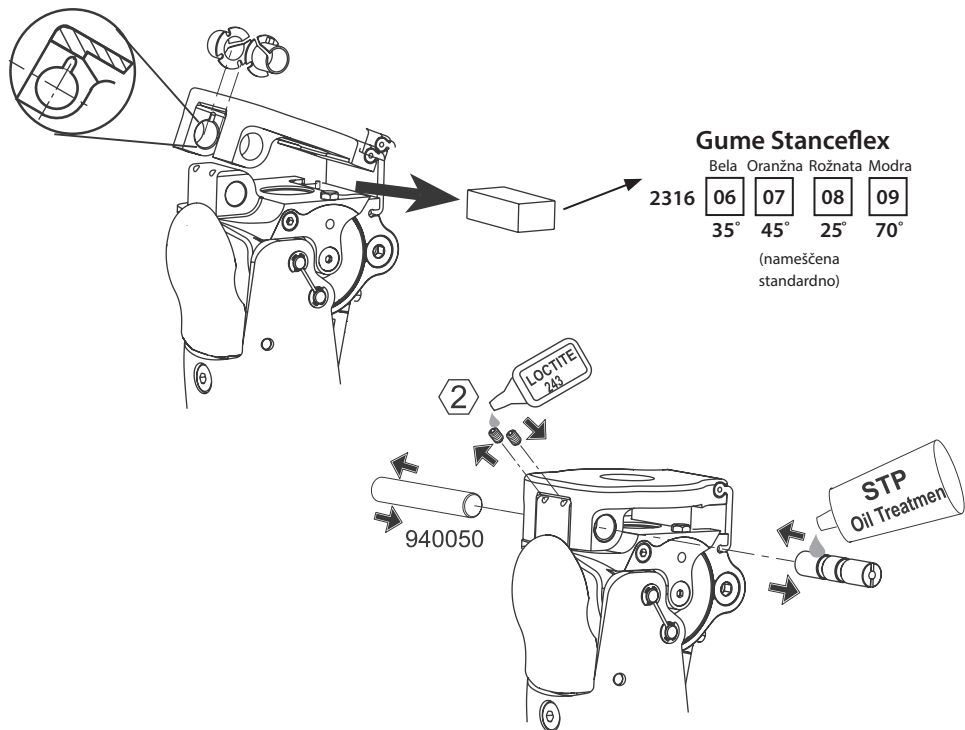
Navodila v tem poglavju so namenjena samo zdravniku.



9 Nasvet za namestitvev

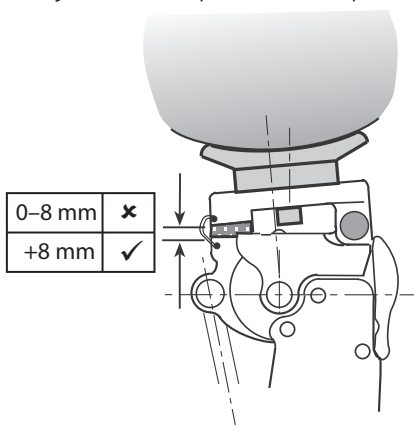
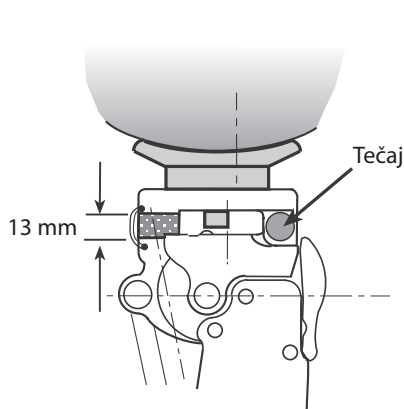
Navodila v tem poglavju so namenjena samo zdravniku.

9.1 Zamenjava gum Stanceflex



Statično

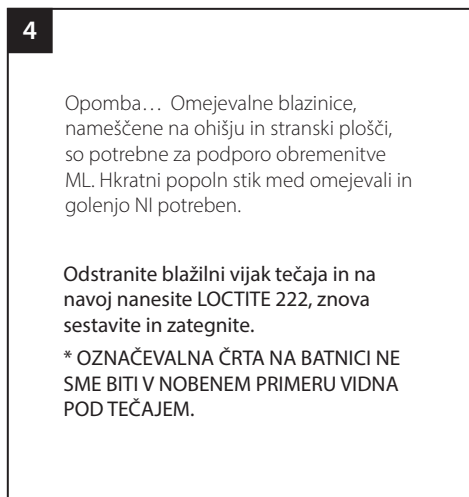
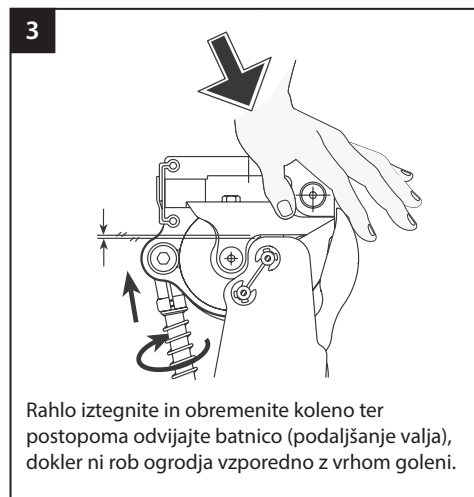
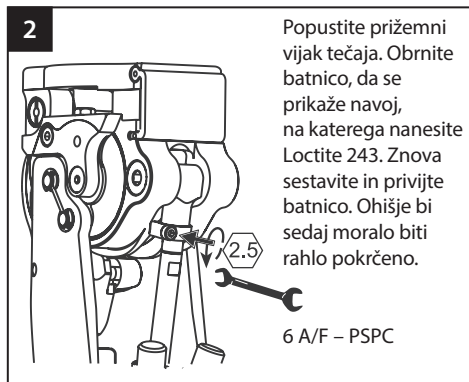
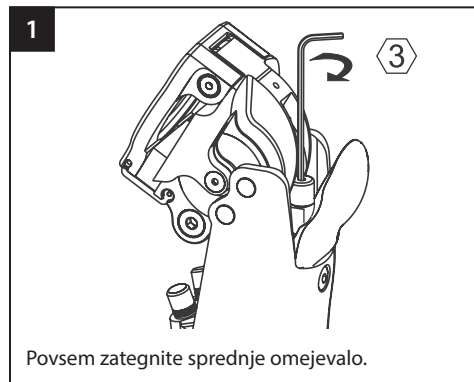
Fleksija kolena po dotiku pete s tlemi



9.2 Prilagoditev sprednjega omejevala – nastavljiv tečaj

Navodila v tem poglavju so namenjena samo zdravniku.

Nameščeno na PSPC



Prilagoditev sprednjega omejevala – nenastavljiva inteligentna proteza

(Kot je nameščena na starejših modelih SmartIP.)

Pri uporabi teh valjev prilagoditve niso potrebne. Sprednje omejevalo mora biti zategnjeno do konca, kot je prikazano v 1 fazi.

9.3 Dodatne prilagoditve

Navodila v tem poglavju so namenjena samo zdravniku.

Težava	Rešitev
Koleni se ne stabilizira.	Povečajte občutljivost.
	Premaknite ležišče anteriorno.
	Če je zadnji rob zavore poškodovan, zamenjajte stabilizacijski mehanizem.
	Preverite gumo Stanceflex in jo po potrebi zamenjajte. (Glejte minimalno debelino pri kompresiji v razdelku <i>Fleksija kolena po dotiku pete s tlemi.</i>)
Koleni se ne sprostijo.	Zmanjšajte občutljivost.
	Preverite ustrezno nastavitve dolžine batnice.
	Premaknite ležišče posteriorno.
Dvig pete med nihanjem je previsok.	Glejte navodila za uporabo krmilnega valja.
Dvig pete med nihanjem je prenizek.	Glejte navodila za uporabo krmilnega valja.
Uporabnik občuti končne prislone.	Glejte navodila za uporabo krmilnega valja.
Pripomoček se med nihanjem ne iztegne do konca.	Glejte navodila za uporabo krmilnega valja.

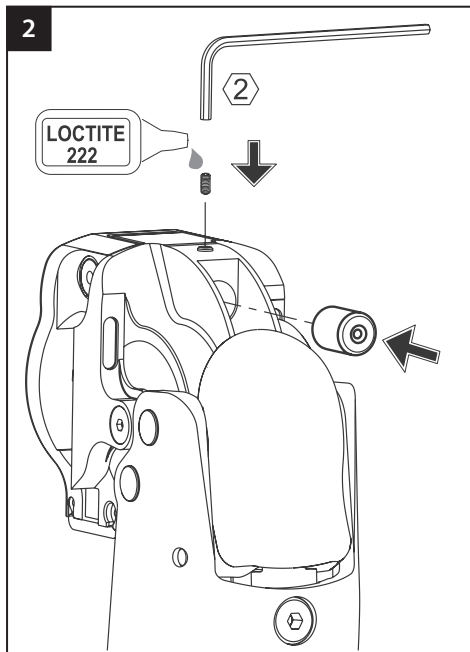
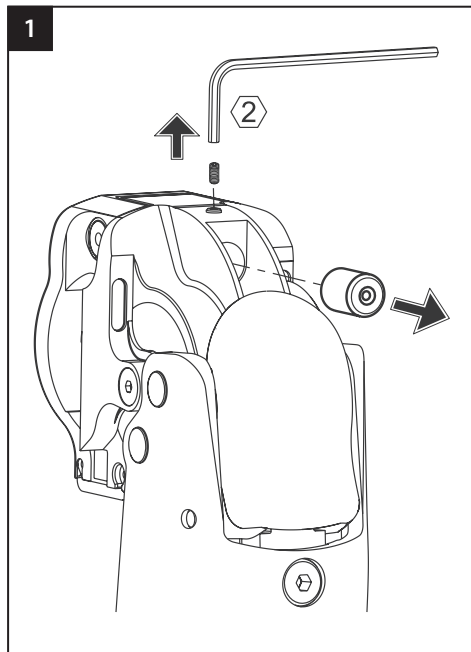
Če imate kljub upoštevanju teh navodil še vedno težave z delovanjem pripomočka, stopite v stik s prodajno ekipo v vašem območju.

10 Navodila za sestavljanje

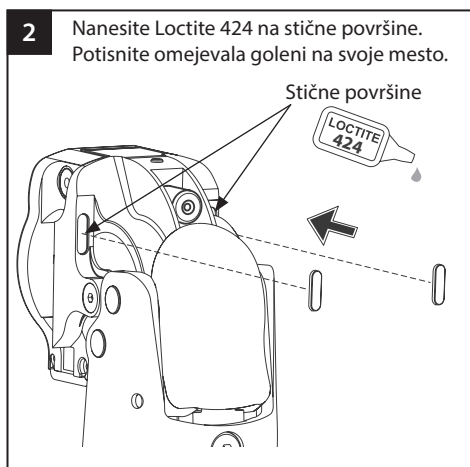
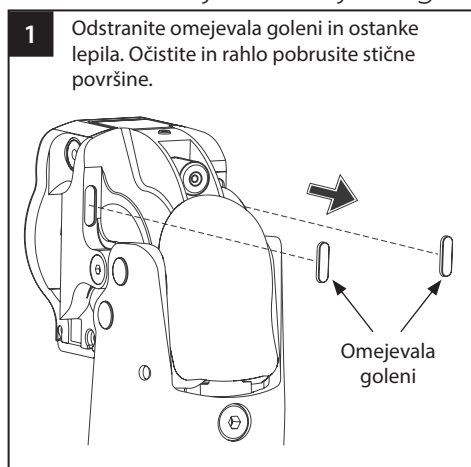
Navodila v tem poglavju so namenjena samo zdravniku.

10.1 Zamenjava blažilnika sprednjega omejevala

Ko nameščate novo sprednje omejevalo, ga vedno prilagodite in po potrebi preverite dolžino valja, če je nameščen z nastavljivim tečajem. (Glejte prejšnjo stran.)

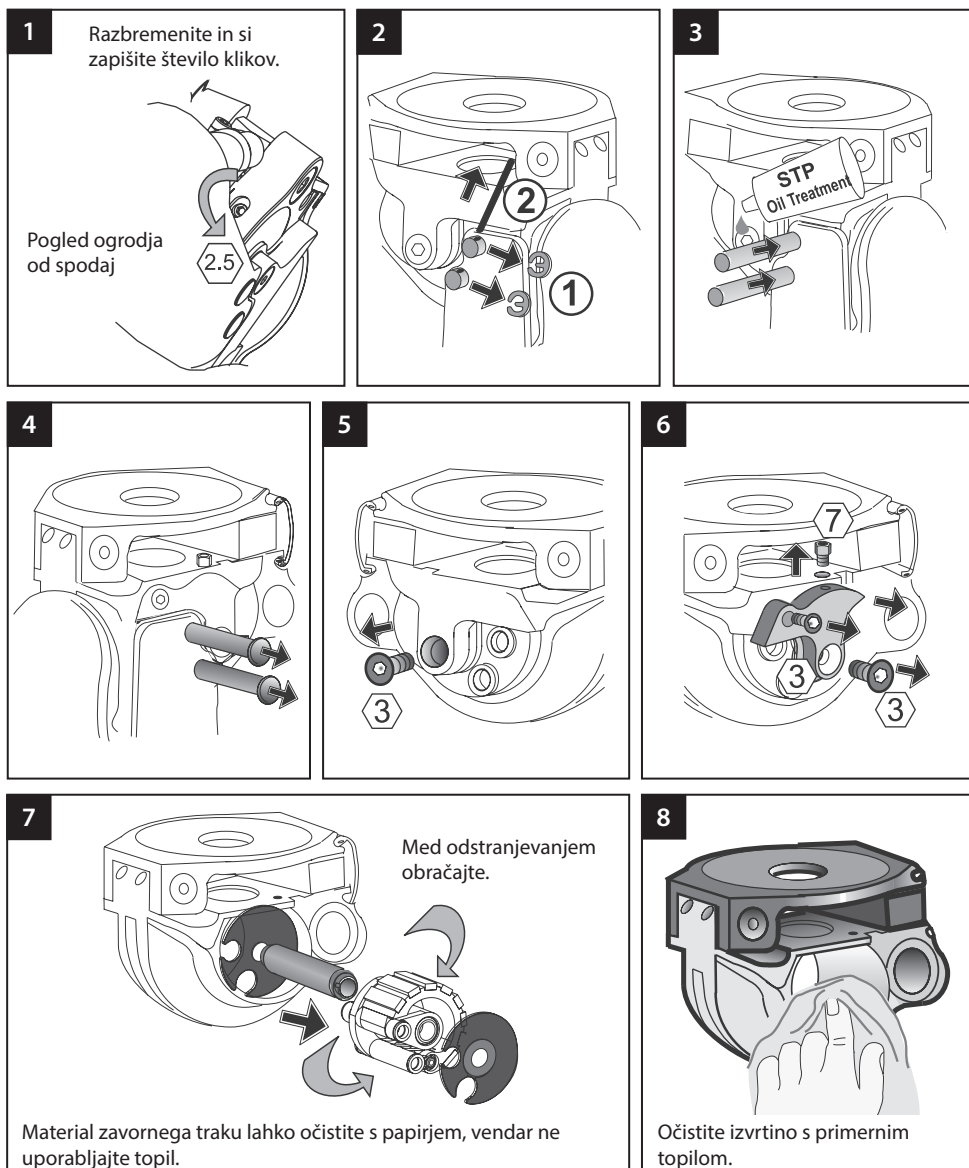


10.2 Zamenjava omejevala goleni



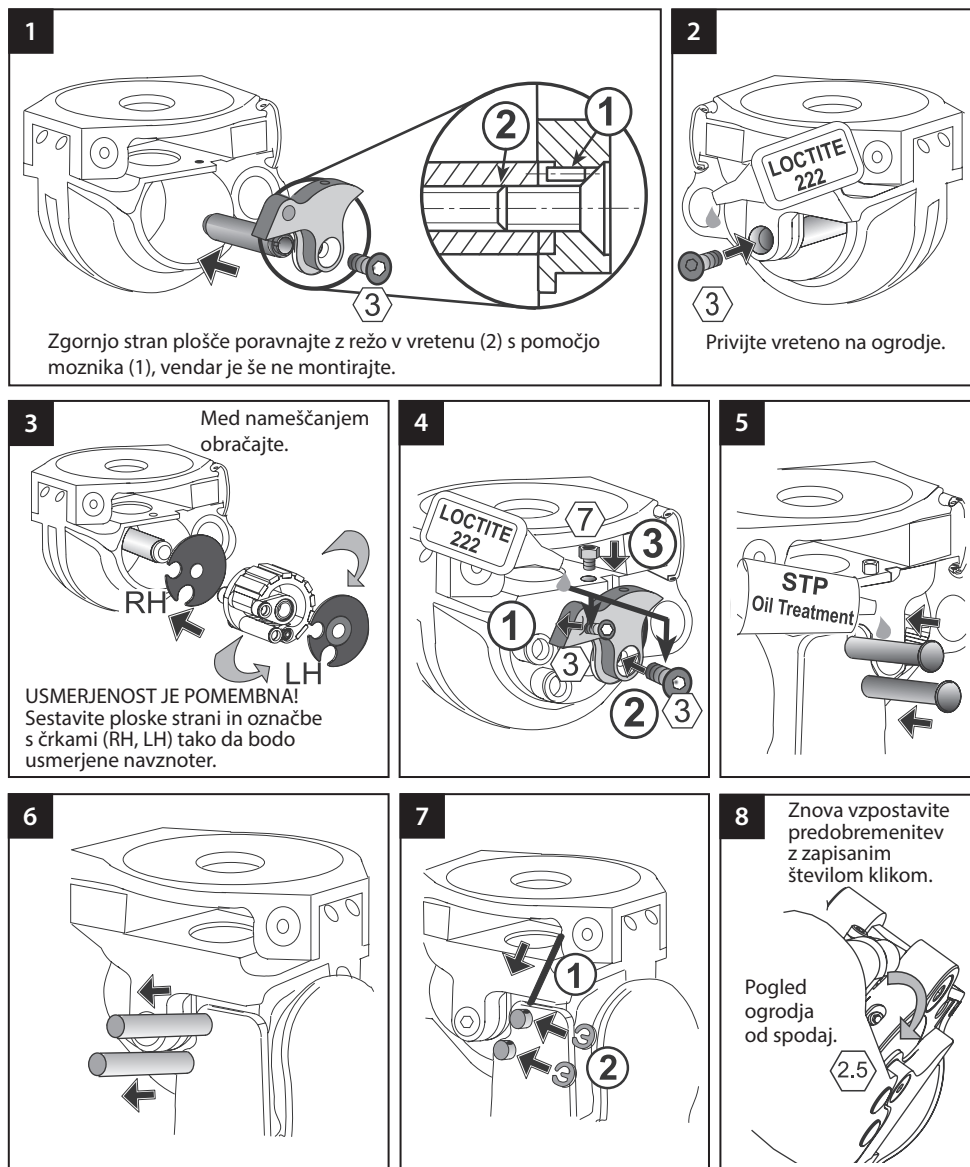
10.3 Odstranjevanje mehanizma ESK+

Navodila v tem poglavju so namenjena samo zdravniku.



10.4 Zamenjava mehanizma ESK+

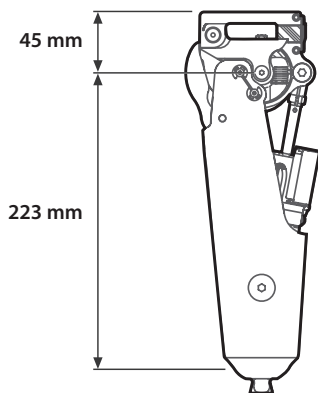
Navodila v tem poglavju so namenjena samo zdravniku.



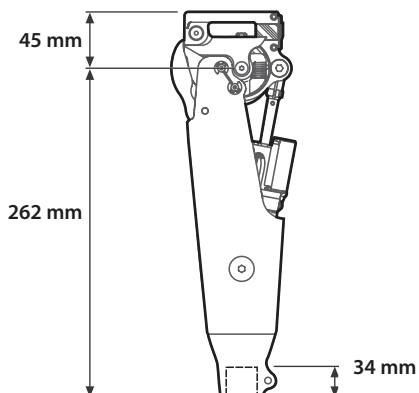
11 Tehnični podatki

Temperaturno območje za uporabo in hrambo:	-15 °C do 50 °C
Teža komponente:	
SmartIP	1,27 kg
PSPC	1,13 kg
Stopnja aktivnosti:	2–3 (4)
Največja teža uporabnika:	
Stopnja aktivnosti 2–3	125 kg
Stopnja aktivnosti 4	100 kg
Največji kot krčenja:	140°
Proksimalna prilagoditev:	Enojni sornik (Blatchford)
Distalna prilagoditev:	30 mm cevna objemka ali moški piramidni adapter (Blatchford)
Višina sestava:	Glejte diagrame v nadaljevanju.

Namestitvena dolžina



ESK+ Stanceflex z distalnim piramidnim adapterjem



ESK+ Stanceflex s 30 mm distalno cevno objemko

12 Podatki za naročanje

Primer naročila

	ESK+ s Stanceflex							
	30 mm distalna cevna objemka				Distalni piramidni adapter			
Pnevmatski valj	ESK	SF	P	30	ESK	SF	P	PYR
	ESK+	Stanceflex	PSPC	Distalna cevna objemka 30 mm	ESK+	Stanceflex	PSPC	Distalni piramidni adapter
Koleno SmartIP	SMARTIP	SF		30	SMARTIP	SF		PYR
	Koleno SmartIP	Stanceflex		Distalna cevna objemka 30 mm	Koleno SmartIP	Stanceflex		Distalni piramidni adapter
Brez montiranega krmilnega valja	ESK	SF		30	ESK	SF		PYR
	ESK+	Stanceflex		Distalna cevna objemka 30 mm	ESK+	Stanceflex		Distalni piramidni adapter

Nadomestni deli

Artikel	Št. dela
Sestav kolena Stanceflex	239149
Poravnalni zatič mehanizma ESK	234914
Sprednja omejevalna blazinica	234903
Komplet stabilizacijskega mehanizma ESK+	239949
Omejevalo goleni	233810

Guma Stanceflex

Artikel	Št. dela
25° rožnata (mehko)	231608
35° bela	231606
45° oranžna (nameščeno standardno)	231607
70° modra (trdo)	231609

Odgovornost

Proizvajalec priporoča, da se pripomoček uporablja samo pri specifikiranih pogojih in v predvidene namene. Pripomoček je treba vzdrževati v skladu z navodili, priloženimi pripomočku. Proizvajalec ne prevzema odgovornosti za morebitne neželene posledice, nastale zaradi kakršnih koli kombinacij komponent, ki jih ni odobril.

Skladnost CE

Ta izdelek je v skladu z zahtevami evropske Uredbe EU 2017/745 o medicinskih pripomočkih. Ta izdelek je klasificiran kot izdelek razreda I v skladu z merili za klasifikacijo, navedenimi v prilogi VIII Uredbe. ES-izjava o skladnosti je na voljo na naslednjem spletnem naslovu: www.blatchford.co.uk



Medicinski pripomoček



Samo za enega bolnika –
za večkratno uporabo

Združljivost

Kombiniranje z izdelki znamke Blatchford je odobreno na osnovi preizkusov v skladu z ustreznimi standardi in uredbo o medicinskih pripomočkih, vključno s strukturnim testom, dimenzijsko združljivostjo in nadzorovano učinkovitostjo med uporabo.

Pri kombinacijah z alternativnimi izdelki z oznako CE je treba upoštevati dokumentirano lokalno oceno tveganja, ki jo opravi zdravnik.

Garancija

Ta pripomoček ima 24 mesecev garancije, zavorni trak pa 12 mesecev.

Uporabnik se mora zavedati, da zaradi sprememb ali prilagoditev, ki niso izrecno odobrene, garancija, uporabne licence in izjeme morda ne bodo veljavne.

Za trenutno celotno garancijsko izjavo obiščite spletno stran podjetja Blatchford.

Prijava resnih nesreč

V malo verjetnem primeru resnih nesreč, nastalih v povezavi s tem pripomočkom, je treba o dogodku obvestiti proizvajalca in pristojne oblasti v vaši državi.

Okoljski vidiki

Ta izdelek vsebuje hidravlično olje, mešane kovine in plastiko. Kjer je mogoče, je treba komponente reciklirati v skladu z veljavnimi lokalnimi predpisi za obravnavo odpadkov.

Nalepka na embalaži

Zdravniku svetujemo, da nalepko na embalaži nameščenega pripomočka shrani za morebitno uporabo v prihodnje.

Uradni naslov proizvajalca

Blatchford Products Limited, Lister Road, Basingstoke RG22 4AH, Združeno kraljestvo.

Izjave o blagovnih znamkah

Blatchford je registrirana blagovna znamka podjetja Blatchford Products Limited.

Съдържание.....	38
1 Описание и предназначение.....	39
2 Информация относно безопасността.....	41
3 Устройство.....	42
4 Функция.....	43
5 Поддръжка.....	43
6 Ограничения в употребата.....	44
7 Центроване на стенд.....	45
8 Съвети за центроване и регулиране на стабилността.....	46
9 Съвети относно монтажа.....	47
9.1 Смяна на гумите Stanceflex.....	47
9.2 Регулиране на преден ограничител - регулируема цапфа.....	48
9.3 Допълнително регулиране.....	49
10 Инструкции за монтиране.....	50
10.1 Смяна на буфера на предния ограничител.....	50
10.2 Смяна на спирачните механизми на пиццала.....	50
10.3 Демонтаж на механизма ESK+.....	51
10.4 Смяна на механизма ESK+.....	52
11 Технически данни.....	53
12 Информация за поръчка.....	54

1 Описание и предназначение

Настоящите инструкции за употреба са предназначени за ползване само от лекаря/ протезиста и потребителя, освен ако не е посочено друго.

Терминът „изделие“ в настоящите инструкции за употреба се отнася за продуктите Stanceflex ESK+.

Моля, прочетете и се уверете, че разбирате всички инструкции за употреба и по-специално цялата информация относно безопасността и инструкциите за поддръжка.

Приложение

Настоящото изделие се използва само като част от протеза за долен крайник.

Това изделие е предназначено за един потребител.

Изделието представлява едноосова стабилизирана коленна протеза, активирана от тежестта на тялото, с вграден елемент за флексия по време на опорната фаза, и е предназначено за подобряване на безопасността и намаляване на компенсаторните движения.

Пищялът може да се окомплектова с механизъм за управление на маховата фаза PSPC (пневматично управление на маховата фаза) или SmartIP (интелигентна протеза), или да се достави без цилиндър.

Гумени елемент отзад на шасито на коленната протеза осигурява допълнителна флексия по време на опорната фаза.

Характеристики

	PSPC с ръчно регулиране	SmartIP с микропроцесорно управление
Флексия по време на опорната фаза при пренасяне на тежестта	✓	✓
Здрава рама от въглеродни влакна	✓	✓
140-градусова флексия на коляното	✓	✓
Регулируема чувствителност на стабилността на коляното	✓	✓
Независимо ръчно регулиране на механизмите за управление на маховата фаза при флексия и екстензия	✓	
Микропроцесорно управление на маховата фаза при флексия с ръчно регулиране на силния удар в крайната махова фаза при екстензия		✓

Ниво на мобилност

Изделието е предназначено за потребители с ниво на мобилност 2, 3 и 4 (при спазване на ограниченията за теглото, вж. *Технически данни*).

Изделието може да не е подходящо за потребители с ниво на мобилност 1 или за употреба при състезателни спортни събития. При този тип потребители може да е по-подходяща индивидуално проектирана протеза, която е оптимизирана според техните потребности.

Ниво на мобилност 1

Потребителят е в състояние или има потенциал да използва протезата за придвижване или ходене по равни повърхности при равномерен ритъм на крачката. Характерно за пациентите с ограничена и неограничена способност за движение.

Ниво на мобилност 2

Потребителят е в състояние или има потенциал да преодолява малки препятствия на околната среда, като бордюри, стъпала или неравни повърхности. Характерно за пациентите с ограничена способност за движение, които се придвижват на открито.

Ниво на мобилност 3

Потребителят е в състояние или има потенциал да се придвижва с различен ритъм на крачката. Характерно за пациенти, които се придвижват на открито без ограничения, които са способни да преодоляват повечето препятствия в околната среда и може да имат потребност от професионална, терапевтична или тренировъчна активност, която налага използване на протезата извън рамките на обикновеното придвижване.

Ниво на мобилност 4

Потребителят е в състояние или има потенциал да се придвижва с протезата извън рамките на базовите умения за придвижване, което е свързано с повишено натоварване, напрежение или ниво на енергия. Характерно за изискванията към протезите за деца, активни възрастни или спортисти.

Клинични ползи

- Активираният от тежестта контрол на опорната фаза и регулируемият контрол на маховата фаза осигуряват плавна и сигурна походка със свободно движещо се коляно.
- Stanceflex подобрява поемането на въздействието на удара.
- Микропроцесорното управление на маховата фаза позволява оптимизиране на характеристиките на походката при различна скорост на вървене. (Само за SmartIP)

Противопоказания

Настоящото изделие не е подходящо за:

- Потребители с изключителна мускулна слабост, контрактури, които не могат да бъдат правилно компенсирани, или проприоцептивна дисфункция, включително нарушения в равновесието.
- Потребители с нестабилност или патология на ставите на другия крайник.
- Потребители с усложнени състояния, свързани с множество увреждания.
- потребители, включително такива с двустранна ампутация в областта на бедрото, за които е необходима функция на огъване от коляното, за да могат да слизат по стъпала или да седат. Това може да доведе до повреда на спирачния механизъм, което от своя страна да окаже неблагоприятен ефект върху стабилността и издръжливостта.





Потребителите трябва да преминат обучение относно походката, преди да използват изделието.





Уверете се, че потребителят е разбрал всички инструкции за употреба, като му обърнете специално внимание на всички раздели с информацията относно поддръжката и безопасността.


2 Информация относно безопасността


 Този предупредителен символ обозначава важна информация относно безопасността.


 Необходимо е винаги да внимавате да не заклещите пръстите си.


 Всякакви промени в движението или функционирането на крайника, като например нестабилност, двойно действие, ограничения в движението, скованост или необичайни шумове, трябва да се съобщават незабавно на лекаря/протезиста.


 Винаги използвайте парапет при слизване по стълби, както и при всеки друг случай, ако е възможно.


 Всякакви големи промени във височината на петата след финализиране на центроването може да окажат неблагоприятен ефект върху функционирането на протезния крайник.


 Когато шофирате, използвайте само превозни средства с подходящо допълнително оборудване. Всички лица трябва да спазват съответните закони за движение по пътищата при управление на моторни превозни средства.

 Бъдете внимателни при носене на тежки товари, тъй като това може да окаже неблагоприятен ефект върху стабилността на изделието.

 Препоръчва се потребителят да се свърже със своя лекар, ако състоянието му се промени.

 Избягвайте излагане на прекалено високи и/или прекалено ниски температури.

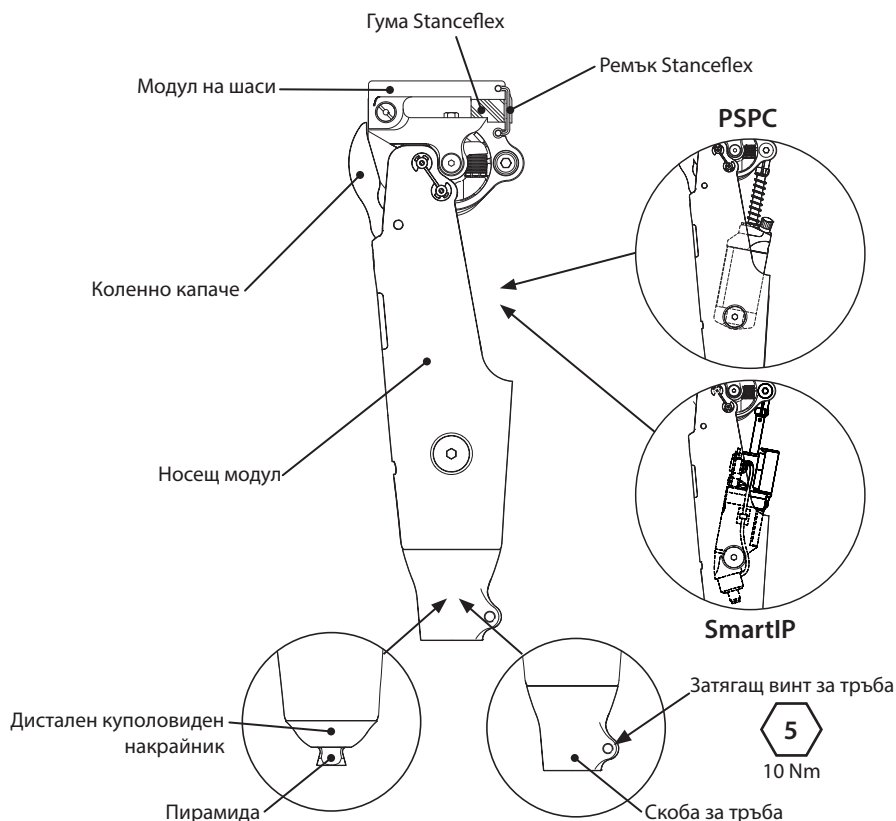
 Монтирането, поддръжката и ремонтването на изделието трябва да се извършва единствено от медицински специалист с подходяща квалификация.

 Изделието не е предназначено за ползване във вода или по време на душ. Подсушете незабавно крайника в случай на контакт с вода.

3 Устройство

Основни части

- Носещ модул
Композитен материал от въглеродни влакна и неръждаема стомана
- Модул на шахи
Алуминиева сплав, неръждаема стомана, техническа термопластмаса, усилен с влакна (без азбест) фрикционен материал.
- Дистален куполовиден накрайник
алуминиева сплав
- Дистална пирамида
Титан с болт от неръждаема стомана
- Дистална скоба за тръба
Алуминиева сплав
- Коленно капаче
Техническа термопластмаса
- Гума Stanceflex
Естествен каучук
- Ремък Stanceflex
Кевлар
- PSPC
Алуминиева сплав, неръждаема стомана, титан, техническа термопластмаса
- Цилиндър за управление SmartIP
Алуминиева сплав, неръждаема стомана, титан, техническа термопластмаса
Електронни компоненти, батерии



4 Функция

Протезното коляно е с едноосова конструкция, състояща се от колянна ос, свързваща шаси към носеща конструкция. В шасито е монтиран стабилизиращ механизъм за коляното, активиран от тежестта на тялото. Шасито на коленната протеза има горна пластина с осово свързване с гъвкава опора от каучуков блок. Това осигурява флексия по време на опорната фаза при натоварване и поема ударните натоварвания при докосване на повърхността от петата.

В тази монтажна рама, между задната ос на шасито и дисталната ос на носещата конструкция, е монтиран цилиндър за управление на коляното.

Цилиндърът за PSPC разполага с ръчно регулируеми клапани, които осигуряват независим контрол на съпротивлението при флексия и екстензия в маховата фаза.

Цилиндърът за управление SmartIP използва вградени сензори за следене на скоростта на ходене и регулира автоматично съпротивлението при флексия съобразно това. Контролът на екстензията се осъществява чрез фиксирано регулиране на амортисьор за силния удар в крайната махова фаза.

5 Поддръжка

Проверявайте редовно izdelieto визуално.

Докладвайте всякакви промени във функционирането на izdelieto на лекаря/протезиста, като например необичайни шумове, затруднено движение, ограничена/прекомерна ротация, значително износване или прекомерна промяна на цвета поради продължително излагане на ултравиолетови лъчи.

Информирайте лекаря/протезиста за всякакви промени в телесното тегло и/или нивото на мобилност.

Почистване

Използвайте навлажнена кърпа и мек сапун за почистване на външните повърхности. НЕ използвайте агресивни почистващи препарати.

Останалите инструкции в този раздел са предназначени само за лекаря/протезиста.

Поддръжката трябва да се извършва само от компетентен персонал (медицинско лице или техник с подходяща квалификация).

За поддържане на оптимална функция се препоръчва да се извършват периодични проверки за необичайни шумове, луфт и стабилност. Периодът между проверките се определя от различни фактори, като активността на потребителя, честотата на употреба и настройката за стабилност на протезното коляно.

Така например, ако настройката е 6 изщраквания или повече и потребителят изминава средно 600 000 крачки годишно, се препоръчва ежегодна проверка.

Ако настройката за стабилност е на по-малко от 6 изщраквания и/или потребителят обикновено прави по-малък брой крачки от средния, периодът между проверките може да се удължи.

Препоръчва се използване на монитор на активността на крайниците за определяне на броя крачки.

Препоръчваме регулиране на протезното коляно спрямо индивидуалните потребности на потребителя по отношение на стабилността за гарантиране на оптимална стабилност и издръжливост. Вижте насоките/диаграмата за регулиране.

По време на тези проверки:

- Проверете за дефекти във външния вид, които биха могли да повлияят на правилното функциониране.
- Проверете за медиално-латерален (M-L) луфт на шасито и за прекомерна компресия на гумата Stanceflex. Сменете лагерите и гумата Stanceflex, ако е необходимо.
- Проверете предния ограничител и сменете, ако е необходимо.
- Проверете спирачните механизми на пищяла и сменете, ако е необходимо.
- Демонтирайте, почистете и монтирайте отново механизма на коленната протеза.

Информирайте потребителя, че е препоръчителна редовна визуална проверка на изделието и че всякакви промени във функционирането на изделието трябва да бъдат докладвани на лекаря/протезиста. Промените във функционирането може да включват увеличаване или намаляване на сковаността на коляното, нестабилност, намалена опора на коляното (свободно движение) и всякакви необичайни шумове.

Ако изделието се използва за високо натоварване, степента на поддръжка и интервалът за поддръжка трябва да бъдат преразгледани и, ако е необходимо, да се потърси консултация и техническо съдействие за планиране на нов график на поддръжка, в зависимост от честотата и естеството на натоварването. Това трябва да се определи чрез индивидуална оценка на риска, извършена от лице с подходяща квалификация.

Съхранение и използване

При съхранение за продължителен период изделието трябва да се държи на сухо и при температурен диапазон от -15 °C до 50 °C.

Използвайте опаковката, с която е доставен продуктът.

6 Ограничения в употребата

Срок на експлоатация:

Необходимо е извършване на индивидуална оценка на риска въз основа на мобилността и употребата.

Повдигане на тежести

Ограниченията зависят от теглото на потребителя и неговото ниво на мобилност.

Носенето на тежести от потребителя трябва да бъде според индивидуалната оценка на риска.

Околна среда:

Избягвайте излагане на изделието на корозивни елементи, като вода, киселини и други течности. Освен това избягвайте абразивна среда, например среда, съдържаща пясък, тъй като това може да доведе до преждевременно износване.

Изделието може да се използва само при температура между -15 °C и 50 °C.



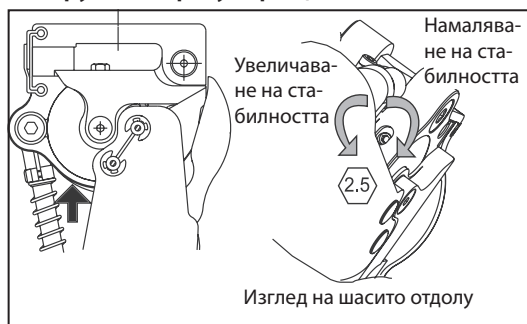
Подходящо за употреба на открито

7 Центроване на стенд

Инструкциите в този раздел са предназначени само за медицинско лице/протезист.

Проби за ходене

Пружинен регулиращ механизъм



Разгънете крайника напълно, за да получите достъп до регулиращия механизъм.

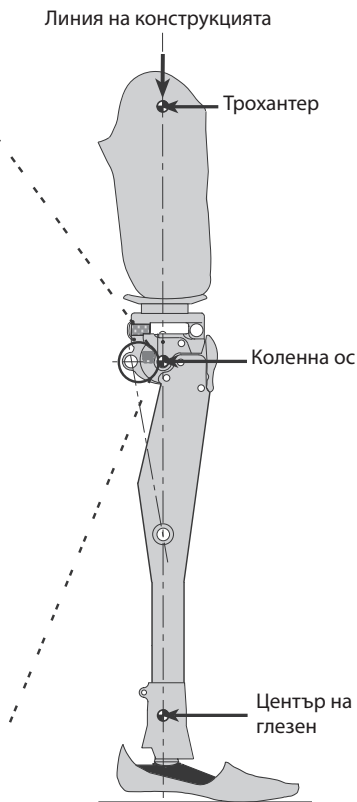
Завъртете ПРУЖИННИЯ РЕГУЛИРАЩ МЕХАНИЗЪМ до постигане на необходимата стабилност за протезирания.

Забележка... Трябва да се чуят изщраквания при регулирането, като регулиращият механизъм се заключва автоматично.

Затегнете ПРУЖИНИТЕ за намаляване на стабилността.

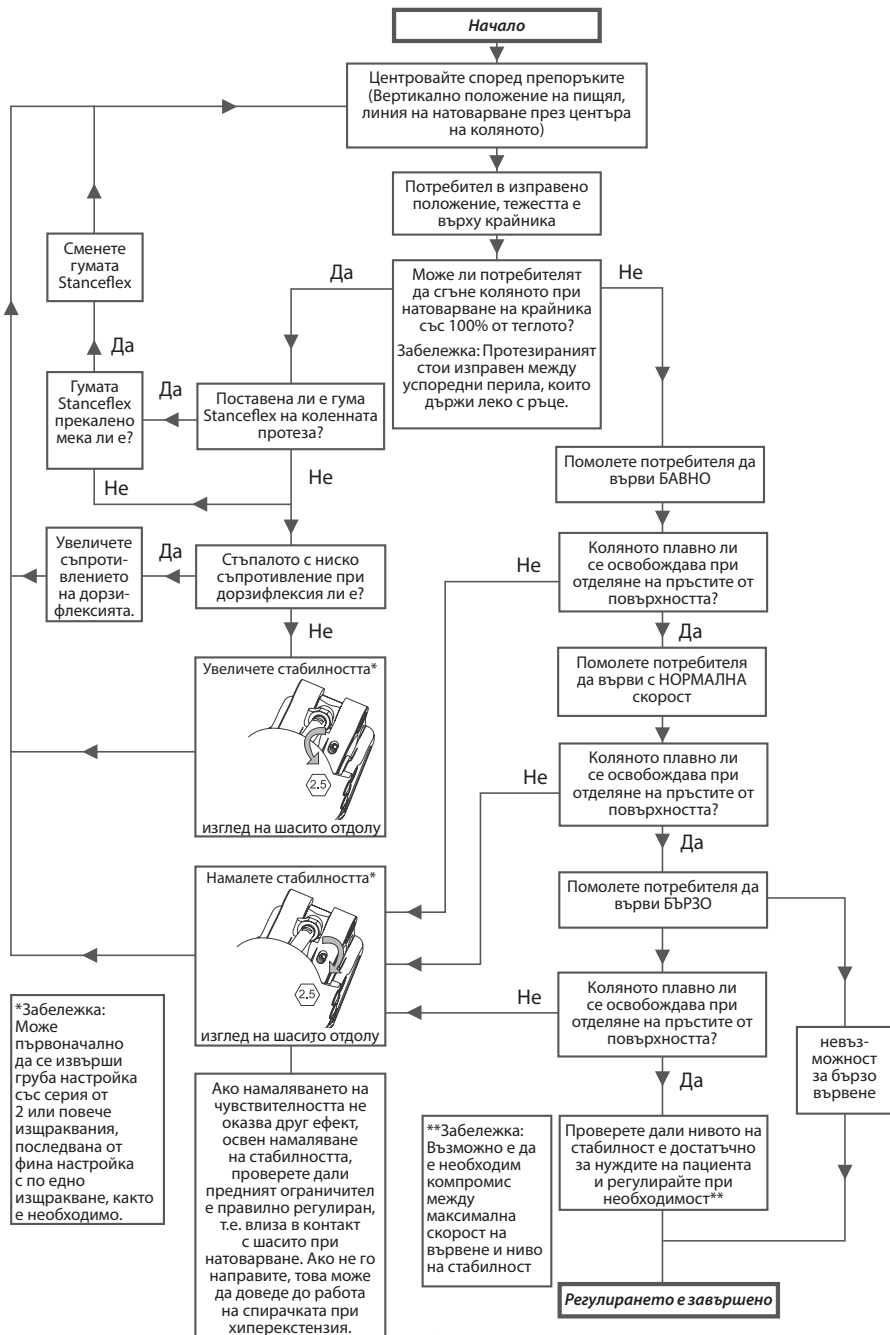
Освободете ПРУЖИНИТЕ за увеличаване на стабилността, вж. по-горе.

Ако е необходимо, регулиращият механизъм може да бъде върнат към фабричните настройки. Това може да се направи чрез намаляване на стабилността с шест ясни изщраквания считано от настройката за максимална стабилност.



8 Съвети за центроване и регулиране на стабилността

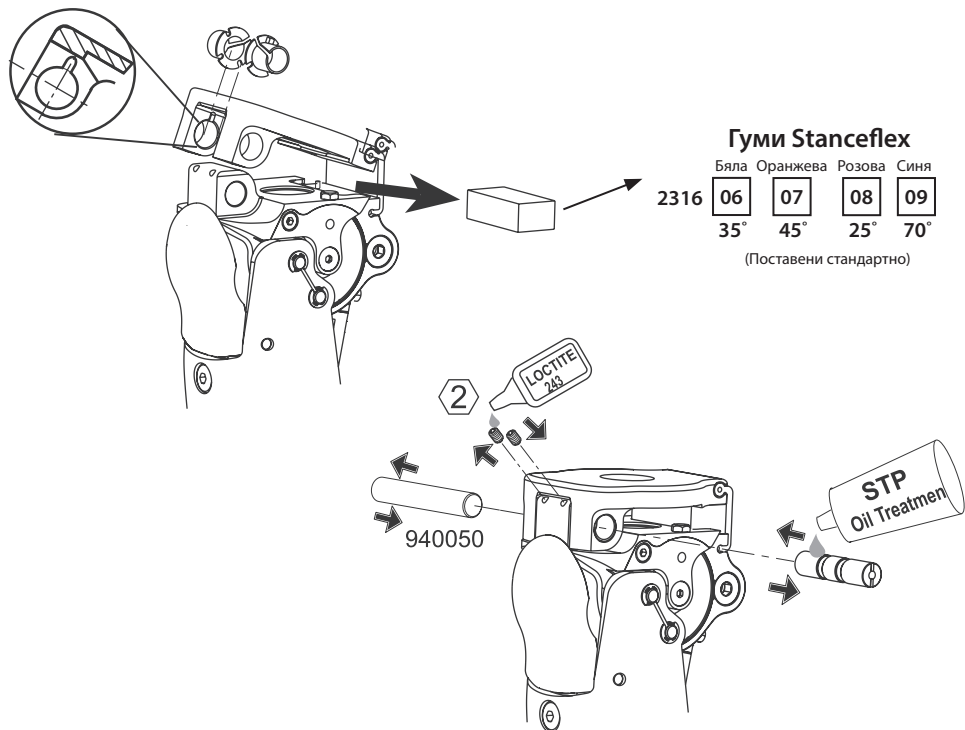
Инструкциите в този раздел са предназначени само за медицинско лице/протезист.



9 Съвети относно монтажа

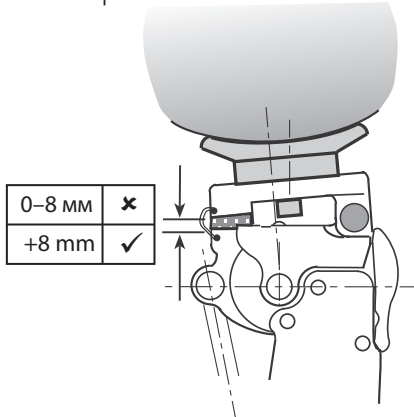
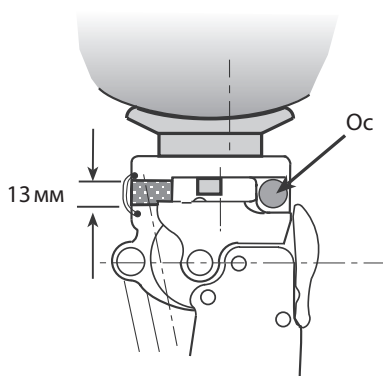
Инструкциите в този раздел са предназначени само за медицинско лице/протезист.

9.1 Смяна на гумите Stanceflex



Статично положение

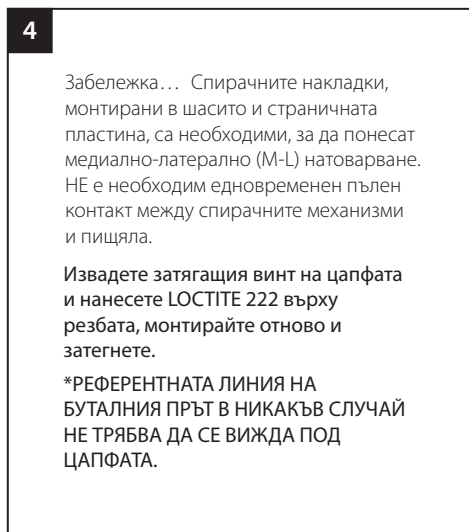
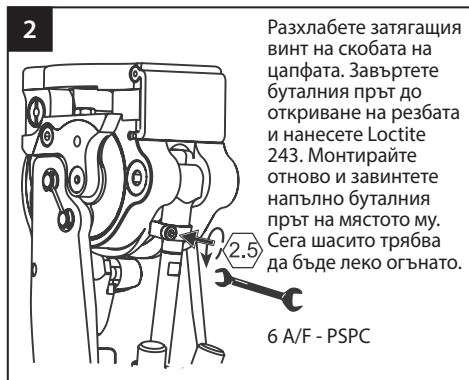
Флексия на коляното след докосване на повърхността от петата



9.2 Регулиране на преден ограничител - регулируема цапфа

Инструкциите в този раздел са предназначени само за медицинско лице/протезист.

Монтира се към PSPC



Регулиране на преден ограничител механизъм - нерегулируема интелигентна протеза

(Монтиран към по-стари модели със SmartIP.)

Не е необходимо регулиране при използване на тези цилиндри. При тях е необходимо предният ограничител да бъде напълно затегнат, както е показано в Стъпка 1.

9.3 Допълнително регулиране

Инструкциите в този раздел са предназначени само за медицинско лице/протезист.

Признак	Решение
Коляното не се стабилизира	Увеличете чувствителността
	Преместете приемната гилза напред
	Сменете стабилизиращия механизъм при повреда на задния ръб на спирачката
	Проверете гумата Stanceflex и сменете, ако е необходимо (Вижте минималната дебелина при компресия в раздел „Флексия на коляното след докосване на повърхността от петата“)
Коляното не се освобождава	Намалете чувствителността
	Проверете дали дължината на буталния прът е правилно регулирана
	Преместете приемната гилза назад
Петата се повдига прекалено високо по време на маховата фаза	Вижте инструкциите за употреба на цилиндъра за управление
Петата се повдига прекалено ниско по време на маховата фаза	Вижте инструкциите за употреба на цилиндъра за управление
Потребителят усеща силен удар в крайната махова фаза	Вижте инструкциите за употреба на цилиндъра за управление
Изделието не се разгъва напълно по време на маховата фаза	Вижте инструкциите за употреба на цилиндъра за управление

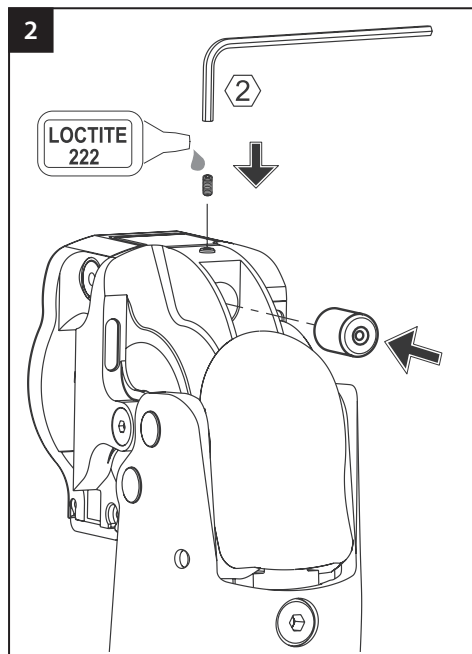
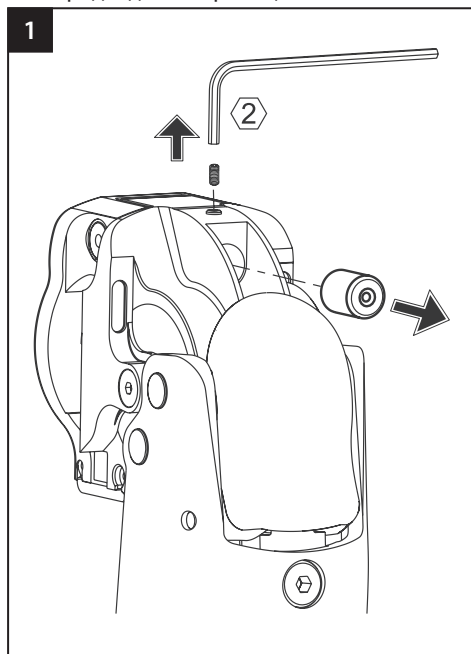
Ако след прилагане на тези инструкции продължавате да имате проблеми с функционирането, свържете се с местния екип по продажбите за консултация.

10 Инструкции за монтиране

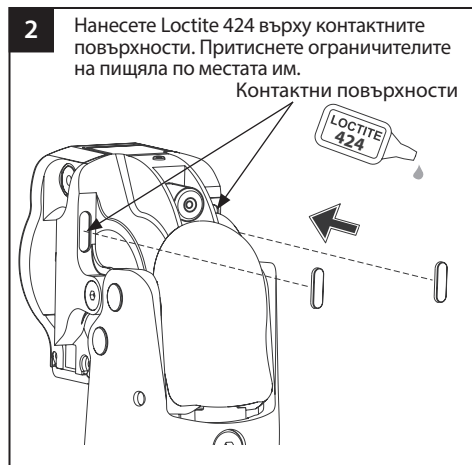
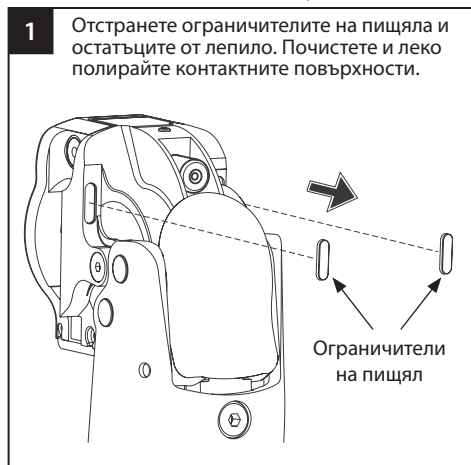
Инструкциите в този раздел са предназначени само за медицинско лице/протезист.

10.1 Смяна на буфера на предния ограничител

При монтиране на нов преден ограничител винаги регулирайте наново и, ако е приложимо, проверявайте дължината на цилиндъра, ако към него е монтирана регулируема цапфа. (Вж. предходната страница.)

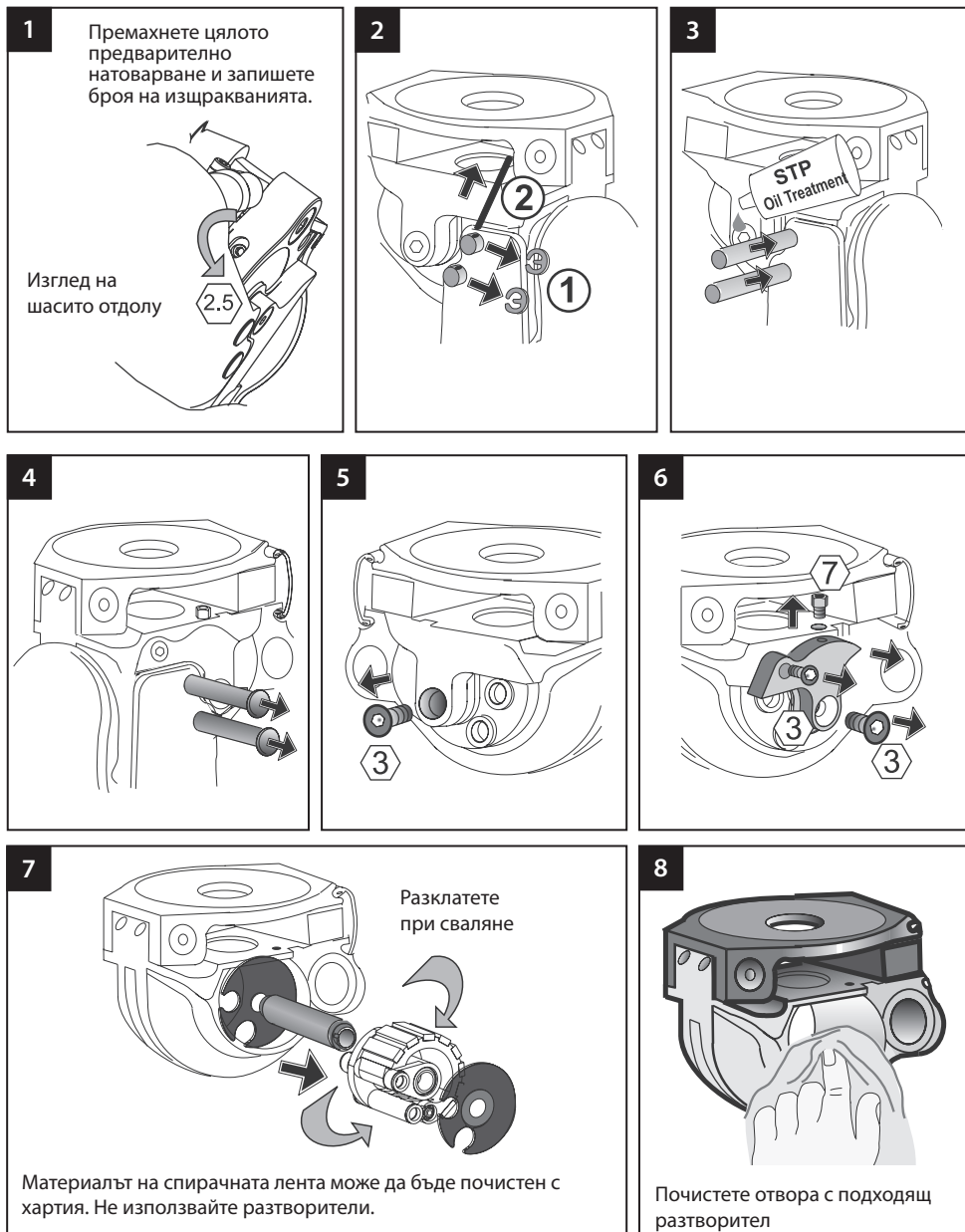


10.2 Смяна на спирачните механизми на пиццала



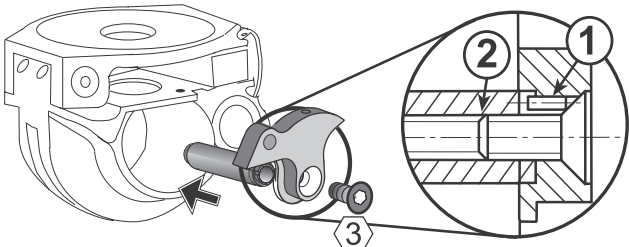
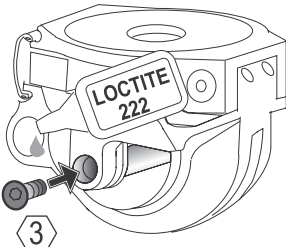
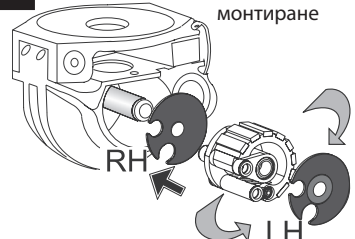
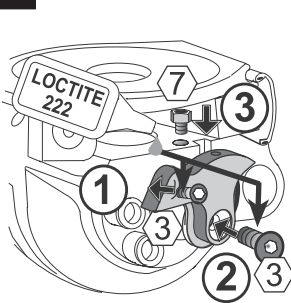
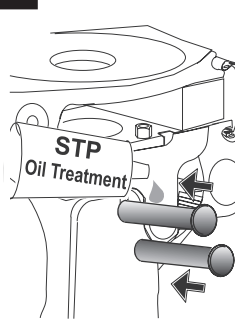
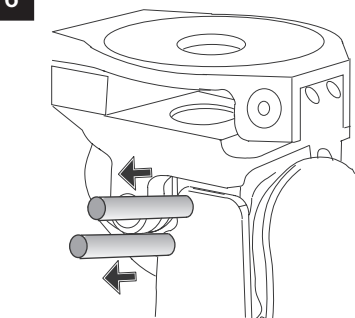
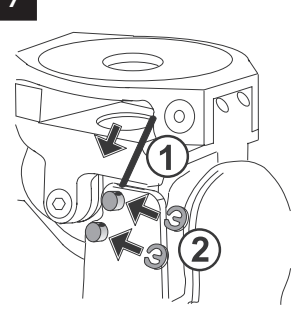
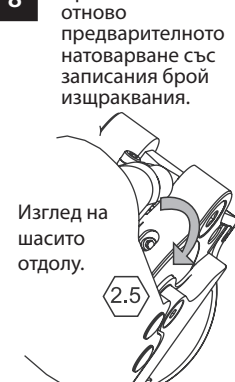
10.3 Демонтаж на механизма ESK+

Инструкциите в този раздел са предназначени само за медицинско лице/протезист.



10.4 Смяна на механизма ESK+

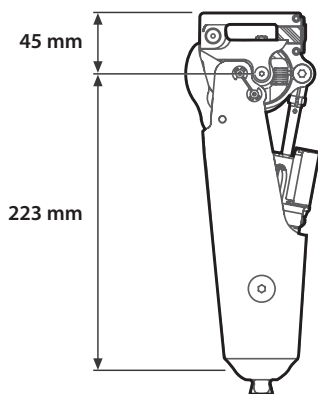
Инструкциите в този раздел са предназначени само за медицинско лице/протезист.

<p>1</p>  <p>Нагласете нагоре страничната пластина, за да изравните отвора във вала (2) и шпонката (1), но не монтирайте на този етап.</p>	<p>2</p>  <p>Завийте вала към шасито.</p>	
<p>3</p> <p>Разклатете при монтиране</p>  <p>ОРИЕНТАЦИЯТА Е ВАЖНА! Монтирайте с равните страни и буквите (RH – дясно), LH – ляво), сочещи навътре.</p>	<p>4</p>  <p>Завийте страничната пластина (1) навътре до упор. Завийте вала (2) навътре до упор. Завийте болта (3) навътре до упор.</p>	<p>5</p>  <p>Приложете STP Oil Treatment на вала (2) и страничната пластина (1).</p>
<p>6</p> 	<p>7</p> 	<p>8</p> <p>Приложете отново предварителното натоварване със записания брой изщраквания.</p> <p>Изглед на шасито отдолу.</p> 

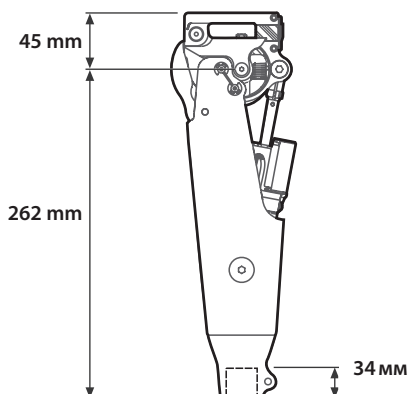
11 Технически данни

Температурен диапазон на експлоатация и съхранение:	от -15 °C до 50 °C
Тегло на елемента:	
SmartIP	1,27 кг
PSPC	1,13 кг
Ниво на мобилност:	2–3 (4)
Максимално тегло на потребителя:	
Нива на мобилност 2-3	125 кг
Ниво на мобилност 4	100 кг
Максимален ъгъл на флексия:	140°
Проксимално закрепване за центроване:	Едноболтово (Blatchford)
Дистално закрепване за центроване:	Скоба за тръба 30 мм или входяща пирамида (Blatchford)
Височина на конструкцията:	Вижте диаграмите по-долу.

Монтажна дължина



ESK+ Stanceflex с дистална пирамида



ESK+ Stanceflex с дистална скоба за тръба 30 мм

12 Информация за поръчка

Примерна поръчка

	ESK+ със Stanceflex							
	Дистална скоба за тръба 30 мм				Дистална пирамида			
Пневматичен цилиндър	ESK	SF	P	30	ESK	SF	P	PYR
	ESK+	Stanceflex	PSPC	Дистална скоба за тръба 30 мм	ESK+	Stanceflex	PSPC	Дистална пирамида
Коленна протеза SmartIP	SMARTIP	SF		30	SMARTIP	SF		PYR
	Коленна протеза SmartIP	Stanceflex		Дистална скоба за тръба 30 мм	Коленна протеза SmartIP	Stanceflex		Дистална пирамида
Не е монтиран цилиндър за управление	ESK	SF		30	ESK	SF		PYR
	ESK+	Stanceflex		Дистална скоба за тръба 30 мм	ESK+	Stanceflex		Дистална пирамида

Резервни части

Артикул	Кат. №
Модул на коленна протеза Stanceflex	239149
Щифт за центроване на механизъм ESK	234914
Накладка на преден ограничител	234903
Комплект на стабилизиращ механизъм ESK+	239949
Ограничител на пицял	233810

Гума Stanceflex

Артикул	Кат. №
25° розова (мека)	231608
35° бяла	231606
45° оранжева (поставена стандартно)	231607
70° синя (твърда)	231609

Отговорност

Производителят препоръчва изделието да се използва само при посочените условия и по предназначение. Изделието трябва да се поддържа в съответствие с инструкциите за употреба, предоставени с него. Производителят не носи отговорност за неблагоприятни събития, причинени от комбинации от елементи, които не са одобрени от него.

Маркировка за съответствие CE

Този продукт отговаря на изискванията на Регламент (ЕС) 2017/745 за медицинските изделия. Този продукт е класифициран като продукт от клас I според правилата за класификация, описани в Приложение VIII на регламента. ЕС декларацията за съответствие е достъпна на следния интернет адрес: www.blatchford.co.uk



Медицинско изделие



Предназначено за многократна употреба от един пациент

Съвместимост

Комбинирането с продукти на Blatchford е одобрено въз основа на изпитвания в съответствие с приложимите стандарти и Регламент (ЕС) 2017/745 за медицинските изделия, включително изпитване на конструкцията, съвместимост относно размерите и проследяване на функционалността в реални условия.

Комбинирането с други продукти с маркировка CE трябва да се извършва с оглед на документираната индивидуална оценка на риска, извършена от специалист.

Гаранция

Гаранцията на това изделие е 24 месеца, а на спирачната лента – 12 месеца.

Потребителят трябва да е наясно, че промени или модификации, които не са изрично одобрени, биха могли да доведат до анулиране на гаранцията, лицензите за работа и изключенията.

Вижте уебсайта на Blatchford за актуалната пълна декларация за гаранция.

Докладване на сериозни инциденти

В малко вероятния случай на сериозен инцидент, свързан с настоящото изделие, инцидентът трябва да се докладва на производителя и на компетентния национален орган.

Екологични аспекти

Този продукт съдържа хидравлично масло, комбинации от метали и пластмаса. Когато е възможно, елементите му трябва да се рециклират в съответствие с местните разпоредби за управление на отпадъците.

Запазване на етикета на опаковката

Препоръчва се медицинското лице/протезистът да запази етикета на опаковката като документ за доставеното изделие.

Адрес на управление на производителя

Blatchford Products Limited, Lister Road, Basingstoke RG22 4AH, Обединено кралство.

Потвърждение за търговска марка

Blatchford е регистрирана търговска марка на Blatchford Products Limited.

Sadržaj.....	56
1 Opis i predviđena namjena	57
2 Informacije o sigurnosti	59
3 Izvedba.....	60
4 Funkcija.....	61
5 Održavanje.....	61
6 Ograničenja uporabe.....	62
7 Početno poravnanje	63
8 Savjeti za poravnanje i prilagodba stabilnosti.....	64
9 Savjeti za prilagođavanje	65
9.1 Zamjena gume Stanceflex	65
9.2 Prilagodba prednje blokade – podesiva stopica	66
9.3 Daljnje prilagodbe	67
10 Upute za sklapanje	68
10.1 Zamjena odbojnika prednje blokade	68
10.2 Zamjena blokada cijevi	68
10.3 Rasklapanje mehanizma ESK+	69
10.4 Zamjena mehanizma ESK+	70
11 Tehnički podaci	71
12 Informacije za naručivanje.....	72

1 Opis i predviđena namjena

Ove upute za uporabu namijenjene su zdravstvenim djelatnicima i korisnicima, osim ako nije drukčije navedeno.

Izraz proizvod u ovim uputama za uporabu odnosi se na proizvode Stanceflex ESK+.

Molimo s razumijevanjem pročitajte sve upute za uporabu, posebno sve informacije o sigurnosti i upute o održavanju.

Primjena

Ovaj se proizvod smije upotrebljavati isključivo kao dio proteze donjeg ekstremiteta.

Ovo je proizvod za jednog korisnika.

Proizvod je jednoosno, težinom aktivirano stabilizirano koljeno s ugrađenim elementom za fleksiju u stavu i namijenjen je poboljšanju sigurnosti i smanjenju kompenzacije.

Cijev se može opremiti s PSPC (pneumatska kontrola faze njihanja) ili SmartIP (pametna protetika) kontrolom faze njihanja ili isporučiti bez cilindra.

Gumeni element na stražnjem dijelu postolja koljena omogućava dodatnu fleksiju u stavu.

Značajke

	Ručno podesiv cilindar PSPC	Mikroprocesorom upravljani cilindar SmartIP
Fleksija stava prilikom nošenja tereta	✓	✓
Čvrsti okvir od karbonskih vlakana	✓	✓
140 stupnjeva fleksije koljena	✓	✓
Podesiva osjetljivost stabilnosti koljena	✓	✓
Zasebne ručno podesive kontrole njihanja za fleksiju i ekstenziju	✓	
Mikroprocesorom upravljana kontrola njihanja u fleksiji s ručno podesivim prigušivanjem krajnje sile udara u ekstenziji.		✓

Stupanj aktivnosti

Ovaj proizvod namijenjen je korisnicima stupnjeva aktivnosti 2, 3 i 4 (uz ograničenja težine, pogledajte *Tehnički podaci*).

Proizvod nije prikladan za korisnike stupnja aktivnosti 1 ili uporabu u sportskim natjecanjima. Za korisnike ove vrste primjerenija je posebno oblikovana proteza optimizirana za njihove potrebe.

Stupanj aktivnosti 1

Može upotrebljavati ili postoji potencijal upotrebljavanja proteze za transfer ili kretanje na ravnim površinama ujednačenim tempom. Karakteristično za osobu ograničene i neograničene sposobnosti hoda.

Stupanj aktivnosti 2

Može hodati ili postoji potencijal za hod uz sposobnost prelazanja manjih prepreka u okruženju, poput rubnika, stuba ili neravnih površina. Karakteristično za ograničene sposobnosti hoda u vanjskom okruženju.

Stupanj aktivnosti 3

Može hodati ili postoji potencijal za hod promjenjivim tempom. Karakteristično za osobu sa sposobnošću hoda u vanjskom okruženju koja može prelaziti većinu prepreka u okruženju i bavi se radnim, terapijskim ili rekreacijskim aktivnostima koje zahtijevaju složeniju uporabu proteze koja nadilazi jednostavne oblike kretanja.

Stupanj aktivnosti 4

Može hodati ili postoji potencijal za hod s protezom koji nadilazi osnovne sposobnosti kretanja, a pokazuje značajnu razinu upora, izdržljivosti i energije. Karakteristično za protetičke potrebe djece, aktivnih odraslih osoba ili sportaša.

Kliničke prednosti

- Težinom aktivirana kontrola stava i podesiva kontrola njihanja omogućavaju neometan, siguran hod uz slobodno koljeno.
- Sustav Stanceflex poboljšava amortizaciju sila udara.
- Mikroprocesorom kontrolirano njihanje omogućava optimizaciju svojstva hoda u hodanju različitim brzinama. (Samo cilindar SmartIP.)

Kontraindikacije

Ovaj proizvod nije prikladan za:

- korisnike s izraženom slabošću mišića, kontrakturama koje nije moguće pravilno zbrinuti, ili disfunkcijama propriocepcije uključujući lošu ravnotežu.
- korisnike s nestabilnostima ili patologijom kontralateralnih zglobova.
- korisnike s kompliciranim stanjima uključujući višestruki invaliditet.
- korisnike, uključujući osobe s obje natkoljenice amputirane, kojima je potrebna funkcija popuštanja za silazak niza stuba ili sjedanje. To može prouzročiti oštećenje kočionog mehanizma, što može negativno utjecati na stabilnost i izdržljivost.



Korisnici moraju proći trening hoda prije uporabe ovog proizvoda.



Osigurajte da je korisnik u potpunosti shvatio sve upute za uporabu, posebno obraćajući pozornost na sve odjeljke s informacijama o održavanju i sigurnosti.

2 Informacije o sigurnosti



Ova oznaka upozorenja naglašava važne informacije o sigurnosti.



U svakom trenutku vodite računa o riziku od prignječenja prstiju.



Bilo kakve promjene u funkcionalnosti ili radu ekstremiteta npr. nestabilnost, dvostruke kretnje, ograničeni pokreti, neuravnoteženi pokreti ili neobični zvukovi, moraju se odmah prijaviti pružatelju usluge.



Uvijek upotrebljavajte rukohvat prilikom silaženja niza stube i u svim ostalim prilikama ako je dostupno.



Sve pretjerane promjene u visini pete nakon dovršavanja poravnjanja mogu negativno utjecati na rad ekstremiteta.



Osigurajte da se za vožnju koriste odgovarajuće prilagođena vozila. Svi korisnici dužni su pridržavati se važećih prometnih propisa prilikom upravljanja motornim vozilima.



Potrebno je obratiti pozornost prilikom nošenja teškog tereta jer to može negativno utjecati na stabilnost proizvoda.



Korisnika treba uputiti da o svakoj promjeni svog stanja obavijesti zdravstvenog djelatnika.



Izbjegavajte izlaganje ekstremnim vrućinama i/ili hladnoći.



Sklapanje, održavanje i popravak proizvoda mora obavljati odgovarajuće osposobljeni kliničar.

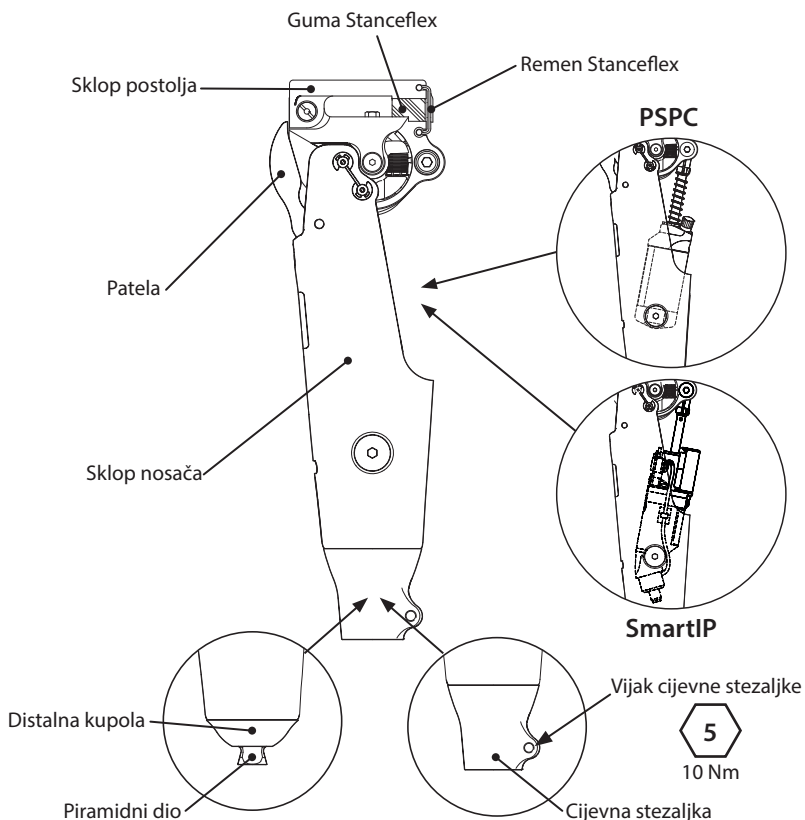


Ovaj proizvod nije namijenjen uporabi pod vodom ili kao proteza za tuširanje. Ako ekstremitet dođe u doticaj s vodom odmah ga osušite brisanjem.

3 Izvedba

Glavni dijelovi

- Sklop nosača Kompozitna karbonska vlakna i nehrđajući čelik
- Sklop postolja Aluminijska slitina, nehrđajući čelik, tehnička termoplastika, tarni materijali ojačani vlaknima (bez azbesta).
- Distalna kupola Aluminijska slitina
- Distalni piramidni dio Titanij s vijcima od nehrđajućeg čelika
- Distalna cijevna stezaljka Aluminijska slitina
- Patela Tehnička termoplastika
- Guma Stanceflex Prirodna guma
- Remen Stanceflex Kevlar
- PSCP Aluminijska slitina, nehrđajući čelik, titanij, tehnička termoplastika
- Kontrolni cilindar SmartIP Aluminijska slitina, nehrđajući čelik, titanij, tehnička termoplastika
Elektroničke komponente, baterije



4 Funkcija

Koljeno je jednoosne izvedbe i sadrži koljenski svornjak koji učvršćuje postolje na nosač. Težinom aktiviran mehanizam stabilizacije koljena nalazi se unutar postolja. Postolje koljena u središtu ima spoenu gornju pločicu koju elastično podupire gumena blokada, to omogućava fleksiju u stavu pod opterećenjem i amortizira sile udara kod nagaza petom.

Kontrolni cilindar koljena nalazi se unutar ovog sklopa okvira, smješten između stražnjeg svornjaka postolja i distalnog svornjaka nosača.

Cilindar PSPC ima ručno podesive ventile koji omogućuju nezavisnu kontrolu otpora fleksije i ekstenzije prilikom faze njihanja.

Kontrolni cilindar SmartIP upotrebljava senzore unutar cilindra radi nadziranja brzine hoda i automatski prilagođava otpor fleksije prema potrebi. Kontrola fleksije odvija se putem fiksne prilagodbe prigušivača krajnje sile udara.

5 Održavanje

Redovito vizualno pregledavajte proizvod.

Bilo kakve promjene u funkcionalnosti ovog proizvoda prijavite zdravstvenom djelatniku/pružatelju usluge, npr. neobične zvukove, povećanu ukočenost, ograničenu/pretjeranu rotaciju, značajnu dotrajalost ili pretjeranu izbljedjelost zbog dugotrajne izloženosti UV zračenju.

Obavijestite zdravstvenog djelatnika/pružatelja usluge o svim promjenama u tjelesnoj težini i/ili stupnju aktivnosti.

Čišćenje

Vanjske površine čistite vlažnom krpom i blagim sapunom. NE UPOTREBLJAVAJTE agresivna sredstva za čišćenje.

Ostale upute u ovom odjeljku namijenjene su samo zdravstvenom djelatniku.

Ovo održavanje smije izvoditi samo kvalificirano osoblje (zdravstveni djelatnik ili odgovarajuće osposobljeni tehničar).

Za održavanje optimalne funkcionalnosti preporučuje se povremena provjera pojave neprihvatljivih zvukova, zračnosti i stabilnosti. Razdoblje između provjera određuje se prema čimbenicima kao što su aktivnost korisnika, učestalost uporabe i postavke stabilizacije koljena.

Kao smjernica, preporučuje se godišnja provjera ako je postavka 6 ili više klikova, a korisnik godišnje napravi u prosjeku 600 000 koraka.

Ako je postavka stabilizacije manje od 6 klikova i/ili korisnik u prosjeku napravi manje od prosječnog broja koraka, razdoblje između provjera može biti i dulje.

Preporučuje se uporaba monitora aktivnosti ekstremiteta radi određivanja broja koraka.

Preporučujemo prilagoditi koljeno prema potrebama pojedinačnog korisnika radi osiguravanja optimalne stabilnosti i izdržljivosti. Pogledajte smjernice/dijagram toka prilagodbe.

Kod ovih provjera:

- Provjerite vidljive nedostatke koji bi mogli utjecati na pravilno funkcioniranje.
- Provjerite dolazi li do M–L zračnosti postolja i pretjeranog opterećenja gume Stanceflex. Zamijenite ležajeve i gumu Stanceflex ako je potrebno.
- Provjerite prednju blokadu i zamijenite ako je potrebno.
- Provjerite blokadu cijevi i zamijenite ako je potrebno.
- Rasklopite, očistite i ponovno sklopite mehanizam koljena.

Korisniku preporučite da redovito vizualno pregledava proizvod i da sve promjene u funkcionalnosti ovog proizvoda prijavi zdravstvenom djelatniku. Promjene u funkcionalnosti mogu uključivati: povećanje ili smanjenje krutosti koljena, nestabilnost, smanjenu potporu koljena (slobodno kretanje), bilo kakve neobične zvukove.

Ako se proizvod upotrebljava za ekstremnu aktivnost, opseg i raspored održavanja potrebno je analizirati i, po potrebi, zatražiti savjet i tehničku podršku radi planiranja novog rasporeda održavanja ovisno o učestalosti i prirodi aktivnosti. To je potrebno odrediti procjenom rizika na licu mjesta od strane odgovarajuće kvalificirane osobe.

Pohrana i rukovanje

Kada pohranjujete na dulja razdoblja, proizvod je potrebno držati na suhom i unutar temperaturnog raspona od -15°C do 50°C .

Upotrijebite isporučenu ambalažu proizvoda.

6 Ograničenja uporabe

Predviđen rok trajanja:

Lokalnu procjenu rizika potrebno je izvršiti na temelju aktivnosti i uporabe.

Podizanje tereta

Tjelesna težina korisnika i aktivnosti podliježu navedenim ograničenjima.

Teret koji korisnik smije nositi mora se odrediti lokalnom procjenom rizika.

Okruženje:

Izbjegavajte proizvod izlagati korozivnim elementima poput vode, kiselina i drugih tekućina. Također izbjegavajte abrazivna okruženja s npr. pijeskom jer to može pridonijeti prijevremenom trošenju.

Isključivo za uporabu na temperaturi od -15°C do 50°C .

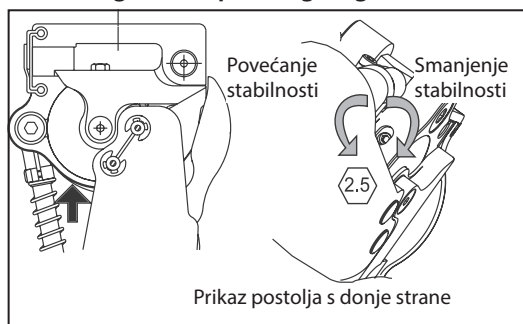


7 Početno poravnanje

Upute u ovom odjeljku namijenjene su samo zdravstvenom djelatniku.

Ispitivanja dinamike hoda

Regulator opružnog sloga



Potpuno ispružite ekstremitet za pristup regulatoru.

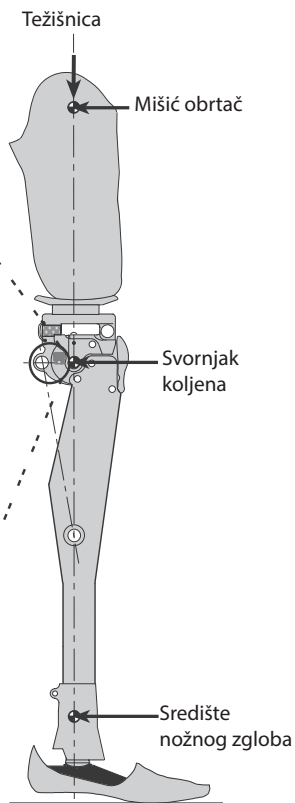
Okrenite REGULATOR OPRUŽNOG SLOGA za postizanje potrebne stabilnosti prema potrebi pojedinačnog korisnika.

Napomena... Prilikom prilagodbe moraju se čuti zvučni klikovi, a regulator se samozaključava.

Zategnite OPRUŽNI SLOG za smanjenje stabilnosti.

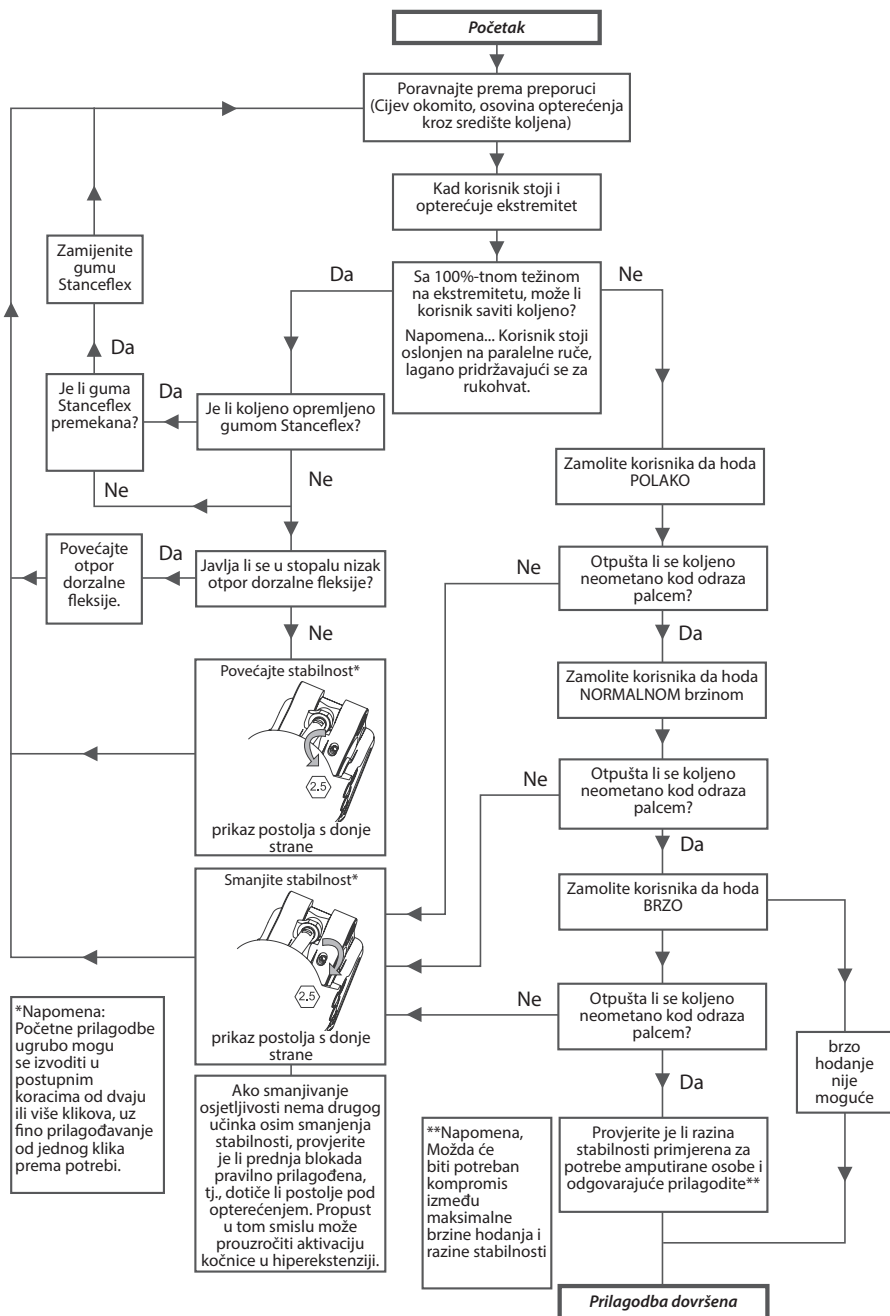
Otpustite OPRUŽNI SLOG za povećanje stabilnosti – pogledajte iznad.

Ako je potrebno, regulator je moguće postaviti na tvorničke postavke. To se postiže smanjivanjem stabilnosti za šest zvučnih klikova počevši od maksimalne postavke stabilnosti.



8 Savjeti za poravnanje i prilagodba stabilnosti

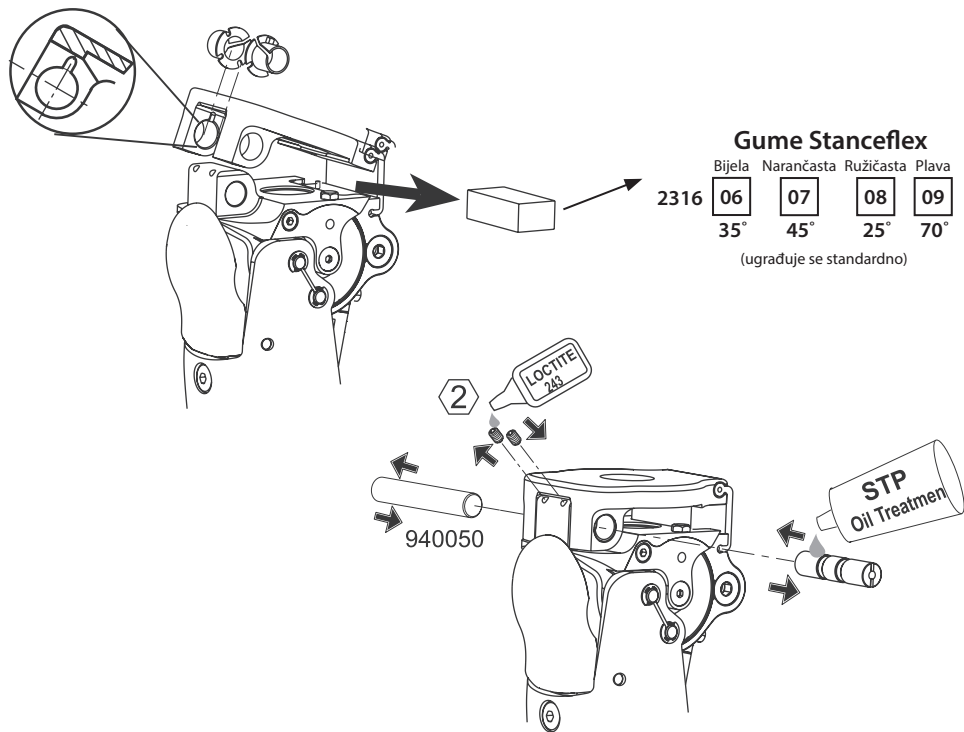
Upute u ovom odjeljku namijenjene su samo zdravstvenom djelatniku.



9 Savjeti za prilagođavanje

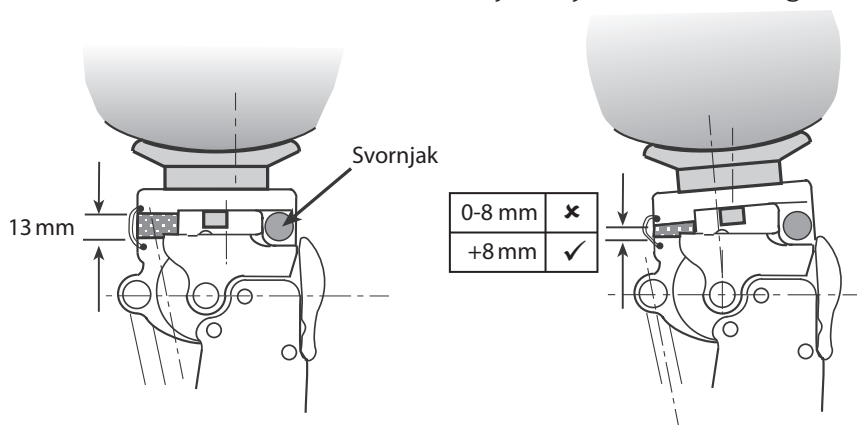
Upute u ovom odjeljku namijenjene su samo zdravstvenom djelatniku.

9.1 Zamjena gume Stanceflex



Statika

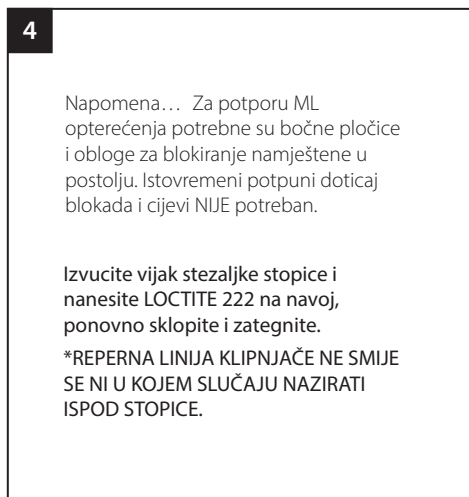
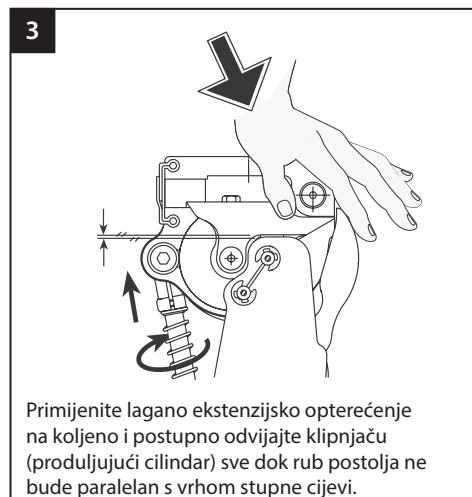
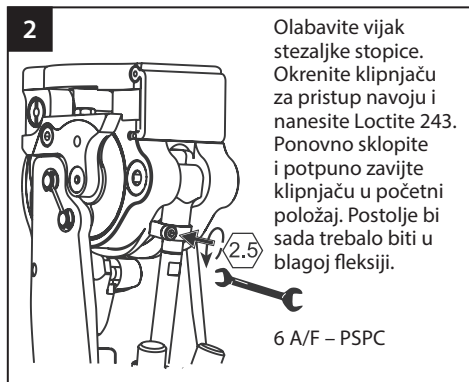
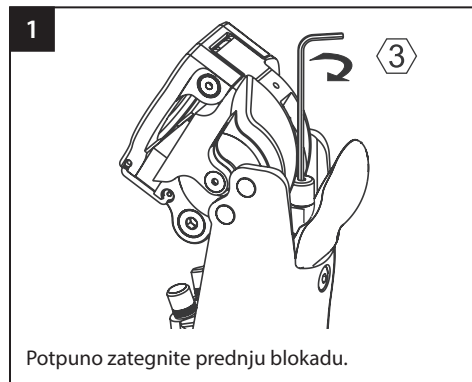
Fleksija koljena nakon nagaza petom



9.2 Prilagodba prednje blokade – podesiva stopica

Upute u ovom odjeljku namijenjene su samo zdravstvenom djelatniku.

Ugrađena u cilindar PSPC



Prilagodba prednje blokade – Nepodesiva pametna preteza

(Kako je ugrađena u starije modele SmartIP.)

Kod uporabe ovih cilindara nije potrebna prilagodba. Kod njih je potrebno potpuno zategnuti prednju blokadu kako je prikazano u Fazi 1.

9.3 Daljnje prilagodbe

Upute u ovom odjeljku namijenjene su samo zdravstvenom djelatniku.

Simptom	Rješenje
Koljeno se ne stabilizira	Povećajte osjetljivost
	Pomaknite ležište prema naprijed
	Zamijenite mehanizam za stabilizaciju ako je izlazni rub kočnice oštećen
	Provjerite gumu Stanceflex i zamijenite ako je potrebno (Pogledajte minimalnu debljinu za opterećenje u odjeljku <i>Fleksija koljena nakon nagaza petom</i>)
Koljeno se ne otpušta	Smanjite osjetljivost
	Provjerite je li duljina klipnjače pravilno prilagođena
	Pomaknite ležište prema natrag
Podizanje pete je previsoko tijekom njihanja	Pogledajte upute za uporabu kontrolnog cilindra
Podizanje pete je prenisko tijekom njihanja	Pogledajte upute za uporabu kontrolnog cilindra
Korisnik doživljava krajnju silu udara	Pogledajte upute za uporabu kontrolnog cilindra
Proizvod se ne pruža potpuno tijekom njihanja	Pogledajte upute za uporabu kontrolnog cilindra

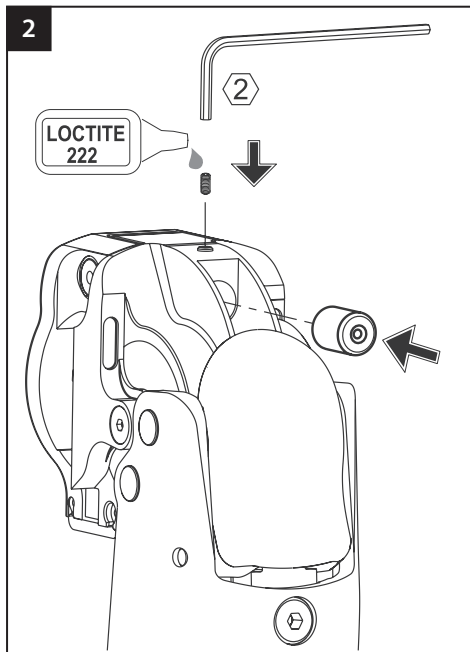
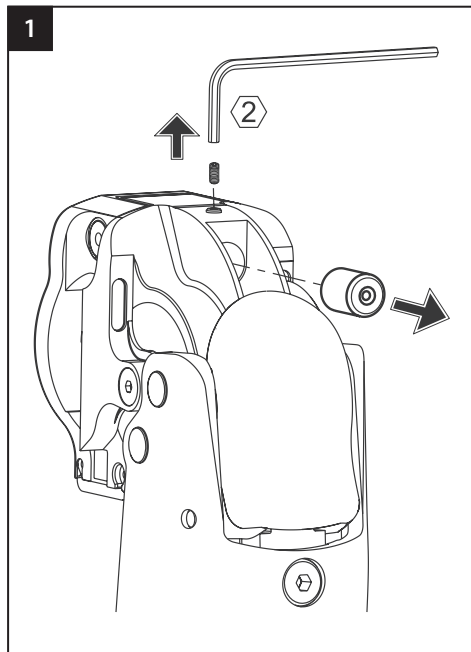
Ako nakon postupanja prema ovim uputama i dalje postoje problemi s funkcioniranjem, molimo kontaktirajte službu prodaje na vašem području za savjet.

10 Upute za sklapanje

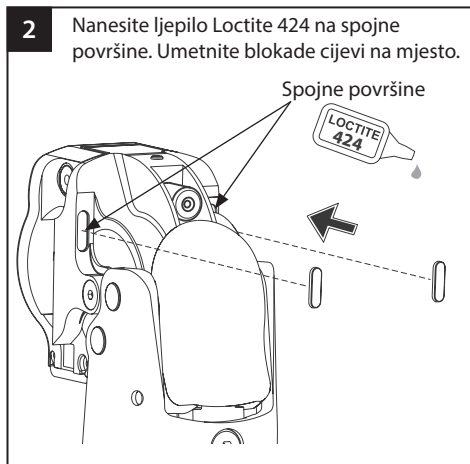
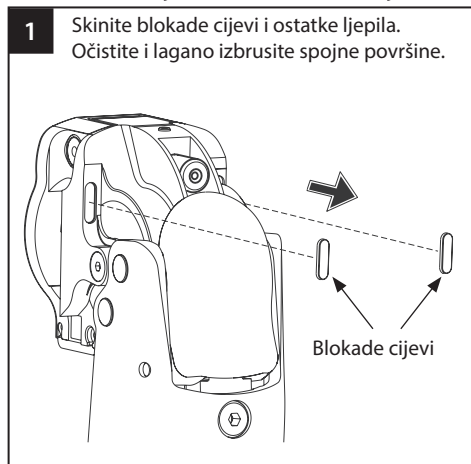
Upute u ovom odjeljku namijenjene su samo zdravstvenom djelatniku.

10.1 Zamjena odbojnika prednje blokade

Kada postavljate novu prednju blokadu uvijek ponovno izvedite prilagodbu i, ako je primjenjivo, provjerite duljinu cilindra ako je opremljen s podesivom stopicom. (Pogledajte prethodnu stranicu.)

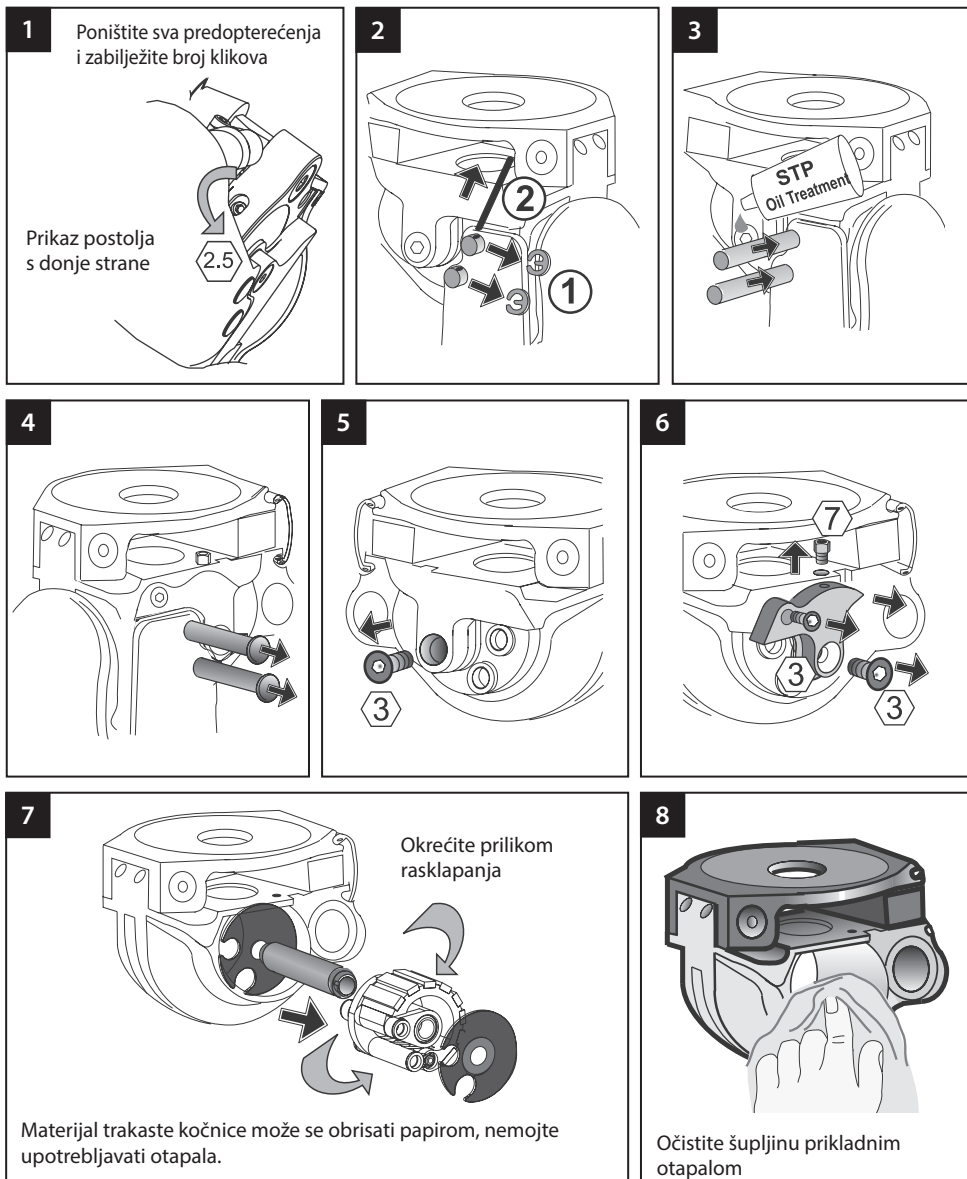


10.2 Zamjena blokada cijevi



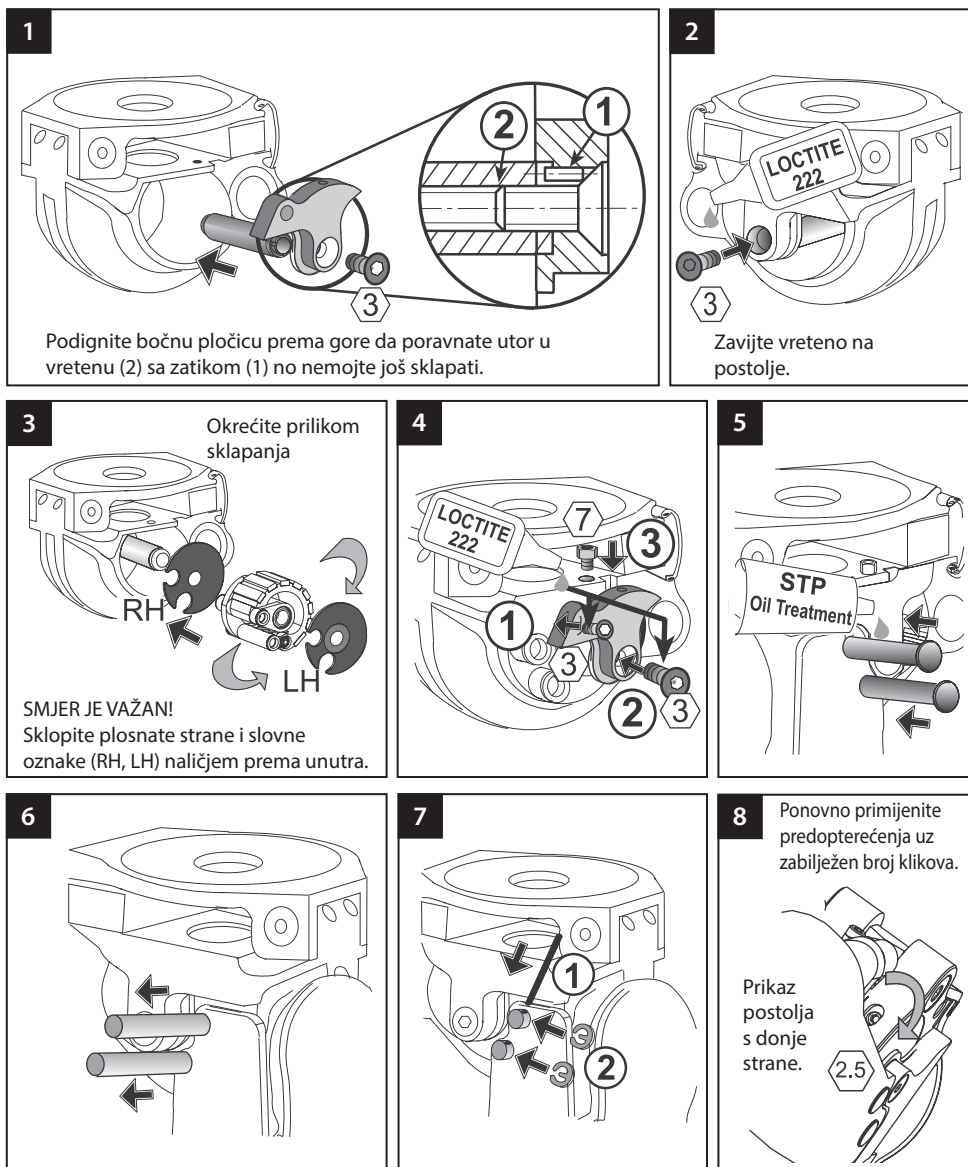
10.3 Rasklapanje mehanizma ESK+

Upute u ovom odjeljku namijenjene su samo zdravstvenom djelatniku.



10.4 Zamjena mehanizma ESK+

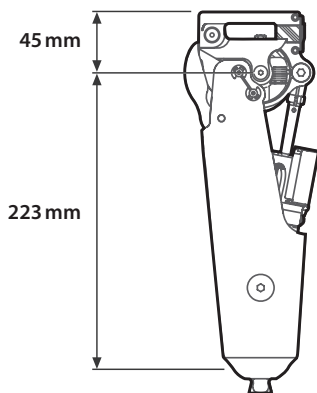
Upute u ovom odjeljku namijenjene su samo zdravstvenom djelatniku.



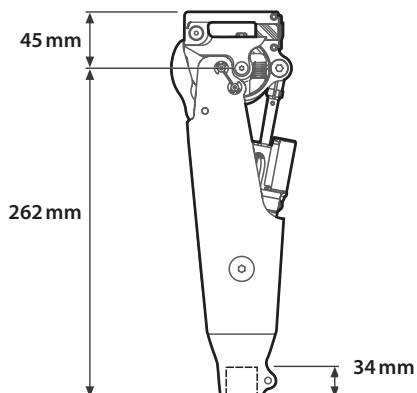
11 Tehnički podaci

Radni i temperaturni raspon skladištenja:	-15 °C do 50 °C
Težina komponente:	
SmartIP	1,27 kg
PSPC	1,13 kg
Stupanj aktivnosti:	2–3 (4)
Maksimalna tjelesna težina korisnika:	
Stupnjevi aktivnosti 2–3	125 kg (275 lb)
Stupanj aktivnosti 4	100 kg
Maksimalni nagib fleksije:	140°
Priključak za poravnanje proksimalnog dijela:	Jednovijčani (Blatchford)
Priključak za poravnanje distalnog dijela:	Cijevna stezaljka promjera 30 mm ili muški piramidni dio (Blatchford)
Visina izvedbe:	Pogledajte crteže ispod.

Duljina prilagođavanja



**ESK+ Stanceflex s distalnim
piramidnim dijelom**



**ESK+ Stanceflex s distalnom
cijevnom stezaljkom promjera
30 mm**

12 Informacije za naručivanje

Primjer narudžbe

	ESK+ uz Stanceflex							
	Distalna cijevna stezaljka promjera 30 mm				Distalni piramidni dio			
Pneumatski cilindar	ESK	SF	P	30	ESK	SF	P	PYR
	ESK+	Stanceflex	PSPC	Distalna cijevna stezaljka promjera 30 mm	ESK+	Stanceflex	PSPC	Distalni piramidni dio
Koljeno SmartIP	SMARTIP	SF	30	SMARTIP	SF	PYR		
	Koljeno SmartIP	Stanceflex	Distalna cijevna stezaljka promjera 30 mm	Koljeno SmartIP	Stanceflex	Distalni piramidni dio		
Bez ugrađenog kontrolnog cilindra	ESK	SF	30	ESK	SF	PYR		
	ESK+	Stanceflex	Distalna cijevna stezaljka promjera 30 mm	ESK+	Stanceflex	Distalni piramidni dio		

Zamjenski dijelovi

Dio	Br. dijela
Sklop koljena Stanceflex	239149
Zatik za poravnanje mehanizma ESK	234914
Obloga prednje blokade	234903
Komplet stabilizacijskog mehanizma ESK+	239949
Blokada cijevi	233810

Guma Stanceflex

Dio	Br. dijela
25° ružičasta (mekana)	231608
35° bijela	231606
45° narančasta (ugrađuje se standardno)	231607
70° plava (tvrda)	231609

Odgovornost

Proizvođač preporučuje uporabu proizvoda u skladu s navedenim uvjetima i za predviđene namjene. Proizvod mora biti održavan u skladu s uputama za uporabu isporučenim uz proizvod. Proizvođač nije odgovoran ni za kakve neželjene ishode uzrokovane kombiniranjem komponenti koje nije odobrio.

CE sukladnost

Ovaj proizvod ispunjava zahtjeve Uredbe (EU) 2017/745 o medicinskim proizvodima. Ovaj proizvod razvrstan je kao proizvod klase rizika I prema kriterijima razvrstavanja navedenima u Dodatku VIII. Uredbe. Certifikat EU Izjava o sukladnosti dostupan je na sljedećoj internetskoj stranici: www.blatchford.co.uk



Medicinski proizvod



Jedan korisnik - višestruka uporaba

Kompatibilnost

Kombiniranje s proizvodima marke Blatchford odobrava se na temelju ispitivanja u skladu s primjenjivim normama i Uredbom o medicinskim proizvodima (MDR) uključujući ispitivanje strukture, usklađenost dimenzija i nadziranu radnu učinkovitost.

Kombiniranje s alternativnim proizvodima s oznakom CE mora se provesti uz dokumentiranu lokalnu procjenu rizika od strane zdravstvenog djelatnika.

Jamstvo

Na ovaj proizvod daje se jamstvo od 24 mjeseca, na trakastu kočnicu 12 mjeseci.

Korisnik mora biti svjestan da promjene ili preinake koje nisu izričito dopuštene mogu poništiti jamstvo, odobrenja za rad i izuzeća.

Pogledajte internetsku stranicu tvrtke Blatchford za uvid u cjelovitu važeću izjavu o jamstvu.

Prijavlivanje ozbiljnih neželjenih događaja

U malo vjerojatnom slučaju pojave ozbiljnog neželjenog događaja vezanog uz ovaj proizvod, potrebno je isti prijaviti proizvođaču i nadležnom državnom tijelu.

Ekološki aspekti

Ovaj proizvod sadrži hidraulično ulje, mješavinu metala i plastike. Gdje je izvedivo, komponente je potrebno reciklirati u skladu s lokalnim propisima o zbrinjavanju otpada.

Čuvanje oznake pakiranja

Zdravstveni djelatnik treba sačuvati oznaku pakiranja kao evidenciju isporučenog proizvoda.

Adresa sjedišta proizvođača

Blatchford Products Limited, Lister Road, Basingstoke RG22 4AH, UK.

Izjave o žigu

Blatchford je registrirani žig tvrtke Blatchford Products Limited.

Obsah	74
1 Opis a zamýšľaný účel.....	75
2 Informácie o bezpečnosti.....	77
3 Konštrukcia	78
4 Funkcia.....	79
5 Údržba	79
6 Obmedzenie používania	80
7 Zarovnanie osadenia.....	81
8 Rady pri zarovnávaní a nastavenie stability.....	82
9 Odporúčania pri osádzaní.....	83
9.1 Výmena gumeny Stanceflex.....	83
9.2 Nastavenie prednej zarážky – nastavovací čap.....	84
9.3 Ďalšie nastavenia.....	85
10 Návod na montáž.....	86
10.1 Výmena tlmiaceho prvku prednej zarážky	86
10.2 Výmena píšťalových zarážok.....	86
10.3 Vyberanie mechanizmu ESK+.....	87
10.4 Výmena mechanizmu ESK+	88
11 Technické údaje	89
12 Informácie pri objednávaní	90

1 Opis a zamýšľaný účel

Návod na použitie je určený odborníkovi a používateľovi, ak nie je uvedené inak.

V návode sa používa termín pomôcka a odkazuje na produkty Stanceflex ESK+.

Pozorne si prečítajte celý návod na použitie, predovšetkým všetky informácie o bezpečnosti, a návod na údržbu.

Použitie

Pomôcka sa smie používať výhradne ako súčasť protézy dolnej končatiny.

Pomôcka je určená jednému používateľovi.

Pomôcka je jednoosovým zaťažením aktivované stabilizované koleno so zabudovaným prvkom na ohyb v stoj. Má zvýšiť bezpečnosť a znížiť kompenzáciu.

Na píštalú možno osadiť PSPC (pneumatický ovládací prvok fázy švih), SmartIP (inteligentnú protézu) na ovládanie fázy švih, alebo sa dodáva bez valca.

Gumený prvok v zadnej časti rámu kolena sa stará o extra ohyb v stoj.

Vlastnosti

	Ručne nastavené PSPC	SmartIP s mikroprocesorovým ovládaním
Ohyb v stoj počas zaťaženia	✓	✓
Pevný rám z uhlíkového vlákna	✓	✓
Ohyb kolena v 140° uhle	✓	✓
Nastaviteľná citlivosť stability kolena	✓	✓
Nezávislé ručne nastavované ovládanie švih pri ohnutí a vystretí	✓	
Mikroprocesorom ovládaný švih pri ohnutí a ručne nastavované tlmenie koncového dopadu pri vystretí		✓

Úroveň aktivity

Pomôcka sa odporúča používateľom s úrovňami aktivity 2, 3 a 4 (platia hmotnostné obmedzenia, pozri *Technické údaje*).

Pomôcka nemusí byť vhodná pre používateľov s úrovňou aktivity 1 ani pri súťažných športových podujatiach. Týmto typom používateľov by mohla lepšie poslúžiť špeciálne navrhnutá protéza upravená podľa ich potrieb.

Úroveň aktivity 1

Má schopnosť alebo potenciál používať protézu na presun alebo chôdzu na rovnom povrchu pri fixnej kadencii. Typická pre chodca s obmedzením alebo bez obmedzenia.

Úroveň aktivity 2

Má schopnosť alebo potenciál chôdže so schopnosťou prechádzať cez nízke prekážky v okolitom prostredí, ako sú obrubníky, schody alebo nerovný povrch. Typická pre komunitného chodca s obmedzením.

Úroveň aktivity 3

Má schopnosť a potenciál chôdže s rozličnou kadenciou. Typická pre komunitného chodca so schopnosťou prechádzať cez väčšinu prekážok v okolitom prostredí, ktorý môže vykonávať pracovnú, terapeutickú alebo cvičebnú aktivitu vyžadujúci si používanie protézy mimo jednoduchého pohybu.

Úroveň aktivity 4

Má schopnosť alebo potenciál protetickej chôdže, ktorá prekračuje základné ambulantné zručnosti, má veľkú mieru dopadu, tlaku alebo energie. Typická pre protetické nároky detí, aktívnych dospelých alebo atlétov.

Klinické výhody

- Zatažením aktivované ovládanie stoja a nastaviteľné ovládanie švihú sa stará o hladkú a bezpečnú chôdzu s voľným kolenom.
- Stanceflex lepšie tlmí nárazy.
- Mikroprocesorom ovládaný švih sa stará o optimalizované vlastnosti kroku pri rozličných rýchlostiach chôdže. (Len SmartIP.)

Kontraindikácie

Pomôcka nie je vhodná pre:

- používateľov, ktorí trpia extrémnou svalovou slabosťou, skrátzeniami, ktoré sa nedajú správne upraviť alebo proprioceptívnu dysfunkciu vrátane slabej rovnováhy;
- používateľov s nestabilitou alebo patológiou kontralaterálneho kĺbu;
- používateľov s komplikovanými ochoreniami s viacerými postihnutiami.
- aj obojstrannou transfemorálnou amputáciou a pri chôdzi dolu schodmi alebo sadaní potrebujú, aby sa koleno podvolilo. Mohlo by to poškodiť brzdivý mechanizmus a mať negatívny vplyv na stabilitu a odolnosť.



Pred použitím pomôcky musí používateľ absolvovať tréning chôdže.





Overte, či používateľ rozumie všetkým častiam návodu na použitie, predovšetkým časti o údržbe a častiam s informáciami o bezpečnosti.


2 Informácie o bezpečnosti


 Tento výstražný symbol upozorňuje na dôležité informácie o bezpečnosti.


 Dávajte pozor na riziko zachytenia prstov.


 Všetky zmeny vo vlastnostiach alebo fungovaní končatiny, napr. nestabilita, dvojitý či obmedzený pohyb, drhnutie pri pohybe alebo nezvyčajné zvuky, treba ihneď nahlásiť servisnému pracovníkovi.


 Pri kráčaní dolu schodmi a vždy, keď je k dispozícii, sa držte zábradlia.


 Nadmerné zmeny vo výške päty po zarovnaní môžu mať nežiaduci dopad na fungovanie končatiny.


 Pri šoférovaní dbajte na to, aby sa používali len vhodne upravené vozidlá. Pri riadení motorového vozidla sa od každého očakáva dodržiavanie príslušných zákonov o cestnej premávke.

 Pri nosení ťažkých nákladov si potrebné dávať pozor, mohli by mať nežiaduci dopad na stabilitu pomôcky.

 Používateľa treba upozorniť, že v prípade zmeny zdravotného stavu sa má obrátiť odborníka.

 Vyhnite sa vystavovaniu extrémnemu teplu a/alebo chladu.

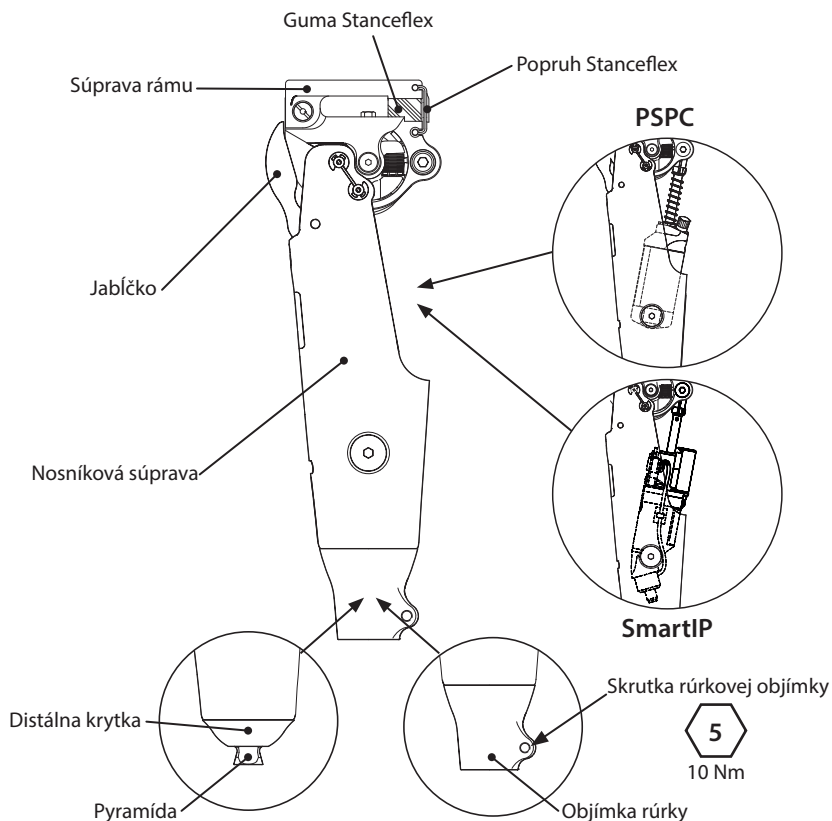
 Skladanie, údržbu a opravu pomôcky sme vykonávať len primerane kvalifikovaný klinický pracovník.

 Pomôcka nie vhodná na ponáranie do vody ani ako protéza do sprchy. Ak sa končatina dostane do kontaktu s vodou, ihneď ju vysušte.

3 Konštrukcia

Hlavné diely

- Nosníková súprava Kompozit uhlíkových vlákien a nehrdzavejúcej ocele
- Súprava rámu Hliníková zliatina, nehrdzavejúca oceľ, technický termoplast, trecí materiál so zosilnenými vláknami (bez azbestu).
- Distálna krytka Hliník. zliatina
- Distálna pyramída Titán s maticou z nehrdz. ocele
- Distálna objímka rúrky Hliníková zliatina
- Jabĺčko Technický termoplast
- Guma Stanceflex Prírodná guma
- Popruh Stanceflex Kevlar
- PSPC Hliníková zliatina, nehrdzavejúca oceľ, titán, technický termoplast
- Valec ovládania SmartIP Hliníková zliatina, nehrdzavejúca oceľ, titán, technický termoplast
Elektronické komponenty, batérie



4 Funkcia

Koleno má jednoosové prevedenie, ktoré tvorí kolenný čap spájajúci rám s nosníkom. Zatažením aktivovaný stabilizačný mechanizmus kolena sa nachádza vnútri rámu. Rám kolena je čapom pripojený k vrchnej platničke, ktorú pružne podopiera gumený blok. Pri zaťažení umožňuje ohyb v stoji a pri dopade tlmí nárazy.

V rámovej súprave je osadený valec ovládania kolena. Nachádza sa medzi zadným čapom rámu a predným čapom nosníka.

Valec PSPC má ručne nastavované ventily, ktoré počas fázy švihy nezávislo ovládajú odpor pri vystretí a ohnutí.

Valec ovládania SmartIP používa na monitorovanie rýchlosti chôdze a vhodné automatické nastavenie odporu pri ohnutí snímače vnútri valca. Vystretie sa ovláda cez fixné nastavenie tlmenia záverečného dopadu.

5 Údržba

Pomôcku pravidelne kontrolujte zrakom.

Všetky zmeny vo vlastnostiach pomôcky nahláste technikovi/servisnému pracovníkovi, napr. nezvyčajné zvuky, zvýšenú tuhosť alebo obmedzenú/nadmernú rotáciu, značné opotrebovanie alebo nadmerné blednutie v dôsledku dlhému vystavovaniu UV žiareniu.

Informujte odborníka/servisného pracovníka o zmene v telesnej hmotnosti a/alebo úrovni aktivity.

Čistenie

Vonkajší povrch utrite handričkou navlhčenou vo vode s jemným čistiacim prostriedkom. NEPOUŽÍVAJTE agresívne čistiace prostriedky.

Zvyšné pokyny v tejto časti sú len pre odborníka.

Údržbu smie zabezpečovať len kompetentný personál (odborník alebo vhodne zaškolený technik).

Na zachovanie optimálneho fungovania sa odporúča pravidelná kontrola nevhodných zvukov, vôle a stability. Obdobie medzi kontrolami závisí od faktorov ako je aktivita používateľa, frekvencia používania a nastavenie stability kolena.

Pomôcka: ak je nastavených 6 alebo viac cvaknutí a používateľ za rok prejde v priemere 600 000 krokov, odporúča sa kontrola raz ročne.

Ak je nastavenie stability menej ako 6 cvaknutí a/alebo je priemer prejdenej krokov používateľa nižšie ako priemerný, obdobie medzi kontrolami sa môže predĺžiť.

Pri stanovovaní počtu krokov sa odporúča používanie monitora aktivity končatiny.

Na zaistenie optimálnej stability a odolnosti odporúčame upraviť koleno podľa požiadaviek na stabilitu konkrétneho používateľa. Pozri sprievodcu/nákres nastavenia.

Pri kontrolách:

- Overte, či na pomôcke nie sú viditeľné poškodenia, ktoré by mohli ovplyvniť jej riadne fungovanie.
- Skontrolujte M-L vôľu rámu a nadmerné stláčanie gumy Stanceflex. Ak treba, vymeňte ložiská a gumu Stanceflex.
- Skontrolujte prednú zarážku a v prípade potreby ju vymeňte.
- Skontrolujte píšťalové zarážky a v prípade potreby ich vymeňte.
- Rozoberte, vyčistite a znovu zložte mechanizmus kolena.

Informujte používateľa, že sa odporúča pravidelná kontrola pomôcky zrakom a všetky zmeny v jej vlastnostiach treba nahlásiť odborníkovi. Medzi zmeny vo vlastnostiach patrí: nárast alebo pokles tuhosti kolena, nestabilita, znížená opora kolena (voľný pohyb) a nezvyčajné zvuky.

Ak sa pomôcka používa pri extrémnych aktivitách, úroveň a interval údržby treba prehodnotiť a v prípade potreby má poradné a technické oddelenie naplánovať nový harmonogram údržby v závislosti od frekvencie a povahy činnosti. Na základe posúdenia lokálneho rizika by to mala stanoviť primerane kvalifikovaná osoba.

Skladovanie a manipulácia

Pri dlhodobom skladovaní by ste mali pomôcku odložiť na suché miesto s teplotou od -15 °C do 50 °C.

Použite priložený obal produktu.

6 Obmedzenie používania

Zamýšľaná životnosť:

Na základe aktivity a používania treba posúdiť lokálne riziko.

Zdvíhanie bremien

Hmotnosť a aktivita používateľa sa riadi stanovenými limitmi.

Nosenie bremien používateľom by malo vychádzať z posúdenia lokálnych rizík.

Prostredie:

Pomôcku nevystavujte korozívnym vplyvom ako je voda, kyseliny ani iné kvapaliny. Vyhýbajte sa aj abrazívnemu prostrediu, napríklad prostrediu s obsahom piesku, mohlo by urýchliť predčasné opotrebovanie.

Používajte výhradne pri teplotách od -15 °C do 50 °C.



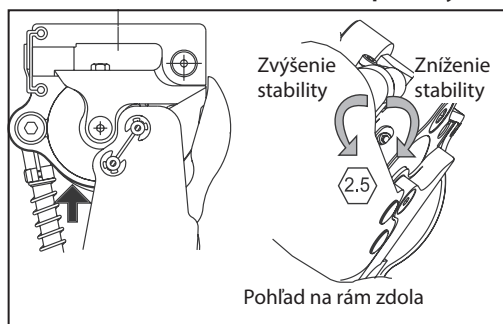
Možno používať v exteriéri

7 Zarovnanie osadenia

Pokyny v tejto časti sú len pre odborníkov.

Skúšky chôdze

Mechanizmus na nastavenie pružiny



K nastavovaciemu mechanizmu sa dostanete po úplnom vystretí končatiny.

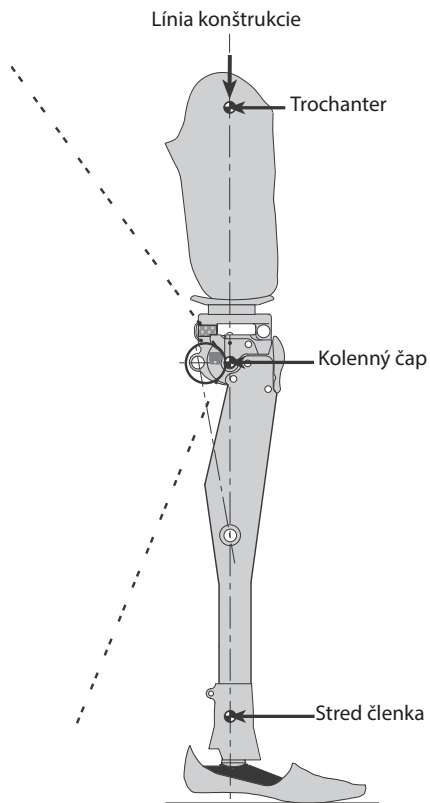
Na dosiahnutie stability požadovanej konkrétnou osobou po amputácii otočte **MECHANIZMOM NA NASTAVOVANIE PRUŽINY**.

Poznámka... Pri nastavovaní by malo byť počuť cvakanie a mechanizmus sa zamkne sám.

Na zníženie stability **PRUŽINU** dotiahnite.

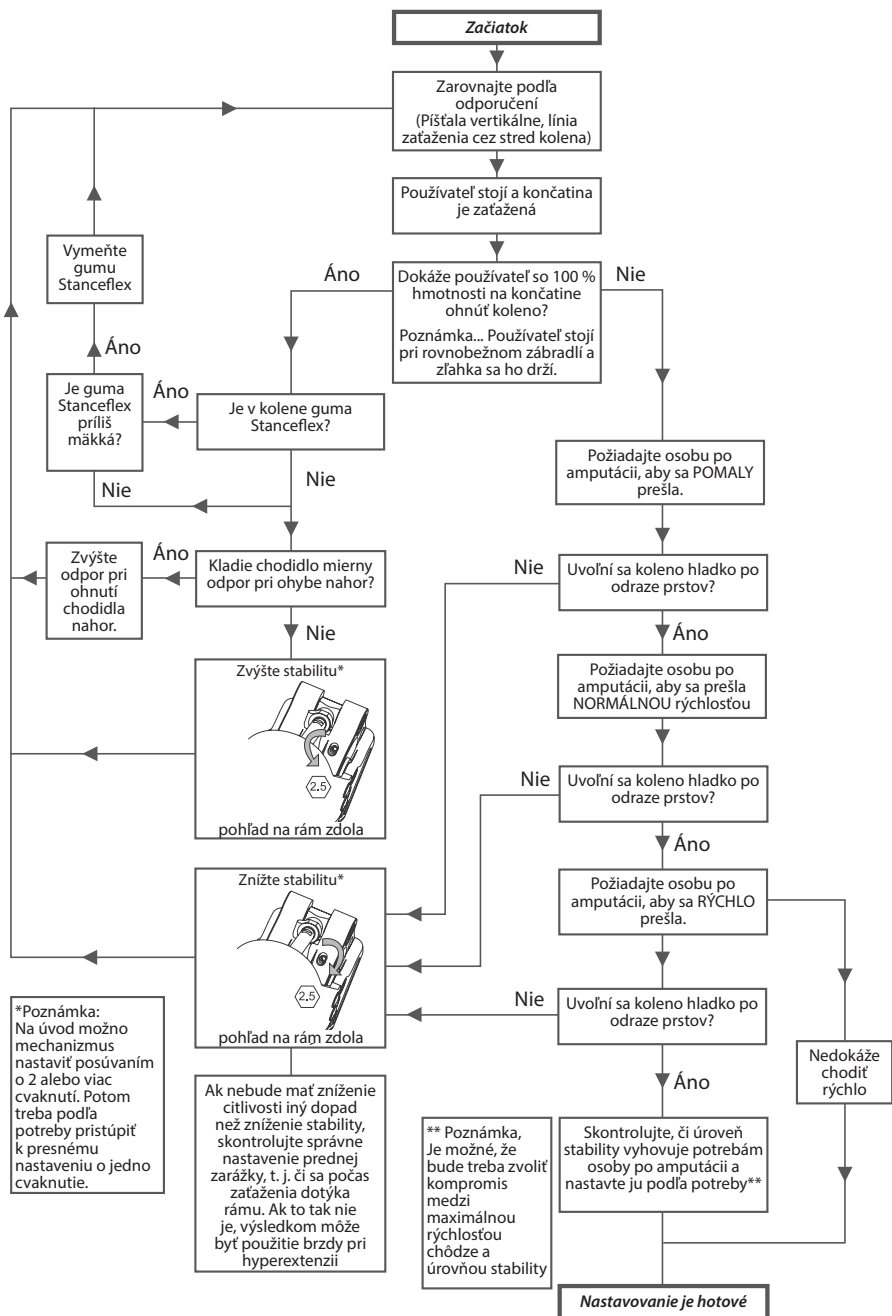
Na zníženie stability **PRUŽINU** uvoľnite – pozri vyššie.

Ak treba, mechanizmus sa dá znovu nastaviť na výrobné nastavenia. Dosiahnete to znížením stability o šesť cvaknutí z nastavenia maximálnej stability.



8 Rady pri zarovnávaní a nastavenie stability

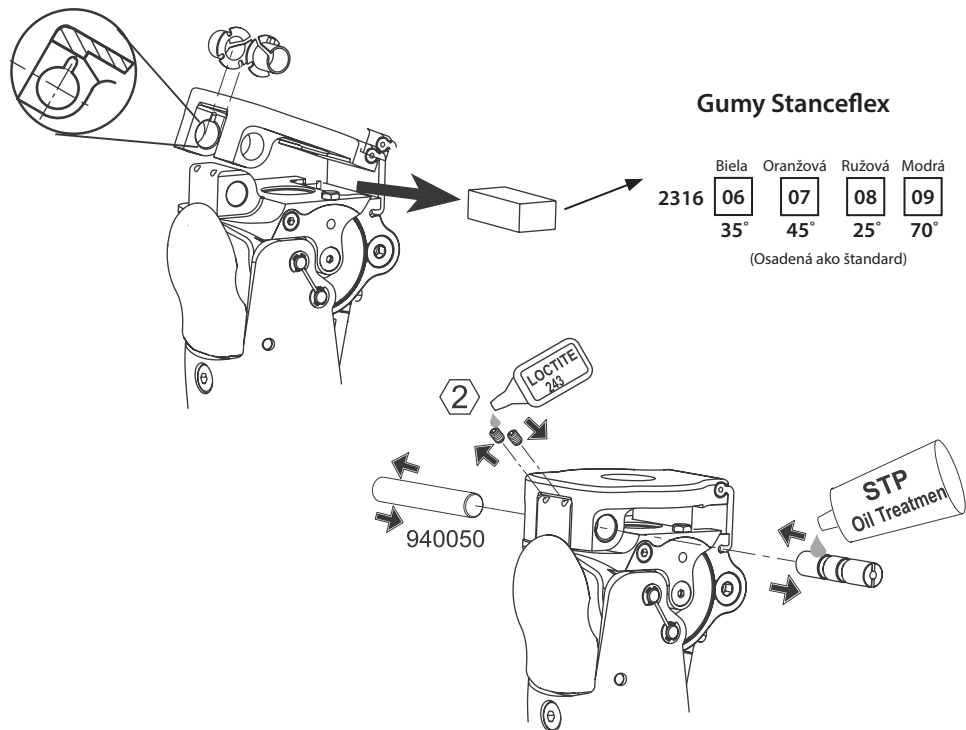
Pokyny v tejto časti sú len pre odborníkov.



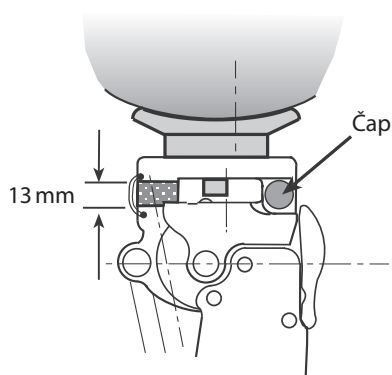
9 Odporúčania pri osádzaní

Pokyny v tejto časti sú len pre odborníkov.

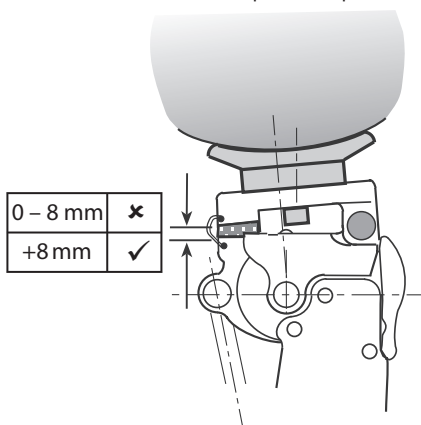
9.1 Výmena gummy Stanceflex



Statické



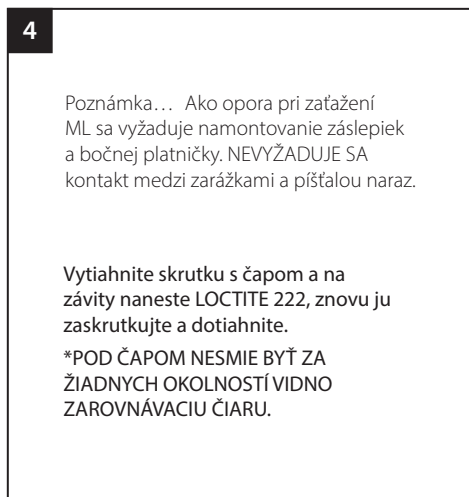
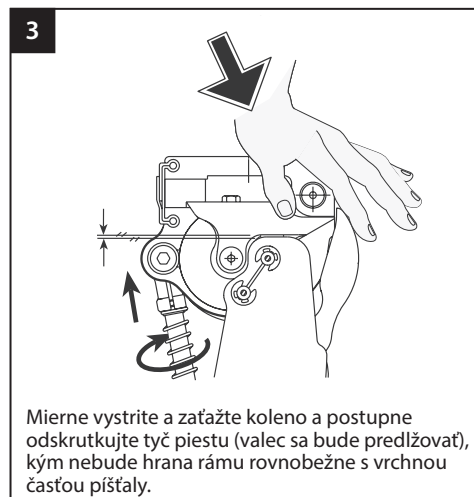
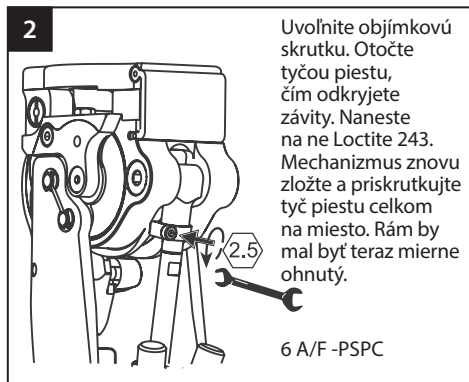
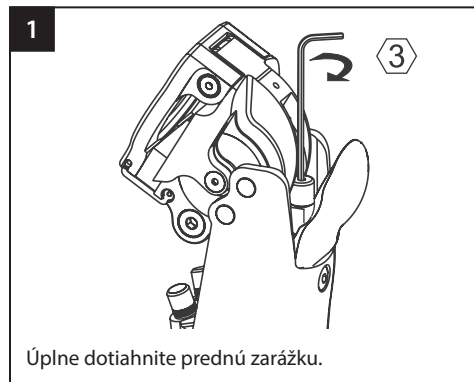
Ohnutie kolena po dopade na pätu



9.2 Nastavenie prednej zarážky – nastavovací čap

Pokyny v tejto časti sú len pre odborníkov.

Osadený do PSPC



Nastavenie prednej zarážky – inteligentná protéza bez nastavovania

(Osadená v starších modeloch SmartIP.)

Pri používaní týchto valcov netreba žiadne nastavovanie. Vyžaduje sa úplné dotiahnutie predných zarážok ako vidno v stupni 1.

9.3 Ďalšie nastavenia

Pokyny v tejto časti sú len pre odborníkov.

Príznak	Riešenie
Kolená sa nestabilizujú	Zvýšte citlivosť
	Posuňte lôžko dopredu
	Ak je poškodená hrana brzdy s drážkou, vymeňte stabilizačný mechanizmus
	Skontrolujte gumu Stanceflex a ak treba, vymeňte ju (Pozrite si minimálnu hrúbku pri stlačení v časti <i>Ohnutie kolena po dopade na päť</i>).
Kolená sa neuvolní	Znížte citlivosť
	Skontrolujte správnosť nastavenia dĺžky piestovej tyče
	Posuňte lôžko dozadu
Počas švihy sa päta zdvíha príliš vysoko	Pozrite si návod ovládacieho valca
Počas švihy sa päta zdvíha príliš nízko	Pozrite si návod ovládacieho valca
Používateľ registruje záverečný dopad	Pozrite si návod ovládacieho valca
Pomôcka sa počas švihy úplne nevystrie	Pozrite si návod ovládacieho valca

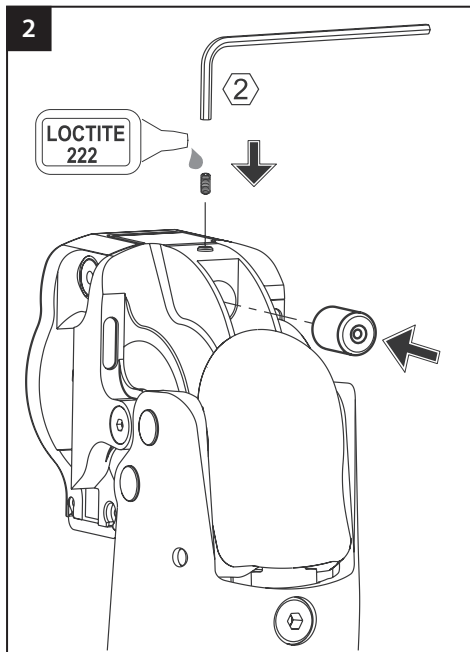
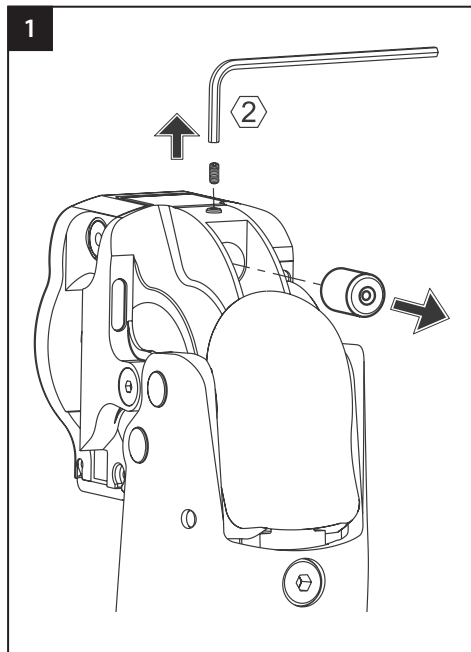
Ak budete mať aj po dodržaní týchto pokynov problémy s fungovaním, požiadajte o radu servisný tím v svojej oblasti.

10 Návod na montáž

Pokyny v tejto časti sú len pre odborníkov.

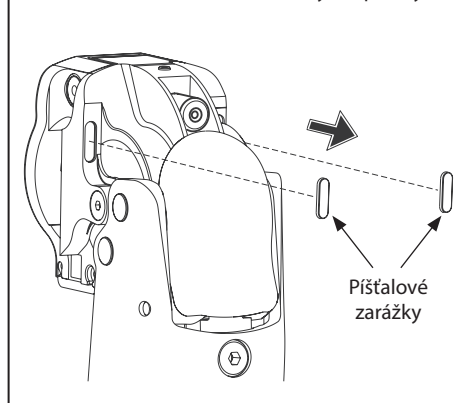
10.1 Výmena tlmiaceho prvku prednej zarážky

Pri osádaní novej prednej zarážky vždy znovu nastavte a v prípade potreby skontrolujte dĺžku valca, ak má nastaviteľný čap. (Pozri predchádzajúcu stranu.)

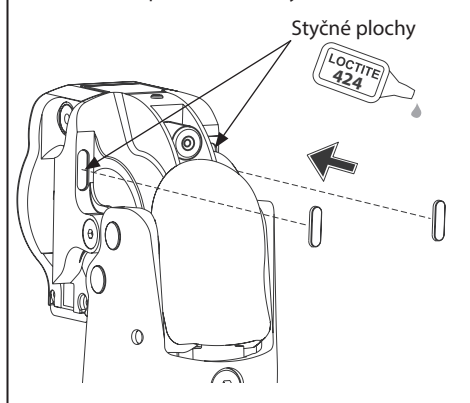


10.2 Výmena píšťalových zarážok

1 Vyberte píšťalové zarážky a zvyšky lepidla. Očistite a mierne zdrsnite styčné plochy.

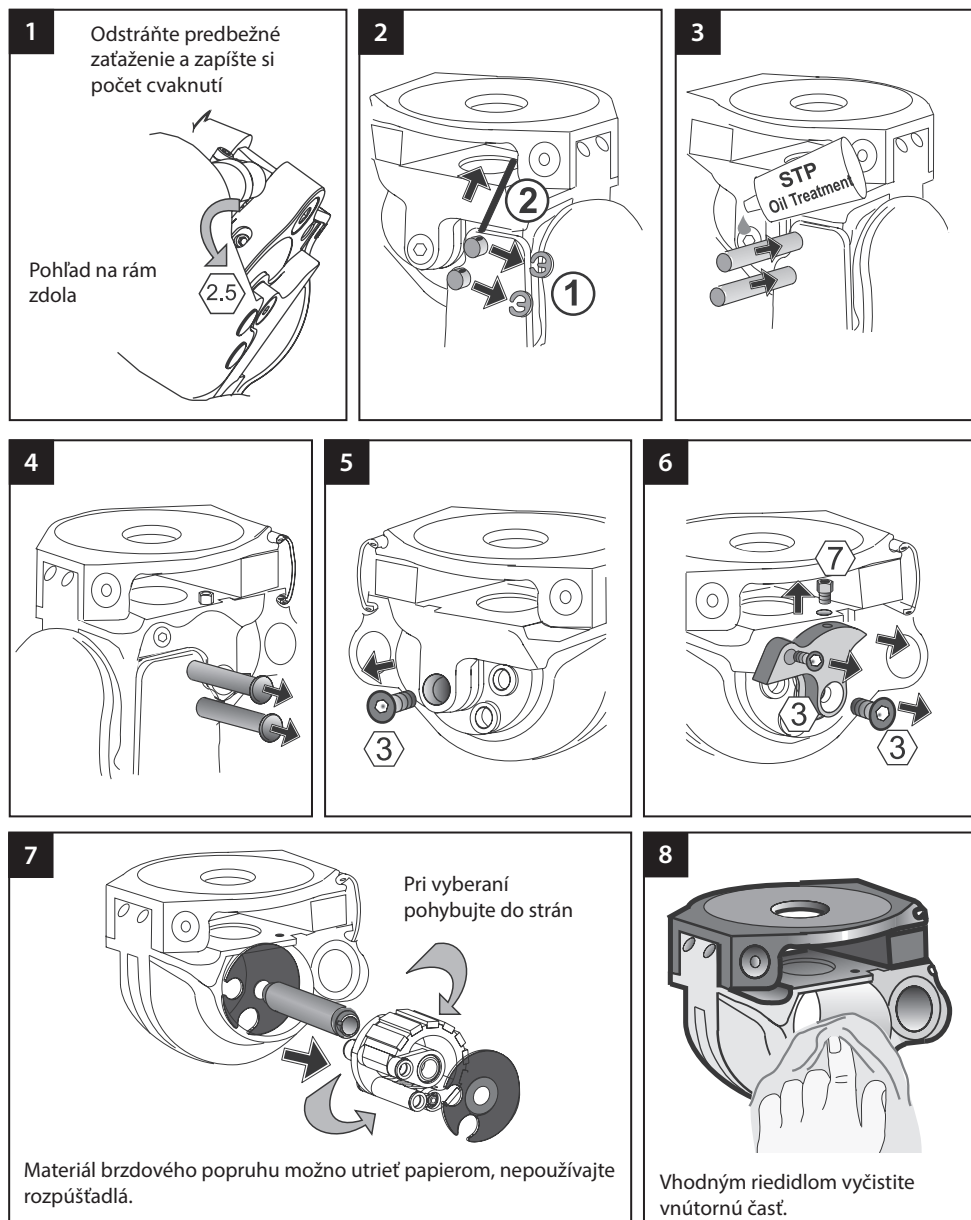


2 Na styčné plochy naneste Loctite 424. Zatlačte píšťalové zarážky na miesto.



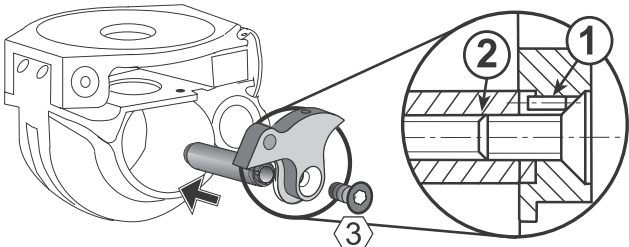
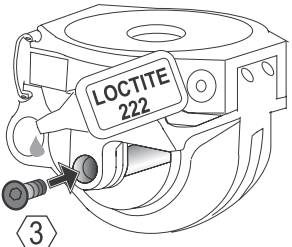
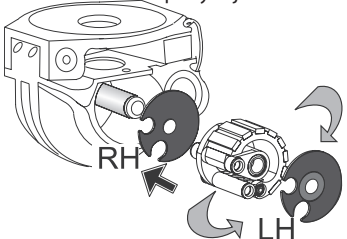
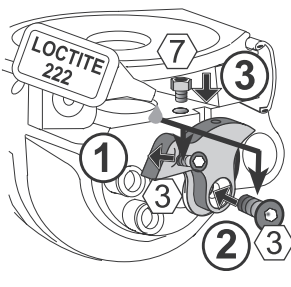
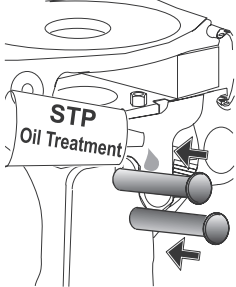
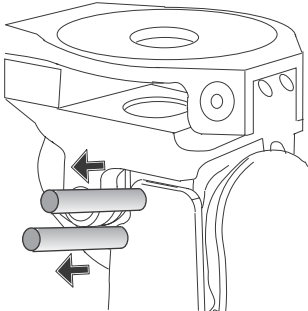
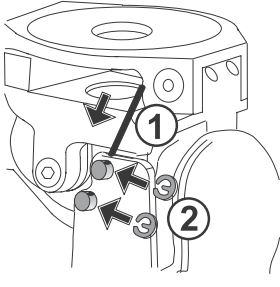
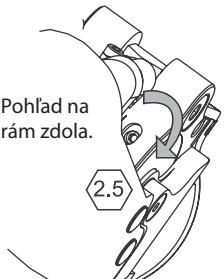
10.3 Vyberanie mechanizmu ESK+

Pokyny v tejto časti sú len pre odborníkov.



10.4 Výmena mechanizmu ESK+

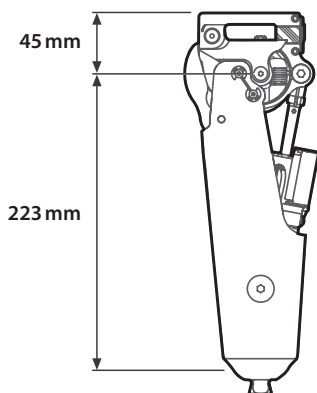
Pokyny v tejto časti sú len pre odborníkov.

<p>1</p>  <p>Otočte bočnú platničku a zarovnajete štrbinu na vretene (2) so spojovacím kolíkom (1), no v tomto štádiu ho neosádzajte.</p>	<p>2</p>  <p>Namontujte vreteno do rámu.</p>	
<p>3</p> <p>Pri skladaní pohybujte do strán</p>  <p>OTOČENIE JE DÔLEŽITÉ! Zložte ploché strany tak, aby nápis (RH, LH) smeroval dovnútra.</p>	<p>4</p>  <p>7</p> <p>3</p> <p>1</p> <p>3</p> <p>2</p> <p>3</p>	<p>5</p>  <p>STP Oil Treatment</p>
<p>6</p> 	<p>7</p>  <p>1</p> <p>3</p> <p>3</p> <p>2</p>	<p>8</p> <p>Znovu predbežne zatažte a zapíšte si počet cvaknutí.</p> <p>Pohľad na rám zdoľa.</p>  <p>2.5</p>

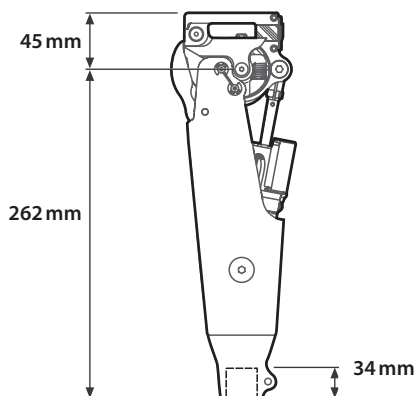
11 Technické údaje

Rozsah prevádzkovej a skladovacej teploty:	-15 °C až 50 °C
Hmotnosť dielov:	
SmartIP	1,27 kg
PSPC	1,13 kg
Úroveň aktivity	2 – 3 (4)
Maximálna hmotnosť používateľa:	
Úroveň aktivity 2 – 3	125 kg
Úroveň aktivity 4	100 kg
Maximálny uhol ohybu:	140°
Diel na proximálne zarovnanie:	Jednoskrutkové (Blatchford)
Diel na distálne zarovnanie:	Objímka na rúrku s priemerom 30 mm alebo samčia pyramída (Blatchford)
Výška konštrukcie:	Pozri nákresy nižšie.

Dĺžka osadenia



ESK+ Stanceflex s distálnou pyramídou



ESK+ Stanceflex s distálnou objímkou na rúrku s priemerom 30 mm

12 Informácie pri objednávaní

Príklad objednávky

	ESK+ so Stanceflexom							
	Distálna objímka na rúrku s priemerom 30 mm				Distálna pyramída			
Pneumatický valec	ESK	SF	P	30	ESK	SF	P	PYR
	ESK+	Stanceflex	PSPC	Distálna objímka na rúrku 30 mm	ESK+	Stanceflex	PSPC	Distálna pyramída
Koleno SmartIP	SMARTIP	SF	30	SMARTIP	SF	PYR		
	Koleno SmartIP	Stanceflex	Distálna objímka na rúrku 30 mm	Koleno SmartIP	Stanceflex	Distálna pyramída		
Bez ovládacieho valca	ESK	SF	30	ESK	SF	PYR		
	ESK+	Stanceflex	Distálna objímka na rúrku 30 mm	ESK+	Stanceflex	Distálna pyramída		

Náhradné diely

Položka	Č. dielu
Súprava kolena Stanceflex	239149
Zarovňavací kolík mechanizmu ESK	234914
Podložka prednej zarážky	234903
Súprava stabilizačného mechanizmu ESK+	239949
Píšťalová zarážka	233810

Guma Stanceflex

Položka	Č. dielu
25° ružová (mäkká)	231608
35° biela	231606
45° oranžová (osadená ako štandard)	231607
70° modrá (tvrdá)	231609

Ručenie

Výrobca odporúča používať pomôcku výhradne podľa špecifikovaných podmienok a na to, na čo je určená. Pomôcka sa musí udržiavať podľa priloženého návodu na použitie. Výrobca nezodpovedá za nežiaduci výsledok spôsobený kombináciou ním neschválených komponentov.

Súlad s CE

Tento produkt spĺňa požiadavky nariadenia EÚ 2017/745 o zdravotníckych pomôckach. Produkt je klasifikovaný ako produkt triedy I podľa klasifikačných pravidiel v Dodatku VIII nariadenia. Certifikát o vyhlásení o zhode CE je k dispozícii na nasledujúcej internetovej adrese: www.blatchford.co.uk



Zdravotnícka pomôcka



Jeden pacient – viacnásobné použitie

Kompatibilitnosť

Kombinovanie s produktmi značky Blatchford je schválené na základe testovania v súlade s príslušnými normami a MDR vrátane štruktúrálnej skúšky, rozmerovej kompatibility a vlastností v monitorovanej oblasti.

Kombinovanie s alternatívnymi produktmi so značkou CE treba vykonávať s ohľadom na zdokumentované posúdenie lokálnych rizík odborníkom.

Záruka

Na pomôcku sa vzťahuje 24-mesačná záruka, na brzdový popruh 12-mesačná.

Používateľ by mal vedieť, že zmeny alebo úpravy bez jeho výhradného súhlasu by mohli ukončiť platnosť záruky, prevádzkových licencií a výnimiek.

Celé vyhlásenie o záruke nájdete na webovej stránke spoločnosti Blatchford.

Nahlasovanie závažných incidentov

V nepravdepodobnom prípade závažného incidentu v súvislosti s pomôckou ho treba nahlásiť výrobcovi a kompetentnému štátnemu úradu.

Environmentálne aspekty

Produkt obsahuje hydraulickú kvapalinu, zmes kovov a plasty. Tam, kde je to možné, by sa jednotlivé diely mali recyklovať v súlade s miestnymi nariadeniami o nakladaní s odpadom.

Odloženie štítka na balení

Odborníkovi odporúčame odložiť si štítky z balenia ako záznam o dodanej pomôčke.

Sídlo výrobcu

Blatchford Products Limited, Lister Road, Basingstoke RG22 4AH, Spojené kráľovstvo.

Potvrdenie o obchodnej známke

Blatchford je registrovaná obchodná známka spoločnosti Blatchford Products Limited.

Tartalom.....	92
1 Leírás és tervezett felhasználás	93
2 Biztonsági információk.....	95
3 Felépítés	96
4 Működés.....	97
5 Karbantartás.....	97
6 A használatot érintő korlátozások.....	98
7 Szintillesztés.....	99
8 Az igazításra vonatkozó tanácsok és stabilitási módosítás	100
9 Az illesztésre vonatkozó tanácsok.....	101
9.1 A Stanceflex gumi cseréje.....	101
9.2 Az elülső ütköző beállítása – állítható forgócsap	102
9.3 További beállítások.....	103
10 Összeszerelési instrukciók.....	104
10.1 Az elülső ütköző cseréje	104
10.2 A lábszárütközők cseréje	104
10.3 Az ESK+ mechanizmus eltávolítása	105
10.4 Az ESK+ mechanizmus cseréje.....	106
11 Műszaki adatok	107
12 Rendelési információk.....	108

1 Leírás és tervezett felhasználás

Ez a Használati útmutató az orvos és a felhasználó használatára szolgál, kivéve, ha máshogy jelezzük.

A jelen Használati útmutatóban az eszköz kifejezés a Stanceflex ESK+ termékekre utal.

Kérjük, olvassa el, és győződjön meg arról, hogy megértette a teljes használati útmutatót, különösen az összes biztonsági információt és karbantartási utasítást.

Alkalmazás

Ez az eszköz kizárólag alsó végtagprotézis részeként alkalmazható.

Az eszköz egy felhasználó számára készült.

Az eszköz egytengelyes, testsúly által aktivált stabilizált térdprotézis, beépített támaszflexiós elemmel. A biztonság javítására és a kompenzáció csökkentésére szolgál.

A lábszár PSPC-vel (Pneumatic Swing Phase Control, pneumatikus lengőfázis-vezérlés) vagy SmartIP (okos intelligens protézis) lengőfázis-vezérléssel szerelhető, illetve kapható henger nélkül is.

A térdváz hátulján található gumielem további támaszflexiót biztosít.

Jellemzők

	Manuálisan állítható PSPC	Mikroprocesszor által vezérelt SmartIP
Támaszflexió testsúlyviseléskor	✓	✓
Kemény karbonszál keret	✓	✓
140 fokos térdhajlítás	✓	✓
A térd stabilitásának állítható érzékenysége	✓	✓
Függetlenül, manuálisan állítható lengésvezérlők flexióhoz és extenzióhoz	✓	
Mikroprocesszor által vezérelt lengésvezérlés flexióban, a terminális erőhatás manuálisan állítható tompításával extenzióban		✓

Aktivítási szint

Ez az eszköz megfelel a 2., 3. és 4. aktivitási szintnek (testsúlykorlátozás érvényes, lásd Műszaki adatok).

Előfordulhat, hogy ez az eszköz nem alkalmas 1. aktivitási szintű felhasználók számára, vagy versenysportolásra történő használatra. Ezeket a felhasználókat jobban szolgálhatja olyan, speciálisan kialakított protézis, amely az ő szükségleteikre van optimalizálva.

1. aktivitási szint

Képesség vagy lehetőség a protézis alkalmazására sík felületeken állandó ütemben való átkelésre vagy járásra. Jellemző a korlátozott vagy korlátlan otthon végzett járásra.

2. aktivitási szint

Képesség vagy lehetőség járásra, alacsony magasságú környezeti akadályokon, például útpadkán, lépcsőn vagy egyenetlen felületeken való áthaladásra. Jellemző az otthonát elhagyni képes felhasználóra.

3. aktivitási szint

Képesség vagy lehetőség változó ütemű járásra. Jellemző a közösségben mozgó felhasználóra, aki képes áthaladni a legtöbb környezeti akadályon, és olyan foglalkozásbeli, terápiás vagy sporttevékenységet űz, amely a protézis egyszerű helyváltoztatáson túli igénybevételével jár.

4. aktivitási szint

Képesség vagy lehetőség protézissel végzett olyan járásra, amely túllép az alapvető járási képességeken, erős behatást, nagy terhelést vagy energiaszintet mutat. A gyermekek, az aktív felnőttek vagy a sportolók protetikusan igényeire jellemző.

Klinikai előnyök

- A testsúly által aktivált támaszvezérlés és az állítható lengésvezérlés sima, biztonságos járást biztosít szabad térrdel.
- A Stanceflex javítja az erőhatások elnyelését.
- A mikroprocesszoros lengésvezérlés optimalizált járási karakterisztikát tesz lehetővé különböző járássebességeknél. (Csak SmartIP).

Ellenjavallatok

Ez az eszköz nem alkalmas a következő állapotokkal élő felhasználóknak:

- Extrém izomgyengeség, olyan kontraktúrák, amelyek nem állíthatók helyre megfelelően, vagy proprioceptív diszfunkció, többek közt rossz egyensúly.
- A kontralaterális ízület instabilitása vagy patológiája.
- Komplikált kórállapot, amely többszörös rokkantsággal jár.
- Olyan felhasználók – többek közt kétoldali transfemorális amputáltak –, akiknek szüksége van a térd hajlás- (yielding) funkciójára ahhoz, hogy lépcsőn le tudjanak menni vagy le tudjanak ülni. Ez a fékmechanizmus sérüléséhez vezethet, ami hátrányosan befolyásolhatja a stabilitást és a tartósságot.



A felhasználónak járástanításban kell részesülnie az eszköz használata előtt.



Győződjön meg arról, hogy a felhasználó megértette a teljes használati útmutatót, különösen felhívjuk figyelmét a karbantartási és biztonsági információt tartalmazó valamennyi részre.

2 Biztonsági információk



Ez a figyelmeztető szimbólum a fontos biztonsági tudnivalókra hívja fel a figyelmet.



Mindig ügyeljen az ujj becsípődésének veszélyére.



A végtag teljesítményében vagy működésében jelentkező bármilyen változást, például instabilitást, kettős működést, korlátozott mozgást, nem sima mozgást vagy szokatlan zajt haladéktalanul jelenteni kell a szolgáltatónak.



Lépcsőn lefelé menet és bármikor, amikor rendelkezésre áll, használjon korlátot.



A sarokmagasság bármilyen túlzott mértékű változása az illesztés véglegesítése után hátrányosan befolyásolhatja a végtag működését.



Ügyeljen arra, hogy vezetéskor csak megfelelően átalakított járművet használjon. Gépjárművek működtetése során minden személynek be kell tartania a vonatkozó vezetési jogszabályokat.



Nehéz terhek szállításakor óvatosság szükséges, mert ez hátrányosan befolyásolhatja az eszköz stabilitását.



Javasoljuk, hogy a felhasználó forduljon az orvoshoz, ha állapota változik.



Ne tegye ki szélsőséges melegnek és/vagy hidegnek.



Az eszköz összeszerelését, karbantartását és javítását kizárólag megfelelően képzett orvos végezheti.

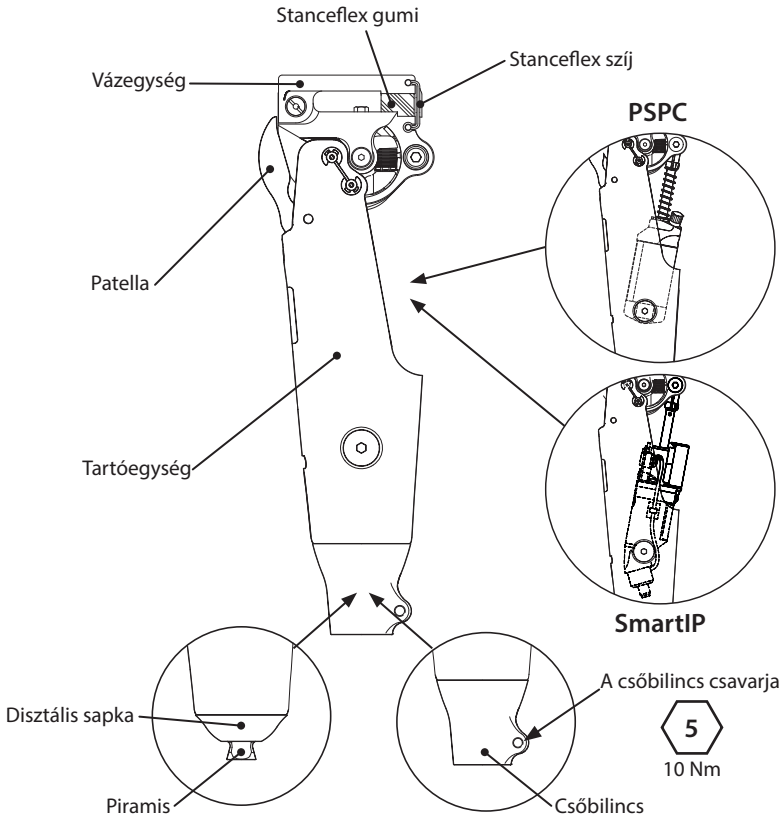


Az eszköz nem arra készült, hogy vízbe merítve vagy zuhanyzáshoz viselhető protézisként használják. Ha a végtag vízzel érintkezik, azonnal törölje szárazra.

3 Felépítés

Fő alkatrészek

- Tartóegység szén-szál kompozit és rozsdamentes acél
- Vázegység alumíniumötvözet, rozsdamentes acél, módosított hőre lágyuló műanyag, szálerősített (azbesztmentes) súrlódó anyag
- Disztális sapka alumíniumötvözet
- Disztális piramis titán rozsdamentes acél csappal
- Disztális csőbilincs alumíniumötvözet
- Patella módosított hőre lágyuló műanyag
- Stanceflex gumi természetes gumi
- Stanceflex szíj aramid
- PSCP alumíniumötvözet, rozsdamentes acél, titán, módosított hőre lágyuló műanyag
- SmartIP alumíniumötvözet, rozsdamentes acél, titán, módosított hőre lágyuló műanyag
Elektronikus alkatrészek, akkumulátorok



4 Működés

A térd egytengelyes kialakítású, amely a vázat a tartóhoz kapcsoló térdforgóból áll. A vázban testsúlyaktivált stabilizáló térdmechanizmus található. A térdvázhoz tengelycsappal csatlakozó felső lemez tartozik, amelyet gumitömb támaszt rugalmasan. Ez terhelés alatt támaszflexiót biztosít, és a sarok talajra érkezésekor elnyeli az erőhatásokat.

E tartóegységen belül egy térdvezérlő henger ül, amely a váz hátsó tengelycsapja és a tartó disztális tengelycsapja közé van illesztve.

A PSPC hengeren manuálisan állítható szelepek találhatók, amelyek a flexiós és extenziós ellenállás független vezérlését teszik lehetővé a lengőfázis során.

A SmartIP vezérlőhenger a hengerben található szenzorok segítségével ellenőrzi a járási sebességet, és annak megfelelően automatikusan állítja a flexiós ellenállást. Az extenzióvezérlés a terminális erőhatás tompításának fix beállításán keresztül történik.

5 Karbantartás

Szemrevételezéssel rendszeresen ellenőrizze az eszközt.

Az eszköz teljesítményének minden változását, például a szokatlan zajokat, a fokozott merevséget, a korlátozott/túlzott forgást, a jelentős kopást vagy az UV sugárzásnak való hosszú távú expozíció miatti túlzott elszíneződést jelentse az orvosnak/szolgáltatónak.

Tájékoztassa az orvost/szolgáltatót testsúlya és/vagy aktivitási szintje bármilyen változásáról.

Tisztítás

Nedves ruhával és enyhe szappanos vízzel tisztítsa meg a külső felületeket. NE használjon agresszív tisztítószereket.

A további utasítások ebben a szakaszban kizárólag az orvos használatára szolgálnak.

A karbantartást kizárólag hozzáértő személy végezheti (orvos vagy megfelelően képzett technikus).

Az optimális teljesítmény megőrzése érdekében javasolt az elfogadhatatlan zaj, holtjáték, illetve a stabilitás időszakos ellenőrzése. Az ellenőrzések közti időszakot olyan tényezők határozzák meg, mint a felhasználó aktivitása, a használat gyakorisága és a térd stabilitási beállításai.

Útmutatóként: ha a beállítás 6 kattanás vagy afölötti, és a felhasználó átlagosan évente 600 000 lépést tesz meg, éves felülvizsgálat javasolt.

Ha a stabilizáló beállítás kevesebb, mint 6 kattanás, és/vagy a felhasználó átlaga az átlagosnál kevesebb számú lépés, a felülvizsgálatok közötti időszak hosszabb lehet.

A lépésszám meghatározására végtagaktivitási monitor alkalmazása javasolt.

Az optimális stabilitás és tartósság érdekében azt javasoljuk, hogy a térdet az egyén stabilitási igényeinek megfelelően állítsák be. Lásd a beállítási útmutatót/folyamatábrát.

Ezen felülvizsgálatok során:

- Ellenőrizze, hogy nincs-e olyan látható meghibásodás, amely befolyásolhatja a megfelelő működést.
- Ellenőrizze a váz M-L holtjátékát és a Stanceflex gumi túlzott kompresszióját. Szükség esetén cserélje ki a csapágycsapat és a Stanceflex gumit.
- Ellenőrizze az elülső ütközőt és szükség esetén cserélje ki.
- Ellenőrizze a lábszár ütközőit és szükség esetén cserélje ki.
- Szerelje szét, tisztítsa meg és szerelje össze újra a térdmechanizmust.

Tájékoztassa a felhasználót, hogy az eszköz szemrevételezéssel történő, rendszeres ellenőrzése javasolt, és a teljesítményben jelentkező minden változást jelenteni kell az orvosnak. A teljesítmény változásai közé tartozhat: a térd merevségének fokozódása vagy csökkenése, instabilitás, csökkent térdtámasz (szabad mozgás), bármely szokatlan zaj.

Ha ezt az eszközt extrém aktivitásra használják, felül kell vizsgálni a karbantartás szintjét és intervallumát, és szükség esetén tanácsot és műszaki támogatást kell kérni új karbantartási ütemezés tervezésére az aktivitás gyakoriságától és természetétől függően. Ezt helyi kockázatértékeléssel kell meghatározni, amelyet megfelelően képzett személy végez el.

Tárolás és kezelés

Hosszú ideig történő tárolás esetén az eszközt szárazon és $-15\text{ }^{\circ}\text{C}$ és $50\text{ }^{\circ}\text{C}$ közti hőmérséklet-tartományban kell tárolni.

Használja a mellékelt termékcsomagolást.

6 A használatot érintő korlátozások

A tervezett élet:

Helyi kockázatértékelést kell elvégezni az aktivitás és a felhasználás alapján.

Súlyok emelése

A felhasználó súlyát és aktivitását a megállapított határértékek szabályozzák.

A felhasználó által vitt súlyt a helyi kockázatértékelés alapján kell meghatározni.

Környezet:

Ne tegye ki az eszközt korrozív anyagoknak, például víznek, savaknak vagy más folyadékoknak. Kerülje a dörzshatású – például homokos – környezetet is, mivel ez elősegítheti az idő előtti kopást.

Kizárólag $-15\text{ }^{\circ}\text{C}$ és $50\text{ }^{\circ}\text{C}$ közötti használatra.



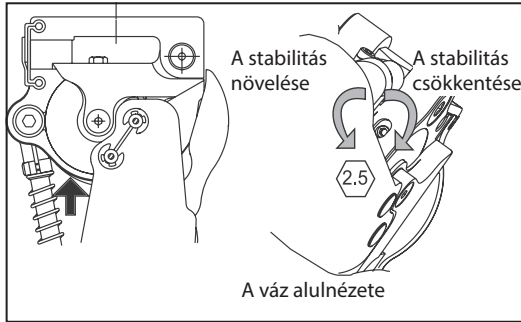
Szabadtéri használatra alkalmas

7 Szintillesztés

Az ebben a szakaszban található utasítások kizárólag az orvos használatára szolgálnak.

Járáspróbák

Rugócsoport-beállító



Teljesen nyújtsa ki a végtagot, hogy hozzáférjen a beállítóhoz.

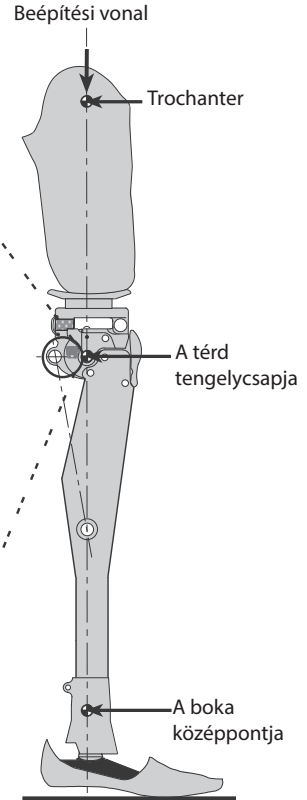
Az adott amputált betegnek szükséges stabilitás eléréséhez forgassa el a RUGÓCSOPORT-BEÁLLÍTÓT.

Megjegyzés... A beállításakor kattánásokat kell hallania. A beállító önzáró.

A stabilitás csökkentéséhez szorítsa meg a RUGÓCSOPORTOT.

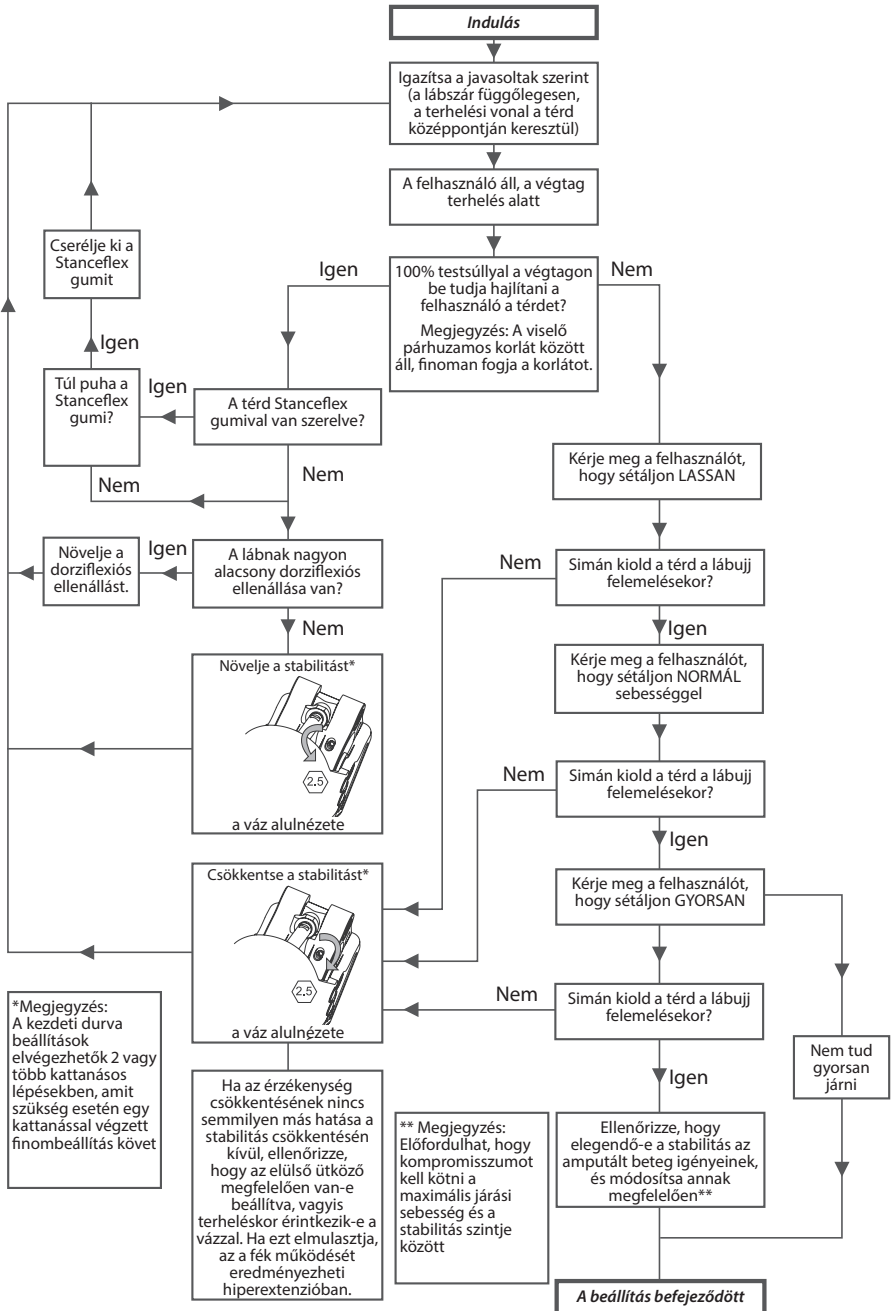
A stabilitás növeléséhez lazítsa fel a RUGÓCSOPORTOT – lásd fent.

Ha szükséges, a beállító visszaállítható a gyári beállításokra. Ezt úgy érheti el, ha a legnagyobb stabilitási beállítástól hat hallható kattanással csökkenti a stabilitást.



8 Az igazításra vonatkozó tanácsok és stabilitási módosítás

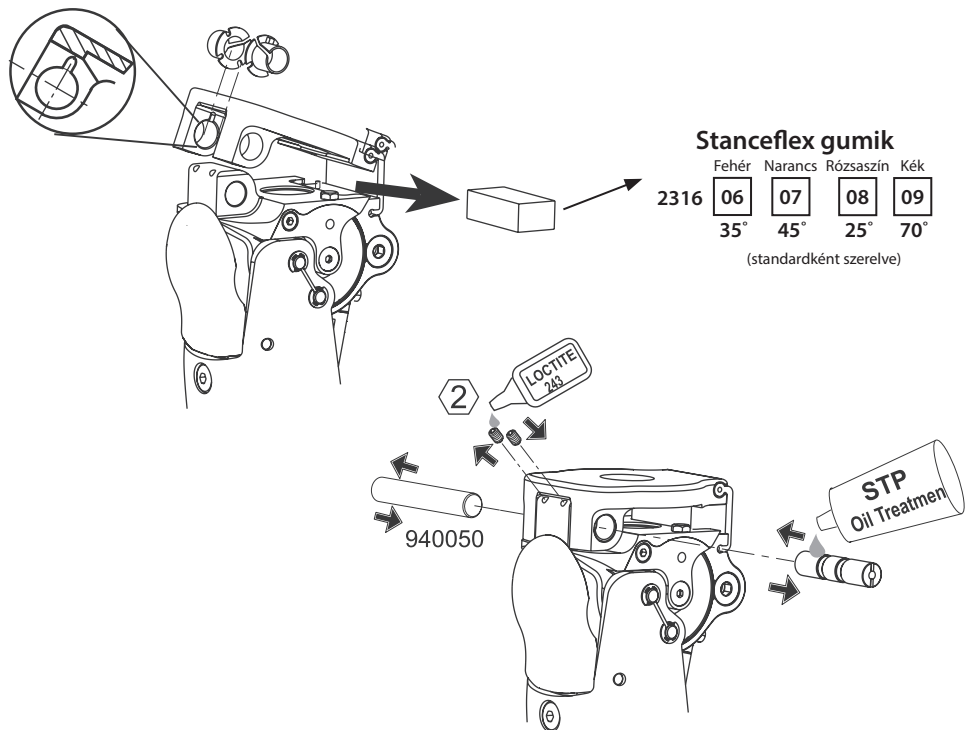
Az ebben a szakaszban található utasítások kizárólag az orvos használatára szolgálnak.



9 Az illesztésre vonatkozó tanácsok

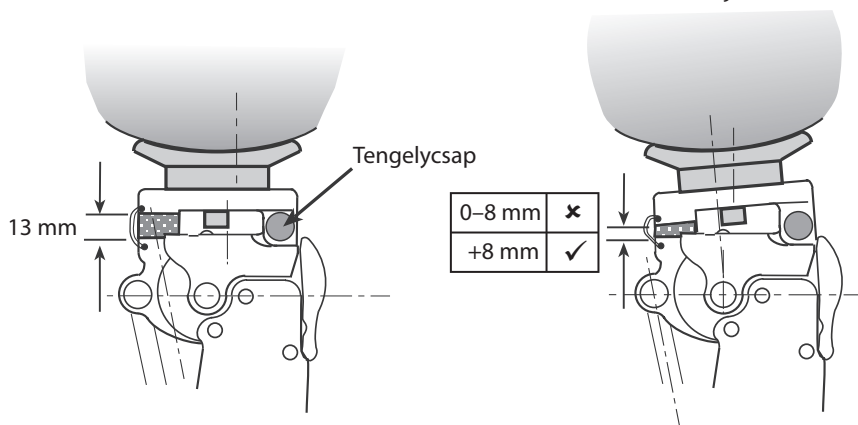
Az ebben a szakaszban található utasítások kizárólag az orvos használatára szolgálnak.

9.1 A Stanceflex gumi cseréje



Statikus

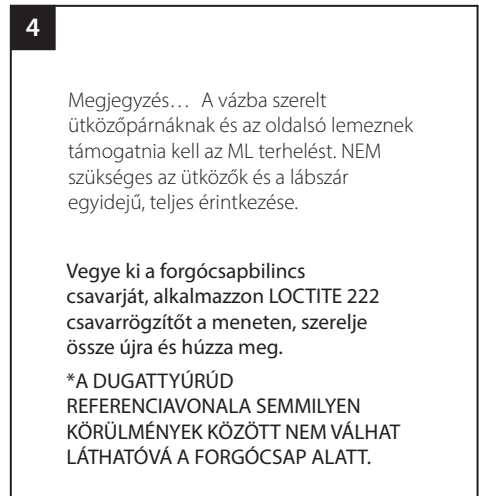
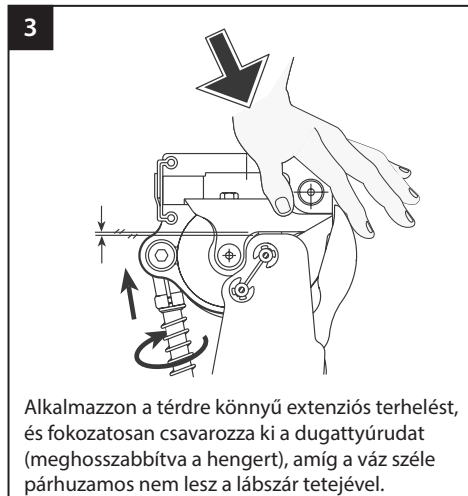
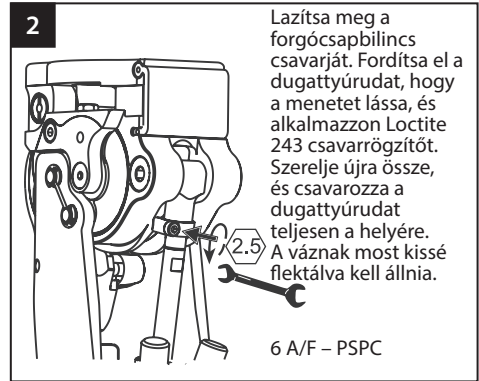
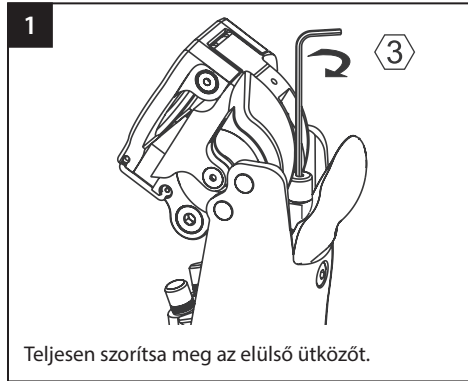
Térdflexió a sarok talajra érkezése után



9.2 Az elülső ütköző beállítása – állítható forgócsap

Az ebben a szakaszban található utasítások kizárólag az orvos használatára szolgálnak.

A PSPC-hez szerelve



Az elülső ütköző beállítása – nem állítható intelligens protézis

(Ahogy régebbi SmartIP modellekre van szerelve)

Nincs szükség beállításra ezen hengerek alkalmazásakor. Az elülső ütközőt teljesen meg kell szorítani ezekhez, ahogy az 1. lépés ábráján látható.

9.3 További beállítások

Az ebben a szakaszban található utasítások kizárólag az orvos használatára szolgálnak.

Tünet	Megoldás
A térd nem stabilizálódik	Növelje az érzékenységet
	Mozdítsa el a tokot anterior irányba
	Ha a fék hátsó éle sérült, cserélje ki a stabilizáló mechanizmust
	Ellenőrizze a Stanceflex gumit, és szükség esetén cserélje ki (Lásd a minimális vastagságot kompresszióban a <i>Térdflexió a sarok talajra érkezése után</i> című részben)
A térd nem oldódik ki	Csökkentse az érzékenységet
	Ellenőrizze a dugattyúrúd hosszának helyes beállítását
	Mozdítsa el a tokot posterior irányba
A sarok emelkedése túl magas a lengés során	Lásd a vezérlőhenger használati útmutatóját
A sarok emelkedése túl alacsony a lengés során	Lásd a vezérlőhenger használati útmutatóját
A felhasználó terminális erőhatást tapasztal	Lásd a vezérlőhenger használati útmutatóját
Az eszköz nem nyúlik ki teljesen a lengés alatt	Lásd a vezérlőhenger használati útmutatóját

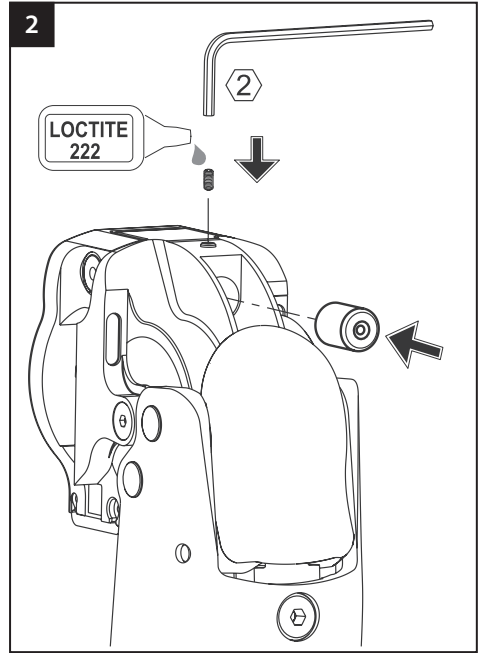
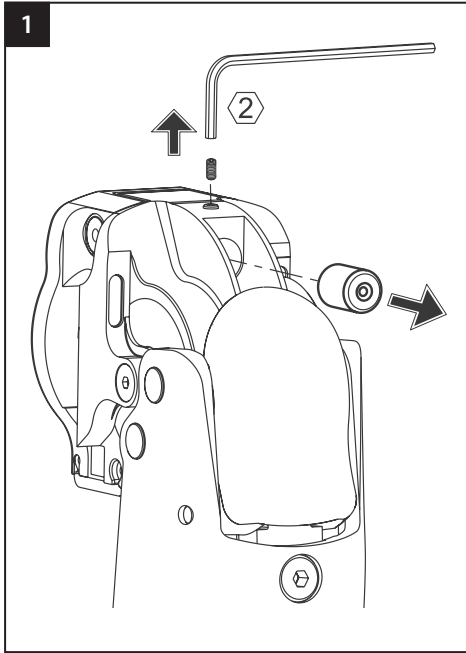
Ha ezen instrukciók követése után még mindig működési problémákat tapasztal, kérjük, forduljon tanácsért az Ön területén található értékesítési csoporthoz.

10 Összeszerelési instrukciók

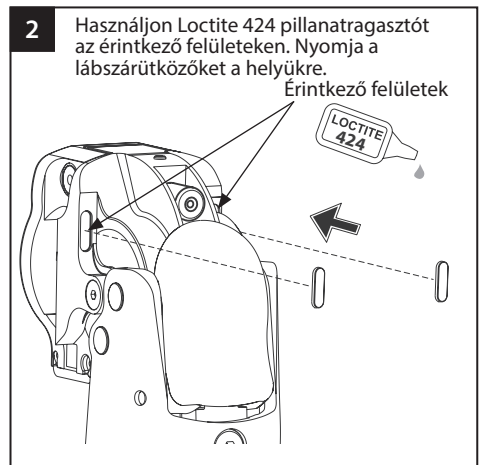
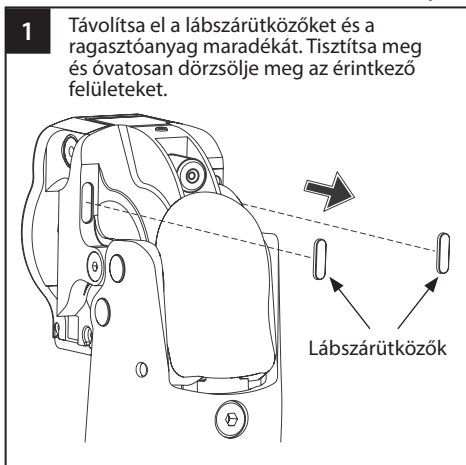
Az ebben a szakaszban található utasítások kizárólag az orvos használatára szolgálnak.

10.1 Az elülső ütköző cseréje

Új elülső ütköző felszerelésekor mindig állítsa be újra, és ha van, ellenőrizze a henger hosszát, ha állítható forgócsappal van szerelve. (Lásd az előző oldalt.)

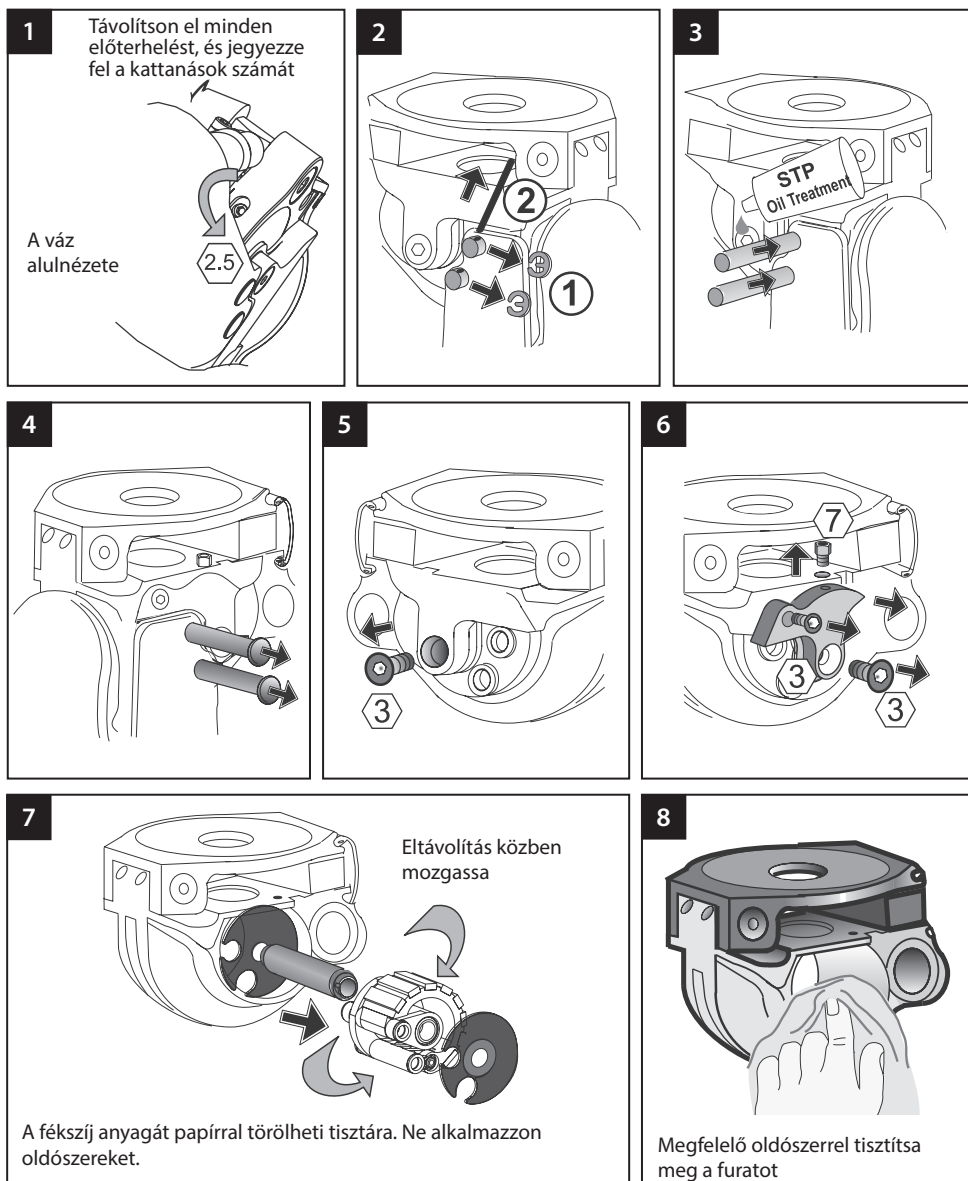


10.2 A lábszárütközők cseréje



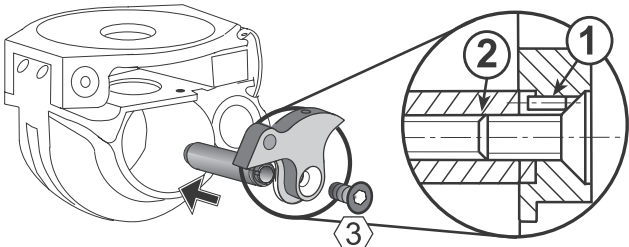
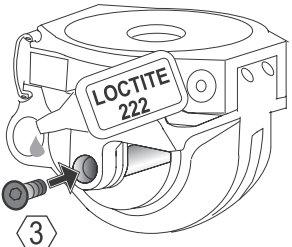
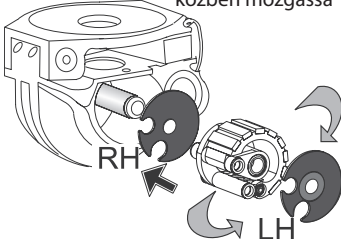
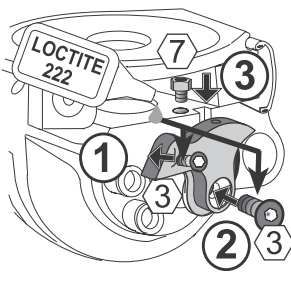
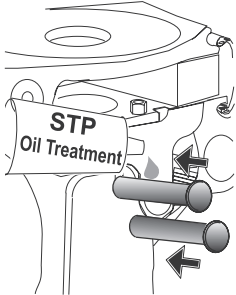
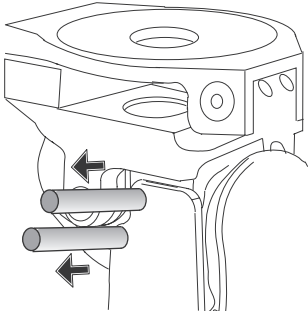
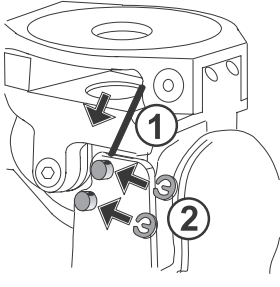
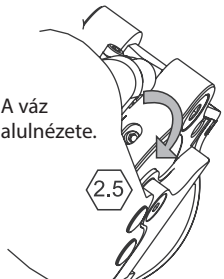
10.3 Az ESK+ mechanizmus eltávolítása

Az ebben a szakaszban található utasítások kizárólag az orvos használatára szolgálnak.



10.4 Az ESK+ mechanizmus cseréje

Az ebben a szakaszban található utasítások kizárólag az orvos használatára szolgálnak.

<p>1</p>  <p>Az oldallemezt felfelé igazítva igazítsa a csavarorsóban (2) lévő hornyot az ékhez (1), de ebben a lépésben ne szerelje össze.</p>	<p>2</p>  <p>Csavarja az orsót a vázhoz.</p>	
<p>3</p> <p>Összeszerelés közben mozgassa</p>  <p>AZ IRÁNY FONTOS! Úgy szerelje össze, hogy a lapos oldalak és a betűjelzés (RH, LH) befelé nézzen.</p>	<p>4</p>  <p>LOCTITE 222</p>	<p>5</p>  <p>STP Oil Treatment</p>
<p>6</p> 	<p>7</p> 	<p>8</p> <p>Helyezze vissza az előterhelést a feljegyzett számmal kattánással.</p> <p>A váz alulnézete.</p> 

11 Műszaki adatok

Üzemi és tárolási hőmérséklet-tartomány: -15 °C–50 °C

Az alkatrész súlya:

SmartIP 1,27 kg

PSPC 1,13 kg

Aktivítási szint: 2–3 (4)

A felhasználó maximális súlya:

2–3. aktivitási szint 125 kg

4. aktivitási szint 100 kg

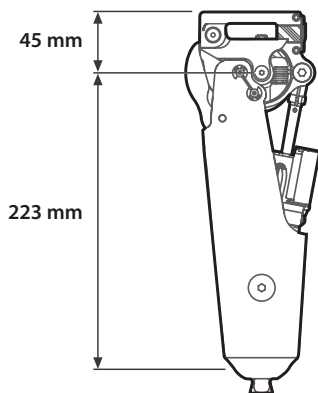
Maximális hajlítási szög: 140°

Proximális igazítás csatlakozása: Önálló csap (Blatchford)

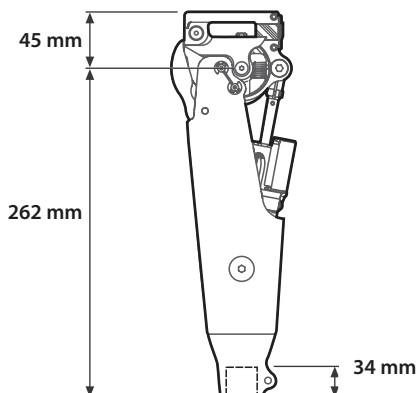
Disztális igazítás csatlakozása: 30 mm-es csőbilincs vagy csatlakozódugós piramis (Blatchford)

A szerkezet magassága: Lásd az alábbi ábrákat.

Illesztési hossz



ESK+ Stanceflex disztális piramissal



ESK+ Stanceflex 30 mm-es disztális csőbilinccsel

12 Rendelési információk

Megrendelési példa

	ESK+ Stanceflex-szel							
	30 mm-es disztális csőbilincs				Disztális piramis			
Pneumatikus henger	ESK	SF	P	30	ESK	SF	P	PIR
	ESK+	Stanceflex	PSPC	Disztális csőbilincs, 30 mm	ESK+	Stanceflex	PSPC	Disztális piramis
SmartIP térd	SMARTIP	SF	30	SMARTIP	SF	PIR		
	SmartIP térd	Stanceflex	Disztális csőbilincs, 30 mm	SmartIP térd	Stanceflex	Disztális piramis		
Nincs vezérlőhenger felszerelve	ESK	SF	30	ESK	SF	PIR		
	ESK+	Stanceflex	Disztális csőbilincs, 30 mm	ESK+	Stanceflex	Disztális piramis		

Cserealkatrészek

Tétel	Alkatrészszám
Stanceflex térdegység	239149
ESK mechanizmus beállítócsap	234914
Elülső ütköző párna	234903
ESK+ stabilizáló mechanizmus készlet	239949
Lábszárütköző	233810

Stanceflex gumi

Tétel	Alkatrészszám
25° rózsaszín (puha)	231608
35° fehér	231606
45° narancs (standardként szerelve)	231607
70° kék (kemény)	231609

Felelősség

A gyártó azt javasolja, hogy az eszközt csak a megadott körülmények között és a tervezett célokra használják. Az eszköz karbantartását az ahhoz mellékelte használati útmutató szerint kell végezni. A gyártó nem felel semmilyen olyan nemkívánatos kimenetelért, amelyet általa jóvá nem hagyott alkatrész-kombináció okoz.

CE-megfelelőség

Ez a termék megfelel az orvostechnikai eszközökre vonatkozó 2017/745 európai uniós rendelet követelményeinek. Ezt a terméket 1. osztályú terméként sorolták be a rendelet VIII. mellékletében meghatározott osztályozási szabályok szerint. Az európai uniós megfelelőségi nyilatkozat a következő internetes oldalon érhető el: www.blatchford.co.uk



Orvostechnikai eszköz



Egy beteg – többszöri felhasználás

Összeférhetőség

A Blatchford márkájú termékekkel való összeállítás a vonatkozó szabványok és az orvostechnikai eszközökre vonatkozó rendelet (MDR) szerint végzett tesztelés alapján engedélyezett, ideértve a szerkezeti vizsgálatot, a méretek összeférhetőségét és az ellenőrzött helyszíni teljesítményt.

Más, CE-jelzéssel ellátott termékekkel való összeállítást orvos által végzett, dokumentált helyi kockázatértékelésre figyelemmel kell elvégezni.

Jótállás

Az eszközre 24 hónapos, a fékszíjra 12 hónapos jótállás vonatkozik.

A felhasználónak tisztában kell lennie azzal, hogy a kifejezetten jóvá nem hagyott változtatások vagy módosítások érvényteleníthetik a jótállást, a működési engedélyeket és mentességeket.

A teljes jótállási nyilatkozatot lásd a Blatchford weboldalán.

A súlyos incidensek jelentése

Abban a valószínűtlen esetben, ha súlyos incidens történne az eszközzel kapcsolatban, azt jelenteni kell a gyártónak és az illetékes nemzeti hatóságnak.

Környezetvédelmi szempontok

Ez a termék hidraulika olajat, vegyes fémeket és műanyagokat tartalmaz. Hacsak lehetséges, az alkatrészeket a helyi hulladékkezelési szabályozások szerint újra kell hasznosítani.

A csomagolás címkéjének megőrzése

Javasoljuk, hogy az orvos őrizze meg a csomagolás címkéjét a biztosított eszköz dokumentálásaként.

A gyártó székhelye

Blatchford Products Limited, Lister Road, Basingstoke RG22 4AH, Egyesült Királyság

Védjegyre vonatkozó elismervények

A Blatchford a Blatchford Products Limited bejegyzett védjegye.

Περιεχόμενα.....	110
1 Περιγραφή και σκοπός για τον οποίο προορίζεται.....	111
2 Πληροφορίες για την ασφάλεια.....	113
3 Κατασκευή.....	114
4 Λειτουργία.....	115
5 Συντήρηση.....	115
6 Περιορισμοί για τη χρήση.....	116
7 Εργαστηριακή ευθυγράμμιση.....	117
8 Συμβουλές ευθυγράμμισης και προσαρμογή σταθερότητας.....	118
9 Οδηγίες προσαρμογής.....	119
9.1 Αλλαγή των ελαστικών Stanceflex.....	119
9.2 Ρύθμιση μπροστινού στοπ - Ρυθμιζόμενος στροφέας.....	120
9.3 Περαιτέρω ρυθμίσεις.....	121
10 Οδηγίες συναρμολόγησης.....	122
10.1 Αλλαγή αποσβεστήρα μπροστινού στοπ.....	122
10.2 Αλλαγή στοπ κνήμης.....	122
10.3 Αφαίρεση του μηχανισμού ESK+.....	123
10.4 Αντικατάσταση του μηχανισμού ESK+.....	124
11 Τεχνικά στοιχεία.....	125
12 Πληροφορίες παραγγελίας.....	126

1 Περιγραφή και σκοπός για τον οποίο προορίζεται

Αυτές οι οδηγίες χρήσης προορίζονται για χρήση από τον ιατρό και τον χρήστη, εκτός αν αναφέρεται κάτι διαφορετικό.

Ο όρος *συσκευή* όπως χρησιμοποιείται σε αυτές τις οδηγίες χρήσης αναφέρεται στα προϊόντα Stanceflex ESK+.

Διαβάστε και βεβαιωθείτε ότι κατανοήσατε όλες τις οδηγίες χρήσης, ιδιαίτερα όλες τις πληροφορίες για την ασφάλεια και τις οδηγίες συντήρησης.

Εφαρμογή

Η συσκευή αυτή πρέπει να χρησιμοποιείται αποκλειστικά ως μέρος μιας πρόθεσης κάτω άκρου.

Η συσκευή αυτή προορίζεται για έναν μόνο χρήστη.

Η συσκευή είναι ένα μονοαξονικό σταθεροποιημένο γόνατο που ενεργοποιείται με το βάρος με ενσωματωμένο στοιχείο κάμψης κατά τη στήριξη και προορίζεται για βελτίωση της ασφάλειας και μείωση της αντιστάθμισης.

Στην κνήμη μπορεί να τοποθετηθεί ένας PSPC (πνευματικός ελεγκτής φάσης ταλάντευσης) ή ένας ελεγκτής φάσης ταλάντευσης SmartIP (Smart Intelligent Prosthesis), ενώ παρέχεται και χωρίς κύλινδρο.

Ένα ελαστικό στοιχείο στο πίσω μέρος του πλαισίου του γόνατος παρέχει επιπλέον κάμψη κατά τη στήριξη.

Χαρακτηριστικά

	Με τον χειροκίνητα ρυθμιζόμενο PSPC	Με τον ελεγχόμενο από μικροεπεξεργαστή SmartIP
Κάμψη κατά τη στήριξη στη διάρκεια άρσης βάρους	✓	✓
Σκληρό πλαίσιο από ανθρακόνημα	✓	✓
Κάμψη γόνατος 140 μοιρών	✓	✓
Ρυθμιζόμενη ευαισθησία σταθερότητας γόνατος	✓	✓
Ανεξάρτητοι χειροκίνητα ρυθμιζόμενοι έλεγχοι ταλάντευσης για κάμψη και έκταση	✓	
Ελεγχόμενος από μικροεπεξεργαστή έλεγχος ταλάντωσης κατά την κάμψη με χειροκίνητα ρυθμιζόμενη απόσβεση τελικής πρόσκρουσης κατά την έκταση		✓

Επίπεδο σωματικής δραστηριότητας

Αυτή η συσκευή προορίζεται για χρήστες με επίπεδα σωματικής δραστηριότητας 2, 3 και 4 (ισχύουν όρια βάρους, βλ. *Τεχνικά στοιχεία*).

Αυτή η συσκευή ενδέχεται να μην είναι κατάλληλη για χρήστες με επίπεδο σωματικής δραστηριότητας 1 ή για χρήση σε ανταγωνιστικά αθλητικά γεγονότα. Αυτοί οι τύποι χρηστών θα μπορούσαν να εξυπηρετηθούν καλύτερα από μια ειδικά σχεδιασμένη πρόθεση που είναι βελτιστοποιημένη για τις ανάγκες τους.

Επίπεδο σωματικής δραστηριότητας 1

Ο χρήστης έχει την ικανότητα ή τη δυνατότητα να χρησιμοποιεί πρόθεση για μετακινήσεις ή βάδιση σε επίπεδες επιφάνειες, με σταθερό ρυθμό. Αυτό είναι χαρακτηριστικό του περιορισμένου και μη περιορισμένου περιπατητή.

Επίπεδο σωματικής δραστηριότητας 2

Ο χρήστης έχει την ικανότητα ή τη δυνατότητα για βάδιση και μπορεί να διαβαίνει περιβαλλοντικά εμπόδια χαμηλού επιπέδου, όπως πεζοδρόμια, σκαλιά ή ανώμαλες επιφάνειες. Αυτό είναι χαρακτηριστικό του περιορισμένου περιπατητή που βγαίνει στην κοινωνία.

Επίπεδο σωματικής δραστηριότητας 3

Ο ασθενής έχει την ικανότητα ή τη δυνατότητα για βάδιση με μεταβλητό ρυθμό. Αυτό είναι χαρακτηριστικό του περιπατητή που βγαίνει στην κοινωνία, ο οποίος έχει την ικανότητα να διαβαίνει τα περισσότερα περιβαλλοντικά εμπόδια και μπορεί να διεξάγει επαγγελματική, θεραπευτική ή αθλητική δραστηριότητα που απαιτεί προσθετική χρήση πέρα από την απλή μετακίνηση.

Επίπεδο σωματικής δραστηριότητας 4

Ο ασθενής έχει την ικανότητα ή τη δυνατότητα για προσθετική βάδιση που υπερβαίνει τη βασική ικανότητα βάδισης, επιδεικνύοντας υψηλά επίπεδα πρόσκρουσης, καταπόνησης ή ενέργειας. Αυτό είναι χαρακτηριστικό των προσθετικών απαιτήσεων ενός παιδιού, δραστήριου ενήλικα ή αθλητή.

Κλινικά οφέλη

- Ο έλεγχος στήριξης που ενεργοποιείται με το βάρος και ο ρυθμιζόμενος έλεγχος ταλάντευσης παρέχουν ομαλή, ασφαλή βάδιση με ελεύθερο γόνατο.
- Το Stanceflex βελτιώνει την απορρόφηση κραδασμών.
- Ο έλεγχος ταλάντευσης με μικροεπεξεργαστή επιτρέπει βελτιστοποιημένα χαρακτηριστικά βάδισης σε εύρος ταχυτήτων βάδισης. (Μόνο SmartIP.)

Αντενδείξεις

Η συσκευή αυτή δεν είναι κατάλληλη για:

- Χρήστες με ακραία μυϊκή αδυναμία, συσπάσεις που δεν μπορούν να αντιμετωπιστούν σωστά ή ιδιοδεκτική δυσλειτουργία, συμπεριλαμβανομένης της ανεπαρκούς ισορροπίας.
- Χρήστες με αστάθειες ή παθολογία της αντίπλευρης άρθρωσης.
- Χρήστες με πολύπλοκες συνθήκες που περιλαμβάνουν πολλαπλές αναπηρίες.
- Χρήστες, συμπεριλαμβανομένων χρηστών με αμφίπλευρο διαμηριαίο ακρωτηριασμό, που απαιτούν λειτουργία υποχώρησης από το γόνατο για να μπορούν να κατεβαίνουν σκάλες ή να κάθονται. Αυτό μπορεί να οδηγήσει σε βλάβη στον μηχανισμό πέδησης, η οποία μπορεί να επηρεάσει αρνητικά τη σταθερότητα και την αντοχή.














Οι χρήστες πρέπει να εκπαιδευτούν στο βάδισμα πριν χρησιμοποιήσουν αυτή τη συσκευή.



Βεβαιωθείτε ότι ο χρήστης έχει κατανοήσει όλες τις οδηγίες χρήσης, επιστώντας ιδιαίτερα την προσοχή σε όλες τις ενότητες με πληροφορίες για τη συντήρηση και την ασφάλεια.

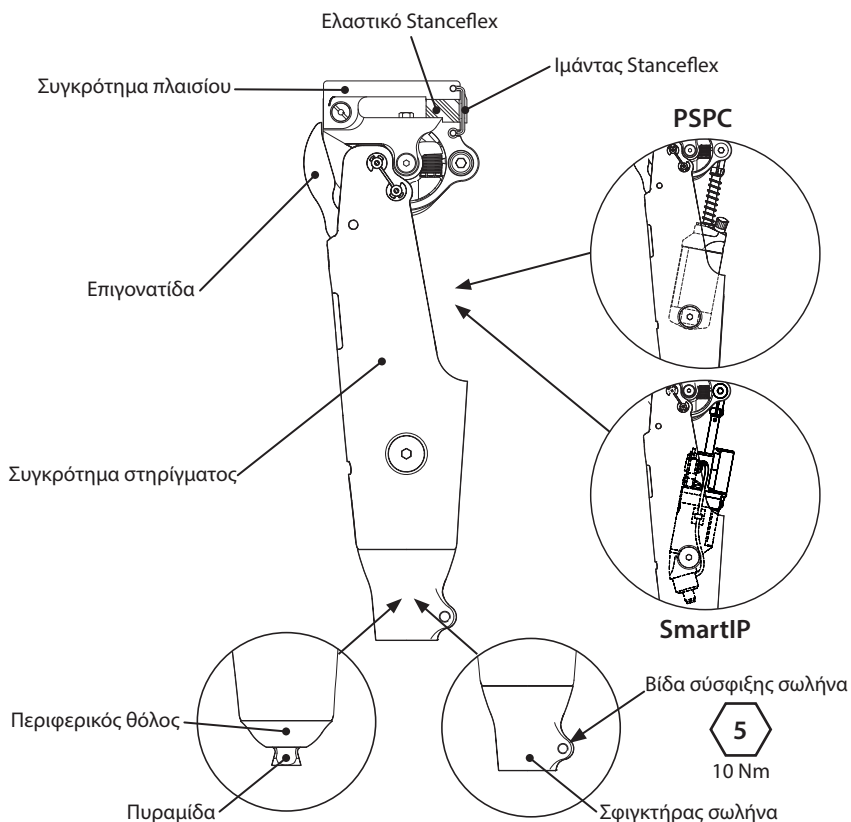
2 Πληροφορίες για την ασφάλεια

-  Αυτό το προειδοποιητικό σύμβολο επισημαίνει σημαντικές πληροφορίες για την ασφάλεια.
-  Να προσέχετε για τυχόν κίνδυνο παγίδευσης δακτύλων πάσα στιγμή.
-  Τυχόν αλλαγές στην απόδοση ή τη λειτουργία του άκρου, π.χ. αστάθεια, διπλή κίνηση, περιορισμένη κίνηση, ανώμαλη κίνηση ή ασυνήθιστοι θόρυβοι, θα πρέπει να αναφέρονται αμέσως στον πάροχο υπηρεσιών σας.
-  Χρησιμοποιείτε πάντα χειρολισθήρα όταν κατεβαίνετε σκάλες και οποιαδήποτε άλλη στιγμή, εφόσον είναι διαθέσιμος.
-  Τυχόν υπερβολικές αλλαγές στο ύψος του τακουνιού μετά την ολοκλήρωση της ευθυγράμμισης ενδέχεται να επηρεάσουν δυσμενώς τη λειτουργία των άκρων.
-  Βεβαιωθείτε ότι χρησιμοποιούνται μόνο οχήματα με κατάλληλες μετατροπές κατά την οδήγηση. Όλα τα άτομα υποχρεούνται να τηρούν τους αντίστοιχους νόμους οδικής κυκλοφορίας όταν χειρίζονται μηχανοκίνητα οχήματα.
-  Απαιτείται προσοχή όταν μεταφέρετε βαριά φορτία, καθώς αυτό μπορεί να επηρεάσει αρνητικά τη σταθερότητα της συσκευής.
-  Ο χρήστης θα πρέπει να συμβουλευεται να επικοινωνήσει με τον ιατρό του σε περίπτωση αλλαγής της κατάστασής του.
-  Αποφύγετε την έκθεση σε υπερβολική ζέστη ή/και υπερβολικό κρύο.
-  Η συναρμολόγηση, η συντήρηση και η επισκευή της συσκευής πρέπει να διενεργούνται μόνο από ιατρό με τα κατάλληλα προσόντα.
-  Η συσκευή δεν προορίζεται για χρήση βυθισμένη στο νερό ή ως πρόθεση κατά το ντους. Αν το άκρο έλθει σε επαφή με νερό, σκουπίστε το αμέσως με ένα πανί.

3 Κατασκευή

Κύρια μέρη

- Συγκρότημα στηρίγματος Συνθετικό ανθρακονήμα και ανοξείδωτος χάλυβας
- Συγκρότημα πλαισίου Κράμα αλουμινίου, ανοξείδωτος χάλυβας, θερμοπλαστικό μηχανικής, υλικό τριβής ενισχυμένο με ίνες (χωρίς αμίαντο).
- Περιφερικός θόλος Κράμα αλουμινίου
- Περιφερική πυραμίδα Τίτανιο με κοχλία από ανοξείδωτο χάλυβα
- Σφιγκτήρας περιφερικού σωλήνα Κράμα αλουμινίου
- Επιγονατίδα Θερμοπλαστικό μηχανικής
- Ελαστικό Stanceflex Φυσικό καουτσούκ
- Ιμάντας Stanceflex Kevlar
- PSPC Κράμα αλουμινίου, ανοξείδωτος χάλυβας, τιτάνιο, θερμοπλαστικό μηχανικής
- Κύλινδρος ελέγχου SmartIP Κράμα αλουμινίου, ανοξείδωτος χάλυβας, τιτάνιο, θερμοπλαστικό μηχανικής
Ηλεκτρονικά εξαρτήματα, μπαταρίες



4 Λειτουργία

Το γόνατο είναι μια μονοαξονική σχεδίαση που περιλαμβάνει έναν άξονα περιστροφής του γόνατος που συνδέει ένα πλαίσιο με ένα στήριγμα. Ένας μηχανισμός σταθεροποίησης του γόνατος που ενεργοποιείται με το βάρος βρίσκεται μέσα στο πλαίσιο. Το πλαίσιο του γόνατου διαθέτει μια συνδεδεμένη στον άξονα περιστροφής άνω πλάκα, η οποία στηρίζεται ελαστικά από ένα λαστιχένιο μπλοκ, το οποίο παρέχει μια δράση κάμψης κατά τη στήριξη υπό φορτίο και απορροφά τα φορτία κρούσης κατά την κρούση της πτέρνας.

Ένας κύλινδρος ελεγκτή γόνατος βρίσκεται μέσα σε αυτό το συγκρότημα πλαίσιο, τοποθετημένο μεταξύ του οπίσθιου άξονα περιστροφής του πλαισίου και του περιφερικού άξονα περιστροφής του στηρίγματος.

Ο κύλινδρος PSPC έχει χειροκίνητα ρυθμιζόμενες βαλβίδες που παρέχουν ανεξάρτητο έλεγχο της αντίστασης κάμψης και έκτασης κατά τη διάρκεια της φάσης ταλάντευσης.

Ο κύλινδρος του ελεγκτή SmartIP χρησιμοποιεί αισθητήρες στο εσωτερικό του κυλίνδρου για την παρακολούθηση της ταχύτητας βάδισης και προσαρμόζει αναλόγως αυτόματα την αντίσταση κάμψης. Ο έλεγχος έκτασης πραγματοποιείται μέσω σταθερής ρύθμισης ενός αποσβεστήρα τελικής πρόσκρουσης.

5 Συντήρηση

Ελέγχετε οπτικά τη συσκευή σε τακτά χρονικά διαστήματα.

Αναφέρετε οποιοσδήποτε αλλαγές στην απόδοση αυτής της συσκευής στον ιατρό/τον πάροχο υπηρεσιών, π.χ. ασυνήθιστους θορύβους, αυξημένη ακαμψία, περιορισμένη/υπερβολική περιστροφή, σημαντική φθορά ή υπερβολικό αποχρωματισμό από μακροχρόνια έκθεση σε υπεριώδη ακτινοβολία.

Ενημερώστε τον ιατρό/τον πάροχο υπηρεσιών για τυχόν αλλαγές στο σωματικό βάρος ή/και το επίπεδο σωματικής δραστηριότητας.

Καθαρισμός

Χρησιμοποιήστε υγρό πανί και ήπιο σαπούνι για να καθαρίσετε τις εξωτερικές επιφάνειες. ΜΗ χρησιμοποιείτε επιθετικά καθαριστικά.

Οι υπόλοιπες οδηγίες της ενότητας αυτής προορίζονται μόνο για χρήση από ιατρούς.

Η συντήρηση αυτή πρέπει να εκτελείται μόνο από αρμόδιο προσωπικό (ιατρό ή κατάλληλο εκπαιδευμένο τεχνικό).

Για τη διατήρηση της βέλτιστης απόδοσης, συνιστάται τακτική επιθεώρηση για τυχόν απαράδεκτο θόρυβο, τυχόν τζόγο και για τη σταθερότητα. Η συχνότητα των επιθεωρήσεων καθορίζεται από παράγοντες όπως η δραστηριότητα του χρήστη, η συχνότητα χρήσης και η ρύθμιση σταθερότητας του γόνατος.

Κατά κανόνα, αν η ρύθμιση είναι 6 κλικ ή παραπάνω και ο χρήστης κάνει κατά μέσο όρο 600.000 βήματα ετησίως, συνιστάται ετήσια επιθεώρηση.

Αν η ρύθμιση σταθερότητας είναι μικρότερη από 6 κλικ ή/και ο χρήστης κάνει λιγότερα βήματα από τον μέσο όρο, το χρονικό διάστημα μεταξύ των επιθεωρήσεων μπορεί να είναι μεγαλύτερο.

Συνιστάται η χρήση μόνιτορ δραστηριότητας άκρων για τον προσδιορισμό του αριθμού των βημάτων.

Συνιστούμε να προσαρμόσετε το γόνατο στις απαιτήσεις σταθερότητας του συγκεκριμένου χρήστη για να διασφαλίσετε τη βέλτιστη σταθερότητα και αντοχή. Βλ. οδηγό προσαρμογής/διάγραμμα ροής.

Κατά τις επιθεωρήσεις αυτές:

- Ελέγξτε για ορατά ελαττώματα που θα μπορούσαν να επηρεάσουν τη σωστή λειτουργία.
- Ελέγξτε για μεσοπλευρικό τζόγο του πλαισίου και υπερβολική συμπίεση του ελαστικού Stanceflex. Αν χρειάζεται, αντικαταστήστε τα έδρανα και το ελαστικό Stanceflex.
- Ελέγξτε το μπροστινό στοπ και, αν χρειάζεται, αντικαταστήστε το.
- Ελέγξτε τα στοπ κνήμης και, αν χρειάζεται, αντικαταστήστε τα.
- Αποσυναρμολογήστε, καθαρίστε και επανασυναρμολογήστε τον μηχανισμό γόνατος.

Ενημερώστε τον χρήστη ότι συνιστάται τακτικός οπτικός έλεγχος της συσκευής και ότι θα πρέπει να αναφέρονται στον ιατρό οποιεσδήποτε αλλαγές στην απόδοση αυτής της συσκευής. Οι αλλαγές στην απόδοση μπορεί να περιλαμβάνουν: αύξηση ή μείωση της δυσκαμψίας του γόνατος, αστάθεια, μειωμένη υποστήριξη του γόνατος (ελεύθερη κίνηση), οποιονδήποτε ασυνήθιστο θόρυβο.

Αν αυτή η συσκευή χρησιμοποιείται για ακραία σωματική δραστηριότητα, το επίπεδο και το διάστημα συντήρησης θα πρέπει να επανεξεταστούν και, εφόσον χρειαστεί, θα πρέπει να ζητηθεί η παροχή συμβουλών και τεχνικής υποστήριξης για τον σχεδιασμό ενός νέου χρονοδιαγράμματος συντήρησης ανάλογα με τη συχνότητα και τη φύση της σωματικής δραστηριότητας. Αυτό θα πρέπει να καθοριστεί βάσει επιτόπιας αξιολόγησης κινδύνου που θα αναληφθεί από άτομο με τα κατάλληλα προσόντα.

Φύλαξη και χειρισμός

Κατά τη φύλαξη για παρατεταμένα χρονικά διαστήματα, η συσκευή πρέπει να διατηρείται στεγνή και σε θερμοκρασία μεταξύ -15 °C και 50 °C.

Χρησιμοποιείτε τη συσκευασία που συνοδεύει το προϊόν.

6 Περιορισμοί για τη χρήση

Προβλεπόμενη διάρκεια ζωής:

Θα πρέπει να διεξαχθεί επιτόπια αξιολόγηση κινδύνου βάσει της δραστηριότητας και της χρήσης.

Άρση φορτίου

Το βάρος και η δραστηριότητα του χρήστη εξαρτώνται από τα αναφερόμενα όρια.

Η μεταφορά φορτίου από τον χρήστη θα πρέπει να βασίζεται σε επιτόπια αξιολόγηση κινδύνου.

Περιβάλλον:

Αποφύγετε την έκθεση της συσκευής σε διαβρωτικά στοιχεία όπως νερό, οξέα και άλλα υγρά. Αποφύγετε επίσης διαβρωτικά περιβάλλοντα, όπως αυτά που περιέχουν άμμο, για παράδειγμα, καθώς αυτά μπορεί να προκαλέσουν την πρόωρη φθορά.

Αποκλειστικά για χρήση σε θερμοκρασία μεταξύ -15 °C και 50 °C



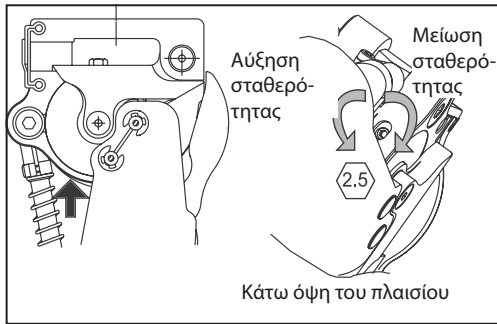
Κατάλληλο για εξωτερική χρήση

7 Εργαστηριακή ευθυγράμμιση

Οι οδηγίες της ενότητας αυτής προορίζονται μόνο για χρήση από ιατρούς.

Δοκιμές βάρδισης

Ρυθμιστής συστοίχιας ελατηρίων



Εκτείνετε πλήρως το άκρο για να αποκτήσετε πρόσβαση στον ρυθμιστή.

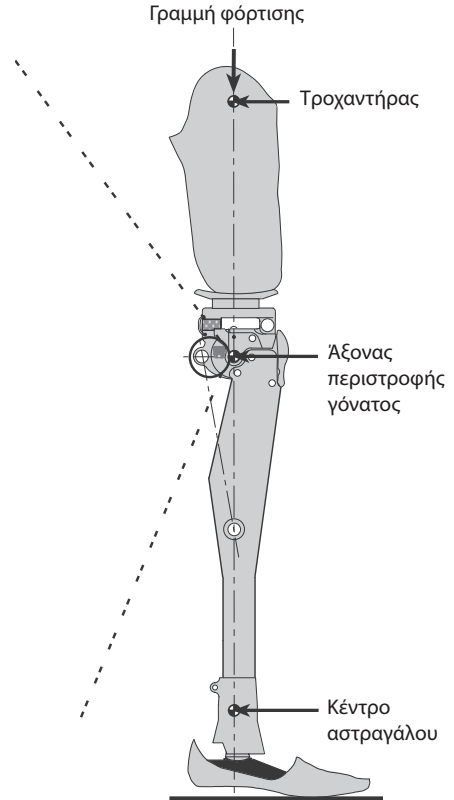
Περιστρέψτε τον ΡΥΘΜΙΣΤΗ ΣΥΣΤΟΙΧΙΑΣ ΕΛΑΤΗΡΙΩΝ για να πετύχετε την επιθυμητή σταθερότητα για το συγκεκριμένο ακρωτηριασμένο άτομο.

Σημείωση... Θα πρέπει να ακούγονται κλικ όταν αλλάζει η ρύθμιση. Ο ρυθμιστής ασφαλίζει αυτόματα.

Σφίξτε τη ΣΥΣΤΟΙΧΙΑ ΕΛΑΤΗΡΙΩΝ για να μειώσετε τη σταθερότητα.

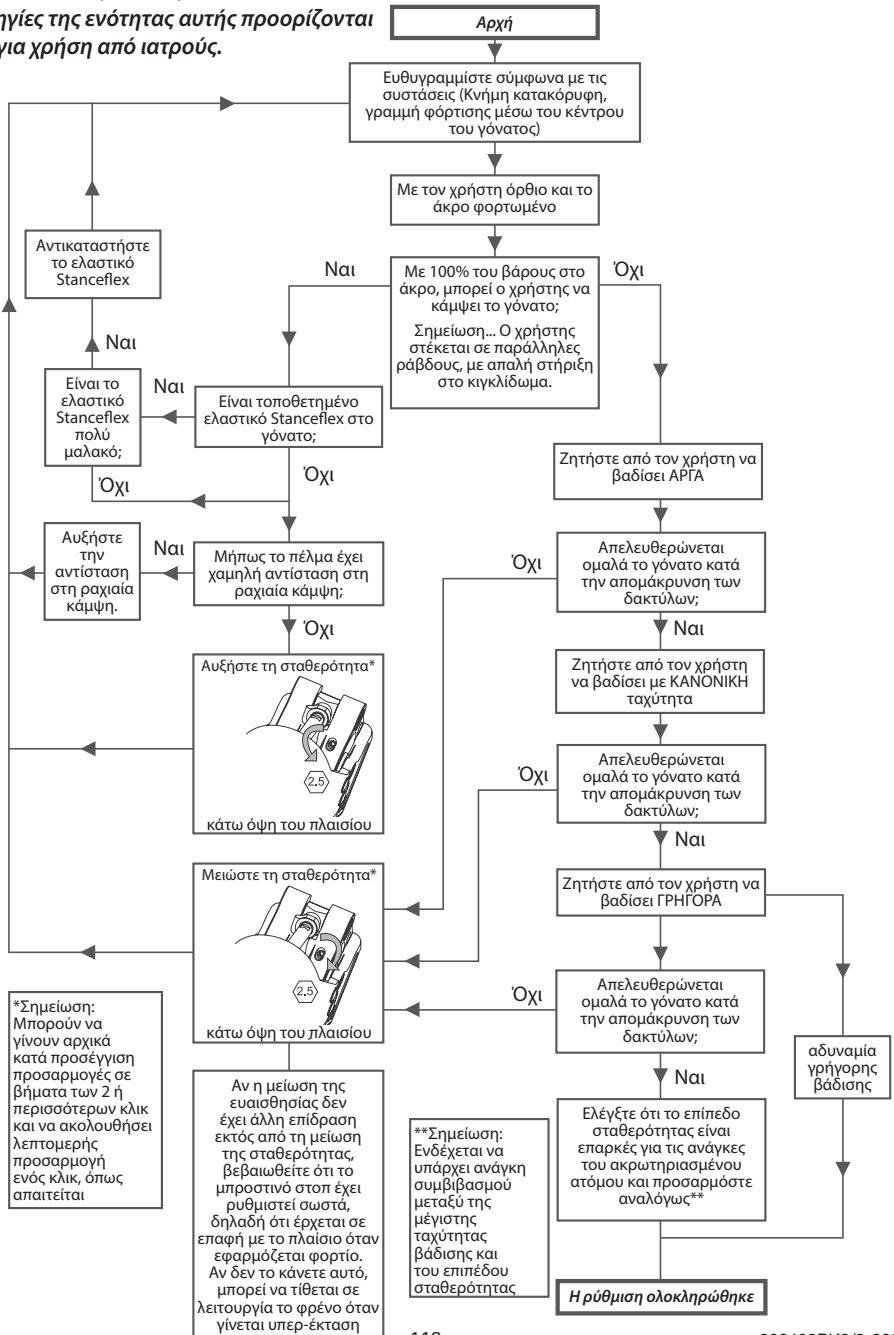
Ξεσφίξτε τη ΣΥΣΤΟΙΧΙΑ ΕΛΑΤΗΡΙΩΝ για να αυξήσετε τη σταθερότητα - Δείτε παραπάνω.

Αν χρειαστεί, ο ρυθμιστής μπορεί να επανέλθει στην εργοστασιακή ρύθμιση. Αυτό μπορεί να επιτευχθεί μειώνοντας τη σταθερότητα κατά έξι ηχητικά κλικ από τη μέγιστη ρύθμιση σταθερότητας.



8 Συμβουλές ευθυγράμμισης και προσαρμογή σταθερότητας

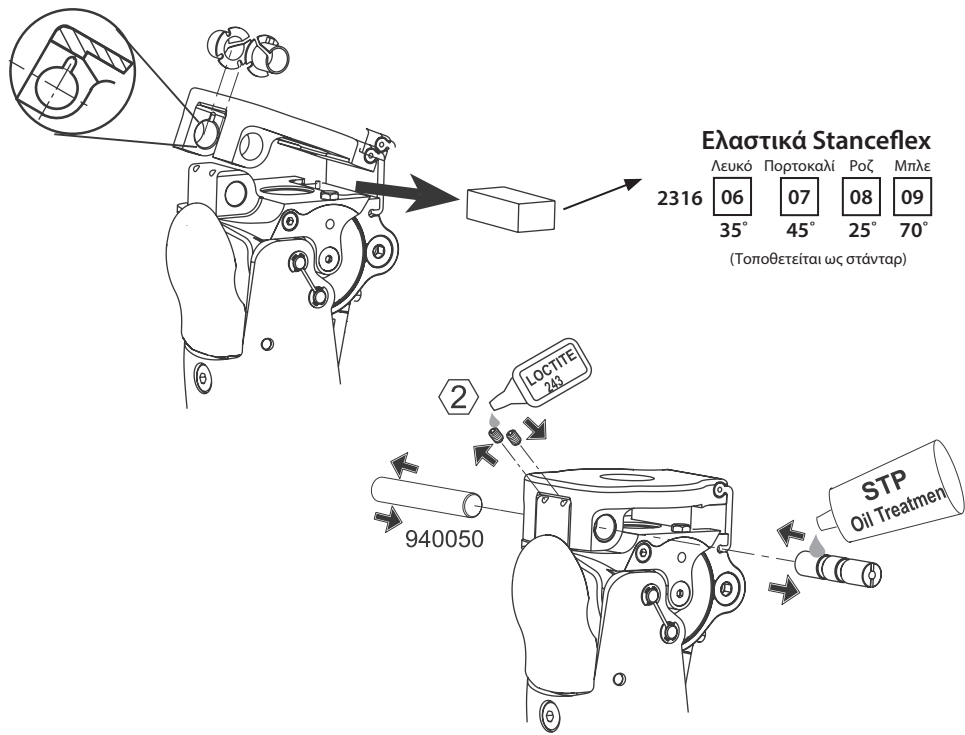
Οι οδηγίες της ενότητας αυτής προορίζονται μόνο για χρήση από ιατρούς.



9 Οδηγίες προσαρμογής

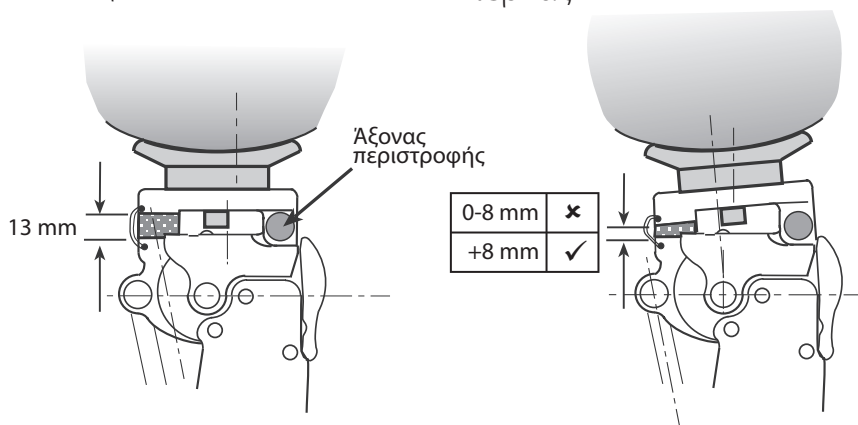
Οι οδηγίες της ενότητας αυτής προορίζονται μόνο για χρήση από ιατρούς.

9.1 Αλλαγή των ελαστικών Stanceflex



Στάσιμο

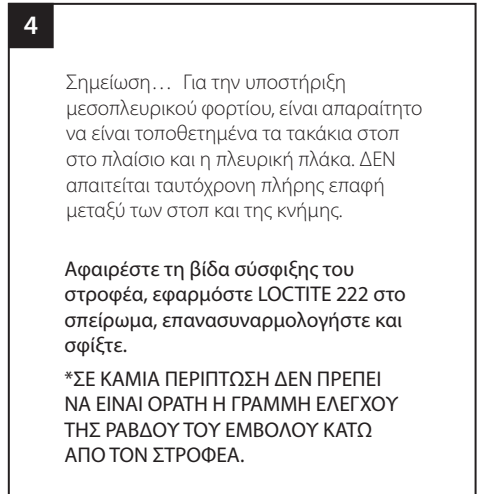
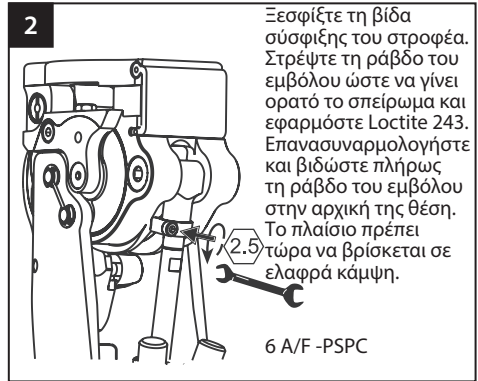
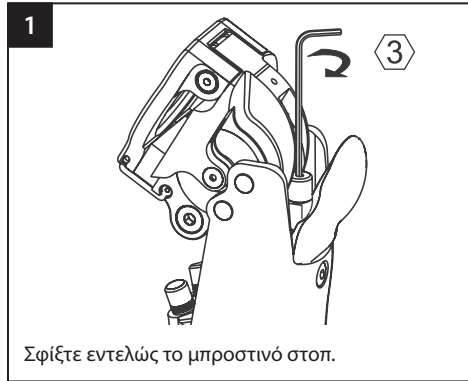
Κάμψη γονάτου μετά από κρούση πτέρνας



9.2 Ρύθμιση μπροστινού στοπ - Ρυθμιζόμενος στροφέας

Οι οδηγίες της ενότητας αυτής προορίζονται μόνο για χρήση από ιατρούς.

Τοποθετημένο στον PSPC



Ρύθμιση μπροστινού στοπ - Μη ρυθμιζόμενη έξυπνη πρόθεση

(Όπως είναι τοποθετημένη σε παλαιότερα μοντέλα SmartIP.)

Δεν απαιτείται ρύθμιση όταν γίνεται χρήση αυτών των κυλίνδρων. Απαιτούν την πλήρη σύσφιξη του μπροστινού στοπ, όπως φαίνεται στο Στάδιο 1.

9.3 Περαιτέρω ρυθμίσεις

Οι οδηγίες της ενότητας αυτής προορίζονται μόνο για χρήση από ιατρούς.

Σύμπτωμα	Λύση
Το γόνατο δεν σταθεροποιείται	Αυξήστε την ευαισθησία
	Μετακινήστε τη θήκη προς τα εμπρός
	Αντικαταστήστε τον μηχανισμό σταθεροποίησης αν έχει υποστεί ζημιά το πίσω άκρο του φρένου
	Ελέγξτε το ελαστικό Stanceflex και, αν χρειάζεται, αντικαταστήστε το (Βλέπε ελάχιστο πάχος κατά τη συμπίεση στην ενότητα <i>Κάμψη γονάτου μετά από κρούση πτέρνας</i>)
Το γόνατο δεν απελευθερώνεται	Μειώστε την ευαισθησία
	Ελέγξτε τη σωστή ρύθμιση μήκους της ράβδου του εμβόλου
	Μετακινήστε τη θήκη προς τα πίσω
Η ανύψωση της πτέρνας είναι πολύ υψηλή κατά τη διάρκεια της ταλάντευσης	Βλ. οδηγίες χρήσης του κυλίνδρου ελέγχου
Η ανύψωση της πτέρνας είναι πολύ χαμηλή κατά τη διάρκεια της ταλάντευσης	Βλ. οδηγίες χρήσης του κυλίνδρου ελέγχου
Ο χρήστης αντιμετωπίζει τελική πρόσκρουση	Βλ. οδηγίες χρήσης του κυλίνδρου ελέγχου
Η συσκευή δεν εκτείνεται πλήρως κατά τη διάρκεια της ταλάντευσης	Βλ. οδηγίες χρήσης του κυλίνδρου ελέγχου

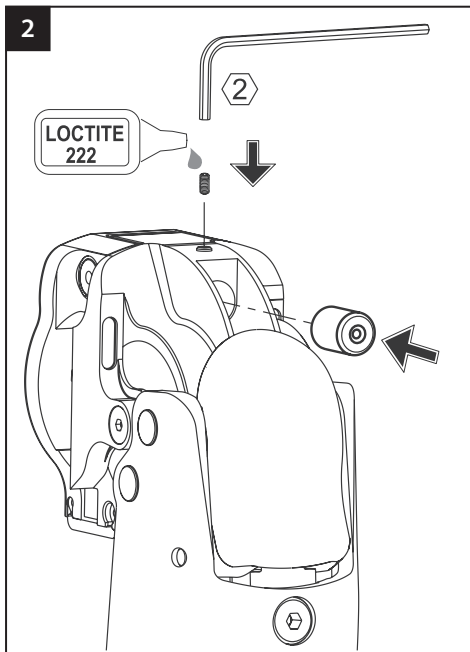
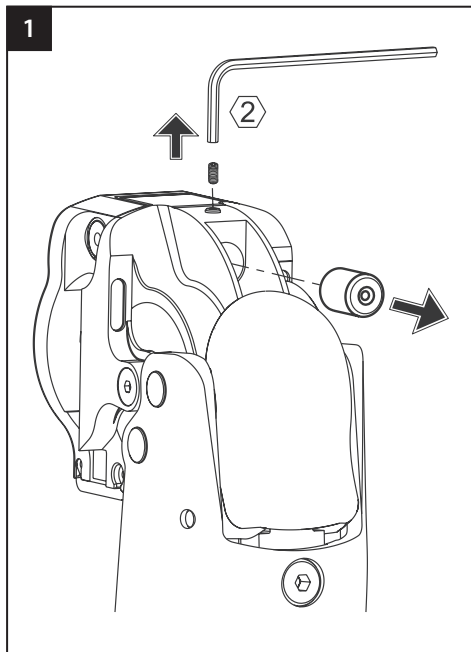
Αν, αφού ακολουθήσετε αυτές τις οδηγίες, εξακολουθείτε να έχετε πρόβλημα με τη λειτουργία, επικοινωνήστε με την ομάδα πωλήσεων στην περιοχή σας για συμβουλές.

10 Οδηγίες συναρμολόγησης

Οι οδηγίες της ενότητας αυτής προορίζονται μόνο για χρήση από ιατρούς.

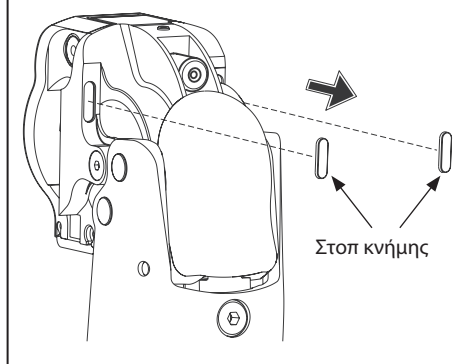
10.1 Αλλαγή αποσβεστήρα μπροστινού στοπ

Όταν τοποθετείτε νέο μπροστινό στοπ, πάντα να επαναρυθμίζετε και, κατά περίπτωση, να ελέγχετε το μήκος του κυλίνδρου, αν είναι εφοδιασμένος με ρυθμιζόμενο στροφέα. (Βλ. προηγούμενη σελίδα.)

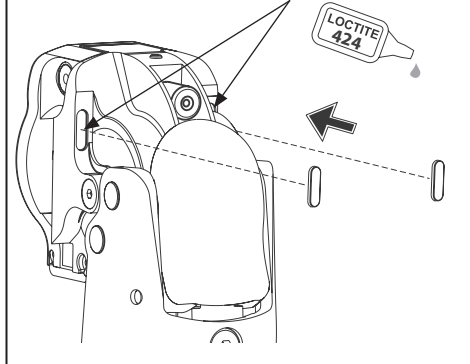


10.2 Αλλαγή στοπ κνήμης

1 Αφαιρέστε τα στοπ κνήμης και τα κατάλοιπα συγκολλητικής ουσίας. Καθαρίστε και τρίψτε ελαφρά τις επιφάνειες προσαρμογής.

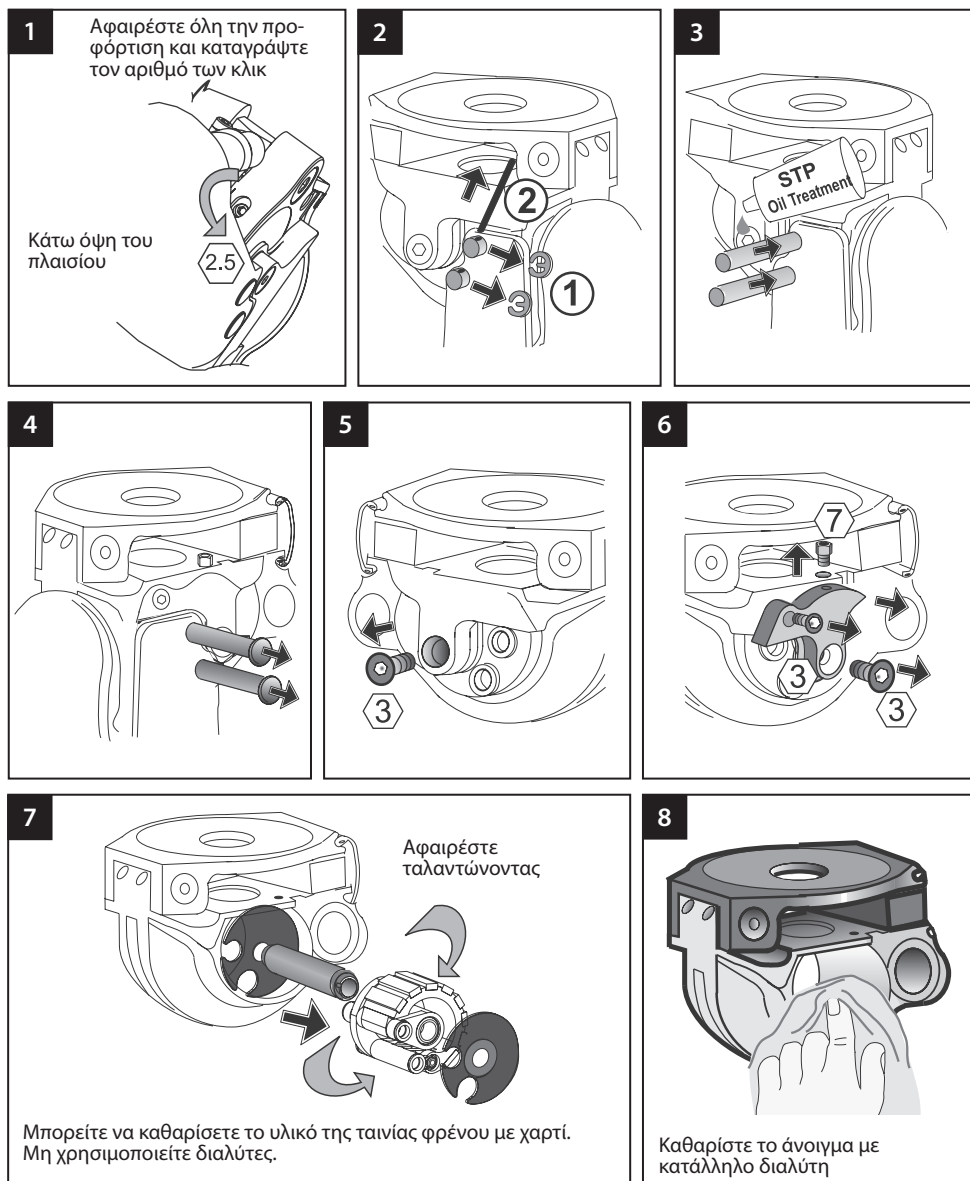


2 Εφαρμόστε Loctite 424 στις επιφάνειες προσαρμογής. Πιέστε τα στοπ κνήμης ώστε να τοποθετηθούν στη θέση τους. Επιφάνειες προσαρμογής



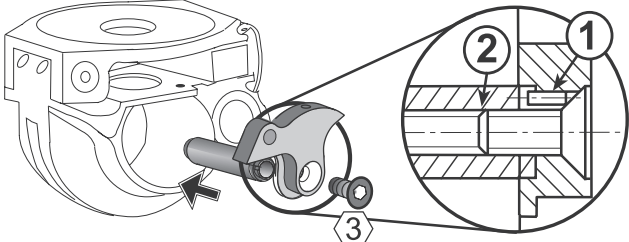
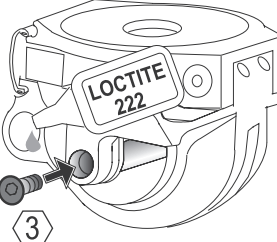
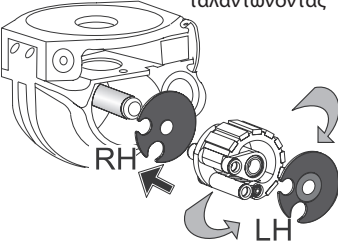
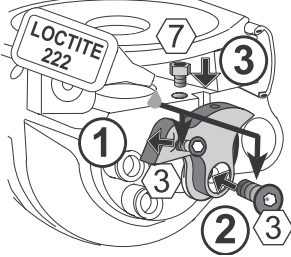

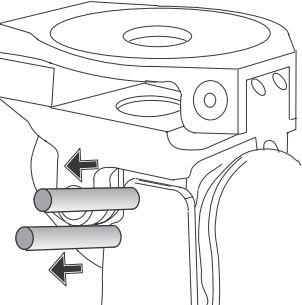
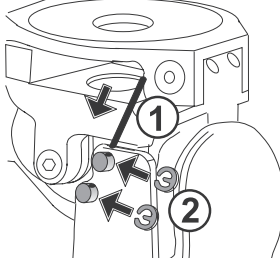

10.3 Αφαίρεση του μηχανισμού ESK+

Οι οδηγίες της ενότητας αυτής προορίζονται μόνο για χρήση από ιατρούς.



10.4 Αντικατάσταση του μηχανισμού ESK+

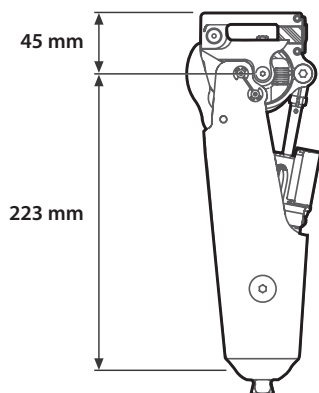
Οι οδηγίες της ενότητας αυτής προορίζονται μόνο για χρήση από ιατρούς.

<p>1</p>  <p>Στρέψτε την πλευρική πλάκα προς τα πάνω, ώστε να ευθυγραμμιστεί η σχισμή στην άτρακτο (2) με τον πείρο (1), χωρίς όμως να την τοποθετήσετε σε αυτό το στάδιο.</p>	<p>2</p>  <p>Βιδώστε την άτρακτο στο πλαίσιο.</p>	
<p>3</p> <p>Συναρμολογήστε ταλαντώνοντας</p>  <p>Ο ΠΡΟΣΑΝΑΤΟΛΙΣΜΟΣ ΕΙΝΑΙ ΣΗΜΑΝΤΙΚΟΣ! Συναρμολογήστε τις επίπεδες πλευρές με τις ενδείξεις (RH, LH) να κοιτούν προς τα μέσα.</p>	<p>4</p>  <p>7</p> <p>3</p> <p>1</p> <p>2</p> <p>3</p>	<p>5</p>  <p>STP Oil Treatment</p>
<p>6</p> 	<p>7</p>  <p>1</p> <p>2</p>	<p>8</p> <p>Εφαρμόστε ξανά την προ-φόρτιση, με τόσα κλικ όσα καταγράφηκαν προηγουμένως.</p> <p>Κάτω όψη του πλαισίου.</p> <p>2.5</p> 

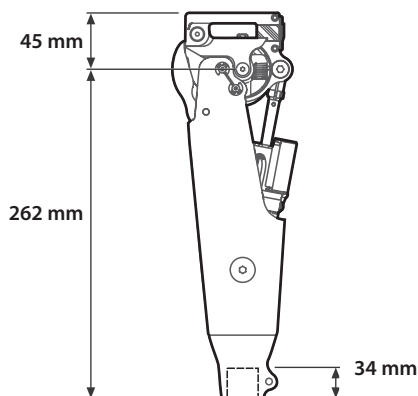
11 Τεχνικά στοιχεία

Εύρος τιμών θερμοκρασίας χειρισμού και φύλαξης:	-15 °C έως 50 °C
Βάρος εξαρτημάτων:	
SmartIP	1,27 kg
PSPC	1,13 kg
Επίπεδο σωματικής δραστηριότητας:	2-3 (4)
Μέγιστο βάρος χρήστη:	
Επίπεδα σωματικής δραστηριότητας 2-3	125 kg
Επίπεδο σωματικής δραστηριότητας 4	100 kg
Μέγιστη γωνία κάμψης:	140°
Προσάρτημα εγγύς ευθυγράμμισης:	Μονός κοχλίας (Blatchford)
Περιφερικό προσάρτημα ευθυγράμμισης:	Σφιγκτήρας σωλήνα 30 mm ή αρσενική πυραμίδα (Blatchford)
Ύψος κατασκευής:	Βλ. παρακάτω διαγράμματα.

Μήκος προσαρμογής



ESK+ Stanceflex με
περιφερική πυραμίδα



ESK+ Stanceflex με σφιγκτήρα
περιφερικού σωλήνα 30 mm

12 Πληροφορίες παραγγελίας

Παράδειγμα παραγγελίας

	ESK+ με Stanceflex							
	Σφιγκτήρας περιφερικού σωλήνα 30 mm				Περιφερική πυραμίδα			
Πνευματικός κύλινδρος	ESK	SF	P	30	ESK	SF	P	PYR
	ESK+	Stanceflex	PSPC	Σφιγκτήρας περιφερικού σωλήνα 30 mm	ESK+	Stanceflex	PSPC	Περιφερική πυραμίδα
Γόνατο SmartIP	SMARTIP	SF	30	SMARTIP	SF	PYR		
	Γόνατο SmartIP	Stanceflex	Σφιγκτήρας περιφερικού σωλήνα 30 mm	Γόνατο SmartIP	Stanceflex	Περιφερική πυραμίδα		
Δεν έχει τοποθετηθεί κύλινδρος ελέγχου	ESK	SF	30	ESK	SF	PYR		
	ESK+	Stanceflex	Σφιγκτήρας περιφερικού σωλήνα 30 mm	ESK+	Stanceflex	Περιφερική πυραμίδα		

Ανταλλακτικά εξαρτήματα

Στοιχείο	Αρ. εξαρτ.
Συγκρότημα γόνατος Stanceflex	239149
Καρφίδα ευθυγράμμισης μηχανισμού ESK	234914
Τακάκι μπροστινού στοπ	234903
Κιτ μηχανισμού σταθεροποίησης ESK+	239949
Στοπ κνήμης	233810

Ελαστικό Stanceflex

Στοιχείο	Αρ. εξαρτ.
25° Ροζ (Μαλακό)	231608
35° Λευκό	231606
45° Πορτοκαλί (Τοποθετείται ως στάνταρ)	231607
70° Μπλε (Σκληρό)	231609

Ευθύνη

Ο κατασκευαστής συνιστά τη χρήση της συσκευής μόνο υπό τις καθορισμένες συνθήκες και για τους προβλεπόμενους σκοπούς. Η συσκευή πρέπει να συντηρείται σύμφωνα με τις οδηγίες χρήσης που συνοδεύουν τη συσκευή. Ο κατασκευαστής δεν φέρει ευθύνη για οποιοδήποτε δυσμενές αποτέλεσμα προκληθεί από συνδυασμούς εξαρτημάτων που δεν έχουν εγκριθεί από αυτόν.

Πιστότητα CE

Το προϊόν αυτό ικανοποιεί τις απαιτήσεις του Ευρωπαϊκού Κανονισμού (ΕΕ) 2017/745 περί ιατροτεχνολογικών προϊόντων. Το προϊόν αυτό έχει ταξινομηθεί ως ιατροτεχνολογικό προϊόν κατηγορίας Ι σύμφωνα με τους κανόνες ταξινόμησης που περιγράφονται στο παράρτημα VIII του κανονισμού. Η δήλωση πιστότητας ΕΕ διατίθεται στην ακόλουθη διεύθυνση στο Internet: www.blatchford.co.uk



Ιατροτεχνολογικό προϊόν



Πολλαπλή χρήση – σε έναν μόνο ασθενή

Συμβατότητα

Ο συνδυασμός με προϊόντα επωνυμίας Blatchford εγκρίνεται βάσει δοκιμών σύμφωνα με τα σχετικά πρότυπα και την οδηγία περί των ιατροτεχνολογικών προϊόντων, συμπεριλαμβανομένων δομικών δοκιμών, συμβατότητας διαστάσεων και παρακολουθούμενης απόδοσης πεδίου.

Ο συνδυασμός με εναλλακτικά προϊόντα με σήμανση CE πρέπει να πραγματοποιείται βάσει τεκμηριωμένης επιτόπιας αξιολόγησης κινδύνου που έχει διεξαχθεί από ιατρό.

Εγγύηση

Η συσκευή αυτή καλύπτεται από εγγύηση για 24 μήνες, η ταινία φρένου για 12 μήνες.

Ο χρήστης πρέπει να ενημερώνεται ότι οι αλλαγές ή οι τροποποιήσεις που δεν έχουν εγκριθεί ρητά ενδέχεται να ακυρώσουν την εγγύηση, τις άδειες λειτουργίας και τις εξαιρέσεις.

Ανατρέξτε στον ιστότοπο Blatchford για την τρέχουσα πλήρη δήλωση εγγύησης.

Αναφορά σοβαρών περιστατικών

Στην απίθανη περίπτωση που προκύψει κάποιο σοβαρό περιστατικό σε σχέση με τη συσκευή αυτή, αυτό θα πρέπει να αναφερθεί στον κατασκευαστή και τις αρμόδιες εθνικές αρχές.

Θέματα περιβάλλοντος

Το προϊόν αυτό περιέχει υδραυλικό λάδι, ανάμικτα μέταλλα και πλαστικά. Όπου αυτό είναι δυνατόν, τα εξαρτήματα θα πρέπει να ανακυκλώνονται σύμφωνα με τους τοπικούς κανονισμούς χειρισμού αποβλήτων.

Διατήρηση της ετικέτας συσκευασίας

Συνιστάται στον ιατρό να διατηρεί την ετικέτα της συσκευασίας ως αρχείο της παρεχόμενης συσκευής.

Καταχωρημένη διεύθυνση κατασκευαστή

Blatchford Products Limited, Lister Road, Basingstoke RG22 4AH, Ηνωμένο Βασίλειο.

Αναγνωρίσεις εμπορικών σημάτων

Η ονομασία Blatchford είναι σήμα κατατεθέν της Blatchford Products Limited.

Saturs.....	128
1 Apraksts un paredzētais mērķis	129
2 Drošības informācija	131
3 Uzbūve	132
4 Funkcija.....	133
5 Apkope.....	133
6 Lietošanas ierobežojumi.....	134
7 Stenda salāgošana	135
8 Ieteikumi salāgošanai un stabilitātes regulēšana.....	136
9 Pielāgošanas ieteikumi.....	137
9.1 Stanceflex kaučuka daļu nomaiņa	137
9.2 Priekšējās aizzures regulēšana — regulējama rēdze	138
9.3 Papildu regulēšana	139
10 Salikšanas norādījumi	140
10.1 Priekšējās aizzures bufera nomaiņa	140
10.2 Apakšstilba aizzuru nomaiņa	140
10.3 ESK+ mehānisma noņemšana	141
10.4 ESK+ mehānisma nomaiņa.....	142
11 Tehniskie dati	143
12 Pasūtīšanas informācija.....	144

1 Apraksts un paredzētais mērķis

Šī lietošanas pamācība ir paredzēta speciālistam un lietotājam, ja vien nav norādīts citādi.

Termins "ierīce" šajā lietošanas pamācībā tiek lietots, lai apzīmētu Stanceflex ESK+ izstrādājumus.

Lūdzu, izlasiet un pārliecinieties, ka izprotat visu lietošanas pamācību — it īpaši visu informāciju par drošību un apkopes norādījumus.

Pielietojums

Šī ierīce ir jālieto tikai kā apakšējo ekstremitāšu protēzes daļa.

Šī ierīce paredzēta tikai vienam lietotājam.

Šī ierīce ir vienas ass, svara aktivizēts stabilizēts celis ar integrētu stājas fleksijas elementu un ir paredzēts, lai uzlabotu drošību un samazinātu kompensāciju.

Apakšstilbu iespējams aprīkot ar PSPC (Pneumatic Swing Phase Control — pneimatiskā vēziena fāzes kontrole) vai SmartIP (Smart Intelligent Prosthesis — viedā intelektiskā protēze) vēziena fāzes kontroli vai arī piegādāt bez cilindra.

Kaučuka detaļa ceļa šasijas aizmugurē nodrošina papildu fleksiju stājas laikā.

Funkcijas

	Manuāli regulējama PSPC	Mikroprocesora kontrolēta SmartIP
Fleksija stājas laikā, ja protēze tiek noslogota.	✓	✓
Izturīgs oglekļa šķiedru karkass	✓	✓
140° ceļa fleksija	✓	✓
Regulējama ceļa stabilitāte	✓	✓
Neatkarīga manuāli regulējama vēziena kontrole izstiepšanai un fleksijai	✓	
Mikroprocesora kontrolēta vēziena kontrole fleksijas laikā ar manuāli regulējamu galīgā trieciena mazināšanu izstiepšanas fāzē.		✓

Aktivitātes līmenis

Šī ierīce ir piemērota lietotājiem ar 2., 3. un 4. aktivitātes līmeni (pastāv ķermeņa masas ierobežojumi; skatiet sadaļu *Tehniskie dati*).

Šī ierīce var nebūt piemērota lietotājiem ar 1. aktivitātes līmeni vai izmantošanai sporta sacensībās. Šādiem lietotājiem vairāk piemērota ir viņu vajadzībām optimizēta, speciāli izstrādāta protēze.

1. aktivitātes līmenis

Spēj vai ir potenciāls izmantot protēzi, lai pārvietotos ar palīdzību vai staigātu pa līdzenu virsmu fiksētā tempā. Tipiski personai, kura spēj staigāt ar vai bez ierobežojumiem.

2. aktivitātes līmenis

Spēja vai potenciāls staigāt ar spēju šķērsot nelielas vides barjeras, piemēram, ietves malas, kāpnes vai nelīdzenas virsmas. Tipiski cilvēkam, kas pārvietojas ar ierobežojumiem ārpus mājām.

3. aktivitātes līmenis

Spēja vai potenciāls pārvietoties ar mainīgu tempu. Tipiski cilvēkam, kurš var neatkarīgi pārvietoties ārpus mājas, šķērsojot lielāko daļu vides barjeru, un kuram var būt profesionālā, terapeitiskā vai fiziskā aktivitāte, kam nepieciešama protēzes izmantošana, kas pārsniedz parastu pārvietošanos.

4. aktivitātes līmenis

Spēja vai potenciāls staigāt, kas pārsniedz parastās pārvietošanās ar protēzi prasmes, pieļaujot augstu triecienu, stresa vai enerģijas pakāpi. Tipiski bērnu, aktīvu pieaugušo vai sportistu protezēšanas vajadzībām.

Klīniskie ieguvumi

- Svāra aktivizēta stājas kontrole un pielāgojama vēzienu kontrole nodrošina vienmērīgu, drošu gaitu ar brīvu celi.
- Stanceflex uzlabo triecienu absorbciju.
- Mikroprocesora vēzienu kontrole ļauj sasniegt optimizētu gaitu lielā iešanas tempu diapazonā. (Tikai SmartIP.)

Kontrindikācijas

Šī ierīce nav piemērota šādiem lietotājiem:

- Lietotājiem ar ārkārtēju muskuļu vājumu, kontraktūrām, kuras nevar pareizi pielāgot, vai proprioceptīvām disfunkcijām, tostarp sliktu līdzsvaru.
- Lietotājiem ar kontralaterālās locītavas nestabilitāti vai patoloģiju.
- Lietotājiem ar sarežģītiem traucējumiem, kas saistīti ar daudzu funkciju zudumu.
- Lietotājiem, tostarp personām ar virsceļa amputāciju abām kājām, kam nepieciešama ceļa pakļaušanās, lai varētu kāpt lejā pa kāpnēm vai sēdēt. Tādējādi ir iespējami bremžu mehānisma bojājumi, kas var negatīvi ietekmēt stabilitāti un izturību.




Pirms šīs ierīces lietošanas lietotājiem jāveic gaitas apmācība.





Pārliecinieties, ka lietotājs ir izpratis visu lietošanas pamācību, īpašu uzmanību pievēršot sadaļai par apkopi un drošības informācijas sadaļām.


2 Drošības informācija


 Šis brīdinājuma simbols norāda svarīgu informāciju par drošību.


 Vienmēr apzinieties pirkstu iespiešanas bīstamību.


 Par jebkādām veiktspējas vai ekstremitātes funkcionēšanas izmaiņām, piem., nestabilitāti, dublējošu darbību, ierobežotu kustību, nevienmērīgu kustību vai neparastiem trokšņiem, nekavējoties ziņojiet savam pakalpojumu sniedzējam.


 Ejot pa kāpnēm lejā un jebkurā citā laikā vienmēr izmantojiet kāpņu margas, kad tās ir pieejamas.


 Jebkuras pārmērīgas papēža augstuma izmaiņas pēc salāgošanas pabeigšanas var nelabvēlīgi ietekmēt ekstremitāšu darbību.


 Pārliecinieties, ka braukšanas laikā tiek izmantoti tikai atbilstoši aprīkoti transportlīdzekļi. Visām personām, vadot mehāniskos transportlīdzekļus, ir jāievēro attiecīgie satiksmes noteikumi.

 Smagas slodzes gadījumos jāievēro piesardzība, jo tā var nelabvēlīgi ietekmēt ierīces stabilitāti.

 Ja mainās ierīces stāvoklis, lietotājam ieteicams sazināties ar speciālistu.

 Izvairieties no pārmērīga karstuma un/vai aukstuma iedarbības.

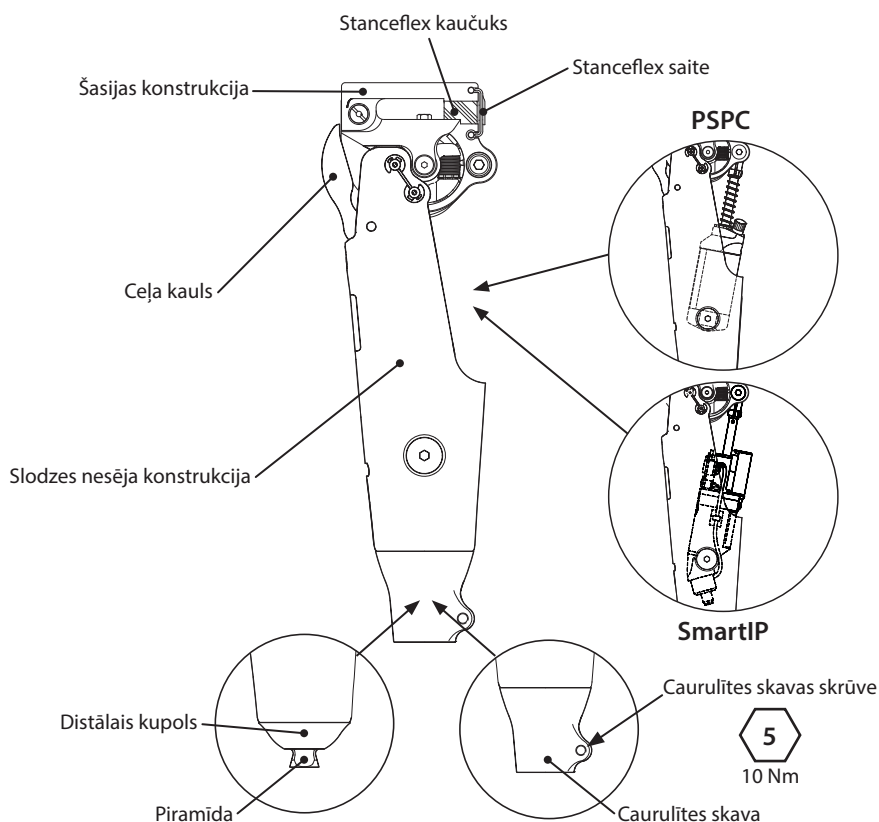
 Ierīces montāžu, apkopi un remontu drīkst veikt tikai atbilstoši kvalificēts ārsts.

 Šī ierīce nav paredzēta lietošanai, ja iegremdēta ūdenī, vai kā protēze dušai. Ja ekstremitāte nokļūst saskarē ar ūdeni, nekavējoties noslaukiet sausu.

3 Uzbūve

Galvenās daļas

- Nesējkonstrukcija Oglekļa šķiedru kompozīts un nerūsējošais tērauds
- Šasijas konstrukcija Alumīnija sakausējums, nerūsējošais tērauds, tehniskā termoplastiskā plastmasa, šķiedru pastiprināts (azbestu nesaturošs) berzes materiāls.
- Distālais kupols Alumīnija sakausējums
- Distālā piramīda Titāns ar nerūsējošā tērauda skrūvi
- Distālā caurulītes skava Alumīnija sakausējums
- Ceļa kauls Tehniskā termoplastiskā plastmasa
- Stanceflex kaučuks Dabiskais kaučuks
- Stanceflex saite Kevlar
- PSPC Alumīnija sakausējums, nerūsējošais tērauds, titāns, tehniskā termoplastiskā plastmasa
- SmartIP Alumīnija sakausējums, nerūsējošais tērauds, titāns, tehniskā termoplastiskā plastmasa
Elektroniskie komponenti, baterijas



4 Funkcija

Šis celis ir vienas ass konstrukcija, kurā ietilpst ceļa šarnīrs, kas savieno šasiju ar slodzes nesēju. Svāra aktivizēts stabilizējošs ceļa mehānisms ir ievietots šasijā. Ceļa šasijai ir šarnīrsavienojuma augšējā plāksne ar izturīgu kaučuka bloka balstu; tas nodrošina fleksiju stājas laikā, kad ekstremitāte ir noslogota, un absorbē triecienu kustībā no papēža.

Ceļa kontroles cilindrs atrodas šajā rāmja konstrukcijā starp šasijas aizmugurējo viru un slodzes nesēja distālo šarnīru.

PSPC cilindram ir manuāli regulējami vārsti, kas nodrošina fleksijas un izstiepšanas pretestību vēzienu fāzes laikā.

The SmartIP kontroles cilindrs izmanto sensorus cilindra iekšpusē, lai kontrolētu iešanas tempu un automātiski atbilstoši pielāgotu fleksijas pretestību. Izstiepšana tiek kontrolēta, fiksēti regulējot galīgā trieciena mazinātāju.

5 Apkope

Regulāri vizuāli pārbaudiet ierīci.

Ziņojiet speciālistam/pakalpojumu sniedzējam par jebkādam izmaiņām šīs ierīces veiktspējā, piem., neparastiem trokšņiem, palielinātu stīvumu vai ierobežotu/pārmērīgu rotāciju, nozīmīgu nolietojumu vai pārmērīgu krāsas maiņu, kas radusies ilgstošas UV staru iedarbības rezultātā.

Informējiet speciālistu/pakalpojumu sniedzēju par jebkādam ķermeņa masas un/vai aktivitātes līmeņa izmaiņām.

Tīrīšana

Izmantojiet mitru drānu un vieglu ziepjūdeni, lai notīrītu ārējās virsmas. NEIZMANTOJIET agresīvus tīrīšanas līdzekļus.

Turpmākie šajā sadaļā esošie norādījumi paredzēti tikai speciālistam.

Šo apkopi drīkst veikt tikai kompetents personāls (speciālists vai atbilstoši apmācīts tehniķis).

Lai saglabātu optimālu veiktspēju, periodiski jāveic pārbaude, lai noteiktu, vai nav radies nepieņemams trokšnis un kustīgums un vai nav pasliktinājies stabilitāte. Laiku starp pārbaudēm nosaka tādi faktori kā lietotāja aktivitāte, lietošanas biežums un ceļa stabilitātes iestatījumi.

Atsaucei: ja iestatījums ir 6 klikšķi vai lielāks un lietotājs gadā veic 600 000 soļu, pārbaudi ieteicams veikt reizi gadā.

Ja stabilitātes iestatījums ir mazāks par 6 klikšķiem un/vai lietotājs izmanto soļu skaitu, kas mazāks par vidējo, laiks starp pārbaudēm var būt ilgāks.

Ieteicams izmantot ekstremitāšu aktivitātes monitoru, lai noteiktu soļu skaitu.

Lai nodrošinātu optimālu stabilitāti un izturību, mēs iesakām regulēt celi individuāla vajadzībām atbilstošajai stabilitātei. Skatīt regulēšanas/plūsmas diagrammu.

Šajās pārbaudēs:

- Pārbaudiet, vai nav vizuālu defektu, kas var ietekmēt pareizu darbību.
- Pārbaudiet, vai nav vērojama šasijas M-L brīvkustība un pārmērīga Stanceflex kaučuka kompresija. Ja nepieciešams, nomainiet gultnus un Stanceflex kaučuku.
- Pārbaudiet priekšējo aizmuri un nomainiet, ja nepieciešams.
- Pārbaudiet apakšstilba aiztures un nomainiet, ja nepieciešams.
- Izjauciet, notīriet un atkārtoti samontējiet ceļa mehānismu.

Norādiet lietotājam, ka ir ieteicama regulāra vizuāla ierīces pārbaude un gadījumā, ja tiek konstatētas jebkādas izmaiņas ierīces veiktspējā, par to ir jāziņo speciālistam. Izmaiņas veiktspējā var ietvert ceļa stingruma palielināšanos vai samazināšanos, nestabilitāti, samazinātu ceļa atbalstu (brīvkustību) un jebkādu neparastu troksni.

Ja šo ierīci izmanto ekstrēmām aktivitātēm, tehniskās apkopes līmenis un intervāls ir jāpārskata un, ja nepieciešams, jālūdz padoms un tehniskais atbalsts, lai plānotu jaunu tehniskās apkopes grafiku atkarībā no darbību biežuma un rakstura. Tas jānosaka vietējā riska novērtējumā, ko veic atbilstoši kvalificēta persona.

Uzglabāšana un rīkošanās

Uzglabājot ilgstoši, ierīce jātur sausumā un temperatūrā no -15 °C līdz 50 °C.

Izmantojiet komplektā iekļauto izstrādājuma iepakojumu.

6 Lietošanas ierobežojumi

Paredzētais kalpošanas laiks

Jāveic vietējs riska novērtējums, pamatojoties uz aktivitāti un lietojumu.

Celšanas slodzes

Lietotāja ķermeņa masu un aktivitāti regulē noteiktie ierobežojumi.

Lietotāja slodzei jāatbilst vietējā riska novērtējumā noteiktajai.

Vide

Izvairieties no ierīces pakļaušanas kodīgas vides, piemēram, ūdens, skābju un citu šķidrumu, iedarbības. Izvairieties arī no abrazīvām vidēm, piemēram, tām, kas satur smiltis, jo tās var veicināt priekšlaicīgu nodilumu.

Lietot tikai temperatūrā no -15 °C līdz 50 °C



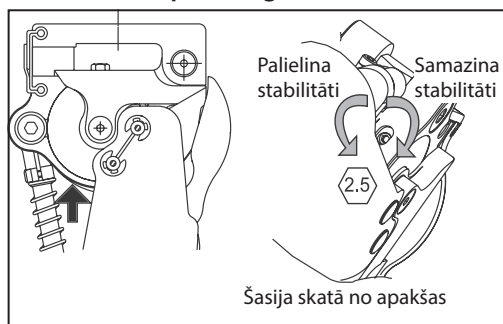
Piemērota lietošanai ārā

7 Stenda salāgošana

Šajā sadaļā esošie norādījumi paredzēti tikai speciālistam.

Staigāšanas izmēģinājumi

Atsperes regulators



Pilnībā nostiepta ekstremitāte, lai piekļūtu regulatoram.

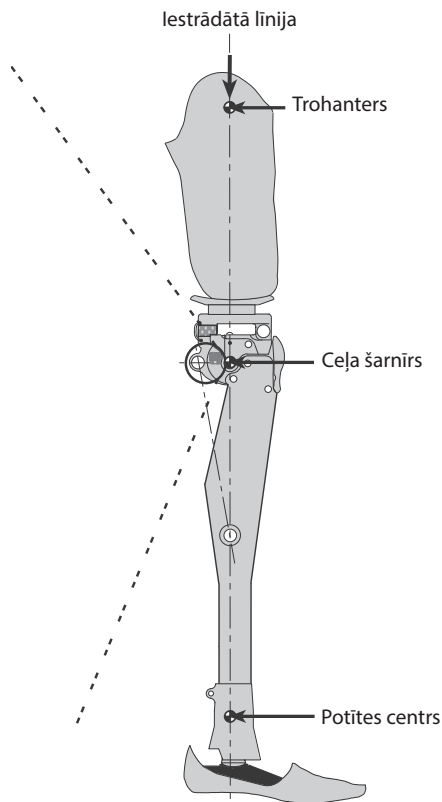
Pagrieziet ATSPERES REGULATORU, lai personai, kurai ir veikta amputācija, sasniegtu nepieciešamo stabilitāti.

Piezīme... Regulēšanas laikā jābūt dzirdamiem klikšķiem, un regulators ir pašfiksējošs.

Savelciet ATSPERES REGULATORU, lai samazinātu stabilitāti.

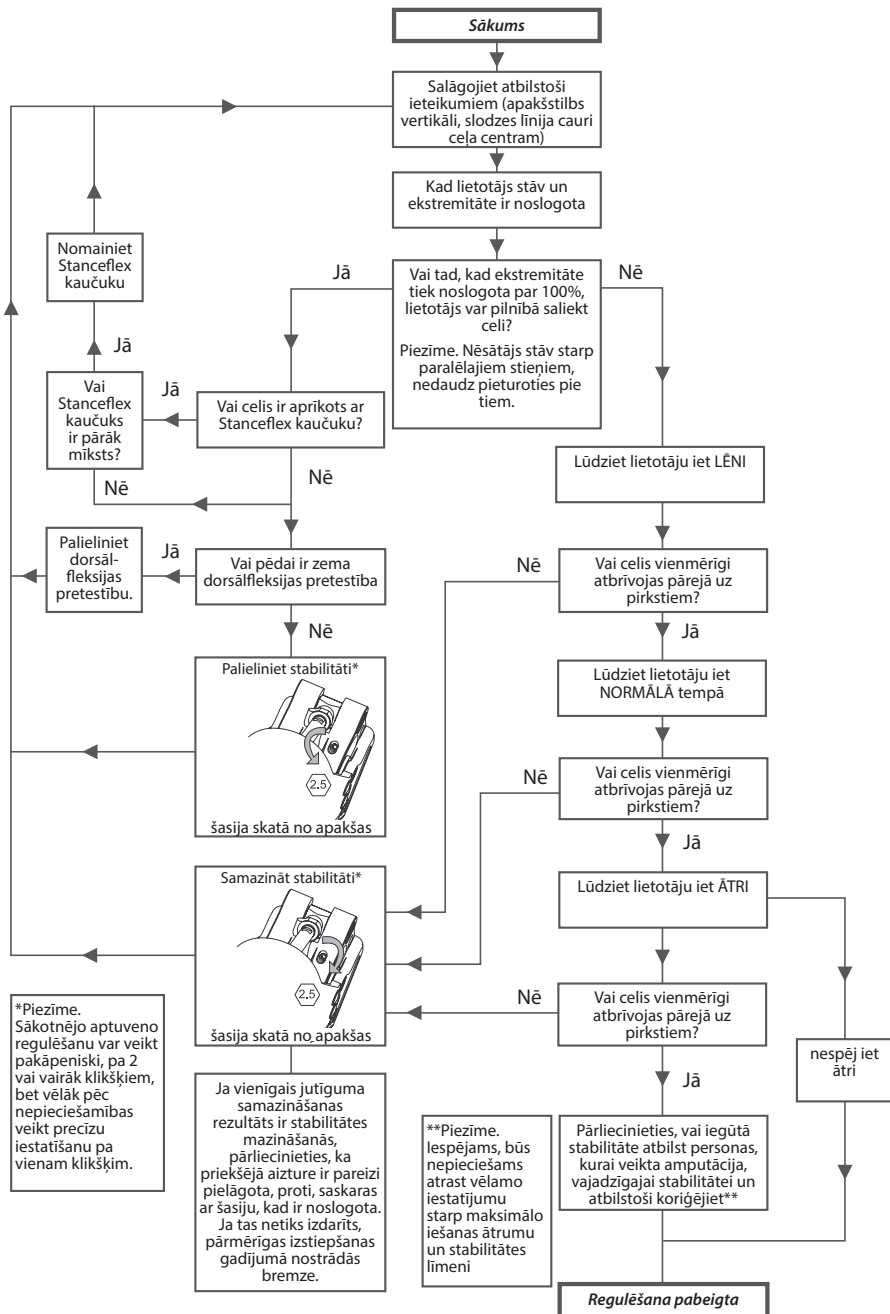
Atbrīvojiet ATSPERES REGULATORU, lai palielinātu stabilitāti (skatīt iepriekš).

Ja nepieciešams, regulatoru var atiestatīt atbilstoši rūpnīcas iestatījumiem. To var paveikt, samazinot stabilitāti par 6 dzirdamiem klikšķiem no maksimālā stabilitātes iestatījuma.



8 Ieteikumi salāgošanai un stabilitātes regulēšana

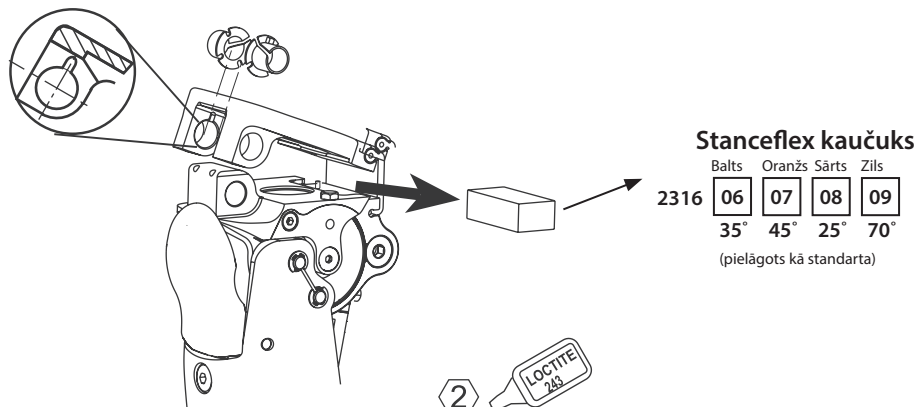
Šajā sadaļā esošie norādījumi paredzēti tikai speciālistam.



9 Pielāgošanas ieteikumi

Šajā sadaļā esošie norādījumi paredzēti tikai speciālistam.

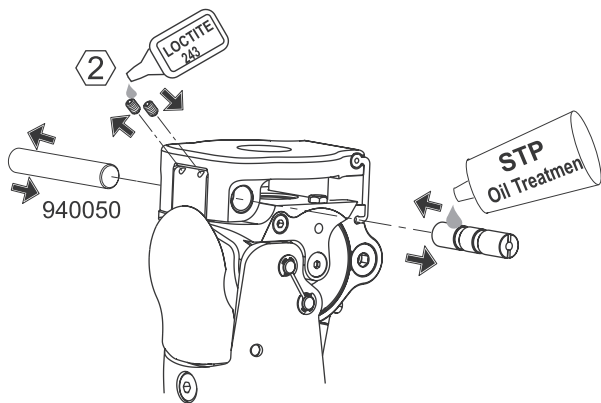
9.1 Stanceflex kaučuka daļu nomaiņa



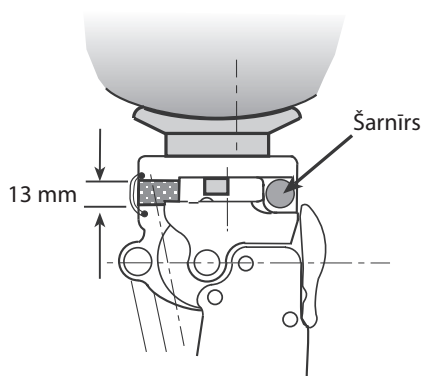
Stanceflex kaučuks

	Balts	Oranžs	Sārns	Zils
2316	06	07	08	09
	35°	45°	25°	70°

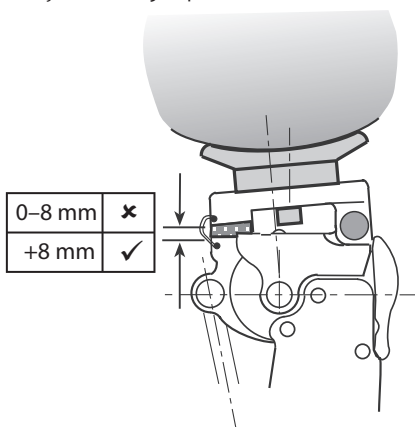
(pielāgots kā standarta)



Statisks



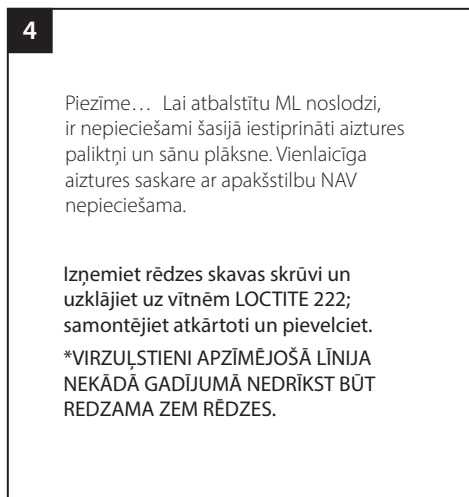
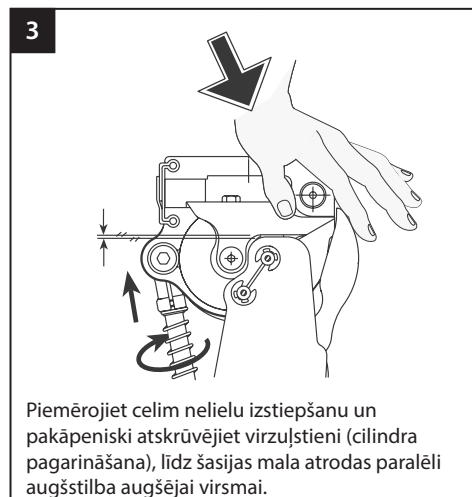
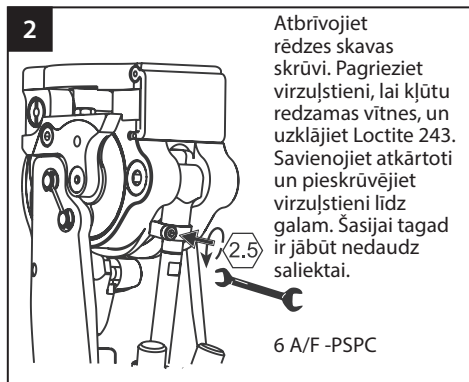
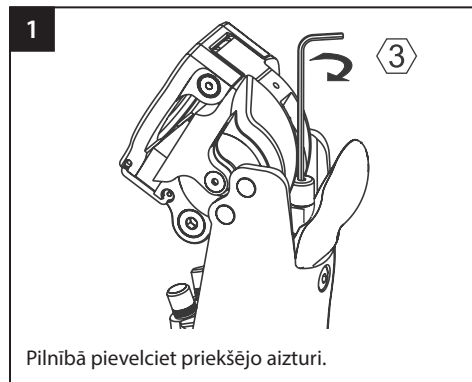
Ceļa fleksija pēc kustības no papēža



9.2 Priekšējās aizes regulēšana — regulējama rēdze

Šajā sadaļā esošie norādījumi paredzēti tikai speciālistam.

Pielāgots PSPC



Priekšējās aizes pielāgošana — neregulējama viedā protēze

(Vecākiem SmartIP modeļiem.)

Lietojot šos cilindrus, pielāgošana nav nepieciešama. Tiem ir nepieciešama priekšējā aizture, lai viss būtu pilnībā pievilks, kā parādīts 1. darbībā.

9.3 Papildu regulēšana

Šajā sadaļā esošie norādījumi paredzēti tikai speciālistam.

Simptoms	Risinājums
Celis netiek stabilizēts	Palielināt jutīgumu
	Pārvietot uznavu uz priekšu
	Nomainīt stabilizējošo mehānismu, ja ir bojāta bremžu aizmugurējā mala
	Pārbaudīt Stanceflex kaučuku un nomainīt, ja nepieciešams (Minimālo biežumu saspiestā stāvoklī skatiet sadaļā <i>Ceļa fleksija pēc kustības no papēža.</i>)
Celis netiek atbrīvots	Samazināt jutīgumu
	Pārbaudīt, vai virzuļstieņa garums ir pareizs
	Pārvietot uznavu uz aizmuguri
Papēža pacelšanās vāziņa laikā ir pārāk augsta	Skatīt kontroles cilindra lietošanas pamācību
Papēža pacelšanās vāziņa laikā ir pārāk zema	Skatīt kontroles cilindra lietošanas pamācību
Lietotājs jūt galīgo triecienu	Skatīt kontroles cilindra lietošanas pamācību
Ierīce pilnībā neizstiepjās vāziņa laikā	Skatīt kontroles cilindra lietošanas pamācību

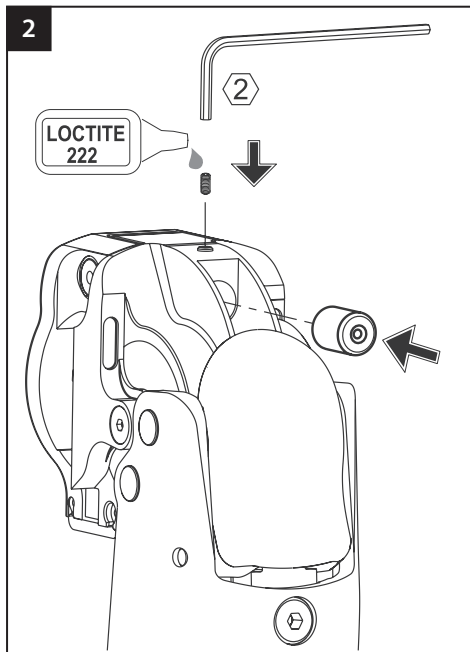
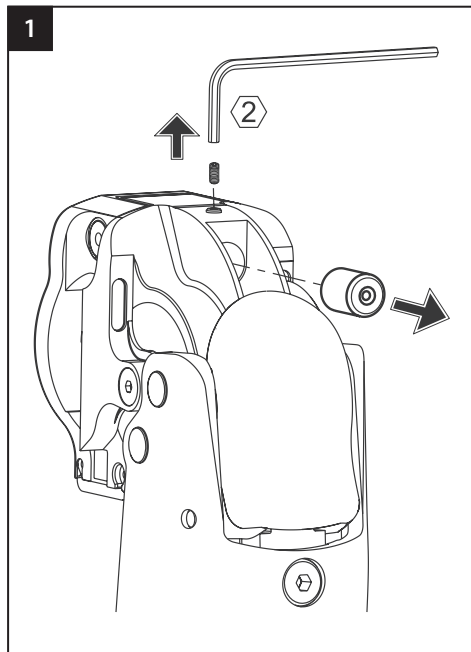
Ja pēc šo norādījumu izpildes funkcionalitātes problēmas joprojām pastāv, lūdz, sazinieties ar pārdošanas komandu savā apgabalā, lai saņemtu palīdzību.

10 Salikšanas norādījumi

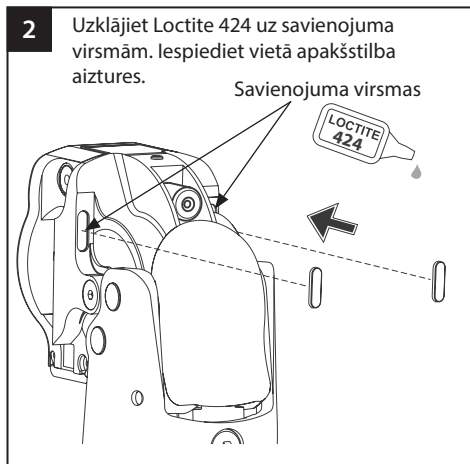
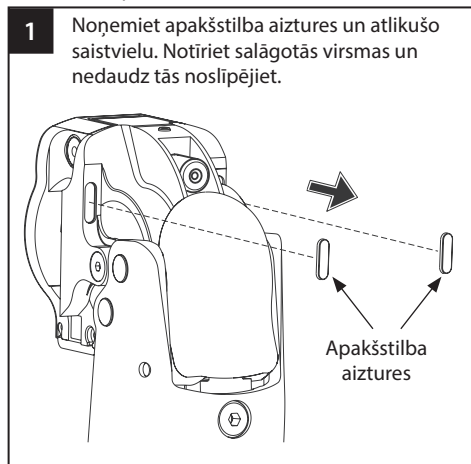
Šajā sadaļā esošie norādījumi paredzēti tikai speciālistam.

10.1 Priekšējās aizes bufera nomaīņa

Ievietojot jaunu priekšējo aizeru, vienmēr veiciet regulēšanu un, ja piemērojams, pārbaudiet cilindra garumu, ja tam ir regulējama rēdze. (Skatiet iepriekšējo lapu.)

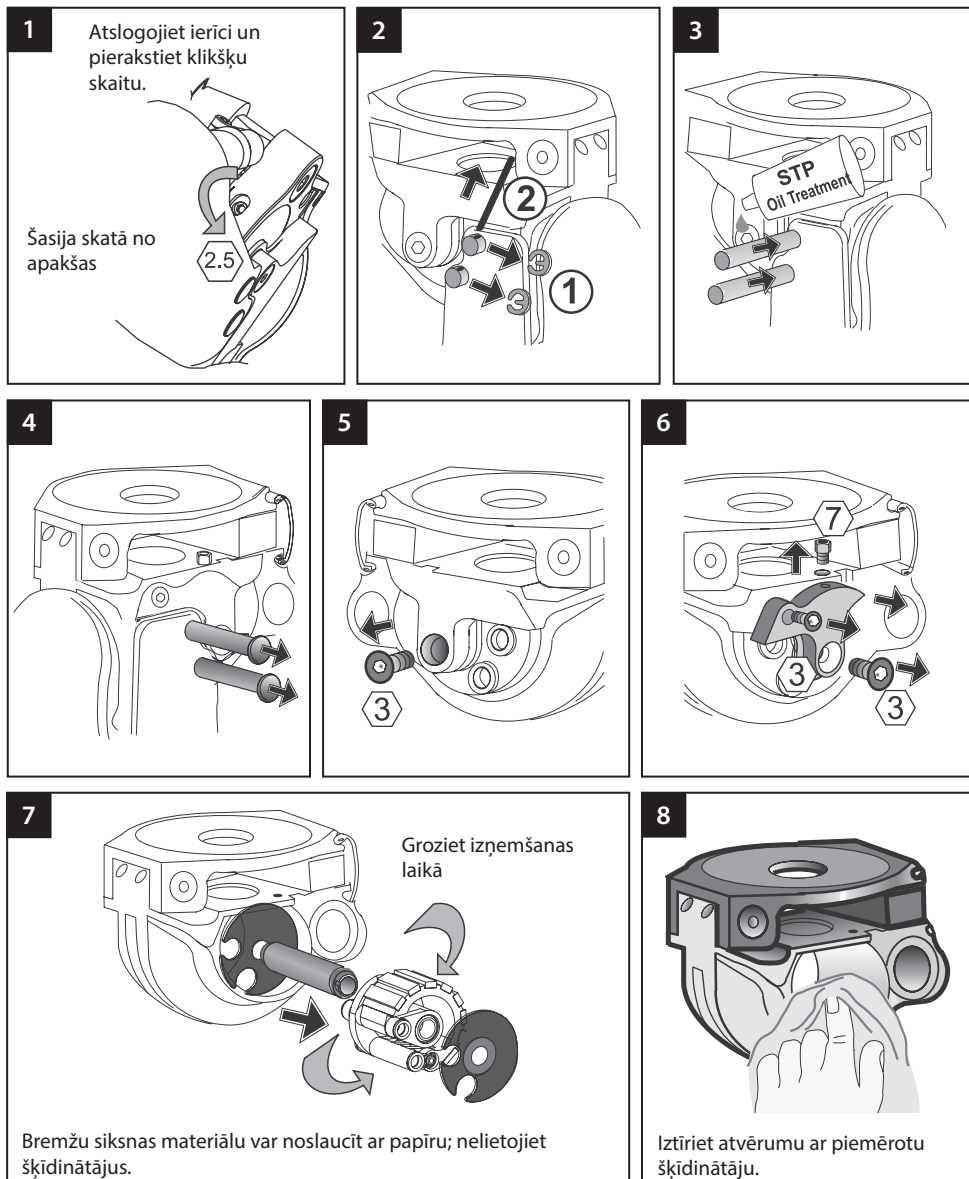


10.2 Apakšstilba aizeru nomaīņa



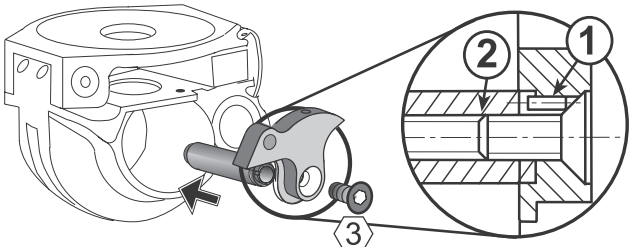
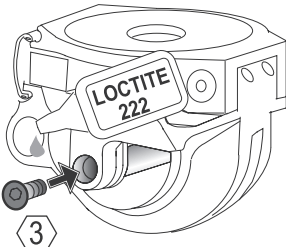
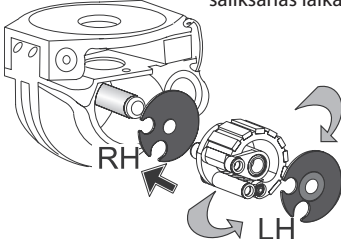
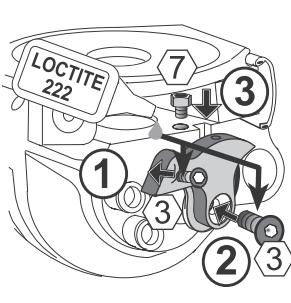

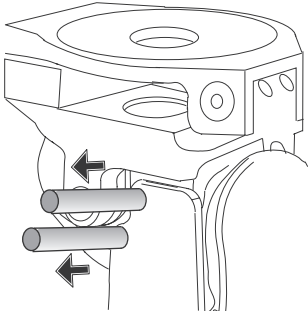
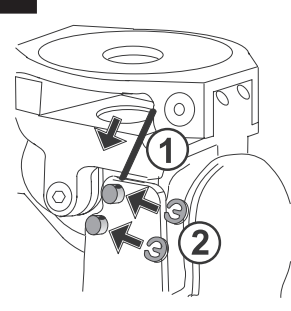

10.3 ESK+ mehānisma noņemšana

Šajā sadaļā esošie norādījumi paredzēti tikai speciālistam.



10.4 ESK+ mehānisma nomaiņa

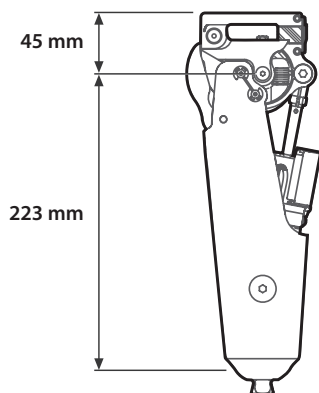
Šajā sadaļā esošie norādījumi paredzēti tikai speciālistam.

<p>1</p>  <p>Izmantojiet sānu plāksni, lai salāgotu spraugu vārpstā (2) ar dībeli (1), bet vēl neregulējiet.</p>	<p>2</p>  <p>Pieskrūvējiet šaijai vārpstu.</p>	
<p>3</p> <p>Groziet salikšanas laikā</p>  <p>ORIENTĀCIJA IR SVARĪGA! Savienojiet plakanās virsmas; burtiem (RH, LH) ir jābūt vēršiem uz iekšpusi.</p>	<p>4</p>  <p>Šajā skatā no apakšas.</p>	<p>5</p>  <p>Šajā skatā no apakšas.</p>
<p>6</p>  <p>Šajā skatā no apakšas.</p>	<p>7</p>  <p>Šajā skatā no apakšas.</p>	<p>8</p> <p>Atjaunojiet iepriekšējo slodzi ar pierakstīto klikšķu skaitu.</p>  <p>Šajā skatā no apakšas.</p>

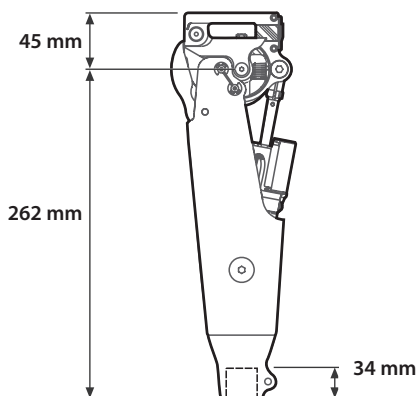
11 Tehniskie dati

Darbības un uzglabāšanas temperatūras diapazons:	no -15 °C līdz 50 °C
Komponenta svars:	
SmartIP	1,27 kg
PSPC	1,13 kg
Aktivitātes līmenis:	2.–3. (4)
Maks. lietotāja ķermeņa masa:	
2.–3. aktivitātes līmenis	125 kg
4. aktivitātes līmenis	100 kg
Maksimālais saliekšanas leņķis:	140°
Proksimālā noregulējuma pievienošana:	Viena skrūve (Blatchford)
Distālā noregulējuma pievienošana:	30 mm caurulītes skava vai spraudņa tipa piramīda (Blatchford)
Konstrukcijas augstums:	Skatiet diagrammu tālāk.

Uzstādīšanas garums



**ESK+ Stanceflex ar distālo
piramīdu**



**ESK+ Stanceflex ar 30 mm
distālo caurulītes skavu**

12 Pasūtīšanas informācija

Pasūtījuma piemērs

	ESK+ ar Stanceflex							
	Distālā 30 mm caurulītes skava				Distālā piramīda			
Pneimatis- kais cilindrs	ESK	SF	P	30	ESK	SF	P	PYR
	ESK+	Stanceflex	PSPC	Distālā caurulītes skava 30 mm	ESK+	Stanceflex	PSPC	Distālā piramīda
SmartIP celis	SMARTIP	SF	30	SMARTIP	SF	PYR		
	SmartIP Celis	Stanceflex	Distālā caurulītes skava 30 mm	SmartIP celis	Stanceflex	Distālā piramīda		
Kontroles cilindrs nav pievienots	ESK	SF	30	ESK	SF	PYR		
	ESK+	Stanceflex	Distālā caurulītes skava 30 mm	ESK+	Stanceflex	Distālā piramīda		

Rezerves daļas

Vienība	Daļas Nr.
Stanceflex ceļa konstrukcija	239149
ESK mehānisma salāgošanas tapa	234914
Priekšējās aiztures paliktnis	234903
ESK+ stabilizējošā mehānisma komplekts	239949
Apakšstilba aizture	233810

Stanceflex kaučuks

Vienība	Daļas Nr.
25° sārtā (mīksta)	231608
35° balta	231606
45° oranža (izmantota kā standarta)	231607
70° zila (cieta)	231609

Atbildība

Ražotājs iesaka izmantot ierīci tikai noteiktos apstākļos un paredzētajiem mērķiem. Ierīces apkope ir jāveic saskaņā ar komplektācijā iekļauto lietošanas pamācību. Ražotājs nav atbildīgs par negatīviem rezultātiem, ko izraisa neatļautas komponentu kombinācijas.

CE atbilstība

Šis izstrādājums atbilst Eiropas Regulai ES 2017/745, kas attiecas uz medicīniskajām ierīcēm. Šis izstrādājums ir klasificēts kā I klases produkts saskaņā ar klasifikācijas kritērijiem, kas izklāstīti Regulas VIII pielikumā. ES atbilstības deklarācijas sertifikāts pieejams tīmekļa vietnē www.blatchford.co.uk



Medicīniskā ierīce



Viens pacients — atkārtota lietošana

Saderība

Kombinācija ar Blatchford zīmola izstrādājumiem ir apstiprināta, pamatojoties uz testēšanu saskaņā ar attiecīgajiem standartiem un MDR, tostarp attiecībā uz konstrukcijas pārbaudi, izmēru saderību un uzraudzītu lauka veiktspēju.

Kombinēšana ar alternatīviem CE marķētiem izstrādājumiem jāveic, ņemot vērā dokumentētu vietējā riska novērtējumu, ko izpilda speciālists.

Garantija

Šai ierīcei tiek piešķirta 24 mēnešu garantija, bremzes siksnai — 12 mēnešu garantija.

Lietotājam ir jāapzinās, ka izmaiņas vai pārveidojumi, kas nav skaidri apstiprināti, var anulēt garantiju, darbības licences un izņēmumus.

Pilnīgu pašreizējo garantijas paziņojumu skatiet Blatchford tīmekļa vietnē.

Ziņošana par nopietniem negadījumiem

Ja rodas nopietns negadījums, kas saistīts ar šo ierīci un kas ir maz ticams, par to jāziņo ražotājam un valsts kompetentajai iestādei.

Vides aspekti

Šis izstrādājums satur hidraulisko eļļu, jauktus metālus un plastmasu. Ja iespējams, komponenti jāpārstrādā saskaņā ar vietējiem atkritumu apstrādes noteikumiem.

Iepakojuma etiķetes saglabāšana

Speciālistam ieteicams glabāt iepakojuma etiķeti atsaucei par piegādāto ierīci.

Ražotāja reģistrētā adrese

Blatchford Products Limited, Lister Road, Basingstoke RG22 4AH, Apvienotā Karaliste.

Paziņojumi par preču zīmēm

Blatchford ir uzņēmuma Blatchford Products Limited reģistrēta preču zīme.

Turinys	146
1 Aprašas ir numatyta paskirtis.....	147
2 Saugos informacija	149
3 Konstrukcija.....	150
4 Veikimas.....	151
5 Priežiūra	151
6 Naudojimo apribojimai.....	152
7 Lygiavimas stende.....	153
8 Lygiavimo patarimai ir stabilumo reguliavimas.....	154
9 Pritaikymo patarimai.....	155
9.1 „Stanceflex“ gumos keitimas	155
9.2 Priekinio stabdiklio reguliavimas – reguliuojamasis kakliukas.....	156
9.3 Tolesnis reguliavimas.....	157
10 Surinkimo instrukcijos.....	158
10.1 Priekinio stabdiklio amortizatoriaus keitimas.....	158
10.2 Blauzdos komponento stabdiklių keitimas	158
10.3 ESK+ mechanizmo išėmimas	159
10.4 ESK+ mechanizmo keitimas	160
11 Techniniai duomenys.....	161
12 Informacija apie užsakymą	162

1 Aprašas ir numatyta paskirtis

Jei nenurodyta kitaip, ši naudojimo instrukcija skirta gydytojui ir naudotojui.

Joje terminu *priemonė* vadinami „Stanceflex ESK+“ gaminiai.

Perskaitykite visą naudojimo instrukciją ir įsitikinkite, kad viską supratote, ypač visą saugos informaciją ir priežiūros instrukcijas.

Taikymas

Priemonė skirta naudoti tik kaip apatinės galūnės protezo dalis.

Priemonė skirta vienam naudotojui.

Priemonė yra vienašis svorio aktyvuojamas stabilizuotas kelio protezas su integruotu atramos fazės fleksijos elementu. Jos paskirtis yra padidinti saugą ir sumažinti ėjimo pastangas.

Blauzdos komponente gali būti sumontuotas PSPC (angl. Pneumatic Swing Phase Control, pneumatinis mosto fazės valdiklis) arba „SmartIP“ (angl. Smart Intelligent Prosthesis, išmanusis protezas) mosto fazės valdiklis, arba blauzdos komponentas gali būti pateiktas be cilindro.

Guminis elementas kelio protezo korpuso gale suteikia papildomą atramos fazės fleksiją.

Ypatybės

	Rankiniu būdu reguliuojamas PSPC	Mikroprocesoriaus valdomas „SmartIP“
Atramos fazės fleksija nešant sunkius daiktus	✓	✓
Tvirtas anglies pluošto rėmas	✓	✓
140 laipsnių kelio protezo fleksija	✓	✓
Reguliuojamas kelio protezo stabilumo jautrumas	✓	✓
Nepriklausomi mosto fazės valdikliai (fleksijai ir ekstenzijai), kuriuos galima reguliuoti rankiniu būdu	✓	
Mikroprocesoriaus valdomas mosto fazės valdiklis fleksijos etape ir rankiniu būdu reguliuojamas smūgio galinėje padėtyje amortizavimas ekstenzijos etape		✓

Mobilumo lygis

Priemonė skirta 2–4 mobilumo lygių naudotojams (taikomi svorio apribojimai, žr. *Techniniai duomenys*).

Priemonė gali netikti 1 mobilumo lygio naudotojams arba sporto varžyboms. Tokiems naudotojams geriau tinka pagal jų poreikius specialiai suprojektuotas ir optimizuotas protezas.

1 mobilumo lygis

Naudodamas protezą geba perkelti svorį nuo vienos kojos ant kitos arba eiti lygiu paviršiumi vienodu greičiu. Tipinis ambulatorinis ligois, galintis vaikščioti su apribojimais arba be jų.

2 mobilumo lygis

Geba vaikščioti ir įveikti žemas aplinkos kliūtis, pvz., šaligatvio bortelius, laiptus arba nelygius paviršius. Tipinis ambulatorinis ligois, galintis su apribojimais vaikščioti ne tik gyvenamojoje vietoje.

3 mobilumo lygis

Geba vaikščioti kintamu greičiu. Tipinis ambulatorinis ligois, kuris gali vaikščioti ne tik gyvenamojoje vietoje, geba įveikti daugumą aplinkos kliūčių ir gali užsiimti profesine, terapine arba mankštos veikla, dėl kurios protezas turi būti naudojamas intensyviau, nei atliekant įprastus judesius.

4 mobilumo lygis

Geba vaikščioti su protezu tokiu būdu, kuris viršija elementaraus vaikščiojimo įgūdžius, pasižymi stipriais smūgiais, įtempiais ir dideliu energijos kiekiu. Tipiniai vaikų, aktyvių suaugusiųjų arba sportininkų su protezu poreikiai.

Klinikinė nauda

- Svoriu aktyvuojamas atramos fazės valdiklis ir reguliuojamasis mosto fazės valdiklis užtikrina sklandžią, saugią eiseną atlaisvintu keliu.
- „Stanceflex“ pagerina smūgių sugėrimą.
- Mikroprocesoriaus valdomas mosto fazės valdiklis nustato optimalias eisenos charakteristikas einant įvairiu greičiu. (Tik „SmartIP“.)

Kontraindikacijos

Priemonė netinkama toliau nurodytiems naudotojams.

- Naudotojai, kuriems diagnozuotas itin didelis raumenų silpnumas, kontraktūros, prie kurių negalima tinkamai pritaikyti, arba proprioceptinė disfunkcija, įskaitant sunkumą išlaikyti pusiausvyrą.
- Naudotojai, kuriems diagnozuotas kontralateralinio sąnario nestabilumas arba patologija.
- Naudotojai, kuriems diagnozuoti sudėtingi sveikatos sutrikimai, apimantys kelias negalias.
- Naudotojai (įskaitant tuos, kurių abi galūnės amputuotos virš kelio), kuriems reikalinga kelio lenkimo funkcija, kad galėtų leisti laiptais arba atsisėsti. Šiais veiksmais galima sugadinti stabdžio mechanizmą, o tai gali paveikti stabilumą ir patvarumą.



Prieš naudodamas priemonę, naudotojas turi baigti eisenos mokymo kursą.



Patikrinkite, ar naudotojas suprato visus naudojimo nurodymus, ypač atkreipdami dėmesį į priežiūros ir saugos informacijos skyrius.

2 Saugos informacija



Šiuo įspėjamoju simboliu pažymėta svarbi saugos informacija.



Visada atminti apie pirštų prispaudimo pavojų.



Apie bet kokius galūnės veikimo savybių arba funkcionavimo pakitimus, pvz., nestabilumą, dvigubą veikimą, ribotą judėjimą, nesklandų judėjimą arba neįprastus garsus, būtina nedelsiant pranešti priežiūros specialistui.



Visada laikykitės už turėklų, kai leidžiatės laiptais žemyn ir kitais atvejais, kai turėklai įrengti.



Per didelis kulno aukščio pasikeitimas baigus lygiuoti gali neigiamai paveikti galūnės funkcionavimą.



Vairuokite tik tinkamai pritaikytas transporto priemones. Valdydami motorines transporto priemones visi asmenys privalo laikytis atitinkamų vairavimą reglamentuojančių teisės aktų.



Būkite atsargūs nešdami sunkius daiktus, nes jie gali paveikti priemonės stabilumą.



Naudotoją reikia informuoti, kad pajutus diskomfortą būtina susisiekti su gydytoju.



Saugokite nuo itin didelio karščio ir (arba) šalčio.



Priemonės surinkimo, priežiūros ir remonto darbus privalo atlikti tik tinkamos kvalifikacijos gydytojas.

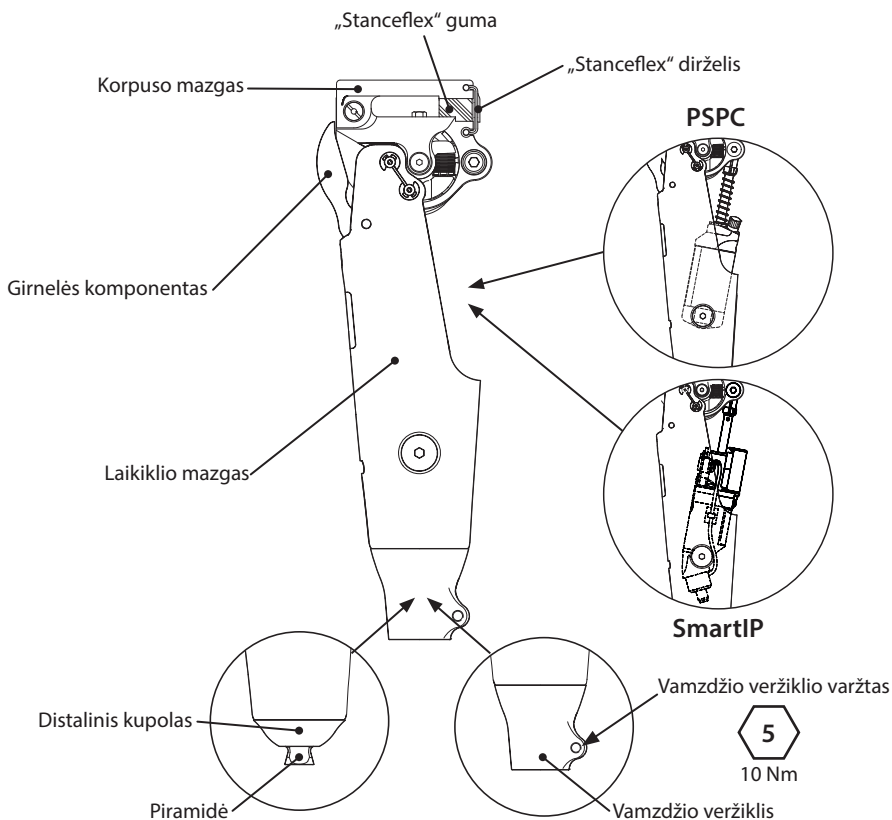


Priemonė neskirta naudoti panardinus į vandenį arba kaip dušo protezas. Įvykus galūnės sąlyčiui su vandeniu, nedelsdami sausai nušluostykite.

3 Konstrukcija

Pagrindinės dalys

- Laikiklio mazgas Anglies pluošto kompozitas ir nerūd. plienas
- Korpuso mazgas Aliuminio lydinys, nerūd. plienas, techninis termoplastikas, pluoštu armuota frikcinė medžiaga (be asbesto).
- Distalinis kupolas Aliuminio lydinys
- Distalinė piramidė Titanas su nerūd. plieno varžtu
- Distalinis vamzdžio veržiklis Aliuminio lydinys
- Girnelės komponentas Techninis termoplastikas
- „Stanceflex“ guma Natūralusis kaučiukas
- „Stanceflex“ dirželis Kevlaras
- PSCP Aliuminio lydinys, nerūd. plienas, titanas, techninis termoplastikas
- „SmartIP“ valdiklio cilindras Aliuminio lydinys, nerūd. plienas, titanas, techninis termoplastikas
Elektroniniai komponentai, baterijos



4 Veikimas

Kelio protezas yra vienaasės konstrukcijos, kurioje korpusas su laikikliu sujungtas kelio protezo sukimosi ašimi. Svoriu aktyvuojamas stabilizuojantis kelio protezo mechanizmas įtaisytas korpuse. Kelio protezo korpuse yra sukimosi ašimi pritvirtinta viršutinė plokštelė, atremta tampria gumine trinkele. Tokia konstrukcija užtikrina atramos fazės fleksiją esant apkrovai ir sugeria smūgines apkrovas atremiant kulną.

Kelio protezo valdiklio cilindras sumontuotas rėme tarp užpakalinės korpuso sukimosi ašies ir distalinės laikiklio sukimosi ašies.

PSPC cilindre yra rankiniu būdu reguliuojami vožtuvai, leidžiantys atskirai reguliuoti fleksijos ir ekstenzijos pasipriešinimą per mosto fazę.

„SmartIP“ valdiklio cilindre naudojami jutikliai, kuriais stebimas ėjimo greitis ir atitinkamai automatiškai reguliuojamas fleksijos pasipriešinimas. Ekstenzija reguliuojama diskretiniu žingsniu nustatant smūgio galinėje padėtyje amortizatorių.

5 Priežiūra

Priemonę reguliariai apžiūrėkite.

Apie bet kokius šios priemonės veikimo pakitimus, pvz., neįprastus garsus, padidėjusį standumą, ribotą ar per didelį sukimąsi, didelį nusidėvėjimą arba stiprų spalvos pakitimą dėl ilgalaikio UV spinduliuotės poveikio, praneškite gydytojui ir (arba) priežiūros specialistui.

Informuokite gydytoją ir (arba) priežiūros specialistą apie pasikeitusį kūno svorį ir (arba) mobilumo lygį.

Valymas

Nuvalykite išorinius paviršius silpnai muiluotu vandeniu sudrėkinta šluoste. NENAUDOKITE stiprių valiklių.

Kiti nurodymai šiame skyriuje skirti tik gydytojui.

Šiuos priežiūros darbus privalo atlikti tik kompetentingi darbuotojai (gydytojas arba tinkamos kvalifikacijos specialistas).

Norint išlaikyti optimalų veikimą, rekomenduojama reguliariai tikrinti, ar nėra neįprastų garsų, laisvumą ir stabilumą. Patikrų periodas priklauso nuo tokių veiksnių, kaip naudotojo mobilumas, naudojimo dažnumas ir kelio protezo stabilumo nuostatis.

Pavyzdžiui, jei nustatytas 6 ar daugiau spragtelėjimų stabilumas ir naudotojas nueina vidutiniškai 600 000 žingsnių per metus, rekomenduojama tikrinti kas metus.

Jei nustatytas mažiau nei 6 spragtelėjimų stabilumas ir (arba) naudotojas nueina vidutiniškai mažiau žingsnių per metus, patikrų periodas gali būti ilgesnis.

Žingsnių skaičių rekomenduojama nustatyti naudojant galinės aktyvumo stebėjimo prietaisą.

Kelio protezą rekomenduojame sureguliuoti pagal asmens stabilumo poreikius, kad būtų užtikrintas optimalus stabilumas ir ilgaamžiškumas. Žr. reguliavimo vadovą ir struktūrinę schemą.

Per patikras atlikite šiuos veiksmus:

- Patikrinkite, ar nėra matomų defektų, galinčių neleisti priemonei tinkamai veikti.
- Patikrinkite korpuso M/L laisvumą ir per didelį „Stanceflex“ gumos suspaudimą. Jei reikia, pakeiskite guolius ir „Stanceflex“ gumą.
- Patikrinkite ir, jei reikia, pakeiskite priekinį stabdiklį.
- Patikrinkite ir, jei reikia, pakeiskite blauzdos komponento stabdiklius.
- Išmontuokite, išvalykite ir vėl surinkite kelio protezo mechanizmą.

Informuokite naudotoją, kad rekomenduojama reguliariai apžiūrėti priemonę, o apie pastebėtus bet kokius priemonės veikimo pakitimus būtina pranešti gydytojui. Galimi veikimo pakitimai: kelio protezo standumo padidėjimas arba sumažėjimas, nestabilumas, prastesnė kelio atrama (laisvumas), bet kokie neįprasti garsai.

Jei ši priemonė naudojama ekstremaliai veiklai, reikia pakoreguoti priežiūros darbų lygį ir intervalą – jei reikia, kreipkitės dėl rekomendacijų ir techninės pagalbos, kad galėtumėte sudaryti naują priežiūros planą pagal aktyvumo dažnumą ir pobūdį. Planą turi nustatyti tinkamos kvalifikacijos asmuo, atlikdamas vietinį rizikos vertinimą.

Laikymas ir priežiūra

Priemonę sandėliuoti ilgą laiką galima sausoje patalpoje nuo $-15\text{ }^{\circ}\text{C}$ iki $50\text{ }^{\circ}\text{C}$ temperatūroje. Naudokite pateiktą gaminio pakuotę.

6 Naudojimo apribojimai

Numatyta naudojimo trukmė

Reikia atlikti vietinį rizikos vertinimą ir įvertinti aktyvumą bei naudojimą.

Sunkių daiktų kėlimas

Leidžiamas naudotojo svoris ir aktyvumas priklauso nuo nurodytų ribų.

Galimybė naudotojui nešti sunkius daiktus turi būti pagrįsta vietiniu rizikos vertinimu.

Aplinka

Saugokite priemonę nuo koroziją sukeliančių medžiagų, pvz., vandens, rūgščių ir kitų skysčių. Taip pat venkite aplinkos, kurioje yra abrazyvinių medžiagų, pvz., smėlio, nes jos gali sukelti pirmalaikį susidėvėjimą.

Naudokite tik nuo $-15\text{ }^{\circ}\text{C}$ iki $50\text{ }^{\circ}\text{C}$ temperatūroje.



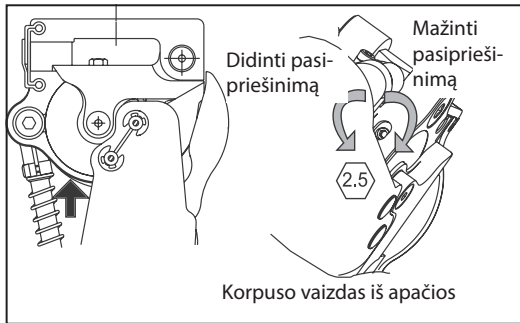
Tinkama naudoti lauke

7 Lygiavimas stende

Nurodymai šiame skyriuje skirti tik gydytojui.

Ėjimo bandymai

Spyrukolių reguliatorius



Visiškai ištieskite galūnę, kad pasiektumėte reguliatorių.

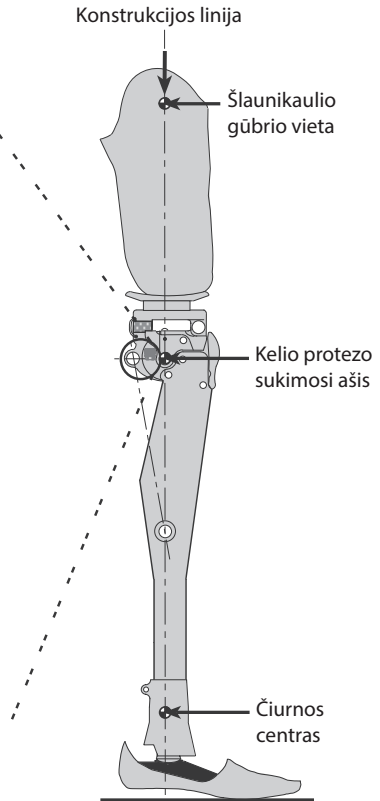
Sukdami SPYRUOKLIŲ REGULIATORIŲ nustatykite konkrečiam naudotojui reikalingą stabilumą.

Pastaba... Reguliuojant girdimi spragtelėjimai, o reguliatorius automatiškai užsifiksuoja.

Norėdami sumažinti stabilumą, SPYRUOKLES veržkite.

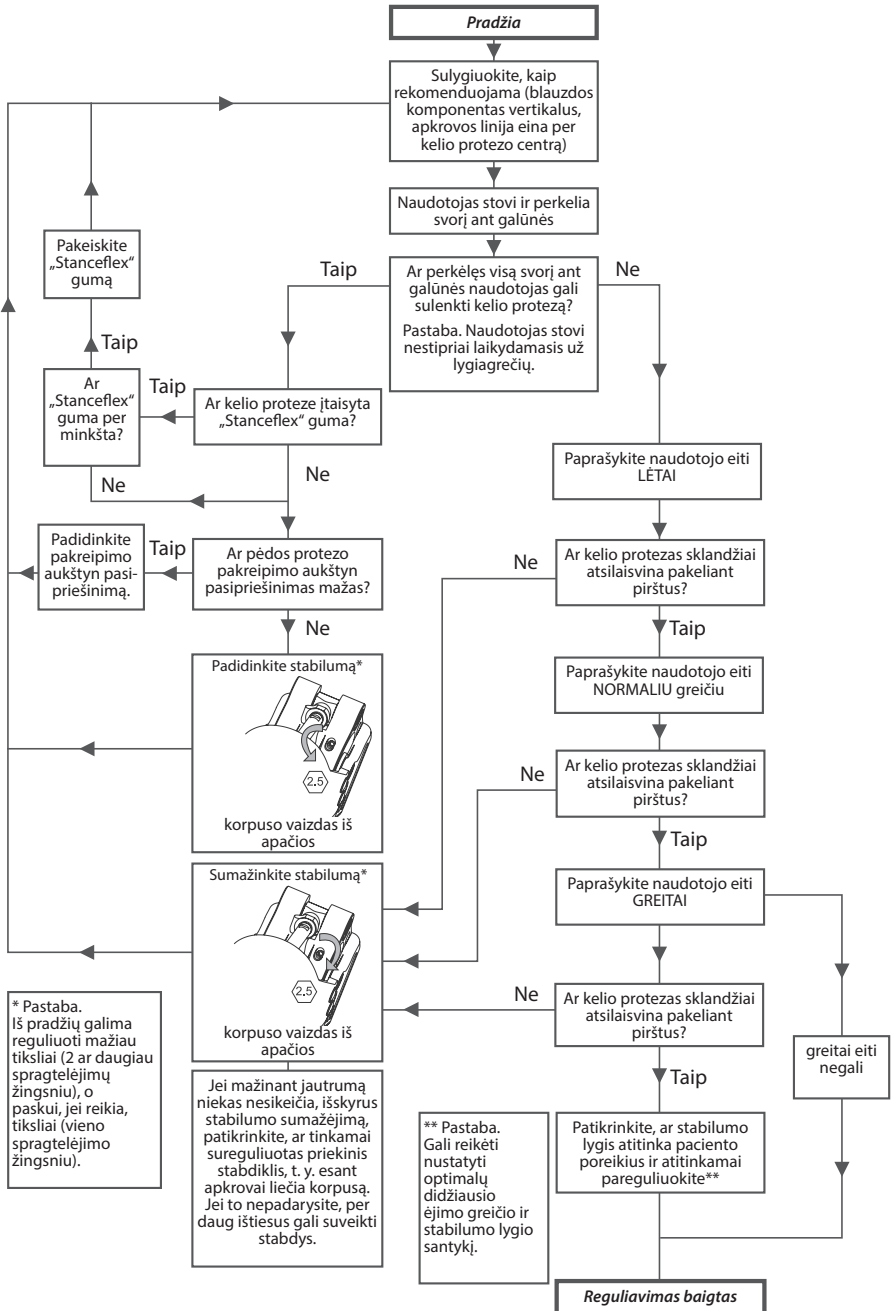
Norėdami padidinti stabilumą, SPYRUOKLES atlaisvinkite. Žr. pirmiau.

Jei reikia, galima nustatyti gamyklinį reguliatoriaus nuostatį. Tai atliekama sumažinant stabilumą per 6 spragtelėjimus nuo didžiausio stabilumo nuostačio.



8 Lygiavimo patarimai ir stabilumo reguliavimas

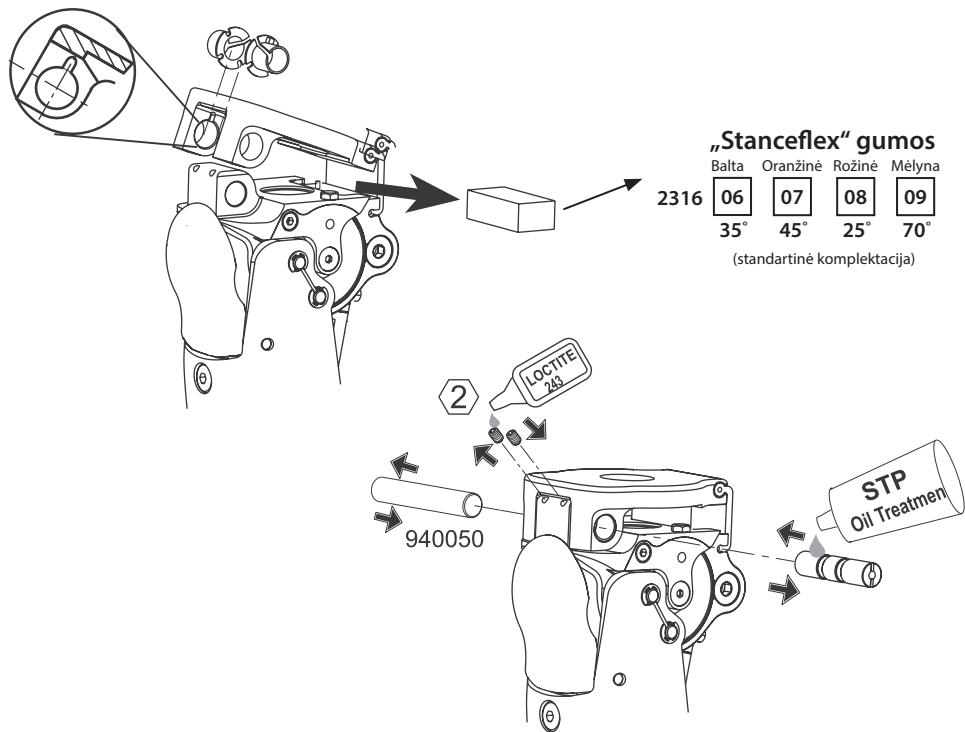
Nurodymai šiame skyriuje skirti tik gydytojui.



9 Pritaikymo patarimai

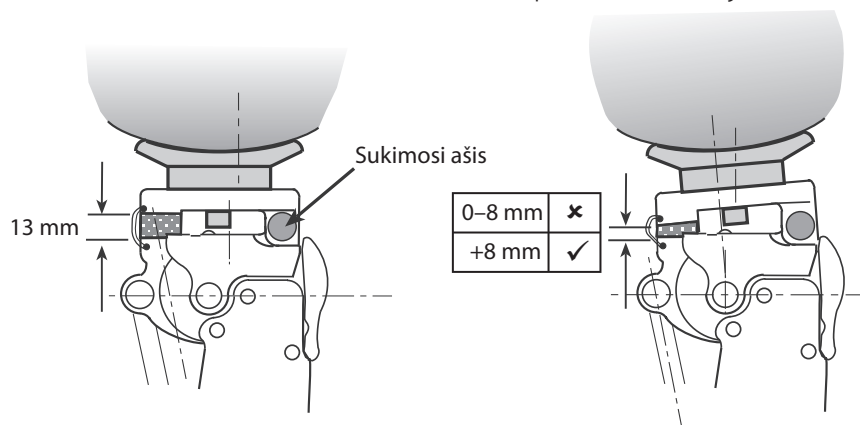
Nurodymai šiame skyriuje skirti tik gydytojui.

9.1 „Stanceflex“ gumos keitimas



Statinis

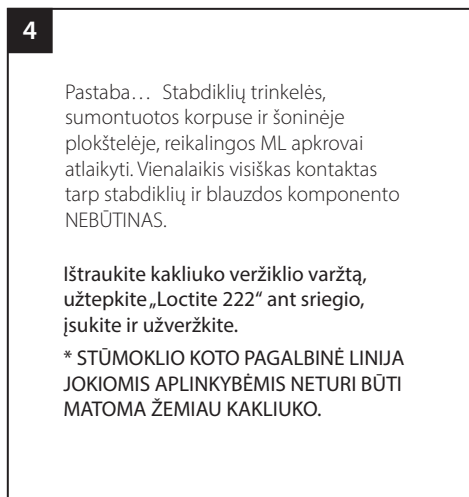
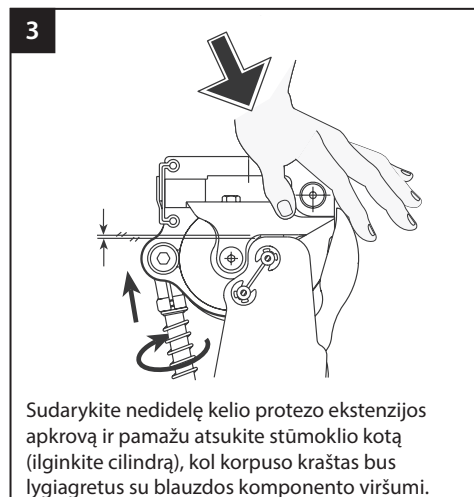
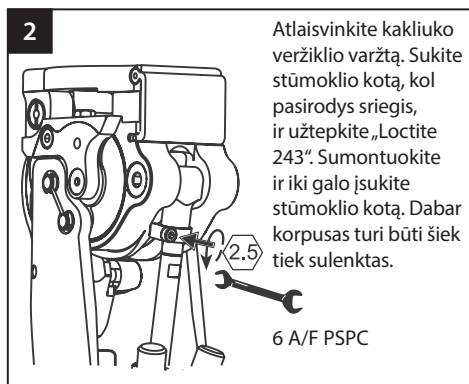
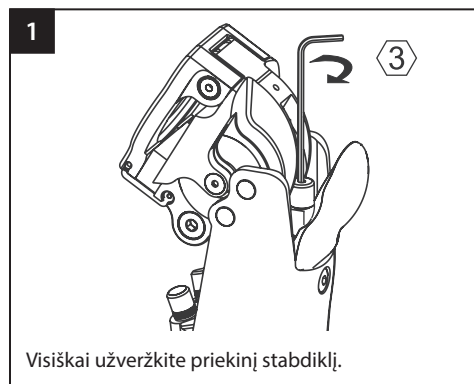
Kelio protezo fleksija atrėmus kulną



9.2 Priekinio stabdiklio reguliavimas – reguliuojamasis kakliukas

Nurodymai šiame skyriuje skirti tik gydytojui.

Sumontuota PSPC proteze



Priekinio stabdiklio reguliavimas – nereguliuojamasis išmanusis protezas

(Sumontuota senesniuose „SmartIP“ modeliuose.)

Naudojant šiuos cilindrus reguliuoti nereikia. Jiems priekinis stabdiklis turi būti visiškai užveržtas, kaip nurodyta 1 žingsnyje.

9.3 Tolesnis reguliavimas

Nurodymai šiame skyriuje skirti tik gydytojui.

Požymis	Sprendimas
Kelio protezas nestabilizuoja	Padidinkite jautrumą
	Paslinkite bigės ėmiklį pirmyn
	Jei užpakalinis stabdžio kraštas pažeistas, pakeiskite stabilizavimo mechanizmą
	Patikrinkite ir, jei reikia, pakeiskite „Stanceflex“ gumą (Žr. mažiausią suspaustos gumos storį skyriuje <i>Kelio protezo fleksija atrėmus kulną</i> .)
Kelio protezas neatsilaisvina	Sumažinkite jautrumą
	Patikrinkite, ar tinkamai sureguliuotas stūmoklio koto ilgis
	Paslinkite bigės ėmiklį atgal
Per mosto fazę kulnas pakyla per aukštai	Žr. valdiklio cilindro naudojimo instrukciją
Per mosto fazę kulnas pakyla per žemai	Žr. valdiklio cilindro naudojimo instrukciją
Naudotojas jaučia smūgį galinėje padėtyje	Žr. valdiklio cilindro naudojimo instrukciją
Per mosto fazę priemonė ne visiškai išsitiesia	Žr. valdiklio cilindro naudojimo instrukciją

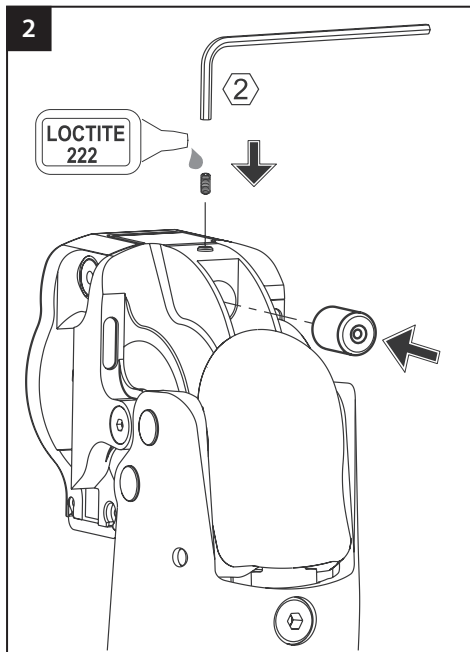
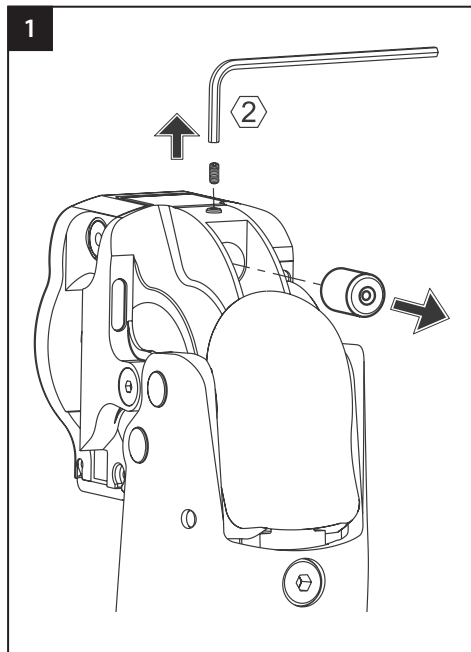
Jei laikantis šių nurodymų vis tiek kyla funkcionavimo problemų, kreipkitės patarimo į savo vietos pardavimo atstovus.

10 Surinkimo instrukcijos

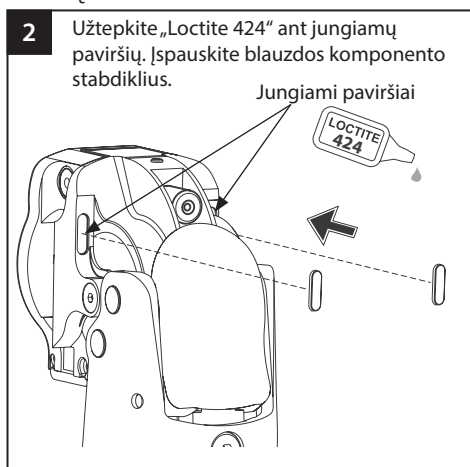
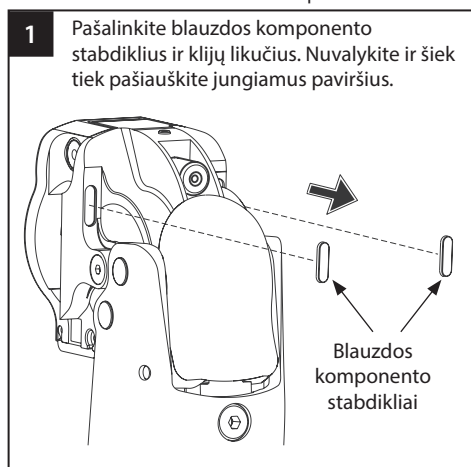
Nurodymai šiame skyriuje skirti tik gydytojui.

10.1 Priekinio stabdiklio amortizatoriaus keitimas

Sumontavę naują priekinį stabdiklį visada iš naujo sureguliuokite ir patikrinkite cilindro ilgį, jei sumontuotas reguliuojamasis kakliukas. (Žr. ankstesnę puslapį.)

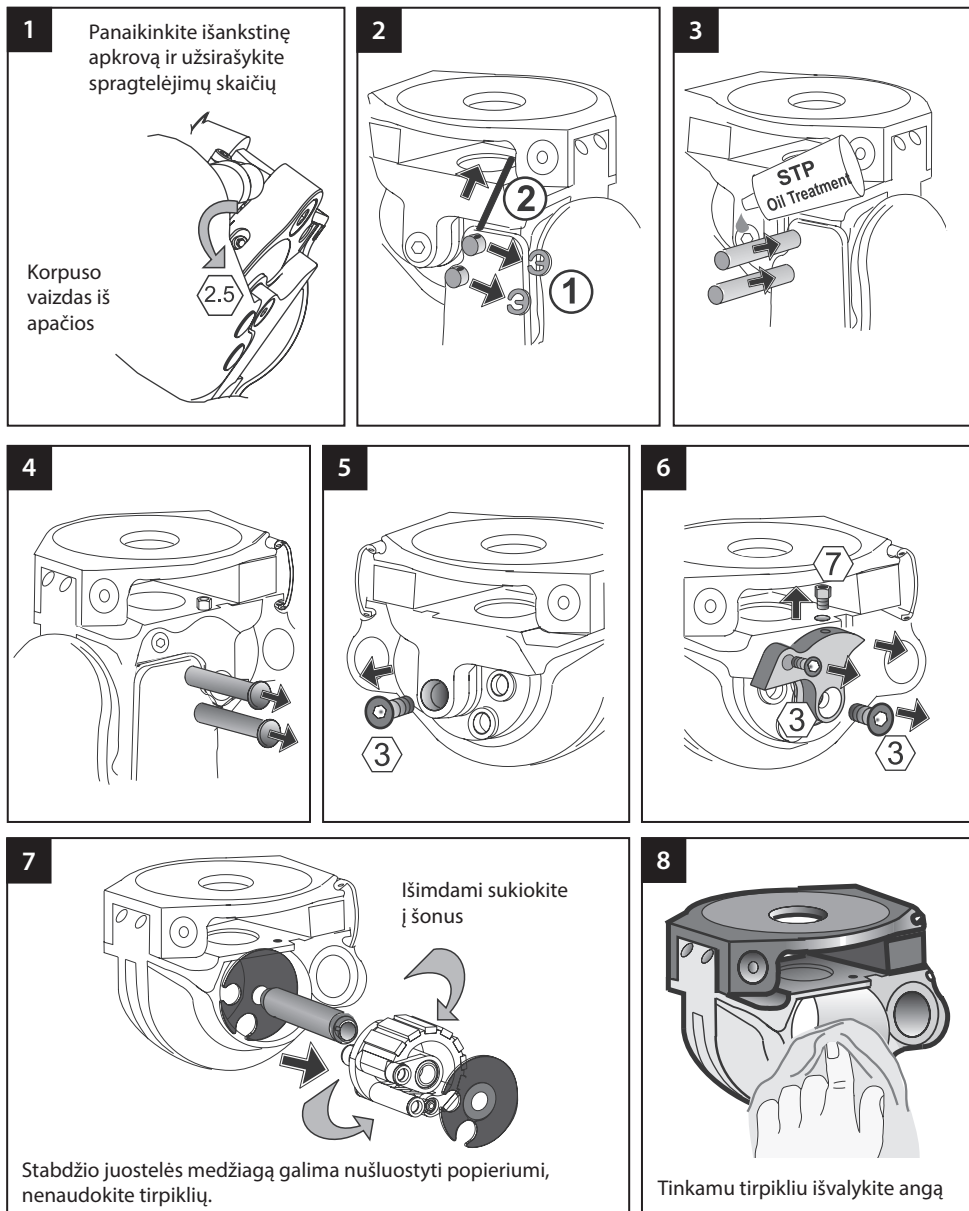


10.2 Blauzdos komponento stabdiklių keitimas



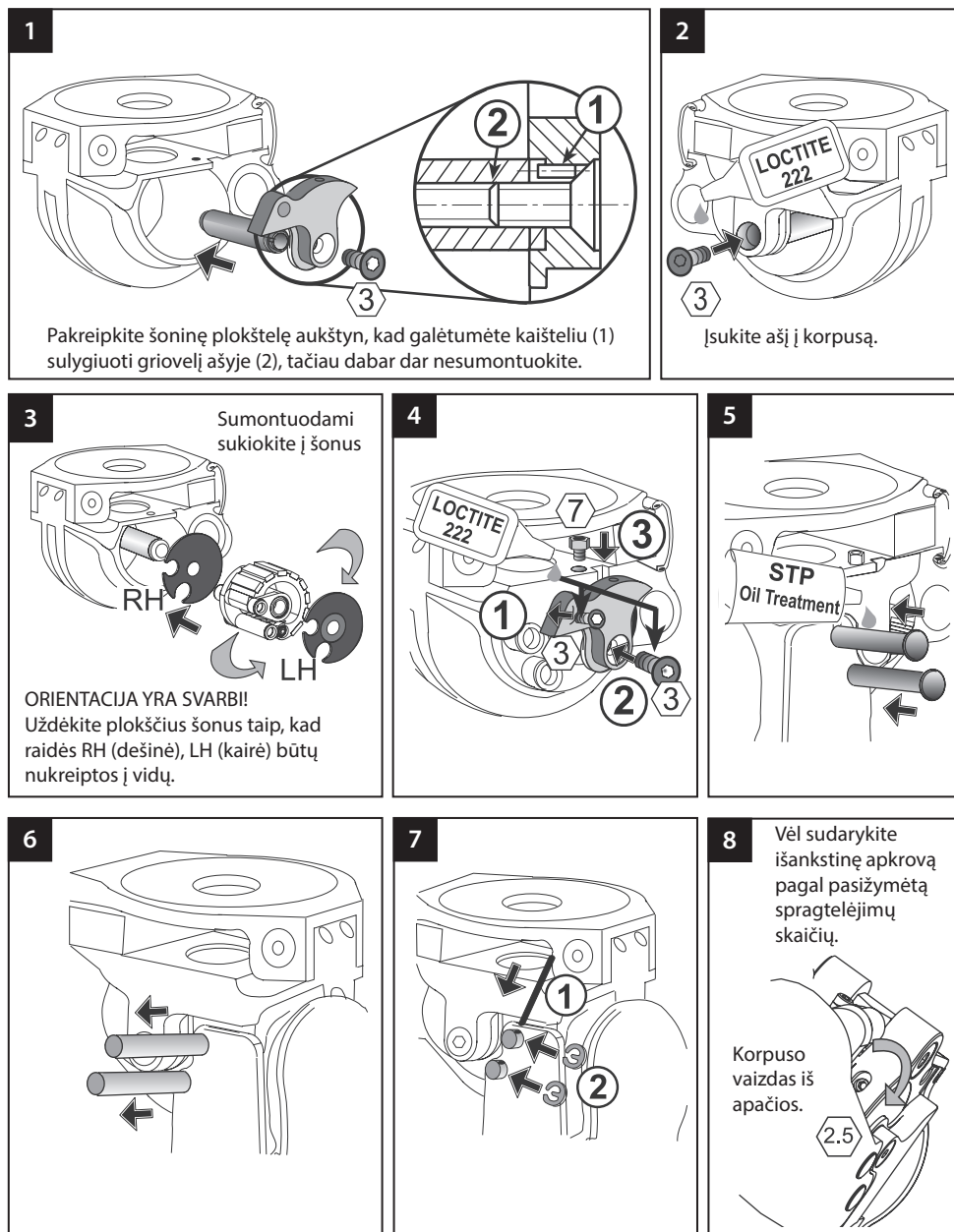
10.3 ESK+ mechanizmo išėmimas

Nurodymai šiame skyriuje skirti tik gydytojui.



10.4 ESK+ mechanizmo keitimas

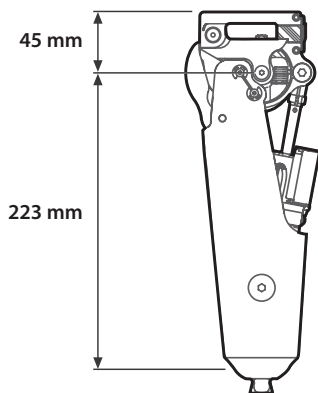
Nurodymai šiame skyriuje skirti tik gydytojui.



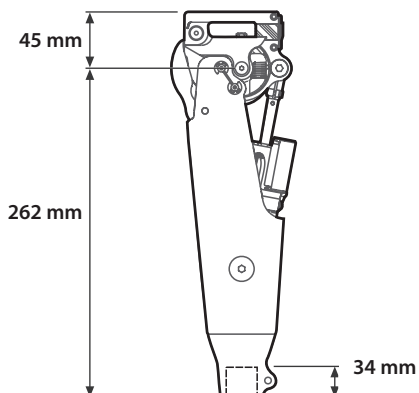
11 Techniniai duomenys

Darbinės ir laikymo temperatūros diapazonas	Nuo -15 °C iki 50 °C
Komponento svoris	
SmartIP	1,27 kg
PSPC	1,13 kg
Mobilumo lygis	2–3 (4)
Didžiausias naudotojo svoris	
2–3 mobilumo lygis	125 kg
4 mobilumo lygis	100 kg
Didžiausias fleksijos kampas	140°
Proksimalinis lygiavimo tvirtinimas	Vienas varžtas („Blatchford“)
Distalinis lygiavimo tvirtinimas	30 mm vamzdžio veržiklis arba įkišamoji piramidė („Blatchford“)
Konstrukcijos linijos aukštis	Žr. toliau pateiktas schemas.

Derinimo ilgis



ESK+ „Stanceflex“ su distaline piramide



ESK+ „Stanceflex“ su 30 mm distaliniu vamzdžio veržikliu

12 Informacija apie užsakymą

Užsakymo pavyzdys

	ESK+ su „Stanceflex“							
	30 mm distalinis vamzdžio veržiklis				Distalinė piramidė			
Pneumatinis cilindras	ESK	SF	P	30	ESK	SF	P	PYR
	ESK+	Stanceflex	PSPC	Distalinis vamzdžio veržiklis, 30 mm	ESK+	Stanceflex	PSPC	Distalinė piramidė
„SmartIP“ kelio protezas	SMARTIP	SF	30	SMARTIP	SF	PYR		
	„SmartIP“ kelio protezas	Stanceflex	Distalinis vamzdžio veržiklis, 30 mm	„SmartIP“ kelio protezas	Stanceflex	Distalinė piramidė		
Nesumontuotas joks valdiklio cilindras	ESK	SF	30	ESK	SF	PYR		
	ESK+	Stanceflex	Distalinis vamzdžio veržiklis, 30 mm	ESK+	Stanceflex	Distalinė piramidė		

Atsarginės dalys

Elementas	Dalies Nr.
„Stanceflex“ kelio protezo mazgas	239149
ESK mechanizmo lygiavimo kaištis	234914
Priekinio stabdiklio trinkelė	234903
ESK+ stabilizavimo mechanizmo kompleksas	239949
Blauzdos komponento stabdiklis	233810

„Stanceflex“ guma

Elementas	Dalies Nr.
25° rožinė (minkšta)	231608
35° balta	231606
45° oranžinė (standartinė komplektacija)	231607
70° mėlyna (kieta)	231609

Atsakomybė

Gamintojas rekomenduoja naudoti priemonę tik nurodytomis sąlygomis ir numatytais tikslais. Priemonę būtina prižiūrėti vadovaujantis kartu su ja pateikta naudojimo instrukcija. Gamintojas neatsako už jokiais neigiamas pasekmes, kurias sukėlė gamintojo nepatvirtinti komponentų deriniai.

CE atitiktis

Šis gaminys atitinka Europos reglamento (ES) 2017/745 dėl medicinos priemonių reikalavimus. Vadovaujantis klasifikavimo taisyklėmis, nurodytomis reglamento VIII priede, šis gaminys priskiriamas I klasės priemonėms. ES atitikties deklaraciją galima atsisiųsti šioje svetainėje: www.blatchford.co.uk



Medicinos priemonė



Vienas pacientas – daugkartinis naudojimas

Suderinamumas

Derinimas su „Blatchford“ gaminiais patvirtintas remiantis bandymais, įskaitant konstrukcijos bandymą, atliktais pagal susijusius standartus ir Medicinos priemonių reglamentą (MPR), matmenų suderinamumu ir stebimomis eksploatacinėmis savybėmis.

Derinimas su alternatyviais CE ženklų pažymėtais gaminiais turi būti atliekamas atsižvelgiant į gydytojo atliktą dokumentuotą vietinį rizikos vertinimą.

Garantija

Priemonei suteikiama 24 mėnesių garantija, stabdžio juostelei – 12 mėnesių.

Naudotojas turi žinoti, kad dėl pakeitimų ar modifikacijų, kurie nėra aiškiai patvirtinti, gali būti panaikinta garantija, naudojimo licencijos ir išimtytys.

Dabartinį visą garantijos pareiškimą žr. „Blatchford“ svetainėje.

Pranešimas apie rimtus incidentus

Jei mažai tikėtina atveju įvyktų rimtas incidentas, susijęs su šia priemone, apie jį reikia pranešti gamintojui ir kompetentingai nacionalinei institucijai.

Su aplinkosauga susiję aspektai

Šio gaminio sudėtyje yra hidraulinės alyvos, įvairių metalų ir plastikų. Kai įmanoma, komponentus reikia atiduoti perdirbti pagal vietos atliekų tvarkymo reglamentus.

Pakuotės etiketės išsaugojimas

Gydytojui rekomenduojama išsaugoti pakuotės etiketę kaip pateiktos priemonės įrodymą.

Registruotas gamintojo adresas

Blatchford Products Limited, Lister Road, Basingstoke RG22 4AH, UK.

Prekių ženklų patvirtinimo informacija

„Blatchford“ yra „Blatchford Products Limited“ registruotasis prekių ženklas.

Sisukord	164
1 Kirjeldus ja kasutusotstarve.....	165
2 Ohutusteave.....	167
3 Konstruksioon.....	168
4 Otstarve	169
5 Hooldus.....	169
6 Kasutuspiirangud.....	170
7 Joondumuse eelseadistamine rakises	171
8 Joondumusega seotud nõuanded ja stabiilsuse reguleerimine.....	172
9 Sobitamisinõuanded.....	173
9.1 Stanceflexi kummielementide vahetamine	173
9.2 Eesmise piiriku reguleerimine – reguleeritav pöördetapp	174
9.3 Täiendav reguleerimine	175
10 Montaažijuhised	176
10.1 Eesmise piiriku vahetamine.....	176
10.2 Sääreosa piirikute vahetamine.....	176
10.3 ESK+ mehhanismi eemaldamine	177
10.4 ESK+ mehhanismi vahetamine	178
11 Tehnilised andmed	179
12 Tellimisteave.....	180

1 Kirjeldus ja kasutusotstarve

Kui pole öeldud teisiti, on käesolev kasutusjuhend mõeldud proteesimeistrile ja kasutajale.

Termin *seade* viitab käesolevas kasutusjuhendis Stanceflex ESK+ sarja toodetele.

Lugege kasutusjuhend tervenisti läbi ja tehke see endale selgeks. Pöörake erilist tähelepanu ohutusteabele ja hooldusjuhistele.

Kasutamine

Seade on mõeldud kasutamiseks üksnes osana alajäsemeproteesist.

Seade on ette nähtud kasutamiseks ühel patsiendil.

Seade on üheteljeline keharaskusega aktiveeritav stabilisaatoriga põlveprotees koos integreeritud toeperioodi fleksiooni elemendiga ning on loodud suurendama ohutust ja vähendama kompensatsiooni.

Sääreosa võib olla hooperioodi juhtimise pneumosilindriga (PSPC) või nutika intelligentse hooperioodi juhtsilindriga (SmartIP) või ilma silindrita.

Põlve pealisosa tagaküljel olev kummielement võimaldab täiendavat fleksiooni toeperioodil.

Omadused

	Käsitsi reguleeritav PSPC	Mikroprotsessori juhitav SmartIP
Fleksioon toeperioodil keharaskuse toetamisel	✓	✓
Tugev süsinikkiust raam	✓	✓
140° põlve fleksioon	✓	✓
Põlve stabiilsuse tundlikkuse reguleerimine	✓	✓
Sõltumatult käsitsi reguleeritav fleksioon ja ekstensioon	✓	
Hooperioodi fleksiooni juhtimine mikroprotsessoriga ning käsitsi reguleeritav hooperioodi lõppfaasi ekstensiooni lõõgileevendus		✓

Aktiivsusgrupp

Seade sobib II, III ja IV aktiivsusgrupi kasutajatele (järgida tuleb kehakaalu piiranguid, vt *Tehnilised andmed*).

Seade ei pruugi sobida I aktiivsusgrupi kasutajatele ega kasutamiseks spordivõistlustel. Sellistele kasutajatele võib olla sobivam erikonstruktsiooniga protees, mis on optimeeritud konkreetse kasutaja vajadustele.

Aktiivsusgrupp 1

Patsient on suuteline või võimeline kasutama proteesi liikumiseks või kõndimiseks tasasel pinnal muutumatu kõnnikiirusega. Iseloomustab patsienti, kes suudab kõndida vaid lühikeste sammudega või aeglase kõnnikiirusega.

Aktiivsusgrupp 2

Patsient on suuteline või võimeline kõndima ning iseseisvalt ületama madalamaid igapäevasest keskkonnast tulenevaid takistusi (äärekivid, trepid või ebatasased pinnad). Iseloomustab patsienti, kes suudab kõndida lühiajaliselt kiirema tempoga.

Aktiivsusgrupp 3

Patsient on suuteline või võimeline kõndima muutuva kõnnikiirusega. Iseloomustab patsienti, kes on suuteline kõndima ka kiire kõnnikiirusega, ületama enamikku igapäevasest keskkonnast tulenevatest takistustest ning võib tegeleda kutse-, teraapia- või treeningtegevustega, mis seavad proteesile lihtsalt liikumise abistamisest suuremad nõudmised.

Aktiivsusgrupp 4

Patsient on suuteline või võimeline kõndima proteesiga viisil, mis ületab elementaarseid kõndimisoskusi ning nõuab suuremat löögi- või pingetaluvust või energiataset. Iseloomustab lapse, aktiivse täiskasvanu või sportlase proteetilisi vajadusi.

Kliiniline kasu

- Keharaskusega aktiveeritav toeperioodi juhtimine ja reguleeritav hooperioodi juhtimine tagavad sujuva ning turvalise kõnnaku vabalt liikuva põlvega.
- Stanceflexi mehhanism pakub paremat löögilevendust.
- Hooperioodi juhtimine mikroprotsessoriga võimaldab optimaalset kõnnakut erinevate kõnnikiirustega (ainult SmartIP).

Vastunäidustused

Seade ei sobi:

- eriti suure lihasnõrkuse, seadme kasutamiseks sobimatu kontraktuuri või propriotseptiivse düsfunktsiooniga (sh tasakaaluhäirega) kasutajatele;
- kontralateraalse liigese ebastabiilsuse või patoloogiaga kasutajatele;
- keerulise liitpuudega kasutajatele;
- kasutajatele, kes vajavad põlve järeleandvuse funktsiooni trepist allakõndimiseks või istumiseks (sh kahepoolse transfemoraalse amputatsiooni korral). See võib stabilisaatormehhanismi kahjustada ning mõjuda negatiivselt stabiilsusele ja vastupidavusele.



Kasutaja peab saama kõnnitreeningut, enne kui hakkab seadet iseseisvalt kasutama.



Veenduge, et kasutaja on kõik kasutusjuhised endale selgeks teinud, pöörates erilist tähelepanu kõigile hooldus- ja ohutusteabe jaotistele.

2 Ohutusteave



Selle hoiatussümboliga on esile tõstetud oluline ohutusteave.



Olge alati teadlik sõrmede muljumise ohust.



Kui jäsemeproteesi omadused või talitlus (nt ebastabiilsus, topelt-, piiratud või katkendlik liikumine või ebatavalised helid) peaks muutuma, tuleks sellest viivitamata teenusepakujale teada anda.



Trepist alla kõndides hoidke kinni käsipuust (ja alati ka muudel juhtudel, kui see on olemas).



Ülemäärane kanna kõrguse muutus pärast lõplikku joendumuse seadistamist võib mõjuda negatiivselt jäsemeproteesi talitlusele.



Sõiduki juhtimisel peab sõidukile olema paigaldatud asjaomane invavarustus. Iga mootorsõiduki juht on kohustatud järgima talle kehtivat liiklusseadust.



Raskusi tõstes tuleks olla ettevaatlik, sest see võib mõjuda negatiivselt seadme stabiilsusele.



Kui kasutaja seisund muutub, peaks ta sellest viivitamatult proteesimeistrile teada andma.



Vältige kokkupuudet eriti kõrge ja/või madala temperatuuriga.



Seadme kokkupaneku, hooldamise ja parandamisega seotud töid tohib teha ainult asjakohase kvalifikatsiooniga proteesimeister.

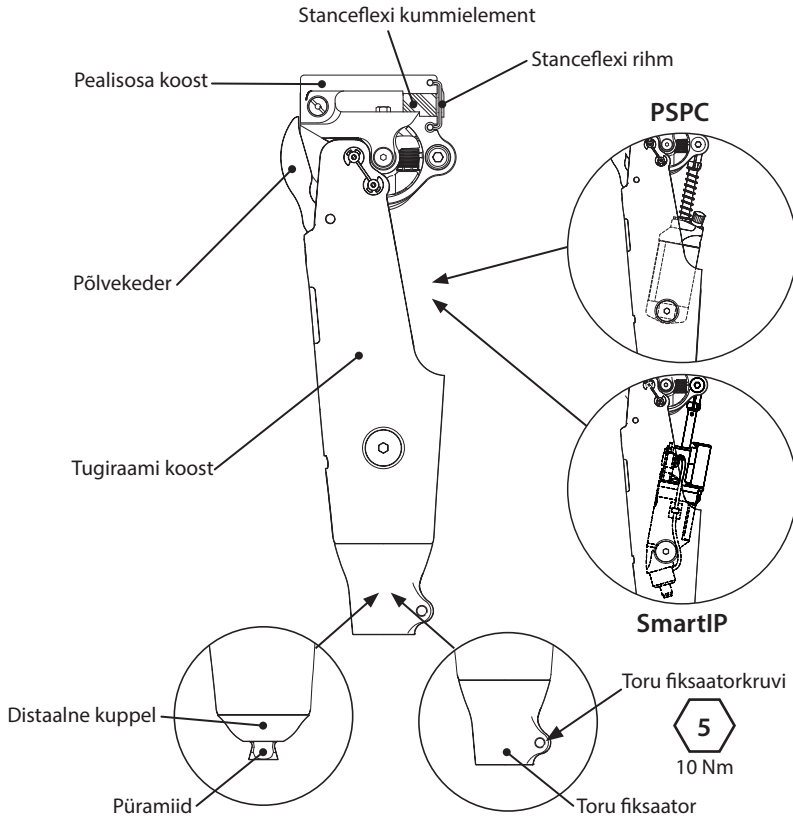


Seadet ei tohi kasutada vees ega duši all. Kui protees saab märjaks, pühkige see viivitamata kuivaks.

3 Konstruktsioon

Peamised osad

- Tugiraami koost Süsinikkiud-komposiit ja roostevaba teras
- Pealisosa koost Alumiiniumisulam, roostevaba teras, termo-konstruktsiooniplast, kiudtugevdatud (asbestivaba) hõõrdmaterjal.
- Distaalne kuppel Alumiiniumisulam
- Distaalne püramiid Titaan ja roostevabast terasest polt
- Distaalne toru fiksaator Alumiiniumisulam
- Põlvekeder Termo-konstruktsiooniplast
- Stanceflexi kummielement Looduslik kummi
- Stanceflexi rihtm Kevlar
- PSPC Alumiiniumisulam, roostevaba teras, titaan, termo-konstruktsiooniplast
- SmartIP juhtsilinder Alumiiniumisulam, roostevaba teras, titaan, termo-konstruktsiooniplast
Elektroonikakomponendid, akud



4 Otstarve

See on üheteljeline põlv, millel on pealisosa ühendatud tugiraami külge pöördetelje abil. Keharaskusega aktiveeritav põlve stabilisaatormehhanism asub pealisosa sees. Põlve pealisosal on pöördeteljega ühendatud hülsi ühendusplaat, mis toetub vetruvale kummiklotsile. See võimaldab toeperioodil koormamisel fleksiooni ning vähendab põrutust kannalöögi ajal.

Põlve juhtsilinder asub selle tugiraami koostu sees (pealisosa posterioorse pöördetelje ja tugiraami distaalse pöördetelje vahel).

PSPC-silindril on käsitsi reguleeritavad klapid, mis võimaldavad reguleerida sõltumatult fleksiooni ja ekstensiooni vastujõudu hooperioodil.

SmartIP-juhtsilinder kasutab silindris olevaid andureid, et jälgida kõnnikiirust, ja reguleerib automaatselt fleksiooni vastujõudu vastavalt. Ekstensiooni vastujõud seadistatakse hooperioodi lõppfaasi löögileevendi reguleerimisega.

5 Hooldus

Seadet tuleb regulaarselt visuaalselt kontrollida.

Kui seadme omadused peaksid muutuma (nt ebatavalised helid, jäikuse suurenemine, piiratud/liigne pöörlemine, märkimisväärne kulumine või ülemäärane värvimuutus, mis on põhjustatud pikaajalisest kokkupuutest UV-kiirgusega), teatage sellest proteesimeistrile/teenusepakkujale.

Teavitage proteesimeistrit/teenusepakkujat igasugustest kehakaalu ja/või aktiivsusgrupi muutumistest.

Puhastamine

Kasutage välispindade puhastamiseks niisket lappi ja pehmetoimelist seepi. ÄRGE kasutage tugevatoimelisi puhastusvahendeid.

Käesoleva jaotise ülejäänud juhised on mõeldud ainult proteesimeistrile.

Neid hooldustöid võib teha ainult pädev spetsialist (proteesimeister või asjakohase väljaõppega tehnik).

Optimaalse talitluse tagamiseks on soovitatav seadet reeglipäraselt kontrollida liigse müra, lõtku ja ebastabiilsuse suhtes. Ülevaatuse intervalli määramisel tuleks kaaluda kasutaja aktiivsust, kasutussagedust ja põlve stabilisaatori seadistust.

Aluseks võib võtta järgmise soovitus: kui seadistus on 6 klõpsu või rohkem ning kasutaja keskmine aastane sammuarv on 600 000, on soovitatav kontrollida kord aastas.

Kui stabilisaatori seadistus on väiksem kui 6 klõpsu ja/või kasutaja keskmine sammuarv on väiksem, võib ülevaatuse välp olla pikem.

Sammude loendamiseks on soovitatav kasutada jäseme aktiivsusmonitori.

Optimaalse stabiilsuse ja vastupidavuse tagamiseks soovime reguleerida põlve vastavalt konkreetse kasutaja individuaalsetele stabiilsusvajadustele. Vt reguleerimise juhiseid/vooskeemi.

Selline korraline ülevaatus peab koosnema järgmisest.

- Kontrollige visuaalselt talitlust mõjutavate defektide suhtes.
- Kontrollige pealisosa M–L-lõtku ja veenduge, et Stanceflexi kummielement pole deformeerinud. Vajaduse korral vahetage laagrid ja Stanceflexi kummielement.
- Kontrollige eesmist piirikut ja vajaduse korral vahetage.
- Kontrollige sääreosa piirikuid ja vajaduse korral vahetage.
- Monteerige põlvemehhanism lahti, puhastage ja monteerige uuesti kokku.

Soovitage kasutajal seadet regulaarselt visuaalselt kontrollida ning proteesimeistrit teavitada, kui ta märkab seadme omaduste muutumist. Sellised omaduste muutused võivad olla näiteks: põlve jäikuse suurenemine või vähenemine, ebastabiilsus, tugiasendi vastujõu vähenemine (vaba liikumine), igasugused ebatavalised helid.

Kui seadet kasutatakse äärmiselt intensiivselt, tuleb hooldustööde ulatus ja välbad üle vaadata ning vajadusel küsida nõu ja tehnilist tuge, et kavandada uus hooldusgraafik, mis vastab intensiivsete tegevuste sagedusele ja olemusele. Selle tarbeks peaks asjakohase kvalifikatsiooniga spetsialist koostama kohaliku riskianalüüsi.

Hoiustamine ja käitlemine

Pikaajalisel hoiustamisel tuleks seadet hoida kuivas kohas temperatuurivahemikus –15 °C kuni 50 °C.

Kasutage toote originaalpakendit.

6 Kasutuspiirangud

Kavandatud kasutusiga

Koostada tuleks kohalik riskianalüüs, mis arvestab aktiivsust ja kasutust.

Raskuste tõstmine

Kasutaja kehakaal ja aktiivsus peab jääma nimetatud piiridesse.

Kasutajale lubatud raskuste tõstmise piirid peaksid põhinema kohalikul riskianalüüsil.

Keskkond

Ärge laske seadmel puutuda kokku korrodeerivate ainetega (nt vesi, happed jm vedelikud). Vältige ka abrasiivseid (nt liiva sisaldavaid) keskkondi, sest need võivad põhjustada enneaegset kulumist.

Mõeldud kasutamiseks ainult temperatuurivahemikus –15 °C kuni 50 °C.



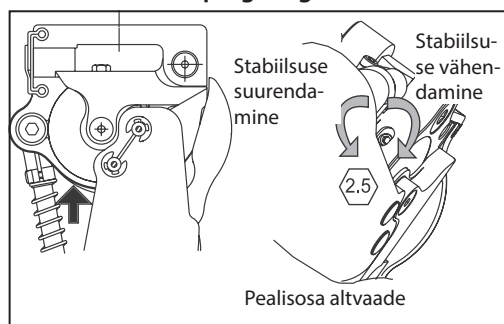
Lubatud kasutada õues

7 Joondumuse eelseadistamine rakises

Käesoleva jaotise juhised on mõeldud ainult proteesimeistrile.

Kõnnaku seadistamine

Vedru eelpinge regulaator



Sirutage jäse täielikult sirgeks, et saada juurdepääs regulaatorile.

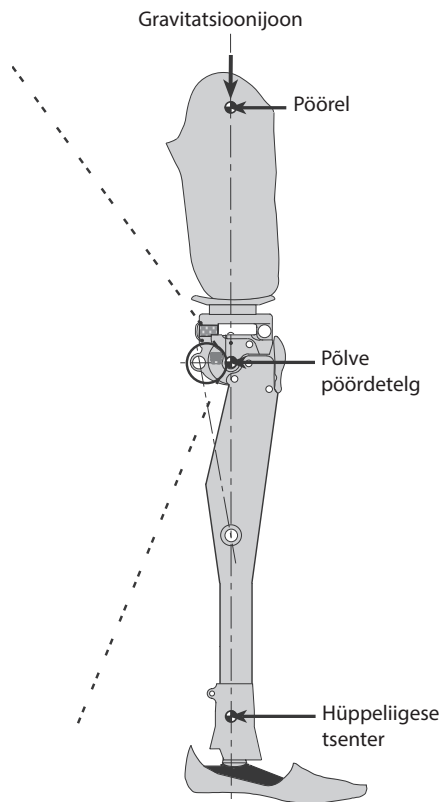
Pöörake VEDRU EELPINGE REGULAAATORIT, et seada stabiilsus konkreetsele kasutajale sobivaks.

Märkus... Regulaatori keeramisel peaksite kuulma klõpse ja regulaator on iselukustuv.

Suurendage VEDRU eelpinget stabiilsuse vähendamiseks.

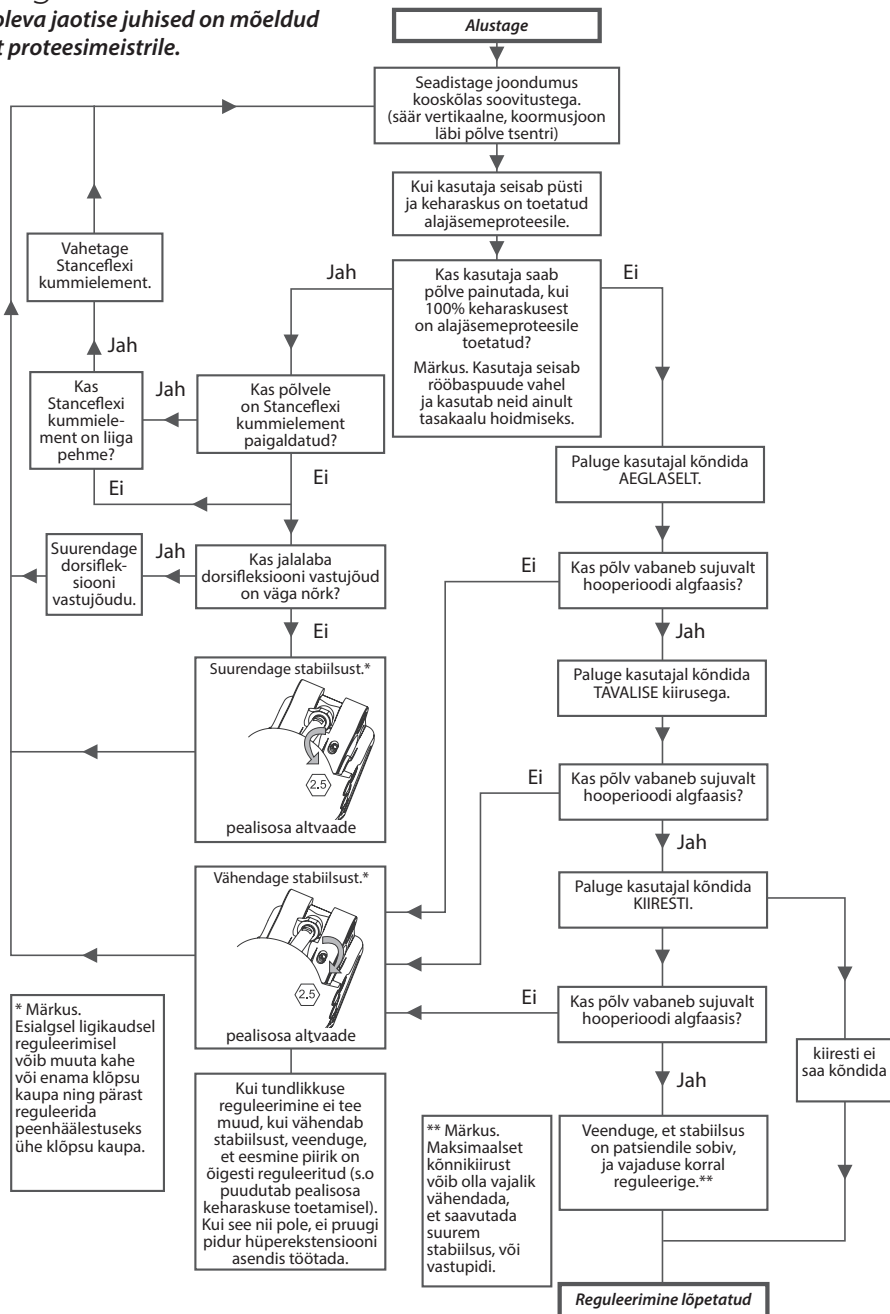
Vähendage VEDRU eelpinget stabiilsuse suurendamiseks (vt eespool).

Vajadusel võib regulaatori seada tagasi tehase määrangule. Selleks tuleb vähendada stabiilsust maksimumasendist kuue kuuldava klõpsu võrra.



8 Joondumusega seotud nõuanded ja stabiilsuse reguleerimine

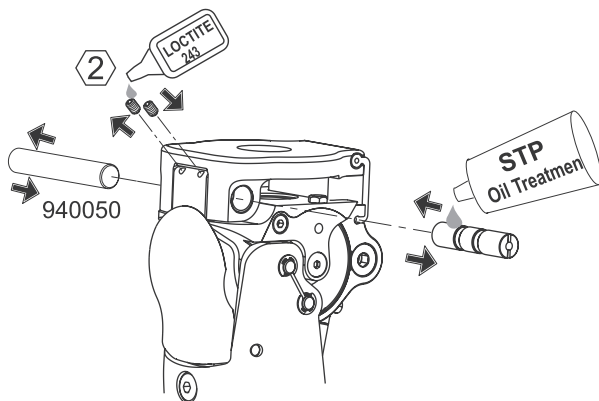
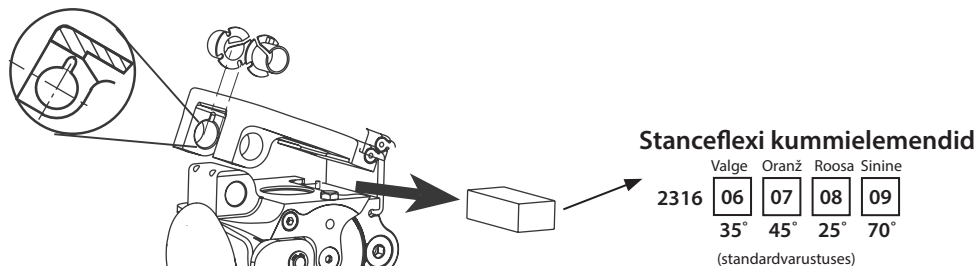
Käesoleva jaotise juhised on mõeldud ainult proteesimeistritele.



9 Sobitamiskoostanded

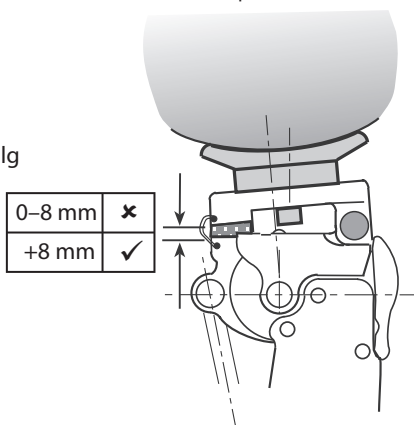
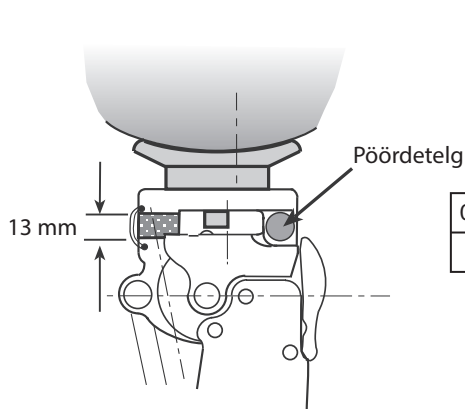
Käesoleva jaotise juhised on mõeldud ainult proteesimeistritele.

9.1 Stanceflexi kummielementide vahetamine



Staatiline

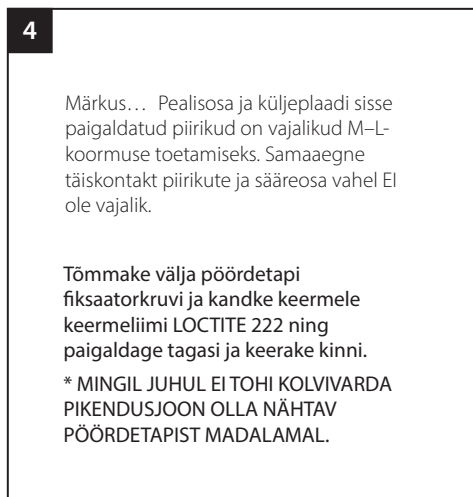
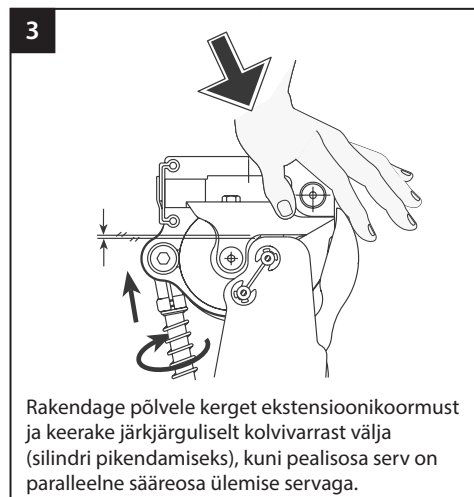
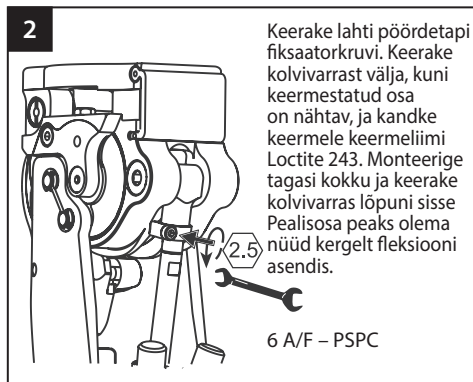
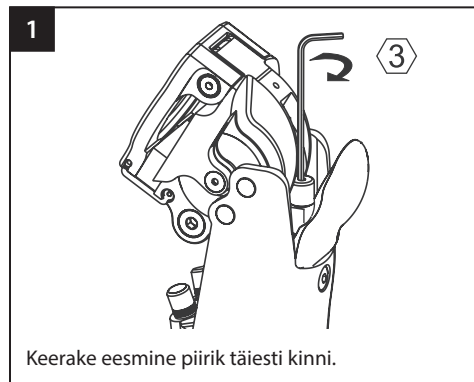
Põlve fleksioon pärast kannalööki



9.2 Eesmise piiriku reguleerimine – reguleeritav pöördetapp

Käesoleva jaotise juhised on mõeldud ainult proteesimeistritele.

Paigaldatud PSPC-le



Eesmise piiriku reguleerimine – mittereguleeritav intelligentne protees

(Nagu on vanemate SmartIP-mudelite varustuses.)

Nende silindrite kasutamisel ei ole reguleerimine vajalik. Neil peab olema eesmine piirik täielikult kinni keeratud, nagu näidatud illustratsioonil 1.

9.3 Täiendav reguleerimine

Käesoleva jaotise juhised on mõeldud ainult proteesimeistrile.

Sümptom	Lahendus
Pölv ei stabiliseeru.	Suurendage tundlikkust.
	Nihutage hülssi anterioorselt.
	Vahetage stabilisaatormehhanism, kui piduri tagaserv on kahjustada saanud.
	Kontrollige Stanceflexi kummielementi ja vajaduse korral vahetage. (Miinimumpaksust kompressiooniaendis vt jaotisest <i>Põlve fleksioon pärast kannalööki.</i>)
Pölv ei vabane.	Vähendage tundlikkust.
	Veenduge, et kolvivarda pikkus on reguleeritud sobivaks.
	Nihutage hülssi posterioorselt.
Kand tõuseb hooperioidil liiga kõrgele.	Vt juhtsilindri kasutusjuhendit.
Kand ei tõuse hooperioidil piisavalt kõrgele.	Vt juhtsilindri kasutusjuhendit.
Kasutaja tunneb hooperioidi lõppfaasis jõnksatust.	Vt juhtsilindri kasutusjuhendit.
Seade ei jõua hooperioidil lõppsirutuseni.	Vt juhtsilindri kasutusjuhendit.

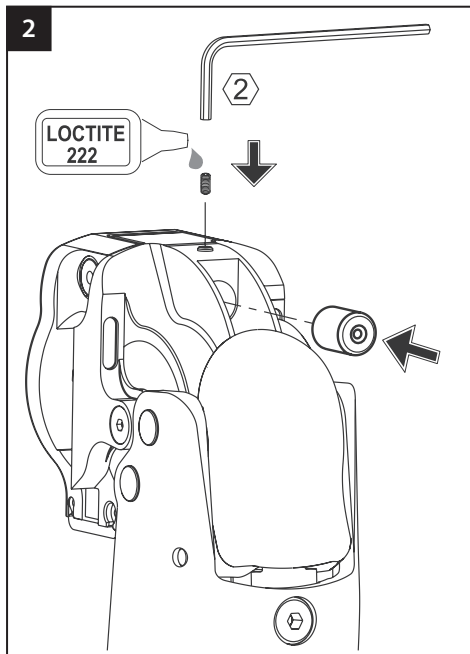
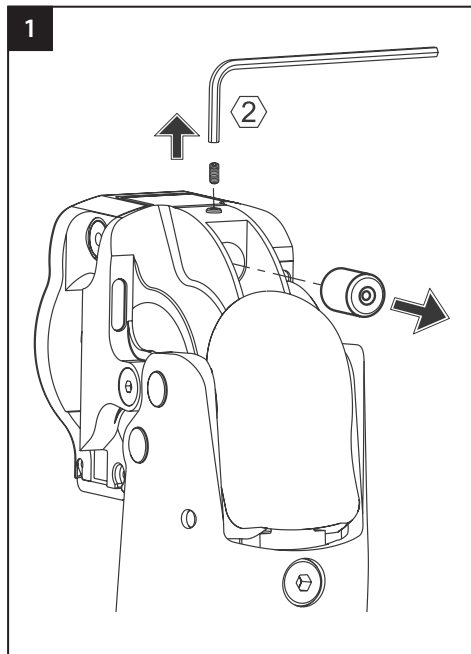
Kui seadme talitlusega on probleeme ka pärast nende juhiste läbitöötamist, küsige abi kohalikult müügiesindajalt.

10 Montaažjuhised

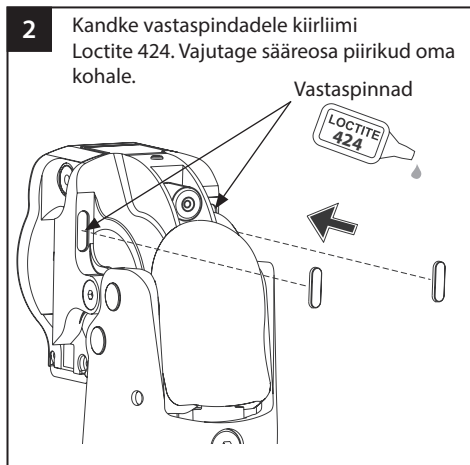
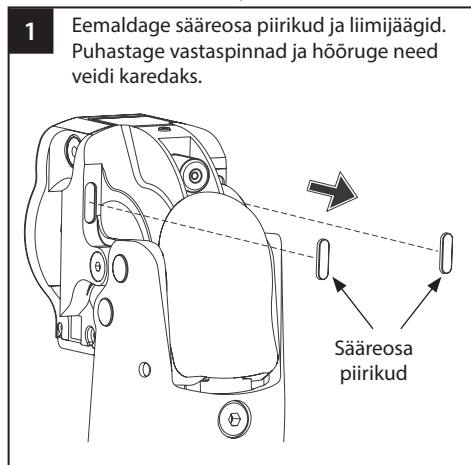
Käesoleva jaotise juhised on mõeldud ainult proteesimeistritele.

10.1 Eesmise piiriku vahetamine

Uue eesmise piiriku paigaldamisel tuleb alati selle asendit reguleerida ja vajaduse korral kontrollida silindri pikkust, kui on paigaldatud reguleeritav pöördetapp. (Vt eelmist lehekülge.)

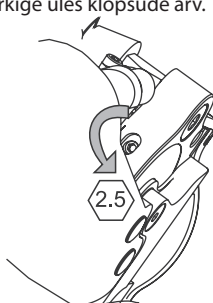
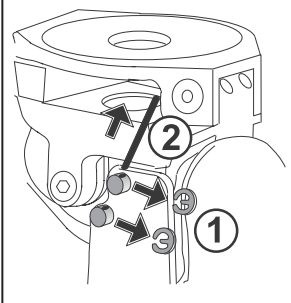
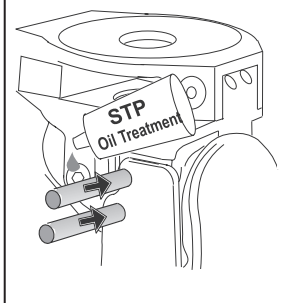
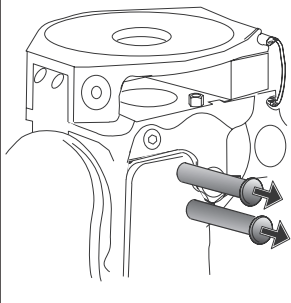
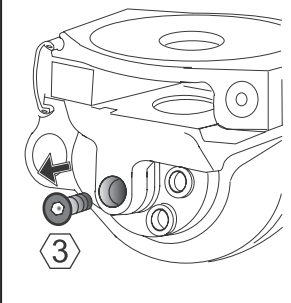
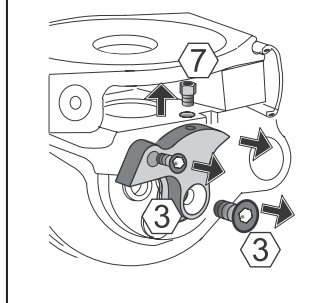
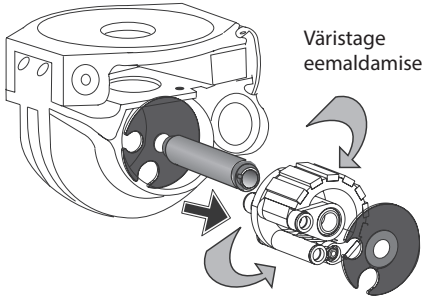
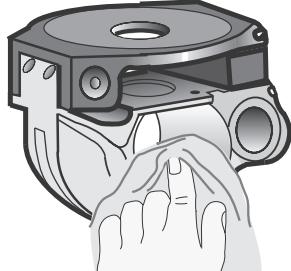


10.2 Sääreosa piirikute vahetamine



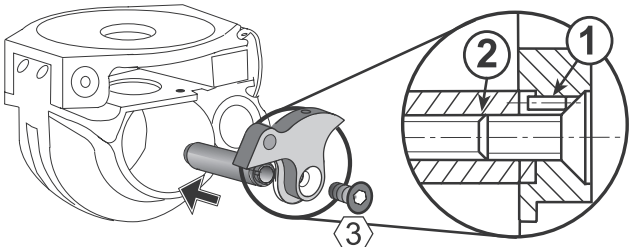
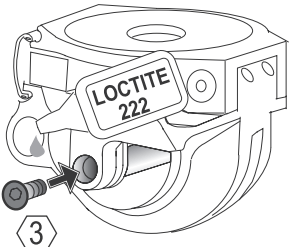
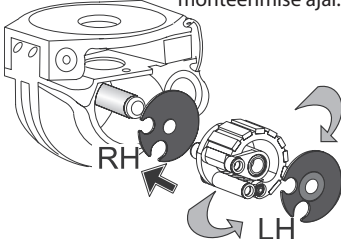
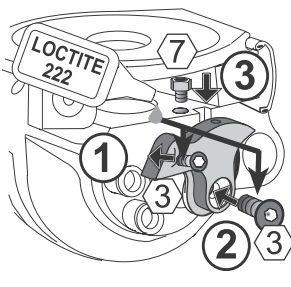
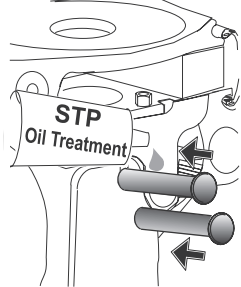
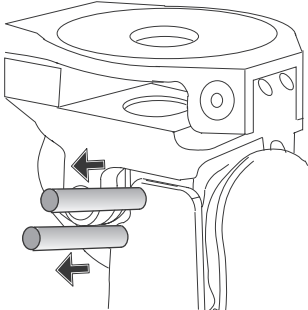
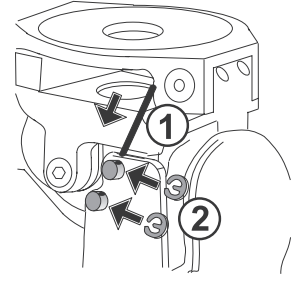
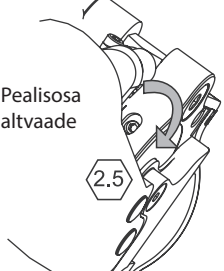
10.3 ESK+ mehhanismi eemaldamine

Käesoleva jaotise juhised on mõeldud ainult proteesimeistritele.

<p>1 Keerake eelpinge regulaator täiesti lahti ja märkige üles klõpsude arv.</p> <p>Pealisosa altvaade</p> 	<p>2</p> 	<p>3</p> 
<p>4</p> 	<p>5</p> 	<p>6</p> 
<p>7</p>  <p>Väristage eemaldamise ajal.</p> <p>Lintpidurit võib puhastada töökojapaberiga, ärge kasutage lahustit.</p>		<p>8</p>  <p>Puhastage õõnsust sobiva lahustiga.</p>

10.4 ESK+ mehhanismi vahetamine

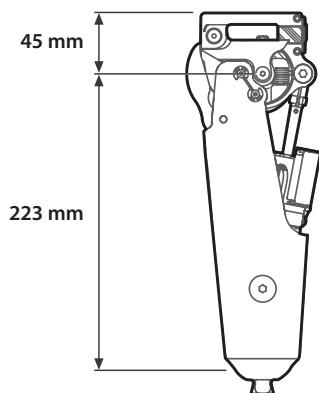
Käesoleva jaotise juhised on mõeldud ainult proteesimeistritele.

<p>1</p>  <p>Joondage küljeplaadi abil pöördetelje võlli (2) pilu tihvtiga (1), kuid ärge küljeplaati veel paigaldage.</p>	<p>2</p>  <p>Keerake võlli pealisosa sisse.</p>	
<p>3</p> <p>Väristage monteerimise ajal.</p>  <p>ORIENTATSIOON ON OLULINE! Lamedad küljed ja tähised (RH, LH) peavad jääma sissepoole.</p>	<p>4</p>  <p>LOCTITE 222</p>	<p>5</p>  <p>STP Oil Treatment</p>
<p>6</p> 	<p>7</p> 	<p>8</p> <p>Seadke eelpinge regulaator tagasi varem üles märgitud asendisse.</p>  <p>Pealisosa altvaade</p> <p>2.5</p>

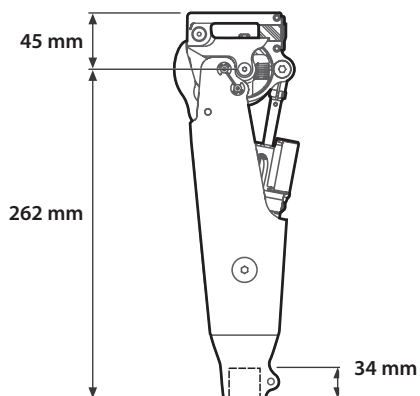
11 Tehnilised andmed

Kasutamise- ja hoiustamistemperatuur:	-15 °C kuni 50 °C
Komponendi mass:	
SmartIP	1,27 kg
PSPC	1,13 kg
Aktiivsusgrupp:	2–3, (4)
Kasutaja max kehakaal:	
Aktiivsusgrupp 2–3	125 kg
Aktiivsusgrupp 4	100 kg
Fleksiooni max nurk:	140°
Proksimaalne joendumust kohandada võimaldav kinnitus:	Ühepoldiline liides (Blatchford)
Distaalne joendumust kohandada võimaldav kinnitus:	30 mm toru fiksaator või pistikpüramiid (Blatchford)
Konstruksiooni kõrgus:	Vt järgnevaid jooniseid.

Sobituspikkus



ESK+ Stanceflex distaalse püramiidiga



ESK+ Stanceflex 30 mm distaalse toru fiksaatoriga

12 Tellimisteave

Näidistellimus

	ESK+ Stanceflex							
	30 mm distaalne toru fiksaator				Distaalne püramiid			
Pneumosil- inder	ESK	SF	P	30	ESK	SF	P	PYR
	ESK+	Stanceflex	PSPC	Distaalne toru fiksaator 30 mm	ESK+	Stanceflex	PSPC	Distaalne püramiid
SmartIP põlv	SMARTIP	SF		30	SMARTIP	SF		PYR
	SmartIP põlv	Stanceflex		Distaalne toru fiksaator 30 mm	SmartIP põlv	Stanceflex		Distaalne püramiid
Ilma juhtsi- lindrita	ESK	SF		30	ESK	SF		PYR
	ESK+	Stanceflex		Distaalne toru fiksaator 30 mm	ESK+	Stanceflex		Distaalne püramiid

Varuosad

Artikkel	Tootekood
Stanceflexi põlve koost	239149
ESK mehhanismi joondustihvt	234914
Eesmine piirik	234903
ESK+ stabilisaatormehhanismi komplekt	239949
Sääreosa piirik	233810

Stanceflexi kummielement

Artikkel	Tootekood
25° roosa (pehme)	231608
35° valge	231606
45° oranž (standardvarustuses)	231607
70° sinine (köva)	231609

Vastutus

Tootja soovib kasutada seadet üksnes nimetatud tingimustes ja kasutusotstarbel. Seadet tuleb hooldada kooskõlas seadme komplektis oleva kasutusjuhendiga. Tootja ei vastuta mingisuguste kõrvaltoimete eest, mis on põhjustatud komponentide kombinatsioonist, mida tootja pole heaks kiitnud.

CE-vastavus

Toode on kooskõlas Euroopa meditsiiniseadmete määruse EL 2017/745 nõuetega. Toode on liigitatud I klassi seadmeks vastavalt määruse VIII lisas toodud liigitamisreeglitele. Euroopa Liidu vastavusdeklaratsiooni saate alla laadida järgmiselt aadressilt: www.blatchford.co.uk



Meditsiiniseade



Üks patsient – mitu kasutuskorda

Ühilduvus

Kasutamine koos Blatchfordi toodetega on heaks kiidetud, tuginedes kooskõlas asjaomaste standardite ja meditsiiniseadmete direktiiviga tehtud katsetele (sh konstruktsioonikatse, mõõtmete ühilduvus ja toimivuse jälgimine praktikas).

Kasutamine koos mõne teise CE-märgisega tootega nõuab eelnevat dokumenteeritud kohalikku riskianalüüsi proteesimeistri poolt.

Garantii

Seadmel on 24-kuuline, lintpiduril 12-kuuline garantiiaeg.

Kasutaja peab olema teadlik sellest, et muudatused või täiendused, milleks pole saadud selgesõnalist luba, võivad garantii, kasutusload ja vabastused kehtetuks muuta.

Kõiki kehtivaid garantiitingimusi vt Blatchfordi veebisaidilt.

Ohujuhtumitest teatamine

Seadmega seotud ohujuhtumitest, mis on äärmiselt ebatõenäolised, tuleks teavitada tootjat ja oma riigi pädevat asutust.

Keskkonnaaspektid

Toode sisaldab hüdroöli, erinevaid metalle ja plastid. Kui võimalik, tuleks komponendid kooskõlas kohalike jäätmeäitluseeskirjadega ringlusse võtta.

Pakendi etiketi säilitamine

Proteesimeister peaks pakendi etiketi alles hoidma ning säilitama seda seadme tarnimise dokumendina.

Tootja registriaadress

Blatchford Products Limited, Lister Road, Basingstoke RG22 4AH, Ühendkuningriik.

Kaubamärgid

Blatchford on ettevõtte Blatchford Products Limited registreeritud kaubamärk.

blatchford.co.uk/distributors

Blatchford Products Ltd.

Unit D Antura
Kingsland Business Park
Basingstoke
RG24 8PZ
UNITED KINGDOM
Tel: +44 (0) 1256 316600
Fax: +44 (0) 1256 316710
Email: customer.service@blatchford.co.uk
www.blatchford.co.uk

Blatchford Inc.

1031 Byers Road
Miamisburg
Ohio 45342
USA
Tel: +1 (0) 800 548 3534
Fax: +1 (0) 800 929 3636
Email: info@blatchfordus.com
www.blatchfordus.com

Blatchford Europe GmbH

Am Prime-Parc 4
65479 Raunheim
GERMANY
Tel: +49 (0) 9221 87808 0
Fax: +49 (0) 9221/87808 60
Email: info@blatchford.de
www.blatchford.de

Email: contact@blatchford.fr
www.blatchford.fr

Endolite India Ltd.

A4 Naraina Industrial Area
Phase - 1
New Delhi
INDIA – 110028
Tel: +91 (011) 45689955
Fax: +91 (011) 25891543
Email: endolite@vsnl.com
www.endoliteindia.com

Ortopro AS

Hardangervegen 72
Seksjon 17
5224 Nesttun
NORWAY
Tel: +47 (0) 55 91 88 60
Email: post@ortopro.no
www.ortopro.no



Blatchford Europe GmbH
Am Prime-Parc 4
65479 Raunheim Germany

